

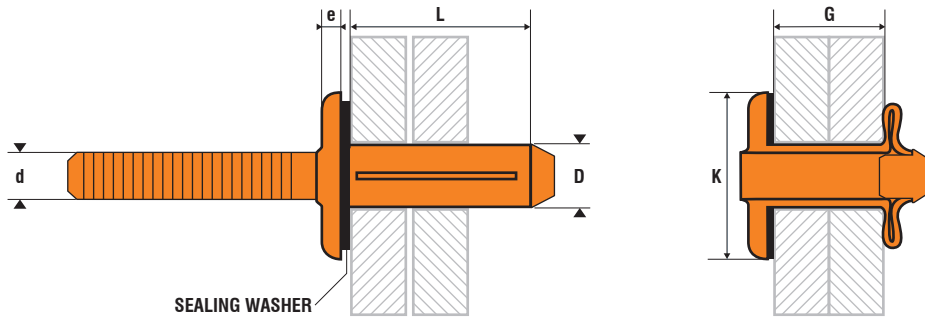
STANDARD RIVET TRIFORM RIVET - SEALING WASHER

WED 7.7



| EN | FR | PL | CZ | DE | IT | ES |
|---------------------------|--------------------------|----------------------------|----------------------|---------------------------|-----------------------------|---------------------------|
| Mandrel: Aluminium | Tige : Aluminium | Obudowa : Aluminium | Tm : Hliník | Dorn : Aluminium | Mandrino : Alluminio | Vástago : Aluminio |
| Body: Aluminium | Corps : Aluminium | Trzpień : Aluminium | Dřík : Hliník | Körper : Aluminium | Corpo : Alluminio | Cuerpo : Aluminio |
| Dome head | Tête plate | Kołnierz standardowy | Plochá hlava | Flachrundkopf | Testa tonda | Cabeza alomada |

For installation information please refer to the tooling overview and manuals on our website.



| D | L | G | | K | e | d | | | | | Référence |
|-----------------------|------|------|------|------|-----|-----|------|------|------|------|----------------|
| mm (inches) | mm | mm | | mm | mm | mm | N | N | mm | | |
| | | min. | max. | | | | | | min. | max. | |
| 7.7 (5/16") | 27.7 | 1.1 | 9.5 | 19.0 | 4.1 | 4.4 | 6650 | 4800 | Ø7.8 | Ø8.3 | WED7728 |

