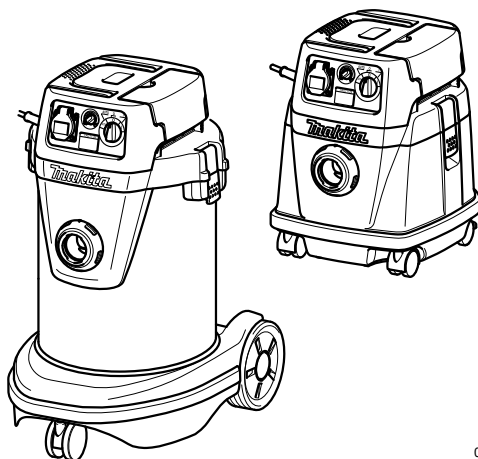




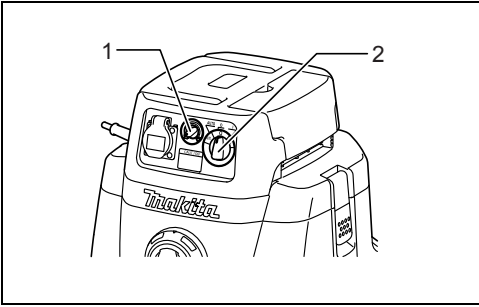
GB	Vacuum Cleaner	Instruction manual
F	Aspirateur	Manuel d'instructions
D	Absauggerät	Betriebsanleitung
I	Aspiratore	Istruzioni per l'uso
NL	Stofzuiger	Gebruiksaanwijzing
E	Aspiradora	Manual de instrucciones
P	Aspirador de Pó	Manual de instruções
DK	Støvsuger	Brugsanvisning
GR	Ηλεκτρική σκούπα	Οδηγίες χρήσης

VC1310L
VC2510L
VC3210L



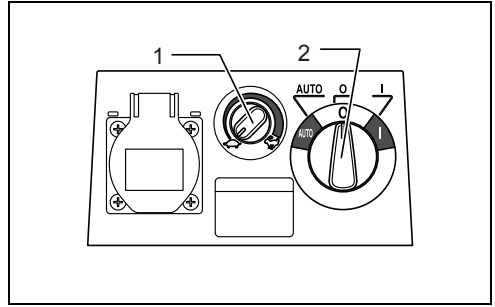
011586





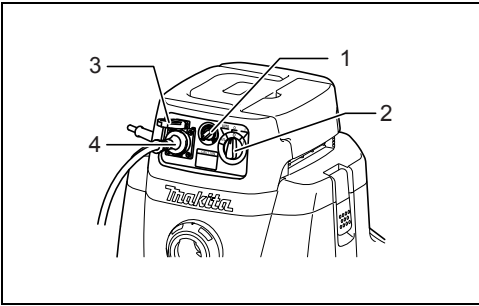
1

011593



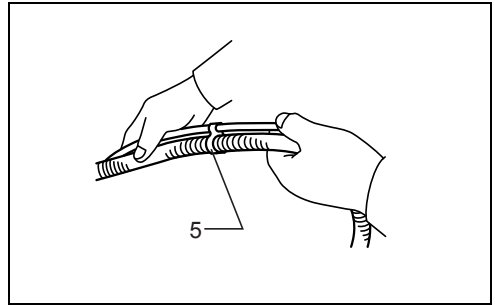
2

011594



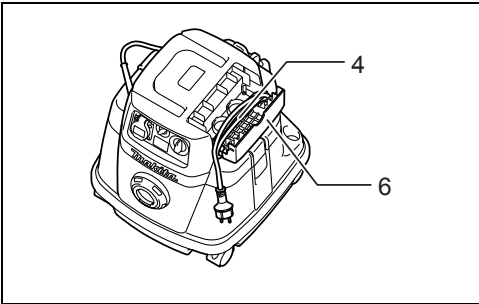
3

011595



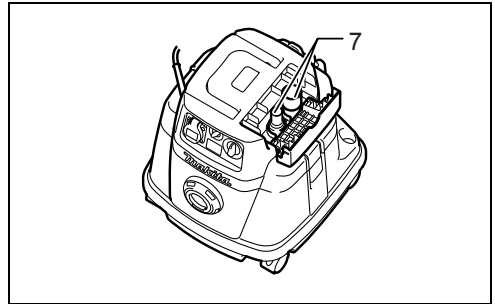
4

011609



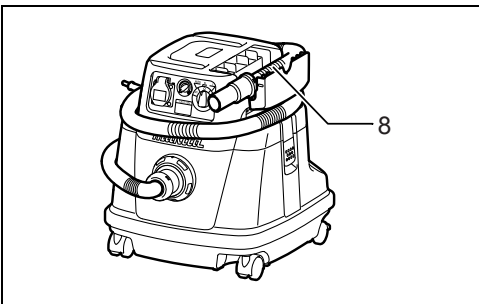
5

011597



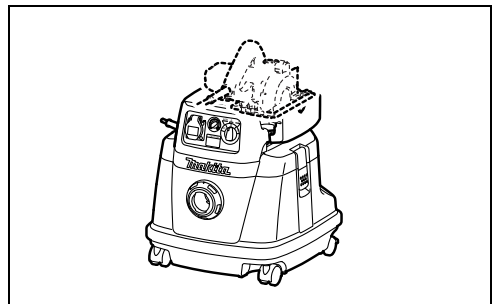
6

011598



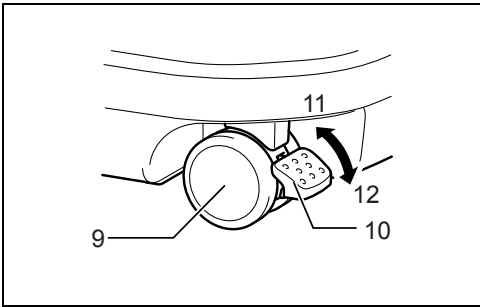
7

011599



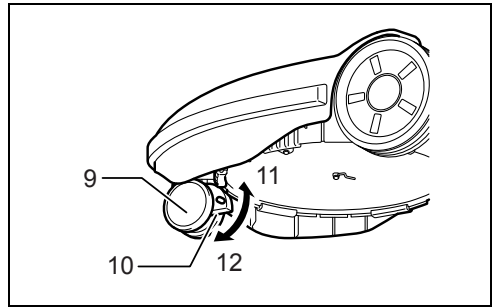
8

011645



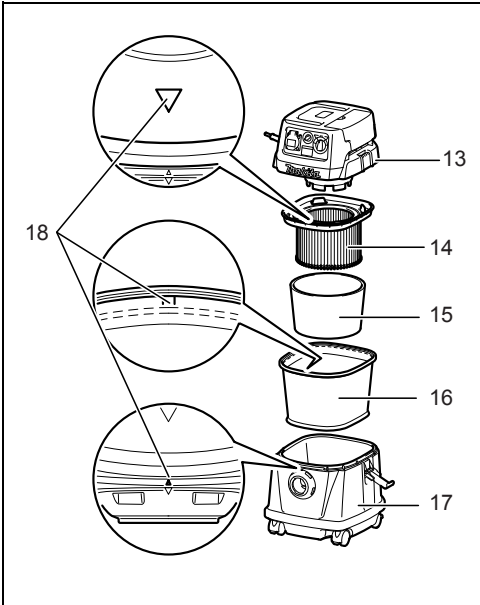
9

011611



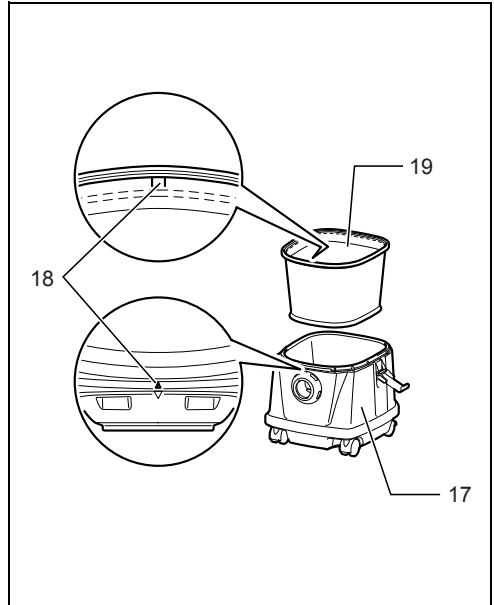
10

011615



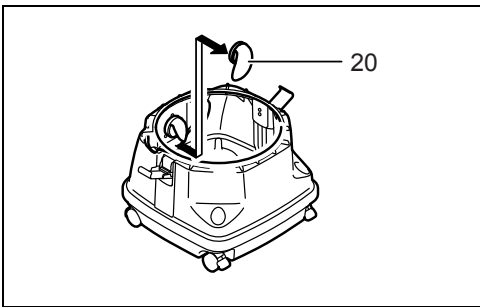
11

011637



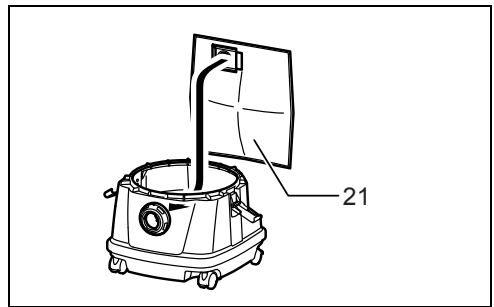
12

011630



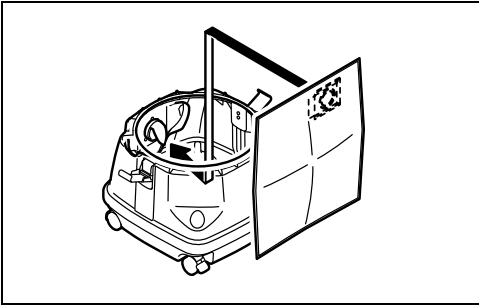
13

011638



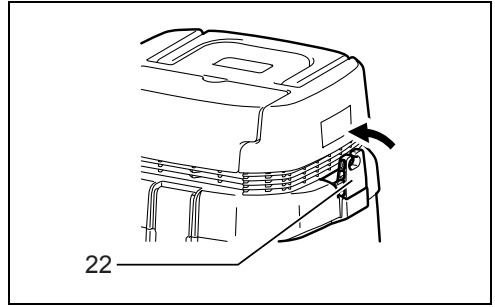
14

011588



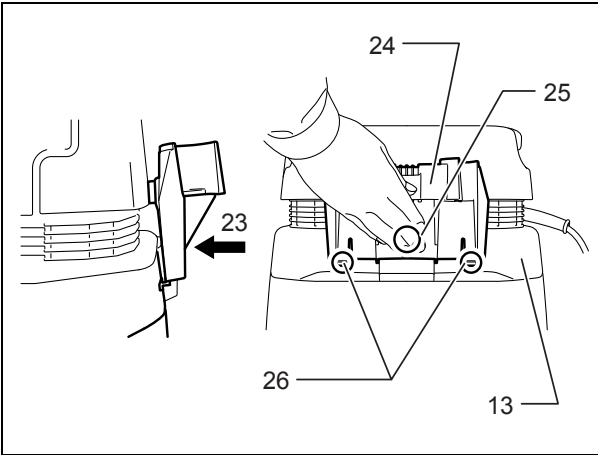
15

011589



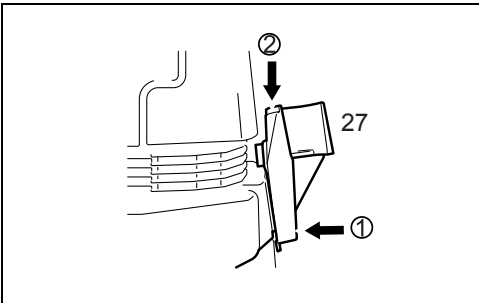
16

011604



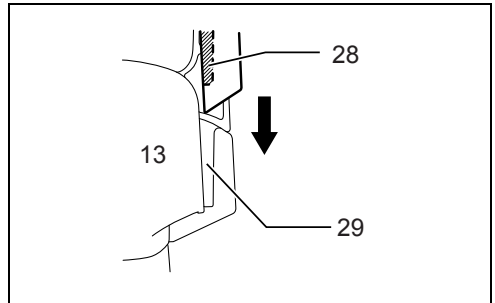
17

011605



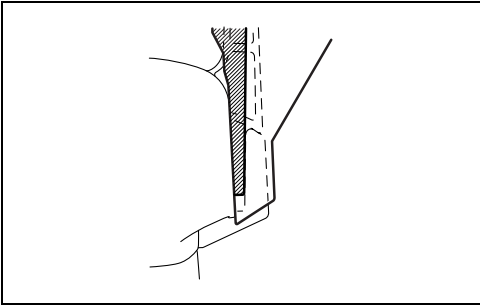
18

011606



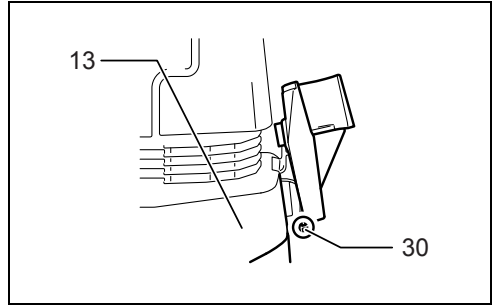
19

011607



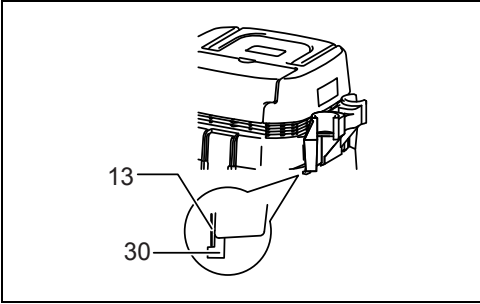
20

011608



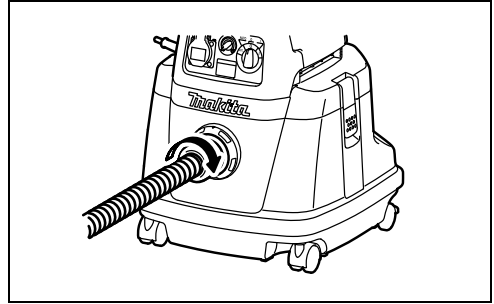
21

011631



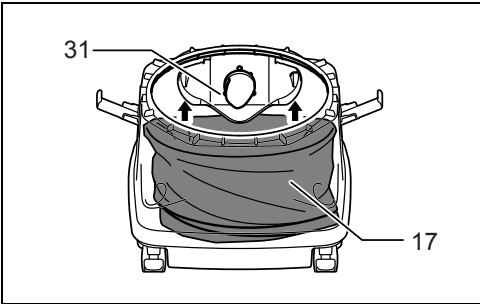
22

011632



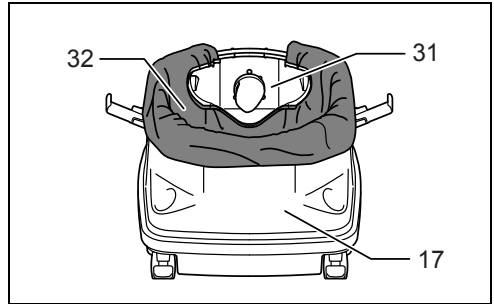
23

011590



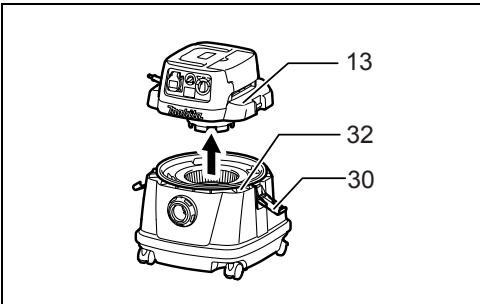
24

011591



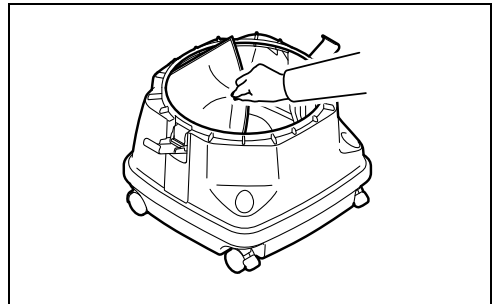
25

011592



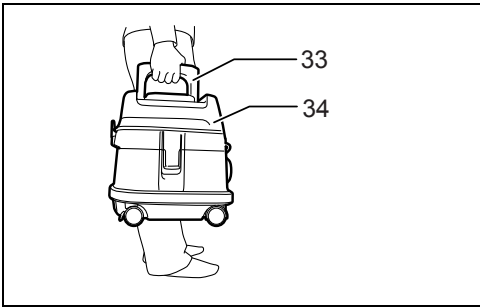
26

011600



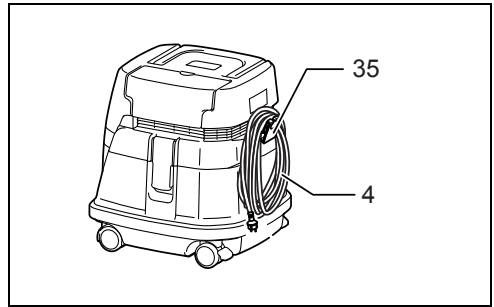
27

011602



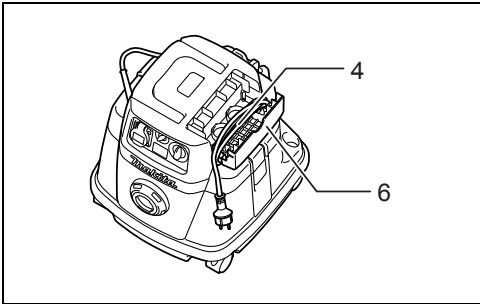
28

011610



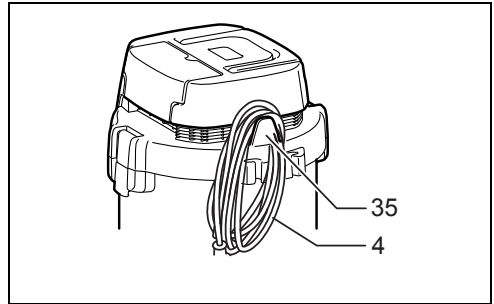
29

011633



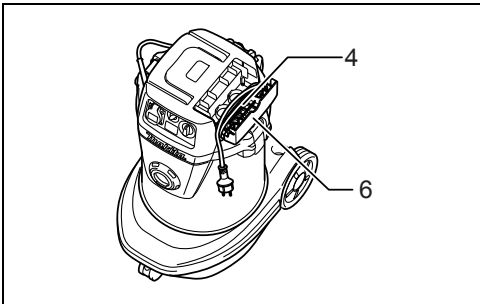
30

011597



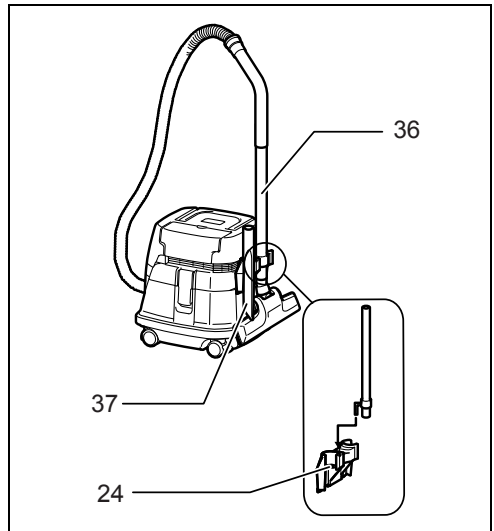
31

011635



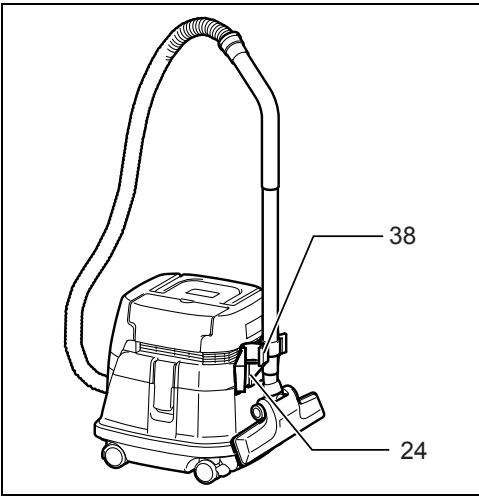
32

011634



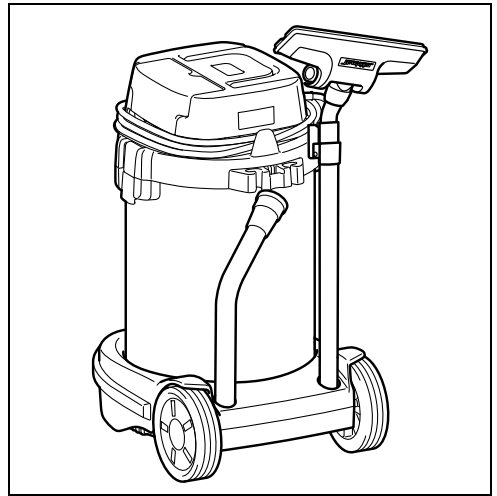
33

011612



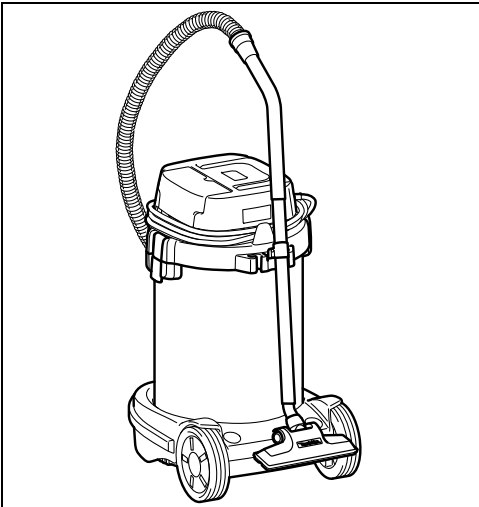
34

011613



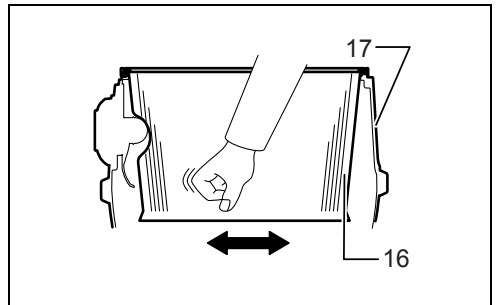
35

011622



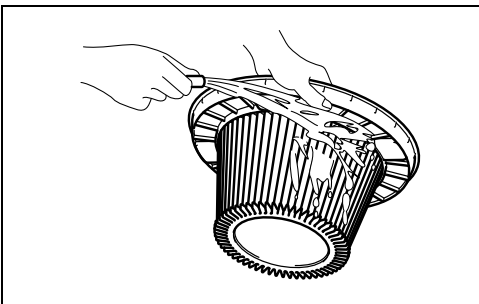
36

011623



37

011614



38



011601

ENGLISH (Original instructions)

Explanation of general view

- | | | |
|---------------------------------|-------------------------------|-----------------------------------|
| 1. Suction force adjusting knob | 14. Powder filter | 27. Press with a force and lower |
| 2. Switch lever | 15. Damper | 28. Protrusion of the pipe holder |
| 3. Cap | 16. Prefilter | 29. Groove |
| 4. Power supply cord | 17. Tank | 30. Hook |
| 5. Holder | 18. Mounting position marking | 31. Holder plate |
| 6. Base hook | 19. Water filter | 32. Polyethylene bag |
| 7. Front cuffs | 20. Rubber holder | 33. Handle |
| 8. Hose | 21. Paper pack | 34. Head |
| 9. Caster | 22. Cord hook | 35. Cord hook |
| 10. Stopper lever | 23. Press | 36. Straight pipe |
| 11. FREE position | 24. Pipe holder | 37. Corner nozzle |
| 12. LOCK position | 25. A section | 38. Stopper |
| 13. Tank cover | 26. Hooks | |

SPECIFICATIONS

Model		VC1310L / VC2510L / VC3210L					
		EU	AU/NZ	GB 110V	GB 230V	CL	AR/CH
Voltage	Volt	230 - 240	230 - 240	110	230 - 240	220	230 - 240
Power consumption	Watt	1,050	1,050	1,050	1,050	1,050	1,050
Connected load for appliance socket	Watt at  symbol mode	2,400	1,200	600	1,900	2,200	1,100
Connected load for appliance socket	Watt at  symbol mode	2,600	1,400	850	2,100	2,500	1,400
Total connected load	Watt	3,450	2,250	1,650	2,950	3,250	2,150

Model		VC1310L	VC2510L	VC3210L
Volume flow (air)		2.0 m ³ /min		
Vacuum		22 kPa		
Protection class		1		
Type of protection		IP X4 (splash-proof)		
Recoverable capacity	Dust	13L	25L	32L
	Water	7L	14L	27L
Dimensions (L x W x H)		366 mm x 334 mm x 420 mm	432 mm x 416 mm x 451 mm	552 mm x 398 mm x 685 mm
Net weight		9.6 kg	10.5 kg	14.5 kg

- Due to our continuing program of research and development, the specifications herein are subject to change without notice.
- Specifications may differ from country to country.
- Weight according to EPTA-Procedure 01/2003

Symbols

END108-5

The following show the symbols used for the equipment. Be sure that you understand their meaning before use.



..... Only for EU countries

Do not dispose of electric equipment together with household waste material! In observance of the European Directive, on Waste Electric and Electronic Equipment and its implementation in accordance with national law, electric equipment that have reached the end of their life must be collected separately and returned to an environmentally compatible recycling facility.



..... Read instruction manual.



..... Warning! The cleaner may contain hazardous dust.



..... Never stand on the cleaner.

Intended use

The tool is intended for collecting both wet and dry dust.

ENE016-1

Power supply

ENF001-1

The tool should be connected only to a power supply of the same voltage as indicated on the nameplate, and can only be operated on single-phase AC supply. This tool should be grounded while in use to protect the operator from electric shock. Use only three-wire extension cords which have three-prong grounding-type plugs and three-pole receptacles which accept the tool's plug.

VACUUM CLEANER SAFETY WARNINGS

ENB119-5

WARNING! IMPORTANT READ CAREFULLY all safety warnings and all instructions BEFORE USE.

Failure to follow the warnings and instructions may result in electric shock, fire and/or serious injury.

1. **Before use, make sure that this cleaner must be used by people who have been adequately instructed on the use of this cleaner.**
2. **Only use the socket outlet on the cleaner for purposes specified in the instructions.**
3. **If foam/liquid comes out, switch off immediately.**
4. **Clean the water level limiting device regularly and examine it for signs of damage.**
5. **Do not use the cleaner without the filter. Replace a damaged filter immediately.**
6. **USE OF EXTENSION CORD.** When using an extension cord because of the great distance to your power source, try to employ a cord that is sufficiently thick but not too long, or cleaner performance will be adversely affected. For outdoor applications use an extension cord suitable for outdoor use.
7. **VOLTAGE WARNING:** Before connecting the cleaner to a power source (receptacle, outlet, etc.) be sure the voltage supplied is the same as that specified on the nameplate of the cleaner. A power source with voltage greater than that specified for the cleaner can result in **SERIOUS INJURY** to the operator as well as damage to the cleaner. If in doubt, **DO NOT PLUG IN THE CLEANER.** Using a power source with voltage less than the nameplate rating is harmful to the motor.
8. **AVOID UNINTENTIONAL STARTING.** Be sure switch is OFF when plugging in.
9. **Do not attempt to pick up flammable materials, fire works, lighted cigarettes, hot ashes, hot metal chips, sharp materials such as razors, needles, broken glass or the like.**
10. **NEVER USE THE CLEANER IN THE VICINITY OF GASOLINE, GAS, PAINT, ADHESIVES OR OTHER HIGHLY EXPLOSIVE SUBSTANCES.** The switch emits sparks when turned ON and OFF. And so does the motor commutator during operation. A dangerous explosion may result.
11. **Never vacuum up toxic, carcinogenic, combustible or other hazardous materials such as asbestos, arsenic, barium, beryllium, lead, pesticides, or other health endangering materials.**
12. **Never use the cleaner outdoors in the rain.**
13. **Do not use close to heat sources (stoves, etc.).**
14. **GUARD AGAINST ELECTRIC SHOCK.** Prevent body contact with grounded surfaces. For example; pipes, radiators, ranges, refrigerator enclosures.
15. **Do not block cooling vents.** These vents permit cooling of the motor. Blockage should be carefully avoided otherwise the motor will burn out from lack of ventilation.
16. **Keep proper footing and balance at all times.**
17. **DO NOT ABUSE CORD.** Never carry the cleaner by cord or yank it to disconnect from receptacle. Keep cord away from heat, oil, and sharp edges. Inspect cleaner cords periodically and if damaged, have repaired by authorized service facility. Inspect extension cords periodically and replace if damaged.
18. **Do not fold, tug or step on the hose.**
19. **Stop the cleaner immediately if you notice poor performance or anything abnormal during operation.**
20. **DISCONNECT THE CLEANER.** When not in use, before servicing, and when changing accessories.
21. **Clean and service the cleaner immediately after each use to keep it in tiptop operating condition.**
22. **MAINTAIN THE CLEANER WITH CARE.** Keep the cleaner clean for better and safer performance. Follow instructions for changing accessories. Keep handles dry, clean, and free from oil and grease.
23. **CHECK DAMAGED PARTS.** Before further use of the cleaner, a guard or other part that is damaged should be carefully checked to determine that it will operate properly and perform its intended function. Check for alignment of moving parts, binding of moving parts, breakage of parts, mounting, and any other conditions that may affect its operation. A guard or other part that is damaged should be properly repaired or replaced by an authorized service center unless otherwise indicated elsewhere in this instruction manual. Have defective switches replaced by authorized service center. Don't use the cleaner if switch does not turn it on and off.
24. **REPLACEMENT PARTS.** When servicing, use only identical replacement parts.
25. **STORE IDLE CLEANER.** When not in use, the cleaner should be stored indoors.
26. **Be kind to your cleaner.** Rough handling can cause breakage of even the most sturdily built cleaner.
27. **Do not attempt to clean the exterior or interior with benzine, thinner or cleaning chemicals.** Cracks and discoloration may be caused.
28. **Do not use cleaner in an enclosed space where flammable, explosive or toxic vapors are given off by oil-base paint, paint-thinner, gasoline, some mothproofing substances, etc., or in areas where flammable dust is present.**
29. **Do not leave the cleaner cord lying on the floor after you have finished a cleaning job.** It can become a tripping hazard or may cause damage to the cleaner.
30. **Do not operate this or any tool while under the influence of drugs or alcohol.**
31. **As a basic rule of safety, use safety goggles or safety glasses with side shields.**

32. Use a dust mask in dusty work conditions.
33. This machine is not intended for use by persons including children with reduced physical, sensory or mental capabilities, or lack of experience and knowledge.
34. Young children should be supervised to ensure that they do not play with the cleaner.
35. Never handle plug cord or cleaner with wet hands.
36. Use extreme caution when cleaning on stairs.
37. Do not use the cleaner as a stool or work bench. The machine may fall down and may result in personal injury.

KEEP FOR FUTURE REFERENCE

WARNING:

DO NOT let comfort or familiarity with product (gained from repeated use) replace strict adherence to safety rules for the subject product. MISUSE or failure to follow the safety rules stated in this instruction manual may cause serious personal injury.

FUNCTIONAL DESCRIPTION

WARNING:

- Before plugging the cleaner, always make sure that the cleaner is switched off. Plugging the cleaner with the switch on may cause an unexpected start resulting in serious personal injury.

Switch action (Fig. 1)

To start the cleaner, rotate the switch lever to the "I" side. To stop it, rotate the switch lever to the "O" side.

The suction power can be adjusted according to your work need. (Fig. 2)

Suction power can be increased by turning the suction force adjusting knob from the ⇄ symbol to the ↻ symbol.

Connecting electric power tools

WARNING:

- Observe the maximum connected loads for the appliance socket (Refer to the SPECIFICATIONS.)
- Make sure that both the cleaner and the electric power tool are switched off before connecting or disconnecting. Connecting the power tool to the cleaner with both of them being switched on may cause unexpected and sudden start resulting serious personal injury.

When connecting a grounded tool, insert a plug with a grounding plate to the socket of the cleaner. (Fig. 3)

CAUTION:

- Never connect an electric power tool with an input power exceeding that specified in the "SPECIFICATIONS" to the socket of the cleaner by turning the suction force adjusting knob. Connecting the electric power tool exceeding the specified input power may cause overheat and damage to the cleaner. Refer to the specifications to avoid this.

The cleaner can be connected to an electric power tool up to input power shown in the "SPECIFICATIONS". To connect an electric power tool, open the cap and insert the power tool plug into the socket of the cleaner.

Rotate the switch lever to the "AUTO" position. (Fig. 2) Move the suction force adjusting knob to the position suitable for the input power of the electric power tool you intend to use. Refer to the SPECIFICATIONS for the relation between suction force adjusting knob and the electric power tool input power.

Switching on and off of the connected electric power tool simultaneously brings the cleaner switching on and off action. The cleaner still works for a few seconds even after the electric power tool is switched off.

After use, disconnect the power tool from the socket of cleaner.

Switch off the cleaner after use.

Auto-suction stop during suction operation

WARNING:

- Do not use for a long time while the float is at work. Using the cleaner with its float at work for a long time can cause overheat, resulting in the cleaner deformation.
- Do not pick up foam or soapy liquid. Picking up foam or soapy liquid can cause foam to come out of air exit before the float works. Continuing to using in this condition may cause an electric shock and breakage of the cleaner.

The cleaner has a float mechanism that prevents water from immersing into the motor when picking up more than a certain amount of water.

When the tank is full and the cleaner no longer picks up water, switch off the cleaner and empty the tank.

Installing the holder (Fig. 4)

When connecting an electric power tool, secure the power supply cord and hose using the holders at a 70 cm - 80 cm distance among the holders that are provided with the cleaner so that the hose is not entangled by the power supply cord.

Usage of base hook

CAUTION:

- Be careful not to pinch your fingers when closing the base hook. Failure to do so may cause personal injury.

NOTE:

- Do not apply an excessive force on the base hook. The excessive force on the base hook may damage the base hook. Close the base hook when not in use.

Opening the base hook allows the following usage.

1. Storing the power supply cord

NOTE:

- Do not use the cleaner or a connected electric power tool with a power supply cord wound on the base hook. Using the cleaner or the connected electric power tool with power supply cord may cause damage the power supply cord. (Fig. 5)

2. Storing the front cuffs

Front cuffs 22, 24 and 38 can be stored (up to two at a time.) (Fig. 6)

3. Storing the hose (Fig. 7)

4. Resting a reasonable size of electric power tool for the base hook, such as circular saw. (Fig. 8)

Locking or unlocking the caster

For Models VC1310L and VC2510L (Fig. 9)

For Model VC3210L (Fig. 10)

To lock the caster with a stopper, lower the stopper lever and the caster no longer will rotate. To release the caster from the locked position, raise the stopper lever.

Locking the caster is convenient when storing the cleaner, stopping the work on the way and keeping the cleaner still.

To operate the stopper, move it by hand.

NOTE:

- When moving the cleaner, make sure that the caster is unlocked. Moving the cleaner with the caster in the locked position may cause damage to the caster.

ASSEMBLY

⚠ CAUTION:

- Always be sure that the cleaner is switched off and unplugged before carrying out any work on the cleaner.

Installing the water filter (Fig. 11)

To pick up water or wet dust, remove prefilter and damper and then use water filter.

When installing the water filter on the tank, set it tight at the opening of the tank so that the hook of the water filter engages the tank opening firmly and there is no space between the water filter and the tank. (Fig. 12)

Also, install the water filter so that the mounting position marking can be aligned.

NOTE:

- Models VC2510L and VC3210L have no mounting position marking and no need to align it.

Installing the paper pack

⚠ WARNING:

- When using the paper pack, also use the prefilter together that is preinstalled on the tool. Failure to use the prefilter together may cause unusual noise and heat, resulting in a fire.

⚠ CAUTION:

- Never pick up water or other liquids or wet dusts when using the paper pack. Picking up such things may cause the paper pack breakage.

1. Remove the rubber holder. (Fig. 13)
2. Extend the paper pack.
3. Align the paper pack opening with the dust suction opening of the cleaner. (Fig. 14 & 15)
4. Insert the cardboard of the paper pack onto the too so that it is positioned at the end beyond the detent protrusion.

Installing the pipe holder (optional accessory)

For Model VC1310L only

Depress the cord hook as shown in the figure. (Fig. 16)

Attach the pipe holder onto the cord hook. (The hooks are away from the tank cover.)

Raise the pipe holder as far as the hooks contact the tank cover and press the A section of the pipe holder. (Fig. 17) Press the A section with a great force and with the A section so pressed lower the pipe holder. (Fig. 18)

Fit two protrusion of the pipe holder into the grooves of the tank cover and then press down the pipe holder. (Fig. 19 & 20)

NOTE:

- The pipe holder that is excessively lowered than the intended position cannot be installed on the cord hook with the hook away from the tank cover as shown in the figure. (Fig. 21)

NOTE:

- Make sure that the two hooks of the pipe holder are hooked on the tank cover securely. (Fig. 22)

Connecting a hose

⚠ CAUTION:

- Never force the hose for bending or stamp it. Never move the cleaner by a hose. Forcing, stamping and pulling the hose may cause a breakage or deformation of the hose.
- When picking up large wastes such as planer carvings, concrete dusts or similars other than small wastes, use the 38 mm inner diameter hose (optional accessory). Using the 28 mm inner diameter hose may cause a hose stuffing and damage.

Insert the hose onto the mounting port of the tank and turn it clockwise until it locks. (Fig. 23)

Installing polyethylene bag

Cleaner can also be used without polyethylene bag. However, using polyethylene bag is easier to empty the tank without letting your hands dirty.

Spread the polyethylene bag in the tank. Insert it between the holder plate and the tank, and pull it to the hose inlet. (Fig. 24)

Spread the bag around the top of the tank.

Hook up the other side of the bag around the top of the tank so that the prefilter hook can catch and hold it securely. (Fig. 25)

NOTE:

- A polyethylene bag available on the market can be used. The 0.04 mm or thicker one is recommended.
- Too much dust will tear the bag easily, so do not collect the dust more than the half of the bag capacity.

Emptying the polyethylene bag

⚠ WARNING:

- Always make sure that the cleaner is switched off and unplugged before emptying the polyethylene bag. Failure to do so may cause an electric shock and serious personal injury.

⚠ CAUTION:

- Do not apply a great impact on the powder filter and tank. Applying a great impact may cause deformation and damage to powder filter and tank.
- Empty the tank at least once a day although this depends on picked-up dust volume in the tank. Or, the

suction force will weaken and the motor may be broken.

- Do not grab the hook when emptying the tank. Grabbing the hook may cause the hook to break.

Unhook and lift up the tank cover. (Fig. 26)

Shake off the dust from powder filter, damper and prefilter and then take the polyethylene bag out of the tank. (Fig. 27)

NOTE:

- Take the polyethylene bag carefully out of the tank so that the polyethylene bag cannot be caught and torn by the protrusion inside the tank when emptying it.
- Empty the polyethylene bag before it becomes full. Too much dust in the tank may cause the polyethylene bag to be torn.

Installing powder filter (Fig. 11)

Place the prefilter in the tank.

Next, mount the damper on the powder filter and then place it in the prefilter.

When installing powder filter and prefilter, the mounting position marking on each of them are aligned with that one at the top of the tank.

Finally, mount the tank cover.

NOTE:

- Models VC2510L and VC3210L have no mounting position marking and no need to align it.
- Before using the powder filter, make sure that prefilter and damper are always used together. It is not allowed to install powder filter solely.
- Before using the paper pack, make sure that powder filter, damper and prefilter are always used together.

Carrying the cleaner (Fig. 28)

When carrying the cleaner, carry it by holding the handle on the head as shown in the figure. The handle is retractable at the head when not in use.

MAINTENANCE

⚠ CAUTION:

- Always be sure that the tool is switched off and unplugged before attempting to perform inspection or maintenance.

Storage of power supply cord

For Model VC1310L only (Fig. 29 & 30)

Pull out the cord hook or open the base hook. Wind up the power supply cord and hang it on the cord hook or wind it around the base hook.

NOTE:

- Do not force the power supply cord off the cord hook when trying to disconnect it from there. Forcing power supply cord to disconnect from the cord hook may cause damage to the cord.

For Models VC2510L and VC3210L (Fig. 31 & 32)

Wind up the power supply cord around the base hook.

Storage of accessories

NOTE:

- Do not apply an excessive force to the accessories that are held by the pipe holder. Applying an excessive force to these accessories may cause damage to the pipe holder.

For Model VC1310L only (Fig. 33)

Pipe holder can be used to store straight pipe, bent pipe, corner nozzle and similars by just inserting these accessories.

The pipes can be placed into the pipe holder when also stopping using the cleaner on the way for a while.

(Fig. 34)

For Models VC2510L and VC3210L (Fig. 35)

Pipe rest can be used to store straight pipe, bent pipe and others by just inserting these accessories. (Fig. 36)

The pipes can be placed into the pipe holder when also stopping using the cleaner on the way for a while.

Cleaning

⚠ CAUTION:

- Never use gasoline, benzine, thinner, alcohol or the like. Discoloration, deformation or cracks may result. Clogged powder filter, prefilter and damper cause poor suction performance. (Fig. 37)

Clean out the filters and dampers from time to time.

To remove dust or particles adhering to the filters, shake the frame bottom quickly several times.

Occasionally wash the powder filter in water, rinse and dry thoroughly in the shade before use. Never wash filters in a washing machine. (Fig. 38)

NOTE:

- Do not rub and scratch the powder filter, the prefilter or the damper with hard objects such as a brush and a paddle.
- The filters are consumable and are recommended to have some spares for them.

To maintain product SAFETY and RELIABILITY, repairs, any other maintenance or adjustment should be performed by Makita Authorized Service Centers, always using Makita replacement parts.

OPTIONAL ACCESSORIES

⚠ CAUTION:

- These accessories or attachments are recommended for use with your Makita tool specified in this manual. The use of any other accessories or attachments might present a risk of injury to persons. Only use accessory or attachment for its stated purpose.

If you need any assistance for more details regarding these accessories, ask your local Makita Service Center.

- Hose
- Front cuffs (22, 24, 38)
- Straight pipe
- Corner nozzle
- Round brush
- Powder filter (For dry type)
- Damper
- Prefilter
- Nozzle assembly
- Bent pipe

- Polyethylene bag
- Filter (For water)
- Paper pack
- Holder set
- Pipe holder (for Model VC1310L only)

NOTE:

- Some items in the list may be included in the tool package as standard accessories. They may differ from country to country.

Noise ENG905-1
 The typical A-weighted noise level determined according to EN/IEC60704:

Model VC1310L

Sound pressure level (L_{pA}): 72 dB (A)
 Uncertainty (K): 2.5 dB (A)

The noise level under working may exceed 80 dB (A).

Model VC2510L, VC3210L

Sound pressure level (L_{pA}): 73 dB (A)
 Uncertainty (K): 2.5 dB (A)

The noise level under working may exceed 80 dB (A).

Wear ear protection.

For European countries only ENH038-3

EC Declaration of Conformity

Makita declares that the following Machine(s):

Designation of Machine:

Vacuum Cleaner

Model No./ Type: VC1310L, VC2510L, VC3210L

Conforms to the following European Directives:

2006/42/EC

They are manufactured in accordance with the following standard or standardized documents:

EN60335

The technical file in accordance with 2006/42/EC is available from:

Makita, Jan-Baptist Vinkstraat 2, 3070, Belgium

31. 7. 2014



Yasushi Fukaya
 Director



Makita, Jan-Baptist Vinkstraat 2, 3070, Belgium

FRANÇAIS (Instructions d'origine)

Descriptif

- | | | |
|---|--------------------------------------|-------------------------------------|
| 1. Bouton de réglage de la puissance d'aspiration | 13. Couvercle du réservoir | 26. Fermoirs |
| 2. Levier de l'interrupteur | 14. Filtre à poudre | 27. Appuyez fortement puis abaissez |
| 3. Cache | 15. Humidificateur | 28. Renflement du support du tuyau |
| 4. Cordon d'alimentation | 16. Préfiltre | 29. Rainure |
| 5. Support | 17. Réservoir | 30. Crochet |
| 6. Compartiment de base | 18. Repère de la position de montage | 31. Plaque de support |
| 7. Manchons avant | 19. Filtre à eau | 32. Sac en polyéthylène |
| 8. Tuyau | 20. Support en caoutchouc | 33. Poignée |
| 9. Roulette | 21. Sac en papier | 34. Chapeau |
| 10. Levier de butée | 22. Crochet du cordon | 35. Crochet du cordon |
| 11. Position déverrouillée | 23. Appuyez | 36. Tuyau droit |
| 12. Position verrouillée | 24. Support du tuyau | 37. Embout d'angle |
| | 25. Section A | 38. Butée |

SPÉCIFICATIONS

Modèle		VC1310L / VC2510L / VC3210L					
		EU	AU/NZ	GB 110V	GB 230V	CL	AR/CH
Tension	Volt	230 - 240	230 - 240	110	230 - 240	220	230 - 240
Consommation électrique	Watt	1 050	1 050	1 050	1 050	1 050	1 050
Puissance raccordée pour la prise de l'appareil	Watt en mode 	2 400	1 200	600	1 900	2 200	1 100
Puissance raccordée pour la prise de l'appareil	Watt en mode 	2 600	1 400	850	2 100	2 500	1 400
Puissance raccordée totale	Watt	3 450	2 250	1 650	2 950	3 250	2 150

Modèle		VC1310L	VC2510L	VC3210L
Débit du volume (air)		2,0 m ³ /min		
Vide		22 kPa		
Classe de protection		1		
Type de protection		IP X4 (étanche aux projections)		
Capacité récupérable	Poussière	13 L	25 L	32 L
	Eau	7 L	14 L	27 L
Dimensions (L x P x H)		366 mm x 334 mm x 420 mm	432 mm x 416 mm x 451 mm	552 mm x 398 mm x 685 mm
Poids net		9,6 kg	10,5 kg	14,5 kg

- Étant donné l'évolution constante de notre programme de recherche et de développement, les spécifications contenues dans ce manuel sont sujettes à des modifications sans préavis.
- Les spécifications peuvent varier suivant les pays.
- Poids conforme à la procédure EPTA 01/2003

Symboles

END108-5

Les symboles utilisés pour l'appareil sont indiqués ci-dessous. Assurez-vous d'avoir bien compris leur signification avant d'utiliser l'appareil.



..... Pour les pays européens uniquement
 Ne pas jeter les appareils électriques dans les ordures ménagères !
 Conformément à la directive européenne relative aux déchets d'équipements électriques et électroniques (DEEE), et à sa transposition dans la législation nationale, les appareils électriques doivent être collectés à part et être soumis à un recyclage respectueux de l'environnement.



..... Reportez-vous au manuel d'instructions.



..... Avertissement ! L'aspirateur peut renfermer des poussières dangereuses.



..... Ne vous tenez jamais debout sur l'aspirateur.

Utilisations

ENE016-1

Cet appareil est destiné à recueillir les poussières humides et sèches.

Alimentation

ENF001-1

L'appareil ne doit être raccordé qu'à une alimentation de la même tension que celle figurant sur la plaque signalétique, et il ne peut fonctionner que sur un courant secteur monophasé. Cet appareil doit être mis à la terre lors de son fonctionnement afin de protéger l'opérateur contre les chocs électriques. Utilisez uniquement des rallonges à trois fils munies de fiches de mise à la terre à trois broches et de prises d'alimentation tripolaires compatibles avec la fiche de l'appareil.

CONSIGNES DE SÉCURITÉ CONCERNANT L'ASPIRATEUR

ENB119-5

AVERTISSEMENT ! IMPORTANT LISEZ

ATTENTIVEMENT toutes les consignes de sécurité et toutes les instructions AVANT D'UTILISER L'OUTIL.

Le non-respect des consignes et instructions peut entraîner un choc électrique, un incendie et/ou des blessures graves.

1. Avant de faire fonctionner l'aspirateur, assurez-vous qu'il doit être utilisé par des personnes correctement formées à l'utilisation de celui-ci.
2. Utilisez la prise de courant située sur l'aspirateur uniquement aux fins spécifiées dans les instructions.
3. En cas de fuite de mousse ou de liquide, éteignez immédiatement l'appareil.
4. Nettoyez régulièrement le limiteur de niveau d'eau et vérifiez qu'il n'est pas endommagé.
5. N'utilisez pas l'aspirateur sans son filtre. Si le filtre est endommagé, remplacez-le immédiatement.
6. UTILISATION DE LA RALLONGE. Si vous devez utiliser une rallonge en raison de l'éloignement de la source d'alimentation, essayez d'en trouver une suffisamment épaisse et pas trop longue, afin de ne pas altérer les performances de l'aspirateur. Pour les applications en extérieur, utilisez une rallonge adaptée à l'utilisation en extérieur.
7. AVERTISSEMENT RELATIF À LA TENSION : Avant de raccorder l'aspirateur à une source d'alimentation (prise, etc.), veillez à ce que la tension fournie soit identique à celle spécifiée sur la plaque signalétique de l'aspirateur. L'utilisation d'une source d'alimentation dont la tension est supérieure à celle spécifiée pour l'aspirateur risque de provoquer de GRAVES BLESSURES pour l'opérateur et d'endommager l'aspirateur. En cas de doute, NE BRANCHEZ PAS L'ASPIRATEUR. L'utilisation d'une source d'alimentation dont la tension est inférieure à celle indiquée sur la plaque signalétique est dangereuse pour le moteur.
8. ÉVITEZ TOUT DÉMARRAGE INVOLONTAIRE. Avant de brancher l'appareil, assurez-vous que l'interrupteur est en position d'arrêt.
9. Veillez à ne pas aspirer de matériaux inflammables, d'artifices, de cigarettes allumées, de cendres chaudes, de copeaux métalliques chauds, de matériaux tranchants, tels que des rasoirs, des aiguilles, du verre brisé ou tout autre produit similaire.
10. N'UTILISEZ JAMAIS L'ASPIRATEUR À PROXIMITÉ D'ESSENCE, DE GAZ, DE PEINTURE, D'ADHÉSIFS OU D'AUTRES SUBSTANCES FORTEMENT EXPLOSIVES. L'interrupteur émet des étincelles lors de son activation et sa désactivation. Le commutateur du moteur également pendant son fonctionnement. Une explosion dangereuse risque de se produire.
11. N'aspirez jamais de matériaux toxiques, cancérigènes, inflammables ou autrement dangereux, tels que l'amiante, l'arsenic, le baryum, le béryllium, le plomb, les pesticides ou autres produits dangereux pour la santé.
12. N'utilisez jamais l'aspirateur à l'extérieur sous la pluie.
13. Ne l'utilisez pas à proximité de sources de chaleur (poêles, etc.).
14. PROTÉGEZ-VOUS CONTRE LES CHOCS ÉLECTRIQUES. Évitez tout contact corporel avec les surfaces mises à la terre. Par exemple, les tuyaux, radiateurs, cuisinières et caisses de réfrigérateurs.
15. N'obstruez pas les grilles d'aération. Ces grilles permettent de refroidir le moteur. Toute obstruction doit être évitée, afin de ne pas brûler le moteur par manque de ventilation.
16. Assurez-vous d'avoir une bonne prise au sol et une bonne position d'équilibre à tout moment.
17. NE MALTRAITEZ PAS LE CORDON D'ALIMENTATION. Ne transportez jamais l'aspirateur par son cordon et ne tirez pas sur le cordon pour le débrancher de la prise. Maintenez le cordon à l'écart de la chaleur, de l'huile et des objets à bords tranchants. Inspectez le cordon de l'aspirateur régulièrement et faites-le réparer dans un centre de service agréé s'il est endommagé. Inspectez régulièrement les rallonges et remplacez-les si elles sont endommagées.
18. Ne pliez pas, n'appuyez pas fortement et ne marchez pas sur le tuyau.
19. Éteignez immédiatement l'aspirateur si vous vous apercevez qu'il aspire mal ou que quelque chose d'anormal se produit pendant son fonctionnement.
20. DÉBRANCHEZ L'ASPIRATEUR. Lorsque vous ne l'utilisez pas, avant d'effectuer son entretien et lors du remplacement d'accessoires.
21. Nettoyez et effectuez l'entretien de l'aspirateur immédiatement après chaque utilisation afin de le conserver en excellent état.
22. SOYEZ PRUDENT(E) LORS DE L'ENTRETIEN DE L'ASPIRATEUR. Maintenez l'aspirateur propre afin d'améliorer ses performances et de le rendre plus sûr. Suivez les instructions relatives au remplacement d'accessoires. Maintenez les poignées de l'appareil sèches, propres et exemptes d'huile ou de graisse.
23. ASSUREZ-VOUS QU'AUCUNE PIÈCE N'EST ENDOMMAGÉE. Avant d'utiliser à nouveau l'aspirateur, vous devez vérifier soigneusement l'absence de dommages sur le carter de

protection ou toute autre pièce, afin de vous assurer qu'il fonctionnera correctement et pourra exécuter le travail pour lequel il a été conçu.

Assurez-vous que les pièces en mouvement sont alignées et se déplacent librement, qu'aucune pièce n'est cassée, que les pièces sont correctement montées et qu'il n'y a aucune anomalie pouvant affecter le fonctionnement de l'appareil. Un carter de protection ou toute autre pièce endommagée doit être correctement réparé(e) ou remplacé(e) par un centre de service agréé, sauf indication contraire figurant dans le présent mode d'emploi. Les interrupteurs défectueux doivent être remplacés par un centre de service agréé. N'utilisez pas l'aspirateur si l'interrupteur ne permet pas de l'allumer et de l'éteindre.

24. **PIÈCES DE RECHANGE.** Seules des pièces de rechange identiques aux pièces d'origine doivent être utilisées lors de l'entretien.
25. **RANGÉZ TOUT ASPIRATEUR NON UTILISÉ.** Lorsque vous n'utilisez pas l'aspirateur, rangez-le en intérieur.
26. **Prenez soin de votre aspirateur.** Toute manipulation brusque risque de casser l'aspirateur le plus robuste.
27. **Ne tentez pas de nettoyer l'extérieur ou l'intérieur de l'aspirateur avec de l'essence, un diluant ou un nettoyant chimique.** Vous risqueriez de le fissurer ou de le décolorer.
28. **N'utilisez pas l'aspirateur dans un espace confiné dans lequel sont émises des vapeurs inflammables, explosives ou toxiques provenant de peintures à base d'huile, de diluant, d'essence, de substances anti-mites, etc., ou dans des lieux où se trouvent des poussières inflammables.**
29. **Ne laissez pas le cordon de l'aspirateur sur le sol après avoir terminé vos travaux de nettoyage.** Il pourrait vous faire trébucher ou endommager l'aspirateur.
30. **N'utilisez pas l'aspirateur ou tout autre appareil après avoir consommé des médicaments ou de l'alcool.**
31. **En matière de sécurité, une règle de base consiste à utiliser des lunettes étanches ou des lunettes de sécurité munies d'un écran latéral.**
32. **Utilisez un masque anti-poussières dans les environnements poussiéreux.**
33. **Cet appareil n'est pas prévu pour être utilisé par des personnes, notamment des enfants dont les facultés physiques, sensorielles ou mentales sont réduites, ou bien n'ayant pas l'expérience et les connaissances suffisantes.**
34. **Les jeunes enfants doivent être surveillés pour s'assurer qu'ils ne jouent pas avec l'aspirateur.**
35. **Ne manipulez jamais la prise du cordon ou l'aspirateur avec les mains mouillées.**
36. **Soyez extrêmement prudent(e) lors du nettoyage d'escaliers.**
37. **N'utilisez pas l'aspirateur comme un tabouret ou un établi.** Il pourrait tomber et entraîner des blessures corporelles.

CONSERVER POUR RÉFÉRENCE ULTÉRIEURE

⚠ AVERTISSEMENT :

NE vous laissez PAS tromper (au fil d'une utilisation répétée) par un sentiment d'aisance et de familiarité avec le produit, en négligeant le respect rigoureux des consignes de sécurité qui accompagnent l'outil. Une UTILISATION INCORRECTE de l'outil ou le non-respect des consignes de sécurité indiquées dans ce manuel d'instructions peuvent causer des blessures graves.

DESCRIPTION DU FONCTIONNEMENT

⚠ AVERTISSEMENT :

- **Avant de brancher l'aspirateur, assurez-vous toujours qu'il est éteint.** Le fait de brancher l'aspirateur alors que l'interrupteur est en position de marche risque de provoquer le démarrage involontaire de l'appareil et d'entraîner de graves blessures corporelles.

Interrupteur (Fig. 1)

Pour démarrer l'aspirateur, tournez le levier de l'interrupteur en position « I ». Pour l'éteindre, tournez le levier de l'interrupteur en position « O ».

Vous pouvez régler la puissance de l'aspiration en fonction de vos besoins. (Fig. 2)

Vous pouvez augmenter la puissance de l'aspiration en tournant le bouton de réglage correspondant depuis le symbole ↶ vers le symbole ↷.

Branchement d'appareils électriques

⚠ AVERTISSEMENT :

- Respectez les charges maximales à raccorder pour la prise de l'appareil (reportez-vous aux SPÉCIFICATIONS.)
 - Assurez-vous que l'aspirateur et l'appareil électrique sont éteints avant de les brancher ou de les débrancher. Si vous raccordez l'appareil électrique à l'aspirateur alors qu'ils sont tous les deux allumés, vous risquez de déclencher un démarrage involontaire et soudain, entraînant de graves blessures corporelles.
- Lors du raccordement d'un outil mis à la terre, insérez une fiche munie d'une prise de terre dans la prise de l'aspirateur. (Fig. 3)

⚠ ATTENTION :

- Ne raccordez jamais à la prise de l'aspirateur un appareil électrique dont la puissance d'entrée est supérieure à celle spécifiée dans les « SPÉCIFICATIONS » en tournant le bouton de réglage de la puissance d'aspiration. Si vous raccordez un appareil électrique présentant une puissance d'entrée supérieure à celle spécifiée, vous risquez de déclencher une surchauffe et d'endommager l'aspirateur. Pour éviter ce type de problème, reportez-vous aux spécifications.

Vous pouvez raccorder l'aspirateur à un appareil électrique dont la puissance d'entrée est conforme à celles indiquées dans les « SPÉCIFICATIONS ».

Pour raccorder un appareil électrique, ouvrez le couvercle et insérez la prise de l'appareil électrique dans la prise de l'aspirateur.

Tournez le levier de l'interrupteur en position « AUTO ».

(Fig. 2)

Déplacez le bouton de réglage de la puissance d'aspiration sur la position adéquate pour la puissance d'entrée de l'appareil électrique que vous prévoyez d'utiliser. Reportez-vous aux SPÉCIFICATIONS pour régler le bouton de réglage de la puissance d'aspiration selon la puissance d'entrée de l'appareil électrique. Le fait d'allumer et d'éteindre simultanément l'appareil électrique raccorde entraîne l'activation et la désactivation de l'aspirateur. L'aspirateur fonctionne encore pendant quelques secondes, même après la désactivation de l'appareil électrique.

Après avoir utilisé l'appareil électrique, débranchez-le de la prise de l'aspirateur.

Éteignez l'aspirateur après l'avoir utilisé.

Arrêt de l'aspiration automatique pendant le fonctionnement

AVERTISSEMENT :

- **N'utilisez pas l'appareil pendant une durée prolongée lors du fonctionnement du flotteur.**
L'utilisation prolongée de l'aspirateur lors du fonctionnement de son flotteur peut provoquer une surchauffe et entraîner une déformation de l'aspirateur.
- **N'aspirez pas de mousse ou de liquide savonneux.**
L'aspiration de mousse ou de liquide savonneux peut entraîner l'expulsion de la mousse avant le fonctionnement du flotteur. Si vous continuez à utiliser l'appareil dans cet état, vous risquez de provoquer un choc électrique et de casser l'aspirateur.

L'aspirateur est équipé d'un mécanisme à flotteur qui empêche l'eau de pénétrer dans le moteur lors de l'aspiration d'une quantité d'eau trop importante.

Lorsque le réservoir est plein et que l'aspirateur n'aspire plus d'eau, éteignez l'aspirateur et videz le réservoir.

Installation du support (Fig. 4)

Lors du raccordement d'un appareil électrique, sécurisez le cordon d'alimentation et le tuyau en espaçant les supports fournis avec l'aspirateur de 70 à 80 cm l'un de l'autre, de sorte que le tuyau ne soit pas emmêlé par le cordon d'alimentation.

Utilisation du compartiment de base

ATTENTION :

- **Veillez à ne pas vous pincer les doigts en fermant le compartiment de base.** Le non-respect de cette instruction peut provoquer des blessures corporelles.

REMARQUE :

- Ne forcez pas de manière excessive sur le compartiment de base. Vous risqueriez de l'endommager. Fermez le compartiment de base lorsque vous ne l'utilisez pas.

L'ouverture du compartiment de base permet d'effectuer les opérations suivantes.

1. Rangement du cordon d'alimentation

REMARQUE :

- **N'utilisez pas l'aspirateur ou un appareil électrique raccordé après avoir enroulé un cordon d'alimentation sur le compartiment de base.**
L'utilisation de l'aspirateur ou de l'appareil électrique raccordé avec le cordon d'alimentation risque d'endommager ce dernier. (Fig. 5)
- 2. **Rangement des manchons avant**
Les manchons avant 22, 24 et 38 peuvent être rangés (jusqu'à deux à la fois.) (Fig. 6)
- 3. **Rangement du tuyau (Fig. 7)**
- 4. **Pose d'un appareil électrique de dimensions raisonnables pour le compartiment de base, par exemple une scie circulaire. (Fig. 8)**

Blocage ou déblocage des roulettes

Pour les modèles VC1310L et VC2510L (Fig. 9)

Pour le modèle VC3210L (Fig. 10)

Pour bloquer les roulettes à l'aide d'une butée, abaissez le levier de la butée afin d'empêcher la roulette de tourner. Pour débloquer les roulettes, soulevez le levier de la butée.

Il est pratique de bloquer les roulettes lors du rangement de l'aspirateur, de l'interruption momentanée de l'aspiration et du maintien à l'arrêt de l'aspirateur. Pour bouger la butée, déplacez-la avec la main.

REMARQUE :

- Lors du déplacement de l'aspirateur, assurez-vous que les roulettes sont débloquées. Si vous déplacez l'aspirateur alors que les roulettes sont bloquées, vous risquez de les endommager.

ASSEMBLAGE

ATTENTION :

- Avant d'effectuer toute intervention sur l'aspirateur, assurez-vous toujours qu'il est hors tension et débranché.

Installation du filtre à eau (Fig. 11)

Pour aspirer de l'eau ou de la poussière humide, retirez le préfiltre et l'humidificateur, puis utilisez le filtre à eau.

Lors de l'installation du filtre à eau sur le réservoir, serrez-le à fond sur l'ouverture du réservoir, de sorte que le crochet du filtre à eau s'insère à fond dans l'ouverture du réservoir et qu'il n'y ait pas d'espace entre le filtre à eau et le réservoir. (Fig. 12)

Installez également le filtre à eau, de manière à l'aligner sur le repère de la position de montage.

REMARQUE :

- Les modèles VC2510L et VC3210L ne comportent aucun repère pour la position de montage car il n'est pas nécessaire de les aligner.

Installation du sac en papier

AVERTISSEMENT :

- Lors de l'utilisation du sac en papier, utilisez également le préfiltre préinstallé sur l'outil. La non utilisation du préfiltre risque de provoquer un bruit anormal et de la chaleur, puis de déclencher un incendie.

⚠ ATTENTION :

- N'aspirez jamais d'eau ou d'autres liquides ou bien des poussières humides lors de l'utilisation du sac en papier. L'aspiration de ces types de substance peut entraîner le déchirement du sac en papier.
1. Retirez le support en caoutchouc. (Fig. 13)
 2. Déployez le sac en papier.
 3. Alignez l'ouverture du sac en papier sur l'ouverture d'aspiration de la poussière de l'aspirateur. (Fig. 14 et 15)
 4. Insérez le carton du sac en papier sur l'appareil, de sorte qu'il se trouve à l'extrémité au-delà du renflement bloquant.

Installation du support du tuyau (accessoire fourni en option)

Pour le modèle VC1310L uniquement

Appuyez sur le crochet du cordon comme indiqué sur la figure. (Fig. 16)

Fixez le support du tuyau sur le crochet du cordon. (Les crochets sont toujours éloignés du couvercle du réservoir.)

Soulevez le support du tuyau jusqu'à ce que les crochets entrent en contact avec le couvercle du réservoir et appuyez sur la partie A du support du tuyau. (Fig. 17)

Appuyez fortement sur la section A et maintenez-la appuyée tout en abaissant le support du tuyau. (Fig. 18)

Insérez les deux renflements du support du tuyau dans les rainures du couvercle du réservoir, puis appuyez sur le support du tuyau. (Fig. 19 et 20)

REMARQUE :

- Si le support du tuyau est trop abaissé par rapport à la position prévue, il ne peut pas être installé sur le crochet du cordon, qui se trouve éloigné du couvercle du réservoir, comme illustré sur la figure. (Fig. 21)

REMARQUE :

- Assurez-vous que les deux crochets du support du tuyau sont bien attachés au couvercle du réservoir. (Fig. 22)

Raccordement d'un tuyau

⚠ ATTENTION :

- Ne forcez jamais sur le tuyau pour le courber ou le marquer. Le déplacez jamais l'aspirateur en le tirant par le tuyau. Si vous forcez, marquez et tirez sur le tuyau, vous risquez de le casser ou de le déformer.
- Lors de l'aspiration de gros déchets, tels que des copeaux, des morceaux de béton ou des substances similaires qui ne sont pas de petits déchets, utilisez le tuyau de 38 mm de diamètre interne (accessoire fourni en option). L'utilisation du tuyau de 28 mm de diamètre interne peut provoquer l'obturation et l'endommagement du tuyau.

Insérez le tuyau dans le port de montage du réservoir et tournez-le dans le sens horaire jusqu'à ce qu'il se bloque. (Fig. 23)

Installation du sac en polyéthylène

Vous pouvez également utiliser l'aspirateur sans sac en polyéthylène. Toutefois, l'utilisation d'un sac en

polyéthylène facilite le vidage du réservoir tout en évitant de se salir les mains.

Étalez le sac en polyéthylène dans le réservoir. Insérez-le entre la plaque du support et le réservoir et tirez-le vers l'entrée du tuyau. (Fig. 24)

Étalez le sac autour de la partie supérieure du réservoir.

Accrochez l'autre côté du sac autour de la partie supérieure du réservoir, de sorte que le crochet du préfiltre puisse l'accrocher et le bien le maintenir. (Fig. 25)

REMARQUE :

- Vous pouvez utiliser un sac en polyéthylène disponible dans le commerce. Il est recommandé d'utiliser un sac d'une épaisseur de 0,04 mm au moins.
- Une quantité de poussière trop importante déchirera aisément le sac, donc ne remplissez pas le sac de plus de la moitié de sa capacité en poussière.

Vidage du sac en polyéthylène

⚠ AVERTISSEMENT :

- Assurez-vous toujours que l'aspirateur est éteint et débranché avant de vider le sac en polyéthylène. Le non respect de cette recommandation provoquera un choc électrique et de graves blessures corporelles.

⚠ ATTENTION :

- N'appuyez pas fortement sur le filtre à poudre et sur le réservoir. Une pression trop importante risque de déformer et d'endommager le filtre à poudre et le réservoir.
- Videz le réservoir au moins une fois par jour, même si cela dépend du volume de poussière aspirée dans le réservoir. Si cela n'est pas fait, la puissance d'aspiration sera amoindrie et le moteur risquera de se casser.
- Ne tirez pas sur le crochet lorsque vous videz le réservoir. Vous risqueriez de le casser.

Décrochez et soulevez le couvercle du réservoir. (Fig. 26)

Secouez la poussière du filtre à poudre, de l'humidificateur et du préfiltre, puis sortez le sac en polyéthylène du réservoir. (Fig. 27)

REMARQUE :

- Au moment de vider le sac en polyéthylène, sortez-le du réservoir avec précaution, de sorte qu'il ne puisse pas être happé et déchiré par le renflement à l'intérieur du réservoir.
- Videz le sac en polyéthylène avant qu'il soit plein. Une quantité trop importante de poussière dans le réservoir peut entraîner la déchirure du sac en polyéthylène.

Installation du filtre à poudre (Fig. 11)

Placez le préfiltre dans le réservoir.

Ensuite, installez l'humidificateur sur le filtre à poudre, puis placez-le dans le préfiltre.

Lors de l'installation du filtre à poudre et du préfiltre, les repères pour la position de montage de chacun d'eux sont alignés sur ceux indiqués en haut du réservoir.

Enfin, installez le couvercle du réservoir.

REMARQUE :

- Les modèles VC2510L et VC3210L ne comportent aucun repère pour la position de montage car il n'est pas nécessaire de les aligner.
- Avant d'utiliser le filtre à poudre, assurez-vous que le préfiltre et l'humidificateur sont toujours utilisés

conjointement. Il est interdit d'installer le filtre à poudre uniquement.

- Avant d'utiliser le sac en papier, assurez-vous que le filtre à poudre, l'humidificateur et le préfiltre sont toujours utilisés conjointement.

Transport de l'aspirateur (Fig. 28)

Pour transporter l'aspirateur, tenez la poignée située sur le chapeau, comme illustré sur la figure. Lorsque vous n'utilisez pas la poignée, vous pouvez la rétracter sur le chapeau.

ENTRETIEN

ATTENTION :

- Assurez-vous toujours que l'outil est hors tension et débranché avant d'y effectuer tout travail d'inspection ou d'entretien.

Rangement du cordon d'alimentation

Pour le modèle VC1310L uniquement (Fig. 29 et 30)

Extrayez le crochet du cordon ou ouvrez le compartiment de base. Enroulez le cordon d'alimentation et suspendez-le sur le crochet du cordon ou bien enroulez-le autour du compartiment de base.

REMARQUE :

- Ne forcez pas sur le cordon d'alimentation pour le retirer du crochet lorsque vous tentez de le débrancher. Si vous forcez sur le cordon d'alimentation pour le retirer du crochet, vous risquez de l'endommager.

Pour les modèles VC2510L et VC3210L (Fig. 31 et 32)

Enroulez le cordon d'alimentation autour du compartiment de base.

Rangement des accessoires

REMARQUE :

- N'appliquez pas une force excessive aux accessoires maintenus par le support du tuyau. L'application d'une force excessive à ces accessoires risque d'endommager le support du tuyau.

Pour le modèle VC1310L uniquement (Fig. 33)

Le support du tuyau peut être utilisé pour ranger le tuyau droit, le tuyau courbé, l'embout d'angle et d'autres éléments similaires grâce à la simple insertion de ces accessoires.

Les tuyaux peuvent être placés dans le support du tuyau en cas de non utilisation de l'aspirateur pendant un certain temps. (Fig. 34)

Pour les modèles VC2510L et VC3210L (Fig. 35)

Le support du tuyau peut être utilisé pour ranger le tuyau droit, le tuyau courbé et d'autres éléments similaires grâce à la simple insertion de ces accessoires. (Fig. 36)
Les tuyaux peuvent être placés dans le support du tuyau en cas de non utilisation de l'aspirateur pendant un certain temps.

Nettoyage

ATTENTION :

- N'utilisez jamais d'essence, de benzine, de diluant, d'alcool ou de produit similaire. Ces produits risquent

de provoquer des décolorations, des déformations ou des fissures.

Si le filtre à poudre, le préfiltre ou l'humidificateur sont bouchés, les performances d'aspiration seront amoindries. (Fig. 37)

Nettoyez les filtres et les humidificateurs de temps en temps.

Pour retirer la poussière ou les particules collées aux filtres, secouez plusieurs fois la partie inférieure du châssis.

Lavez de temps à autre le filtre à poudre dans de l'eau, rincez-le et séchez-le bien à l'ombre avant de l'utiliser. Ne lavez jamais les filtres dans une machine à laver. (Fig. 38)

REMARQUE :

- Ne frottez pas et ne rayez pas le filtre à poudre, le préfiltre ou l'humidificateur avec des objets durs tels qu'une brosse ou une spatule.
- Les filtres sont des consommables et il est recommandé d'en avoir de rechange.

Pour maintenir la SÉCURITÉ et la FIABILITÉ du produit, les réparations, tout autre travail d'entretien ou de réglage doivent être effectués dans un centre de service Makita agréé, exclusivement avec des pièces de rechange Makita.

ACCESSOIRES FOURNIS EN OPTION

ATTENTION :

- Ces accessoires ou pièces complémentaires sont recommandés pour être utilisés avec l'outil Makita spécifié dans ce mode d'emploi. L'utilisation de tout autre accessoire ou pièce complémentaire peut comporter un risque de blessure. N'utilisez les accessoires ou pièces qu'aux fins auxquelles ils ont été conçus.

Pour obtenir plus de détails sur ces accessoires, contactez votre Centre de service local Makita.

- Tuyau
- Manchons avant (22, 24, 38)
- Tuyau droit
- Embout d'angle
- Brosse ronde
- Filtre à poudre (pour le type sec)
- Humidificateur
- Préfiltre
- Ensemble de l'embout
- Tuyau courbé
- Sac en polyéthylène
- Filtre (pour l'eau)
- Sac en papier
- Ensemble du support
- Support du tuyau (pour le modèle VC1310L uniquement)

REMARQUE :

- Certains éléments de la liste peuvent être inclus en tant qu'accessoires standard dans le coffret de l'outil envoyé. Ils peuvent varier suivant les pays.

Bruit

ENG905-1

Les niveaux de bruit pondéré A typiques ont été mesurés selon la norme EN/IEC60704 :

Modèle VC1310LNiveau de pression sonore (L_{pA}) : 72 dB (A)

Incertitude (K) : 2,5 dB (A)

Le niveau de bruit peut dépasser 80 dB (A) lors de l'utilisation.

Modèles VC2510L, VC3210LNiveau de pression sonore (L_{pA}) : 73 dB (A)

Incertitude (K) : 2,5 dB (A)

Le niveau de bruit peut dépasser 80 dB (A) lors de l'utilisation.

Portez des protections auditives.**Pour les pays d'Europe uniquement**

ENH038-3

Déclaration de conformité CE**Makita déclare que la/les machine(s) suivante(s) :**

Nom de la machine :

Aspirateur

N° de modèle/Type : VC1310L, VC2510L, VC3210L

sont conformes aux directives européennes**suivantes :**

2006/42/CE

sont produites conformément aux normes ou documents de normalisation suivants :

EN60335

Le dossier technique conforme à la norme 2006/42/CE

est disponible auprès de :

Makita, Jan-Baptist Vinkstraat 2, 3070, Belgique

31. 7. 2014



Yasushi Fukaya

Directeur



Makita, Jan-Baptist Vinkstraat 2, 3070, Belgique

DEUTSCH (Originalanweisungen)

Erläuterung der Gesamtdarstellung

- | | | |
|--------------------------------|---|---------------------------------------|
| 1. Einstellknopf für Saugkraft | 14. Staubfilter | 26. Haken |
| 2. Schalter | 15. Feuchtefilter | 27. Mit Kraft drücken und absenken |
| 3. Kappe | 16. Vorfilter | 28. Vorstehender Teil des Rohrhalters |
| 4. Stromkabel | 17. Behälter | 29. Nut |
| 5. Halter | 18. Markierung der Befestigungsposition | 30. Haken |
| 6. Werkzeughalter | 19. Wasserfilter | 31. Halteplatte |
| 7. Vordere Manschetten | 20. Gummihalter | 32. Polyethylenbeutel |
| 8. Schlauch | 21. Papiertüte | 33. Griff |
| 9. Rolle | 22. Kabelhalter | 34. Haube |
| 10. Stopperhebel | 23. Drücken | 35. Kabelhalter |
| 11. Position ENTRIEGELT | 24. Rohrhalter | 36. Gerades Rohr |
| 12. Position VERRIEGELT | 25. Abschnitt A | 37. Eckendüse |
| 13. Behälterdeckel | | 38. Stopper |

TECHNISCHE DATEN

Modell		VC1310L / VC2510L / VC3210L					
		EU	AU/NZ	GB 110V	GB 230V	CL	AR/CH
Spannung	Volt	230 - 240	230 - 240	110	230 - 240	220	230 - 240
Leistungsaufnahme	Watt	1.050	1.050	1.050	1.050	1.050	1.050
Anschließbare Last für Gerätesteckdose	Watt im Modus 	2.400	1.200	600	1.900	2.200	1.100
Anschließbare Last für Gerätesteckdose	Watt im Modus 	2.600	1.400	850	2.100	2.500	1.400
Leistungsaufnahme gesamt	Watt	3.450	2.250	1.650	2.950	3.250	2.150



Modell		VC1310L	VC2510L	VC3210L
Volumenstrom (Luft)		2,0 m ³ /min		
Unterdruck		22 kPa		
Schutzklasse		1		
Schutzart		IP X4 (geschützt gegen allseitiges Spritzwasser)		
Aufnahmefähigkeit	Staub	13 L	25 L	32 L
	Wasser	7 L	14 L	27 L
Abmessungen (L x B x H)		366 mm x 334 mm x 420 mm	432 mm x 416 mm x 451 mm	552 mm x 398 mm x 685 mm
Nettogewicht		9,6 kg	10,5 kg	14,5 kg


- Aufgrund unserer beständigen Forschungen und Weiterentwicklungen sind Änderungen an den hier angegebenen Technischen Daten ohne Vorankündigung vorbehalten.
- Die Technischen Daten können in den einzelnen Ländern voneinander abweichen.
- Gewicht entsprechend EPTA-Verfahren 01/2003

Symbole

END108-5

Im Folgenden sind die im Zusammenhang mit diesem Gerät verwendeten Symbole dargestellt. Machen Sie sich vor der Benutzung des Geräts unbedingt mit diesen Symbolen vertraut!

  ... Lesen Sie die Bedienungsanleitung!

 Warnung! Im Staubsauger befindet sich möglicherweise gesundheitsgefährlicher Staub.



..... Stellen Sie sich niemals auf den Staubsauger!



..... Nur für EU-Länder
Werfen Sie Elektrowerkzeuge nicht in den Hausmüll!
Gemäß der Europäischen Richtlinie über Elektro- und Elektronik-Altgeräte und ihrer Umsetzung in nationales Recht müssen verbrauchte Elektrowerkzeuge getrennt gesammelt und einer umweltgerechten Wiederverwertung zugeführt werden.

Verwendungszweck

ENE016-1

Das Gerät wurde für das Sammeln von trockenem und feuchtem Staub entwickelt.

Stromversorgung

ENF001-1

Das Gerät darf nur an eine Stromversorgung mit Einphasen-Wechselstrom mit der auf dem Typenschild angegebenen Spannung angeschlossen werden. Während der Verwendung muss dieses Werkzeug ordnungsgemäß geerdet sein, um Personen, insbesondere den Bediener, vor einem Stromschlag zu schützen. Verwenden Sie nur dreidrigge Verlängerungskabel mit Schutzleiter und Schuko-Steckern und Schuko-Steckdosen, die dem Schuko-Stecker des Geräts entsprechen.

SICHERHEITSHINWEISE ZUM ABSAUGGERÄT

ENB119-5

⚠️ WARNUNG! WICHTIG: LESEN SIE VOR DER BENUTZUNG alle Sicherheitshinweise und Anleitungen SORGFÄLTIG DURCH. Bei Nichtbeachten dieser Warnungen und Anweisungen kann es zu einem Stromschlag, einem Brand und/oder schweren Verletzungen kommen.

1. **Stellen Sie vor der Nutzung sicher, dass dieses Absauggerät ausschließlich von Personen bedient wird, die ordnungsgemäß in die Nutzung und in die Bedienung dieses Absauggeräts eingewiesen wurden.**
2. **Verwenden Sie die Steckdose am Absauggerät ausschließlich für den in der Anleitung vorgegebenen Zweck.**
3. **Falls Schaum oder Flüssigkeit austritt, sofort ausschalten.**
4. **Reinigen Sie den Wasserstandbegrenzer regelmäßig, und kontrollieren Sie den Begrenzer auf Anzeichen von Schäden.**
5. **Verwenden Sie das Absauggerät nur mit eingesetztem Filter. Ersetzen Sie einen beschädigten Filter unverzüglich.**
6. **VERWENDEN VON VERLÄNGERUNGSKABELN:** Bei Verwendung eines Verlängerungskabels aufgrund der Entfernung zur nächstgelegenen Stromquelle ist ein Kabel mit möglichst kurzer Länge und ausreichendem Leiterquerschnitt zu verwenden, da andernfalls die Leistung des Absauggeräts sinken kann. Verwenden Sie im Freien ausschließlich Verlängerungskabel, die für die Verwendung im Freien zugelassen sind.
7. **WARNUNG! – HOCHSPANNUNG:** Stellen Sie vor dem Anschließen des Absauggeräts an eine Stromversorgung (Steckdose) sicher, dass die Spannung der Stromversorgung der auf dem Typenschild des Absauggeräts angegebenen Spannung entspricht. Bei Anschluss an eine Stromversorgung mit einer höheren als der angegebenen Spannung kann es zu **SCHWEREN VERLETZUNGEN** des Benutzers des Absauggeräts sowie zu Schäden am Absauggerät kommen. Wenn Sie sich nicht im Klaren über die Spannung sind, **SCHLIESSEN SIE DAS ABSAUGGERÄT NICHT AN.** Bei einer Spannung, die geringer als die auf dem Typenschild

angegebene Spannung ist, kann der Motor beschädigt werden.

8. **VERMEIDEN SIE EIN VERSEHENTLICHES STARTEN DES GERÄTS:** Stellen Sie vor dem Anschließen an die Stromversorgung sicher, dass der Schalter auf AUS steht.
9. **Nehmen Sie mit dem Absauggerät keine feuergefährlichen oder explosiven Stoffe, glimmende Tabakreste, heiße Asche, heiße Metallspäne oder scharfe Gegenstände wie Rasierklingen, Nadeln, Glasscherben o. ä. auf.**
10. **BETREIBEN SIE DAS ABSAUGGERÄT NIEMALS IN DER NÄHE VON KRAFTSTOFFEN, GAS, FARBEN, KLEBSTOFFEN ODER SONSTIGEN EXPLOSIVEN STOFFEN!** Beim Ein- und Ausschalten entstehen am Schalter Funken. Während des Betriebs entstehen außerdem am Kommutator des Motors Funken. Dadurch kann es zu einer Explosion kommen.
11. **Saugen Sie mit diesem Absauggerät niemals giftige, krebserregende, brennbare oder auf andere Weise gefährliche Stoffe wie z. B. Asbest, Arsen, Barium, Beryllium, Blei, Pestizide und sonstige gesundheitsgefährliche Materialien auf.**
12. **Verwenden Sie das Absauggerät niemals bei Regen im Freien.**
13. **Verwenden Sie das Absauggerät nicht in der Nähe von Wärmequellen (Öfen usw.).**
14. **SCHUTZ VOR STROMSCHLAG:** Vermeiden Sie Körperkontakt mit geerdeten Flächen. Dazu gehören beispielsweise Rohrleitungen, Heizkörper, Herde, Kühlschranksgehäuse usw.
15. **Halten Sie Lüftungsöffnungen stets frei.** Diese Lüftungsöffnungen sorgen für die Kühlung des Motors. Ein Verstopfen dieser Lüftungsöffnungen muss unbedingt vermieden werden, da andernfalls der Motor nicht ausreichend belüftet wird und durchbrennt.
16. **Achten Sie jederzeit auf sicheren Stand und sicheres Gleichgewicht.**
17. **VERWENDEN SIE NETZKABEL NICHT ZWECKENTFREMDET:** Tragen Sie das Absauggerät niemals am Kabel, und ziehen Sie nicht am Kabel, um den Stecker aus der Steckdose zu ziehen. Halten Sie das Kabel von Hitze, Öl und scharfen Gegenständen und Kanten fern. Überprüfen Sie die Kabel am Absauggerät in regelmäßigen Abständen. Lassen Sie sie im Fall einer Beschädigung von entsprechend autorisiertem Fachpersonal reparieren. Überprüfen Sie Verlängerungskabel in regelmäßigen Abständen, und tauschen Sie diese im Fall einer Beschädigung aus.
18. **Knicken Sie den Schlauch nicht, ziehen Sie nicht am Schlauch, und treten Sie nicht auf den Schlauch.**
19. **Wenn während des Betriebs die Leistung sinkt oder wenn Sie sonstige unnormale Dinge bemerken, stoppen Sie den Betrieb des Absauggeräts unverzüglich.**
20. **TRENNEN SIE DAS ABSAUGGERÄT VON DER STROMVERSORGUNG:** bei Nichtverwendung, vor dem Ausführen von Wartungsarbeiten und beim Wechseln von Zubehörteilen.

21. Damit das Absauggerät in einwandfreiem Zustand verbleibt, sollten Sie das Absauggerät direkt nach der Verwendung reinigen und ggf. Wartungsarbeiten ausführen.
22. **NEHMEN SIE SORGFÄLTIG ALLE NOTWENDIGEN WARTUNGSARBEITEN AM ABSAUGGERÄT VOR:** Halten Sie das Absauggerät stets sauber, damit das Absauggerät stets mit höchster Leistung und höchster Zuverlässigkeit genutzt werden kann. Halten Sie beim Wechseln von Zubehörteilen die Anleitungen ein. Achten Sie darauf, dass die Griffe trocken, sauber und frei von Öl und Schmiermittel sind.
23. **ÜBERPRÜFEN SIE AUF BESCHÄDIGTE TEILE:** Vor der weiteren Verwendung des Absauggeräts müssen beschädigte Schutzvorrichtungen oder sonstige beschädigte Teile sorgfältig überprüft werden, um sicherzustellen, dass diese Teile noch ordnungsgemäß funktionieren und ihren beabsichtigten Zweck erfüllen. Überprüfen Sie die Ausrichtung beweglicher Teile und deren Verbindungselemente und ob Teile beschädigt sind. Vergewissern Sie sich darüber hinaus, dass die Montage korrekt ist und keine Umstände vorliegen, die den ordnungsgemäßen Betrieb stören könnten. Sofern in dieser Betriebsanleitung an anderer Stelle nicht anders angegeben, müssen beschädigte Schutzvorrichtungen und sonstige beschädigte Teile durch entsprechend autorisiertes Fachpersonal ordnungsgemäß repariert oder ausgetauscht werden. Lassen Sie defekte Schalter in einem autorisierten Servicecenter reparieren. Verwenden Sie das Absauggerät nicht, wenn sich das Absauggerät nicht anhand des Schalters ein- oder ausschalten lässt.
24. **ERSATZTEILE:** Verwenden Sie bei Wartungsarbeiten ausschließlich Original-Ersatzteile.
25. **LAGERUNG DES ABSAUGGERÄTS BEI NICHTVERWENDUNG:** In Zeiten der Nichtverwendung sollte das Absauggerät in einem geschlossenen Raum aufbewahrt werden, nicht im Freien.
26. Gehen Sie sorgsam mit dem Absauggerät um. Durch rohe Behandlung kann selbst das robusteste Absauggerät beschädigt werden.
27. Versuchen Sie nicht, das Innere oder das Äußere des Absauggeräts mit Hilfe von Benzin, Verdünnungen oder chemischen Reinigungsmitteln zu reinigen. Bei Verwendung derartiger Mittel kann es zu Rissen und Verfärbungen kommen.
28. Verwenden Sie das Absauggerät nicht in geschlossenen Räumen, in denen brennbare, explosionsgefährliche oder giftige Dämpfe auftreten, die aus Ölfarben, Farbverdünnungen, Leichtbenzinen, Mottenschutzmitteln usw. austreten können, oder in Bereichen mit feuergefährlichen Stäuben.
29. Lassen Sie das Kabel des Absauggeräts nach Beendigung der Reinigungsarbeiten nicht auf dem Fußboden liegen. Das Kabel kann zur Stolperfalle werden oder anderweitig zu Schäden am Absauggerät führen.
30. **Betreiben Sie dieses Absauggerät, wie jedes andere Werkzeug oder Gerät auch, niemals, wenn Sie unter Einfluss von Alkohol, betäubenden Substanzen oder Medikamenten stehen.**
31. Tragen Sie als fundamentale Arbeitsschutzmaßnahme eine Arbeitsschutzbrille oder eine Sicherheitsbrille mit Seitenschutz.
32. Tragen Sie bei Arbeiten in staubigen Bereichen eine Staubmaske.
33. Dieses Gerät darf nicht von Personen mit verminderten physischen, sensorischen oder psychischen Fähigkeiten oder unzureichenden Erfahrungen und Kenntnissen bedient werden.
34. Kleinkinder sind so zu beaufsichtigen, dass sichergestellt ist, dass sie nicht mit dem Absauggerät spielen.
35. Gehen Sie nie mit feuchten Händen mit dem Kabel, dem Stecker oder dem Absauggerät um.
36. Seien Sie beim Reinigen auf Treppen und Stufen besonders aufmerksam.
37. Verwenden Sie das Absauggerät nicht als Sitzgelegenheit oder Werkbank. Das Gerät könnte umkippen, wodurch es zu Verletzungen kommen kann.

BEWAHREN SIE DIESE BETRIEBSANLEITUNG ZUM SPÄTEREN NACHSCHLAGEN SORGFÄLTIG AUF

⚠️ WARNUNG:

Lassen Sie sich **NIE** durch Bequemlichkeit oder (aus fortwährendem Gebrauch gewonnener) Vertrautheit mit dem Gerät dazu verleiten, die Sicherheitsregeln für das Gerät zu missachten. Bei **MISSBRÄUCLICHER** Verwendung des Geräts oder bei Missachtung der in diesem Handbuch enthaltenen Sicherheitshinweise kann es zu schweren Verletzungen kommen.

FUNKTIONSBESCHREIBUNG

⚠️ WARNUNG:

- Vergewissern Sie sich vor dem Anschließen des Staubsaugers an die Stromversorgung stets, dass der Staubsauger ausgeschaltet ist. Beim Anschließen eines eingeschalteten Staubsaugers startet der Staubsauger möglicherweise unerwartet, wodurch es zu schweren Verletzungen kommen kann.

Bedienung des Schalters (Abb. 1)

Um den Staubsauger einzuschalten, drehen Sie den Schalter auf die Position „I“. Um den Staubsauger auszuschalten, drehen Sie den Schalter auf die Position „O“.

Die Saugkraft kann entsprechend der notwendigen Reinigungsarbeiten eingestellt werden. (Abb. 2)

Durch Drehen des Einstellknopfs für die Saugkraft von Symbol ⇄ in Richtung Symbol ↻ wird die Saugkraft erhöht.

Anschließen von Elektrowerkzeugen

WARNUNG:

- Beachten Sie die maximale Anschlusslast für die Gerätesteckdose (siehe TECHNISCHE DATEN).
- Stellen Sie vor dem Anschließen und dem Trennen von Elektrowerkzeugen sicher, dass sowohl Staubsauger als auch Elektrowerkzeug ausgeschaltet sind. Wenn beim Anschließen des Elektrowerkzeugs an den Staubsauger beide Geräte eingeschaltet sind, startet das Elektrowerkzeug plötzlich und möglicherweise unerwartet, wobei es zu schweren Verletzungen kommen kann.

Schließen Sie ein Werkzeug mit Schutzerdung nur mit einem Schutzkontaktstecker an die Steckdose des Staubsaugers an. (Abb. 3)

ACHTUNG:

- Schließen Sie niemals ein Elektrowerkzeug an die Steckdose des Staubsaugers an, dessen Leistungsaufnahme die Vorgaben unter „TECHNISCHE DATEN“ übersteigt, indem Sie den Einstellknopf für die Saugkraft auf Vollenleistung drehen. Bei Anschließen eines Elektrowerkzeugs mit einer höheren als die zulässige Leistungsaufnahme kann es zu einer Überhitzung und einer Beschädigung des Staubsaugers kommen. Informieren Sie sich unbedingt anhand der Technischen Daten.

An den Staubsauger kann ein Elektrowerkzeug angeschlossen werden, dessen Leistungsaufnahme die unter „TECHNISCHE DATEN“ angegebene Leistungsaufnahme nicht übersteigt.

Um ein Elektrowerkzeug anzuschließen, öffnen Sie die Kappe und stecken Sie den Stecker des Elektrowerkzeugs in die Steckdose am Staubsauger. Drehen Sie den Schalter in die Position „AUTO“. (Abb. 2) Bringen Sie den Drehknopf für die Einstellung der Saugkraft in eine Position, die für das zu verwendende Elektrowerkzeug geeignet ist. Informieren Sie sich unter TECHNISCHE DATEN über den Zusammenhang zwischen Einstellknopf für die Saugkraft und Leistungsaufnahme des Elektrowerkzeugs. Bei Ein- bzw. Ausschalten des angeschlossenen Elektrowerkzeugs wird auch der Staubsauger ein- bzw. ausgeschaltet. Nach dem Ausschalten des angeschlossenen Elektrowerkzeugs läuft der Staubsauger noch einige Sekunden nach. Ziehen Sie nach Gebrauch den Stecker des Elektrowerkzeugs aus der Steckdose des Staubsaugers. Schalten Sie den Staubsauger nach Gebrauch aus.

Automatischer Saugstopp während des Saugens

WARNUNG:

- **Verwenden Sie den Staubsauger nicht über längere Zeit, wenn der Schwimmer ausgelöst hat.** Bei Verwendung des Staubsaugers bei ausgelöstem Schwimmer kann es zu einer Überhitzung des Staubsaugers und dadurch zu Deformationen kommen.
- **Saugen Sie keinen Schaum und keine mit schaumbildenden Mitteln versetzten Flüssigkeiten auf.** Beim Aufsaugen von Schaum oder von mit schaumbildenden Mitteln versetzten Flüssigkeiten

kann Schaum aus dem Luftaustritt austreten, bevor der Schwimmer auslöst. Bei weiterem Betrieb in dieser Situation kann es zu einem Stromschlag oder zu einer Beschädigung des Staubsaugers kommen.

Der Staubsauger verfügt über einen Schwimmermechanismus, der das Eindringen von Wasser in den Motor verhindert, nachdem bereits eine bestimmte Menge an Wasser aufgenommen wurde. Wenn der Behälter voll ist und der Staubsauger kein weiteres Wasser mehr aufnimmt, schalten Sie den Staubsauger aus und leeren Sie den Behälter.

Anbringen der Halteklammern (Abb. 4)

Wenn Sie ein Elektrowerkzeug an den Staubsauger anschließen, sichern Sie das Stromkabel des Werkzeugs mit Hilfe der mit dem Staubsauger gelieferten Halteklammern am Saugschlauch, damit sich Schlauch und Kabel nicht ineinander verheddern; bringen Sie die Halteklammern in einem Abstand von 70 bis 80 cm an.

Verwenden des Werkzeughalters

ACHTUNG:

- **Achten Sie beim Schließen des Werkzeughalters darauf, dass Sie sich nicht die Finger einklemmen.** Anderenfalls kann es zu Verletzungen kommen.

HINWEIS:

- Wenden Sie auf den Werkzeughalter keine übermäßige Kraft an. Durch übermäßige Kraftanwendung kann der Werkzeughalter beschädigt werden. Schließen Sie den Werkzeughalter, wenn dieser nicht genutzt wird.

Ein geöffneter Werkzeughalter kann wie folgt genutzt werden.

1. Aufbewahren des Stromkabels

HINWEIS:

- **Benutzen Sie den Staubsauger oder ein Elektrowerkzeug nicht mit um den Werkzeughalter aufgewickeltem Stromkabel.** Bei Verwendung von Staubsauger oder Werkzeug mit aufgewickeltem Stromkabel kann das Stromkabel beschädigt werden. (Abb. 5)

2. Aufbewahren der vorderen Manschetten

Es können vordere Manschetten 22, 24 und 38 aufbewahrt werden (bis zu zwei Stück gleichzeitig). (Abb. 6)

3. Aufbewahren des Saugschlauchs (Abb. 7)

- 4. **Ablegen eines Elektrowerkzeugs geeigneter Größe auf dem Werkzeughalter, z. B. eine Kreissäge.** (Abb. 8)

Verriegeln und Entriegeln der Rollen

Bei Modellen VC1310L und VC2510L (Abb. 9)

Bei Modell VC3210L (Abb. 10)

Zum Verriegeln einer Rolle mit Stopper bringen Sie den Stopperhebel in die untere Position: die Rolle dreht sich nicht mehr. Zum Entriegeln der Rolle bringen Sie den Stopperhebel wieder in die obere Position. Das Verriegeln der Rolle macht insbesondere beim Abstellen des Staubsaugers nach Gebrauch, beim

Unterbrechen der Arbeiten und dann, wenn sich der Staubsauger nicht bewegen soll, Sinn.
Betätigen Sie den Stopper von Hand.

HINWEIS:

- Achten Sie darauf, dass die Rolle entriegelt ist, wenn Sie den Staubsauger bewegen möchten. Bei Bewegungen des Staubsaugers mit verriegelter Rolle kann die Rolle beschädigt werden.

ZUSAMMENBAU

⚠️ ACHTUNG:

- Schalten Sie den Staubsauger unbedingt aus und ziehen Sie den Netzstecker, bevor Sie irgendwelche Arbeiten am Staubsauger durchführen.

Einbauen des Wasserfilters (Abb. 11)

Wenn Wasser oder feuchter Staub aufgenommen werden soll, entnehmen Sie Vorfilter und Feuchtefilter und setzen Sie anschließend den Wasserfilter ein.

Setzen Sie den Wasserfilter straff so auf den Rand des Behälters auf, dass der Haken des Wasserfilters sicher auf dem Rand des Behälters einhakt und dass kein Freiraum zwischen Wasserfilter und Behälter besteht. (Abb. 12)

Setzen Sie den Wasserfilter außerdem so ein, dass die Markierungen der Befestigungsposition zueinander ausgerichtet sind.

HINWEIS:

- Bei den Modellen VC2510L und VC3210L sind keine Markierungen für die Befestigungsposition vorhanden, da der Filter nicht ausgerichtet werden muss.

Einsetzen der Papiertüte

⚠️ WARNUNG:

- Bei Verwendung der Papiertüte muss auch der werkseitig bereits in das Gerät eingebaute Vorfilter verwendet werden. Ohne Vorfilter kommt es zu unnötiger Geräusentwicklung, und es kann zu einer Überhitzung mit einem Brand als Folge kommen.

⚠️ ACHTUNG:

- Saugen Sie bei Gebrauch von Papiertüten niemals Wasser oder sonstige Flüssigkeiten oder feuchten Staub auf. Bei Aufsaugen derartiger Stoffe können Papiertüten beschädigt werden.
 1. Nehmen Sie den Gummihalter ab. (Abb. 13)
 2. Falten Sie die Papiertüte auseinander.
 3. Richten Sie die Öffnung der Papiertüte mit der Staubansaugöffnung des Staubsaugers aus. (Abb. 14 und 15)
 4. Setzen Sie die Pappe der Papiertüte so in den Staubsauger ein, dass sie sich am Ende hinter der Arretierungsnase befindet.

Anbringen des Rohrhalters (Sonderzubehör)

Bei Modell VC1310L

Drücken Sie den Kabelhalter wie in der Abbildung dargestellt nach unten. (Abb. 16)

Bringen Sie den Rohrhalter am Kabelhalter an. (Die Halter zeigen vom Behälterdeckel weg.)

Ziehen Sie den Rohrhalter so weit nach oben, bis die Halter den Behälterdeckel berühren, und drücken Sie auf den Abschnitt A des Rohrhalters. (Abb. 17)

Drücken Sie Abschnitt A mit großer Kraft, halten Sie den Druck aufrecht und bringen Sie den Rohrhalter nach unten. (Abb. 18)

Passen Sie die zwei vorstehenden Teile des Rohrhalters in die Nuten am Behälterdeckel ein und drücken Sie den Rohrhalter anschließend nach unten. (Abb. 19 und 20)

HINWEIS:

- Ein Rohrhalter, der wesentlich tiefer als die vorgesehene Position abgesenkt wurde, kann nicht wie in der Abbildung dargestellt mit vom Behälterdeckel wegweisenden Haken am Kabelhalter angebracht werden. (Abb. 21)

HINWEIS:

- Achten Sie darauf, dass die zwei Haken des Rohrhalters fest und sicher am Behälterdeckel eingehakt sind. (Abb. 22)

Anschließen des Saugschlauchs

⚠️ ACHTUNG:

- Biegen Sie den Saugschlauch niemals gewaltsam und drücken Sie den Schlauch niemals gewaltsam zusammen. Bewegen Sie den Staubsauger niemals durch Ziehen am Schlauch. Durch gewaltsames Biegen oder Zusammendrücken des Schlauchs und durch Ziehen am Schlauch kann der Schlauch beschädigt oder deformiert werden.
- Verwenden Sie zum Aufsaugen großer Abfallstücke wie beispielsweise Hobelspäne, Bentonbrocken o. ä. den Schlauch mit dem Innendurchmesser von 38 mm (Sonderzubehör). Bei Verwendung des Schlauchs mit Innendurchmesser 28 mm kann es zum Verstopfen und zu Beschädigungen des Schlauchs kommen.

Setzen Sie den Schlauch auf den Befestigungsanschluss des Behälters auf und drehen Sie den Schlauch im Uhrzeigersinn, bis der Schlauch einrastet. (Abb. 23)

Einlegen eines Polyethylenbeutels

Der Staubsauger kann auch ohne Polyethylenbeutel verwendet werden. Bei Verwendung eines Polyethylenbeutels kann der Behälter jedoch einfacher geleert werden, ohne sich die Hände zu verschmutzen. Falten Sie den Polyethylenbeutel im Behälter auseinander. Setzen Sie den Beutel zwischen Halteplatte und Behälter ein und ziehen Sie den Beutel zum Schlauchanschluss. (Abb. 24)

Legen Sie den Beutel um die Oberkante des Behälters. Haken Sie die andere Seite des Beutels um die Oberkante des Behälters, damit der Haken des Vorfilters greifen und den Beutel sicher in Position arretieren kann. (Abb. 25)

HINWEIS:

- Es können handelsübliche Polyethylenbeutel verwendet werden. Es wird empfohlen, Beutel mit einer Dicke von mindestens 0,04 mm zu verwenden.
- Bei einer zu großen Staubmenge reißen die Beutel leicht, sammeln Sie daher in einem Beutel nicht mehr als die Hälfte des Beutelvolumens an Staub.

Leeren des Polyethylenbeutels

WARNUNG:

- Stellen Sie vor dem Leeren des Polyethylenbeutels unbedingt sicher, dass der Staubsauger ausgeschaltet und vom Stromnetz getrennt ist. Anderenfalls kann es zu einem Stromschlag und zu ernsthaften Verletzungen kommen.

ACHTUNG:

- Wenden Sie nicht allzu viel Kraft bei Staubfilter und Behälter an. Durch Anwenden großer Kräfte können Staubfilter und Behälter deformiert und beschädigt werden.
- Leeren Sie den Behälter mindestens einmal täglich; dies ist jedoch vom in den Behälter gesaugten Staubvolumen abhängig. Anderenfalls sinkt die Saugkraft, wodurch der Motor beschädigt werden kann.
- Reißen Sie beim Leeren des Behälters nicht an der Verschlussklammer. Anderenfalls kann die Verschlussklammer beschädigt werden.

Entriegeln Sie den Behälterdeckel und heben Sie den Deckel ab. (Abb. 26)

Schütteln Sie den Staub von Staubfilter, Feuchtefilter und Vorfilter und nehmen Sie anschließend den Polyethylenbeutel aus dem Behälter. (Abb. 27)

HINWEIS:

- Nehmen Sie den Polyethylenbeutel vorsichtig aus dem Behälter, damit sich der Beutel nicht an Bauteilen im Inneren des Behälters verfängt und aufreißt.
- Leeren Sie den Polyethylenbeutel, bevor der Beutel voll ist. Ein zu stark gefüllter Beutel kann zerreißen.

Einbauen des Staubfilters (Abb. 11)

Setzen Sie den Vorfilter in den Behälter ein.

Setzen Sie anschließend den Feuchtefilter auf den Staubfilter auf und anschließend in den Vorfilter ein.

Achten Sie beim Einsetzen von Staubfilter und Vorfilter darauf, dass die Markierungen der Befestigungsposition der Filter mit der Markierung an der Oberseite des Behälters ausgerichtet sind.

Setzen Sie zum Schluss den Behälterdeckel wieder auf.

HINWEIS:

- Bei den Modellen VC2510L und VC3210L sind keine Markierungen für die Befestigungsposition vorhanden, da der Filter nicht ausgerichtet werden muss.
- Stellen Sie vor dem Einsetzen des Staubfilters sicher, dass sowohl der Vorfilter als auch der Feuchtefilter eingesetzt wurden. Das Verwenden des Staubfilters ohne Vorfilter und Feuchtefilter ist nicht zulässig.
- Stellen Sie vor dem Einsetzen einer Papiertüte sicher, dass sowohl der Vorfilter und der Feuchtefilter als auch der Staubfilter eingesetzt wurde.

Tragen des Staubsaugers (Abb. 28)

Um den Staubsauger zu tragen, erfassen Sie den Griff der Haube, wie in der Abbildung dargestellt. Bei Nichtverwendung kann der Griff in die Haube eingeklappt werden.

WARTUNG

ACHTUNG:

- Schalten Sie das Werkzeug aus und ziehen Sie immer den Netzstecker, bevor Sie Kontrollen oder Wartungsarbeiten am Werkzeug vornehmen.

Aufbewahren des Stromkabels

Nur bei Modell VC1310L (Abb. 29 und 30)

Ziehen Sie den Kabelhalter heraus bzw. öffnen Sie den Werkzeughalter. Wickeln Sie das Stromkabel auf und hängen Sie es an den Kabelhalter, oder wickeln Sie das Stromkabel um den Werkzeughalter.

HINWEIS:

- Ziehen Sie das Stromkabel beim Abnehmen nicht mit Gewalt vom Kabelhalter. Bei einem gewaltsamen Abziehen des Stromkabels vom Kabelhalter kann das Kabel beschädigt werden.

Bei Modellen VC2510L und VC3210L (Abb. 31 und 32)

Wickeln Sie das Stromkabel um den Werkzeughalter.

Aufbewahren von Zubehör

HINWEIS:

- Wenden Sie bei Zubehör, das am Rohrhalter befestigt ist, nicht zu viel Kraft an. Durch Anwenden von zu viel Kraft auf dieses Zubehör kann der Rohrhalter beschädigt werden.

Nur bei Modell VC1310L (Abb. 33)

Am Rohrhalter können ein gerades Rohr, ein gekrümmtes Rohr, Eckendüsen und ähnliche Teile aufbewahrt werden; dazu werden diese Zubehörteile einfach in den Rohrhalter eingesetzt.

Die Rohre können auch in den Rohrhalter eingesetzt werden, wenn der Staubsauger bei einer Arbeitsunterbrechung kurzzeitig nicht genutzt wird.

(Abb. 34)

Bei Modellen VC2510L und VC3210L (Abb. 35)

Am Rohrhalter können ein gerades Rohr, ein gekrümmtes Rohr und ähnliche Teile aufbewahrt werden; dazu werden diese Zubehörteile einfach in den Rohrhalter eingesetzt.

(Abb. 36)

Die Rohre können auch in den Rohrhalter eingesetzt werden, wenn der Staubsauger bei einer Arbeitsunterbrechung kurzzeitig nicht genutzt wird.

Reinigung

ACHTUNG:

- Verwenden Sie zum Reinigen niemals Kraftstoffe, Benzin, Verdünner, Alkohol oder ähnliches. Dies kann zu Verfärbungen, Verformungen oder Rissen führen. Bei Verstopfung von Staubfilter, Vorfilter und Feuchtefilter kann die Saugleistung stark sinken. (Abb. 37)
- Reinigen Sie Filter von Zeit zu Zeit.

Um Staub oder an den Filtern anhaftende Partikel zu entfernen, schütteln Sie den Rahmenboden mehrmals kräftig.

Waschen Sie den Staubfilter gelegentlich in Wasser aus, spülen Sie den Filter mit klarem Wasser und lassen Sie den Filter an einem schattigen Ort gründlich trocknen.

Waschen Sie Filter niemals in einer Waschmaschine.
(Abb. 38)

HINWEIS:

- Reiben oder kratzen Sie den Staubfilter, den Vorfilter und den Feuchtefilter niemals mit harten Gegenständen wie beispielsweise Bürsten oder Kratzern.
- Filter sind Verbrauchsmaterial; es ist daher empfehlenswert, stets einige Reservefilter vorrätig zu halten.

Zur Gewährleistung von SICHERHEIT und ZUVERLÄSSIGKEIT des Produkts sollten Reparaturen, Wartungsarbeiten und Einstellungen nur durch von Makita autorisierte Servicecenter durchgeführt und ausschließlich Makita-Ersatzteile verwendet werden.

SONDERZUBEHÖR

ACHTUNG:

- Für das in diesem Handbuch beschriebene Makita-Gerät werden die folgenden Zubehör- und Zusatzteile empfohlen. Bei Verwendung anderer Zubehör- und Zusatzteile kann es zu Verletzungen kommen. Verwenden Sie Zubehör- und Zusatzteile nur für den vorgesehenen Zweck.

Informationen zu diesem Zubehör erhalten Sie von Ihrem Makita-Servicecenter.

- Schlauch
- Vordere Muffen (22, 24, 38)
- Gerades Rohr
- Eckendüse
- Rundbürste
- Staubfilter (für Trockenstaub)
- Feuchtefilter
- Vorfilter
- Düsensatz
- Gekrümmtes Rohr
- Polyethylenbeutel
- Filter (für Wasser)
- Papiertüte
- Halterset
- Rohrhalter (nur Modell VC1310L)

HINWEIS:

- Einige der in der Liste aufgeführten Elemente sind dem Werkzeugpaket als Standardzubehör beigelegt. Diese können in den einzelnen Ländern voneinander abweichen.

Schall

ENG905-1

Typischer A-bewerteter Schallpegel nach EN/IEC60704:

Modell VC1310L

Schalldruckpegel (L_{pA}): 72 dB (A)

Abweichung (K): 2,5 dB (A)

Unter Arbeitsbedingungen kann der Schallpegel 80 dB (A) überschreiten.

Modell VC2510L, VC3210L

Schalldruckpegel (L_{pA}): 73 dB (A)

Abweichung (K): 2,5 dB (A)

Unter Arbeitsbedingungen kann der Schallpegel 80 dB (A) überschreiten.

Tragen Sie Gehörschutz.

Nur für europäische Länder

ENH038-3

EG-Konformitätserklärung

Makita erklärt, dass die nachfolgende(n) Maschine(n):

Bezeichnung der Maschine(n):

Absauggerät

Nummer / Typ des Modells: VC1310L, VC2510L, VC3210L

den folgenden Richtlinien der Europäischen Union genügt/genügen:

2006/42/EG

Sie werden gemäß den folgenden Standards oder

Normen gefertigt:

EN60335

Die technischen Unterlagen gemäß 2006/42/EG sind erhältlich von:

Makita, Jan-Baptist Vinkstraat 2, 3070, Belgien

31. 7. 2014



Yasushi Fukaya

Direktor



Makita, Jan-Baptist Vinkstraat 2, 3070, Belgien

ITALIANO (Istruzioni originali)

Spiegazione della vista generale

- | | | |
|--|---------------------------------------|-------------------------------------|
| 1. Manopola di regolazione della potenza aspirante | 14. Filtro antipolvere | 28. Sporgenza del supporto del tubo |
| 2. Manopola interruttore | 15. Valvola di tiraggio | 29. Scanalatura |
| 3. Coperchio | 16. Prefiltro | 30. Gancio |
| 4. Cavo di alimentazione | 17. Serbatoio | 31. Piastra del supporto |
| 5. Supporto | 18. Indicatore del punto di montaggio | 32. Sacchetto in polietilene |
| 6. Gancio base | 19. Filtro dell'acqua | 33. Maniglia |
| 7. Bocchette anteriori | 20. Supporto in gomma | 34. Testata |
| 8. Tubo | 21. Sacchetto di carta | 35. Gancio di avvolgimento del cavo |
| 9. Ruota orientabile | 22. Gancio di avvolgimento del cavo | 36. Tubo diritto |
| 10. Pedale del fermo | 23. Premere | 37. Ugello angolare |
| 11. Posizione di MOVIMENTO | 24. Supporto del tubo | 38. Fermo |
| 12. Posizione di ARRESTO | 25. Sezione A | |
| 13. Coperchio del serbatoio | 26. Ganci | |
| | 27. Premere con forza e abbassare | |

CARATTERISTICHE TECNICHE

Modello		VC1310L / VC2510L / VC3210L					
		UE	AU/NZ	GB 110V	GB 230V	CL	AR/CH
Tensione	Volt	230 - 240	230 - 240	110	230 - 240	220	230 - 240
Potenza assorbita	Watt	1.050	1.050	1.050	1.050	1.050	1.050
Potenza allacciata per la presa degli utensili elettrici	Watt a  modalità simboli	2.400	1.200	600	1.900	2.200	1.100
Potenza allacciata per la presa degli utensili elettrici	Watt a  modalità simboli	2.600	1.400	850	2.100	2.500	1.400
Potenza allacciata totale	Watt	3.450	2.250	1.650	2.950	3.250	2.150

Modello	VC1310L	VC2510L	VC3210L
Flusso in volume (aria)	2,0 m³/min		
Pressione di vuoto	22 kPa		
Classe di protezione	1		
Tipo di protezione	IP X4 (antispruzzo)		
Capacità di recupero	Polvere	13 L	32 L
	Acqua	7 L	27 L
Dimensioni (L × P × A)	366 mm × 334 mm × 420 mm	432 mm × 416 mm × 451 mm	552 mm × 398 mm × 685 mm
Peso netto	9,6 kg	10,5 kg	14,5 kg

- Le caratteristiche tecniche riportate di seguito sono soggette a modifiche senza preavviso in virtù del nostro programma continuo di ricerca e sviluppo.
- Le caratteristiche tecniche possono differire da paese a paese.
- Peso determinato in conformità con la EPTA-Procedure 01/2003

Simboli

Di seguito sono riportati i simboli utilizzati per l'apparecchio. È importante comprenderne il significato prima dell'uso.

END108-5



..... Non salire sull'aspiratore.



..... Solo per Paesi UE

Non gettare le apparecchiature elettriche tra i rifiuti domestici.

Secondo la Direttiva Europea sui rifiuti di apparecchiature elettriche ed elettroniche e la sua attuazione in conformità alle norme nazionali, le apparecchiature elettriche esauste devono essere



..... Leggere il manuale di istruzioni.



..... Avvertenza! L'aspiratore può contenere polveri pericolose.

raccolte separatamente, al fine di essere riciclate in modo eco-compatibile.

Uso previsto ENE016-1

L'apparecchio è destinato all'aspirazione di polveri umide e asciutte.

Alimentazione ENF001-1

L'utensile deve essere collegato a una presa di corrente con la stessa tensione di quella indicata sulla targhetta e può funzionare soltanto con corrente alternata monofase. L'utensile va collegato a terra durante l'uso per proteggere l'operatore da scosse elettriche. Usare solo prolunghe a tre fili con spine a tre rebbi per la messa a terra e con prese a tre poli per l'inserimento della spina dell'utensile.

AVVERTENZE SULLA SICUREZZA DELL'ASPIRATORE

ENB119-5

⚠ AVVERTENZA! IMPORTANTE: LEGGERE CON ATTENZIONE tutte le avvertenze sulla sicurezza e tutte le istruzioni PRIMA DELL'USO. La mancata osservanza delle istruzioni e delle avvertenze potrebbe provocare scariche elettriche, incendi e/o infortuni gravi.

1. Prima dell'uso, assicurarsi che l'aspiratore venga usato solo da persone adeguatamente addestrate.
2. Usare la presa di corrente sull'aspiratore solo per gli scopi specificati nelle istruzioni.
3. In caso di fuoriuscita di schiuma/liquido, spegnere immediatamente.
4. Pulire regolarmente il dispositivo di limitazione del livello dell'acqua ed ispezionarlo alla ricerca di eventuali tracce di danneggiamento.
5. Evitare di usare l'aspiratore in assenza del filtro. Sostituire immediatamente il filtro, se danneggiato.
6. **UTILIZZO DI PROLUNGHE.** Se si deve utilizzare una prolunga perché la presa di corrente è troppo lontana, scegliere se possibile una prolunga dal cavo abbastanza spesso e non troppo lungo, altrimenti le prestazioni dell'aspiratore risulteranno inferiori. Se si deve usare l'aspiratore all'aperto, scegliere una prolunga da esterni.
7. **AVVERTENZA SULLA TENSIONE:** Prima di collegare l'aspiratore a una sorgente di alimentazione (prolunga, presa a muro, ecc.), assicurarsi che la tensione erogata corrisponda a quella specificata sulla targhetta dell'aspiratore. Una sorgente di alimentazione con una tensione superiore a quella specificata per l'aspiratore può provocare **LESIONI GRAVI** all'operatore e danneggiare l'aspiratore stesso. In caso di dubbi, **NON INSERIRE LA SPINA DELL'ASPIRATORE.** L'uso di una sorgente di alimentazione con una tensione inferiore a quella indicata sulla targhetta può danneggiare il motore.
8. **PREVENIRE L'AVVIO ACCIDENTALE DELLA MACCHINA.** Accertarsi che l'interruttore sia in posizione OFF prima di collegare l'utensile.
9. Non provare ad aspirare materiali infiammabili, fuochi d'artificio, sigarette accese, ceneri calde, frammenti di metallo incandescenti, materiali taglienti quali rasoi, aghi, vetri rotti e simili.

10. **NON USARE MAI L'ASPIRATORE VICINO A BENZINA, GAS, VERNICI, ADESIVI O ALTRE SOSTANZE ALTAMENTE ESPLOSIVE.** L'interruttore produce delle scintille quando viene **ACCESO** o **SPENTO**. Anche il commutatore del motore produce scintille quando è in funzione. Potrebbe verificarsi una pericolosa esplosione.
11. **Non aspirare materiali tossici, cancerogeni, combustibili o altrimenti pericolosi quali amianto, bario, berillio, piombo, pesticidi, o altri materiali dannosi per la salute.**
12. **Evitare di usare l'aspiratore all'aperto quando piove.**
13. **Non usare in prossimità di fonti di calore (stufe, ecc.).**
14. **ADOTTARE PROTEZIONI CONTRO LE SCOSSE ELETTRICHE.** Evitare il contatto fisico con superfici collegate a terra. Ad esempio: tubi, radiatori, fornelli da cucina, frigoriferi.
15. **Non bloccare le aperture di ventilazione.** Queste aperture consentono il raffreddamento del motore. Prestare estrema attenzione a non bloccare, altrimenti il motore fonde per mancanza di ventilazione.
16. **Mantenere sempre l'equilibrio e un punto d'appoggio adeguati.**
17. **MANEGGIARE IL CAVO CON CURA.** Non trasportare l'aspiratore tirando il cavo, né strattarlo per scollarlo dalla presa. Mantenere il cavo lontano da calore, olio o bordi taglienti. Controllare periodicamente i cavi dell'aspiratore e, nel caso siano danneggiati, fare eseguire la riparazione da un centro di assistenza autorizzato. Controllare periodicamente le prolunghe e sostituirle se danneggiate.
18. **Non piegare, strattone o calpestare il tubo.**
19. **Arrestare immediatamente l'aspiratore se si notano prestazioni scarse o una qualsiasi anomalia durante il funzionamento.**
20. **SCOLLEGARE L'ASPIRATORE.** Quando non è in uso, prima della manutenzione e prima di sostituire gli accessori.
21. **Pulire ed eseguire la manutenzione dell'aspiratore immediatamente dopo ogni utilizzo, per mantenerlo in condizioni di funzionamento ottimali.**
22. **ESEGUIRE LA MANUTENZIONE DELL'ASPIRATORE CON CURA.** Tenere l'aspiratore sempre pulito, per una maggiore efficienza e sicurezza. Seguire le istruzioni per la sostituzione degli accessori. Tenere le maniglie asciutte, pulite e prive di olio e grasso.
23. **SOTTOPORRE A CONTROLLO I PEZZI DANNEGGIATI.** Prima di utilizzare l'aspiratore, sottoporre ad accurato controllo le protezioni o altri pezzi danneggiati per stabilire se sono in grado di funzionare correttamente e per gli usi previsti. Verificare l'allineamento e l'eventuale inceppamento delle parti mobili, controllare che non vi siano pezzi danneggiati, parti montate in modo sbagliato o qualunque altra condizione che influisca sul corretto funzionamento. Le protezioni o altre parti danneggiate devono essere riparate o sostituite da centri di assistenza autorizzati, salvo

quanto diversamente indicato nel presente manuale di istruzioni. Far sostituire gli interruttori difettosi da un centro di assistenza autorizzato.

Non utilizzare l'aspiratore se l'interruttore di accensione e spegnimento non funziona.

24. **PEZZI DI RICAMBIO.** Per le riparazioni, utilizzare esclusivamente pezzi di ricambio identici.
25. **CONSERVAZIONE DELL'ASPIRATORE NON IN USO.** Quando non viene utilizzato, l'aspiratore va conservato al coperto.
26. **Maneggiare l'aspiratore con cura. Un uso improprio può danneggiare anche l'aspiratore più robusto.**
27. **Non tentare di pulire l'esterno o l'interno con benzina, solventi o prodotti chimici per la pulizia. Ciò potrebbe causare fratture e scolorimenti.**
28. **Non usare l'aspiratore in spazi chiusi con vapori infiammabili, esplosivi o tossici sprigionati da vernici a base d'olio, diluenti per vernici, benzina, certe sostanze antitaromiche, ecc., o in aree con polveri infiammabili.**
29. **Al termine di un lavoro di pulizia, non lasciare il cavo dell'aspiratore libero sul pavimento o sul terreno. Potrebbe far inciampare o danneggiare l'aspiratore.**
30. **Non utilizzare questo o qualsiasi altro utensile sotto l'effetto di farmaci, droghe o alcool.**
31. **Come regola di base per la sicurezza, usare occhiali di protezione, con o senza schermi laterali.**
32. **In condizioni di lavoro con molta polvere, usare una maschera antipolvere.**
33. **Questa macchina non è destinata all'uso da parte di persone, inclusi i bambini, con ridotte capacità fisiche, sensoriali o mentali, o con mancanza di esperienza e conoscenza.**
34. **I bambini devono essere tenuti sotto controllo per evitare che giochino con l'aspiratore.**
35. **Non toccare mai il cavo di alimentazione o l'aspiratore con le mani bagnate o umide.**
36. **Usare estrema cautela quando si usa l'aspiratore sulle scale.**
37. **Non utilizzare l'aspiratore come sgabello o banco di lavoro. La macchina potrebbe cadere e causare lesioni personali.**

CONSERVARE PER RIFERIMENTO FUTURO

⚠ AVVERTENZA:

NON lasciare che la familiarità acquisita con il prodotto (dovuta all'uso ripetuto) provochi l'inosservanza delle norme di sicurezza. L'USO IMPROPRIO o la mancata osservanza delle norme di sicurezza indicate in questo manuale di istruzioni possono provocare gravi danni alla persona.

DESCRIZIONE FUNZIONALE

⚠ AVVERTENZA:

- **Prima di inserire la spina dell'aspiratore, assicurarsi sempre che sia spento.** Se si inserisce la spina dell'aspiratore con l'interruttore acceso

l'aspiratore potrebbe avviarsi inaspettatamente, provocando lesioni personali gravi.

Azionamento dell'interruttore (Fig. 1)

Per avviare l'aspiratore, ruotare la manopola interruttore su "I". Per arrestarlo, ruotare la manopola interruttore su "O".

La potenza aspirante è regolabile in base alle proprie esigenze di lavoro. (Fig. 2)

Per aumentare la potenza aspirante, girare la manopola di regolazione della potenza aspirante dal simbolo ↺ al simbolo ↻.

Collegamento degli utensili elettrici

⚠ AVVERTENZA:

- Rispettare la potenza allacciata massima per la presa degli utensili elettrici (consultare le CARATTERISTICHE TECNICHE).
- Assicurarsi che l'aspiratore e l'utensile elettrico siano entrambi spenti prima di collegarli o scollegarli tra loro. Se si collega l'utensile elettrico all'aspiratore quando sono entrambi accesi potrebbero avviarsi improvvisamente e in maniera inaspettata, causando lesioni personali gravi.

Se si collega un utensile con messa a terra, inserire nella presa dell'aspiratore una spina con piastra di messa a terra. (Fig. 3)

⚠ ATTENZIONE:

- Non collegare mai alla presa dell'aspiratore utensili elettrici con una potenza di ingresso superiore a quella specificata nelle "CARATTERISTICHE TECNICHE" girando la manopola di regolazione della potenza aspirante. Se si collega un utensile elettrico che supera la potenza di ingresso specificata l'aspiratore potrebbe surriscaldarsi e rimanere danneggiato. Consultare le caratteristiche tecniche per evitare che ciò si verifichi.

L'aspiratore può essere collegato a un utensile elettrico con la potenza di ingresso massima indicata nelle "CARATTERISTICHE TECNICHE".

Per collegare un utensile elettrico, aprire il coperchio e inserire la spina dell'utensile elettrico nella presa dell'aspiratore.

Ruotare la manopola interruttore in posizione "AUTO". (Fig. 2)

Ruotare la manopola di regolazione della potenza aspirante su una posizione adatta alla potenza di ingresso dell'utensile elettrico che si intende utilizzare. Consultare le CARATTERISTICHE TECNICHE per conoscere la relazione tra la manopola di regolazione della potenza aspirante e la potenza di ingresso dell'utensile elettrico. Accendendo e spegnendo l'utensile elettrico collegato si accende e si spegne contemporaneamente anche l'aspiratore. L'aspiratore continua a funzionare per alcuni secondi dopo lo spegnimento dell'utensile elettrico. Dopo l'uso, scollegare l'utensile elettrico dalla presa dell'aspiratore.

Spegnere l'aspiratore dopo l'uso.

Arresto dell'aspirazione automatica durante l'aspirazione

⚠ AVVERTENZA:

- **Non usare per lunghi periodi quando è in funzione il galleggiante.** L'uso dell'aspiratore per lunghi periodi quando è in funzione il galleggiante può provocare il surriscaldamento e la deformazione dell'aspiratore.
- **Non aspirare schiuma o liquidi contenenti sapone.** Se si aspira schiuma o liquidi contenenti sapone, la schiuma potrebbe fuoriuscire dalla presa dell'aria prima che entri in funzione il galleggiante. Se si prosegue l'utilizzo in queste condizioni, potrebbero verificarsi scosse elettriche e l'aspiratore potrebbe rompersi.

L'aspiratore dispone di un meccanismo galleggiante che impedisce all'acqua di penetrare nel motore quando ne viene aspirata più di una certa quantità.

Quando il serbatoio è pieno e l'aspiratore non aspira più acqua, spegnere l'aspiratore e svuotare il serbatoio.

Installazione del supporto (Fig. 4)

Quando si collega un utensile elettrico, fissare il cavo di alimentazione e il tubo usando i supporti forniti in dotazione con l'aspiratore a una distanza tra loro di 70 cm - 80 cm, in modo che il tubo non rimanga impigliato con il cavo di alimentazione.

Utilizzo del gancio base

⚠ ATTENZIONE:

- **Attenzione a non rimanere con le dita schiacciate quando si chiude il gancio base.** In caso contrario si potrebbero verificare lesioni personali.

NOTA:

- Non applicare una pressione eccessiva sul gancio base. Una pressione eccessiva sul gancio base potrebbe danneggiarlo. Quando non viene utilizzato, chiudere il gancio base.

L'apertura del gancio base consente i seguenti utilizzi.

1. Conservazione del cavo di alimentazione

NOTA:

- **Non utilizzare l'aspiratore o gli utensili elettrici collegati con il cavo di alimentazione avvolto sul gancio base.** In caso contrario, il cavo di alimentazione potrebbe danneggiarsi. (Fig. 5)
- 2. **Conservazione delle bocchette anteriori**
È possibile conservare le bocchette anteriori 22, 24 e 38 (un massimo di due alla volta). (Fig. 6)
- 3. **Conservazione del tubo (Fig. 7)**
- 4. **Appoggio di un utensile elettrico di dimensioni ragionevoli, come una sega circolare, sul gancio base. (Fig. 8)**

Bloccaggio e sbloccaggio della ruota orientabile

Per i modelli VC1310L e VC2510L (Fig. 9)

Per il modello VC3210L (Fig. 10)

Per bloccare la ruota orientabile con il fermo, abbassare il pedale del fermo: la ruota orientabile non potrà più essere

ruotata. Per sbloccare la ruota orientabile dalla posizione di bloccaggio, sollevare il pedale del fermo.

Il bloccaggio della ruota orientabile risulta pratico quando si ripone l'aspiratore, per fare una pausa durante il lavoro e per mantenere fermo l'aspiratore.

Per usare il fermo, spostarlo a mano.

NOTA:

- Quando si sposta l'aspiratore, assicurarsi che la ruota orientabile non sia bloccata. In caso contrario, la ruota orientabile potrebbe danneggiarsi.

MONTAGGIO

⚠ ATTENZIONE:

- Accertarsi sempre che l'aspiratore sia spento e scollegato prima di iniziare qualsiasi operazione di montaggio.

Installazione del filtro dell'acqua (Fig. 11)

Per aspirare acqua o polveri umide, rimuovere il prefiltro e la valvola di tiraggio, quindi usare il filtro dell'acqua.

Quando si installa il filtro dell'acqua sul serbatoio, fissarlo ben stretto all'apertura del serbatoio, in modo che il gancio del filtro dell'acqua si innesti saldamente sull'apertura del serbatoio e non rimanga spazio tra il filtro dell'acqua e il serbatoio. (Fig. 12)

Installare inoltre il filtro dell'acqua in modo che l'indicatore del punto di montaggio possa essere allineato.

NOTA:

- I modelli VC2510L e VC3210L non dispongono di indicatore del punto di montaggio e non hanno quindi bisogno di allineamento.

Installazione del sacchetto di carta

⚠ AVVERTENZA:

- Quando si usa il sacchetto di carta, usare anche il prefiltro che è preinstallato sull'utensile. Se non si usa il prefiltro, potrebbero prodursi rumori anomali e surriscaldamento, con conseguente rischio di incendio.

⚠ ATTENZIONE:

- Evitare di aspirare acqua o altri liquidi o polveri umide quando si usa il sacchetto di carta. In caso contrario, il sacchetto di carta potrebbe rompersi.
1. Rimuovere il supporto in gomma. (Fig. 13)
 2. Aprire ed allargare il sacchetto di carta.
 3. Allineare l'apertura del sacchetto di carta con l'apertura di aspirazione della polvere dell'aspiratore. (Fig. 14 e 15)
 4. Inserire il cartoncino del sacchetto di carta nell'utensile in modo da posizionarlo in fondo, oltre la sporgenza del fermo.

Installazione del supporto del tubo (accessorio opzionale)

Solo per il modello VC1310L

Premere il gancio di avvolgimento del cavo come mostrato in figura. (Fig. 16)

Fissare il supporto del tubo sul gancio di avvolgimento del cavo. (I ganci sono separati dal coperchio del serbatoio.)

Sollevere il supporto del tubo fino a quando i ganci toccano il coperchio del serbatoio, quindi premere la sezione A del supporto del tubo. (Fig. 17)

Premere con forza la sezione A e, mantenendola premuta, abbassare il supporto del tubo. (Fig. 18)

Inserire la sporgenza del supporto del tubo nelle scanalature del coperchio del serbatoio, quindi spingere verso il basso il supporto del tubo. (Fig. 19 e 20)

NOTA:

- Se il supporto del tubo viene spinto troppo verso il basso rispetto alla posizione corretta, non potrà essere installato sul gancio di avvolgimento del cavo con il gancio separato dal coperchio del serbatoio, come mostrato in figura. (Fig. 21)

NOTA:

- Assicurarsi che i due ganci del supporto del tubo siano fissati saldamente al coperchio del serbatoio. (Fig. 22)

Collegamento di un tubo

⚠ ATTENZIONE:

- Evitare di forzare il tubo per piegarlo o di calpestarlo. Evitare di spostare l'aspiratore tirandolo per il tubo. Se il tubo viene forzato, calpestato o tirato, potrebbe rompersi o deformarsi.
- Per aspirare rifiuti di grandi dimensioni quali trucioli di piattatura, polveri di cemento o simili, utilizzare il tubo con diametro interno di 38 mm (accessorio opzionale). L'uso del tubo con diametro interno di 28 mm può ostruire e danneggiare il tubo.

Inserire il tubo nell'apertura di montaggio del serbatoio e ruotarlo in senso orario fino a quando rimane bloccato. (Fig. 23)

Installazione del sacchetto in polietilene

L'aspiratore può anche essere usato senza il sacchetto in polietilene. Tuttavia, usando il sacchetto in polietilene risulta più facile svuotare il serbatoio senza sporcarsi le mani.

Aprire ed allargare il sacchetto in polietilene all'interno del serbatoio. Inserire il sacchetto tra la piastra del supporto e il serbatoio, quindi tirarlo verso la bocca del tubo. (Fig. 24) Allargare il sacchetto intorno alla parte superiore del serbatoio.

Agganciare l'altro lato del sacchetto intorno alla parte superiore del serbatoio, in modo che il gancio del prefiltro possa fissarsi e reggere il sacchetto saldamente. (Fig. 25)

NOTA:

- Può essere utilizzato un comune sacchetto in polietilene del tipo disponibile in commercio. Si raccomanda di usare sacchetti di spessore pari o superiore a 0,04 mm.
- Una quantità eccessiva di polvere può causare la rottura del sacchetto: non superare la metà della capacità del sacchetto.

Svuotamento del sacchetto in polietilene

⚠ AVVERTENZA:

- Assicurarsi sempre che l'aspiratore sia spento e scollegato prima di svuotare il sacchetto in polietilene. In caso contrario, potrebbero verificarsi scosse elettriche e lesioni personali gravi.

⚠ ATTENZIONE:

- Non scuotere eccessivamente il filtro antipolvere e il serbatoio. In caso contrario, il filtro antipolvere e il serbatoio potrebbero deformarsi e danneggiarsi.
- Svuotare il serbatoio almeno una volta al giorno, anche se la frequenza di questa operazione dipende dalla quantità di polvere aspirata contenuta nel serbatoio. In caso contrario, la potenza aspirante si ridurrà e il motore potrebbe rompersi.
- Per svuotare il serbatoio, evitare di afferrare il gancio. Afferrando il gancio, esso potrebbe rompersi. Sganciare e sollevare il coperchio del serbatoio. (Fig. 26) Scuotere via la polvere dal filtro antipolvere, dalla valvola di tiraggio e dal prefiltro, quindi estrarre il sacchetto in polietilene dal serbatoio. (Fig. 27)

NOTA:

- Quando si svuota il sacchetto in polietilene, estrarlo dal serbatoio con attenzione, in modo che non rimanga impigliato sulla sporgenza all'interno del serbatoio, rompendosi.
- Svuotare il sacchetto in polietilene prima che sia completamente pieno. Una quantità eccessiva di polvere nel serbatoio potrebbe causare la rottura del sacchetto in polietilene.

Installazione del filtro antipolvere (Fig. 11)

Collocare il filtro antipolvere all'interno del serbatoio.

Montare quindi la valvola di tiraggio sul filtro antipolvere e collocare il filtro nel prefiltro.

Quando si installa il filtro antipolvere e il prefiltro, i rispettivi indicatori del punto di montaggio vanno allineati con quello in cima al serbatoio.

Infine, montare il coperchio del serbatoio.

NOTA:

- I modelli VC2510L e VC3210L non dispongono di indicatore del punto di montaggio e non hanno quindi bisogno di allineamento.
- Prima di usare il filtro antipolvere, assicurarsi che il prefiltro e la valvola di tiraggio siano entrambi presenti. Non è consentito installare soltanto il filtro antipolvere.
- Prima di usare il sacchetto di carta, assicurarsi che il filtro antipolvere, la valvola di tiraggio e il prefiltro siano tutti presenti.

Trasporto dell'aspiratore (Fig. 28)

Per trasportare l'aspiratore, impugnare la maniglia sulla testata, come mostrato in figura. Quando non viene utilizzata, la maniglia può essere richiusa sulla testata.

MANUTENZIONE

⚠ ATTENZIONE:

- Prima di effettuare controlli e operazioni di manutenzione, verificare sempre che l'utensile sia spento e scollegato.

Conservazione del cavo di alimentazione

Solo per il modello VC1310L (Fig. 29 e 30)

Estrarre il gancio di avvolgimento del cavo o aprire il gancio base. Avvolgere il cavo di alimentazione e appenderlo al gancio di avvolgimento del cavo o avvolgerlo intorno al gancio base.

NOTA:

- Non forzare il cavo di alimentazione tirandolo dal gancio di avvolgimento del cavo per rimuoverlo dal gancio stesso. In caso contrario, il cavo potrebbe danneggiarsi.

Per i modelli VC2510L e VC3210L (Fig. 31 e 32)

Avvolgere il cavo di alimentazione intorno al gancio base.

Conservazione degli accessori

NOTA:

- Non applicare una forza eccessiva sugli accessori sostenuti dal supporto del tubo. In caso contrario, il supporto del tubo potrebbe danneggiarsi.

Solo per il modello VC1310L (Fig. 33)

Il supporto del tubo può essere usato per conservare il tubo dritto, il tubo ricurvo, l'ugello angolare e simili: basta inserire questi accessori al suo interno.

I tubi possono essere riposti nel supporto del tubo anche quando si interrompe l'uso dell'aspiratore per una pausa durante il lavoro. (Fig. 34)

Per i modelli VC2510L e VC3210L (Fig. 35)

Il supporto del tubo può essere usato per conservare il tubo dritto, il tubo ricurvo e simili: basta inserire questi accessori al suo interno. (Fig. 36)

I tubi possono essere riposti nel supporto del tubo anche quando si interrompe l'uso dell'aspiratore per una pausa durante il lavoro.

Pulizia

⚠ ATTENZIONE:

- Evitare assolutamente di usare benzina, diluenti, solventi, alcol o sostanze simili. In caso contrario, potrebbero verificarsi scoloriture, deformazioni o incrinature.

Se il filtro antipolvere, il prefiltro o la valvola di tiraggio sono ostruiti, le prestazioni di aspirazione saranno scadenti. (Fig. 37)

Pulire periodicamente i filtri e le valvole di tiraggio.

Per rimuovere polvere e particelle che hanno aderito ai filtri, scuotere rapidamente e ripetutamente la parte inferiore del telaio.

Di tanto in tanto, lavare il filtro antipolvere in acqua, risciacquare e asciugare completamente all'ombra prima dell'uso. Evitare assolutamente di lavare i filtri in lavatrice. (Fig. 38)

NOTA:

- Non strofinare o grattare il filtro antipolvere, il prefiltro o la valvola di tiraggio con oggetti duri quali spazzole o spatole.
- I filtri si consumano: si consiglia di tenere a disposizione dei filtri di ricambio.

Per mantenere la SICUREZZA e l'AFFIDABILITÀ del prodotto, le riparazioni e qualsiasi altra operazione di manutenzione o regolazione devono essere eseguite dai centri di assistenza autorizzati Makita utilizzando sempre pezzi di ricambio Makita.

ACCESSORI OPZIONALI

⚠ ATTENZIONE:

- Si consiglia l'uso dei seguenti accessori per l'utensile Makita descritto in questo manuale. L'uso di qualsiasi altro accessorio potrebbe provocare lesioni personali. Utilizzare gli accessori esclusivamente per l'uso dichiarato.

Per l'assistenza e per ulteriori informazioni su tali accessori, rivolgersi al centro assistenza Makita di zona.

- Tubo
- Bocchette anteriori (22, 24, 38)
- Tubo dritto
- Ugello angolare
- Spazzola circolare
- Filtro antipolvere (polveri secche)
- Valvola di tiraggio
- Prefiltro
- Gruppo ugello
- Tubo ricurvo
- Sacchetto in polietilene
- Filtro (per l'acqua)
- Sacchetto di carta
- Set supporto
- Supporto del tubo (solo per il modello VC1310L)

NOTA:

- Alcuni degli accessori elencati potrebbero essere inclusi nella confezione dell'utensile come accessori standard. Gli accessori standard possono differire da paese a paese.

Rumore

ENG905-1

Il tipico livello di rumore ponderato "A" è determinato in conformità alla norma EN/IEC60704:

Modello VC1310L

Livello di pressione sonora (L_{pA}): 72 dB (A)

Variazione (K): 2,5 dB (A)

Il livello acustico in funzionamento può superare 80 dB (A).

Modello VC2510L, VC3210L

Livello di pressione sonora (L_{pA}): 73 dB (A)

Variazione (K): 2,5 dB (A)

Il livello acustico in funzionamento può superare 80 dB (A).

Indossare una protezione acustica.

Solo per i paesi europei

ENH038-3

Dichiarazione di conformità CE

Makita dichiara che le macchine seguenti:

Denominazione dell'utensile:

Aspiratore

N. modello/Tipo: VC1310L, VC2510L, VC3210L

sono conformi alle seguenti direttive europee:

2006/42/EC

Sono prodotte in conformità agli standard o ai documenti standardizzati riportati di seguito:

EN60335

Il documento tecnico ai sensi della Direttiva europea
2006/42/EC è disponibile presso:

Makita, Jan-Baptist Vinkstraat 2, 3070, Belgio

31. 7. 2014

A handwritten signature in black ink, appearing to read 'Yasushi Fukaya'.

Yasushi Fukaya
Direttore



Makita, Jan-Baptist Vinkstraat 2, 3070, Belgio

NEDERLANDS (Originele instructies)

Verklaring van het onderdelenoverzicht

- | | | |
|------------------------|---|---------------------|
| 1. Zuigkrachttelknop | 16. Voorfilter | 29. Groef |
| 2. Aan-uitschakelaar | 17. Tank | 30. Haak |
| 3. Deksel | 18. Markeringen voor de plaatsingspositie | 31. Houderplaat |
| 4. Netsnoer | 19. Waterfilter | 32. Polyethyleenzak |
| 5. Klem | 20. Rubberen houder | 33. Draaghandvat |
| 6. Snoerwikkelaar | 21. Papieren stofzak | 34. Tankdeksel |
| 7. Aansluitmonden | 22. Snoerhaak | 35. Snoerhaak |
| 8. Slang | 23. Drukken | 36. Rechte buis |
| 9. Wielje | 24. Buisklem | 37. Hoekmondstuk |
| 10. Wielvergrendeling | 25. A-gedeelte | 38. Aanslag |
| 11. Ontgrendelde stand | 26. Haken | |
| 12. Vergrendelde stand | 27. Krachtig drukken en omlaag schuiven | |
| 13. Tankdeksel | 28. Uitsteeksel van buisklem | |
| 14. Poederfilter | | |
| 15. Demper | | |

TECHNISCHE GEGEVENS

Model		VC1310L / VC2510L / VC3210L					
		EU	AU/NZ	GB 110V	GB 230V	CL	AR/CH
Spanning	Volt	230 - 240	230 - 240	110	230 - 240	220	230 - 240
Stroomverbruik	Watt	1.050	1.050	1.050	1.050	1.050	1.050
Aangesloten belasting op stopcontact voor accessoires	Watt in  functie	2.400	1.200	600	1.900	2.200	1.100
Aangesloten belasting op stopcontact voor accessoires	Watt in  functie	2.600	1.400	850	2.100	2.500	1.400
Totaal aangesloten belasting	Watt	3.450	2.250	1.650	2.950	3.250	2.150

Model		VC1310L	VC2510L	VC3210L
Volumestroom (lucht)		2,0 m³/min		
Vacuüm		22 kPa		
Beveiligingsklasse		1		
Type beveiliging		IP X4 (spatwaterdicht)		
Inhoud	Stof	13 liter	25 liter	32 liter
	Water	7 liter	14 liter	27 liter
Afmetingen (l x b x h)		366 mm x 334 mm x 420 mm	432 mm x 416 mm x 451 mm	552 mm x 398 mm x 685 mm
Nettogewicht		9,6 kg	10,5 kg	14,5 kg

- Als gevolg van ons doorlopende onderzoeks- en ontwikkelingsprogramma, zijn de technische gegevens van dit gereedschap onderhevig aan veranderingen zonder voorafgaande kennisgeving.
- De technische gegevens kunnen van land tot land verschillen.
- Gewicht volgens EPTA-procedure 01/2003

Symbolen

Hieronder staan de symbolen die voor het gereedschap worden gebruikt. Zorg ervoor dat u weet wat ze betekenen alvorens het gereedschap te gebruiken.

END108-5



..... Waarschuwing! De stofzuiger kan gevaarlijk stof bevatten.



..... Ga nooit op de stofzuiger staan.



..... Alleen voor EU-landen
Geef elektrisch gereedschap niet met het huisvuil mee!



..... Lees de gebruiksaanwijzing.

Volgens de Europese richtlijn inzake oude elektrische en elektronische apparaten en de toepassing daarvan binnen de nationale wetgeving, dient gebruikt elektrisch gereedschap gescheiden te worden ingezameld en te worden afgevoerd naar een recyclingbedrijf dat voldoet aan de geldende milieueisen.

Gebruiksdoelstellingen

ENE016-1

Het gereedschap is bedoeld om zowel nat als droog stof te verzamelen.

Voeding

ENF001-1

Het gereedschap mag uitsluitend worden aangesloten op een voeding met dezelfde spanning als aangegeven op het typeplaatje en werkt alleen op enkele-fase wisselstroom. Dit gereedschap moet tijdens gebruik zijn geaard om de gebruiker te beschermen tegen elektrische schokken. Gebruik uitsluitend verlengsnoeren met drie draden die zijn voorzien van geaarde stekkers en geaarde stopcontacten waarin de stekker van het gereedschap past.

VEILIGHEIDSWAARSCHUWINGEN SPECIFIEK VOOR EEN STOFZUIGER

ENB119-5

⚠ WAARSCHUWING! BELANGRIJK, LEES VÓÓR GEBRUIK alle veiligheidswaarschuwingen en alle instructies **ZORGVULDIG DOOR**. Het niet volgen van de waarschuwingen en instructies kan leiden tot elektrische schokken, brand en/of ernstig letsel.

1. **Merk op** alvorens de stofzuiger te gebruiken, dat deze stofzuiger door twee personen moet worden bediend die goed zijn geïnstrueerd over het gebruik van deze stofzuiger.
2. Gebruik het stopcontact van de stofzuiger uitsluitend voor doeleinden die in de instructies worden genoemd.
3. Als er schuim of vloeistof uit komt, schakelt u het apparaat onmiddellijk uit.
4. Reinig de waterniveaubegrenzer regelmatig en controleer het op tekenen van beschadiging.
5. Gebruik de stofzuiger nooit zonder het filter. Vervang een beschadigd filter onmiddellijk.
6. **GEBRUIK VAN EEN VERLENGSNOER.** Als u een verlengsnoer gebruikt vanwege de grote afstand tot het stopcontact, moet u een verlengsnoer gebruiken dat voldoende dik, maar niet te lang is omdat anders de prestaties van de stofzuiger negatief kunnen worden beïnvloed. Voor gebruik buitenshuis, gebruikt u een verlengsnoer dat geschikt is voor gebruik buitenshuis.
7. **WAARSCHUWING VOOR SPANNING:** Alvorens de stofzuiger aan te sluiten op een voedingsbron (stopcontact, enz.), controleert u of de voedingsspanning hetzelfde is als de spanning aangegeven op het typeplaatje op de stofzuiger. Een voedingsbron met een hogere spanning dan is aangegeven op het typeplaatje op de stofzuiger, kan leiden tot **ERNSTIG LETSEL** van de gebruiker en tevens tot beschadiging van de stofzuiger. Bij twijfel, **HET NETSNOER VAN DE STOFZUIGER**

NIET AANSLUITEN. Het gebruik van een voedingsbron met een lagere spanning dan is aangegeven op het typeplaatje op de stofzuiger, is schadelijk voor de motor.

8. **VOORKOM ONBEDOELD STARTEN.** Controleer of de schakelaar uit staat voordat u de stekker van het netsnoer in het stopcontact steekt.
9. **Probeer nooit brandbare stoffen, vuurwerk, brandende sigaretten, hete as, hete metaaldeeltjes en scherpe voorwerpen zoals scheermesjes, naalden, glasscherven en dergelijke op te zuigen.**
10. **GEBRUIK DE STOFZUIGER NOOIT IN DE BUURT VAN BENZINE, GAS, VERF, LIJM OF ANDERE ZEER EXPLOSIEVE STOFFEN.** De schakelaar kan vonken veroorzaken bij het in- en uitschakelen. En hetzelfde geldt voor de collector in de motor tijdens gebruik. Hierdoor kan een gevaarlijke explosie optreden.
11. **Zuig nooit giftige, kankerverwekkende, ontbrandbare of andere gevaarlijke stoffen op, zoals asbest, barium, beryllium, lood, pesticiden of andere stoffen die schadelijk zijn voor de gezondheid.**
12. **Gebruik de stofzuiger nooit buitenshuis in de regen.**
13. **Gebruik het gereedschap niet in de buurt van verwarmingsbronnen (fornuis, enz.).**
14. **BESCHERM U TEGEN ELEKTRISCHE SCHOKKEN.** Vermijd lichamelijk contact met de geaarde oppervlakten. Bijvoorbeeld, het buitenoppervlak van leidingen, radiators, kooktoestellen, koelkasten.
15. **Blokkeer de koelventilatieopeningen niet.** Deze ventilatieopeningen zorgen voor het koelen van de motor. Blokkeren moet altijd worden voorkomen omdat anders de motor doorbrandt door gebrek aan ventilatie.
16. **Zorg altijd voor een stevige stand en goede lichaamsbalans.**
17. **BEHANDEL HET NETSNOER VOORZICHTIG.** Draag de stofzuiger nooit aan het netsnoer en trek nooit aan het netsnoer om zo de stekker uit het stopcontact te trekken. Houd het netsnoer uit de buurt van hitte, olie en scherpe randen. Inspecteer het netsnoer van de stofzuiger regelmatig en indien het beschadigd is, laat u het repareren door een erkende elektrotechnisch reparateur. Inspecteer verlengsnoeren regelmatig en vervang ze indien beschadigd.
18. **U mag de slang niet dubbelvouwen, eraan trekken of erop staan.**
19. **Stop de stofzuiger onmiddellijk als u merkt dat hij slecht presteert of als u iets abnormaals opmerkt tijdens gebruik.**
20. **TREK DE STEKKER VAN DE STOFZUIGER UIT HET STOPCONTACT.** Wanneer hij niet in gebruik is, alvorens onderhoud te plegen en bij het verwisselen van accessoires.
21. **Reinig en onderhoud de stofzuiger onmiddellijk na elk gebruik om hem in de allerbeste conditie te houden.**
22. **ONDERHOUD DE STOFZUIGER MET ZORG.** Houd de stofzuiger schoon voor betere prestaties en veiliger gebruik. Houdt u aan de instructies voor

het verwisselen van de accessoires. Houd de handgrepen droog, schoon en vrij van olie en vetten.

23. **CONTROLEER BESCHADIGDE ONDERDELEN.** Zonder de stofzuiger verder te gebruiken, moet een beschermkap of ander onderdeel dat beschadigd is eerst goed worden onderzocht om te beoordelen of het goed werkt en zijn beoogde functie kan uitvoeren. Controleer of bewegende delen goed uitgelijnd zijn en niet vastgelopen zijn, of onderdelen niet kapot zijn en stevig gemonteerd zijn, en enige andere situatie die van invloed kan zijn op de werking ervan. Een beschermkap of ander onderdeel dat beschadigd is, dient vakkundig te worden gerepareerd of vervangen door een erkend servicecentrum, behalve indien anders aangegeven elders in deze gebruiksaanwijzing. Laat een kapotte aan-uitschakelaar vervangen door een erkend servicecentrum. Gebruik de stofzuiger niet als hij niet met de aan-uitschakelaar kan worden in- en uitgeschakeld.
24. **VERVANGINGSONDERDELEN.** Als u het apparaat laat nakijken, gebruik dan alleen identieke vervangingsonderdelen.
25. **DE STOFZUIGER OPBERGEN.** Als de stofzuiger niet in gebruik is, moet deze binnenshuis worden opgeborgen.
26. **Wees vriendelijk voor uw stofzuiger.** Een ruwe behandeling kan leiden tot een defect in zelfs de meest stevig gebouwde stofzuiger.
27. **Probeer niet de buitenkant of binnenkant van de stofzuiger te reinigen met benzine, thinner of chemische reinigingsmiddelen.** Hierdoor kunnen barsten en verkleuringen worden veroorzaakt.
28. **Gebruik de stofzuiger niet in een afgesloten ruimte waarin brandbare, explosieve of giftige dampen worden afgegeven door verf op oliebasis, thinner, benzine, sommige mottenbestrijdingsmiddelen, enz., of in een ruimte waarin explosief stof aanwezig is.**
29. **Laat het netsnoer van de stofzuiger niet op de vloer liggen nadat u klaar bent met stofzuigen.** U kunt erover struikelen of het kan schade toebrengen aan de stofzuiger.
30. **Gebruik dit of enig ander gereedschap niet wanneer u onder invloed bent van drugs of alcohol.**
31. **Als basisveiligheidsregel gebruikt u een beschermende bril of een veiligheidsbril met zijstukken.**
32. **Gebruik onder stoffige werkomstandigheden een stofmasker.**
33. **Dit gereedschap is niet geschikt voor gebruik door personen, waaronder kinderen, met een verminderd lichamelijk, zintuiglijk of geestelijk vermogen, of gebrek aan kennis en ervaring.**
34. **Jonge kinderen moeten onder toezicht staan om ervoor te zorgen dat ze niet met de stofzuiger spelen.**
35. **Pak het netsnoer of de stofzuiger nooit vast met natte handen.**
36. **Wees uiterst voorzichtig wanneer u de stofzuiger op een trap gebruikt.**

37. **Gebruik de stofzuiger nooit als een stoel of werkbank. Het gereedschap kan omvallen waardoor persoonlijk letsel kan ontstaan.**

BEWAAR VOOR LATERE NASLAG

⚠ WAARSCHUWING:

Laat u **NIET** misleiden door een vals gevoel van comfort en bekendheid met het gereedschap (na veelvuldig gebruik) en neem alle veiligheidsvoorschriften van het betreffende product altijd strikt in acht. **VERKEERD GEBRUIK** of het niet volgen van de veiligheidsinstructies in deze gebruiksaanwijzing kan leiden tot ernstig persoonlijk letsel.

BESCHRIJVING VAN DE FUNCTIES

⚠ WAARSCHUWING:

- **Alvorens de stekker van de stofzuiger in het stopcontact te steken, controleert u altijd of de stofzuiger uitgeschakeld is.** Als u de stekker in het stopcontact steekt terwijl de stofzuiger ingeschakeld is, kan de stofzuiger onverwachts starten waardoor ernstig persoonlijk letsel kan ontstaan.

In- en uitschakelen (zie afb. 1)

Om de stofzuiger te starten, draait u de aan-uitschakelaar naar de stand "I". Om de stofzuiger te stoppen, draait u de aan-uitschakelaar naar de stand "O".

De zuigkracht kan worden ingesteld aan de hand van de vereisten van uw werkzaamheden (zie afb. 2).

De zuigkracht kan worden verhoogd door de zuigkrachtinstelknop te draaien van het symbool ↻ naar het symbool ↺.

Aansluiten van elektrisch gereedschap

⚠ WAARSCHUWING:

- Houd u aan de maximale aangesloten belasting van het stopcontact voor accessoires (raadpleeg de TECHNISCHE GEGEVENS).
- Controleer dat zowel de stofzuiger als het elektrisch gereedschap zijn uitgeschakeld voordat u aansluit of loskoppelt. Als u het elektrisch gereedschap aansluit op de stofzuiger terwijl beide zijn ingeschakeld, kunnen deze onverwacht en plotseling starten waardoor ernstig persoonlijk letsel kan ontstaan.

Als een geaard gereedschap wordt aangesloten, steekt u een geaarde stekker in het stopcontact van de stofzuiger (zie afb. 3).

⚠ LET OP:

- Sluit nooit een elektrisch gereedschap met een hoger ingangsvermogen dan is opgegeven in de "TECHNISCHE GEGEVENS" aan op het stopcontact van de stofzuiger door de zuigkrachtinstelknop te draaien. Door een elektrisch gereedschap aan te sluiten met een hoger ingangsvermogen dan aangegeven, kan oververhitting en beschadiging van de stofzuiger worden veroorzaakt. Raadpleeg de technische gegevens om dit te voorkomen.

Op de stofzuiger kan een elektrisch gereedschap worden aangesloten tot het ingangsvermogen aangegeven in de "TECHNISCHE GEGEVENS".

Om een elektrisch gereedschap aan te sluiten, opent u het deksel en steekt u de stekker van het elektrisch gereedschap in het stopcontact van de stofzuiger. Draai de aan-uitschakelaar naar de stand "AUTO" (zie **afb. 2**).

Draai de zuigkrachtknop naar de stand die geschikt is voor het ingangsvermogen van het elektrisch gereedschap dat u van plan bent te gaan gebruiken. Raadpleeg de TECHNISCHE GEGEVENS voor de relatie tussen de stand van de zuigkrachtknop en het ingangsvermogen van het elektrisch gereedschap. Door het aangesloten elektrisch gereedschap in en uit te schakelen, zal tegelijkertijd de stofzuiger worden in- en uitgeschakeld. De stofzuiger werkt nog enkele seconden door nadat het elektrisch gereedschap is uitgeschakeld. Koppel na beruik het elektrisch gereedschap los van het stopcontact van de stofzuiger. Schakel de stofzuiger na gebruik uit.

Automatische zuigonderbreking tijdens zuigen

WAARSCHUWING:

- **Niet langdurig gebruiken terwijl de vlotter in werking is getreden.** Als u de stofzuiger langdurig gebruikt terwijl de vlotter in werking is getreden, kan oververhitting optreden waardoor de stofzuiger vervormd kan raken.
- **Geen schuim of zeepoplossingen opzuigen.** Door schuim of zeepoplossingen op te zuigen, kan er schuim uit de luchtuitlaat komen voordat de vlotter in werking treedt. Voortdurend gebruik onder deze omstandigheden, kan leiden tot een elektrische schok en het defect raken van de stofzuiger.

De stofzuiger heeft een vlottermechanisme dat voorkomt dat water doorstroomt naar de motor wanneer meer dan een bepaalde hoeveelheid water wordt opgezogen. Wanneer de tank vol is en de stofzuiger geen water meer opzuigt, schakelt u de stofzuiger uit en maakt u de tank leeg.

De klem aanbrengen (zie **afb. 4**)

Wanneer een elektrisch gereedschap is aangesloten, bevestigt u het netsnoer en de slang aan elkaar op een onderlinge afstand van 70 cm tot 80 cm met behulp van de klemmen die bij de stofzuiger werden geleverd, zodat de slang en het netsnoer niet verstrikt raken.

Gebruik van de snoerwikkelaar

LET OP:

- **Let er bij het sluiten van de snoerwikkelaar op dat uw vingers niet ertussen komen.** Als u dat niet doet, kan dit leiden tot persoonlijk letsel.

OPMERKING:

- Oefen geen buitensporige kracht uit op de snoerwikkelaar. Door de buitensporige kracht kan de snoerwikkelaar worden beschadigd. Sluit de snoerwikkelaar als deze niet in gebruik is.

Door de snoerwikkelaar te openen kunt u deze als volgt gebruiken.

1. Het netsnoer opbergen

OPMERKING:

- **Gebruik de stofzuiger of een aangesloten elektrisch gereedschap niet terwijl het netsnoer op de snoerwikkelaar is gewikkeld.** Door de stofzuiger of het aangesloten elektrisch gereedschap te gebruiken terwijl het netsnoer op de snoerwikkelaar is gewikkeld, kan het netsnoer worden beschadigd (zie **afb. 5**).
- 2. **De aansluitmonden opbergen**
De aansluitmonden 22, 24 en 38 kunnen worden opgeborgen (maximaal twee tegelijkertijd) (zie **afb. 6**).
- 3. **De slang opbergen (zie **afb. 7**).**
- 4. **Een elektrisch gereedschap van een redelijk formaat, zoals een cirkelzaag, opbergen in de snoerwikkelaar (zie **afb. 8**).**

Het wieltje vergrendelen en ontgrendelen

Voor de modellen VC1310L en VC2510L (zie **afb. 9**)

Voor model VC3210L (zie **afb. 10**)

Om het wieltje te vergrendelen, drukt u de wielvergrendeling omlaag zodat het wieltje niet meer kan draaien. Om het wieltje te ontgrendelen, trekt u de wielvergrendeling omhoog.

Het wieltje vergrendelen is handig bij het opbergen van de stofzuiger, tijdens het halverwege stoppen van de werkzaamheden en het stil laten staan van de stofzuiger. Bedien de wielvergrendeling met de hand.

OPMERKING:

- Zorg er bij het verplaatsen van de stofzuiger voor dat het wieltje ontgrendeld is. Als u de stofzuiger verplaatst terwijl het wieltje vergrendeld is, kan het wieltje beschadigd raken.

DE ONDERDELEN MONTEREN

LET OP:

- Controleer altijd of de stofzuiger is uitgeschakeld en de stekker uit het stopcontact is getrokken alvorens enige werkzaamheden aan de stofzuiger uit te voeren.

Het waterfilter aanbrengen (zie **afb. 11**)

Om water of nat stof op te zuigen, verwijdert u het voorfilter en de demper, en brengt u het waterfilter aan. Bij het aanbrengen van het waterfilter in de tank, plaatst u het waterfilter strak in de opening van de tank door de haak op het waterfilter stevig te laten aangrijpen in de tankopening zodat er geen ruimte zit tussen het waterfilter en de tank (zie **afb. 12**).

Zorg er bovendien voor bij het aanbrengen van het waterfilter dat de markeringen voor de plaatsingspositie zijn uitgelijnd.

OPMERKING:

- De modellen VC2510L en VC3210L hebben geen markeringen voor de plaatsingspositie en uitlijnen is niet nodig.

Een papieren stofzak plaatsen

WAARSCHUWING:

- Bij gebruik van een papieren stofzak, gebruikt u tevens het voorfilter dat af-fabriek in het gereedschap is

aangebracht. Als u het voorfilter niet gebruikt, kan een abnormaal geluid en warmte worden veroorzaakt, waardoor brand kan ontstaan.

⚠ LET OP:

- Zuig nooit water of andere vloeistoffen of natte stof op wanneer de papieren stofzak is aangebracht. Als u dat toch doet, kan de papieren stofzak scheuren.
1. Verwijder de rubberen houder (**zie afb. 13**).
 2. Vouw de papieren stofzak uit.
 3. Lijn de opening van de papieren stofzak uit met de zuigopening van de stofzuiger (**zie afb. 14 en 15**).
 4. Steek het kartonnen deel van de papieren stofzak zodanig in het gereedschap dat het aan het uiteinde zit, voorbij het uitsteeksel.

De buishouder aanbrengen (los verkrijgbaar)

Alleen voor model VC1310L

Duw de snoerhaak naar binnen, zoals aangegeven in de afbeelding (**zie afb. 16**).

Bevestig de buishouder op de snoerhaak. (De haken weggekeerd van het tankdeksel.)

Til de buishouder zo ver op dat de haken het tankdeksel raken en duw op gedeelte A van de buishouder (**zie afb. 17**).

Duw krachtig tegen gedeelte A en terwijl u tegen het gedeelte A drukt, schuift u de buishouder omlaag (**zie afb. 18**).

Pas de twee uitsteeksels van de buishouder in de groeven van het tankdeksel, en duw de buishouder vervolgens omlaag (**zie afb. 19 en 20**).

OPMERKING:

- Als de buishouder verder omlaag wordt geduwd dan de bedoeling is, kan hij niet worden aangebracht op de snoerhaak met de haak weggekeerd van het tankdeksel (**zie afb. 21**).

OPMERKING:

- Controleer of de twee haken van de buishouder stevig aan het tankdeksel zijn vastgehaakt (**zie afb. 22**).

De slang aansluiten

⚠ LET OP:

- Buig de slang niet sterk en ga er niet op staan. Verplaats de stofzuiger nooit door aan de slang te trekken. De slang sterk buigen, erop staan en eraan trekken kan ertoe leiden dat de slang kapot gaat of vervormd raakt.
- Bij het opzuigen van groot afval, zoals houtkrullen, betonstukjes en dergelijke, in plaats van klein afval, gebruikt u de slang met een binnendiameter van 38 mm (los verkrijgbaar). Als u de slang met een binnendiameter van 28 mm gebruikt, kan de slang verstopt en beschadigd raken.

Steek de slang in de aansluitopening van de tank en draai hem rechtsom tot hij wordt vergrendeld (**zie afb. 23**).

De polyethyleenzak aanbrengen

De stofzuiger kan ook worden gebruikt met een polyethyleenzak. Door het gebruik van een polyethyleenzak is het gemakkelijker de tank te legen zonder uw handen vuil te maken.

Spread de polyethyleenzak uit in de binnenkant van de tank. Steek de rand van de polyethyleenzak tussen de houderplaat en de wand van de tank en trek hem rond de inlaatopening van de slang (**zie afb. 24**).

Spreid de polyethyleenzak rond de bovenrand van de tank. Haak de andere zijde van de polyethyleenzak rond de bovenrand van de tank zodat de haak van het voorfilter kan aangrijpen en stevig kan vergrendelen (**zie afb. 25**).

OPMERKING:

- Een polyethyleenzak die in de winkel verkrijgbaar is, kan worden gebruikt. Een polyethyleenzak van 0,04 mm of dikker wordt aanbevolen.
- Door te veel stof kan de polyethyleenzak gemakkelijk scheuren, dus vul de zak niet tot meer dan de helft van zijn maximale inhoud.

De polyethyleenzak legen

⚠ WAARSCHUWING:

- Zorg er altijd voor dat de stofzuiger is uitgeschakeld en de stekker uit het stopcontact is getrokken alvorens de polyethyleenzak te legen. Als u dat niet doet, kan een elektrische schok en ernstig persoonlijk letsel worden veroorzaakt.

⚠ LET OP:

- Stel het poederfilter en de tank niet bloot aan sterke stoten. Sterk stoten kan leiden tot vervormingen en beschadigingen van het poederfilter en de tank.
- Leeg de tank ten minste eenmaal per dag, afhankelijk van de hoeveelheid opgezogen stof in de tank. Anders zal de zuigkracht afnemen en kan de motor kapot gaan.
- Pak niet de haak beet wanneer u de tank wilt legen. Als u de haak vastpakt, kan deze afbreken.

Maak de haken los en til het tankdeksel eraf (**zie afb. 26**). Schud het stof van het poederfilter, de demper en het voorfilter af en haal vervolgens de polyethyleenzak uit de tank (**zie afb. 27**).

OPMERKING:

- Haal bij het legen de polyethyleenzak voorzichtig uit de tank zodat de polyethyleenzak niet kan vasthaken achter de uitsteeksels binnenin de tank.
- Leeg de polyethyleenzak voordat deze volraakt. Te veel stof in de tank kan ertoe leiden dat de polyethyleenzak scheurt.

Het poederfilter aanbrengen (zie afb. 11)

Plaats het voorfilter in de tank.

Plaats vervolgens de demper om het poederfilter en plaats deze vervolgens in het voorfilter.

Bij het aanbrengen van het poederfilter en voorfilter, moet de markering voor de plaatsingspositie van elk uitgelijnd zijn met die langs de bovenrand van de tank. Breng ten slotte het tankdeksel weer aan.

OPMERKING:

- De modellen VC2510L en VC3210L hebben geen markeringen voor de plaatsingspositie en uitlijnen is niet nodig.
- Alvorens het poederfilter te gebruiken, zorgt u er voor dat het voorfilter en de demper altijd tegelijkertijd worden gebruikt. Het is niet toegestaan alleen het voorfilter te gebruiken.

- Alvorens de papieren zak te gebruiken, zorgt u er voor dat het poederfilter, de demper en het voorfilter altijd tegelijkertijd worden gebruikt.

De stofzuiger dragen (zie afb. 28)

Als u de stofzuiger draagt, draagt u deze aan het handvat op de bovenkant van het tankdeksel, zoals aangegeven in de afbeelding. Het handvat kan in de bovenkant van het tankdeksel worden geklapt.

ONDERHOUD

LET OP:

- Zorg er altijd voor dat het gereedschap is uitgeschakeld en de stekker uit het stopcontact is getrokken, voordat u een inspectie of onderhoud uitvoert.

Het netsnoer opbergen

Alleen voor model VC1310L (zie afb. 29 en 30)

Trek de snoerhaak naar buiten of open de snoerwikkelaar. Wikkel het netsnoer op en hang het aan de snoerhaak, of wikkel het netsnoer om de snoerwikkelaar.

OPMERKING:

- Trek het netsnoer niet met kracht van de snoerhaak af wanneer u het wilt gebruiken. Als u het netsnoer met kracht van de snoerhaak afhaalt, kan het netsnoer worden beschadigd.

Voor de modellen VC2510L en VC3210L (zie afb. 31 en 32)

Wikkel het netsnoer om de snoerwikkelaar.

Accessoires opbergen

OPMERKING:

- Oefen geen buitensporige kracht uit op de accessoires die op de buishouder zijn geplaatst. Als een buitensporige kracht op deze accessoires wordt uitgeoefend, kan de buishouder worden beschadigd.

Alleen voor model VC1310L (zie afb. 33)

De buishouder kan worden gebruikt om de rechte buis, de gebogen buis, het hoekmondstuk en dergelijke op te bergen door deze accessoires erop te steken.

De buizen kunnen ook gedurende een pauze in de werkzaamheden op de buishouder worden gestoken (zie afb. 34).

Voor de modellen VC2510L en VC3210L (zie afb. 35)

De buisgaten kunnen worden gebruikt om de rechte buis, de gebogen buis en dergelijke op te bergen door deze accessoires erin te steken (zie afb. 36).

De buizen kunnen ook gedurende een pauze in de werkzaamheden op de buishouder worden gestoken.

Schoonmaken

LET OP:

- Gebruik nooit benzine, wasbenzine, thinner, alcohol, enz. Dit kan leiden tot verkleuren, vervormen of barsten.

Een verstopt poederfilter, demper en voorfilter leiden tot een slechte zuigwerking (zie afb. 37).

Reinig de filters en de demper regelmatig.

Om stof en deeltjes die zich aan de filters hechten te verwijderen, schudt u de onderrand van de filters enkele keren snel heen en weer.

Was het poederfilter af en toe in water, spoel schoon en droog grondig in de schaduw alvorens het weer te gebruiken. Was de filters nooit in een wasmachine (zie afb. 38).

OPMERKING:

- Wrijf en kras niet met harde voorwerpen, zoals een borstel of een spatel, over het poederfilter, de demper of het voorfilter.
- De filters zijn verbruiksartikelen en wij adviseren u enkele vervangingsfilters op voorraad te houden.

Om de VEILIGHEID en BETROUWBAARHEID van het gereedschap te handhaven, dienen alle reparaties, onderhoud en afstellingen te worden uitgevoerd door een erkend Makita-servicecentrum, en altijd met gebruikmaking van originele Makita-vervangingsonderdelen.

VERKRIJGBARE ACCESSOIRES

LET OP:

- Deze accessoires of hulpstukken worden aanbevolen voor gebruik met het Makita-gereedschap dat in deze gebruiksaanwijzing wordt beschreven. Het gebruik van andere accessoires of hulpstukken kan gevaar voor persoonlijk letsel opleveren. Gebruik de accessoires of hulpstukken uitsluitend voor de aangegeven gebruiksdoeleinden.

Mocht u meer informatie willen hebben over deze accessoires, dan kunt u contact opnemen met uw plaatselijke Makita-servicecentrum.

- Slang
- Aansluitmonden (22, 24, 38)
- Rechte buis
- Hoekmondstuk
- Ronde borstel
- Poederfilter (voor droog type)
- Demper
- Voorfilter
- Mondstuk, compleet
- Gebogen buis
- Polyethyleenzak
- Filter (voor water)
- Papieren stofzak
- Houderstet
- Buishouder (alleen voor model VC1310L)

OPMERKING:

- Sommige items op de lijst kunnen zijn inbegrepen in de doos van het gereedschap als standaard toebehoren. Zij kunnen van land tot land verschillen.

Geluid

ENG905-1

De typische, A-gewogen geluidsniveaus zijn gemeten volgens EN/IEC60704:

Model VC1310L

Geluidsdrukniveau (L_{pA}): 72 dB (A)

Onzekerheid (K): 2,5 dB (A)

Het geluidsniveau kan tijdens gebruik hoger worden dan 80 dB (A).

Modellen VC2510L en VC3210L

Geluidsdruk niveau (L_{pA}): 73 dB (A)

Onzekerheid (K): 2,5 dB (A)

Het geluidsniveau kan tijdens gebruik hoger worden dan 80 dB (A).

Draag gehoorbescherming.

Alleen voor Europese landen

ENH038-3

EU-verklaring van conformiteit

Makita verklaart dat de volgende machine(s):

Aanduiding van de machine:

Stofzuiger

Modelnr./Type: VC1310L, VC2510L en VC3210L

Voldoen aan de volgende Europese richtlijnen:

2006/42/EG

Deze zijn gefabriceerd in overeenstemming met de volgende normen of genormaliseerde documenten:

EN60335

Het technische bestand volgens 2006/42/EG is verkrijgbaar bij:

Makita, Jan-Baptist Vinkstraat 2, 3070, België

31. 7. 2014



Yasushi Fukaya
Directeur

Makita, Jan-Baptist Vinkstraat 2, 3070, België

ESPAÑOL (Instrucciones originales)

Explicación de los dibujos

- | | | |
|--|----------------------------------|---|
| 1. Mando de ajuste de la fuerza de succión | 13. Cubierta del depósito | 26. Ganchos |
| 2. Palanca del interruptor | 14. Filtro de polvo | 27. Presione ejerciendo fuerza y bájelo |
| 3. Tapa | 15. Amortiguador | 28. Saliente del soporte del tubo |
| 4. Cable de alimentación eléctrica | 16. Filtro previo | 29. Ranura |
| 5. Soporte | 17. Depósito | 30. Gancho |
| 6. Gancho de la base | 18. Marca de posición de montaje | 31. Placa de soporte |
| 7. Manguitos frontales | 19. Filtro de agua | 32. Bolsa de polietileno |
| 8. Manguera | 20. Soporte de goma | 33. Asidero |
| 9. Rueda | 21. Bolsa de papel | 34. Cabezal |
| 10. Palanca de bloqueo | 22. Gancho del cable | 35. Gancho del cable |
| 11. Posición libre | 23. Pulse | 36. Tubo recto |
| 12. Posición de bloqueo | 24. Soporte del tubo | 37. Boquilla para esquinas |
| | 25. Sección A | 38. Tope |

ESPECIFICACIONES

Modelo		VC1310L / VC2510L / VC3210L					
		UE	AU/NZ	GB 110V	GB 230V	CL	AR/CH
Voltaje	Voltios	230 - 240	230 - 240	110	230 - 240	220	230 - 240
Consumo de energía	Vatios	1.050	1.050	1.050	1.050	1.050	1.050
Carga con conexión para la toma del aparato	Vatios con el modo de símbolo	2.400	1.200	600	1.900	2.200	1.100
Carga con conexión para la toma del aparato	Vatios con el modo de símbolo	2.600	1.400	850	2.100	2.500	1.400
Carga conectada total	Vatios	3.450	2.250	1.650	2.950	3.250	2.150

Modelo	VC1310L	VC2510L	VC3210L	
Flujo de volumen (aire)	2,0 m ³ /min			
Vacío	22 kPa			
Clase de protección	1			
Tipo de protección	IP X4 (a prueba de salpicaduras)			
Capacidad de recuperación	Polvo	13 L	25 L	32 L
	Agua	7 L	14 L	27 L
Dimensiones (Largo x Ancho x Alto)	366 mm x 334 mm x 420 mm	432 mm x 416 mm x 451 mm	552 mm x 398 mm x 685 mm	
Peso neto	9,6 kg	10,5 kg	14,5 kg	

- Debido a nuestro programa continuo de investigación y desarrollo, las especificaciones aquí descritas están sujetas a cambios sin previo aviso.
- Las especificaciones pueden ser diferentes de un país a otro.
- Peso de acuerdo con el procedimiento EPTA 01/2003

Símbolos

END108-5



Se utilizan los siguientes símbolos para el equipo. Asegúrese de que comprende su significado antes del uso.



..... Lea el manual de instrucciones.



..... Advertencia La aspiradora puede contener polvo peligroso.



..... Nunca permanezca encima de la aspiradora.

..... Sólo para países de la Unión Europea
 ¡No deseche los aparatos eléctricos junto con los residuos domésticos!
 De conformidad con la Directiva Europea sobre residuos de aparatos eléctricos y electrónicos y su aplicación de acuerdo con la legislación nacional, las herramientas eléctricas cuya vida útil haya llegado a su fin se deberán recoger por separado y trasladar a una planta de reciclaje que cumpla con las exigencias ecológicas.

Uso previsto

ENE016-1

La herramienta se ha diseñado para recoger polvo húmedo y seco.

Alimentación

ENF001-1

La herramienta debe conectarse solamente a una fuente de alimentación de la misma tensión que la indicada en la placa de características, y sólo puede funcionar con corriente alterna monofásica. Esta herramienta debe estar conectada a tierra (a masa) durante su uso para proteger al operario de descargas eléctricas. Utilice sólo cables prolongadores de tres hilos que tengan enchufes con conexión a tierra de tres clavijas y receptáculos de tres clavijas que admitan el enchufe de la herramienta.

ADVERTENCIAS DE SEGURIDAD DE LA ASPIRADORA

ENB119-5

⚠ ¡ADVERTENCIA! IMPORTANTE, LEA CON CUIDADO todas las instrucciones y advertencias de seguridad ANTES DEL USO. La no observancia de las advertencias y las instrucciones puede provocar descargas eléctricas, incendios y/o lesiones graves.

1. **Antes del uso, asegúrese de que la aspiradora sea utilizada por personas que hayan recibido una instrucción adecuada sobre el uso de esta aspiradora.**
2. **Utilice únicamente la toma de la aspiradora para las finalidades especificadas en las instrucciones.**
3. **Si se expulsa espuma/líquido, apague la herramienta inmediatamente.**
4. **Limpie periódicamente el dispositivo de limitación del nivel del agua y examínelo en busca de signos de daños.**
5. **No utilice la aspiradora sin el filtro. Sustituya un filtro dañado inmediatamente.**
6. **USO DE UN CABLE PROLONGADOR.** Cuando utilice un cable prolongador a causa de la gran distancia a la fuente de alimentación, intente emplear un cable que tenga un grosor suficiente pero que no sea demasiado largo, ya que el rendimiento de la aspiradora podría verse afectado. Para aplicaciones en exteriores, utilice un cable prolongador adecuado para su uso en exteriores.
7. **ADVERTENCIA DE VOLTAJE:** Antes de conectar la aspiradora a una fuente de alimentación (enchufe, toma de corriente, etc.) asegúrese de que el voltaje suministrado sea el mismo que el que se especifica en la placa de nombre de la aspiradora. Una fuente de alimentación con un voltaje superior al especificado para la aspiradora puede tener como resultado **LESIONES GRAVES** para el operador, así como daños en la aspiradora. En caso de duda, **NO ENCHUFE LA ASPIRADORA.** El uso de una fuente de alimentación con un voltaje inferior a la clasificación de la placa de nombre es perjudicial para el motor.
8. **EVITE LA PUESTA EN MARCHA ACCIDENTAL.** Asegúrese de que el interruptor esté en la posición de apagado antes de enchufar la herramienta.
9. **No intente aspirar materiales inflamables, productos de pirotecnia, cigarrillos encendidos, cenizas calientes, virutas de metal calientes,**

materiales afilados como cuchillas, agujas, cristales rotos o productos parecidos.

10. **NUNCA UTILICE LA ASPIRADORA CERCA DE GASOLINA, GAS, PINTURA, ADHESIVOS U OTRAS SUSTANCIAS ALTAMENTE EXPLOSIVAS.** El interruptor provoca chispas cuando se enciende o se apaga. También lo hace el conmutador del motor durante su funcionamiento. Se puede producir una explosión peligrosa.
11. **Nunca aspire productos tóxicos, cancerígenos, combustibles u otros productos peligrosos como amianto, arsénico, bario, berilio, plomo, pesticidas u otros materiales que pongan en peligro la salud.**
12. **Nunca utilice la aspiradora en exteriores bajo la lluvia.**
13. **No la utilice cerca de fuentes de calor (estufas, etc.).**
14. **PROTÉJASE DE DESCARGAS ELÉCTRICAS.** Evite el contacto del cuerpo con superficies conectadas a tierra. Por ejemplo, tuberías, radiadores, fogones de cocina y frigoríficos.
15. **No bloquee los orificios de refrigeración.** Estos orificios permiten la refrigeración del motor. Debe tenerse especial cuidado de evitar su bloqueo, ya que de lo contrario el motor se quemará por falta de ventilación.
16. **Mantenga la postura adecuada y el equilibrio en todo momento.**
17. **NO MALTRATE EL CABLE.** Nunca arrastre la aspiradora por el cable ni tire de él para desconectarla del enchufe. Mantenga el cable alejado del calor, aceite y bordes cortantes. Inspeccione el cable de la aspiradora periódicamente y, si está dañado, haga que lo reparen en un centro de reparación autorizado. Inspeccione los cables prolongadores periódicamente y sustitúyalos si están dañados.
18. **No doble la manguera, no tire de ella y no la pise.**
19. **Detenga la aspiradora inmediatamente si detecta un bajo rendimiento o cualquier anomalía durante el funcionamiento.**
20. **DESCONECTE LA ASPIRADORA.** Cuando no la utilice, antes de realizar el mantenimiento y cuando cambie accesorios.
21. **Limpie la aspiradora y realice su mantenimiento inmediatamente después de cada uso para mantenerla en perfecto estado de funcionamiento.**
22. **TRATE LA ASPIRADORA CON CUIDADO.** Mantenga la aspiradora limpia para un funcionamiento mejor y más seguro. Siga las instrucciones para cambiar los accesorios. Mantenga las asas, limpias y libres de aceite y grasa.
23. **COMPRUEBE LAS PIEZAS DAÑADAS.** Antes de seguir utilizando la aspiradora, si un protector o cualquier otra parte de la herramienta se ha dañado, debe inspeccionarse con detenimiento para determinar si funcionará correctamente y si cumplirá con su finalidad. Compruebe la alineación de las partes móviles, el libre movimiento de las partes móviles, la rotura de piezas, el montaje y cualquier otra condición que pueda afectar a su funcionamiento. Los protectores, o cualquier otra pieza que esté

- dañada, deben repararse correctamente en un centro de reparaciones autorizado a menos que se indique lo contrario en este manual de instrucciones. Haga que se reemplacen los interruptores defectuosos en un servicio de reparación autorizado. No utilice la aspiradora si el interruptor no la enciende y la apaga.
24. **PIEZAS DE REPUESTO.** Al reparar una herramienta, utilice sólo piezas de repuesto idénticas.
 25. **ALMACENE LA ASPIRADORA CUANDO NO LA UTILICE.** Cuando no la utilice, la aspiradora se debe guardar a cubierto.
 26. **Trate la aspiradora con cuidado. Un manejo brusco puede provocar roturas incluso en la aspiradora más robusta.**
 27. **No intente limpiar el exterior o el interior con benceno, disolventes o productos químicos de limpieza. Se pueden provocar grietas y decoloración.**
 28. **No utilice la aspiradora en un espacio cerrado en el que haya gases inflamables, tóxicos o explosivos provocados por pinturas de base de aceite, disolvente de pinturas, gasolina, sustancias contra polillas, etc., o en áreas en las que hay polvo inflamable.**
 29. **No deje el cable de la aspiradora en el suelo cuando haya finalizado un trabajo de limpieza. Puede convertirse en un peligro de tropiezo o puede causar daños en la aspiradora.**
 30. **No utilice esta ni ninguna herramienta bajo la influencia de drogas o alcohol.**
 31. **Como regla de seguridad básica, utilice gafas de seguridad con protecciones laterales.**
 32. **Utilice una máscara contra el polvo en condiciones de trabajo polvoristas.**
 33. **Esta máquina no se ha diseñado para ser utilizada por personas, incluidos niños, con capacidades físicas, mentales o sensoriales reducidas o con falta de experiencia y conocimientos.**
 34. **Vigile a los niños pequeños para que no utilicen la aspiradora como un juguete.**
 35. **Nunca manipule el cable o la aspiradora con las manos húmedas.**
 36. **Tenga especial cuidado cuando aspire en escaleras.**
 37. **No utilice la aspiradora como silla o banco de trabajo. La máquina puede caer y se pueden provocar lesiones personales.**

CONSERVELAS PARA FUTURAS CONSULTAS

⚠ ADVERTENCIA:
NO deje que la comodidad o la familiaridad con el producto (a base de utilizarlo repetidamente) sustituya la estricta observancia de las normas de seguridad del producto en cuestión. El **MAL USO** o la no observancia de las normas de seguridad expuestas en este manual de instrucciones pueden ocasionar graves daños corporales.

DESCRIPCIÓN DEL FUNCIONAMIENTO

⚠ ADVERTENCIA:

- **Antes de enchufar la aspiradora, asegúrese siempre de que la aspiradora esté apagada.** Si enchufa la aspiradora con el interruptor encendido, puede provocar una puesta en marcha inesperada que puede provocar graves lesiones personales.

Accionamiento del interruptor (Fig. 1)

Para poner la aspiradora en marcha, ponga la palanca del interruptor en el lado "I". Para detenerla, ponga la palanca del interruptor en el lado "O".

La potencia de succión se puede ajustar en función de sus necesidades de trabajo. (Fig. 2)

La potencia de succión se puede aumentar girando el mando de ajuste de la fuerza de succión desde el símbolo ↶ hasta el símbolo ↷.

Conexión de herramientas eléctricas

⚠ ADVERTENCIA:

- Respete las cargas conectadas máximas para la toma de corriente (consulte las ESPECIFICACIONES.)
- Asegúrese de que la aspiradora y la herramienta eléctrica estén apagadas antes de conectarlas o desconectarlas. La conexión de la herramienta eléctrica a la aspiradora con ambas encendidas puede provocar una puesta en marcha accidental y repentina que puede provocar graves lesiones personales.

Cuando conecte una herramienta con conexión a tierra, inserte un enchufe con una placa de conexión a tierra en la toma de corriente de la aspiradora. (Fig. 3)

⚠ PRECAUCIÓN:

- Nunca conecte una herramienta eléctrica con una potencia de entrada que exceda la especificada en las "ESPECIFICACIONES" de la toma de corriente de la aspiradora girando el mando de ajuste de la fuerza de succión. La conexión de una herramienta eléctrica que exceda la potencia de entrada especificada puede provocar un sobrecalentamiento y daños en la aspiradora. Consulte las especificaciones para evitarlo.

La aspiradora se puede conectar a una herramienta eléctrica hasta la potencia de entrada que se muestra en las "ESPECIFICACIONES".

Para conectar una herramienta eléctrica, abra la tapa e inserte el enchufe de la herramienta eléctrica en la toma de corriente de la aspiradora.

Gire la palanca del interruptor hasta la posición "AUTO". (Fig. 2)

Mueva el mando de ajuste de la fuerza de succión hasta la posición adecuada para la potencia de entrada de la herramienta eléctrica que piensa utilizar. Consulte en las ESPECIFICACIONES la relación entre el mando de ajuste de la fuerza de succión y la potencia de entrada de la herramienta eléctrica.

Al encender o apagar la herramienta eléctrica se enciende o se apaga simultáneamente la aspiradora. La aspiradora sigue funcionando durante unos segundos incluso después de apagar la herramienta eléctrica.

Tras su uso, desconecte la herramienta eléctrica de la toma de corriente de la aspiradora.

Apague la aspiradora tras su uso.

Detención de la succión automática durante la operación

ADVERTENCIA:

- **No la utilice durante un período de tiempo prolongado cuando el flotador esté activado.** El uso de la aspiradora con el flotador activado durante un período prolongado de tiempo puede causar sobrecalentamiento, lo que tendría como resultado la deformación de la aspiradora.
- **No aspire espuma o jabón líquido.** Si aspira espuma o jabón líquido puede salir espuma por la salida de aire antes de que el flotador entre en funcionamiento. La prolongación del uso en este estado puede provocar una descarga eléctrica y la rotura de la aspiradora.

La aspiradora tiene un mecanismo de flotador que impide que el agua inunde el motor cuando se recoge más de una cierta cantidad de agua.

Cuando el depósito esté lleno y la aspiradora ya no recoja agua, apague la aspiradora y vacíe el depósito.

Instalación del soporte (Fig. 4)

Cuando conecte una herramienta eléctrica, fije el cable de alimentación y la manguera usando los soportes a 70 cm - 80 cm de distancia entre los soportes que se proporcionan con la aspiradora de forma que la manguera no se enrede con el cable de la fuente de alimentación.

Uso del gancho de la base

PRECAUCIÓN:

- **Tenga cuidado de que sus dedos no queden atrapados cuando cierre el gancho de la base.** De lo contrario, puede sufrir lesiones personales.

NOTA:

- No aplique una fuerza excesiva al gancho de la base. Una fuerza excesiva en el gancho de la base puede dañarlo. Cierre el gancho de la base cuando no se utilice.

La apertura del gancho de la base permite el siguiente uso.

1. Almacenamiento del cable de alimentación

NOTA:

- **No utilice la aspiradora o una herramienta eléctrica conectada con un cable de alimentación atado al gancho de la base.** El uso de la aspiradora o de la herramienta eléctrica conectada con el cable de alimentación puede provocar daños en el cable de alimentación. (Fig. 5)

2. Almacenamiento de los manguitos frontales

Se pueden almacenar los manguitos frontales 22, 24 y 38 (dos cada vez.) (Fig. 6)

3. Almacenamiento de la manguera (Fig. 7)

- 4. **Reposo de una herramienta eléctrica de tamaño razonable para el gancho de la base, como una sierra circular.** (Fig. 8)

Bloqueo o desbloqueo de la rueda

Para los modelos VC1310L y VC2510L (Fig. 9)

Para el modelo VC3210L (Fig. 10)

Para bloquear la rueda con un tope, baje la palanca de bloqueo y la rueda dejará de girar. Para liberar la rueda de la posición de bloqueo levante la palanca de bloqueo. El bloqueo de la rueda es útil cuando se almacena la aspiradora, se detiene el trabajo y se mantiene la aspiradora quieta.

Para utilizar el tope, muévelo a mano.

NOTA:

- Cuando mueva la aspiradora asegúrese de que la rueda esté desbloqueada. El desplazamiento de la aspiradora con la rueda en la posición de bloqueo puede dañar la rueda.

MONTAJE

PRECAUCIÓN:

- Asegúrese siempre de que la aspiradora esté apagada y desenchufada antes de intentar realizar cualquier trabajo en ella.

Instalación del filtro de agua (Fig. 11)

Para recoger agua o polvo húmedo, retire el filtro previo y el amortiguador y utilice un filtro de agua.

Cuando instale el filtro de agua en el depósito, ajústelo apretado a la abertura del depósito de forma que el gancho del filtro de agua se acople a la abertura del depósito firmemente y no haya espacio entre el filtro de agua y el depósito. (Fig. 12)

Asimismo, instale el filtro de agua de forma que se pueda alinear la marca de la posición de montaje.

NOTA:

- Los modelos VC2510L y VC3210L no tienen ninguna marca de posición de montaje y no necesitan alinearla.

Instalación de la bolsa de papel

ADVERTENCIA:

- Cuando utilice la bolsa de papel, utilice también el filtro previo que está preinstalado en la herramienta. Si no se utiliza el filtro previo de forma conjunta se pueden provocar ruidos y calor inusuales y se puede provocar un incendio.

PRECAUCIÓN:

- Nunca recoja agua u otros líquidos o polvos húmedos cuando utilice la bolsa de papel. La recogida de esas sustancias puede provocar la rotura de la bolsa de papel.
 1. Extraiga el soporte de goma. (Fig. 13)
 2. Extienda la bolsa de papel.
 3. Alinee la abertura de la bolsa de papel con la abertura de succión de polvo de la aspiradora. (Fig. 14 y 15)
 4. Inserte el cartón de la bolsa de papel en la parte superior de forma que quede colocado en el extremo que está más allá del saliente de marca.

Instalación del soporte del tubo (accesorio opcional)

Para el modelo VC1310L solamente

Ejercer presión sobre el gancho del cable como se muestra en la figura. (Fig. 16)

Acople el soporte del tubo al gancho del cable. (Los ganchos están apartados de la cubierta del depósito.)

Levante el soporte del tubo de forma que los ganchos entren en contacto con la cubierta del depósito y pulse la sección A del soporte del tubo. (Fig. 17)

Pulse la sección A con gran fuerza y, ejerciendo presión sobre la sección A, baje el soporte del tubo. (Fig. 18)
Encaje los dos salientes del soporte del tubo en las ranuras de la cubierta del depósito y ejerza presión sobre el soporte del tubo. (Fig. 19 y 20)

NOTA:

- El soporte del tubo que está más bajado de la posición prevista no se puede instalar en el gancho del cable con el gancho alejado de la cubierta del depósito como se muestra en la figura. (Fig. 21)

NOTA:

- Asegúrese de que los dos ganchos del soporte del tubo estén enganchados en la cubierta del depósito de forma segura. (Fig. 22)

Conexión de una manguera

⚠ PRECAUCIÓN:

- Nunca fuerce la manguera para doblarla o fijarla. Nunca mueva la aspiradora por una manguera. Forzar la manguera, golpearla o tirar de ella puede provocar una rotura o una deformación de la misma.
- Cuando recoja residuos de gran tamaño, como virutas de una cepilladora, polvo de hormigón u otros residuos similares que no sean pequeños, use la manguera de 38 mm de diámetro interior (accesorio opcional). El uso de la manguera de 28 mm de diámetro interior puede provocar atascos en la manguera y daños.

Inserte la manguera en el puerto de montaje del depósito y gírela en el sentido de las agujas del reloj hasta que se bloquee. (Fig. 23)

Instalación de la bolsa de polietileno

La aspiradora también se puede usar sin una bolsa de polietileno. No obstante, si se usa una bolsa de polietileno resulta más fácil vaciar el depósito sin ensuciarse las manos.

Despliegue la bolsa de polietileno en el depósito.

Insértela entre la placa del soporte y el depósito y tire de ella hacia la entrada de la manguera. (Fig. 24)

Despliegue la bolsa por la parte superior del depósito. Enganche el otro extremo de la bolsa alrededor de la parte superior del depósito de forma que el gancho del filtro previo pueda atraparla y sujetarla de forma segura. (Fig. 25)

NOTA:

- Se pueden utilizar bolsas de polietileno disponibles comercialmente. Se recomienda una de 0,04 mm o de un grosor superior.
- Demasiado polvo romperá la bolsa fácilmente, así que no recoja más polvo del que cabe en la mitad de la bolsa.

Vaciado de la bolsa de polietileno

⚠ ADVERTENCIA:

- Asegúrese siempre de que la aspiradora esté apagada y desenchufada antes de vaciar la bolsa de polietileno. En caso contrario, se puede producir una descarga eléctrica y graves lesiones personales.

⚠ PRECAUCIÓN:

- No ejerza una gran fuerza sobre el filtro de polvo y el depósito. Si aplica una gran fuerza se pueden provocar deformaciones y se pueden dañar el filtro de polvo y el depósito.
- Vacíe el depósito como mínimo una vez al día, aunque esto depende del volumen de polvo recogido en el depósito. O bien, la fuerza de succión se debilitará y el motor puede romperse.
- No coja el gancho cuando vacíe el depósito. Si coge el gancho puede hacer que se rompa.

Desenganche y levante la cubierta del depósito. (Fig. 26)

Sacuda el polvo del filtro de polvo, el amortiguador y el filtro previo y después saque la bolsa de polietileno del depósito. (Fig. 27)

NOTA:

- Saque con mucho cuidado la bolsa de polietileno del depósito de forma que la bolsa de polietileno no pueda quedar atrapada ni se pueda romper dentro del depósito cuando la vacíe.
- Vacíe la bolsa de polietileno antes de que esté llena. Demasiado polvo en el depósito puede provocar que la bolsa de polietileno se rompa.

Instalación del filtro de polvo (Fig. 11)

Coloque el filtro previo en el depósito.

A continuación, monte el amortiguador en el filtro de polvo y después coloque el filtro previo.

Cuando instale el filtro de polvo y el filtro previo, la marca de posición de montaje de cada uno se alineará con la de la parte superior del depósito.

Finalmente, monte la cubierta del depósito.

NOTA:

- Los modelos VC2510L y VC3210L no tienen ninguna marca de posición de montaje y no necesitan alinearla.
- Antes de utilizar el filtro de polvo, asegúrese de que el filtro previo y el amortiguador siempre se utilicen juntos. No se permite instalar solamente el filtro de polvo.
- Antes de utilizar la bolsa de papel, asegúrese de que el filtro de polvo, el amortiguador y el filtro previo siempre se utilicen juntos.

Transporte de la aspiradora (Fig. 28)

Cuando transporte la aspiradora, hágalo sujetando el asa de la cabeza como se muestra en la figura. El asa se puede retraer en la cabeza cuando no se usa.

MANTENIMIENTO

⚠ PRECAUCIÓN:

- Asegúrese siempre de que la herramienta esté apagada y desenchufada antes de intentar realizar cualquier trabajo de inspección o mantenimiento en ella.

Almacenamiento del cable de alimentación

Para el modelo **VC1310L solamente (Fig. 29 y 30)**
Extraiga el gancho del cable o abra el gancho de la base. Enrolle el cable de alimentación y cuélguelo del gancho del cable o enróllelo alrededor del gancho de la base.

NOTA:

- No fuerce el cable de alimentación para extraerlo del gancho del cable cuando intente desconectarlo de él. Si fuerza la desconexión del cable de alimentación puede causar daños en el mismo.

Para los modelos **VC2510L y VC3210L (Fig. 31 y 32)**
Enrolle el cable de alimentación alrededor del gancho de la base.

Almacenamiento de accesorios

NOTA:

- No aplique una fuerza excesiva a los accesorios sujetados por el soporte del tubo. La aplicación de una fuerza excesiva a esos accesorios puede dañar el soporte del tubo.

Para el modelo **VC1310L solamente (Fig. 33)**

El soporte del tubo se puede usar para almacenar un tubo recto, un tubo doblado, una boquilla para esquinas y elementos similares simplemente insertando esos accesorios.

Los tubos se pueden colocar en el soporte del tubo cuando también se deje de usar la aspiradora durante un rato. (Fig. 34)

Para los modelos **VC2510L y VC3210L (Fig. 35)**

El apoyo del tubo se puede usar para almacenar un tubo recto, un tubo doblado y otros elementos simplemente insertando esos accesorios. (Fig. 36)

Los tubos se pueden colocar en el soporte del tubo cuando también se deje de usar la aspiradora durante un rato.

Limpieza

⚠ PRECAUCIÓN:

- Nunca utilice gasolina, benceno, disolvente, alcohol o un producto similar. Se puede provocar una decoloración, una deformación o grietas.

El filtro de polvo, el filtro previo y el amortiguador sucios pueden provocar un bajo rendimiento de succión.

(Fig. 37)

Limpie los filtros y los amortiguadores de vez en cuando. Para retirar polvo o partículas que se adhieren a los filtros, sacuda varias veces la parte inferior del bastidor. Ocasionalmente, lave el filtro de polvo con agua, aclárelo y séquelo a conciencia a la sombra antes de su uso. Nunca lave filtros en una lavadora. (Fig. 38)

NOTA:

- No frote ni raye el filtro de polvo, el filtro previo o el amortiguador con objetos duros, como un cepillo y una pala.
- Los filtros son artículos de consumo y se recomienda tener recambios para ellos.

Para mantener la **SEGURIDAD** y la **FIABILIDAD** del producto, las reparaciones y cualquier otra tarea de mantenimiento o ajuste deberán ser realizadas en centros

de servicio autorizados por Makita, utilizando siempre repuestos Makita.

ACCESORIOS OPCIONALES

⚠ PRECAUCIÓN:

- Se recomienda el uso de estos accesorios o complementos con la herramienta Makita especificada en este manual. El uso de otros accesorios o complementos puede conllevar el riesgo de ocasionar daños corporales. Utilice los accesorios o complementos solamente para su fin establecido.

Si necesita cualquier ayuda para obtener más información relativa a estos accesorios, pregunte a su centro de servicio Makita local.

- Manguera
- Manguitos frontales (22, 24, 38)
- Tubo recto
- Boquilla para esquinas
- Cepillo redondo
- Filtro de polvo (para tipo seco)
- Amortiguador
- Filtro previo
- Ensamblaje de la boquilla
- Tubo doblado
- Bolsa de polietileno
- Filtro (para agua)
- Bolsa de papel
- Conjunto de soportes
- Soporte del tubo (para el modelo VC1310L solamente)

NOTA:

- Algunos elementos de la lista se pueden incluir en el paquete de la herramienta como accesorios estándar. Pueden ser diferentes de un país a otro.

Ruido

ENG905-1

Nivel típico de ruido ponderado A determinado conforme a EN/IEC60704:

Modelo **VC1310L**

Nivel de presión de sonido (L_{pA}): 72 dB (A)
Incertidumbre (K): 2,5 dB (A)

El nivel de ruido durante el trabajo puede superar los 80 dB (A).

Modelo **VC2510L, VC3210L**

Nivel de presión de sonido (L_{pA}): 73 dB (A)
Incertidumbre (K): 2,5 dB (A)

El nivel de ruido durante el trabajo puede superar los 80 dB (A).

Utilice protección para los oídos.

Solo para países europeos

ENH038-3

Declaración de conformidad de la CE

Makita declara que las siguientes máquinas:

Designación de la máquina:

Aspiradora

Nº de modelo/ Tipo: VC1310L, VC2510L, VC3210L

Cumplen con las siguientes Directivas europeas:
2006/42/CE

Se han fabricado de acuerdo con los siguientes estándares o documentos estandarizados:

EN60335

El archivo técnico de acuerdo con 2006/42/CE está disponible en:

Makita, Jan-Baptist Vinkstraat 2, 3070, Bélgica

31. 7. 2014

A handwritten signature in black ink, appearing to read 'Yasushi Fukaya', written in a cursive style.

Yasushi Fukaya

Director

Makita, Jan-Baptist Vinkstraat 2, 3070, Bélgica

PORTUGUÊS (Instruções de origem)

Descrição geral

- | | | |
|---|-------------------------------------|----------------------------------|
| 1. Botão de regulação da força de aspiração | 14. Filtro de pó | 27. Pressione com força e baixe |
| 2. Alavanca do interruptor | 15. Recipiente | 28. Saliência do suporte do tubo |
| 3. Tampa | 16. Pré-filtro | 29. Encaixe |
| 4. Cabo de alimentação | 17. Depósito | 30. Gancho |
| 5. Suporte | 18. Marcação da posição de montagem | 31. Placa do suporte |
| 6. Gancho da base | 19. Filtro de água | 32. Saco de polietileno |
| 7. Adaptadores frontais | 20. Suporte de borracha | 33. Pega |
| 8. Tubo flexível | 21. Saco de papel | 34. Cabeça |
| 9. Roda | 22. Gancho do cabo | 35. Gancho do cabo |
| 10. Alavanca do batente | 23. Prima | 36. Tubo recto |
| 11. Posição LIVRE | 24. Suporte do tubo | 37. Bocal para cantos |
| 12. Posição de BLOQUEIO | 25. Secção A | 38. Batente |
| 13. Tampa do depósito | 26. Ganchos | |

ESPECIFICAÇÕES

Modelo		VC1310L / VC2510L / VC3210L					
		EU	AU/NZ	GB 110V	GB 230V	CL	AR/CH
Tensão	Volts	230 - 240	230 - 240	110	230 - 240	220	230 - 240
Consumo de energia	Watts	1.050	1.050	1.050	1.050	1.050	1.050
Carga ligada para tomada do aparelho	Watts no modo de símbolo	2.400	1.200	600	1.900	2.200	1.100
Carga ligada para tomada do aparelho	Watts no modo de símbolo	2.600	1.400	850	2.100	2.500	1.400
Carga total ligada	Watts	3.450	2.250	1.650	2.950	3.250	2.150

Modelo		VC1310L	VC2510L	VC3210L
Caudal do volume (ar)		2,0 m ³ /min		
Vácuo		22 kPa		
Classe de protecção		1		
Tipo de protecção		IP X4 (à prova de salpicos)		
Capacidade recuperável	Pó	13L	25L	32L
	Água	7L	14L	27L
Dimensões (C x L x A)		366 mm x 334 mm x 420 mm	432 mm x 416 mm x 451 mm	552 mm x 398 mm x 685 mm
Peso líquido		9,6 kg	10,5 kg	14,5 kg

- Devido à pesquisa e desenvolvimento constantes, estas especificações estão sujeitas a alteração sem aviso prévio.
- Estas especificações podem diferir de país para país.
- Peso de acordo com procedimento EPTA de 01/2003

Símbolos

END108-5

Descrição dos símbolos utilizados no equipamento.
Certifique-se de que compreende o seu significado, antes da utilização.



..... Apenas para países da UE
Não deite equipamentos eléctricos no lixo doméstico!
De acordo com a directiva europeia sobre ferramentas eléctricas e electrónicas usadas e a sua aplicação em conformidade com as leis nacionais, as ferramentas eléctricas usadas devem ser recolhidas em separado e encaminhadas para uma instalação de reciclagem dos materiais ecológicos.

..... Leia o manual de instruções.

..... Aviso! O aspirador pode conter pó perigoso.

..... Nunca se coloque sobre o aspirador.

Utilização prevista

ENE016-1

A ferramenta destina-se a recolher pó húmido e seco.

Fonte de alimentação

ENF001-1

A ferramenta apenas deve ser ligada a uma fonte de alimentação da mesma tensão que a indicada na chapa de especificações, e apenas pode funcionar com uma alimentação CA monofásica. Esta ferramenta deve estar ligada à terra durante a utilização para proteger o utilizador de choques eléctricos. Utilize apenas cabos de extensão de três fios que têm fichas de ligação à terra com três pernos e receptáculos de três pernos que aceitam a ficha da ferramenta.

AVISOS DE SEGURANÇA DO ASPIRADOR DE PÓ

ENB119-5

⚠ AVISO! IMPORTANTE LEIA ATENTAMENTE todos os avisos de segurança e todas as instruções ANTES DA UTILIZAÇÃO. O não cumprimento dos avisos e instruções pode resultar na ocorrência de choques eléctricos, incêndios e/ou ferimentos graves.

1. **Antes da utilização, certifique-se de que este aspirador é utilizado por pessoas que foram correctamente instruídas acerca da utilização do mesmo.**
2. **Utilize apenas a saída de tomada no aspirador para finalidades especificadas nas instruções.**
3. **Se espuma/líquido sair, desligue imediatamente.**
4. **Limpe regularmente o dispositivo de limitação do nível de água e inspecione-o por danos.**
5. **Não utilize o aspirador sem o filtro. Substitua imediatamente um filtro danificado.**
6. **UTILIZAÇÃO DO CABO DE EXTENSÃO.** Ao utilizar um cabo de extensão devido à grande distância à fonte de alimentação, tente utilizar um cabo suficientemente espesso mas não demasiado longo ou o desempenho do aspirador será afectado. Para aplicações exteriores, use um cabo de extensão adequado para utilização exterior.
7. **AVISO DE TENSÃO:** Antes de ligar o aspirador a uma fonte de alimentação (receptáculo, tomada, etc.), certifique-se de que a tensão fornecida é igual à tensão especificada na placa de características do aspirador. Uma fonte de alimentação com tensão superior à tensão especificada para o aspirador pode resultar em **DANOS GRAVES** para o utilizador assim como danos no aspirador. Em caso de dúvida, **NÃO LIGUE O ASPIRADOR.** Utilizar uma fonte de alimentação com tensão inferior à classificação da placa de características é nocivo para o motor.
8. **EVITE ARRANQUES ACIDENTAIS.** Certifique-se de que o interruptor está desligado quando ligar a ferramenta à tomada.
9. **Não tente apanhar materiais inflamáveis, fogo de artifício, cigarros acesos, cinzas quentes, aparas de metal quentes, materiais pontiagudos como lâminas, agulhas, vidro partido ou algo semelhante.**
10. **NUNCA UTILIZE O ASPIRADOR PERTO DE GASOLINA, GÁS, TINTA, ADESIVOS OU OUTRAS SUBSTÂNCIAS ALTAMENTE EXPLOSIVAS.** O interruptor emite faíscas quando é ligado e desligado. Assim como o comutador do motor durante o funcionamento. Pode provocar uma explosão perigosa.

11. **Nunca aspire materiais tóxicos, carcinogénicos, combustíveis ou perigosos como amianto, arsénico, bórico, chumbo, pesticidas ou outros materiais perigosos para a saúde.**
12. **Nunca utilize o aspirador à chuva.**
13. **Não utilize perto de fontes de calor (fornos, etc.).**
14. **PROTEJA-SE CONTRA CHOQUES ELÉTRICOS.** Evite contacto físico com superfícies aterradas. Por exemplo; tubos, radiadores, armários de frigorífico.
15. **Não bloqueie as aberturas de arrefecimento.** Estas aberturas permitem o arrefecimento do motor. Deve evitar cuidadosamente o bloqueio, caso contrário, o motor irá sobreaquecer devido a falta de ventilação.
16. **Mantenha-se sempre bem equilibrado e apoiado.**
17. **NÃO ABUSE DO CABO.** Nunca transporte o aspirador pelo cabo nem o puxe para o desligar da tomada. Mantenha o cabo longe de fontes de calor, óleo ou pontas afiadas. Inspeccione os cabos do aspirador periodicamente e caso esteja danificado, entregue o aspirador a um distribuidor autorizado para reparação. Inspeccione as extensões periodicamente e substitua-as, caso estejam danificadas.
18. **Não dobre, puxe nem pise o tubo flexível.**
19. **Desligue imediatamente o aspirador se detectar um mau desempenho ou algo anormal durante o funcionamento.**
20. **DESLIGUE O ASPIRADOR.** Quando não o utilizar, antes da manutenção e quando substituir os acessórios.
21. **Limpe e efectue imediatamente a manutenção do aspirador após cada utilização para mantê-lo numa condição de funcionamento perfeita.**
22. **MANTENHA O ASPIRADOR COM CUIDADO.** Mantenha o aspirador limpo para um desempenho melhor e mais seguro. Siga as instruções para substituir os acessórios. Mantenha as pegas secas, limpas e sem óleo ou gordura.
23. **VERIFIQUE AS PEÇAS DANIFICADAS.** Antes de voltar a utilizar o aspirador, uma protecção ou outra peça danificada, verifique-a com cuidado para se certificar de que funciona correctamente. Verifique o alinhamento das peças móveis, união das peças móveis, se há peças partidas, a sua montagem e outras condições que possam afectar o funcionamento do aspirador. A protecção ou outra peça danificada deve ser reparada convenientemente ou substituída por um agente autorizado a não ser que o manual de instruções indique em contrário. Consulte um centro de assistência autorizado para substituir os interruptores defeituosos. Não utilize o aspirador se o interruptor não o ligar ou desligar.
24. **PEÇAS SOBRESSELENTES.** Durante a manutenção, utilize apenas peças sobresselentes idênticas.
25. **ARMAZENE O ASPIRADOR.** Quando não em utilização, o aspirador deve ser guardado num espaço interior.
26. **Tenha cuidado com o seu aspirador.** Um mau manuseamento pode causar quebras mesmo no aspirador mais robusto.

27. Não tente limpar o exterior ou o interior com benzina, diluente ou químicos de limpeza. Pode causar fissuras e descoloração.
28. Não utilize o aspirador em espaços fechados, nos quais são libertados vapores inflamáveis, explosivos ou tóxicos através de tinta à base de óleo, diluente, gasolina, algumas substâncias antitraças, etc., ou em áreas onde existe pó inflamável.
29. Não deixe o cabo do aspirador no chão após ter concluído um trabalho de limpeza. As pessoas podem tropeçar e pode causar danos no aspirador.
30. Não utilize o aspirador ou qualquer outra ferramenta sob a influência de drogas ou álcool.
31. Como regra básica de segurança, use óculos de segurança com protecções laterais.
32. Use uma máscara anti-poeiras em condições de trabalho poeirentas.
33. Esta máquina não se destina a ser utilizado por pessoas incluindo crianças com aptidões físicas, sensoriais ou mentais reduzidas ou com falta de experiência ou conhecimento.
34. As crianças devem ser supervisionadas de modo a assegurar que não brincam com o aspirador.
35. Nunca manuseie o fio eléctrico ou o aspirador com as mãos húmidas.
36. Tenha muito cuidado ao limpar em escadas.
37. Não utilize o aspirador como um banco ou bancada de trabalho. A máquina pode cair e resultar em ferimentos pessoais.

GUARDE PARA REFERÊNCIA FUTURA

⚠ AVISO:

NÃO deixe que o conforto ou familiaridade com o produto (obtida de uma utilização regular) substituam um cumprimento severo das regras de segurança do produto em causa. Uma UTILIZAÇÃO INCORRECTA ou não cumprimento das regras de segurança indicadas neste manual de instruções podem provocar ferimentos pessoais sérios.

DESCRIÇÃO DO FUNCIONAMENTO

⚠ AVISO:

- Antes de ligar o aspirador, certifique-se sempre de que este está desligado. Ligar o aspirador com o interruptor ligado pode causar um arranque inesperado, resultando em ferimentos pessoais graves.

Ação do interruptor (Fig. 1)

Para ligar o aspirador, rode a alavanca do interruptor para o lado "I". Para o desligar, rode a alavanca do interruptor para o lado "O".

A potência de aspiração pode ser ajustada de acordo com as necessidades de trabalho. (Fig. 2)

A potência de aspiração pode ser aumentada rodando o botão de regulação da força de aspiração do símbolo ↺ para o símbolo ↻.

Ligar ferramentas eléctricas

⚠ AVISO:

- Observe as cargas máximas ligadas para a tomada do aparelho (Consulte as ESPECIFICAÇÕES.)
- Certifique-se de que o aspirador e a ferramenta eléctrica estão desligados antes de ligar ou desligar. Ligar a ferramenta eléctrica ao aspirador com ambos ligados pode causar um arranque inesperado e repentino, resultando em ferimentos pessoais graves.

Ao ligar uma ferramenta aterrada, introduza uma ficha com uma placa de ligação à terra na tomada do aspirador. (Fig. 3)

⚠ PRECAUÇÃO:

- Nunca ligue uma ferramenta eléctrica, com uma potência de entrada superior à potência especificada em "ESPECIFICAÇÕES", à tomada do aspirador rodando o botão de regulação da força de aspiração. Ligar a ferramenta eléctrica com uma potência de entrada superior àquela especificada, pode causar um sobreaquecimento e danificar o aspirador. Consulte as especificações para evitar isto.

O aspirador pode ser ligado a uma ferramenta eléctrica com uma potência de entrada equivalente àquela indicada nas "ESPECIFICAÇÕES".

Para ligar uma ferramenta eléctrica, abra a tampa e introduza a ficha da ferramenta eléctrica na tomada do aspirador.

Rode a alavanca do interruptor para a posição "AUTO". (Fig. 2)

Desloque o botão de regulação da força de aspiração para a posição adequada à potência de entrada da ferramenta eléctrica que pretende usar. Consulte as ESPECIFICAÇÕES para a relação entre o botão de regulação da força de aspiração e a potência de entrada da ferramenta eléctrica.

O ligar e desligar da ferramenta eléctrica resulta simultaneamente na acção de ligar e desligar do aspirador. O aspirador ainda funciona durante alguns segundos mesmo após a ferramenta eléctrica ser desligada.

Após a utilização, desligue a ferramenta eléctrica da tomada do aspirador.

Desligue o aspirador após a utilização.

Paragem de aspiração automática durante a operação de aspiração

⚠ AVISO:

- Não utilize durante muito tempo enquanto o flutuador está em funcionamento. Utilizar o aspirador com o flutuador em funcionamento durante muito tempo, pode causar sobreaquecimento, resultando na deformação do aspirador.
- Não aspire espuma ou líquido com sabão. Aspirar espuma ou líquido com sabão pode fazer com que a espuma saia pela saída de ar antes do flutuador funcionar. Continuar a utilização nesta condição pode causar choques eléctricos e quebras no aspirador.

O aspirador tem um mecanismo de flutuador que impede a entrada de água no motor ao aspirar certas quantidades de água.

Quando o depósito está cheio e o aspirador já não consegue aspirar água, desligue o aspirador e esvazie o depósito.

Instalar o suporte (Fig. 4)

Ao ligar uma ferramenta eléctrica, fixe o cabo de alimentação e o tubo flexível utilizando os suportes a 70 cm - 80 cm de distância entre os suportes que são fornecidos com o aspirador, de modo a que o tubo flexível não fique preso pelo cabo de alimentação.

Utilização do gancho da base

PRECAUÇÃO:

- **Tenha cuidado para não prender os dedos ao fechar o gancho da base.** Caso contrário, poderá causar ferimentos.

NOTA:

- Não aplique uma força excessiva no gancho da base. A força excessiva no gancho da base pode danificá-lo. Feche o gancho da base quando não o utilizar.

Abrir o gancho da base permite a utilização seguinte.

1. Guardar o cabo de alimentação

NOTA:

- **Não utilize o aspirador ou uma ferramenta eléctrica ligada com um cabo de alimentação enrolado no gancho da base.** Utilizando o aspirador ou a ferramenta eléctrica ligada com cabo de alimentação pode causar danos no cabo de alimentação. (Fig. 5)

2. Guardar os adaptadores frontais

Os adaptadores frontais 22, 24 e 38 podem ser guardados (até dois de cada vez.) (Fig. 6)

3. Guardar o tubo flexível (Fig. 7)

- **Pousar uma ferramenta eléctrica de tamanho razoável, no gancho da base, como uma serra circular.** (Fig. 8)

Bloquear ou desbloquear a roda

Para os modelos VC1310L e VC2510L (Fig. 9)

Para o modelo VC3210L (Fig. 10)

Para bloquear a roda com um batente, baixe a alavanca do batente e a roda não irá rodar mais. Para libertar a roda da posição bloqueada, eleve a alavanca do batente. Convém bloquear a roda quando guardar o aspirador, interromper o trabalho e quando quiser manter o aspirador parado.

Para utilizar o batente, mova-o à mão.

NOTA:

- Ao mover o aspirador, certifique-se de que a roda está desbloqueada. Mover o aspirador com a roda na posição bloqueada, pode causar danos na roda.

MONTAGEM

PRECAUÇÃO:

- Certifique-se sempre de que o aspirador está desligado no interruptor e da tomada antes de efectuar qualquer trabalho no mesmo.

Instalar o filtro de água (Fig. 11)

Para aspirar água ou pó húmido, retire o pré-filtro e o recipiente e, de seguida, use o filtro de água.

Ao instalar o filtro de água no depósito, instale-o bem na abertura do depósito para que o gancho do filtro de água encaixe bem na abertura do depósito e para que não haja espaço entre o filtro de água e o depósito. (Fig. 12)

Além disso, instale o filtro de água de modo a que a marcação da posição de montagem possa ser alinhada.

NOTA:

- Os modelos VC2510L e VC3210L não têm marcação da posição de montagem e não necessitam de alinhá-la.

Instalar o saco de papel

AVISO:

- Ao utilizar o saco de papel, use também o pré-filtro que está pré-instalado na ferramenta. Se não utilizar o pré-filtro, pode causar ruído e calor involuntários, resultando num incêndio.

PRECAUÇÃO:

- Nunca aspire água ou outros líquidos ou pós húmidos ao utilizar o saco de papel. Aspirar tais substâncias pode causar quebras no saco de papel.

1. Retire o suporte de borracha. (Fig. 13)
2. Alargar o saco de papel.
3. Alinhar a abertura do saco de papel com a abertura de aspiração de pó do aspirador. (Fig. 14 e 15)
4. Introduza o cartão do saco de papel na ferramenta para que esteja posicionado na extremidade além da saliência do detentor.

Instalar o suporte do tubo (acessório opcional)

Apenas para o modelo VC1310L

Pressione o gancho do cabo, como indicado na ilustração. (Fig. 16)

Instale o suporte do tubo no gancho do cabo. (Os ganchos estão afastados da tampa do depósito.)

Eleve o suporte do tubo até os ganchos entrarem em contacto com a tampa do depósito e prima a secção A do suporte do tubo. (Fig. 17)

Pressione a secção A com força e, com a secção A pressionada, baixe o suporte do tubo. (Fig. 18)

Encaixe duas saliências do suporte do tubo nas ranhuras da tampa do depósito e, de seguida, pressione o suporte do tubo. (Fig. 19 e 20)

NOTA:

- O suporte do tubo que está excessivamente mais baixo do que a posição pretendida, não pode ser instalado no gancho do cabo com o gancho afastado da tampa do depósito, como mostrado na figura. (Fig. 21)

NOTA:

- Certifique-se de que os dois ganchos do suporte do tubo estão bem engatados na tampa do depósito. (Fig. 22)

Ligar um tubo flexível

PRECAUÇÃO:

- Nunca force o tubo flexível para dobrar ou calcar. Nunca desloque o aspirador puxando por um tubo flexível. Forçar, calcar e puxar o tubo flexível, pode causar uma quebra ou deformação no tubo flexível.
- Ao aspirar resíduos grandes como aparas de plaina, poeira de betão ou algo semelhante, em vez de resíduos pequenos, use o tubo flexível de 38 mm de diâmetro interior (acessório opcional). Utilizar o tubo flexível de 28 mm de diâmetro interior pode causar obstruções e danos no mesmo.

Introduza o tubo flexível na porta de montagem do depósito e rode-o para a direita até bloquear. (Fig. 23)

Instalar o saco de polietileno

O aspirador também pode ser usado sem saco de polietileno. No entanto, é mais fácil esvaziar o depósito sem sujar as mãos, utilizando o saco de polietileno.

Espalhe o saco de polietileno no depósito. Introduza-o entre a placa do suporte e o depósito e puxe-o para a entrada do tubo flexível. (Fig. 24)

Espalhe o saco em torno da parte superior do depósito. Engate o outro lado do saco em torno da parte superior do depósito, de modo a que o gancho do pré-filtro possa apanhá-lo e fixá-lo em segurança. (Fig. 25)

NOTA:

- Pode ser utilizado um saco de polietileno disponível no mercado. É recomendado o saco de 0,04 mm ou maior.
- Demasiado pó irá rasgar o saco com facilidade, por isso, não ultrapasse metade da capacidade do saco ao recolher pó.

Esvaziar o saco polietileno

AVISO:

- Certifique-se sempre de que o aspirador está desligado e com o cabo desligado da corrente antes de esvaziar o saco de polietileno. Caso contrário, poderá causar choques eléctricos e ferimentos pessoais graves.

PRECAUÇÃO:

- Não aplique um impacto grande no filtro de pó e no depósito. Aplicar um impacto grande pode causar deformações e danos no filtro de pó e no depósito.
- Esvazie o depósito, no mínimo, uma vez por dia, apesar disto depender do volume de pó aspirado no depósito. Ou a força de aspiração irá reduzir e o motor pode avariar.
- Não agarre o gancho ao esvaziar o depósito. Agarrar no gancho pode fazer com que este se parta.

Desengate e leve a tampa do depósito. (Fig. 26)

Retire o pó do filtro de pó, recipiente e pré-filtro agitando-os e, de seguida, retire o saco de polietileno do depósito. (Fig. 27)

NOTA:

- Retire o saco de polietileno com cuidado, de modo a que este não fique preso nem se rasgue devido à saliência no interior do depósito, ao esvaziá-lo.

- Esvazie o saco de polietileno antes de estar cheio. Demasiado pó no depósito pode rasgar o saco de polietileno.

Instalar o filtro de pó (Fig. 11)

Coloque o pré-filtro no depósito.

De seguida, monte o recipiente no filtro de pó e, depois, coloque-o no pré-filtro.

Ao instalar o filtro de pó e o pré-filtro, a marcação da posição de montagem em cada um, está alinhada com a marcação na parte superior do depósito.

Por fim, monte a tampa do depósito.

NOTA:

- Os modelos VC2510L e VC3210L não têm marcação da posição de montagem e não necessitam de alinhá-la.
- Antes de utilizar o filtro de pó, certifique-se de que o pré-filtro e o recipiente são sempre usados juntos. Não pode instalar apenas o filtro de pó.
- Antes de utilizar o saco de papel, certifique-se de que o filtro de pó, o recipiente e o pré-filtro são sempre usados juntos.

Transportar o aspirador (Fig. 28)

Ao transportar o aspirador, transporte-o segurando a pega na cabeça, como mostrado na figura. A pega na cabeça é retráctil, quando não é utilizada.

MANUTENÇÃO

PRECAUÇÃO:

- Certifique-se sempre de que a ferramenta está desligada no interruptor e da tomada antes de inspecionar ou fazer a manutenção da ferramenta.

Armazenamento do cabo de alimentação

Apenas para o modelo VC1310L (Fig. 29 e 30)

Retire o gancho do cabo ou abra o gancho da base.

Enrole o cabo de alimentação e pendure-o no gancho do cabo ou enrole-o em torno do gancho da base.

NOTA:

- Não retire o cabo de alimentação do gancho do cabo à força, ao tentar desligá-lo do mesmo. Desligar o cabo de alimentação à força do gancho do cabo pode causar danos no cabo.

Para os modelos VC2510L e VC3210L (Fig. 31 e 32)

Enrole o cabo de alimentação em torno do gancho da base.

Armazenamento de acessórios

NOTA:

- Não aplique força excessiva nos acessórios que são segurados pelo suporte do tubo. Aplicar uma força excessiva nestes acessórios pode causar danos no suporte do tubo.

Apenas para o modelo VC1310L (Fig. 33)

O suporte do tubo pode ser utilizado para guardar o tubo recto, tubo dobrado, bocal para cantos e objectos semelhantes, introduzindo estes acessórios.

Os tubos também podem ser colocados no suporte do tubo quando interromper a utilização do aspirador durante algum tempo. (Fig. 34)

Para os modelos VC2510L e VC3210L (Fig. 35)

O repouso do tubo pode ser utilizado para guardar o tubo recto, tubo dobrado e outros objectos semelhantes, introduzindo estes acessórios. (Fig. 36)

Os tubos também podem ser colocados no suporte do tubo quando interromper a utilização do aspirador durante algum tempo.

Limpeza

⚠️ PRECAUÇÃO:

- Nunca utilize gasolina, benzina, diluente, álcool ou semelhante. Podem formar-se descolorações, deformações ou fissuras.

Um filtro de pó, pré-filtro e recipiente obstruídos causam um mau desempenho de aspiração. (Fig. 37)

Limpe os filtros e os recipientes periodicamente.

Para retirar pó ou partículas que se colam aos filtros, agite rapidamente a parte inferior da estrutura várias vezes.

Lave ocasionalmente o filtro de pó em água, lave e seque minuciosamente à sombra antes da utilização. Nunca lave os filtros numa máquina de lavar roupa. (Fig. 38)

NOTA:

- Não esfregue nem arranhe o filtro de pó, pré-filtro ou recipiente com objectos duros como uma escova ou espátula.
- Os filtros são consumíveis e é aconselhável ter filtros sobresselentes.

Para manter os níveis de SEGURANÇA e FIABILIDADE definidos para este produto, as reparações e os procedimentos de manutenção ou ajustes devem ser executados por centros de assistência Makita autorizados, utilizando sempre peças de substituição Makita.

ACESSÓRIOS OPCIONAIS

⚠️ PRECAUÇÃO:

- Os seguintes acessórios ou extensões são os recomendados para utilizar com a ferramenta Makita especificada neste manual. A utilização de quaisquer outros acessórios poderá representar um risco de ferimento para as pessoas. Apenas utilize o acessório para o fim indicado.

Se precisar de informações adicionais relativas aos acessórios, contacte o centro local de assistência Makita.

- Tubo flexível
- Adaptadores frontais (22, 24, 38)
- Tubo recto
- Bocal para cantos
- Escova redonda
- Filtro de pó (Para tipo seco)
- Recipiente
- Pré-filtro
- Conjunto do bocal
- Tubo dobrado
- Saco de polietileno
- Filtro (Para água)
- Saco de papel
- Conjunto do suporte

- Suporte do tubo (apenas para o modelo VC1310L)

NOTA:

- Alguns itens na lista podem estar incluídos no pacote de ferramentas como acessórios de série. Podem diferir de país para país.

Ruído

ENG905-1

Os níveis acústicos ponderados A típicos foram determinados segundo a EN/IEC60704:

Modelo VC1310L

Nível de pressão sonora (L_{pA}): 72 dB (A)

Incerteza (K): 2,5 dB (A)

O nível de ruído quando em funcionamento pode exceder os 80 dB (A).

Modelo VC2510L, VC3210L

Nível de pressão sonora (L_{pA}): 73 dB (A)

Incerteza (K): 2,5 dB (A)

O nível de ruído quando em funcionamento pode exceder os 80 dB (A).

Use protecção para os ouvidos.

Apenas para países europeus

ENH038-3

Declaração de conformidade CE

A Makita declara que as máquinas:

Designação da máquina:

Aspirador de Pó

N.º de modelo/Tipo: VC1310L, VC2510L, VC3210L

Estão em conformidade com as directivas europeias seguintes:

2006/42/EC

São fabricadas de acordo com as normas e documentos padronizados seguintes:

EN60335

O ficheiro técnico em conformidade com a norma 2006/42/EC está disponível a partir de:

Makita, Jan-Baptist Vinkstraat 2, 3070, Bélgica

31. 7. 2014



Yasushi Fukaya

Director



Makita, Jan-Baptist Vinkstraat 2, 3070, Bélgica

DANSK (Originalvejledning)

Forklaring til generel oversigt

- | | | |
|----------------------------------|------------------------------|-------------------------------|
| 1. Justeringsknap for sugestyrke | 14. Pulverfilter | 27. Tryk kraftigt og sænk |
| 2. Afbryderkontakt | 15. Spjæld | 28. Fremspring på rørholderen |
| 3. Dæksel | 16. Forfilter | 29. Rille |
| 4. Strømforsyningsledning | 17. Tank | 30. Krog |
| 5. Holder | 18. Monteringspositionsmærke | 31. Holderplade |
| 6. Apparatkrog | 19. Vandfilter | 32. Polyethylenpose |
| 7. Frontmanchetter | 20. Gummiholder | 33. Håndtag |
| 8. Slange | 21. Papirpose | 34. Hoved |
| 9. Styrehjul | 22. Ledningskrog | 35. Ledningskrog |
| 10. Låsearm | 23. Tryk | 36. Lige rør |
| 11. FRI-position | 24. Rørholder | 37. Hjørnemundstykke |
| 12. LÅST-position | 25. A-sektion | 38. Stopper |
| 13. Tankdæksel | 26. Kroge | |

SPECIFIKATIONER

Model		VC1310L / VC2510L / VC3210L					
		EU	AU/NZ	GB 110V	GB 230V	CL	AR/CH
Spænding	Volt	230 - 240	230 - 240	110	230 - 240	220	230 - 240
Strømforsbrug	Watt	1.050	1.050	1.050	1.050	1.050	1.050
Tilsluttet belastning for udstyrsstik	Watt i tilstanden med  - symbolet	2.400	1.200	600	1.900	2.200	1.100
Tilsluttet belastning for udstyrsstik	Watt i tilstanden med  - symbolet	2.600	1.400	850	2.100	2.500	1.400
Tilsluttet belastning i alt	Watt	3.450	2.250	1.650	2.950	3.250	2.150

Model	VC1310L	VC2510L	VC3210L	
Gennemstrømningsmængde (luft)	2,0 m ³ /min			
Sugekraft	22 kPa			
Beskyttelsesklasse	1			
Beskyttelsestype	IP X4 (stænsikker)			
Opsamlingskapacitet	Støv	13 l	25 l	32 l
	Vand	7 l	14 l	27 l
Mål (L x B x H)	366 mm x 334 mm x 420 mm	432 mm x 416 mm x 451 mm	552 mm x 398 mm x 685 mm	
Nettovægt	9,6 kg	10,5 kg	14,5 kg	

- På grund af vores løbende forsknings- og udviklingsprogram kan specifikationerne heri ændres uden forudgående varsel.
- Specifikationerne kan variere fra land til land.
- Vægt i henhold til EPTA-procedure 01/2003

Symboler

END108-5

Her vises de symboler, der benyttes til udstyret. Vær sikker på, at du forstår deres betydning, før du bruger maskinen.



.... Læs brugsanvisningen.



..... Advarsel! Støvsugeren indeholder muligvis sundhedsfarligt støv.



..... Stil dig aldrig oven på støvsugeren.



..... Kun for EU-lande
Elektrisk udstyr må ikke bortskaffes som almindeligt affald!
I henhold til det europæiske direktiv om bortskaffelse af elektriske og elektroniske produkter og dets implementering i overensstemmelse med gældende national lovgivning skal brugt elektrisk udstyr, der har udtjent dets levetid,

indsamles separat og returneres til miljøgodkendt genindvinding.

Tilsigtet brug

ENE016-1

Denne maskine er beregnet til opsamling af både vådt og tørt støv.

Strømforsyning

ENF001-1

Maskinen bør kun slutes til en strømforsyning med den spænding, der er angivet på mærkepladen, og den kan kun benyttes med enkeltfaset vekselstrøm. Denne maskine bør være jordet under brug for at beskytte brugeren mod elektrisk stød. Brug kun trætrædede forlængerledninger, som er udstyret med trebenede stik for jording og stikkontakter til trebenede stik, som passer til maskinens stik.

SIKKERHEDSADVARSLER FOR STØVSUGER

ENB119-5

⚠ ADVARSEL! VIGTIGT LÆS OMHYGGELIGT alle sikkerhedsadvarsler og alle instruktioner INDEN BRUG. Det kan medføre elektrisk stød, brand og/eller alvorlig personskade, hvis du ikke overholder advarslerne og følger instruktionerne.

1. Inden brug skal det sikres, at denne støvsuger anvendes af personer, som har fået tilstrækkelig vejledning i brugen af denne støvsuger.
2. Brug kun stikudgangen på støvsugeren til de formål, som er angivet i vejledningen.
3. Hvis der kommer skum/væske ud, skal der straks slukkes for apparatet.
4. Rens udstyret til begrænsning af vandniveauet regelmæssigt og undersøg det for tegn på skader.
5. Brug ikke støvsugeren uden filteret. Udskift straks et beskadiget filter.
6. **BRUG AF EN FORLÆNGERLEDNING.** På grund af den store afstand til strømkilden skal du ved brug af en forlængerledning så vidt muligt anvende en ledning, der er tilstrækkeligt tyk og ikke for lang, da det ellers vil påvirke støvsugerydelsen negativt. Ved udendørs brug skal der anvendes en forlængerledning, som er egnet til udendørs brug.
7. **SPÆNDINGSADVARSEL:** Inden støvsugeren tilsluttes til en strømkilde (stikkontakt osv.), skal det sikres, at spændingen er den samme som den, der er angivet på støvsugerens mærkeplade. En strømkilde med en større spænding end den, der er angivet for støvsugeren, kan resultere i **ALVORLIG PERSONSKADE** for brugeren såvel som skade på støvsugeren. I tvivlstilfælde **SKAL DU IKKE TILSLUTTE STØVSUGEREN.** Brug af en strømkilde med en mindre spænding end den, der er angivet på mærkepladen, er skadelig for motoren.
8. **UNDGÅ UTILSIGTET START.** Sørg for at kontakten er slukket, når maskinen tilsluttes.
9. Forsøg ikke at opsamle brændbare materialer, fyrværkeri, tændte cigaretter, varm aske, varme metalstykker, skarpe materialer som f.eks. skraber, nåle, glasstykker eller lignende.
10. **BRUG ALDRIG STØVSUGEREN I NÆRHEDED AF BENZIN, GAS, MALING, KLÆBEMIDLER ELLER ANDRE STÆRKT EKSPLOSIVE STOFFER.** Kontakten afgiver gnister, når den tændes og

slukkes. Det gør motorstrømfordeleren desuden også under anvendelsen. Der kan eventuelt opstå en farlig eksplosion.

11. **Opsug aldrig giftige, kræftfremkaldende, brændbare eller andre farlige materialer som f.eks. asbest, arsenik, barium, beryllium, bly, pesticider eller andre sundhedsskadelige materialer.**
12. **Brug aldrig støvsugeren udendørs i regnvejrr.**
13. **Brug ikke støvsugeren i nærheden af varmekilder (brændeovn osv.).**
14. **BESKYT DIG MOD ELEKTRISK STØD.** Undgå kropskontakt med jordede overflader. For eksempel rør, radiatorer, komfurer, køleskabsafskærmninger.
15. **Bloker ikke køleventilationsåbninger.** Disse ventilationsåbninger gør det muligt for motoren at køle af. Sørg omhyggeligt for at forhindre at de blokeres, da motoren ellers brænder sammen pga. manglende ventilation.
16. **Bevar fodfæstet og balancen til enhver tid.**
17. **PAS PÅ LEDNINGEN.** Du må aldrig bære støvsugeren i ledningen, eller trække i ledningen når støvsugerens stik tages ud af stikkontakten. Hold ledningen væk fra varme, olie og skarpe kanter. Efterse støvsugerens ledning med jævne mellemrum og få den repareret på et autoriseret serviceværksted, hvis den er beskadiget. Efterse jævnligt forlængerledninger og udskift dem, hvis de er beskadiget.
18. **Du skal ikke folde, trække i eller træde på slangen.**
19. **Stands straks støvsugeren hvis du bemærker en dårligere ydelse eller andet unormalt under anvendelsen.**
20. **TAG STØVSUGERENS STIK UD AF STIKKONTAKTEN.** Når den ikke er i brug, inden eftersyn og ved skift af tilbehør.
21. **Rengør og efterse straks støvsugeren efter hver anvendelse, så den holdes i tiptop stand.**
22. **VEDLIGEHOLD OMHYGGELIGT STØVSUGEREN.** Hold støvsugeren ren for bedre og mere sikker ydelse. Følg vejledningen for skift af tilbehør. Hold håndtagene tørre, rene og fri for olie og fedt.
23. **KONTROLLER BESKADIGEDE DELE.** Inden yderligere brug af støvsugeren bør en beskadiget afskærmning eller anden del omhyggeligt kontrolleres for at sikre, at den vil fungere ordentligt og kan udføre dens tilsigtede funktion. Kontroller for justering af bevægelige dele, stramhed i bevægelige dele, beskadigelse af dele, montering eller andre forhold der kan påvirke funktionen. En beskadiget afskærmning eller anden del bør repareres på korrekt vis eller udskiftes af et autoriseret serviceværksted, medmindre der er angivet andetstedet i denne brugsanvisning. Få defekte kontakter udskiftet på et autoriseret serviceværksted. Brug ikke støvsugeren, hvis du ikke kan tænde og slukke den på kontakten.
24. **RESERVEDELE.** Brug kun identiske reservedele ved udskiftning.
25. **OPBEVARING AF UBENYTTET STØVSUGER.** Når den ikke benyttes, skal støvsugeren opbevares indendørs.

26. Pas godt på din støvsuger. Hårdhændet behandling kan medføre skader på selv den mest solidt byggede støvsuger.
27. Forsøg ikke at rengøre den udvendigt eller indvendigt med rensbenzin, fortynder eller rengøringskemikalier. Det kan medføre revner og misfarvning.
28. Brug ikke støvsugeren i et aflukket rum, hvor der afgives brændbare, eksplosive eller giftige dampe fra oliebaseret maling, malingsfortynder, benzin, visse mølbeskyttende stoffer osv., eller på steder med brændbart støv.
29. Lad ikke støvsugerens ledning ligge på gulvet efter du har afsluttet et rengøringsarbejde. Man kan nemt falde over den, eller det kan eventuelt beskadige støvsugeren.
30. Brug ikke denne eller andre maskiner under påvirkning af medicin eller alkohol.
31. Som en grundlæggende sikkerhedsregel skal der anvendes beskyttelsesbriller eller sikkerhedsbriller med sideafskærmninger.
32. Brug en støvmaske ved arbejde under støvede forhold.
33. Denne maskine er ikke beregnet til brug af personer, herunder børn, med reducerede fysiske, sensoriske eller mentale evner, eller personer med manglende erfaring og viden.
34. Mindre børn bør være under opsyn, sådan at de ikke leger med støvsugeren.
35. Rør aldrig ved stikket eller støvsugeren med våde hænder.
36. Vær meget forsigtig ved rengøring på trapper.
37. Brug ikke støvsugeren som en stol eller arbejdsbænk. Denne maskine kan vælte og muligvis forårsage personskade.

GEM BRUGSANVISNINGEN TIL FREMTIDIG BRUG

⚠ ADVARSEL:
LAD IKKE tryghed eller kendskab til produktet (fra gentagen brug) føre til, at du ikke strengt overholder sikkerhedsreglerne for det gældende produkt. MISBRUG eller manglende overholdelse af sikkerhedsreglerne i denne brugsanvisning kan medføre alvorlig personskade.

FUNKTIONSBESKRIVELSE

⚠ ADVARSEL:
• Inden støvsugeren sluttes til stikkontakten, skal det altid sikres, at den er slukket. Tilsluttes støvsugeren med kontakten slået til, kan det medføre en uventet start og forårsage alvorlig personskade.

Betjening af afbryderkontakten (Fig. 1)

Start støvsugeren ved at dreje afbryderkontakten hen på "I"-siden. Stands den ved at dreje afbryderkontakten hen på "O"-siden.
Sugestykken kan justeres i henhold til dit arbejdsbehov. (Fig. 2)
Sugestykken kan forøges ved at dreje justeringsknappen for sugestykke fra ↶-symbolet til ↷-symbolet.

Tilslutning af elektriske maskiner

⚠ ADVARSEL:

- Vær opmærksom på de maksimale tilsluttede belastninger for udstyrsstikket (se SPECIFIKATIONER).
- Sørg for at både støvsugeren og den elektriske maskine er slukket inden tilslutning eller frakobling. Tilsluttes maskinen til støvsugeren med begge maskiner tændt, kan det medføre uventet og pludselig start med alvorlig personskade til følge.

Når der tilsluttes en jordet maskine, skal der indsættes et stik med en jordingsplade til støvsugerens stik. (Fig. 3)

⚠ FORSIGTIG:

- Tilslut aldrig en elektrisk maskine med en indgangseffekt der overstiger den, som er angivet i "SPECIFIKATIONER", til stikket på støvsugeren ved at dreje på justeringsknappen for sugestykke. Tilsluttes der en maskine, som overstiger den angivne indgangseffekt, kan det medføre overophedning og skade på støvsugeren. Se i specifikationerne for at undgå dette.

Støvsugeren kan tilsluttes til en elektrisk maskine med en indgangseffekt på op til den effekt, som er vist under "SPECIFIKATIONER".

For at tilslutte en elektrisk maskine skal du åbne dækslet og indsætte maskinens stik i støvsugerens indgangsstik. Drej afbryderkontakten hen på "AUTO"-positionen. (Fig. 2)

Flyt justeringsknappen for sugestykke hen på en passende position for indgangseffekten på den elektriske maskine, du ønsker at anvende. Se under SPECIFIKATIONER angående forholdet mellem justeringsknappen for sugestykke og indgangseffekten for den elektriske maskine.

Når du tænder og slukker for den tilsluttede elektriske maskine, tændes og slukkes støvsugeren automatisk på samme tid. Støvsugeren fortsætter nogle få sekunder, efter der er slukket for den elektriske maskine. Efter brug skal maskinen frakobles stikket på støvsugeren.

Sluk støvsugeren efter brug.

Automatisk sugestop under sugning

⚠ ADVARSEL:

- **Må ikke anvendes i længere tid, når flyderen er aktiveret.** Bruges støvsugeren i længere tid, mens flyderen er aktiveret, kan det medføre overophedning og resultere i deformering af støvsugeren.
- **Opsug ikke skum eller sæbeagtig væske.** Opsugning af skum eller sæbeagtig væske kan medføre, at der kommer skum ud af luftudgangen, inden flyderen fungerer. Forsat brug i denne tilstand kan medføre elektrisk stød og sammenbrud af støvsugeren.

Støvsugeren er udstyret med en flydemekanisme, der forhindrer, at der trænger vand ind i motoren, når den opsuger mere end en vis mængde vand.

Når tanken er fuld, og støvsugeren ikke længere opsamler vand, skal du slukke for støvsugeren og tømme tanken.

Montering af holderen (Fig. 4)

Når du tilslutter en elektrisk maskine, skal du fastgøre strømforsyningsledningen og slangen vha. holderne med en afstand på ca. 70 - 80 cm mellem de holdere, som følger med støvsugeren, sådan at slangen ikke vikles ind i strømforsyningsledningen.

Brug af apparatkrogen

⚠ FORSIGTIG:

- **Pas på du ikke klemmer fingrene, når du lukker apparatkrogen.** Ellers kan det medføre personskader.

BEMÆRK:

- Anvend ikke stor kraft på apparatkrogen. Anvendes der stor kraft på apparatkrogen, kan den blive beskadiget. Luk apparatkrogen når den ikke er i brug.

Ved åbning af apparatkrogen kan den bruges til følgende.

1. Opbevaring af strømforsyningsledningen

BEMÆRK:

- **Anvend ikke støvsugeren eller en tilsluttet elektrisk maskine mens strømforsyningsledningen er viklet rundt om apparatkrogen.** Brug af støvsugeren eller den tilsluttede elektriske maskine med strømforsyningsledningen kan muligvis beskadige ledningen. (Fig. 5)

2. Opbevaring af frontmanchetter

Frontmanchetterne 22, 24 og 38 kan blive opbevaret (op til to ad gangen.) (Fig. 6)

3. Opbevaring af slangen (Fig. 7)

4. **Placering af en elektrisk maskine af passende størrelse for apparatkrogen, som f.eks. en rundsav.** (Fig. 8)

Låsning og oplåsning af styrehjulet

For modellerne VC1310L og VC2510L (Fig. 9)

For model VC3210L (Fig. 10)

For at låse styrehjulet med en låsearm skal du sænke låsearmen, og styrehjulet vil ikke længere kunne rotere. For at frigøre styrehjulet fra den låste position skal du løfte op i låsearmen.

Låsning af styrehjulet er praktisk ved opbevaring af støvsugeren, ved midlertidig standsning af arbejdet og til at holde støvsugeren stille.

Låsearmen flyttes med håndkraft.

BEMÆRK:

- Sørg for at styrehjulet ikke er låst, når du flytter støvsugeren. Flyttes støvsugeren, mens styrehjulet er i den låste position, kan det muligvis beskadige styrehjulet.

MONTERING

⚠ FORSIGTIG:

- Sørg altid for, at støvsugeren er slukket og taget ud af stikkontakten, før du udfører nogen form for arbejde på støvsugeren.

Montering af vandfilteret (Fig. 11)

For at opsamle vand eller vådt støv skal du fjerne forfilteret og spjældet og derefter anvende vandfilteret.

Når du installerer vandfilteret i tanken, skal du sætte det stramt ved åbningen af tanken, så vandfilterets krog griber ordentligt fat i tankåbningen, og der ikke er noget mellemrum mellem vandfilteret og tanken. (Fig. 12) Installer endvidere vandfilteret sådan at monteringspositionsmærkerne kan justeres ind.

BEMÆRK:

- På modellerne VC2510L og VC3210L er der ingen monteringspositionsmærker, og der behøves ingen indjustering.

Installering af papirposen

⚠ ADVARSEL:

- Ved anvendelse af papirposen skal du også samtidigt anvende det forfilter, der er formonteret på maskinen. Bruges forfilteret ikke samtidigt, kan det medføre unormal støj og varmeudvikling, med brand til følge.

⚠ FORSIGTIG:

- Opsaml aldrig vand eller andre væsker eller vådt støv, når du anvender papirposen. Opsamling af sådanne ting kan medføre, at papirposen går i stykker.

1. Fjern gummiholderen. (Fig. 13)

2. Fold papirposen ud.

3. Juster papirposens åbning ind med støvindsugningsåbningen på støvsugeren. (Fig. 14 og 15)

4. Indsæt også papirposens papstykke således at det er sat helt ind på plads og ført over låsefremspringet.

Montering af rørholderen (fås som tilbehør)

Kun for model VC1310L

Tryk på ledningskrogen som vist på figuren. (Fig. 16) Monter rørholderen på ledningskrogen. (Krogene vender væk fra tankdækslet.)

Løft rørholderen så meget at krogene stadig har kontakt med tankdækslet og tryk på A-sektionen på rørholderen. (Fig. 17)

Tryk meget hårdt på A-sektionen og sænk rørholderen, mens A-sektionen er trykket ind. (Fig. 18)

Placer de to fremspring på rørholderen i rillerne på tankdækslet og tryk derefter ned på rørholderen. (Fig. 19 og 20)

BEMÆRK:

- Hvis rørholderen er sænket væsentligt mere end den tilsigtede position, kan den ikke monteres på ledningskrogen med krogen vendende væk fra tankdækslet som vist på figuren. (Fig. 21)

BEMÆRK:

- Sørg for, at rørholderens to kroge er hægtet ordentligt fast på tankdækslet. (Fig. 22)

Tilslutning af en slange

⚠ FORSIGTIG:

- Anvend aldrig kræfter til at bøje slangen og tramp ikke på den. Flyt aldrig støvsugeren vha. slangen. Anvendelse af kræfter på, tramp på eller træk i slangen kan ødelægge eller deformere slangen.

- Ved opsamling af større affaldsrester som f.eks. høvlerester, betonstøv eller andre lignende større affaldsrester, skal du anvende slangen med en indvendig diameter 38 mm (fås som tilbehør). Anvendelse af slangen med en indvendig diameter på 28 mm kan medføre tilstopning og skader.

Indsæt slangen i tankens monteringsåbning og drej den med uret indtil den låser. (Fig. 23)

Montering af polyethylenpose

Støvsugeren kan også bruges uden polyethylenpose. Men ved anvendelse af polyethylenposen er det nemmere at tømme tanken uden at få beskidte hænder. Bred polyethylenposen ud i tanken. Indsæt den mellem holderpladen og tanken og træk den hen til slangeindgangen. (Fig. 24)

Før posen omkring kanten af tanken.

Hægt den anden side af posen omkring kanten af tanken, så forfilterkrogen kan få fat og holde den sikkert på plads. (Fig. 25)

BEMÆRK:

- Der kan anvendes en polyethylenpose, som fås på markedet. Der anbefales en på 0,04 mm eller tykkere.
- Hvis der opsamles for meget støv i posen, går den nemt i stykker, så du bør ikke opsamle mere støv, end til posen er halvt fyldt op.

Tømning af polyethylenposen

⚠ ADVARSEL:

- Sørg altid for at støvsugeren er slukket, og stikket er taget ud, inden du tømmer polyethylenposen. Sikres dette ikke, kan det medføre elektrisk stød og alvorlig personskade.

⚠ FORSIGTIG:

- Tryk ikke hårdt på pulverfilteret og tanken. Hårdt tryk kan medføre deformation og beskadigelse af pulverfilteret og tanken.
- Tøm tanken mindst én gang om dagen, selvom dette afhænger af den opsamlede støvmængde i tanken. Ellers aftager sugestyirken, og motoren kan gå i stykker.
- Tag ikke fat i krogen, når du tømmer tanken. Tager du fat i krogen kan du risikere, at den går i stykker.

Lås tankdækslet op og løft op. (Fig. 26)

Ryst støvet af pulverfilteret, spjældet og forfilteret og tag derefter polyethylenposen ud af tanken. (Fig. 27)

BEMÆRK:

- Tag forsigtigt polyethylenposen ud fra tanken sådan at polyethylenposen ikke sidder fast i og rives i stykker af fremspringet inde i tanken, når du tømmer den.
- Tøm polyethylenposen inden den er fyldt op. Hvis der er for meget støv i tanken, kan polyethylenposen gå i stykker.

Montering af pulverfilteret (Fig. 11)

Placer forfilteret i tanken.

Monér derefter spjældet på pulverfilteret og placer det herefter i forfilteret.

Når pulverfilteret og forfilteret installeres, skal monteringspositionsmærkerne på dem justeres ind med mærket øverst i tanken.

Til sidst monteres tankdækslet.

BEMÆRK:

- På modellerne VC2510L og VC3210L er der ingen monteringspositionsmærker, og der behøves ingen indjustering.
- Inden brug af pulverfilteret skal du sikre dig, at forfilteret og spjældet altid anvendes sammen. Det er ikke tilladt at installere pulverfilteret alene.
- Inden brug af papirposen skal du sikre dig, at pulverfilteret, spjældet og forfilteret altid anvendes sammen.

Transport af støvsugeren (Fig. 28)

Når du transporterer støvsugeren, skal du holde i håndtaget på støvsugerens hoved som vist på figuren. Håndtaget er placeret nede i støvsugerens hoved, når det ikke er i brug.

VEDLIGEHOLDELSE

⚠ FORSIGTIG:

- Sørg altid for, at maskinen er slukket, og stikket er taget ud, før du udfører inspektion eller vedligeholdelse.

Opbevaring af strømforsyningsledningen

Kun for model VC1310L (Fig. 29 og 30)

Træk ledningskroge ud eller åbn apparatkroge. Rul strømforsyningsledningen op og hæng den på ledningskroge eller rul den omkring apparatkroge.

BEMÆRK:

- Anvend ikke kræfter til at få strømforsyningsledningen af ledningskroge, når du prøver at tage den af. Anvender du kræfter for at få strømforsyningsledningen af ledningskroge, kan det beskadige ledningen.

For modellerne VC2510L og VC3210L (Fig. 31 og 32)

Vikl strømforsyningsledningen omkring apparatkroge.

Opbevaring af tilbehør

BEMÆRK:

- Anvend ikke for mange kræfter på tilbehør som holdes fast i rørholderen. Anvendes der for mange kræfter på disse tilbehør, kan det beskadige rørholderen.

Kun for model VC1310L (Fig. 33)

Rørholderen kan anvendes til opbevaring af lige rør, bøjet rør, hjørnemundstykke og lignende ved blot at indsætte disse tilbehør.

Rørene kan også placeres i rørholderen, når støvsugeren standses et stykke tid undervejs i arbejdet. (Fig. 34)

For modellerne VC2510L og VC3210L (Fig. 35)

Rørstøtten kan anvendes til opbevaring af lige rør, bøjet rør og andet ved blot at indsætte disse tilbehør. (Fig. 36) Rørene kan også placeres i rørholderen, når støvsugeren standses et stykke tid undervejs i arbejdet.

Rengøring

⚠ FORSIGTIG:

- Brug aldrig benzin, benzen, fortynder, alkohol eller lignende. Det kan muligvis medføre misfarvning, deformation eller revner.
- Tilstoppet pulverfilter, forfilter og spjæld kan medføre nedsat sugestykke. (Fig. 37)

Rengør ind i mellem filtrene og spjældene.

For at fjerne støv eller partikler som sidder fast i filtrene, skal du ryste bundrammen hurtigt adskillige gange.

Vask ind i mellem pulverfilteret med vand, og skyl og tør det omhyggeligt i skyggen inden brug. Vask aldrig filtre i en vaskemaskine. (Fig. 38)

BEMÆRK:

- Du skal hverken skure på eller ridse pulverfilteret, forfilteret eller spjældet med hårde genstande som f.eks. en børste eller en spatel.
- Filtrene er forbrugsgenstande, og det anbefales at have nogle i reserve.

For at holde produktet SIKKERT og PÅLIDELIGT skal reparationer samt al anden vedligeholdelse eller justering udføres af autoriserede Makita-servicecentre, og der skal altid benyttes Makita-reservedele.

EKSTRAUDSTYR

FORSIGTIG:

- Dette tilbehør eller ekstraudstyr anbefales til brug med det Makita-værktøj, som er beskrevet i denne brugsanvisning. Brug af andet tilbehør eller ekstraudstyr kan forårsage personskade. Brug kun tilbehør eller ekstraudstyr til det formål, det er beregnet til.

Henvend dig til dit lokale Makita-servicecenter, hvis du har brug for hjælp eller yderligere oplysninger vedrørende tilbehøret.

- Slange
- Frontmanchetter (22, 24, 38)
- Lige rør
- Hjørnemundstykke
- Rund børste
- Pulverfilter (til tørt materiale)
- Spjæld
- Forfilter
- Mundstykkemontering
- Bøjet rør
- Polyethylenpose
- Filter (til vand)
- Papirpose
- Holdersæt
- Rørholder (kun for Model VC1310L)

BEMÆRK:

- Visse dele på listen er muligvis indeholdt maskinindpakningen som standardtilbehør. De kan variere fra land til land.

Støj

ENG905-1

Det typiske A-vægtede støjniveau bestemt i overensstemmelse med EN/IEC60704:

Model VC1310L

Lydtrykniveau (L_{pA}): 72 dB (A)

Usikkerhed (K): 2,5 dB (A)

Støjniveauet under arbejdet kan være større end 80 dB (A).

Model VC2510L, VC3210L

Lydtrykniveau (L_{pA}): 73 dB (A)

Usikkerhed (K): 2,5 dB (A)

Støjniveauet under arbejdet kan være større end 80 dB (A).

Bær høreværn.

Kun for europæiske lande

EF-overensstemmelseserklæring

Makita erklærer at følgende Makita-maskine(r):

Maskinens betegnelse:

Støvsuger

Modelnummer/ type: VC1310L, VC2510L, VC3210L

Overholder følgende europæiske direktiver:

2006/42/EF

De er produceret i overensstemmelse med den følgende standard eller standardiserede dokumenter:

EN60335

Den tekniske fil er i overensstemmelse med 2006/42/EF til rådighed fra:

Makita, Jan-Baptist Vinkstraat 2, 3070, Belgien

31. 7. 2014



Yasushi Fukaya
Direktør

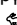

Makita, Jan-Baptist Vinkstraat 2, 3070, Belgien

ΕΛΛΗΝΙΚΑ (Πρωτογενείς οδηγίες)

Γενική περιγραφή

- | | | |
|--|------------------------------------|--------------------------------------|
| 1. Κουμπί ρύθμισης δύναμης αναρρόφησης | 14. Φίλτρο σκόνης | 28. Προεξοχή του στηρίγματος σωλήνων |
| 2. Μοχλός διακόπτης | 15. Αποσβεστήρας | 29. Εγκοπή |
| 3. Καπάκι | 16. Προφίλτρο | 30. Γάντζος |
| 4. Καλώδιο παροχής ρεύματος | 17. Δοχείο | 31. Πλάκα στηρίγματος |
| 5. Στήριγμα | 18. Σήμανση θέσης τοποθέτησης | 32. Σακούλα πολυαιθυλενίου |
| 6. Γάντζος βάσης | 19. Φίλτρο νερού | 33. Χερούλι |
| 7. Μπροστινά μανικέτια | 20. Λαστιχένιο στήριγμα | 34. Κεφαλή |
| 8. Εύκαμπτος σωλήνας | 21. Χαρτόνι | 35. Γάντζος καλωδίου |
| 9. Τροχίσκος | 22. Γάντζος καλωδίου | 36. Ευθύς σωλήνας |
| 10. Ασφαλιστικός μοχλός | 23. Πιέστε | 37. Γωνιακό ακροφύσιο |
| 11. Ελεύθερη θέση (FREE) | 24. Στήριγμα σωλήνων | 38. Τάπα |
| 12. Θέση κλειδώματος (LOCK) | 25. Τμήμα A | |
| 13. Κάλυμμα δοχείου | 26. Γάντζοι | |
| | 27. Πιέστε με δύναμη και χαμηλώστε | |

ΠΡΟΔΙΑΓΡΑΦΕΣ


Μοντέλο		VC1310L / VC2510L / VC3210L					
		EE	AU/NZ	GB 110V	GB 230V	CL	AR/CH
Τάση	Volt	230 - 240	230 - 240	110	230 - 240	220	230 - 240
Κατανάλωση ρεύματος	Watt	1.050	1.050	1.050	1.050	1.050	1.050
Συνδεδεμένο φορτίο για την πρίζα συσκευής	Watt στη λειτουργία του συμβόλου 	2.400	1.200	600	1.900	2.200	1.100
Συνδεδεμένο φορτίο για την πρίζα συσκευής	Watt στη λειτουργία του συμβόλου 	2.600	1.400	850	2.100	2.500	1.400
Ολικό συνδεδεμένο φορτίο	Watt	3.450	2.250	1.650	2.950	3.250	2.150


Μοντέλο		VC1310L	VC2510L	VC3210L
Όγκος ροής (αέρας)		2,0 m³/min		
Κενό		22 kPa		
Κατηγορία προστασίας		1		
Τύπος προστασίας		IP X4 (προστασία έναντι διαρροής)		
Ικανότητα ανάκτησης	Σκόνη	13L	25L	32L
	Νερό	7L	14L	27L
Διαστάσεις (Μ x Π x Υ)		366 mm x 334 mm x 420 mm	432 mm x 416 mm x 451 mm	552 mm x 398 mm x 685 mm
Καθαρό βάρος		9,6 kg	10,5 kg	14,5 kg

- Λόγω του συνεχόμενου προγράμματος που εφαρμόζουμε για έρευνα και ανάπτυξη, τα τεχνικά χαρακτηριστικά στο παρόν έντυπο υπόκεινται σε αλλαγή χωρίς προειδοποίηση.
- Τα τεχνικά χαρακτηριστικά ενδέχεται να διαφέρουν ανάλογα με τη χώρα.
- Βάρος σύμφωνα με τη διαδικασία ΕΡΤΑ 01/2003

Σύμβολα

Παρακάτω παρουσιάζονται τα σύμβολα που χρησιμοποιούνται για τον εξοπλισμό. Βεβαιωθείτε ότι κατανοείτε τη σημασία τους πριν από τη χρήση.

 Διαβάστε το εγχειρίδιο οδηγιών.

 Προσοχή! Η ηλεκτρική σκούπα μπορεί να περιέχει επικίνδυνη σκόνη.

END108-5



..... Ποτέ μην στέκεστε πάνω στην ηλεκτρική σκούπα.



..... Μόνο για τις χώρες της ΕΕ
Μην απορρίπτετε ηλεκτρικές συσκευές στον κάδο οικιακών απορριμμάτων! Σύμφωνα με την Ευρωπαϊκή Οδηγία περί των απορριμμάτων ηλεκτρικών και ηλεκτρονικών συσκευών και την ενσωμάτωση της στο εθνικό δίκαιο, οι

ηλεκτρικές συσκευές, των οποίων έχει παρέλθει ο χρόνος ωφέλιμης ζωής τους, θα πρέπει να συλλέγονται ξεχωριστά και να επιστρέφονται σε εγκαταστάσεις περιβαλλοντικής ανακύκλωσης.

Προβλεπόμενη χρήση ENE016-1
Το εργαλείο προορίζεται για τη συλλογή τόσο της υγρής όσο και της στεγνής σκόνης.

Ηλεκτρική παροχή ENF001-1
Το εργαλείο πρέπει να συνδέεται μόνο σε ηλεκτρική παροχή της ίδιας τάσης με αυτήν που αναγράφεται στην πινακίδα ονομαστικών τιμών και μπορεί να λειτουργήσει μόνο με εναλλασσόμενο μονοφασικό ρεύμα. Αυτό το εργαλείο πρέπει να είναι γειωμένο κατά τη χρήση του για την προστασία του χειριστή έναντι της ηλεκτροπληξίας. Χρησιμοποιήστε μόνο καλώδια προέκτασης τριών συρμάτων τα οποία διαθέτουν βύσματα γείωσης με τρεις απολήξεις και πρίζες με τρεις οπές που να ταιριάζουν με το βύσμα του εργαλείου.

ΠΡΟΕΙΔΟΠΟΙΗΣΕΙΣ ΑΣΦΑΛΕΙΑΣ ΗΛΕΚΤΡΙΚΗΣ ΣΚΟΥΠΑΣ

ENB119-5

⚠️ ΠΡΟΕΙΔΟΠΟΙΗΣΗ! ΣΗΜΑΝΤΙΚΟ, ΔΙΑΒΑΣΤΕ ΠΡΟΣΕΚΤΙΚΑ όλες τις προειδοποιήσεις ασφαλείας και τις οδηγίες ΠΡΙΝ ΑΠΟ ΤΗ ΧΡΗΣΗ. Αν δεν ακολουθήσετε όλες τις προειδοποιήσεις και τις οδηγίες, υπάρχει κίνδυνος ηλεκτροπληξίας, πυρκαγιάς ή/και σοβαρού τραυματισμού.

1. Πριν από τη χρήση, βεβαιωθείτε ότι αυτή η ηλεκτρική σκούπα χρησιμοποιείται από άτομα τα οποία έχουν λάβει επαρκείς οδηγίες για τη χρήση αυτής της ηλεκτρικής σκούπας.
2. Να χρησιμοποιείτε την πρίζα της ηλεκτρικής σκούπας μόνο για τους σκοπούς που καθορίζονται στις οδηγίες.
3. Εάν βγαίνει προς τα έξω αφρός/καπνός, απενεργοποιήστε αμέσως.
4. Καθαρίστε τακτικά τη διάταξη περιορισμού της στάθμης του νερού και εξετάστε τη για την ύπαρξη σημαδιών φθοράς.
5. Μην χρησιμοποιείτε την ηλεκτρική σκούπα χωρίς το φίλτρο. Αντικαταστήστε αμέσως ένα φίλτρο που έχει υποστεί ζημιά.
6. ΧΡΗΣΗ ΚΑΛΩΔΙΟΥ ΕΠΕΚΤΑΣΗΣ. Όταν χρησιμοποιείτε ένα καλώδιο επέκτασης λόγω της μεγάλης απόστασης από τη πρίζα του ρεύματος, δοκιμάστε να χρησιμοποιήσετε ένα καλώδιο που είναι αρκετά παχύ, αλλά όχι πάρα πολύ μακρύ, διαφορετικά θα επηρεαστεί αρνητικά η απόδοση της ηλεκτρικής σκούπας. Για χρήσεις σε εξωτερικό χώρο, να χρησιμοποιείτε ένα καλώδιο επέκτασης κατάλληλο για εξωτερική χρήση.
7. ΠΡΟΕΙΔΟΠΟΙΗΣΗ ΑΝΑΦΟΡΙΚΑ ΜΕ ΤΗΝ ΤΑΣΗ: Πριν συνδέσετε την ηλεκτρική σκούπα σε μια πηγή ρεύματος (υποδοχή, παροχή, κ.λπ.), να είστε βέβαιοι ότι η παρεχόμενη τάση είναι η ίδια με εκείνη που καθορίζεται στην πινακίδα της ηλεκτρικής σκούπας. Μια πηγή ρεύματος με τάση μεγαλύτερη από εκείνη που καθορίζεται για την ηλεκτρική σκούπα μπορεί να οδηγήσει σε ΣΟΒΑΡΟ ΤΡΑΥΜΑΤΙΣΜΟ στον χρήστη, καθώς και βλάβη στην ηλεκτρική σκούπα. Σε περίπτωση

αμφιβολίας, ΜΗΝ ΣΥΝΔΕΣΕΤΕ ΣΤΟ ΡΕΥΜΑ ΤΗΝ ΗΛΕΚΤΡΙΚΗ ΣΚΟΥΠΑ. Η χρήση μιας πηγής ρεύματος με τάση μικρότερη από αυτή της πινακίδας είναι επιβλαβής για το μοτέρ.

8. ΑΠΟΦΥΓΕΤΕ ΤΗΝ ΑΘΕΛΩΤΗ ΕΝΕΡΓΟΠΟΙΗΣΗ. Βεβαιωθείτε ότι ο διακόπτης είναι κλειστός κατά τη σύνδεση στη πρίζα.
9. Μην επιχειρήσετε να μαζέψετε εύφλεκτα υλικά, υλικά για πυροτεχνήματα, αναμμένα τσιγάρα, θερμές στάχτες, ζεστά μεταλλικά ρινίσματα, αιχμηρά υλικά όπως ζυραφάκια, βελόνες, σπασμένα γυαλιά και τα παρόμοια.
10. ΜΗΝ ΧΡΗΣΙΜΟΠΟΙΗΣΕΤΕ ΠΟΤΕ ΤΗΝ ΗΛΕΚΤΡΙΚΗ ΣΚΟΥΠΑ ΚΟΝΤΑ ΣΕ ΒΕΝΖΙΝΗ, ΑΕΡΙΟ, ΧΡΩΜΑΤΑ, ΣΥΓΚΟΛΛΗΤΙΚΕΣ ΟΥΣΙΕΣ Ή ΑΛΛΕΣ ΙΔΙΑΙΤΕΡΑ ΕΚΡΗΚΤΙΚΕΣ ΟΥΣΙΕΣ. Ο διακόπτης εκτέμπει σπίθες κατά την ενεργοποίηση και την απενεργοποίηση. Το ίδιο κάνει ο συλλέκτης του κινητήρα κατά τη λειτουργία. Μπορεί να προκληθεί μια επικίνδυνη έκρηξη.
11. Ποτέ μην απορροφάτε τοξικά, καρκινογόνα, εύφλεκτα ή άλλα επικίνδυνα υλικά όπως αμίαντο, αρσενικό, βάριο, βηρύλλιο, μόλυβδο, φυτοφάρμακα, ή άλλα υλικά που θέτουν σε κίνδυνο την υγεία.
12. Ποτέ να μην χρησιμοποιήσετε την ηλεκτρική σκούπα σε εξωτερικό χώρο υπό βροχή.
13. Μην την χρησιμοποιείτε κοντά σε πηγές θερμότητας (σόμπες, κλπ.).
14. ΝΑ ΠΡΟΣΤΑΤΕΥΕΤΕ ΑΠΟ ΤΗΝ ΠΡΟΚΛΗΣΗ ΗΛΕΚΤΡΟΠΛΗΞΙΑΣ. Αποφύγετε την επαφή του σώματός σας με γειωμένες επιφάνειες. Για παράδειγμα, σωλήνες, θερμαντικά σώματα, ηλεκτρικές κουζίνες, περιβλήματα ψυγείου.
15. Μην μπλοκάρτε τους αεραγωγούς ψύξης. Αυτές οι οπές επιτρέπουν την ψύξη του κινητήρα. Προσεκτικά θα πρέπει να αποφεύγετε το μπλοκάρισμα, διαφορετικά το μοτέρ θα καεί από την έλλειψη αερισμού.
16. Να στέκεστε πάντοτε σταθερά και ισοροπημένα.
17. ΜΗΝ ΚΑΚΟΜΕΤΑΧΕΙΡΙΖΕΤΕ ΤΟ ΚΑΛΩΔΙΟ. Ποτέ να μην μεταφέρετε την ηλεκτρική σκούπα από το καλώδιο ή το τραβάτε για να το αποσυνδέσετε από τη πρίζα. Να διατηρείτε το καλώδιο μακριά από τη θερμότητα, τα λάδια και τις αιχμηρές άκρες. Να ελέγχετε το καλώδιο της ηλεκτρικής σκούπας περιοδικά και, εάν έχει ζημιά, στείλτε το για επισκευή σε ένα εξουσιοδοτημένο κέντρο σέρβις. Να επιθεωρείτε τα καλώδια προέκτασης τακτικά και να τα αντικαθιστάτε, εάν έχουν πάθει ζημιά.
18. Μην διπλώνετε, μην τραβάτε και μη στέκεστε πάνω στον εύκαμπτο σωλήνα.
19. Σταματήστε την ηλεκτρική σκούπα αμέσως εάν παρατηρήσετε κακή απόδοση ή οτιδήποτε ανωμαλίες κατά τη λειτουργία.
20. ΑΠΟΣΥΝΔΕΣΤΕ ΤΗΝ ΗΛΕΚΤΡΙΚΗ ΣΚΟΥΠΑ. Όταν δεν τη χρησιμοποιείτε, πριν από το σέρβις και όταν αλλάζετε αξεσουάρ.
21. Καθαρίζετε και συντηρείτε την ηλεκτρική σκούπα αμέσως μετά από κάθε χρήση, για να τη κρατήσετε σε άριστη κατάσταση λειτουργίας.
22. ΝΑ ΦΡΟΝΤΙΖΕΤΕ ΤΗΝ ΗΛΕΚΤΡΙΚΗ ΣΚΟΥΠΑ ΜΕ ΠΡΟΣΟΧΗ. Να διατηρείτε την ηλεκτρική σκούπα

- καθαρή για την καλύτερη και ασφαλέστερη απόδοση. Να ακολουθείτε τις οδηγίες για την αλλαγή των αξεσουάρ. Να διατηρείτε τα χερούλια στεγνά, καθαρά, χωρίς λάδι και γράσο.
23. **ΝΑ ΕΛΕΓΧΕΤΕ ΤΑ ΜΕΡΗ ΠΟΥ ΕΧΟΥΝ ΥΠΟΣΤΕΙ ΖΗΜΙΑ.** Πριν από την περαιτέρω χρήση της ηλεκτρικής σκούπας, θα πρέπει να ελέγχετε προσεκτικά τυχόν προστατευτικά εξαρτήματα ή κάποιο άλλο εξάρτημα με ζημιά για να καθορίσετε εάν θα λειτουργήσει σωστά και εάν θα πραγματοποιήσει την προοριζόμενη λειτουργία του. Ελέγξτε την ευθυγράμμιση των κινούμενων μερών, τη στερέωση των κινούμενων μερών, το σπάσιμο εξαρτημάτων, τη στερέωση και οποιαδήποτε άλλη συνθήκη που ενδεχομένως να επηρεάσει τη λειτουργία του εργαλείου. Ένα προστατευτικό ή άλλο εξάρτημα με ζημιά θα πρέπει να επισκευαστεί ή να αντικατασταθεί σε εξουσιοδοτημένο κέντρο σέρβις εκτός εάν δηλώνεται διαφορετικά στο παρόν εγχειρίδιο οδηγιών. Οι ελαττωματικοί διακόπτες να επισκευάζονται από ένα εξουσιοδοτημένο κέντρο σέρβις. Μην χρησιμοποιείτε την ηλεκτρική σκούπα εάν ο διακόπτης δεν την ενεργοποιεί και δεν την απενεργοποιεί.
24. **ΑΝΤΑΛΛΑΚΤΙΚΑ.** Κατά τη συντήρηση, χρησιμοποιείτε μόνο γνήσια ανταλλακτικά.
25. **ΝΑ ΑΠΟΘΗΚΕΥΕΤΕ ΤΗΝ ΗΛΕΚΤΡΙΚΗ ΣΚΟΥΠΑ ΠΟΥ ΔΕΝ ΧΡΗΣΙΜΟΠΟΙΕΙΤΕ.** Όταν δεν βρίσκεται σε χρήση, η ηλεκτρική σκούπα θα πρέπει να αποθηκεύεται σε εσωτερικό χώρο.
26. **Να είστε προσεκτικοί με την ηλεκτρική σας σκούπα.** Ο βίαιος χειρισμός μπορεί να προκαλέσει ρήξη ακόμα και στις πιο ανθεκτικά κατασκευασμένες ηλεκτρικές σκούπες.
27. **Μην προσπαθήσετε να καθαρίσετε το εξωτερικό ή το εσωτερικό με βενζίνη, διαλυτικό ή χημικά καθαρισμού.** Μπορεί να προκληθούν ρωγμές και αποχρωματισμός.
28. **Να μην χρησιμοποιήσετε την ηλεκτρική σκούπα σε ένα κλειστό χώρο όπου υπάρχουν εύφλεκτοι, εκρηκτικοί ή τοξικοί ατμοί που εκπέμπονται από λαδομπογιά, διαλυτικό βαφής, βενζίνη, ορισμένες αντισηπτικές ουσίες, κλπ. ή σε περιοχές όπου είναι παρούσα εύφλεκτη σκόνη.**
29. **Μην αφήνετε το καλώδιο της ηλεκτρικής σκούπας στο πάτωμα μετά την ολοκλήρωση της εργασίας καθαρισμού.** Μπορεί δημιουργήσει τον κίνδυνο σκοντάμματος ή ενδέχεται να προκαλέσει βλάβη στην ηλεκτρική σκούπα.
30. **Μη χειρίζεστε το παρόν ή οποιοδήποτε άλλο εργαλείο όταν είστε κουρασμένοι ή όταν βρίσκεστε υπό την επήρεια αλκοόλ ή φαρμάκων.**
31. **Ως βασικό κανόνα ασφαλείας, να χρησιμοποιείτε προστατευτικά γυαλιά ή γυαλιά ασφαλείας με ασπίδες στις πλευρές.**
32. **Χρησιμοποιήστε μια μάσκα σκόνης υπό συνθήκες εργασίας όπου επικρατεί η σκόνη.**
33. **Το μηχάνημα αυτό δεν προορίζεται για χρήση από άτομα συμπεριλαμβανομένων των παιδιών με μειωμένες σωματικές, αισθητηριακές ή νοητικές ικανότητες ή που δεν διαθέτουν επαρκή εμπειρίας και γνώση.**

34. **Τα μικρά παιδιά θα πρέπει να εποπτεύονται ώστε να διασφαλιστεί ότι δεν παίζουν με την ηλεκτρική σκούπα.**
35. **Ποτέ να μην χειρίζεστε το βύσμα του καλωδίου ή την ηλεκτρική σκούπα με βρεγμένα χέρια.**
36. **Δώστε μεγάλη προσοχή κατά τον καθαρισμό πάνω σε σκάλες.**
37. **Μην χρησιμοποιείτε την ηλεκτρική σκούπα ως σκαμπί ή πάγκο εργασίας. Το μηχάνημα μπορεί να πέσει κάτω και να προκαλέσει προσωπικό τραυματισμό.**

ΚΡΑΤΗΣΤΕ ΓΙΑ ΜΕΛΛΟΝΤΙΚΗ ΑΝΑΦΟΡΑ

⚠ ΠΡΟΕΙΔΟΠΟΙΗΣΗ:

ΜΗΝ επιτρέψετε στη βολικότητα ή στην εξοικειώσή σας με το προϊόν (που αποκτήθηκε από επανειλημμένη χρήση) να αντικαταστήσει την αυστηρή προσήλωση στους κανόνες ασφαλείας του εν λόγω προϊόντος. Η ΛΑΝΘΑΣΜΕΝΗ ΧΡΗΣΗ ή η μη τήρηση των κανόνων ασφαλείας που διατυπώνονται στο παρόν εγχειρίδιο οδηγιών μπορεί να προκαλέσει σοβαρό τραυματισμό.

ΠΕΡΙΓΡΑΦΗ ΛΕΙΤΟΥΡΓΙΑΣ

⚠ ΠΡΟΕΙΔΟΠΟΙΗΣΗ:

- Πριν συνδέετε την ηλεκτρική σκούπα στο ηλεκτρικό ρεύμα, να βεβαιώνετε ότι είναι σβηστή. Η σύνδεση στο ρεύμα της ηλεκτρικής σκούπας με ανοικτό το διακόπτη, μπορεί να προκαλέσει την ανεπάντερη εκκίνηση και να προκληθεί σοβαρός προσωπικός τραυματισμός.

Δράση διακόπτη (Εικ. 1)

Για να ξεκινήσετε τη λειτουργία της ηλεκτρικής σκούπας, περιστρέψτε το μοχλό διακόπτη στη θέση "I". Για να τη σταματήσετε, περιστρέψτε το μοχλό διακόπτη στη θέση "O".

Η ισχύς αναρρόφησης μπορεί να ρυθμιστεί αναλόγως των απαιτήσεων εργασίας. (Εικ. 2)

Η απορροφητική ισχύς μπορεί να αυξηθεί με την περιστροφή του κουμπιού ρύθμισης της δύναμης αναρρόφησης από το σύμβολο ↶ στο σύμβολο ☺ .

Συνδένοντας ηλεκτρικά εργαλεία

⚠ ΠΡΟΕΙΔΟΠΟΙΗΣΗ:

- Τηρήστε τα μέγιστα επιτρεπόμενα φορτία σύνδεσης για την πρίζα της συσκευής (Ανατρέξτε στις ΠΡΟΔΙΑΓΡΑΦΕΣ.)
- Βεβαιωθείτε ότι τόσο η ηλεκτρική σκούπα όσο και το ηλεκτρικό εργαλείο είναι απενεργοποιημένα προτού συνδέσετε ή αποσυνδέσετε. Η σύνδεση του ηλεκτρικού εργαλείου στην ηλεκτρική σκούπα όταν και των δυο οι διακόπτες είναι ανοικτοί, ενδέχεται να προκαλέσει απροσδόκητη και αιφνίδια έναρξη με αποτέλεσμα το σοβαρό τραυματισμό.

Όταν συνδέετε ένα γειωμένο εργαλείο, εισάγετε ένα βύσμα με πλάκα γείωσης στην πρίζα της ηλεκτρικής σκούπας. (Εικ. 3)

⚠️ ΠΡΟΣΟΧΗ:

- Μην συνδέετε ποτέ ένα ηλεκτρικό εργαλείο με ισχύ εισόδου που υπερβαίνει αυτή που αναφέρεται στις "ΠΡΟΔΙΑΓΡΑΦΕΣ" στην πρίζα της ηλεκτρικής σκούπας περιστρέφοντας το κουμπί ρύθμισης της δύναμης αναρρόφησης. Η σύνδεση ενός ηλεκτρικού εργαλείου, η ισχύς του οποίου υπερβαίνει την καθορισμένη ισχύ εισόδου, μπορεί να προκαλέσει υπερθέρμανση και βλάβη της ηλεκτρικής σκούπας. Για να αποφύγετε το γεγονός αυτό ανατρέξτε στις προδιαγραφές.

Η ηλεκτρική σκούπα μπορεί να συνδεθεί σε ένα ηλεκτρικό εργαλείο μέχρι την ισχύ εισόδου που δείχνεται στις "ΠΡΟΔΙΑΓΡΑΦΕΣ".

Για να συνδέσετε ένα ηλεκτρικό εργαλείο, ανοίξτε το καπάκι και τοποθετήστε το βύσμα του ηλεκτρικού εργαλείου στην πρίζα της ηλεκτρικής σκούπας. Περιστρέψτε το μοχλό διακοπής στη θέση "ΑΥΤΟ".

(Εικ. 2)

Μετακινήστε το κουμπί ρύθμισης της δύναμης αναρρόφησης στη θέση που είναι κατάλληλη για την ισχύ εισόδου του ηλεκτρικού εργαλείου που σκοπεύετε να χρησιμοποιήσετε. Ανατρέξτε στις ΠΡΟΔΙΑΓΡΑΦΕΣ για τη σχέση μεταξύ του κουμπιού ρύθμισης της δύναμης αναρρόφησης και την ισχύ εισόδου του ηλεκτρικού εργαλείου.

Το άνοιγμα και το κλείσιμο του διακοπής του συνδεδεμένου ηλεκτρικού εργαλείου επιφέρει ταυτόχρονα τη δράση εκκίνησης και διακοπής της ηλεκτρικής σκούπας. Η ηλεκτρική σκούπα εξακολουθεί να λειτουργεί για μερικά δευτερόλεπτα ακόμη και μετά από την απενεργοποίηση του ηλεκτρικού εργαλείου.

Μετά τη χρήση, αποσυνδέστε το ηλεκτρικό εργαλείο από την πρίζα της ηλεκτρικής σκούπας.

Σβήστε την ηλεκτρική σκούπα μετά τη χρήση.

Διακοπή αυτόματης αναρρόφησης κατά τη διάρκεια της λειτουργίας αναρρόφησης

⚠️ ΠΡΟΕΙΔΟΠΟΙΗΣΗ:

- **Μη χρησιμοποιείτε για μακρό χρονικό διάστημα όταν λειτουργεί ο πλωτήρας.** Η χρήση της ηλεκτρικής σκούπας με το πλωτήρα σε λειτουργία για μεγάλο χρονικό διάστημα μπορεί να προκαλέσει υπερθέρμανση, με αποτέλεσμα την παραμόρφωση της ηλεκτρικής σκούπας.
- **Μην τραβάτε αφρό ή υγρό σαπουνάδας.** Το τράβηγμα αφρού ή υγρού με σαπουνάδα μπορεί να προκαλέσει την έξοδο του αφρού από το σημείο εξόδου αέρα πριν από τη λειτουργία του πλωτήρα. Αν συνεχίσετε τη χρήση σε αυτήν την κατάσταση μπορεί να προκληθεί ηλεκτροπληξία και βλάβη της ηλεκτρικής σκούπας.

Η ηλεκτρική σκούπα διαθέτει έναν μηχανισμό επίπλευσης που εμποδίζει την είσοδο του νερού στο μοτέρ όταν μαζεύεται περισσότερο από μια ορισμένη ποσότητα νερού.

Όταν το δοχείο είναι πλήρες και η ηλεκτρική σκούπα δεν μαζεύει πια το νερό, σβήστε την ηλεκτρική σκούπα και αδειάστε το δοχείο.

Τοποθέτηση του πλωτήρα (Εικ. 4)

Κατά τη σύνδεση ενός ηλεκτρικού εργαλείου, ασφαλίστε το καλώδιο τροφοδοσίας ρεύματος και τον εύκαμπο

σωλήνα χρησιμοποιώντας τα στηρίγματα που παρέχονται με την ηλεκτρική σκούπα ανά 70 cm - 80 cm απόσταση μεταξύ τους, ώστε ο εύκαμπτος σωλήνας να μην εμπλακεί με το καλώδιο τροφοδοσίας.

Χρήση του γάντζου βάσης

⚠️ ΠΡΟΣΟΧΗ:

- **Προσέξτε να μην μαγκώσετε τα δάκτυλά σας κατά το κλείσιμο του γάντζου βάσης.** Αν δεν το τηρήσετε αυτό, μπορεί να προκληθεί προσωπικός τραυματισμός.

ΣΗΜΕΙΩΣΗ:

- Μην ασκείτε υπερβολική δύναμη πάνω στον γάντζο βάσης. Η άσκηση υπερβολικής δύναμης πάνω στο γάντζο βάσης μπορεί να τον καταστρέψει. Κλείστε τον γάντζο βάσης όταν δεν χρησιμοποιείται.

Το άνοιγμα του γάντζου βάσης επιτρέπει την ακόλουθη χρήση.

1. Αποθήκευση του καλωδίου τροφοδοσίας

ΣΗΜΕΙΩΣΗ:

- **Μην χρησιμοποιείτε την ηλεκτρική σκούπα ή ένα συνδεδεμένο ηλεκτρικό εργαλείο με ένα καλώδιο τροφοδοσίας τυλιγμένο πάνω στον γάντζο βάσης.** Η χρήση της ηλεκτρικής σκούπας ή του συνδεδεμένου ηλεκτρικού εργαλείου με το καλώδιο τροφοδοσίας μπορεί να προκαλέσει βλάβη του καλωδίου τροφοδοσίας. (Εικ. 5)

2. Αποθήκευση των μπροστινών μανικιτών

Τα μπροστινά μανικέτια 22, 24 και 38 μπορούν να αποθηκευτούν (μέχρι δύο ταυτόχρονα.) (Εικ. 6)

3. Αποθήκευση του εύκαμπτου σωλήνα (Εικ. 7)

4. Στήριξη ένας λογικού μεγέθους ηλεκτρικού εργαλείου για το γάντζο βάσης, όπως ένα δισκοπρίονο. (Εικ. 8)

Κλειδωμα ή ξεκλειδωμα του τροχίσκου

Για τα μοντέλα VC1310L και VC2510L (Εικ. 9)

Για το μοντέλο VC3210L (Εικ. 10)

Για να ασφαλίσετε τον τροχίσκο με ένα αναστολέα, χαμηλώστε το επίπεδο του αναστολέα και ο τροχίσκος δεν θα μπορεί να περιστραφεί. Για να απελευθερώσετε τον τροχίσκο από την κλειδωμένη θέση, ανυψώστε το επίπεδο του αναστολέα.

Το κλειδωμα του τροχίσκου είναι βολικό κατά την αποθήκευση της ηλεκτρικής σκούπας, το σταμάτημα της εργασίας στο μέσον και τη διατήρηση της ηλεκτρικής σκούπας στην ακίνητη θέση.

Για να λειτουργήσει ο αναστολέας, μετακινήστε τον με το χέρι.

ΣΗΜΕΙΩΣΗ:

- Κατά τη μετακίνηση της ηλεκτρικής σκούπας, βεβαιωθείτε ότι ο τροχίσκος είναι ξεκλειδωτός. Η μετακίνηση της σκούπας με τον τροχίσκο στην ασφαλισμένη θέση, μπορεί να προκαλέσει βλάβη στο τροχίσκο.

ΣΥΝΑΡΜΟΛΟΓΗΣΗ

ΠΡΟΣΟΧΗ:

- Να βεβαιώνετε πάντοτε ότι η ηλεκτρική σκούπα είναι σβηστή και αποσυνδεδεμένη από το ηλεκτρικό ρεύμα πριν εκτελέσετε οποιαδήποτε εργασία σε αυτή.

Τοποθέτηση του φίλτρου νερού (Εικ. 11)

Για να μαζέψετε νερό ή υγρή σκόνη, αφαιρέστε το προφίλτρο και τον αποσβεστήρα και στη συνέχεια χρησιμοποιήστε το φίλτρο νερού.

Κατά την εγκατάσταση του φίλτρου νερού στο δοχείο, τοποθετήστε το σφίχτά στο άνοιγμα του δοχείου, έτσι ώστε ο γάντζος του φίλτρου νερού να συνδεθεί με το άνοιγμα του δοχείου σταθερά και να μην υπάρχει κενό διάστημα ανάμεσα στο φίλτρο νερού και στο δοχείο. (Εικ. 12)

Επίσης, εγκαταστήστε το φίλτρο νερού ώστε η σήμανση της θέσης στερέωσης να μπορεί να ευθυγραμμιστεί.

ΣΗΜΕΙΩΣΗ:

- Τα μοντέλα VC2510L και VC3210L δεν έχουν καμία σήμανση της θέσης στερέωσης και δεν απαιτείται η ευθυγράμμιση.

Τοποθέτηση του χαρτονιού

ΠΡΟΕΙΔΟΠΟΙΗΣΗ:

- Όταν χρησιμοποιείτε το χαρτόνι, να χρησιμοποιείτε επίσης μαζί και το προφίλτρο που είναι προεγκατεστημένο στο εργαλείο. Αν δεν χρησιμοποιήσετε μαζί το προφίλτρο μπορεί να προκληθεί ασυνήθιστος θόρυβος και θερμότητα, με αποτέλεσμα την πυρκαγιά.

ΠΡΟΣΟΧΗ:

- Ποτέ μην μαζεύετε νερό ή άλλα υγρά ή υγρές σκόνες όταν χρησιμοποιείται το χαρτόνι. Το μάζεμα τέτοιων πραγμάτων μπορεί να προκαλέσει τη θραύση του χαρτονιού.

1. Αφαιρέστε το λαστιχένιο στήριγμα. (Εικ. 13)
2. Προεκτείνετε το χαρτόνι.
3. Ευθυγραμμίστε το άνοιγμα του χαρτονιού με το άνοιγμα αναρόφησης σκόνης της ηλεκτρικής σκούπας. (Εικ. 14 και 15)
4. Τοποθετήστε πάνω επίσης το ναστόχαρτο του χαρτονιού έτσι ώστε να είναι τοποθετημένο στην άκρη πέρα από την προεξοχή συγκράτησης.

Τοποθέτηση του στηρίγματος σωλήνων (προαιρετικό αξεσουάρ)

Για το μοντέλο VC1310L μόνο

Πατήστε το γάντζο του καλωδίου όπως απεικονίζεται στην εικόνα. (Fig. 16)

Συνδέεται το στήριγμα των σωλήνων πάνω στο γάντζο του καλωδίου. (Οι γάντζοι είναι μακριά από το κάλυμμα του δοχείου.)

Σηκώστε το στήριγμα των σωλήνων όσο οι γάντζοι εφάπτονται στο δοχείο και πατήστε το τμήμα Α του στηρίγματος σωλήνων. (Εικ. 17)

Πατήστε το τμήμα Α με μεγάλη δύναμη και με το τμήμα Α πατημένο χαμηλότερα του στηρίγματος σωλήνων. (Εικ. 18)

Ταιριάζτε τις δυο προεξοχές του στηρίγματος σωλήνων στις εσοχές του καλύμματος του δοχείου και στη συνέχεια,

πιέστε προς τα κάτω το στήριγμα σωλήνων. (Εικ. 19 και 20)

ΣΗΜΕΙΩΣΗ:

- Το στήριγμα σωλήνων που είναι υπερβολικά χαμηλότερο από την προβλεπόμενη θέση δεν μπορεί να εγκατασταθεί στον γάντζο του καλωδίου με το γάντζο μακριά από το κάλυμμα του δοχείου, όπως φαίνεται στην εικόνα. (Εικ. 21)

ΣΗΜΕΙΩΣΗ:

- Βεβαιωθείτε ότι οι δυο γάντζοι του στηρίγματος σωλήνων είναι προσκολλημένοι με ασφάλεια στο κάλυμμα του δοχείου. (Εικ. 22)

Σύνδεση ενός εύκαμπτου σωλήνα

ΠΡΟΣΟΧΗ:

- Ποτέ μην πιέζετε το σωλήνα για να τον κάμψετε ή να τον σταμπάρετε. Ποτέ μην μετακινείτε την ηλεκτρική σκούπα από τον εύκαμπο σωλήνα. Η άσκηση δύναμης, το σταμπάρισμα και το τράβηγμα του εύκαμπτου σωλήνα μπορεί να προκαλέσει θραύση ή η παραμόρφωση του σωλήνα.
- Κατά το μάζεμα μεγάλων αποβλήτων, όπως αποκόμματα πλάνης, σκόνες από ακυρόδεμα ή παρόμοια, εκτός από τα μικρά απόβλητα, χρησιμοποιήστε τον εύκαμπο σωλήνα με εσωτερική διάμετρο 38 mm (προαιρετικό αξεσουάρ). Η χρήση του εύκαμπτου σωλήνα με εσωτερική διάμετρο 28 mm μπορεί να προκαλέσει το βούλωμα του σωλήνα και ζημιά.

Εισάγετε τον εύκαμπο σωλήνα μέσα στην είσοδο του δοχείου και περιστρέψτε τον δεξιόδροφα έως ότου ασφαλίσει. (Εικ. 23)

Εγκατάσταση σακούλας πολυαιθυλενίου

Η ηλεκτρική σκούπα μπορεί επίσης να χρησιμοποιηθεί χωρίς τη σακούλα πολυαιθυλενίου. Ωστόσο, με τη χρήση της σακούλας πολυαιθυλενίου γίνεται πιο εύκολο το άδειασμα του δοχείου χωρίς να βρομίσετε τα χέρια σας. Απλώστε τη σακούλα πολυαιθυλενίου στο δοχείο. Τοποθετήστε τη μεταξύ της πλάκας στηρίγματος και του δοχείου και τραβήξτε τη προς την είσοδο του σωλήνα. (Εικ. 24)

Απλώστε την σακούλα γύρω από την κορυφή του δοχείου.

Γαντζώστε στην άλλη πλευρά του σάκου γύρω από την κορυφή του δοχείου, έτσι ώστε το άγκιστρο του προφίλτρου να μπορεί να πιάσει και κρατήσει το σταθερά. (Εικ. 25)

ΣΗΜΕΙΩΣΗ:

- Μπορεί να χρησιμοποιηθεί μια σακούλα πολυαιθυλενίου που διατίθεται στην αγορά. Συνίσταται ένα πάχος 0,04 mm ή μεγαλύτερο.
- Η μεγάλη ποσότητα σκόνης θα σκίσει εύκολα τη σακούλα, για αυτό μην γεμίζετε την σακούλα με σκόνη πάνω από το μισό της χωρητικότητάς της.

Άδειασμα της σακούλας πολυαιθυλενίου

ΠΡΟΕΙΔΟΠΟΙΗΣΗ:

- Πάντοτε να βεβαιώνετε ότι η ηλεκτρική σκούπα είναι σβηστή και βγαλμένη από την πρίζα πριν αδειάσετε τη σακούλα παλαιουθυλενίου. Εάν δεν το κάνετε αυτό

μπορεί να προκληθεί ηλεκτροπληξία ή προσωπικός τραυματισμός.

⚠️ ΠΡΟΣΟΧΗ:

- Μην χτυπήσετε δυνατά το φίλτρο σκόνης και το δοχείο. Η άσκηση δυνατού χτυπήματος μπορεί να προκαλέσει παραμόρφωση και ζημιά στο φίλτρο σκόνης και στο δοχείο.
- Αδειάστε το δοχείο τουλάχιστον μια φορά την ημέρα να και αυτό εξαρτάται από τον όγκο της σκόνης στο δοχείο που έχει μαζευτεί. Διαφορετικά, η δύναμη αναρρόφησης θα εξασθενήσει και ο κινητήρας μπορεί να πάθει ζημιά.
- Μη πιάνετε το γάντζο κατά το άδειασμα του δοχείου. Το πάσιμο του γάντζου μπορεί να προκαλέσει το σπάσιμο του γάντζου.

Απαγκιστρώστε και ανασηκώστε το κάλυμμα του δοχείου. (Εικ. 26)

Αποτινάξτε τη σκόνη από το φίλτρο σκόνης, τον αποσβεστήρα και το προφίλτρο και στη συνέχεια βγάλτε τη σακούλα πολυαιθυλενίου έξω από το δοχείο. (Εικ. 27)

ΣΗΜΕΙΩΣΗ:

- Βγάλτε τη σακούλα πολυαιθυλενίου προσεκτικά έξω από το δοχείο, έτσι ώστε η σακούλα πολυαιθυλενίου να μην μπορεί να σχιστεί από την προεξοχή μέσα στο δοχείο κατά την εκκένωση.
- Αδειάστε τη σακούλα πολυαιθυλενίου πριν γεμίσει. Η πάρα πολύ μεγάλη ποσότητα σκόνης στο δοχείο μπορεί να προκαλέσει το σχίσσιμο της σακούλας πολυαιθυλενίου.

Τοποθέτηση του φίλτρου σκόνης (Εικ.11)

Τοποθετήστε το προφίλτρο στο δοχείο.

Στη συνέχεια, στερεώστε τον αποσβεστήρα στο φίλτρο σκόνης και μετά τοποθετήστε το στο προφίλτρο.

Κατά την εγκατάσταση του φίλτρου σκόνης και του προφίλτρου, η σήμανση της θέσης στερέωσης για κάθε ένα από αυτά ευθυγραμμίζεται με τη σήμανση στο πάνω μέρος του δοχείου.

Τέλος, τοποθετήστε το κάλυμμα του δοχείου.

ΣΗΜΕΙΩΣΗ:

- Τα μοντέλα VC2510L και VC3210L δεν έχουν καμία σήμανση της θέσης στερέωσης και δεν απαιτείται ευθυγράμμιση.
- Πριν από τη χρήση του φίλτρου σκόνης, βεβαιωθείτε ότι το προφίλτρο και ο αποσβεστήρας χρησιμοποιούνται πάντα μαζί. Δεν επιτρέπεται η εγκατάσταση μόνο του φίλτρου σκόνης.
- Πριν από τη χρήση του χαρτονιού, βεβαιωθείτε ότι το φίλτρο σκόνης, ο αποσβεστήρας και το προφίλτρο χρησιμοποιούνται πάντα μαζί.

Μεταφορά της ηλεκτρικής σκούπας (Εικ. 28)

Κατά τη μεταφορά της ηλεκτρικής σκούπας, μεταφέρετέ την κρατώντας το χερούλι στο πάνω μέρος όπως απεικονίζεται στην εικόνα. Το χερούλι είναι αναδιπλούμενο όταν δεν το χρησιμοποιείτε.

ΣΥΝΤΗΡΗΣΗ

⚠️ ΠΡΟΣΟΧΗ:

- Να βεβαιώνετε πάντοτε ότι το εργαλείο είναι σβηστό και αποσυνδεδεμένο από το ηλεκτρικό ρεύμα πριν εκτελέσετε οποιαδήποτε εργασία ελέγχου ή συντήρησης σε αυτό.

Αποθήκευση του καλωδίου τροφοδοσίας

Μόνο για το Μοντέλο VC1310L (Εικ. 29 και 30)

Τραβήξτε το γάντζο του καλωδίου ή ανοίξτε το γάντζο της βάσης. Τυλίξτε το καλώδιο τροφοδοσίας και κρεμάστε το στον γάντζο του καλωδίου ή τυλίξτε το γύρω από το γάντζο της βάσης.

ΣΗΜΕΙΩΣΗ:

- Μην ασκείτε δύναμη στο καλώδιο τροφοδοσίας κατά την προσπάθεια αποσύνδεσης από το γάντζο του καλωδίου. Η άσκηση δύναμης στο καλώδιο τροφοδοσίας για την αποσύνδεση από το γάντζο του καλωδίου μπορεί να προκαλέσει βλάβη στο καλώδιο.

Για τα μοντέλα VC2510L και VC3210L (Εικ. 31 και 32)

Τυλίξτε το καλώδιο παροχής ρεύματος γύρω από το γάντζο της βάσης.

Αποθήκευση των αξεσουάρ

ΣΗΜΕΙΩΣΗ:

- Μην εφαρμόζετε υπερβολική δύναμη στα αξεσουάρ που κρατούνται από το στήριγμα σωλήνων. Η άσκηση υπερβολικής δύναμης σε αυτά τα εξαρτήματα μπορεί να προκαλέσει βλάβη στο στήριγμα σωλήνων.

Για το μοντέλο VC1310L μόνο (Fig. 33)

Το στήριγμα σωλήνων μπορεί να χρησιμοποιηθεί για την αποθήκευση του ίδιου σωλήνα, του γωνιασμένου σωλήνα, του ακροφύσιου γωνίας και παρόμοιων υλικών απλά και μόνο με την τοποθέτηση αυτών των αξεσουάρ. Επίσης οι σωλήνες μπορούν να τοποθετηθούν στο στήριγμα σωλήνων κατά το σύντομο σταμάτημα της χρήσης της ηλεκτρικής σκούπας. (Εικ. 34)

Για τα Μοντέλα VC2510L και VC3210L (Εικ. 35)

Η βάση των σωλήνων μπορεί να χρησιμοποιηθεί για την αποθήκευση ίδιου σωλήνα, γωνιασμένου σωλήνα και άλλων υλικών απλά και μόνο με την τοποθέτηση αυτών των αξεσουάρ. (Εικ. 36)

Επίσης οι σωλήνες μπορούν να τοποθετηθούν στο στήριγμα σωλήνων κατά το σύντομο σταμάτημα της χρήσης της ηλεκτρικής σκούπας.

Καθαρισμός

⚠️ ΠΡΟΣΟΧΗ:

- Μην χρησιμοποιήσετε βενζίνη, βενζόλη, διαλυτικό, αλκοόλη ή κάτι παρόμοιο. Μπορεί να προκληθεί αποχρωματισμός, παραμόρφωση ή ρωγμές.

Τα βουλωμένα φίλτρο σκόνης, προφίλτρο και αποσβεστήρας μπορεί να οδηγήσουν στην κακή απόδοση αναρρόφησης. (Εικ. 37)

Καθαρίστε τα φίλτρα και τους αποσβεστήρες από καιρό σε καιρό.

Για να απομακρύνετε τη σκόνη ή τα σωματίδια που έχουν προσκολληθεί στα φίλτρα, ανακινήστε το κάτω πλαίσιο γρήγορα αρκετές φορές.

Περιστασιακά, πλένεται το φίλτρο σκόνης στο νερό, ξεπλύνετε και στεγνώστε καλά στη σκιά πριν τη χρήση. Ποτέ μην πλένετε τα φίλτρα σε πλυντήριο. **(Εικ. 38)**

ΣΗΜΕΙΩΣΗ:

- Μην τρίβετε και ξύνετε το φίλτρο σκόνης, το προφίλτρο ή τον αποσβεστήρα με σκληρά αντικείμενα, όπως μια βούρτσα και ένα ξέστρο.
- Τα φίλτρα είναι αναλώσιμα και συνιστάται η ύπαρξη ανταλλακτικών κομματιών.

Για να διατηρείται η ΑΣΦΑΛΕΙΑ και η ΑΞΙΟΠΙΣΤΙΑ του προϊόντος, οι εργασίες επισκευής, καθώς και οποιαδήποτε άλλη εργασία συντήρησης ή ρύθμισης, θα πρέπει να εκτελούνται σε εξουσιοδοτημένα κέντρα εξυπηρέτησης της Makita, και πάντοτε με τη χρήση ανταλλακτικών της Makita.

ΠΡΟΑΙΡΕΤΙΚΑ ΑΞΕΣΟΥΑΡ

ΠΡΟΣΟΧΗ:

- Συνιστάται η χρήση αυτών των αξεσουάρ ή εξαρτημάτων με το εργαλείο της Makita, όπως περιγράφεται στο παρόν χειριδίο. Αν χρησιμοποιήσετε άλλα αξεσουάρ ή εξαρτήματα μπορεί να παρουσιαστεί κίνδυνος για πρόκληση τραυματισμού προσώπων. Να χρησιμοποιείτε τα αξεσουάρ και τα εξαρτήματα μόνο για το σκοπό για τον οποίο προορίζονται.

Αν χρειάζεστε κάποια βοήθεια ή περισσότερες πληροφορίες σχετικά με τα αξεσουάρ αυτά, απευθυνθείτε στο πλησιέστερο κέντρο εξυπηρέτησης της Makita.

- Εύκαμπτος σωλήνας
- Μπροστινά μανικέτια (22, 24, 38)
- Ευθύς σωλήνας
- Γωνιακό ακροφύσιο
- Στρογγυλή βούρτσα
- Φίλτρο σκόνης (Για ξηρού τύπου)
- Αποσβεστήρας
- Προφίλτρο
- Συγκρότημα ακροφυσίου
- Γωνιασμένος σωλήνας
- Σακούλα πολυαιθυλενίου
- Φίλτρο (Για νερό)
- Χαρτόνι
- Σετ στηρίγματος
- Στήριγμα σωλήνων (για το μοντέλο VC1310L μόνο)

ΣΗΜΕΙΩΣΗ:

- Ορισμένα από τα στοιχεία της λίστα μπορεί να περιέχονται στην συσκευασία του εργαλείου ως κανονικά αξεσουάρ. Αυτά ενδέχεται να διαφέρουν από χώρα σε χώρα.

Θόρυβος

ENG905-1

Το σύνθετος σταθμισμένο επίπεδο θορύβου που έχει καθοριστεί σύμφωνα με την EN/IEC60704:

Μοντέλο VC1310L

Επίπεδο ηχητικής πίεσης (L_{pA}): 72 dB (A)

Αβεβαιότητα (K): 2,5 dB (A)

Το επίπεδο θορύβου κατά τη λειτουργία ενδέχεται να υπερβεί τα 80 dB (A).

Μοντέλο VC2510L, VC3210L

Επίπεδο ηχητικής πίεσης (L_{pA}): 73 dB (A)

Αβεβαιότητα (K): 2,5 dB (A)

Το επίπεδο θορύβου κατά τη λειτουργία ενδέχεται να υπερβεί τα 80 dB (A).

Να φοράτε ωτοασπίδες.

Για τις ευρωπαϊκές χώρες μόνο

ENH038-3

ΕΚ – Δήλωση συμμόρφωσης

Η Makita δηλώνει ότι το παρακάτω μηχάνημα(τα):

Ονομασία μηχανήματος:

Ηλεκτρική σκούπα

Αρ. Μοντέλου/ Τύπος: VC1310L, VC2510L, VC3210L

Συμμορφώνονται με τις ακόλουθες Ευρωπαϊκές

Οδηγίες:

2006/42/EK

Κατασκευάζονται σύμφωνα με το παρακάτω πρότυπο ή τυποποιημένα έγγραφα:

EN60335

Το τεχνικό αρχείο σύμφωνα με την 2006/42/EK είναι διαθέσιμο από:

Makita, Jan-Baptist Vinkstraat 2, 3070, Belgium

31. 7. 2014



Yasushi Fukaya

Διευθυντής

Makita, Jan-Baptist Vinkstraat 2, 3070, Belgium

Makita Jan-Baptist Vinkstraat 2, 3070, Belgium
Makita Corporation Anjo, Aichi, Japan

884995E990

www.makita.com

ALA