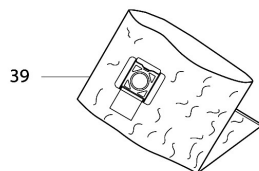
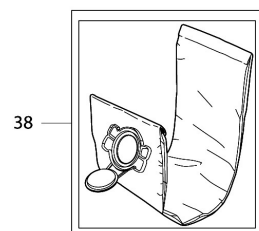
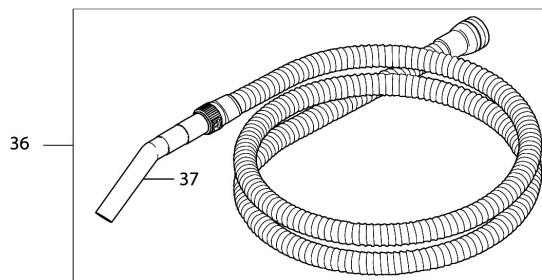
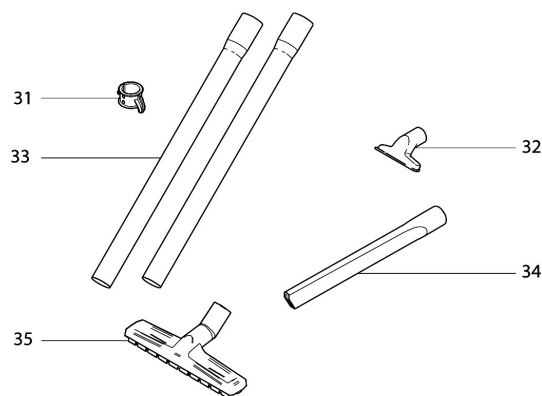
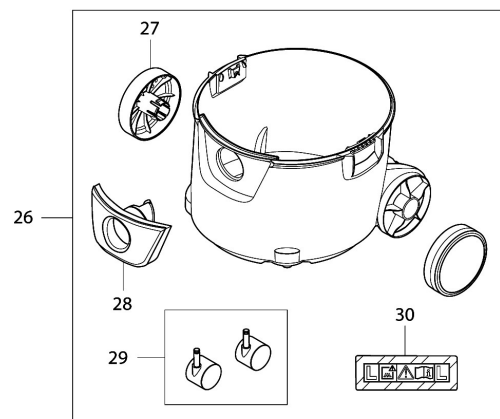
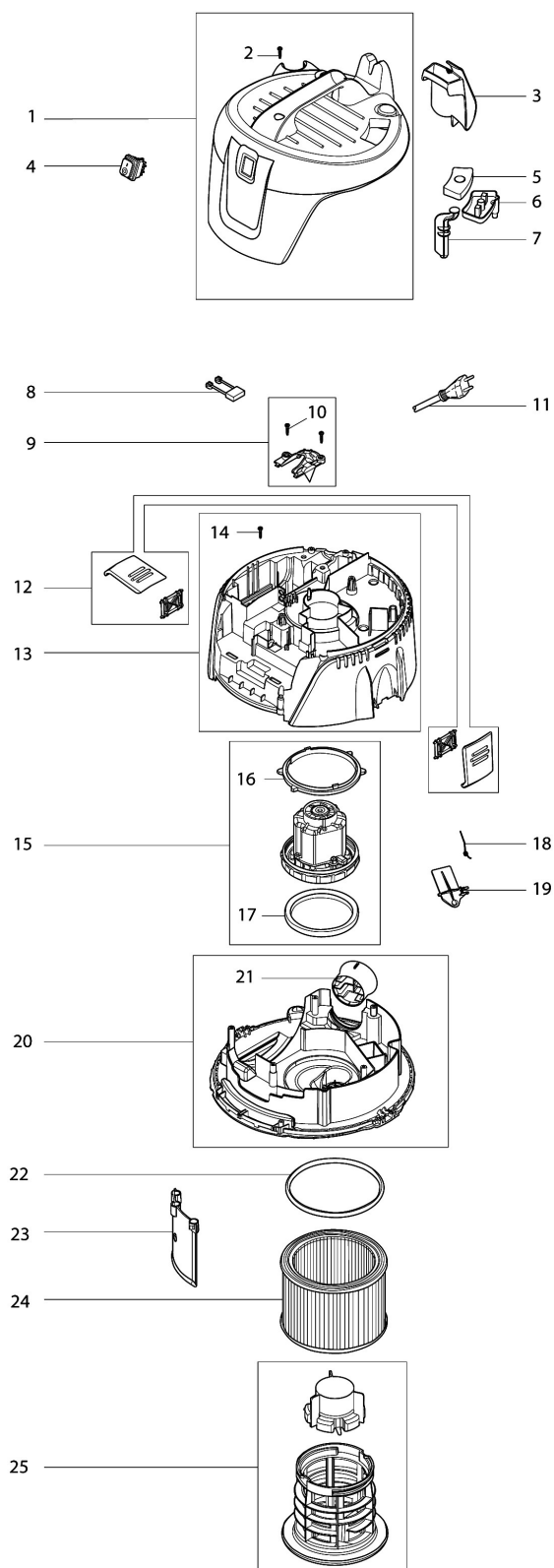


Model No.VC2000L VACUUM CLEANER



## Model No.VC2000L VACUUM CLEANER

| Position | Référence pièce | Description                    | Echange | QTE | New/Old | Option 1 | Option 2 | COMMENTAIRE |
|----------|-----------------|--------------------------------|---------|-----|---------|----------|----------|-------------|
| 001      | W107419618      | COVER                          |         | 1   |         |          |          |             |
| D10      |                 | INC. 2                         |         |     |         |          |          |             |
| 002      | W302003704      | SCREW 5X18 TX20                |         | 2   |         |          | P3       |             |
| 003      | W107409981      | HOSE AND CABLE HOOK            |         | 1   |         |          |          |             |
| 004      | W107404540      | SWITCH O-I                     |         | 1   |         |          |          |             |
| 005      | W107409183      | DEDUSTING KNOB                 |         | 1   |         |          |          |             |
| 006      | W107409127      | P&C DRAIN HOUSING              |         | 1   |         |          |          |             |
| 007      | W107409128      | DEDUTING ROD                   |         | 1   |         |          |          |             |
| 008      | W107404542      | CAPACITOR 0.1 MICRO FARAD      |         | 1   |         |          | P17      |             |
| 009      | W107409125      | CABLE OUTLET                   |         | 1   |         |          | P15      |             |
| D10      |                 | INC. 10                        |         |     |         |          |          |             |
| 010      | W302003704      | SCREW 5X18 TX20                |         | 2   |         |          | P3       |             |
| 011      | W302002394      | POWER CORD CEE 7/7             |         | 1   |         |          |          |             |
| 012      | W107409130      | KIT LOCKING CLAMP              |         | 2   |         |          | P16      |             |
| 013      | W107409132      | CLAMPING PLATE                 |         | 1   |         |          | P26      |             |
| D10      |                 | INC. 14                        |         |     |         |          |          |             |
| 014      | W302003704      | SCREW 5X18 TX20                |         | 6   |         |          | P3       |             |
| 015      | W107409160      | MOTOR 220-240V 1000 W          |         | 1   |         |          | P32      |             |
| D10      |                 | INC. 16,17                     |         |     |         |          |          |             |
| 016      | W107409163      | UPPER MOTOR SEALING            |         | 1   |         |          | P15      |             |
| 017      | W107409164      | LOWER MOTOR SEALING            |         | 1   |         |          | P17      |             |
| 018      | W909100083      | TORSION SPRING                 |         | 1   |         |          | P9       |             |
| 019      | W107409129      | DEDUSTING FLAP                 |         | 1   |         |          | P10      |             |
| 020      | W107409166      | BASE PLATE WITH AIR OUTLET     |         | 1   |         |          | P33      |             |
| D10      |                 | INC. 21                        |         |     |         |          |          |             |
| 021      | W107409167      | AIR OUTLET                     |         | 1   |         |          | P15      |             |
| 022      | W107409165      | SEALING FILTER                 |         | 1   |         |          | P13      |             |
| 023      | W107409159      | DEFLECTOR SHIELD               |         | 1   |         |          | P16      |             |
| 024      | P-70219         | FILTER ELEMENT                 |         | 1   |         |          | A71      |             |
| 025      | W107402646      | KIT FILTER SUPPORT CAGE +FLOAT |         | 1   |         |          |          |             |
| 026      | W107419619      | MAKITA CONTAINER 20L           |         | 1   |         |          |          |             |
| D10      |                 | INC. 27-30                     |         |     |         |          |          |             |
| 027      | W107409170      | WHEEL D130                     |         | 2   |         |          | P16      |             |
| 028      | W107409169      | INLET FITTING >VC2512L<        |         | 1   |         |          | P17      |             |
| 029      | W140642250      | KIT CASTOR WHEELS 50MM         |         | 1   |         |          |          |             |
| 030      | W302004200      | LABEL >DUST CLASS L<           |         | 1   |         |          | P3       |             |
| 031      | W107409979      | TUBE HOLDER KIT                |         | 1   |         |          | A12      |             |
| 032      | W000014295      | NOZZLE UNIVERSAL               |         | 1   |         |          |          |             |
| 033      | P-72942         | SUCTION TUBE 35X520MM 2PCS.    |         | 1   |         |          | A31      |             |
| 034      | W000029541      | CREVICE NOZZLE                 |         | 1   |         |          |          |             |
| 035      | W107402706      | FLOOR NOZZLE 36X260MM          |         | 1   |         |          | A64      |             |
| 036      | P-81739         | SUCTION HOSE D32X3500 W/TUBE   |         | 1   |         |          |          |             |

Please order the parts with part number.

Print Date 23/7/2020

## Model No.VC2000L VACUUM CLEANER

| Position | Référence pièce | Description               | Echange | QTE | New/Old | Option 1 | Option 2 | COMMENTAIRE |
|----------|-----------------|---------------------------|---------|-----|---------|----------|----------|-------------|
| D10      |                 | INC. 37                   |         |     |         |          |          |             |
| 037      | W107413340      | HAND TUBE WITH REGULATION |         | 1   |         |          |          |             |
| 038      | P-72899         | FILTER BAG                |         | 1   |         |          | A31      |             |
| 039      | P-70297         | DISPOSAL BAG              |         | 1   |         |          | A28      |             |

Please order the parts with part number.

Print Date 23/7/2020