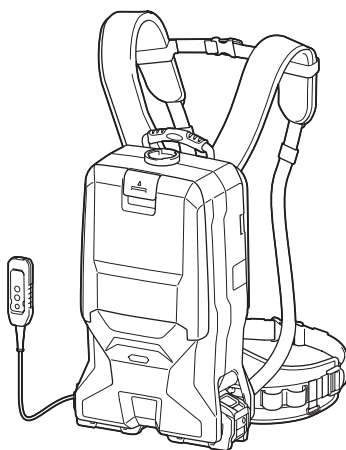




EN	Cordless Backpack Vacuum Cleaner	INSTRUCTION MANUAL	11
FR	Aspirateur Dorsal Sans Fil	MANUEL D'INSTRUCTIONS	23
DE	Akku-Rucksackstaubsauger	BETRIEBSANLEITUNG	36
IT	Aspirapolvere spalleggiato a batteria	ISTRUZIONI PER L'USO	49
NL	Ruggedragen accustofzuiger	GEBRUIKSAANWIJZING	62
ES	Aspiradora de mochila a batería	MANUAL DE INSTRUCCIONES	75
PT	Aspirador Costal a Bateria	MANUAL DE INSTRUÇÕES	88
DA	Akku rygstøvsuger	BRUGSANVISNING	100
EL	Φορητή μηχανή αναρρόφησης πλάτης	ΕΓΧΕΙΡΙΔΙΟ ΟΔΗΓΙΩΝ	112
TR	Akülü Sırt Süpürgesi	KULLANMA KILAVUZU	126

## VC011G



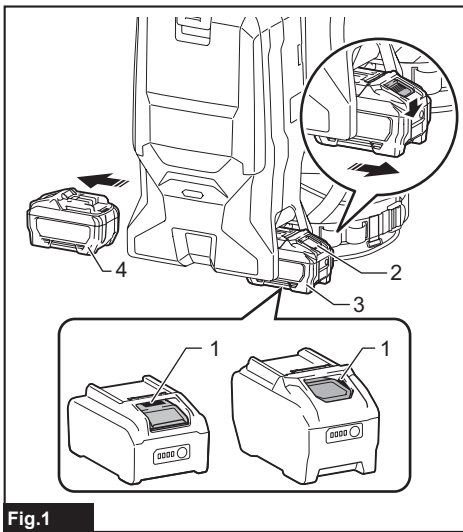


Fig.1

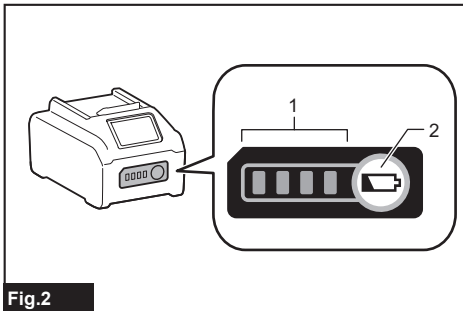


Fig.2

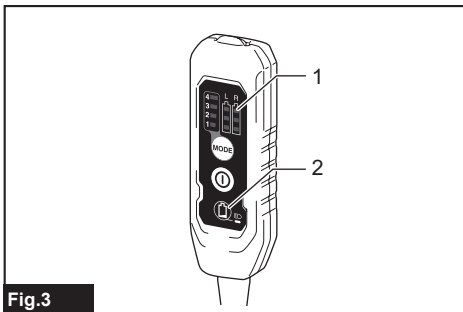


Fig.3

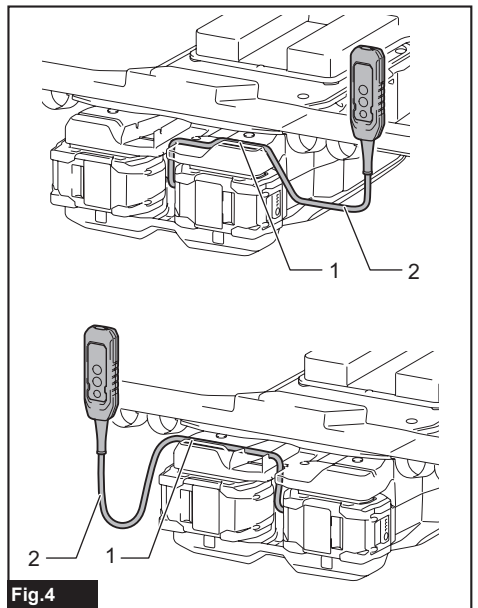


Fig.4

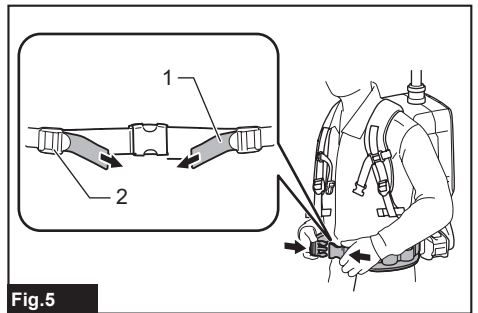


Fig.5

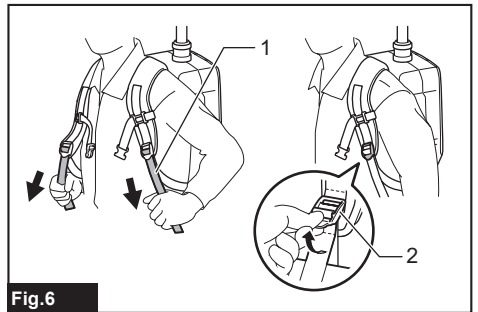


Fig.6

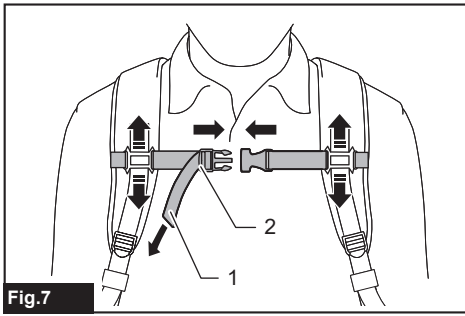


Fig.7

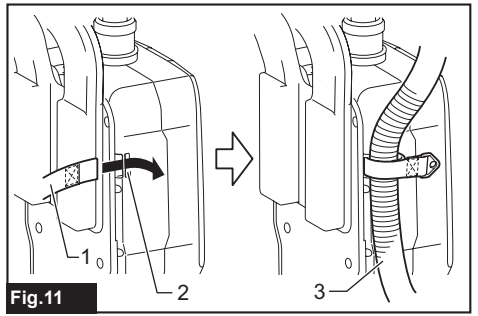


Fig.11

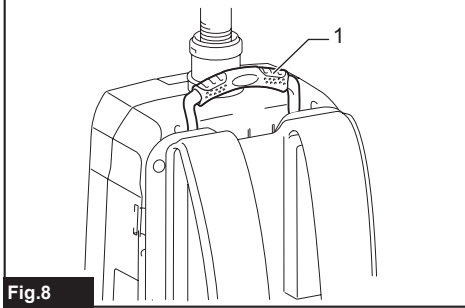


Fig.8

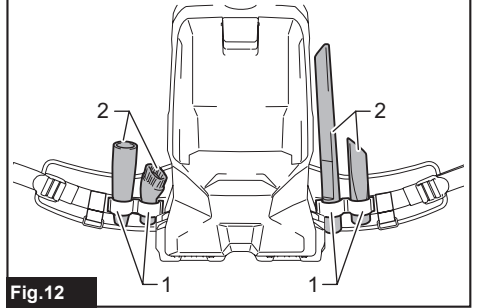


Fig.12

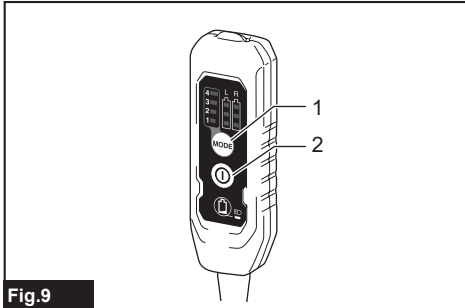


Fig.9

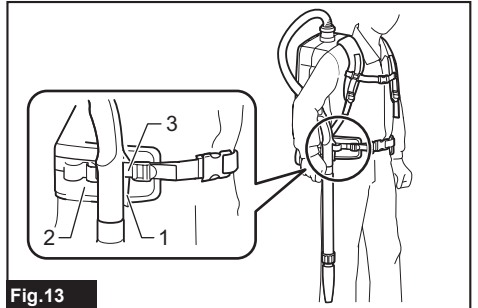


Fig.13

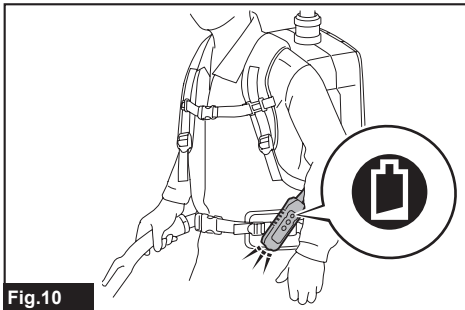


Fig.10

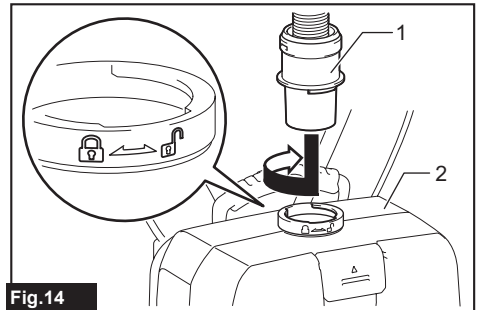


Fig.14

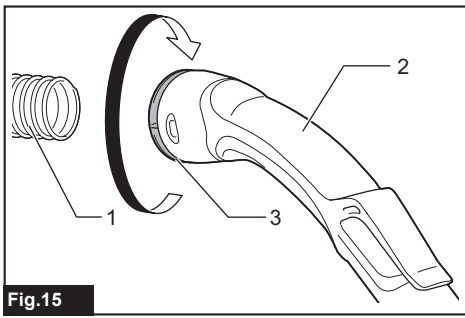


Fig.15

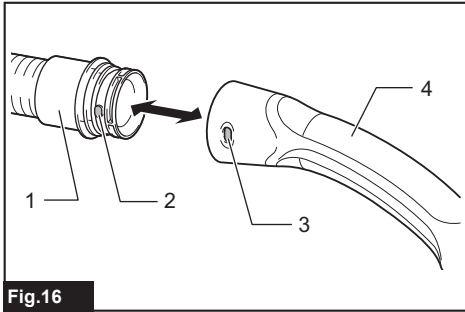


Fig.16

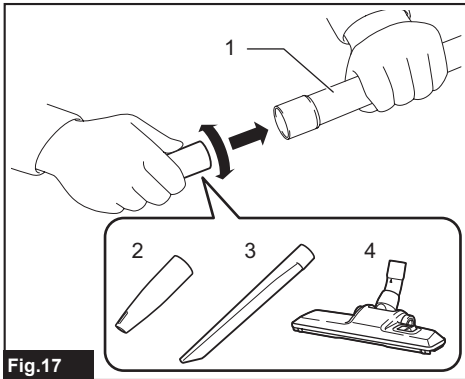


Fig.17

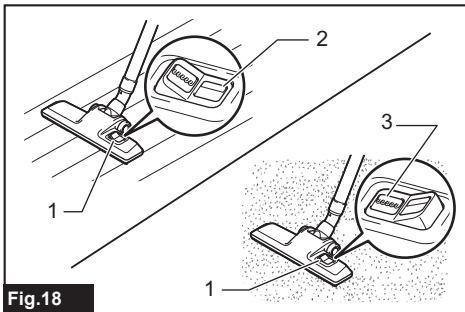


Fig.18

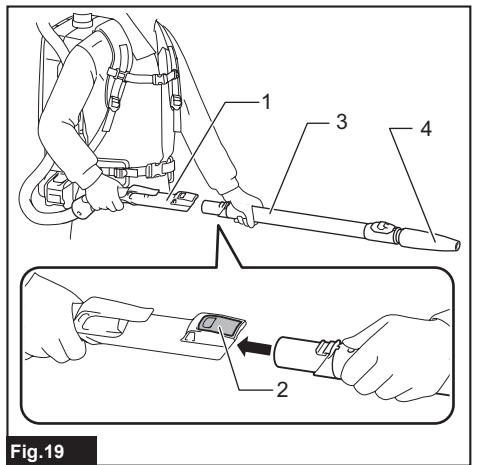


Fig.19

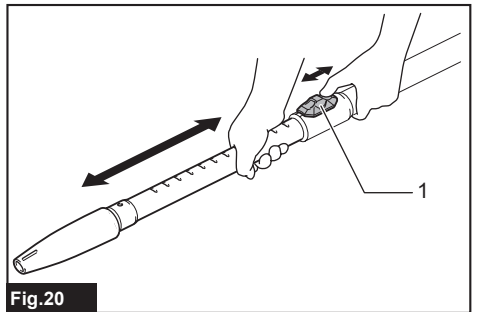


Fig.20

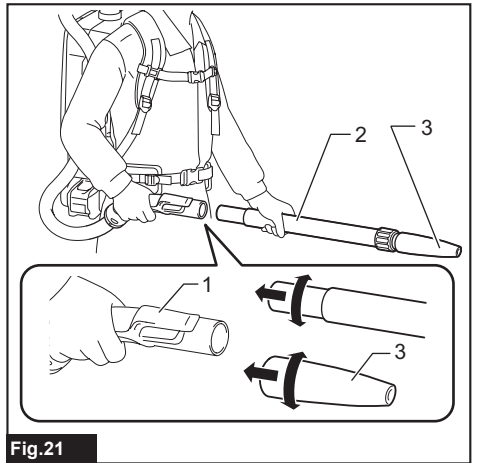


Fig.21

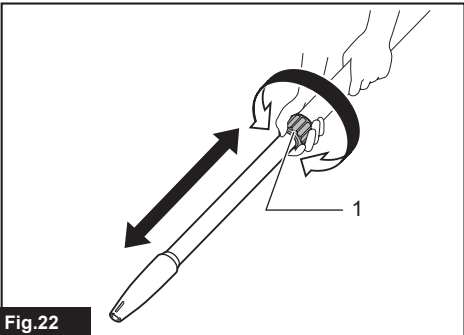


Fig.22

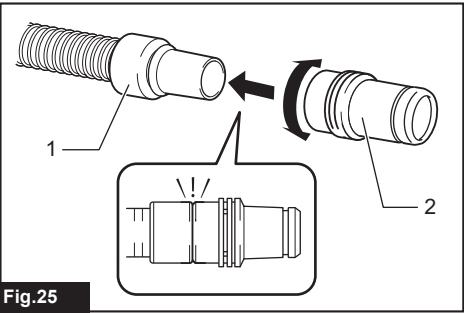


Fig.25

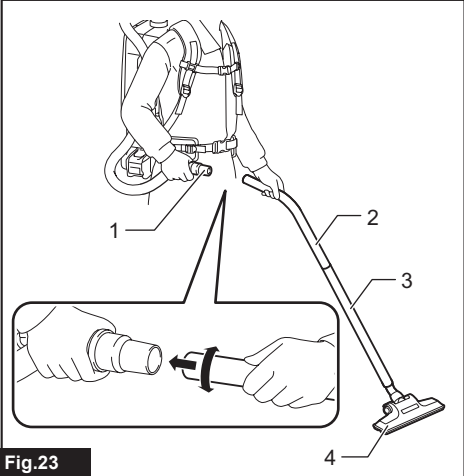


Fig.23

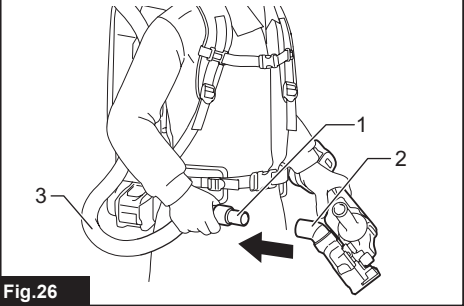


Fig.26

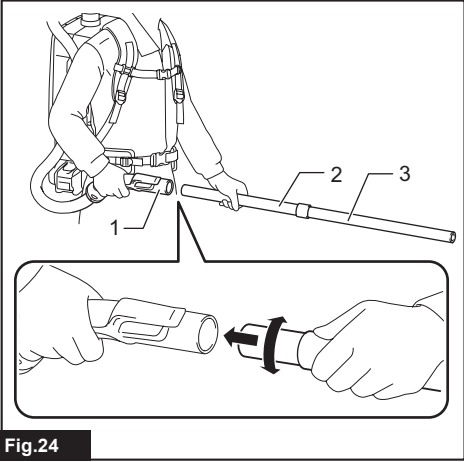


Fig.24

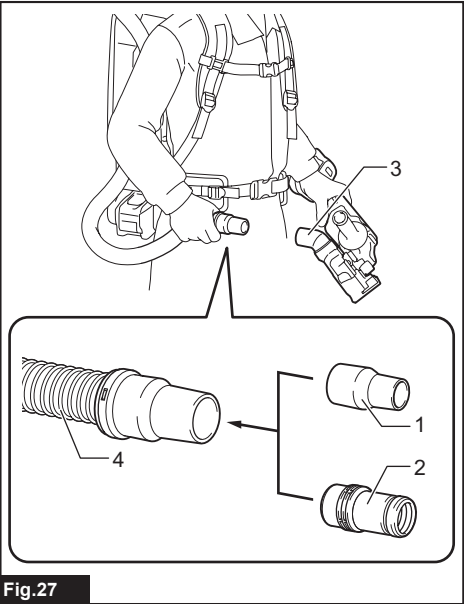


Fig.27

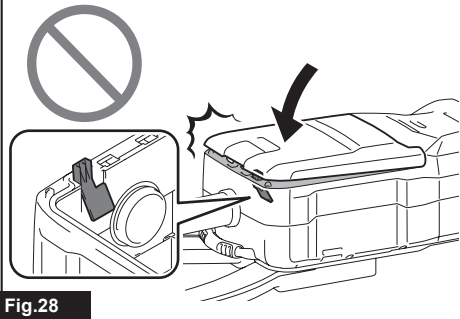
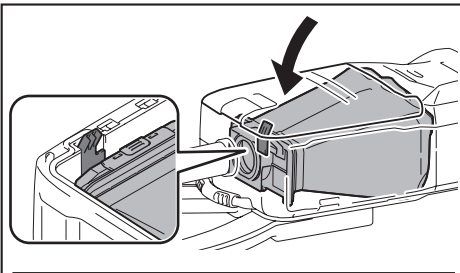


Fig.28

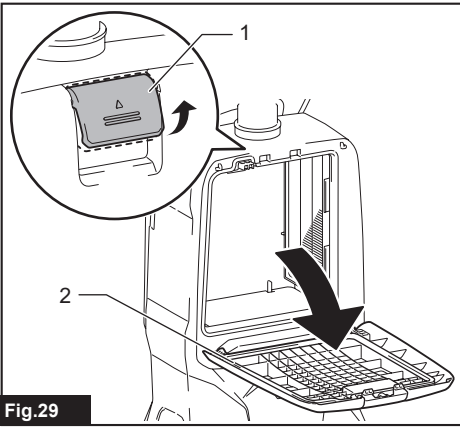


Fig.29

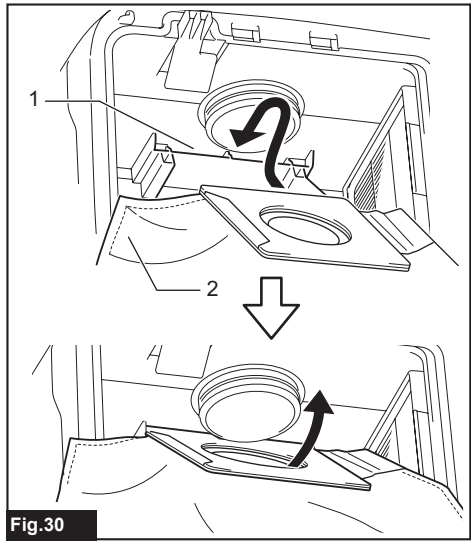


Fig.30

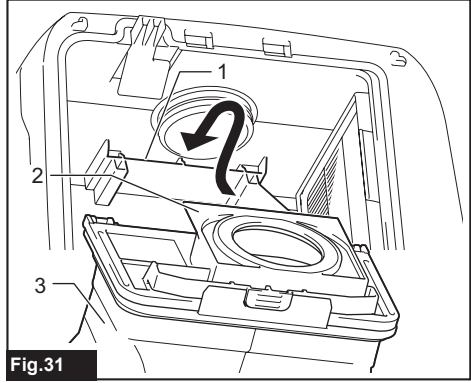


Fig.31

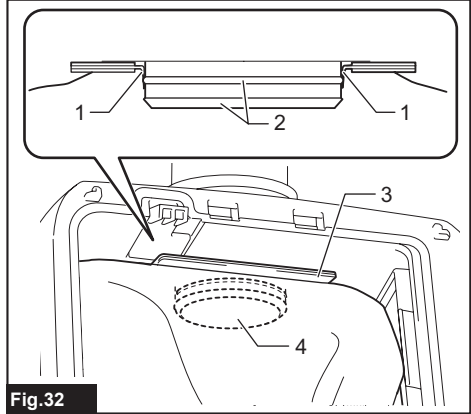


Fig.32

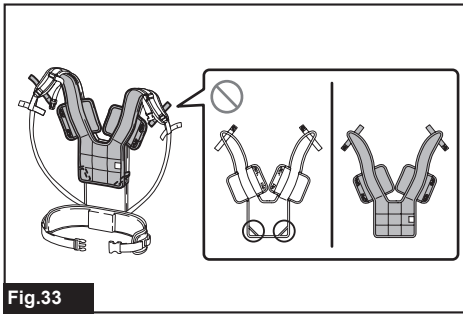


Fig.33

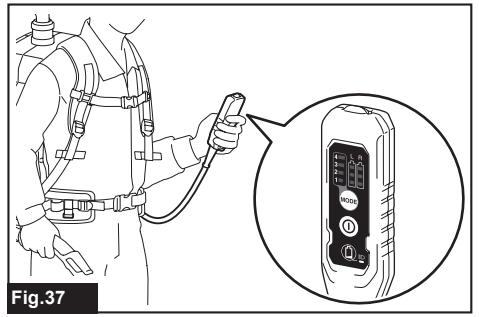


Fig.37

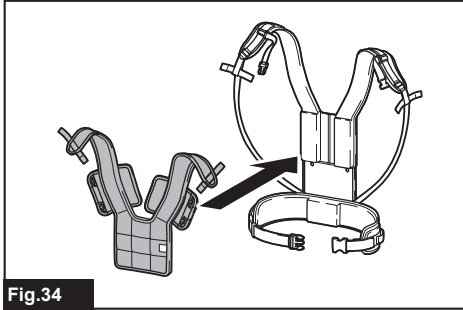


Fig.34

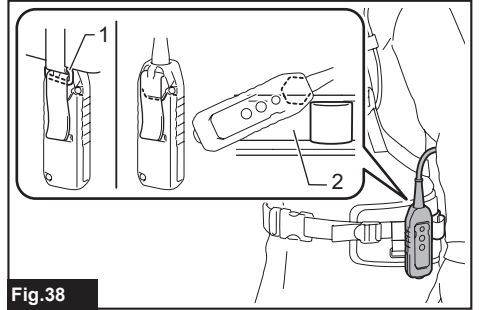


Fig.38

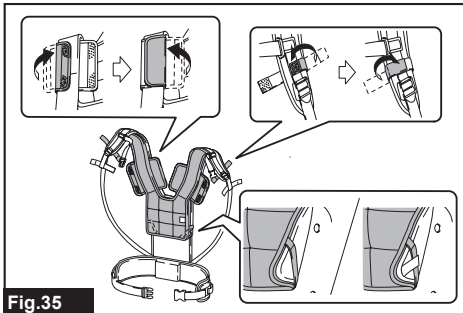


Fig.35

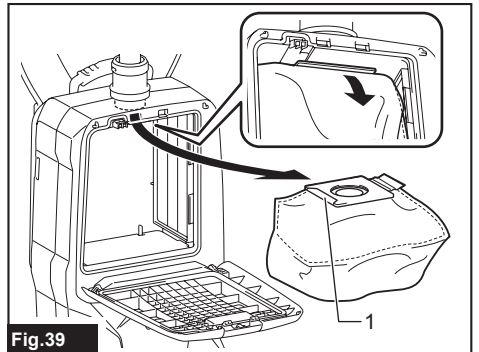


Fig.39

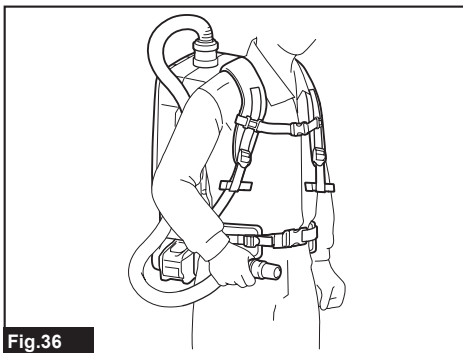


Fig.36

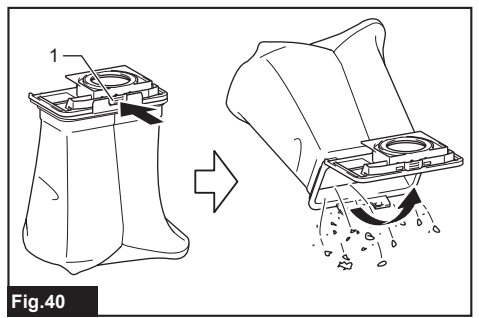


Fig.40

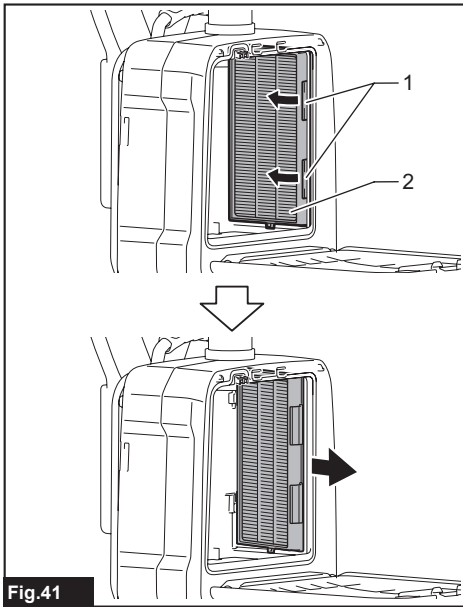


Fig.41

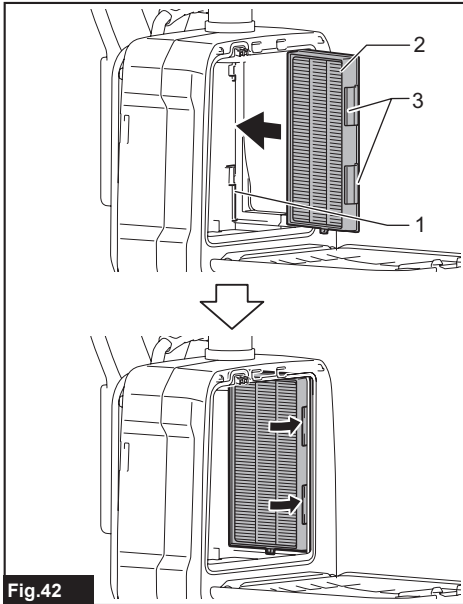


Fig.42

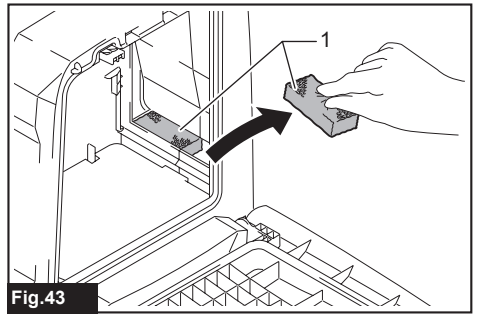


Fig.43

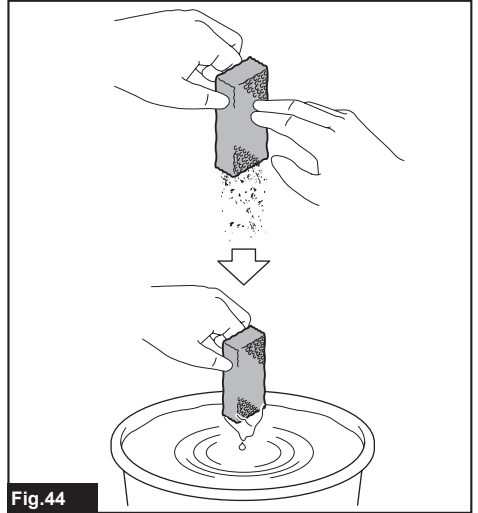


Fig.44

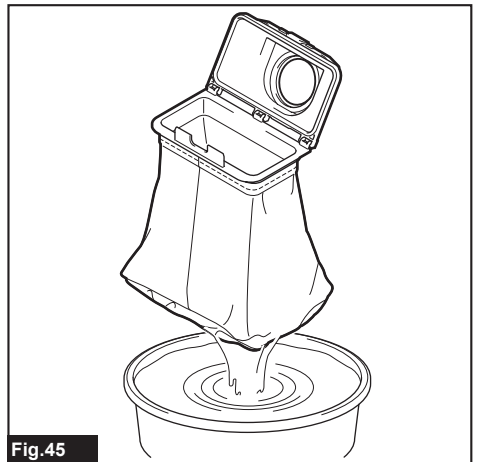


Fig.45



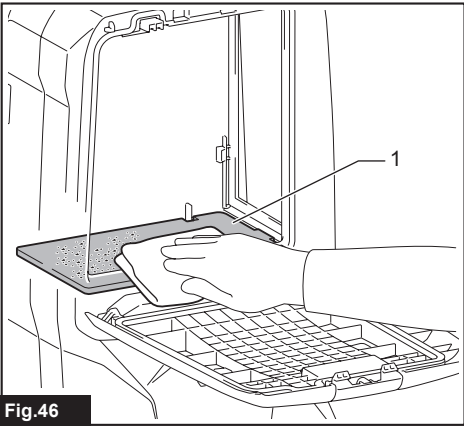


Fig.46

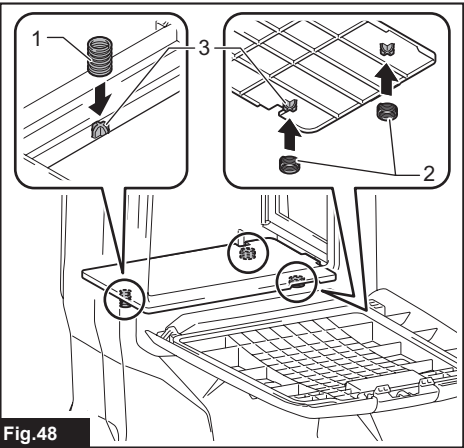


Fig.48

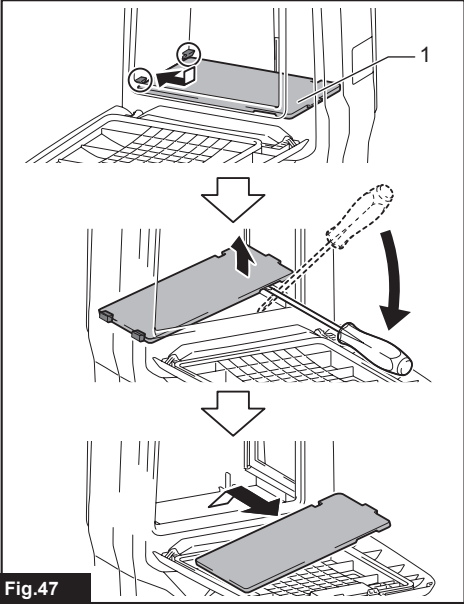


Fig.47

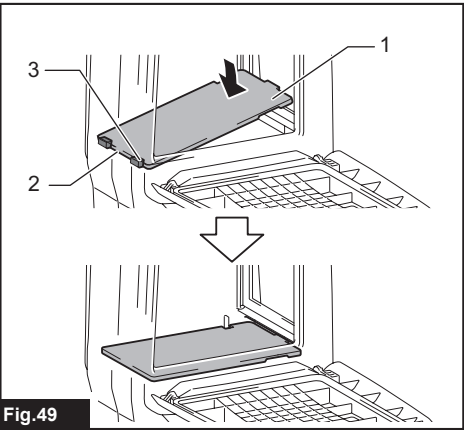


Fig.49

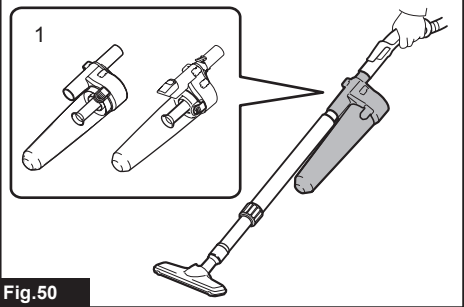
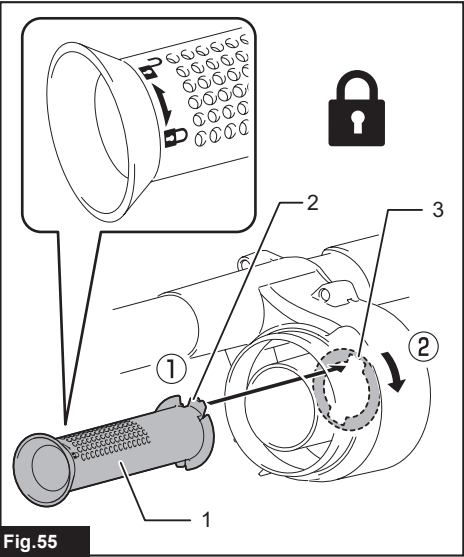
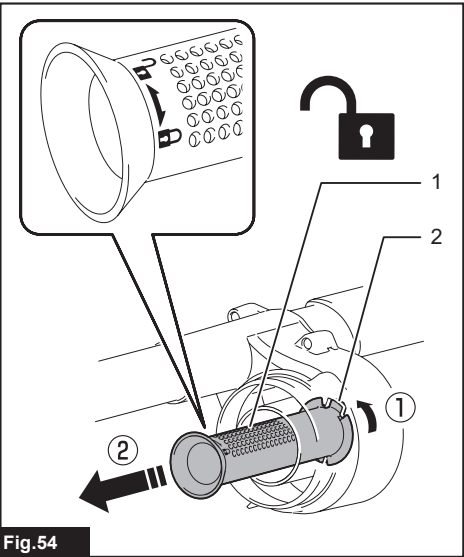
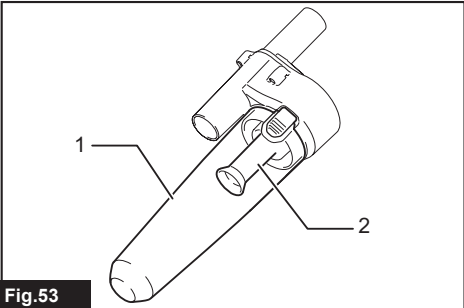
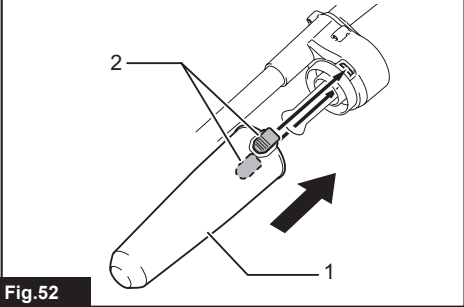
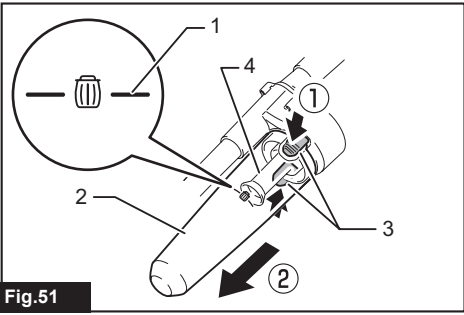


Fig.50



## WARNING

- This machine is not intended for use by persons including children with reduced physical, sensory or mental capabilities, or lack of experience and knowledge.
- Children should be supervised to ensure that they do not play with the cleaner.
- See the chapter "SPECIFICATIONS" for the type reference of the battery.
- See the section "Installing or removing battery cartridge" for how to remove or install the battery.
- When disposing the battery cartridge, remove it from the tool and dispose of it in a safe place. Follow your local regulations relating to disposal of battery.
- If the tool is not used for a long period of time, the battery must be removed from the tool.
- Do not short the battery cartridge.
- See the chapter "MAINTENANCE" for the appropriate details of precautions during user maintenance.

## SPECIFICATIONS

<b>Model:</b>		<b>VC011G</b>
Capacity	Filter bag	6.0 L
	Dust bag	5.5 L
Maximum air volume (With hose ø32 mm x 1.0 m)		2.4 m <sup>3</sup> /min
Vacuum		20 kPa
Dimensions (L x W x H) (excluding the harness, with BL4050F)		336 mm x 185 mm x 543 mm
Rated voltage		D.C. 36 V - 40 V max
Net weight		6.4 - 9.5 kg

- Due to our continuing program of research and development, the specifications herein are subject to change without notice.
- Specifications may differ from country to country.
- The weight does not include accessories but battery cartridge(s). The lightest and heaviest combination weight of the appliance and battery cartridge(s) are shown in the table.
- The length of supplied hose varies depending on the countries.

## Applicable battery cartridge and charger

Battery cartridge	BL4020 / BL4025 / BL4040 / BL4040F / BL4050F / BL4080F
Charger	DC40RA / DC40RB / DC40RC / DC40WA

- Some of the battery cartridges and chargers listed above may not be available depending on your region of residence.

**⚠ WARNING: Only use the battery cartridges and chargers listed above.** Use of any other battery cartridges and chargers may cause injury and/or fire.

**⚠ WARNING: Do not use a corded power supply such as battery adapter or portable power pack with this appliance.** The cable of such power supply may hinder the operation and result in personal injury.

## Symbols

The followings show the symbols which may be used for the equipment. Be sure that you understand their meaning before use.



Read instruction manual.



Take particular care and attention.



A representative battery applicable to this product.



Only for EU countries  
 Due to the presence of hazardous components in the equipment, waste electrical and electronic equipment, accumulators and batteries may have a negative impact on the environment and human health. Do not dispose of electrical and electronic appliances or batteries with household waste!  
 In accordance with the European Directive on waste electrical and electronic equipment and on accumulators and batteries and waste accumulators and batteries, as well as their adaptation to national law, waste electrical equipment, batteries and accumulators should be stored separately and delivered to a separate collection point for municipal waste, operating in accordance with the regulations on environmental protection.  
 This is indicated by the symbol of the crossed-out wheeled bin placed on the equipment.

**NOTE:** The declared vibration total value(s) has been measured in accordance with a standard test method and may be used for comparing one tool with another.  
**NOTE:** The declared vibration total value(s) may also be used in a preliminary assessment of exposure.

**⚠WARNING:** The vibration emission during actual use of the power tool can differ from the declared value(s) depending on the ways in which the tool is used especially what kind of workpiece is processed.  
**⚠WARNING:** Be sure to identify safety measures to protect the operator that are based on an estimation of exposure in the actual conditions of use (taking account of all parts of the operating cycle such as the times when the tool is switched off and when it is running idle in addition to the trigger time).

## Intended use

The appliance is intended for collecting dry dust. The appliance is suitable for commercial use, for example in hotels, schools, hospitals, factories, shops, offices and rental businesses.

## Declarations of Conformity

*For European countries only*  
 The Declarations of conformity are included in Annex A to this instruction manual.

## Noise

The typical A-weighted noise level determined according to EN60335-2-69:  
 Sound pressure level ( $L_{pA}$ ) : 70 dB(A) or less  
 Uncertainty (K) : 2.5 dB (A)

The noise level under working may exceed 80 dB (A).

**NOTE:** The declared noise emission value(s) has been measured in accordance with a standard test method and may be used for comparing one tool with another.  
**NOTE:** The declared noise emission value(s) may also be used in a preliminary assessment of exposure.

## SAFETY WARNINGS

### Cordless vacuum cleaner safety warnings

**⚠WARNING: IMPORTANT! READ CAREFULLY all safety warnings and all instructions BEFORE USE.** Failure to follow the warnings and instructions may result in electric shock, fire and/or serious injury.

**⚠WARNING:** Wear ear protection.  
**⚠WARNING:** The noise emission during actual use of the power tool can differ from the declared value(s) depending on the ways in which the tool is used especially what kind of workpiece is processed.  
**⚠WARNING:** Be sure to identify safety measures to protect the operator that are based on an estimation of exposure in the actual conditions of use (taking account of all parts of the operating cycle such as the times when the tool is switched off and when it is running idle in addition to the trigger time).

1. **Before use, make sure that this cleaner must be used by people who have been adequately instructed on the use of this cleaner.**
2. **Do not use the cleaner without the filter. Replace a damaged filter immediately.**
3. **Do not attempt to pick up flammable materials, fireworks, lighted cigarettes, hot ashes, hot metal chips, sharp materials such as razors, needles, broken glass or the like.**
4. **NEVER USE THE CLEANER IN THE VICINITY OF GASOLINE, GAS, PAINT, ADHESIVES OR OTHER HIGHLY EXPLOSIVE SUBSTANCES.** The switch emits sparks when turned ON and OFF. And so does the motor commutator during operation. A dangerous explosion may result.
5. **This cleaner is not suitable for picking up hazardous dust.**
6. **Never vacuum up toxic, carcinogenic, combustible or other hazardous materials such as asbestos, arsenic, barium, beryllium, lead, pesticides, or other health endangering materials.**
7. **Never use the cleaner outdoors in the rain.**
8. **For Finland, this machine is not to be used**

## Vibration

The vibration total value (tri-axial vector sum) determined according to EN60335-2-69:  
 Work mode: operation without load  
 Vibration emission ( $a_n$ ) : 2.5 m/s<sup>2</sup> or less  
 Uncertainty (K) : 1.5 m/s<sup>2</sup>

outdoors at low temperature.

9. Do not use close to heat sources (stoves, etc.).
10. Do not block cooling vents. These vents permit cooling of the motor. Blockage should be carefully avoided otherwise the motor will burn out from lack of ventilation.
11. Keep proper footing and balance at all times.
12. Do not fold, tug or step on the hose.
13. Stop the cleaner immediately if you notice poor performance or anything abnormal during operation.
14. **DISCONNECT THE BATTERIES.** When not in use, before servicing, and when changing accessories.
15. Clean and service the cleaner immediately after each use to keep it in tiptop operating condition.
16. **MAINTAIN THE CLEANER WITH CARE.** Keep the cleaner clean for better and safer performance. Follow instructions for changing accessories. Keep handles dry, clean, and free from oil and grease.
17. **CHECK DAMAGED PARTS.** Before further use of the cleaner, a guard or other part that is damaged should be carefully checked to determine that it will operate properly and perform its intended function. Check for alignment of moving parts, binding of moving parts, breakage of parts, mounting, and any other conditions that may affect its operation. A guard or other part that is damaged should be properly repaired or replaced by an authorized service center unless otherwise indicated elsewhere in this instruction manual. Have defective switches replaced by authorized service center. Don't use the cleaner if switch does not turn it on and off.
18. **REPLACEMENT PARTS.** When servicing, use only identical replacement parts.
19. When not in use, always store the cleaner indoors.
20. Be kind to your cleaner. Rough handling can cause breakage of even the most sturdily built cleaner.
21. Do not attempt to clean the exterior or interior with benzine, thinner or cleaning chemicals. Cracks and discoloration may be caused.
22. Do not use cleaner in an enclosed space where flammable, explosive or toxic vapors are given off by oil-based paint, paint-thinner, gasoline, some mothproofing substances, etc., or in areas where flammable dust is present.
23. Do not operate the cleaner while under the influence of drugs or alcohol.
24. As a basic rule of safety, use safety goggles or safety glasses with side shields.
25. Use a dust mask in dusty work conditions.
26. Never handle battery(ies) and cleaner with wet hands.
27. Use extreme caution when cleaning on stairs.
28. Do not use the cleaner as a stool or work bench. The machine may fall down and may result in personal injury.
29. Do not let familiarity gained from frequent use

of tools allow you to become complacent and ignore tool safety principles. A careless action can cause severe injury within a fraction of a second.

#### Battery tool use and care

1. **Recharge only with the charger specified by the manufacturer.** A charger that is suitable for one type of battery pack may create a risk of fire when used with another battery pack.
2. **Use power tools only with specifically designated battery packs.** Use of any other battery packs may create a risk of injury and fire.
3. **When battery pack is not in use, keep it away from other metal objects, like paper clips, coins, keys, nails, screws or other small metal objects, that can make a connection from one terminal to another.** Shorting the battery terminals together may cause burns or a fire.
4. **Under abusive conditions, liquid may be ejected from the battery; avoid contact. If contact accidentally occurs, flush with water. If liquid contacts eyes, additionally seek medical help.** Liquid ejected from the battery may cause irritation or burns.
5. **Do not use a battery pack or tool that is damaged or modified.** Damaged or modified batteries may exhibit unpredictable behaviour resulting in fire, explosion or risk of injury.
6. **Do not expose a battery pack or tool to fire or excessive temperature.** Exposure to fire or temperature above 130 °C may cause explosion.
7. **Follow all charging instructions and do not charge the battery pack or tool outside the temperature range specified in the instructions.** Charging improperly or at temperatures outside the specified range may damage the battery and increase the risk of fire.

#### Service

1. **Have your power tool serviced by a qualified repair person using only identical replacement parts.** This will ensure that the safety of the power tool is maintained.
2. **Never service damaged battery packs.** Service of battery packs should only be performed by the manufacturer or authorized service providers.
3. **Follow instruction for lubricating and changing accessories.**
4. **Keep handles dry, clean and free from oil and grease.**

### Important safety instructions for battery cartridge

1. **Before using battery cartridge, read all instructions and cautionary markings on (1) battery charger, (2) battery, and (3) product using battery.**
2. **Do not disassemble or tamper with the battery cartridge.** It may result in a fire, excessive heat, or explosion.
3. **If operating time has become excessively shorter, stop operating immediately. It may result in a risk of overheating, possible burns and even an explosion.**

4. **If electrolyte gets into your eyes, rinse them out with clear water and seek medical attention right away. It may result in loss of your eyesight.**
5. **Do not short the battery cartridge:**
  - (1) **Do not touch the terminals with any conductive material.**
  - (2) **Avoid storing battery cartridge in a container with other metal objects such as nails, coins, etc.**
  - (3) **Do not expose battery cartridge to water or rain.**

A battery short can cause a large current flow, overheating, possible burns and even a breakdown.

6. **Do not store and use the tool and battery cartridge in locations where the temperature may reach or exceed 50 °C (122 °F).**
7. **Do not incinerate the battery cartridge even if it is severely damaged or is completely worn out. The battery cartridge can explode in a fire.**
8. **Do not nail, cut, crush, throw, drop the battery cartridge, or hit against a hard object to the battery cartridge.** Such conduct may result in a fire, excessive heat, or explosion.
9. **Do not use a damaged battery.**
10. **The contained lithium-ion batteries are subject to the Dangerous Goods Legislation requirements.**

For commercial transports e.g. by third parties, forwarding agents, special requirement on packaging and labeling must be observed. For preparation of the item being shipped, consulting an expert for hazardous material is required. Please also observe possibly more detailed national regulations.

Tape or mask off open contacts and pack up the battery in such a manner that it cannot move around in the packaging.

11. **When disposing the battery cartridge, remove it from the tool and dispose of it in a safe place. Follow your local regulations relating to disposal of battery.**
12. **Use the batteries only with the products specified by Makita.** Installing the batteries to non-compliant products may result in a fire, excessive heat, explosion, or leak of electrolyte.
13. **If the tool is not used for a long period of time, the battery must be removed from the tool.**
14. **During and after use, the battery cartridge may take on heat which can cause burns or low temperature burns. Pay attention to the handling of hot battery cartridges.**
15. **Do not touch the terminal of the tool immediately after use as it may get hot enough to cause burns.**
16. **Do not allow chips, dust, or soil stuck into the terminals, holes, and grooves of the battery cartridge.** It may cause heating, catching fire, burst and malfunction of the tool or battery cartridge, resulting in burns or personal injury.
17. **Unless the tool supports the use near high-voltage electrical power lines, do not use the battery cartridge near high-voltage**

**electrical power lines.** It may result in a malfunction or breakdown of the tool or battery cartridge.

18. **Keep the battery away from children.**

## SAVE THESE INSTRUCTIONS.

**⚠ CAUTION:** Only use genuine Makita batteries. Use of non-genuine Makita batteries, or batteries that have been altered, may result in the battery bursting causing fires, personal injury and damage. It will also void the Makita warranty for the Makita tool and charger.

## Tips for maintaining maximum battery life

1. **Charge the battery cartridge before completely discharged. Always stop tool operation and charge the battery cartridge when you notice less tool power.**
2. **Never recharge a fully charged battery cartridge. Overcharging shortens the battery service life.**
3. **Charge the battery cartridge with room temperature at 10 °C - 40 °C (50 °F - 104 °F). Let a hot battery cartridge cool down before charging it.**
4. **When not using the battery cartridge, remove it from the tool or the charger.**
5. **Charge the battery cartridge if you do not use it for a long period (more than six months).**

## FUNCTIONAL DESCRIPTION

**⚠ CAUTION:** Always be sure that the appliance is switched off and the battery cartridges are removed before adjusting or checking function on the appliance.

## Installing or removing battery cartridge

**⚠ CAUTION:** Always switch off the appliance before installing or removing of the battery cartridge.

**⚠ CAUTION:** Hold the appliance and the battery cartridge firmly when installing or removing battery cartridge. Failure to hold the appliance and the battery cartridge firmly may cause them to slip off your hands and result in damage to the appliance and battery cartridge and a personal injury.

To install the battery cartridges, align the tongues on the battery cartridges with the grooves in the housing and slip them into place. Insert them all the way until they lock in place with a little click. If you can see the red indicators as shown in the figure, they are not locked completely.

To remove the battery cartridges, slide them out of the battery housing while pressing and holding the buttons

in front of the cartridges.

► **Fig.1:** 1. Red indicator 2. Button 3. Right battery cartridge 4. Left battery cartridge

**CAUTION:** Always install the battery cartridge fully until the red indicator cannot be seen. If not, it may accidentally fall out of the appliance, causing injury to you or someone around you.

**CAUTION:** Do not install the battery cartridge forcibly. If the cartridge does not slide in easily, it is not being inserted correctly.

The cleaner has double battery slots. You can choose with either double batteries or single battery according to your needs.

### With double batteries

Continuous drive with two batteries allows longer runtime and more efficient cleaning. When the first battery is becoming empty, the cleaner automatically switches a power source, so it continues working with the second battery.

**NOTE:** The right battery slot (when facing the front of the cleaner) has priority over the left battery slot. The left battery slot will only be identified as a power source, either when no battery is installed in the right battery slot or the battery in the right battery slot becomes empty.

**NOTE:** You can remove the battery from the right battery slot and recharge it after the cleaner has switched its power source from the right battery slot to the left without ceasing operation. To give priority back to the right battery slot after installing a recharged battery, restart the cleaner.

**NOTE:** When the cleaner switches the power source from the first battery to the second, it may require a temporary halt in operations, causing a slight loss of suction. This is not malfunction so the cleaner recovers and resumes operations immediately after the pause.

### With a single battery

Only one battery is required as a power source in either the right or left battery slot. The cleaner automatically determines which battery slot is available.

## Indicating the remaining battery capacity

Press the check button on the battery cartridge to indicate the remaining battery capacity. The indicator lamps light up for a few seconds.

► **Fig.2:** 1. Indicator lamps 2. Check button


Indicator lamps			Remaining capacity
Lighted	Off	Blinking	
	■ ■ ■ ■		75% to 100%
	■ ■ ■ □		50% to 75%
	■ ■ □ □		25% to 50%

Indicator lamps			Remaining capacity
Lighted	Off	Blinking	
■ □ □ □		▧	0% to 25%
▧ □ □ □			Charge the battery.
■ ■ □ □			The battery may have malfunctioned.
□ □ ■ ■			


**NOTE:** Depending on the conditions of use and the ambient temperature, the indication may differ slightly from the actual capacity.

**NOTE:** The first (far left) indicator lamp will blink when the battery protection system works.

## Indicating the remaining battery capacity on the switch box

The remaining battery capacity can be checked on the switch box. Press the  button to indicate the remaining battery capacities.



"L" and "R" on the switch box correspond to the left and right battery cartridges, respectively. Follow the indication when you replace the battery cartridge.

► **Fig.3:** 1. Battery indicator 2. Battery check / LED light button 

Battery indicator status			Remaining battery capacity
On	Off	Blinking	
	■ ■ ■ ■		50% to 100%
	■ ■ ■ ■		20% to 50%
	■ ■ ■ ■		0% to 20%
	■ ■ ■ ■		Charge the battery

## Appliance / battery protection system

The appliance is equipped with appliance / battery protection system. This system automatically cuts off power to the motor to extend appliance and battery life. In this situation, the battery indicator lights up as following table.

Battery indicator status			Status
On	Off	Blinking	
			Overload protection (battery) / Overheat protection (battery) / Overdischarge protection
			Overheat protection (appliance)

The appliance and the LED light will automatically stop during operation if the appliance or battery is placed under one of the following conditions:

## Overload protection

When the appliance / battery is operated in a manner that causes it to draw an abnormally high current, the appliance automatically stops. In this situation, turn the appliance off and stop the application that caused the appliance to become overloaded. Then turn the appliance on to restart.

## Overheat protection

When the appliance / battery is overheated, the appliance stops automatically. In this situation, let the appliance / battery cool down before turning the appliance on again.

## Overdischarge protection

When the battery capacity becomes low, the appliance stops automatically. If the product does not operate even when the switches are operated, remove the batteries from the appliance and charge the batteries.

## Protections against other causes

Protection system is also designed for other causes that could damage the appliance and allows the appliance to stop automatically. Take all the following steps to clear the causes, when the appliance has been brought to a temporary halt or stop in operation.

1. Turn the appliance off, and then turn it on again to restart.
2. Charge the battery(ies) or replace it/them with recharged battery(ies).
3. Let the appliance and battery(ies) cool down.

If no improvement can be found by restoring protection system, then contact your local Makita Service Center.

## Switch box position

The switch box can be hooked on either side of the lower belt. Arrange the cord so that the switch box comes to your desired side. To prevent the cord from being damaged, pass the cord through the groove as illustrated.

- **Fig.4:** 1. Groove 2. Cord

## Adjusting belts

The tightness of the shoulder belts, upper and lower belts can be adjusted. Put your arms through the shoulder belts first then fasten the lower and upper belts. To tighten, pull the end of the strap as illustrated. To loosen, pull up the end of the fastener.

### Lower belt

- **Fig.5:** 1. Strap 2. Fastener

### Shoulder belts

- **Fig.6:** 1. Strap 2. Fastener

### Upper belt



- **Fig.7:** 1. Strap 2. Fastener


## Carrying hook



Always grab the carrying hook when handling the vacuum cleaner body.

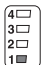



- **Fig.8:** 1. Carrying hook

## Switch action

To start the cleaner, simply press  button. To switch off, press  button again.

You can change the suction power of the cleaner in four steps by pressing  button. Each press on this button repeats the 1 to 4 mode in a cycle.

- **Fig.9:** 1. Suction power change button  2. ON/OFF button 



Level	Indication	Mode
1		Quiet mode
2		Normal speed mode
3		High speed mode
4		Max speed mode

**NOTE:** You can change the suction power before turning on the cleaner.

**NOTE:** The cleaner starts the operation with the same suction power as the last operation.

**NOTE:** If you remove the battery immediately after turning off the appliance, while the motor is rotating, the cleaner may not start the operation with the same suction power as the last operation.

## LED light

LED light is installed in the head of the switch box to ease the operations in dark places. Press and hold  button to turn the light on. To turn off, press and hold  button again.

- **Fig.10**



**CAUTION:** Do not look in the light or see the source of light directly. Never aim the light to other people's eyes.

**NOTE:** The LED light is automatically turned off when the vacuum cleaner is not operated for more than 10 minutes.

## Hose band

Hose band can be used for holding the hose or flexible rubber nozzle.

To secure the hose to the vacuum cleaner body, pass the hose band through the slot on the body. You can attach the hose band on either side.

► **Fig.11:** 1. Hose band 2. Slot 3. Hose

The loops on the lower belt can be used for carrying nozzles as illustrated.

► **Fig.12:** 1. Loop 2. Nozzle

## Hose hook

When you suspend the operation, the hook on the bent pipe assembly can be used for hanging the wand on the hanging part of the lower belt.

► **Fig.13:** 1. Hook 2. Lower belt 3. Hanging part

# ASSEMBLY

**CAUTION:** Always be sure that the appliance is switched off and the battery cartridge is removed before carrying out any work on the appliance.

## Assembling hose

Insert the hose cuff into the vacuum cleaner body and turn it clockwise.

► **Fig.14:** 1. Hose cuff 2. Vacuum cleaner body

## Using as a cleaner

### Attaching bent pipe assembly

#### Optional accessory

**NOTE:** You don't need to perform this procedure if your model comes with the bent pipe assembly attached to the hose.

**NOTE:** There are two types of bent pipe assembly; the one for slide-type extension wand and the one for ring-type extension wand. If you prepare the bent pipe assembly, choose the one for your desired extension wand type.

The bent pipe assembly is used for connecting the extension wand or nozzle for vacuum cleaning to this product.

If you want to use this product as the vacuum cleaner, attach the bent pipe assembly to the hose.

#### For the screw-in type bent pipe assembly

To attach, unscrew the front cuff from the hose and fasten the sleeve of bent pipe assembly onto the hose. To remove, loosen the sleeve of bent pipe assembly from the hose.

► **Fig.15:** 1. Hose 2. Bent pipe assembly 3. Sleeve

#### For the snap-on type bent pipe assembly

To attach, insert the hose end into the bent pipe assembly. Make sure that the tabs on the hose end snap into the holes on the bent pipe assembly.

To remove, pull the bent pipe assembly while pressing both of the tabs on the hose end.

► **Fig.16:** 1. Hose end 2. Tab 3. Hole 4. Bent pipe assembly

## Assembling nozzle and wand

#### Optional accessory

**NOTE:** The type of the nozzle and wand included in the product varies depending on countries. In some countries, the nozzle and wand are not included.

1. Twist and insert the nozzle to the extension wand.

► **Fig.17:** 1. Extension wand 2. Flexible rubber nozzle 3. Corner nozzle 4. T-shape nozzle

When using floor/carpet switching t-nozzle, you can change the mode depending on the place.

— Floor mode: suitable for a smooth place such as a hard floor

— Carpet mode: suitable for a shaggy place such as a carpet or a rug

► **Fig.18:** 1. Mode switching button 2. Floor mode 3. Carpet mode

**NOTE:** By twisting the nozzle while inserting, the nozzle can be attached to the extension wand securely.

**NOTE:** For the model with  $\varnothing 38$  mm hose and front cuff 38, attach the supplied nozzle to the aluminum bent pipe / aluminum straight pipe.

2. Follow the procedures below, depending on the type of the extension wand:

**NOTE:** The slide-type extension wand and the ring-type extension wand are not compatible with each other. If you want to change the slide-type extension wand to the ring-type extension wand or vice versa, change the bent pipe assembly also.

#### For the slide-type extension wand

Shoulder the vacuum cleaner body then insert the extension wand into the bent pipe assembly until it clicks. To disconnect, extract the extension wand with pressing the button.

► **Fig.19:** 1. Bent pipe assembly 2. Button 3. Slide-type extension wand 4. Flexible rubber nozzle

The length of the wand can be adjusted.

With pressing the slide button, adjust the wand length. The length is locked when releasing the slide button.

► **Fig.20:** 1. Slide button

#### For the ring-type extension wand

Shoulder the vacuum cleaner body then twist and insert the extension wand into the bent pipe assembly. To disconnect, twist and extract it.

► **Fig.21:** 1. Bent pipe assembly 2. Ring-type

### extension wand 3. Flexible rubber nozzle

**NOTE:** The flexible rubber nozzle can be attached to the bent pipe assembly without pipe lock directly.

The length of the wand can be adjusted. Loosen the ring on the wand and adjust the wand length. Tighten the ring at your desired length.

► **Fig.22:** 1. Ring

#### For the aluminum bent pipe / aluminum straight pipe

(Only for the model with  $\varnothing 38$  mm hose and front cuff 38) Shoulder the vacuum cleaner body then twist and insert the pipe into the front cuff. To disconnect, twist and extract it.

► **Fig.23:** 1. Front cuff 38 2. Aluminum bent pipe 3. Aluminum straight pipe 4. T-shape nozzle

#### For the two aluminum straight pipes

Shoulder the vacuum cleaner body then twist and insert the pipes. To disconnect, twist and extract it.

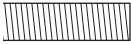


► **Fig.24:** 1. Bent pipe assembly 2. Aluminum straight pipe 1 3. Aluminum straight pipe 2



## Connecting the tool

**NOTE:** If the bent pipe assembly is attached to the hose, remove it beforehand.

To connect a tool to the cleaner, the dedicated hose and/or additional parts are required. Depending on your cleaner model, you need to replace the hose and/or prepare additional parts.

Refer to the following table for details.

Supplied hose diameter	Hose end type	Action
$\varnothing 28$ mm	 without part	Attach the front cuff.
	 with snap-on part	Replace the hose end (snap-on part) with the front cuff. The hose end can be removed by turning it counterclockwise.
$\varnothing 32$ mm	 with snap-on part	Replace the hose with the one for dust extraction ( $\varnothing 28$ mm, with front cuff).

Supplied hose diameter	Hose end type	Action
$\varnothing 38$ mm	 with snap-on part	Replace the hose with the one for dust extraction ( $\varnothing 28$ mm, with front cuff).
	 with front cuff 38	Attach the joint 22-38 or the front cuff 24.

**NOTE:** Always use a suitable front cuff. When using the front cuff 24, attach it to the front cuff 22 that is connected to the hose.

► **Fig.25:** 1. Front cuff 22 2. Front cuff 24

## When using $\varnothing 28$ mm dust extraction hose

1. Attach the front cuff to the hose for dust extraction. When connecting the front cuff, make sure that it is securely screwed on the hose.

2. Connect the front cuff to the tool's extraction outlet.

► **Fig.26:** 1. Front cuff 2. Extraction outlet 3. Hose

The front cuff can be detached by turning it counterclockwise while holding the hose.

## When using $\varnothing 38$ mm hose with front cuff 38

1. Twist and insert the joint or the front cuff to the inlet part on the hose, depending on the tool that you are going to connect.

2. Connect the front cuff to the tool's extraction outlet.

► **Fig.27:** 1. Joint 2. Front cuff 3. Extraction outlet 4. Hose

To remove the joint and the front cuff, follow the installation procedures in reverse.

## Installing filter bag / dust bag

### Optional accessory

**CAUTION:** Do not use a damaged filter bag. Always use the vacuum cleaner with the filter bag properly installed. Otherwise the vacuumed dust or particles may be exhausted from the cleaner and they may cause respiratory disease to the operator.

Install either dust bag or filter bag before using cleaner.

- Dust bag is usable many times repeatedly by cleaning it out.
- Filter bag is a throw-away type. Throw away the

entire filter bag without emptying when it has become full.

**NOTICE:** When the filter bag is already full, replace with new one. When the dust bag is already full, empty it. Continuous use with the filter bag/dust bag full results in reduced suction power.

**NOTICE:** To prevent dust from getting into the motor:

- Make sure that the filter bag/dust bag is installed before use.
- Do not use a broken or ripped bag.

Otherwise the motor may be broken.

**NOTICE:** Do not fold the cardboard at its opening when installing the filter bag/dust bag.

**NOTICE:** The filter bag/dust bag for the cleaner is an important component for maintaining the appliance performance. Using non-genuine filter bag/dust bag may cause smoke or ignition.

**NOTE:** When the filter bag/dust bag is not installed in the cleaner, the front cover does not close completely.

#### ► Fig.28

1. Unlock the lever and open the front cover.  
► Fig.29: 1. Lever 2. Front cover
2. Insert the filter bag into the slit on the upper side of the room as illustrated.  
► Fig.30: 1. Slit 2. Filter bag

When using the dust bag, insert the brim of the dust bag into the slit.

#### ► Fig.31: 1. Slit 2. Brim 3. Dust bag

3. Align the hole of the filter bag with the hose cuff and push the cardboard portion to the end. Make sure that the rubber ring on the filter bag goes over the rim on the hose cuff.  
► Fig.32: 1. Rubber ring on the filter bag 2. Rim on the hose cuff 3. Cardboard portion of the filter bag 4. Hose cuff
4. Lock the front cover certainly.

**CAUTION:** Be careful not to pinch your fingers when hooking the latch, and when closing the front cover.

## Harness cover

### Optional accessory

When using the harness cover, follow the procedure below to attach it.

**NOTE:** When installing the harness cover, do not mistake the front and back of the harness cover.

**NOTE:** The harness cover is washable. Follow the washing instructions on the tag.

#### ► Fig.33

1. Spread the harness cover on the harness.  
► Fig.34
2. Secure the harness shoulder straps with the hook and loop fasteners of the harness cover. Hook the band of the harness cover on the harness.

#### ► Fig.35




## OPERATION

**WARNING:** Operators shall be adequately instructed on the use of the vacuum cleaner.

**WARNING:** This vacuum cleaner is not suitable for picking up hazardous dust.

**CAUTION:** This cleaner is for dry use only.

**CAUTION:** During operation, be conscious of the vacuum cleaner on your back. You may lose your balance if the vacuum cleaner body bumps against a wall or the hose is hooked by an obstacle.

1. Should the vacuum cleaner body and fasten upper and lower belts. Adjust the tightness as necessary.  
► Fig.36
2. Press  button to start vacuuming. If you want to change the suction power, press  button until the desired suction power is selected. Press  button to stop.  
► Fig.37

During the operation, hook the switch box on the D-ring or the hanging part of the lower belt. The hook can be slanted for lighting forward when hooked on the hanging part.

#### ► Fig.38: 1. D-ring 2. Hanging part

3. Replace the filter bag when it becomes full. Open the front cover and take out the filter bag. Pull the strip on the side of the opening to shut the filter bag and dispose of the filter bag in whole.  
► Fig.39: 1. Strip

When using a dust bag, take out the dust bag and dispose of the dust by releasing the latch.

#### ► Fig.40: 1. Latch

**NOTICE:** Do not put filter bag/dust bag or other heavy objects on the front cover. The appliance may fall down.

**NOTICE:** Periodically check the filter bag whether the filter is full or not. Continuous use with the filter bag full results in reduced suction power.

**NOTICE:** Do not use a used filter bag. The filter bag is designed for single use. Using filter bag repeatedly may cause clogging of the filter and results in damage to the cleaner. If you want to use the bag repeatedly, use a dust bag.

# MAINTENANCE

**⚠ CAUTION:** Always be sure that the appliance is switched off and the battery cartridge is removed before attempting to perform inspection or maintenance.

**NOTICE:** Never use gasoline, benzene, thinner, alcohol or the like. Discoloration, deformation or cracks may result.

To maintain product SAFETY and RELIABILITY, repairs, any other maintenance or adjustment should be performed by Makita Authorized or Factory Service Centers, always using Makita replacement parts.

## Cleaning the HEPA filter

**⚠ CAUTION:** Do not use the vacuum cleaner without a filter or continue to use dirty or damaged filter. Vacuumed dust or particles may be exhausted from the cleaner and they may cause respiratory disease to the operator.

**NOTICE:** To keep optimum suction power and clean exhaust, clean the filter periodically. If enough suction power is not obtained even after the cleaning, replace the filter with new one.

**NOTICE:** To prevent the filter from being damaged, do not use following tools and similar items for cleaning:

- Air duster
- High pressure washer
- Tools made of hard materials such as a wire brush

1. Open the front cover and take out the filter bag/dust bag. Release the hook on the filter and remove it from the vacuum cleaner body.

▶ Fig.41: 1. Hook 2. HEPA filter

2. Beat the dust off from the filter. The filter can be washed with water. Rinse away the dust and particles on the filter every 1 or 2 month. After that, dry the filter completely in a shaded and well-ventilated place to prevent unpleasant odor or malfunctions.

3. To install the filter, insert the side without the hooks into the groove then push in the filter until the hooks are secured with a click.

▶ Fig.42: 1. Groove 2. HEPA filter 3. Hook

## Cleaning the sponge filter

**⚠ CAUTION:** After cleaning the sponge filters, be sure to install them to the vacuum cleaner. If washed in water, dry them up thoroughly before installing. Insufficiently dried sponge filters may shorten the service life of the motor.

Sponge filters underneath the HEPA filter prevent dust from getting into the motor.

1. Remove the sponge filters from the vacuum cleaner.

▶ Fig.43: 1. Sponge filter

2. Wipe and shake dust off the sponge filters by hand. When the sponge filters are clogged, wash them in soapy water.

▶ Fig.44

3. Install the sponge filters in their original position.

## Cleaning the dust bag

Regularly clean the dust bag with soap and water. Turn the dust bag inside out and remove the sticky dust. Wash lightly by hand and rinse well with water. Dry completely before installing to the vacuum cleaner.

▶ Fig.45

**NOTICE:** Wet dust bag lowers the vacuuming performance as well as the life of the motor.

## Cleaning the clog

When cleaning the clog, remove the hose or the extension wand, or the bent pipe assembly to check inside. Refer to the section for attaching bent pipe assembly.

## Cleaning the room for filter bag/dust bag

This appliance is equipped with a dust beating system. As you walk while carrying the cleaner, springs underneath the board vibrate the board and shake the dust off the filter bag/dust bag.

When cleaning the room for filter bag/dust bag, remove and wipe the board inside.

▶ Fig.46: 1. Board

## Removing the board

1. Remove the HEPA filter. Refer to the section for cleaning the HEPA filter for how to remove.

2. Push down the board, and slide it to left until the board touches the wall.

3. Lift the right side of the board up and take it out.

▶ Fig.47: 1. Board

The board is supported by three springs.

If the springs came off from the projections, reattach them as illustrated.

▶ Fig.48: 1. Long spring 2. Short spring 3. Projection

**NOTE:** Attach the springs securely so that the springs touch the root of the projections.

## Attaching the board

1. Insert the straight side of the board into the catches in the lower left side of the room.

2. Put the right side of the board in place.

▶ Fig.49: 1. Board 2. Straight side 3. Catch

# CYCLONE ATTACHMENT

## Optional accessory

**NOTE:** When using the cyclone attachment with this appliance, the bent pipe is also required.

► **Fig.50:** 1. Cyclone attachment

## About the cyclone attachment

Using the cleaner with the cyclone attachment installed reduces the amount of dust that enters the dust bag, which helps to prevent the suction force from weakening. In addition, cleaning after use is also simple.

**⚠ CAUTION:** Always be sure that the tool is switched off and the battery cartridge is removed before carrying out any work on the tool. If the battery cartridge is left inserted, the cleaner may start unexpectedly and result in injury.

**⚠ CAUTION:** Clean the mesh filter of the cyclone attachment and the dust bag of the cleaner unit when they become clogged. Continued use in the clogged condition may result in heating or smoke.

**NOTICE:** When the cyclone attachment is attached, do not use the cyclone attachment in the horizontal or upward facing condition. Doing so may cause the mesh filter to become clogged.

**NOTICE:** Always use the cleaner with the dust bag installed, even when using the cyclone attachment. Using the cleaner without the dust bag installed may result in a motor malfunction.

**NOTE:** Check that the cyclone attachment, cleaner, and straight pipe are locked properly before use.

**NOTE:** Empty the dust case of the cyclone attachment and the dust bag of the cleaner when dust has accumulated. Continued use will result in weakened suction force.

**NOTE:** You can use the cyclone attachment with or without lock function.

**NOTE:** To install or remove the cyclone attachment, refer to the section "Using as a cleaner".

## Disposing of dust

When dust has accumulated up to the full line of the dust case, follow the procedure below and dispose of the dust.

1. Hold the dust case firmly, press and hold the two buttons, and remove the dust case.

► **Fig.51:** 1. Full line 2. Dust case 3. Button (two locations) 4. Mesh filter

2. Dispose of the dust inside the dust case and remove any dust and powder adhered to the surface of the mesh filter.

3. Insert the dust case all the way until the two buttons lock with a click.

► **Fig.52:** 1. Dust case 2. Button (two locations)

**NOTE:** Check that the cyclone attachment, cleaner, and straight pipe are locked properly before restarting operation.

**NOTE:** If the suction force does not recover even after disposing of the dust and cleaning the mesh filter, check whether dust has accumulated in the dust bag of the cleaner or clogging has occurred.

## Cleaning

When the dust case becomes dirty or the mesh filter is clogged, remove and wash them with water. (Refer to "Disposing of dust" for the removal procedure.)

Dry the parts thoroughly before reinstallation and use.

► **Fig.53:** 1. Dust case 2. Mesh filter

When the mesh filter gets dirty badly, clean it in the following procedures.

1. Turn the mesh filter counterclockwise and remove it while the hooks are unlocked.

► **Fig.54:** 1. Mesh filter 2. Hook

2. Remove the dust on the mesh filter and then wash it with water. After that, dry it thoroughly.

3. Insert the mesh filter into the base while the hooks are aligned with the ports. Turn the mesh filter clockwise until the hooks are locked with a click. Make sure that the mesh filter is installed securely.

► **Fig.55:** 1. Mesh filter 2. Hook 3. Port

# OPTIONAL ACCESSORIES

**⚠ CAUTION:** These accessories or attachments are recommended for use with your Makita product specified in this manual. The use of any other accessories or attachments might present a risk of injury to persons. Only use accessory or attachment for its stated purpose.

Some accessories may not be installed according to the combination of parts.

If you need any assistance for more details regarding these accessories, ask your local Makita Service Center.

- Hose (for vacuum cleaner type)
- Hose (for dust extraction type)
- Extension wand
- Flexible rubber nozzle
- T-shape nozzle
- Seat nozzle
- Corner nozzle
- Shelf brush
- Round brush
- Bent pipe assembly
- Filter bag
- Dust bag
- Front cuff
- HEPA filter

- Pipe
- Harness cover
- Cyclone attachment
- Makita genuine battery and charger

**NOTE:** Some items in the list may be included in the tool package as standard accessories. They may differ from country to country.

## AVERTISSEMENT

- Cette machine n'est pas destinée à être utilisée par des personnes (y compris les enfants) aux facultés physiques, sensorielles ou mentales diminuées ou sans expérience ni expertise.
- Les enfants doivent être sous la surveillance d'un adulte afin de s'assurer qu'ils ne jouent pas avec l'aspirateur.
- Voir le chapitre « SPÉCIFICATIONS » pour la désignation de la batterie.
- Voir la section « Insertion ou retrait de la batterie » pour la méthode de retrait ou d'insertion de la batterie.
- Une fois la batterie arrivée en fin de vie, retirez-la de l'outil et déposez-la en lieu sûr. Respectez la réglementation locale en matière de mise au rebut des batteries.
- Lorsque vous n'utilisez pas l'outil pendant une période prolongée, la batterie doit être retirée de l'outil.
- Ne court-circuitez pas la batterie.
- Voir le chapitre « ENTRETIEN » pour des précautions détaillées pendant l'entretien à la charge de l'utilisateur.

## SPÉCIFICATIONS

Modèle :		VC011G
Capacité	Sac-filtre	6,0 L
	Sac à poussière	5,5 L
Volume d'air maximum (Avec un tuyau de $\varnothing 32$ mm x 1,0 m)		2,4 m <sup>3</sup> /min
Vide		20 kPa
Dimensions (L x P x H) (sans le harnais, avec BL4050F)		336 mm x 185 mm x 543 mm
Tension nominale		36 V - 40 V c.c. max.
Poids net		6,4 - 9,5 kg

- Étant donné l'évolution constante de notre programme de recherche et de développement, les spécifications contenues dans ce manuel sont sujettes à modification sans préavis.
- Les spécifications peuvent varier suivant les pays.
- Le poids ne comprend pas les accessoires, mais la ou les batteries. Le poids combiné le plus léger et le plus lourd de l'appareil et de la ou des batteries est indiqué dans le tableau.
- La longueur du tuyau fourni est différente selon les pays.

## Batterie et chargeur applicables

Batterie	BL4020 / BL4025 / BL4040 / BL4040F / BL4050F / BL4080F
Chargeur	DC40RA / DC40RB / DC40RC / DC40WA

- Certains chargeurs et batteries répertoriés ci-dessus peuvent ne pas être disponibles selon la région où vous résidez.

**⚠ AVERTISSEMENT : N'utilisez que les batteries et les chargeurs répertoriés ci-dessus.** L'utilisation d'autres batteries et chargeurs peut provoquer des blessures et/ou un incendie.

**⚠ AVERTISSEMENT : N'utilisez pas de source d'alimentation câblée comme un adaptateur de batterie ou un support d'alimentation portable avec cet appareil.** Le câble de ce type de source d'alimentation pourrait gêner le fonctionnement et provoquer des blessures corporelles.

## Symboles

Vous trouverez ci-dessous les symboles susceptibles d'être utilisés pour l'appareil. Veuillez à comprendre leur signification avant toute utilisation.



Lire le mode d'emploi.



Veillez être prudent et rester attentif.



Représentation d'une batterie utilisable avec ce produit.



Pour les pays de l'Union européenne uniquement

En raison de la présence de composants dangereux dans l'équipement, les déchets d'équipements électriques et électroniques, les accumulateurs et les batteries peuvent avoir un impact négatif sur l'environnement et la santé humaine.

Ne jetez pas les appareils électriques et électroniques ou les batteries avec les ordures ménagères !  
Conformément à la directive européenne relative aux déchets d'équipements électriques et électroniques et aux déchets d'accumulateurs et de batteries, ainsi qu'à son adaptation à la législation nationale, les déchets d'équipements électriques, les batteries et les accumulateurs doivent être collectés séparément et déposés dans un point de collecte distinct pour déchets urbains, conformément aux réglementations en matière de protection de l'environnement.

Cela est indiqué par le symbole de la poubelle à roulettes barrée sur l'équipement.

## Utilisations

L'appareil est conçu pour la collecte des poussières sèches. L'appareil est prévu pour un usage commercial, par exemple, dans les hôtels, écoles, hôpitaux, usines, magasins, bureaux et agences de location.

## Bruit

Niveau de bruit pondéré A typique, déterminé selon EN60335-2-69 :

Niveau de pression sonore ( $L_{pA}$ ) : 70 dB (A) ou moins  
Incertitude (K) : 2,5 dB (A)

Le niveau de bruit en fonctionnement peut dépasser 80 dB (A).

**NOTE** : La ou les valeurs d'émission de bruit déclarées ont été mesurées conformément à la méthode de test standard et peuvent être utilisées pour comparer les outils entre eux.

**NOTE** : La ou les valeurs d'émission de bruit déclarées peuvent aussi être utilisées pour l'évaluation préliminaire de l'exposition.

**⚠️ AVERTISSEMENT** : Portez un serre-tête antibruit.

**⚠️ AVERTISSEMENT** : L'émission de bruit lors de l'usage réel de l'outil électrique peut être différente de la ou des valeurs déclarées, suivant la façon dont l'outil est utilisé, particulièrement selon le type de pièce usinée.

**⚠️ AVERTISSEMENT** : Les mesures de sécurité à prendre pour protéger l'utilisateur doivent être basées sur une estimation de l'exposition dans des conditions réelles d'utilisation (en tenant compte de toutes les composantes du cycle d'utilisation, comme par exemple le moment de sa mise hors tension, lorsqu'il tourne à vide et le moment de son déclenchement).

## Vibrations

Valeur totale de vibrations (somme de vecteur triaxial) déterminée selon EN60335-2-69 :

Mode de travail : fonctionnement à vide

Émission de vibrations ( $a_h$ ) : 2,5 m/s<sup>2</sup> ou moins

Incertitude (K) : 1,5 m/s<sup>2</sup>

**NOTE** : La ou les valeurs de vibration totales déclarées ont été mesurées conformément à la méthode de test standard et peuvent être utilisées pour comparer les outils entre eux.

**NOTE** : La ou les valeurs de vibration totales déclarées peuvent aussi être utilisées pour l'évaluation préliminaire de l'exposition.

**⚠️ AVERTISSEMENT** : L'émission de vibrations lors de l'usage réel de l'outil électrique peut être différente de la ou des valeurs déclarées, suivant la façon dont l'outil est utilisé, particulièrement selon le type de pièce usinée.

**⚠️ AVERTISSEMENT** : Les mesures de sécurité à prendre pour protéger l'utilisateur doivent être basées sur une estimation de l'exposition dans des conditions réelles d'utilisation (en tenant compte de toutes les composantes du cycle d'utilisation, comme par exemple le moment de sa mise hors tension, lorsqu'il tourne à vide et le moment de son déclenchement).

## Déclarations de conformité

*Pour les pays européens uniquement*

Les déclarations de conformité sont fournies en Annexe A à ce mode d'emploi.

## CONSIGNES DE SÉCURITÉ

### Consignes de sécurité pour aspirateur sans fil

**⚠️ AVERTISSEMENT** : IMPORTANT ! LIRE ATTENTIVEMENT toutes les consignes de sécurité et toutes les instructions AVANT UTILISATION. Le non-respect des avertissements et des instructions peut entraîner une électrocution, un incendie et/ou de graves blessures.

1. Avant l'utilisation, veillez à ce que l'aspirateur soit utilisé par des personnes ayant reçu des instructions adéquates quant à son utilisation.
2. N'utilisez pas l'aspirateur sans le filtre. Remplacez immédiatement le filtre s'il est endommagé.
3. N'essayez pas d'aspirer des matériaux inflammables, du matériel pyrotechnique, des cigarettes allumées, des cendres chaudes, des copeaux de métal chauds, des matériaux tranchants comme un rasoir, des aiguilles, des morceaux de verre, etc.



4. **N'UTILISEZ JAMAIS L'ASPIRATEUR À PROXIMITÉ D'ESSENCE, GAZ, PEINTURE, ADHÉSIFS OU AUTRES SUBSTANCES TRÈS EXPLOSIVES.** L'interrupteur émet des étincelles à la mise sous et hors tension. Tout comme le commutateur du moteur pendant le fonctionnement. Une dangereuse explosion peut survenir.
  5. **Cet aspirateur ne convient pas pour aspirer des poussières dangereuses.**
  6. **N'aspirez jamais des matériaux toxiques, cancérogènes, combustibles ou d'autres produits dangereux** comme l'amiante, l'arsenic, le baryum, le béryllium, le plomb, les pesticides ou d'autres matières présentant un danger pour la santé.
  7. **N'utilisez jamais l'aspirateur à l'extérieur sous la pluie.**
  8. **Pour la Finlande, cette machine ne doit pas être utilisée à l'extérieur à basse température.**
  9. **N'utilisez pas l'aspirateur près de sources de chaleur** (cuisinières, etc.).
  10. **Ne bloquez pas les fentes d'aération.** Ces fentes permettent le refroidissement du moteur. Il faut éviter soigneusement de les bloquer sous peine de griller le moteur en raison d'un manque d'aération.
  11. **Maintenez constamment une bonne assise et un bon équilibre.**
  12. **Ne pliez pas le tuyau, ni ne tirez ou marchez dessus.**
  13. **Arrêtez immédiatement l'aspirateur si vous remarquez des performances médiocres ou toute autre anomalie pendant le fonctionnement.**
  14. **DÉBRANCHEZ LES BATTERIES.** Lorsque vous n'utilisez pas l'aspirateur, avant de le réparer et lors du remplacement des accessoires.
  15. **Procédez au nettoyage et à l'entretien de l'aspirateur immédiatement après chaque utilisation pour le maintenir dans des conditions de fonctionnement optimales.**
  16. **ENTRETIENEZ SOIGNEUSEMENT L'ASPIRATEUR.** L'aspirateur doit toujours être propre pour améliorer la sécurité et les performances. Suivez les instructions pour remplacer les accessoires. Les poignées doivent toujours être sèches, propres et exemptes d'huile ou de graisse.
  17. **VÉRIFIEZ LES PIÈCES ENDOMMAGÉES.** Avant toute nouvelle utilisation de l'aspirateur, vérifiez soigneusement un carter de protection ou toute autre pièce endommagée pour déterminer qu'ils fonctionnent bien et remplissent leurs fonctions respectives. Vérifiez l'alignement des pièces mobiles, le blocage des pièces mobiles, les pièces cassées, l'installation et tout autre état susceptible d'affecter le fonctionnement. Un carter de protection ou toute autre pièce endommagée doivent être réparés ou remplacés correctement par un centre de service après-vente agréé sauf indication contraire de ce mode d'emploi. Confiez le remplacement des interrupteurs défectueux à un centre de service après-vente agréé. N'utilisez pas l'aspirateur s'il ne peut pas être mis sous et hors tension au moyen de l'interrupteur.
  18. **PIÈCES DE RECHANGE.** En cas de réparation, utilisez uniquement des pièces de rechange identiques.
  19. **Lorsqu'il n'est pas utilisé, rangez toujours l'aspirateur à l'intérieur.**
  20. **Épargnez votre aspirateur.** Une manipulation brutale peut entraîner la rupture de l'aspirateur le plus robuste.
  21. **Ne nettoyez pas l'extérieur ou l'intérieur avec du benzène, du diluant ou d'autres produits chimiques de nettoyage.** Vous risqueriez de le fissurer ou de le décolorer.
  22. **N'utilisez pas l'aspirateur dans un endroit fermé où des vapeurs inflammables, explosives ou toxiques sont dégagées par de la peinture à base d'huile, du diluant pour peinture, de l'essence, certains produits antimites, etc., ou dans des endroits exposés à des poussières inflammables.**
  23. **N'utilisez pas l'aspirateur sous l'influence de drogues, de médicaments ou d'alcool.**
  24. **Par mesure de sécurité, utilisez des lunettes à coques ou des lunettes de sécurité avec écrans latéraux.**
  25. **Utilisez un masque anti-poussière dans des conditions de travail poussiéreuses.**
  26. **Ne manipulez jamais la ou les batteries et l'aspirateur avec les mains mouillées.**
  27. **Redoublez de précaution lorsque vous nettoyez des escaliers.**
  28. **N'utilisez pas l'aspirateur comme marchepied ou établi.** La machine pourrait tomber et provoquer des blessures corporelles.
  29. **Ne vous laissez pas tromper au fil d'une utilisation fréquente par un sentiment de familiarité vous faisant baisser la garde et ignorer les principes de sécurité de l'outil.** Des actions imprudentes peuvent provoquer de graves blessures en une fraction de seconde.
- Utilisation et entretien des outils fonctionnant sur batterie**
1. **Rechargez la batterie uniquement avec le chargeur spécifié par le fabricant.** Un chargeur qui est adapté à un type spécifique de batterie peut présenter un risque d'incendie s'il est utilisé avec un autre type de batterie.
  2. **Utilisez un outil électrique uniquement avec la batterie spécifiquement indiquée.** L'utilisation de toute autre batterie peut présenter un risque de blessure et d'incendie.
  3. **Lorsque vous n'utilisez pas la batterie, tenez-la à l'écart des objets métalliques, comme des trombones, pièces de monnaie, clés, clous, vis ou autres petits objets métalliques, susceptibles de créer une connexion entre deux bornes.** Court-circuiter les bornes d'une batterie entre elles peut provoquer des brûlures ou un incendie.
  4. **Dans des conditions d'utilisation inadéquate, il peut y avoir une fuite de l'électrolyte de la batterie. Le cas échéant, évitez tout contact**

avec ce liquide. En cas de contact accidentel, rincez à l'eau. Si le liquide pénètre dans les yeux, consultez par ailleurs un médecin. Le liquide s'échappant de la batterie peut provoquer une irritation ou des brûlures.

5. **N'utilisez pas une batterie ou un outil s'ils sont endommagés ou modifiés.** Une batterie endommagée ou modifiée peut avoir un comportement imprévisible susceptible d'entraîner un incendie, une explosion ou des blessures.
6. **N'exposez pas la batterie ou l'outil au feu ou à une température excessive.** L'exposition au feu ou à une température supérieure à 130 °C peut provoquer une explosion.
7. **Respectez toutes les instructions de charge et ne chargez pas la batterie ou l'outil en dehors de la plage de température indiquée dans les instructions.** Une charge incorrecte ou à une température en dehors de la plage indiquée peut endommager la batterie et augmenter le risque d'incendie.

#### Dépannage

1. **Confiez la réparation de votre outil électrique à un réparateur qualifié qui utilise des pièces de rechange identiques.** La sécurité de l'outil électrique sera ainsi préservée.
2. **Ne dépannez jamais les batteries endommagées.** Le dépannage des batteries doit être effectué uniquement par le fabricant ou un dépanneur agréé.
3. **Suivez les instructions pour la lubrification et le remplacement des accessoires.**
4. **Gardez toutes les poignées sèches, propres et sans trace d'huile ou de graisse.**

### Consignes de sécurité importantes pour la batterie

1. **Avant d'utiliser la batterie, lisez toutes les instructions et précautions relatives (1) au chargeur de batterie, (2) à la batterie, et (3) au produit utilisant la batterie.**
2. **Ne désassemblez pas et ne modifiez pas la batterie.** Cela pourrait entraîner un incendie, une chaleur excessive ou une explosion.
3. **Cessez immédiatement l'utilisation si le temps de fonctionnement devient excessivement court. Il y a risque de surchauffe, de brûlures, voire d'explosion.**
4. **Si l'électrolyte pénètre dans vos yeux, rincez-les à l'eau claire et consultez immédiatement un médecin. Il y a risque de perte de la vue.**
5. **Ne court-circuitez pas la batterie :**
  - (1) **Ne touchez pas les bornes avec aucun matériau conducteur.**
  - (2) **Évitez de ranger la batterie dans un conteneur avec d'autres objets métalliques, par exemple des clous, des pièces de monnaie, etc.**
  - (3) **N'exposez pas la batterie à l'eau ou à la pluie.**

Un court-circuit de la batterie peut provoquer une intensité de courant élevée, une

surchauffe, parfois des brûlures et même une panne.

6. **Ne rangez ni n'utilisez l'outil et la batterie dans un endroit où la température risque d'atteindre ou de dépasser 50 °C.**
7. **Ne jetez pas la batterie au feu même si elle est sérieusement endommagée ou complètement épuisée. La batterie peut exploser au contact du feu.**
8. **Abstenez-vous de clouer, couper, écraser, jeter, laisser tomber la batterie, ou de la heurter contre un objet dur.** Cela pourrait entraîner un incendie, une chaleur excessive ou une explosion.
9. **N'utilisez pas la batterie si elle est endommagée.**
10. **Les batteries au lithium-ion contenues sont soumises aux exigences de la législation sur les marchandises dangereuses.**

Lors du transport commercial par des tierces parties ou des transitaires par exemple, des exigences spécifiques en matière d'étiquetage et d'emballage doivent être respectées.

Pour la préparation de l'article expédié, il est nécessaire de consulter un expert en matériel dangereux. Veuillez également respecter les réglementations nationales susceptibles d'être plus détaillées.

Recouvrez les contacts exposés avec du ruban adhésif ou du ruban de masquage et emballez la batterie de telle sorte qu'elle ne puisse pas bouger dans l'emballage.

11. **Lors de la mise au rebut de la batterie, retirez-la de l'outil et jetez-la en lieu sûr. Suivez les réglementations locales en matière de mise au rebut des batteries.**
12. **Utilisez les batteries uniquement avec les produits spécifiés par Makita.** L'insertion de batteries dans des produits non conformes peut provoquer un incendie, une chaleur excessive, une explosion ou une fuite de l'électrolyte.
13. **Lorsque vous n'utilisez pas l'outil pendant une période prolongée, la batterie doit être retirée de l'outil.**
14. **Pendant et après l'utilisation, la batterie peut chauffer, ce qui peut entraîner des brûlures, y compris en cas de température relativement basse. Manipulez les batteries chaudes avec précaution.**
15. **Ne touchez pas la borne de l'outil immédiatement après utilisation car elle peut être assez chaude pour provoquer des brûlures.**
16. **Évitez que des copeaux, de la poussière ou du sol adhèrent aux bornes, aux trous et aux rainures de la batterie.** Cela peut provoquer un échauffement, un incendie, une explosion ou un dysfonctionnement de l'outil ou de la batterie, ce qui peut entraîner des brûlures ou des blessures.
17. **À moins que l'outil prenne en charge un tel usage, n'utilisez pas la batterie à proximité de lignes électriques haute tension.** Cela pourrait entraîner un dysfonctionnement ou casser l'outil ou la batterie.
18. **Conservez la batterie hors de portée des enfants.**

## CONSERVEZ CES INSTRUCTIONS.

**⚠ATTENTION** : N'utilisez que des batteries Makita d'origine. L'utilisation de batteries de marque autre que Makita ou de batteries modifiées peut provoquer l'explosion des batteries, ce qui présente un risque d'incendie, de dommages matériels et corporels. Cela annulera également la garantie Makita pour l'outil et le chargeur Makita.

## Conseils pour assurer la durée de vie optimale de la batterie

1. Chargez la batterie avant qu'elle ne soit complètement déchargée. Arrêtez toujours l'outil et rechargez la batterie quand vous remarquez que la puissance de l'outil diminue.
2. Ne rechargez jamais une batterie complètement chargée. La surcharge réduit la durée de service de la batterie.
3. Chargez la batterie à une température ambiante comprise entre 10 °C et 40 °C. Avant de charger une batterie chaude, laissez-la refroidir.
4. Lorsque vous n'utilisez pas la batterie, retirez-la de l'outil ou du chargeur.
5. Rechargez la batterie si elle est restée inutilisée pendant une période prolongée (plus de six mois).

## DESCRIPTION DU FONCTIONNEMENT

**⚠ATTENTION** : Assurez-vous toujours que l'appareil est hors tension et que ses batteries sont retirées avant de l'ajuster ou de vérifier son fonctionnement.

### Insertion ou retrait de la batterie

**⚠ATTENTION** : Éteignez toujours l'appareil avant de mettre en place ou de retirer la batterie.

**⚠ATTENTION** : Tenez fermement l'appareil et la batterie lors de la mise en place ou du retrait de la batterie. Si vous ne tenez pas fermement l'appareil et la batterie, ils peuvent vous glisser des mains, et s'abîmer ou vous blesser.

Pour installer les batteries, alignez les languettes sur les batteries avec les rainures sur le compartiment et insérez-les en place. Insérez-les à fond jusqu'à ce qu'un léger déclic se fasse entendre. Si vous pouvez voir l'indicateur rouge comme illustré sur la figure, c'est qu'elles ne sont pas bien verrouillées.

Pour retirer les batteries, faites-les glisser hors du compartiment de batterie tout en maintenant enfoncés les boutons devant les batteries.

► Fig.1: 1. Indicateur rouge 2. Bouton 3. Batterie droite 4. Batterie gauche

**⚠ATTENTION** : Insérez toujours complètement la batterie jusqu'à ce que le voyant rouge ne soit plus visible. Sinon, elle pourrait tomber accidentellement de l'appareil au risque de vous blesser ou de blesser quelqu'un se trouvant à proximité.

**⚠ATTENTION** : N'insérez pas la batterie de force. Si elle ne glisse pas facilement, c'est que vous ne l'insérez pas correctement.

L'aspirateur a deux emplacements pour batterie. Vous pouvez choisir entre deux batteries ou une seule batterie selon vos besoins.

### Avec doubles batteries

L'entraînement continu avec deux batteries permet une autonomie plus longue et un nettoyage plus efficace. Lorsque la première batterie est déchargée, l'aspirateur change automatiquement de source d'alimentation, pour continuer à fonctionner avec la deuxième batterie.

**NOTE** : L'emplacement pour la batterie droite (lorsque vous êtes face à l'avant de l'aspirateur) a priorité sur l'emplacement pour la batterie gauche. L'emplacement pour la batterie gauche sert uniquement de source d'alimentation, en l'absence de batterie dans l'emplacement pour la batterie droite ou lorsque la batterie sur l'emplacement pour la batterie droite est déchargée.

**NOTE** : Vous pouvez retirer la batterie de l'emplacement pour la batterie droite et la recharger une fois que l'aspirateur a changé de source d'alimentation de l'emplacement pour la batterie droite à l'emplacement pour la batterie gauche sans cesser de fonctionner. Pour redonner la priorité à l'emplacement pour la batterie droite après avoir installé une batterie rechargée, redémarrez l'aspirateur.

**NOTE** : Lorsque l'aspirateur change de source d'alimentation de la première batterie à la seconde, il peut s'avérer nécessaire d'interrompre provisoirement le fonctionnement, ce qui entraîne une légère perte d'aspiration. Il ne s'agit pas d'un dysfonctionnement de sorte que l'aspirateur se rétablit et recommence à fonctionner immédiatement après la pause.




### Avec une seule batterie

Une seule batterie est requise comme source d'alimentation sur l'emplacement pour la batterie droite ou gauche. L'aspirateur détermine automatiquement quel emplacement pour batterie est disponible.

## Indication de la charge restante de la batterie

Appuyez sur le bouton de vérification sur la batterie pour indiquer la charge restante de la batterie. Les témoins s'allument pendant quelques secondes.

► Fig.2: 1. Témoins 2. Bouton de vérification

Témoins			Charge restante
			
Allumé	Éteint	Clignotant	75 % à 100 %

Témoins			Charge restante
Allumé	Éteint	Clignotant	
			50 % à 75 %
			25 % à 50 %
			0 % à 25 %
			Chargez la batterie.
			Anomalie possible de la batterie.

**NOTE :** Selon les conditions d'utilisation et la température ambiante, l'indication peut être légèrement différente de la capacité réelle.

**NOTE :** Le premier témoin (complètement à gauche) clignotera pendant le fonctionnement du système de protection de la batterie.

## Indication de la capacité de batterie restante sur le boîtier de commande

Vous pouvez vérifier la capacité de batterie restante sur le boîtier de commande. Appuyez sur le bouton pour indiquer la capacité de batterie restante.

Les lettres « L » et « R » sur le boîtier de commande correspondent respectivement aux batteries gauche et droite. Suivez l'indication lorsque vous remplacez la batterie.

► **Fig.3:** 1. Témoin de la batterie 2. Bouton de contrôle de batterie/de DEL d'éclairage

Statut du témoin de la batterie			Charge restante de la batterie
Allumé	Éteint	Clignotant	
			50 % à 100 %
			20 % à 50 %
			0 % à 20 %
			Chargez la batterie

## Système de protection de l'appareil/la batterie

L'appareil est équipé d'un système de protection de l'appareil/la batterie. Ce système met automatiquement hors tension le moteur pour accroître l'autonomie de l'appareil et de la batterie. Dans ce cas, le témoin de

la batterie s'allume comme indiqué dans le tableau suivant.

Statut du témoin de la batterie			État
Allumé	Éteint	Clignotant	
			Protection contre la surcharge (batterie) / Protection contre la surchauffe (batterie) / Protection contre la décharge excessive
			Protection contre la surchauffe (appareil)

Si l'appareil ou la batterie se trouve dans l'une des situations suivantes, l'appareil et la DEL d'éclairage cesse automatiquement de fonctionner :

### Protection contre la surcharge

Lorsque l'appareil/la batterie est utilisé(e) d'une manière provoquant un appel de courant anormalement élevé, l'appareil s'arrête automatiquement. Dans ce cas, éteignez l'appareil et arrêtez la tâche ayant provoqué la surcharge de l'appareil. Puis rallumez l'appareil pour reprendre la tâche.

### Protection contre la surchauffe

En cas de surchauffe de l'appareil ou de la batterie, l'appareil s'arrête automatiquement. Dans ce cas, laissez l'appareil/la batterie refroidir avant de rallumer l'appareil.

### Protection contre la décharge totale de la batterie

Lorsque la charge restante de la batterie devient faible, l'appareil s'arrête automatiquement. Si le produit ne fonctionne pas même lorsque les boutons sont actionnés, retirez les batteries de l'appareil et chargez-les.

### Protections contre d'autres causes

Le système de protection est également conçu pour d'autres causes qui pourraient endommager l'appareil et lui permet de s'arrêter automatiquement. Suivez toutes les étapes ci-dessous pour éliminer les causes, lorsque l'appareil a été arrêté provisoirement ou a cessé de fonctionner.

1. Éteignez l'appareil, puis rallumez-le pour le redémarrer.
2. Chargez la ou les batteries ou remplacez-les par des batteries rechargées.
3. Laissez l'appareil et la ou les batteries refroidir.

En l'absence d'amélioration après avoir rétabli le système de protection, contactez votre centre de service Makita local.

## Position du boîtier de commande

Le boîtier de commande peut être accroché de n'importe quel côté de la ceinture inférieure. Arrangez le cordon de sorte que le boîtier de commande se place du côté souhaité. Pour éviter d'abîmer le cordon, faites-le passer dans la rainure comme illustré.

► Fig.4: 1. Rainure 2. Cordon

## Réglage des ceintures

Il est possible de régler les courroies d'épaule et les ceintures supérieure et inférieure. Passez d'abord vos bras par les courroies d'épaule, puis serrez les ceintures inférieure et supérieure. Pour serrer, tirez sur l'extrémité de la courroie comme illustré. Pour desserrer, soulevez l'extrémité de la barrette.

### Ceinture inférieure

► Fig.5: 1. Courroie 2. Barrette

### Courroies d'épaule

► Fig.6: 1. Courroie 2. Barrette

### Ceinture supérieure

► Fig.7: 1. Courroie 2. Barrette

## Crochet de transport

Tenez toujours le crochet de transport lorsque vous manipulez le corps de l'aspirateur.

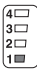
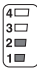


► Fig.8: 1. Crochet de transport

## Fonctionnement de la gâchette

Pour démarrer l'aspirateur, il suffit d'appuyer sur le bouton ①. Pour l'éteindre, appuyez à nouveau sur le bouton ①.

Vous pouvez changer la puissance d'aspiration de l'aspirateur selon quatre niveaux en appuyant sur le bouton ②. Chaque pression sur ce bouton répète en cycle le mode 1 à 4.

► Fig.9: 1. Bouton de changement de la puissance d'aspiration ② 2. Bouton Marche/Arrêt (ON/OFF) ①

Niveau	Indication	Mode
1		Mode silencieux
2		Mode vitesse normale
3		Mode grande vitesse
4		Mode vitesse maximum

**NOTE :** Vous pouvez modifier la puissance d'aspiration avant de mettre sous tension l'aspirateur.

**NOTE :** L'aspirateur démarre avec la même puissance d'aspiration que lors de son dernier fonctionnement.

**NOTE :** Si vous retirez la batterie immédiatement après avoir mis l'appareil hors tension alors que le moteur tourne, l'aspirateur peut ne pas démarrer avec la même puissance d'aspiration que lors de son dernier fonctionnement.

## DEL d'éclairage

La DEL d'éclairage est installée en haut du boîtier de commande pour faciliter les opérations dans des endroits sombres. Maintenez le bouton ① enfoncé pour allumer la lampe. Pour l'éteindre, maintenez à nouveau le bouton ① enfoncé.

► Fig.10

**ATTENTION :** Évitez de regarder directement le faisceau lumineux ou sa source. Ne dirigez jamais le faisceau lumineux dans les yeux d'autres personnes.

**NOTE :** La DEL d'éclairage s'éteint automatiquement si l'aspirateur n'est pas utilisé pendant plus de 10 minutes.

## Collier du tuyau

Le collier du tuyau peut servir à tenir le tuyau ou le suceur en caoutchouc flexible.

Pour fixer le tuyau au corps de l'aspirateur, faites passer le collier du tuyau par la fente sur le corps. Vous pouvez fixer le collier du tuyau de n'importe quel côté.

► Fig.11: 1. Collier du tuyau 2. Fente 3. Tuyau

Les arceaux présents sur la ceinture inférieure peuvent être utilisés pour transporter les suceurs comme illustré.

► Fig.12: 1. Arceau 2. Suceur

## Crochet du tuyau

Lorsque vous interrompez la tâche, le crochet sur l'ensemble du tube cintré peut être utilisé pour suspendre le tube à la partie d'accrochage de la ceinture inférieure.

► Fig.13: 1. Crochet 2. Ceinture inférieure 3. Partie d'accrochage

## ASSEMBLAGE

**ATTENTION :** Vérifiez toujours que l'appareil est hors tension et que la batterie est retirée avant toute intervention dessus.

## Assemblage du tuyau

Insérez le manchon du tuyau dans le corps de l'aspirateur et tournez-le dans le sens des aiguilles d'une montre.

- **Fig.14:** 1. Manchon du tuyau 2. Corps de l'aspirateur

## Utilisation en tant qu'aspirateur

### Fixation de l'ensemble du tube cintré

#### Accessoire en option

**NOTE :** Il n'est pas nécessaire d'effectuer cette procédure si votre modèle est livré avec l'ensemble du tube cintré fixé sur le tuyau.

**NOTE :** Il existe deux types d'ensemble du tube cintré : celui pour le tube prolongateur de type coulissant et celui pour le tube prolongateur avec bague. Si vous préparez l'ensemble du tube cintré, choisissez celui correspondant au type de tube prolongateur souhaité.

L'ensemble du tube cintré sert à raccorder le tube prolongateur ou le suceur pour aspiration à ce produit. Si vous souhaitez utiliser ce produit comme aspirateur, fixez l'ensemble du tube cintré au tuyau.

#### Pour l'ensemble du tube cintré de type vissable

Pour le fixer, dévissez le manchon avant du tuyau et serrez le manchon de l'ensemble du tube cintré sur le tuyau.

Pour le retirer, desserrez le manchon de l'ensemble du tube cintré sur le tuyau.

- **Fig.15:** 1. Tuyau 2. Ensemble du tube cintré  
3. Manchon

#### Pour l'ensemble du tube cintré de type enclipsable

Pour le fixer, insérez l'extrémité du tuyau dans l'ensemble du tube cintré. Assurez-vous que les languettes sur l'extrémité du tuyau s'enclipsent dans les orifices sur l'ensemble du tube cintré.

Pour le retirer, tirez sur l'ensemble du tube cintré tout en appuyant sur les deux languettes sur l'extrémité du tuyau.

- **Fig.16:** 1. Extrémité du tuyau 2. Languette 3. Orifice  
4. Ensemble du tube cintré

### Assemblage du suceur et du tube

#### Accessoire en option

**NOTE :** Le type de suceur et de tube fournis avec le produit dépend du pays. Dans certains pays, le suceur et le tube ne sont pas fournis.

1. Insérez en tournant le suceur sur le tube prolongateur.

- **Fig.17:** 1. Tube prolongateur 2. Suceur en caoutchouc flexible 3. Suceur plat 4. Raccord en forme de T

Lorsque vous utilisez le suceur en T avec basculement sol/tapis, vous pouvez changer de mode selon l'endroit.

— Mode sol : convient pour un endroit lisse, comme un sol dur

— Mode tapis : convient pour un endroit à longs poils comme de la moquette ou un tapis

- **Fig.18:** 1. Bouton de changement de mode 2. Mode sol 3. Mode tapis

**NOTE :** Tourner le suceur en l'insérant permet de le fixer solidement au tube prolongateur.

**NOTE :** Pour le modèle avec le tuyau de  $\varnothing 38$  mm et le manchon avant 38, fixez le suceur fourni au tube cintré en aluminium/tube droit en aluminium.

2. Procédez comme indiqué ci-dessous en fonction du type de tube prolongateur :

**NOTE :** Le tube prolongateur de type coulissant et le tube prolongateur avec bague ne sont pas compatibles. Pour remplacer le tube prolongateur de type coulissant par le tube prolongateur avec bague ou inversement, il faut également changer l'ensemble du tube cintré.

#### Pour le tube prolongateur de type coulissant

Chargez le corps de l'aspirateur sur vos épaules, puis insérez le tube prolongateur dans l'ensemble du tube cintré jusqu'au dé clic. Pour le déconnecter, retirez le tube prolongateur en appuyant sur le bouton.

- **Fig.19:** 1. Ensemble du tube cintré 2. Bouton  
3. Tube prolongateur de type coulissant  
4. Suceur en caoutchouc flexible

Il est possible de régler la longueur du tube.

Tout en appuyant sur le bouton coulissant, réglez la longueur du tube. La longueur est bloquée lorsque vous relâchez le bouton coulissant.

- **Fig.20:** 1. Bouton coulissant

#### Pour le tube prolongateur avec bague

Chargez le corps de l'aspirateur sur vos épaules, puis insérez en tournant le tube prolongateur dans l'ensemble du tube cintré. Pour le déconnecter, tirez en tournant.

- **Fig.21:** 1. Ensemble du tube cintré 2. Tube prolongateur avec bague 3. Suceur en caoutchouc flexible

**NOTE :** Le suceur en caoutchouc flexible peut être directement fixé à l'ensemble du tube cintré sans verrou de tube.

Il est possible de régler la longueur du tube.

Desserrez la bague sur le tube et réglez la longueur du tube. Serrez la bague à la longueur souhaitée.

- **Fig.22:** 1. Bague

#### Pour le tube cintré en aluminium/tube droit en aluminium

(Uniquement pour le modèle avec le tuyau de  $\varnothing 38$  mm et le manchon avant 38)

Chargez le corps de l'aspirateur sur vos épaules, puis insérez en tournant le tube dans le manchon avant. Pour le déconnecter, tirez en tournant.

- **Fig.23:** 1. Manchon avant 38 2. Tube cintré en aluminium 3. Tube droit en aluminium  
4. Raccord en forme de T

#### Pour les deux tubes droits en aluminium

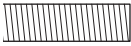
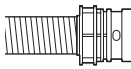
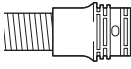
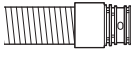
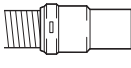
Chargez le corps de l'aspirateur sur vos épaules, puis insérez en tournant les tubes. Pour le déconnecter, tirez en tournant.

- **Fig.24:** 1. Ensemble du tube cintré 2. Tube droit en aluminium 1 3. Tube droit en aluminium 2

## Raccordement de l'outil

**NOTE :** Si l'ensemble du tube cintré est fixé sur le tuyau, retirez-le au préalable.

Pour raccorder un outil à l'aspirateur, le tuyau dédié et/ou des pièces supplémentaires sont nécessaires. Selon le modèle de votre aspirateur, il vous faudra remplacer le tuyau et/ou préparer des pièces supplémentaires. Consultez le tableau suivant pour en savoir plus.

Diamètre du tuyau fourni	Type d'extrémité du tuyau	Action
ø28 mm	 sans pièce	Fixez le manchon avant.
	 avec une pièce enclipsable	Remplacez l'extrémité du tuyau (pièce enclipsable) par le manchon avant. L'extrémité du tuyau peut être retirée en la tournant dans le sens inverse des aiguilles d'une montre.
ø32 mm	 avec une pièce enclipsable	Remplacez le tuyau par le tuyau d'extraction de poussière (ø28 mm, avec manchon avant).
	 avec une pièce enclipsable	Remplacez le tuyau par le tuyau d'extraction de poussière (ø28 mm, avec manchon avant).
ø38 mm	 avec manchon avant 38	Fixez le joint 22-38 ou le manchon avant 24.

**NOTE :** Utilisez toujours un manchon avant adapté. Lorsque vous utilisez le manchon avant 24, fixez-le sur le manchon avant 22 qui est raccordé au tuyau.

► **Fig.25:** 1. Manchon avant 22 2. Manchon avant 24

## Lorsque vous utilisez le tuyau d'extraction de poussière ø28 mm

- Fixez le manchon avant sur le tuyau d'extraction de poussière. Lors du raccordement du manchon avant, assurez-vous qu'il est bien vissé sur le tuyau.
  - Raccordez le manchon avant sur la bouche d'extraction de l'outil.
- **Fig.26:** 1. Manchon avant 2. Bouche d'extraction 3. Tuyau

Le manchon avant peut être retiré en le tournant dans le sens inverse des aiguilles d'une montre tout en tenant le tuyau.

## Lorsque vous utilisez le tuyau de ø38 mm avec le manchon avant 38

- Insérez en tournant le joint ou le manchon avant sur l'entrée du tuyau en fonction de l'outil que vous raccordez.
  - Raccordez le manchon avant sur la bouche d'extraction de l'outil.
- **Fig.27:** 1. Joint 2. Manchon avant 3. Bouche d'extraction 4. Tuyau

Pour retirer le joint et le manchon avant, suivez les procédures d'installation dans le sens inverse.

## Installation du sac-filtre/sac à poussière

### Accessoire en option

**ATTENTION :** N'utilisez pas un sac-filtre endommagé. Utilisez toujours l'aspirateur avec le sac-filtre correctement installé. Autrement, la poussière et les particules aspirées peuvent être expulsées de l'aspirateur, ce qui présente un risque de maladie respiratoire pour l'utilisateur.

Installez le sac à poussière ou le sac-filtre avant d'utiliser l'aspirateur.

- Les sacs à poussière sont réutilisables si vous les nettoyez correctement.
- Le sac-filtre est de type jetable. Jetez l'ensemble du sac-filtre sans le vider une fois qu'il est plein.

**REMARQUE** : Lorsque le sac-filtre est plein, remplacez-le par un neuf. Lorsque le sac à poussière est plein, videz-le. Si vous continuez à utiliser le sac-filtre/sac à poussière plein, la puissance d'aspiration sera réduite.

**REMARQUE** : Pour éviter que la poussière pénètre dans le moteur :

- Assurez-vous que le sac-filtre/sac à poussière est installé avant utilisation.
- N'utilisez pas un sac rompu ou déchiré.

Cela risquerait d'endommager le moteur.

**REMARQUE** : Ne pliez pas l'ouverture en carton du sac-filtre/sac à poussière lorsque vous l'installez.

**REMARQUE** : Le sac-filtre/sac à poussière pour aspirateur est un élément important du maintien des performances de l'appareil. L'utilisation d'un autre filtre que le sac-filtre/sac à poussière d'origine peut provoquer un dégagement de fumée ou une combustion.

**NOTE** : Si le sac-filtre/sac à poussière n'est pas installé dans l'aspirateur, le couvercle avant ne se ferme pas complètement.

► Fig.28

1. Déverrouillez le levier et ouvrez le couvercle avant.

► Fig.29: 1. Levier 2. Couvercle avant

2. Insérez le sac-filtre dans la fente sur le côté supérieur de la chambre comme illustré.

► Fig.30: 1. Fente 2. Sac-filtre

Si vous utilisez le sac à poussière, insérez le bord du sac à poussière dans la fente.

► Fig.31: 1. Fente 2. Bord 3. Sac à poussière

3. Alignez l'orifice du sac-filtre sur le manchon du tuyau et poussez la partie en carton vers le fond. Assurez-vous que la bague en caoutchouc sur le sac-filtre passe au-dessus du bord sur le manchon du tuyau.

► Fig.32: 1. Bague en caoutchouc sur le sac-filtre  
2. Bord sur le manchon du tuyau 3. Partie en carton du sac-filtre 4. Manchon du tuyau

4. Verrouillez fermement le couvercle avant.

**ATTENTION** : Veillez à ne pas vous pincer les doigts lors du rabattement du loquet et de la fermeture du couvercle avant.

## Protège harnais

### Accessoire en option

Lorsque vous utilisez le protège harnais, procédez comme indiqué ci-dessous pour le fixer.

**NOTE** : Lorsque vous installez le protège-harnais, ne faites pas d'erreur à l'avant et à l'arrière du protège-harnais.

**NOTE** : La protège-harnais est lavable. Suivez les instructions de lavage sur l'étiquette.

► Fig.33

1. Étendez le protège harnais sur le harnais.

► Fig.34

2. Fixez en place les bretelles du harnais avec les bandes autoagrippantes du protège-harnais. Accrochez la lanière du protège-harnais sur le harnais.

► Fig.35

## UTILISATION

**AVERTISSEMENT** : Les utilisateurs doivent avoir reçu les instructions adéquates sur l'utilisation de l'aspirateur.




**AVERTISSEMENT** : Cet aspirateur ne convient pas pour aspirer des poussières dangereuses.

**ATTENTION** : Cet aspirateur est conçu pour une utilisation à sec uniquement.

**ATTENTION** : Pendant le fonctionnement, soyez conscient de l'aspirateur sur votre dos. Vous pourriez perdre l'équilibre si le corps de l'aspirateur se cogne contre un mur ou si le tuyau est accroché par des obstacles.

1. Chargez le corps de l'aspirateur sur vos épaules et serrez les ceintures supérieure et inférieure. Réglez le serrage au besoin.

► Fig.36

2. Appuyez sur le bouton  pour démarrer l'aspirateur. Pour modifier la puissance d'aspiration, appuyez sur le bouton  jusqu'à ce que la puissance d'aspiration souhaitée soit sélectionnée. Appuyez sur le bouton  pour arrêter.

► Fig.37

Pendant le fonctionnement, accrochez le boîtier de commande sur l'anneau en D ou sur la partie d'accrochage de la ceinture inférieure. Le crochet peut être incliné pour éclairer vers l'avant lorsqu'il est accroché sur la partie d'accrochage.

► Fig.38: 1. Anneau en D 2. Partie d'accrochage

3. Remplacez le sac-filtre lorsqu'il est plein. Ouvrez le couvercle avant et sortez le sac-filtre. Tirez sur la bande sur le côté de l'ouverture pour fermer le sac-filtre et jetez l'ensemble.

► Fig.39: 1. Bande

Si vous utilisez un sac à poussière, sortez le sac à poussière et jetez la poussière en libérant le loquet.

► Fig.40: 1. Loquet



**REMARQUE** : Ne placez pas le sac-filtre/sac à poussière ou d'autres objets lourds sur le couvercle avant. L'appareil risque de tomber.

**REMARQUE** : Vérifiez régulièrement le sac-filtre pour contrôler si le filtre est plein. Si vous continuez à utiliser le sac-filtre plein, la puissance d'aspiration sera réduite.

**REMARQUE** : N'utilisez pas un sac-filtre usé. Le sac-filtre n'est pas conçu pour être réutilisé. L'utilisation répétée du sac-filtre peut boucher le filtre et endommager l'aspirateur. Si vous voulez réutiliser le sac, optez pour un sac à poussière.

## ENTRETIEN

**ATTENTION** : Assurez-vous toujours que l'appareil est hors tension et que la batterie est retirée avant d'y effectuer tout travail d'inspection ou d'entretien.

**REMARQUE** : N'utilisez jamais d'essence, benzine, diluant, alcool ou autre produit similaire. Cela risquerait de provoquer la décoloration, la déformation ou la fissuration de l'outil.

Pour assurer la SÉCURITÉ et la FIABILITÉ du produit, toute réparation, tout travail d'entretien ou de réglage doivent être effectués par un centre d'entretien Makita agréé, avec des pièces de rechange Makita.

### Nettoyage du filtre HEPA

**ATTENTION** : N'utilisez pas l'aspirateur sans filtre, ni ne continuez à utiliser un filtre sale ou endommagé. La poussière ou les particules aspirées peuvent être expulsées de l'aspirateur, ce qui présente un risque de maladie respiratoire pour l'utilisateur.

**REMARQUE** : Pour conserver une puissance d'aspiration optimale et un échappement propre, nettoyez régulièrement le filtre. Si vous n'obtenez pas une puissance d'aspiration suffisante même après le nettoyage, remplacez le filtre par un neuf.

**REMARQUE** : Pour éviter d'endommager le filtre, n'utilisez pas les outils suivants et les articles similaires pour le nettoyage.

- Souffleur de poussières
- Nettoyeur haute pression
- Outils fabriqués en matériaux durs comme une brosse métallique

1. Ouvrez le couvercle avant et sortez le sac-filtre/sac à poussière. Libérez le crochet sur le filtre et retirez-le du corps de l'aspirateur.

► Fig.41: 1. Crochet 2. Filtre HEPA

2. Retirez la poussière du filtre. Le filtre peut être lavé à l'eau. Rincez la poussière et les particules sur le filtre tous les mois ou tous les deux mois. Puis, séchez complètement le filtre dans un endroit à l'ombre et bien aéré pour empêcher les mauvaises odeurs ou des

dysfonctionnements.

3. Pour installer le filtre, insérez le côté sans les crochets dans la rainure, puis poussez le filtre jusqu'au dé clic indiquant que les crochets sont fixés.

► Fig.42: 1. Rainure 2. Filtre HEPA 3. Crochet

### Nettoyage du filtre éponge

**ATTENTION** : Après avoir nettoyé les filtres éponges, veillez à les installer sur l'aspirateur. Si vous les avez lavés à l'eau, séchez-les soigneusement avant de les installer. Un filtre éponge pas assez sec peut réduire la durée de vie du moteur.

Les filtres éponges sous le filtre HEPA empêchent la poussière de pénétrer dans le moteur.

1. Retirez les filtres éponges de l'aspirateur.

► Fig.43: 1. Filtre éponge

2. Essuyez et secouez la poussière des filtres éponges à la main. Si les filtres éponges sont bouchés, lavez-les dans de l'eau savonneuse.

► Fig.44

3. Installez les filtres éponges sur leur position originale.

### Nettoyage du sac à poussière

Nettoyez régulièrement le sac à poussière à l'eau et au savon. Retournez le sac à poussière et enlevez la poussière collante. Lavez délicatement à la main et rincez abondamment à l'eau. Séchez-le complètement avant de le placer sur l'aspirateur.

► Fig.45

**REMARQUE** : Un sac à poussière mouillé réduit les performances d'aspiration ainsi que la durée de vie du moteur.

### Pour déboucher

Pour déboucher, retirez le tuyau ou le tube prolongateur, ou bien l'ensemble du tube cintré pour vérifier à l'intérieur.

Reportez-vous à la section sur la fixation de l'ensemble du tube cintré.

### Nettoyage de l'espace du sac-filtre/sac à poussière

Cet appareil est équipé d'un système de battage des poussières. Lorsque vous marchez en transportant l'aspirateur, les ressorts sous le plateau font vibrer le plateau et secouent la poussière du sac-filtre/sac à poussière.

Lorsque vous nettoyez l'espace du sac-filtre/sac à poussière, retirez et frottez le plateau intérieur.

► Fig.46: 1. Plateau

### Retrait du plateau

1. Retirez le filtre HEPA. Reportez-vous à la section sur le nettoyage du filtre HEPA pour connaître la procédure de retrait.

2. Enfoncez le plateau vers le bas et faites-le

coulisser vers la gauche jusqu'à ce qu'il touche la paroi.

3. Soulevez le côté droit du plateau et extrayez-le.  
► **Fig.47:** 1. Plateau

Le plateau est soutenu par trois ressorts. Si les ressorts se détachent des parties saillantes, remettez-les en place comme illustré.

- **Fig.48:** 1. Ressort long 2. Ressort court 3. Partie saillante

**NOTE :** Fixez correctement les ressorts, de sorte qu'ils soient en contact avec la base des parties saillantes.

## Fixation du plateau

1. Insérez le côté rectiligne du plateau dans les crans situés sur le côté inférieur gauche de l'espace.
2. Mettez en place le côté droit du plateau.  
► **Fig.49:** 1. Plateau 2. Côté rectiligne 3. Cran

# COLLECTEUR CYCLONE

## Accessoire en option

**NOTE :** Lorsque vous utilisez le collecteur cyclone avec cet appareil, le tube cintré est également nécessaire.

- **Fig.50:** 1. Collecteur cyclone

## À propos du collecteur cyclone

L'utilisation de l'aspirateur avec le collecteur cyclone installé réduit la quantité de poussière qui pénètre dans le sac à poussière, ce qui permet d'éviter que la puissance d'aspiration faiblisse. De plus, le nettoyage après utilisation est également simple.

**⚠ATTENTION :** Assurez-vous toujours que l'outil est hors tension et que sa batterie est retirée avant d'effectuer toute tâche dessus. Si la batterie est insérée, un démarrage intempestif de l'aspirateur susceptible de provoquer des blessures est possible.

**⚠ATTENTION :** Nettoyez le filtre à maille du collecteur cyclone et le sac à poussière de l'aspirateur s'ils sont bouchés. L'utilisation continue dans cet état peut provoquer une émission de chaleur ou de fumée.

**REMARQUE :** Lorsque le collecteur cyclone est fixé, ne l'utilisez pas dans le sens horizontal ou tourné vers le haut. Le filtre à maille pourrait se boucher.

**REMARQUE :** Utilisez toujours l'aspirateur avec le sac à poussière installé, même lorsque vous utilisez le collecteur cyclone. Si vous utilisez l'aspirateur sans sac à poussière installé, un dysfonctionnement du moteur peut se produire.

**NOTE :** Vérifiez avant utilisation que le collecteur cyclone, l'aspirateur et le tuyau droit sont correctement verrouillés.

**NOTE :** Videz le logement à poussières du collecteur cyclone et le sac à poussière de l'aspirateur lorsque de la poussière s'est accumulée. Si vous continuez à utiliser l'aspirateur dans cet état, la puissance d'aspiration sera affaiblie.

**NOTE :** Vous pouvez utiliser le collecteur cyclone avec ou sans la fonction de blocage.

**NOTE :** Pour installer ou retirer le collecteur cyclone, reportez-vous à la section « Utilisation en tant qu'aspirateur ».

## Mise au rebut des poussières

Lorsque la poussière s'est accumulée jusqu'à la ligne Plein du logement à poussières, procédez comme indiqué ci-dessous et jetez la poussière.

1. Tenez fermement le logement à poussières, maintenez enfoncés les deux boutons et retirez le logement à poussières.

- **Fig.51:** 1. Ligne Plein 2. Logement à poussières 3. Bouton (deux emplacements) 4. Filtre à maille

2. Jetez la poussière à l'intérieur du logement à poussières et retirez la poussière ou la poudre collée à la surface du filtre à maille.

3. Insérez le logement à poussières à fond jusqu'à ce que les deux boutons se verrouillent en place avec un déclic.

- **Fig.52:** 1. Logement à poussières 2. Bouton (deux emplacements)

**NOTE :** Vérifiez avant de redémarrer que le collecteur cyclone, l'aspirateur et le tuyau droit sont correctement verrouillés.

**NOTE :** Si la puissance d'aspiration n'est pas rétablie même après avoir jeté la poussière et nettoyé le filtre à maille, vérifiez si la poussière ne s'est pas accumulée dans le sac à poussière de l'aspirateur ou si ce dernier n'est pas bouché.

## Nettoyage

Lorsque le logement à poussières est sale ou que le filtre à maille est bouché, retirez-les et lavez-les à l'eau. (Consultez « Mise au rebut des poussières » pour la procédure de retrait.)

Séchez soigneusement les pièces avant de les remettre en place et d'utiliser l'aspirateur.

- **Fig.53:** 1. Logement à poussières 2. Filtre à maille

Lorsque le filtre à maille est très sale, nettoyez-le en procédant comme suit.

1. Tournez le filtre à maille dans le sens inverse des aiguilles d'une montre et retirez-le alors que les crochets sont déverrouillés.

- **Fig.54:** 1. Filtre à maille 2. Crochet

2. Retirez la poussière sur le filtre à maille, puis lavez-le à l'eau. Ensuite, séchez-le soigneusement.

3. Insérez le filtre à maille dans la base avec les

crochets alignés sur l'orifice. Tournez le filtre à maille dans le sens des aiguilles d'une montre jusqu'à ce que les crochets se verrouillent en place avec un déclic. Assurez-vous que le filtre à maille est solidement installé.

► **Fig.55:** 1. Filtre à maille 2. Crochet 3. Orifice

## ACCESSOIRES EN OPTION

**⚠ ATTENTION :** Ces accessoires ou pièces complémentaires sont recommandés pour l'utilisation avec le produit Makita spécifié dans ce manuel. L'utilisation de tout autre accessoire ou pièce complémentaire peut comporter un risque de blessure. N'utilisez les accessoires ou pièces complémentaires qu'aux fins auxquelles ils ont été conçus.

Certains accessoires peuvent ne pas être installés selon la combinaison des pièces.

Pour obtenir plus de détails sur ces accessoires, contactez votre centre d'entretien local Makita.

- Tuyau (pour le type aspirateur)
- Tuyau (pour le type extracteur de poussière)
- Tube prolongateur
- Suceur en caoutchouc flexible
- Raccord en forme de T
- Suceur pour siège
- Suceur plat
- Brosse pour étagères
- Brosse ronde
- Ensemble du tube cintré
- Sac-filtre
- Sac à poussière
- Manchon avant
- Filtre HEPA
- Tube
- Protège harnais
- Collecteur cyclone
- Batterie et chargeur Makita d'origine

**NOTE :** Il se peut que certains éléments de la liste soient compris dans l'emballage de l'outil en tant qu'accessoires standard. Ils peuvent varier d'un pays à l'autre.

## WARNUNG

- Diese Maschine sollte nicht von Personen (einschließlich Kindern) mit reduzierten körperlichen, sensorischen oder geistigen Fähigkeiten oder mangelnder Erfahrung und Kenntnis benutzt werden.
- Kinder sollten beaufsichtigt werden, um sicherzugehen, dass sie nicht mit dem Sauggerät spielen.
- Angaben zur Typenbezeichnung des Akkus finden Sie im Kapitel „TECHNISCHE DATEN“.
- Angaben zum Demontage- oder Installationsverfahren des Akkus finden Sie im Abschnitt „Installieren oder Demontieren des Akkus“.
- Entfernen Sie den Akku zum Entsorgen vom Werkzeug, und entsorgen Sie ihn an einem sicheren Ort. Befolgen Sie die örtlichen Vorschriften bezüglich der Entsorgung von Akkus.
- Soll das Werkzeug längere Zeit nicht benutzt werden, muss der Akku vom Werkzeug entfernt werden.
- Der Akku darf nicht kurzgeschlossen werden.
- Entsprechende Details der Vorsichtsmaßnahmen während der Benutzerwartung finden Sie im Kapitel „WARTUNG“.

## TECHNISCHE DATEN

<b>Modell:</b>		<b>VC011G</b>
Kapazität	Filterbeutel	6,0 L
	Staubsaack	5,5 L
Maximales Luftvolumen (Mit Schlauch ø32 mm x 1,0 m)		2,4 m <sup>3</sup> /min
Unterdruck		20 kPa
Abmessungen (L x B x H) (ohne Tragegurt, mit BL4050F)		336 mm x 185 mm x 543 mm
Nennspannung		36 V - 40 V Gleichstrom
Nettogewicht		6,4 - 9,5 kg

- Wir behalten uns vor, Änderungen der technischen Daten im Zuge der Entwicklung und des technischen Fortschritts ohne vorherige Ankündigung vorzunehmen.
- Die technischen Daten können von Land zu Land unterschiedlich sein.
- Das Gewicht schließt keine Zubehörteile, aber Akkus ein. Das niedrigste und höchste Kombinationsgewicht des Gerätes und der Akkus sind in der Tabelle angegeben.
- Die Länge des mitgelieferten Schlauchs ist je nach Land unterschiedlich.

## Zutreffende Akkus und Ladegeräte

Akku	BL4020 / BL4025 / BL4040 / BL4040F / BL4050F / BL4080F
Ladegerät	DC40RA / DC40RB / DC40RC / DC40WA

- Einige der oben aufgelisteten Akkus und Ladegeräte sind je nach Ihrem Wohngebiet eventuell nicht erhältlich.

**⚠️ WARNUNG:** Verwenden Sie nur die oben aufgeführten Akkus und Ladegeräte. Bei Verwendung irgendwelcher anderer Akkus und Ladegeräte besteht Verletzungs- und/oder Brandgefahr.

**⚠️ WARNUNG:** Verwenden Sie keine verkabelte Stromversorgung, wie z. B. einen Akku-Adapter oder eine rückentragbare Akku-Bank, mit diesem Gerät. Anderenfalls kann das Kabel einer solchen Stromversorgung den Betrieb behindern und Personenschäden verursachen.

## Symbole

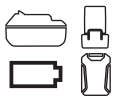
Nachfolgend werden Symbole beschrieben, die für das Gerät verwendet werden können. Machen Sie sich unbedingt vor der Benutzung mit ihrer Bedeutung vertraut.



Betriebsanleitung lesen.



Besondere Umsicht und Aufmerksamkeit erforderlich.



Ein repräsentativer Akku, der für dieses Produkt geeignet ist.



Nur für EU-Länder  
Aufgrund des Vorhandenseins gefährlicher Komponenten in der Ausrüstung können Elektro- und Elektronik-Altgeräte, Akkumulatoren und Batterien sich negativ auf die Umwelt und die menschliche Gesundheit auswirken. Entsorgen Sie Elektro- und Elektronikgeräte oder Batterien nicht mit dem Hausmüll!  
In Übereinstimmung mit der Europäischen Richtlinie über Elektro- und Elektronik-Altgeräte, Akkumulatoren und Batterien, verbrauchte Akkumulatoren und Batterien sowie ihrer Anpassung an nationales Recht sollten Elektro-Altgeräte, Batterien und Akkumulatoren gemäß den Umweltschutzbestimmungen getrennt gelagert und zu einer getrennten Sammelstelle für Siedungsabfälle geliefert werden.  
Dies wird durch das am Gerät angebrachte Symbol der durchgestrichenen Abfalltonne auf Rädern angezeigt.

## Vorgesehene Verwendung

Das Gerät ist für das Absaugen von Trockenstaub vorgesehen. Das Gerät eignet sich für kommerziellen Einsatz z. B. in Hotels, Schulen, Krankenhäusern, Fabriken, Läden, Büros und Mietunternehmen.

## Geräusch

Typischer A-bewerteter Geräuschpegel ermittelt gemäß EN60335-2-69:

Schalldruckpegel ( $L_{pA}$ ): 70 dB (A) oder weniger  
Messunsicherheit (K): 2,5 dB (A)

Der Geräuschpegel kann während des Betriebs 80 dB (A) überschreiten.

**HINWEIS:** Der (Die) angegebene(n) Schallemissionswert(e) wurde(n) im Einklang mit der Standardprüfmethode gemessen und kann (können) für den Vergleich zwischen Werkzeugen herangezogen werden.

**HINWEIS:** Der (Die) angegebene(n) Schallemissionswert(e) kann (können) auch für eine Vorbewertung des Gefährdungsgrads verwendet werden.

**⚠️ WARNUNG:** Einen Gehörschutz tragen.

**⚠️ WARNUNG:** Die Schallemission während der tatsächlichen Benutzung des Elektrowerkzeugs kann je nach der Benutzungsweise des Werkzeugs, und speziell je nach der Art des bearbeiteten Werkstücks, von dem (den) angegebenen Wert(en) abweichen.

**⚠️ WARNUNG:** Identifizieren Sie Sicherheitsmaßnahmen zum Schutz des Benutzers anhand einer Schätzung des Gefährdungsgrads unter den tatsächlichen Benutzungsbedingungen (unter Berücksichtigung aller Phasen des Arbeitszyklus, wie z. B. Ausschalt- und Leerlaufzeiten des Werkzeugs zusätzlich zur Betriebszeit).

## Schwingungen

Schwingungsgesamtwert (Drei-Achsen-Vektorsumme) ermittelt gemäß EN60335-2-69:

Arbeitsmodus: Leerlaufbetrieb

Schwingungsemission ( $a_{h1}$ ): 2,5  $m/s^2$  oder weniger  
Messunsicherheit (K): 1,5  $m/s^2$

**HINWEIS:** Der (Die) angegebene(n) Vibrationsgesamtwert(e) wurde(n) im Einklang mit der Standardprüfmethode gemessen und kann (können) für den Vergleich zwischen Werkzeugen herangezogen werden.

**HINWEIS:** Der (Die) angegebene(n) Vibrationsgesamtwert(e) kann (können) auch für eine Vorbewertung des Gefährdungsgrads verwendet werden.

**⚠️ WARNUNG:** Die Vibrationsemission während der tatsächlichen Benutzung des Elektrowerkzeugs kann je nach der Benutzungsweise des Werkzeugs, und speziell je nach der Art des bearbeiteten Werkstücks, von dem (den) angegebenen Emissionswert(en) abweichen.

**⚠️ WARNUNG:** Identifizieren Sie Sicherheitsmaßnahmen zum Schutz des Benutzers anhand einer Schätzung des Gefährdungsgrads unter den tatsächlichen Benutzungsbedingungen (unter Berücksichtigung aller Phasen des Arbeitszyklus, wie z. B. Ausschalt- und Leerlaufzeiten des Werkzeugs zusätzlich zur Betriebszeit).

## Konformitätserklärungen

### Nur für europäische Länder

Die Konformitätserklärungen sind in Anhang A dieser Betriebsanleitung enthalten.

# SICHERHEITSWARNUNGEN

## Sicherheitswarnungen für Akku-Sauggerät

**⚠️ WARNUNG: WICHTIG!** Alle Sicherheitswarnungen und Anweisungen **VOR GEBRAUCH AUFMERKSAM LESEN**. Eine Missachtung der Warnungen und Anweisungen kann zu einem elektrischen Schlag, Brand und/oder schweren Verletzungen führen.

1. Stellen Sie vor dem Gebrauch sicher, dass dieses Sauggerät nur von Personen benutzt wird, die im Gebrauch dieses Sauggerätes hinreichend unterrichtet worden sind.
2. Benutzen Sie das Sauggerät nicht ohne den Filter. Ersetzen Sie einen beschädigten Filter unverzüglich.
3. Versuchen Sie nicht, brennbare Materialien, Feuerwerk, brennende Zigaretten, heiße Asche, heiße Metallspäne, scharfe Gegenstände, wie etwa Rasierklingen, Nadeln, Glasscherben oder dergleichen aufzusaugen.
4. **BENUTZEN SIE DAS SAUGGERÄT NIEMALS IN DER NÄHE VON BENZIN, GAS, LACK, KLEBSTOFFEN ODER ANDEREN HOCH EXPLOSIVEN SUBSTANZEN.** Der Schalter erzeugt Funken beim Ein- und Ausschalten. Ebenso der Motorkollektor während des Betriebs. Es kann zu einer gefährlichen Explosion kommen.
5. Dieser Sauger ist nicht zum Aufsaugen giftigen Staubs geeignet.
6. Saugen Sie niemals giftige, krebserregende, brennbare oder andere Gefahrstoffe wie Asbest, Arsen, Barium, Beryllium, Blei, Pestizide oder sonstige gesundheitsgefährdende Materialien auf.
7. Benutzen Sie das Sauggerät niemals im Freien bei Regen.
8. Für Finnland: Diese Maschine darf nicht im Freien bei niedrigen Temperaturen benutzt werden.
9. Benutzen Sie das Sauggerät nicht in der Nähe von Wärmequellen (Öfen usw.).
10. Blockieren Sie die Kühlluftöffnungen nicht. Diese Öffnungen gestatten eine Kühlung des Motors. Blockierung ist sorgfältig zu vermeiden, weil sonst der Motor wegen mangelnder Belüftung überhitzt.
11. Achten Sie stets auf sicheren Stand und gute Balance.
12. Vermeiden Sie Knicken, Ziehen oder Zertreten des Schlauchs.
13. Stellen Sie das Sauggerät sofort ab, wenn Sie während des Betriebs eine Leistungsver schlechterung oder etwas Ungewöhnliches bemerken.
14. **AKKUS ABTRENNEN.** Bei Nichtgebrauch, vor der Wartung und beim Wechseln von Zubehör.
15. Reinigen und warten Sie das Sauggerät sofort nach jedem Gebrauch, um es in tadellosem Betriebszustand zu halten.
16. **SAUGGERÄT SORGFÄLTIG WARTEN.** Halten Sie das Sauggerät für bessere und sicherere Leistung sauber. Befolgen Sie die Anweisungen zum Auswechseln von Zubehör. Halten Sie die Handgriffe trocken, sauber und frei von Öl und Fett.
17. **GERÄT AUF BESCHÄDIGTE TEILE ÜBERPRÜFEN.** Bevor Sie das Sauggerät weiter benutzen, sollten Sie beschädigte Schutzvorrichtungen und Teile sorgfältig auf ihre Betriebsfähigkeit und Funktionstüchtigkeit hin überprüfen. Überprüfen Sie das Gerät auf Ausrichtung und Klemmen beweglicher Teile, Beschädigung von Teilen, Befestigungszustand und sonstige Mängel von Teilen, die seinen Betrieb beeinträchtigen können. Beschädigte Schutzvorrichtungen oder Teile sollten von einem autorisierten Service-Center ordnungsgemäß repariert oder ausgewechselt werden, wenn nicht anders in dieser Bedienungsanleitung angegeben. Lassen Sie defekte Schalter von einem autorisierten Service-Center auswechseln. Benutzen Sie das Sauggerät nicht, wenn es sich nicht mit dem Schalter ein- und ausschalten lässt.
18. **ERSATZTEILE.** Verwenden Sie bei der Wartung nur identische Ersatzteile.
19. Wenn Sie den Staubsauger nicht verwenden, bewahren Sie ihn immer in einem geschlossenen Raum auf.
20. Behandeln Sie Ihr Sauggerät mit Sorgfalt. Grobe Behandlung kann eine Beschädigung des Sauggerätes verursachen, selbst wenn es noch so robust gebaut ist.
21. Versuchen Sie nicht, die Außen- oder Innenseite mit Waschbenzin, Verdünner oder Reinigungskemikalien zu reinigen. Dadurch können Risse und Verfärbung verursacht werden.
22. Benutzen Sie das Sauggerät nicht in einem geschlossenen Raum, wo brennbare, explosive oder giftige Dämpfe von Lack auf Ölbasis, Lackverdünner, Benzin, bestimmten Mottenschutzmitteln usw. abgegeben werden, oder in Bereichen, wo brennbarer Staub vorhanden ist.
23. Betreiben Sie das Sauggerät nicht, wenn Sie unter dem Einfluss von Medikamenten oder Alkohol stehen.
24. Als Grundregel der Sicherheit sollten Sie stets eine Schutzbrille oder eine Sicherheitsbrille mit Seitenschützern verwenden.
25. Verwenden Sie eine Staubmaske bei staubigen Arbeitsbedingungen.
26. Fassen Sie Akku(s) und den Staubsauger niemals mit nassen Händen an.
27. Lassen Sie bei der Reinigung auf Treppen äußerste Vorsicht walten.
28. Benutzen Sie das Sauggerät nicht als Hocker oder Werkbank. Anderenfalls kann die Maschine herunterfallen und

## Personenschäden verursachen.

29. **Lassen Sie nicht zu, dass Sie aufgrund der Vertrautheit, die Sie durch häufigen Gebrauch von Werkzeugen erworben haben, selbstzufrieden werden und die Sicherheitsprinzipien der Werkzeuge missachten.** Eine achtlose Handlung kann innerhalb von Sekundenbruchteilen schwere Verletzungen verursachen.

## Gebrauch und Pflege von Akkuwerkzeugen

1. **Laden Sie den Akku nur mit dem vom Hersteller vorgeschriebenen Ladegerät.** Ein Ladegerät, das für einen Akkutyp geeignet ist, kann eine Brandgefahr darstellen, wenn es mit einem anderen Akku verwendet wird.
2. **Benutzen Sie Elektrowerkzeuge nur mit den ausdrücklich vorgeschriebenen Akkus.** Bei Verwendung irgendwelcher anderer Akkus besteht Verletzungs- und Brandgefahr.
3. **Halten Sie den Akku bei Nichtgebrauch von anderen Metallgegenständen, wie z. B. Büroklammern, Münzen, Schlüsseln, Nägeln, Schrauben oder anderen kleinen Metallgegenständen, fern, welche die Kontakte kurzschließen können.** Kurzschließen der Akkukontakte kann Verbrennungen oder einen Brand verursachen.
4. **Bei Missbrauch kann Flüssigkeit aus dem Akku austreten. Vermeiden Sie Kontakt mit dieser Flüssigkeit. Falls Sie versehentlich mit der Flüssigkeit in Berührung kommen, spülen Sie die betroffenen Stellen mit Wasser ab. Falls die Flüssigkeit in die Augen gelangt, suchen Sie zusätzlich ärztliche Hilfe auf.** Die vom Akku austretende Flüssigkeit kann Hautreizungen oder Verätzungen verursachen.
5. **Verwenden Sie keinen Akku und auch kein Werkzeug, der (das) beschädigt oder modifiziert ist.** Beschädigte oder modifizierte Akkus können unvorhersehbares Verhalten zeigen, das zu einem Brand, einer Explosion oder Verletzungsgefahr führen kann.
6. **Setzen Sie einen Akku oder ein Werkzeug nicht Feuer oder übermäßigen Temperaturen aus.** Bei Einwirkung von Feuer oder Temperaturen über 130 °C kann es zu einer Explosion kommen.
7. **Befolgen Sie alle Ladeanweisungen, und laden Sie den Akku bzw. das Werkzeug nicht außerhalb des in den Anweisungen angegebenen Temperaturbereichs.** Wird der Ladevorgang unsachgemäß oder bei Temperaturen außerhalb des angegebenen Bereichs durchgeführt, kann es zu einer Beschädigung des Akkus und erhöhter Brandgefahr kommen.

## Wartung

1. **Lassen Sie Ihr Elektrowerkzeug nur unter Verwendung identischer Ersatzteile von einem qualifizierten Wartungstechniker warten.** Dadurch wird die Aufrechterhaltung der Sicherheit des Elektrowerkzeugs gewährleistet.
2. **Beschädigte Akkus dürfen auf keinen Fall gewartet werden.** Die Wartung von Akkus darf nur vom Hersteller oder von einer Vertragswerkstatt durchgeführt werden.
3. **Befolgen Sie die Anweisungen für die Schmierung und den Austausch von Zubehör.**

4. **Halten Sie Griffe trocken, sauber und frei von Öl und Fett.**

## Wichtige Sicherheitsanweisungen für Akku

1. **Lesen Sie vor der Benutzung des Akkus alle Anweisungen und Warnhinweise, die an (1) Ladegerät, (2) Akku und (3) Akkuwerkzeug angebracht sind.**
2. **Unterlassen Sie Zerlegen oder Manipulieren des Akkus.** Es kann sonst zu einem Brand, übermäßiger Hitzeentwicklung oder einer Explosion kommen.
3. **Falls die Betriebszeit beträchtlich kürzer geworden ist, stellen Sie den Betrieb sofort ein. Anderenfalls besteht die Gefahr von Überhitzung, möglichen Verbrennungen und sogar einer Explosion.**
4. **Falls Elektrolyt in Ihre Augen gelangt, waschen Sie sie mit sauberem Wasser aus, und begeben Sie sich unverzüglich in ärztliche Behandlung. Anderenfalls können Sie Ihre Sehkraft verlieren.**
5. **Der Akku darf nicht kurzgeschlossen werden:**
  - (1) **Die Kontakte dürfen nicht mit leitfähigem Material berührt werden.**
  - (2) **Legen Sie den Akku nicht in einem Behälter zusammen mit anderen Metallgegenständen, wie z. B. Nägeln, Münzen usw.**
  - (3) **Setzen Sie den Akku weder Wasser noch Regen aus.**

**Ein Kurzschluss des Akkus verursacht starken Stromfluss, der Überhitzung, mögliche Verbrennungen und einen Defekt zur Folge haben kann.**

6. **Legen und benutzen Sie das Werkzeug und den Akku nicht an Orten, an denen die Temperatur 50 °C erreichen oder überschreiten kann.**
7. **Versuchen Sie niemals, den Akku zu verbrennen, selbst wenn er stark beschädigt oder vollkommen verbraucht ist. Der Akku kann im Feuer explodieren.**
8. **Unterlassen Sie Nageln, Schneiden, Zerquetschen, Werfen, Fallenlassen des Akkus oder Schlagen des Akkus mit einem harten Gegenstand.** Eine solche Handlung kann zu einem Brand, übermäßiger Hitzeentwicklung oder einer Explosion führen.
9. **Benutzen Sie keine beschädigten Akkus.**
10. **Die enthaltenen Lithium-Ionen-Akkus unterliegen den Anforderungen der Gefahrgut-Gesetzgebung.**

Für kommerzielle Transporte, z. B. durch Dritte oder Spediteure, müssen besondere Anforderungen zu Verpackung und Etikettierung beachtet werden.

Zur Vorbereitung des zu transportierenden Artikels ist eine Beratung durch einen Experten für Gefahrgut erforderlich. Bitte beachten Sie möglicherweise ausführlichere nationale Vorschriften. Überleben oder verdecken Sie offene Kontakte, und verpacken Sie den Akku so, dass er sich in

der Verpackung nicht umher bewegen kann.

11. Entfernen Sie den Akku zum Entsorgen vom Werkzeug, und entsorgen Sie ihn an einem sicheren Ort. Befolgen Sie die örtlichen Vorschriften bezüglich der Entsorgung von Akkus.
12. Verwenden Sie die Akkus nur mit den von Makita angegebenen Produkten. Das Einsetzen der Akkus in nicht konforme Produkte kann zu einem Brand, übermäßiger Hitzebildung, einer Explosion oder Auslaufen von Elektrolyt führen.
13. Soll das Werkzeug längere Zeit nicht benutzt werden, muss der Akku vom Werkzeug entfernt werden.
14. Bei und nach dem Gebrauch kann der Akku heiß werden, was Verbrennungen oder Niedertemperaturverbrennungen verursachen kann. Beachten Sie die Handhabung von heißen Akkus.
15. Berühren Sie nicht den Anschlusskontakt des Werkzeugs unmittelbar nach dem Gebrauch, da er heiß genug werden kann, um Verbrennungen zu verursachen.
16. Achten Sie darauf, dass sich keine Späne, Staub oder Schmutz in den Anschlusskontakten, Löchern und Nuten des Akkus absetzen. Es könnte sonst zu Erhitzung, Brandauslösung, Bersten und Funktionsstörungen des Werkzeugs oder des Akkus kommen, was zu Verbrennungen oder Personenschäden führen kann.
17. Wenn das Werkzeug den Einsatz in der Nähe einer Hochspannungs-Stromleitung nicht unterstützt, benutzen Sie den Akku nicht in der Nähe einer Hochspannungs-Stromleitung. Dies kann zu einer Funktionsstörung oder Betriebsstörung des Werkzeugs oder des Akkus führen.
18. Halten Sie die Batterie von Kindern fern.

## DIESE ANWEISUNGEN AUFBEWAHREN.

**⚠ VORSICHT:** Verwenden Sie nur Original-Makita-Akkus. Die Verwendung von Nicht-Original-Makita-Akkus oder von Akkus, die abgeändert worden sind, kann zum Bersten des Akkus und daraus resultierenden Bränden, Personenschäden und Beschädigung führen. Außerdem wird dadurch die Makita-Garantie für das Makita-Werkzeug und -Ladegerät ungültig.

## Hinweise zur Aufrechterhaltung der maximalen Akku-Nutzungsdauer

1. Laden Sie den Akku, bevor er vollkommen erschöpft ist. Schalten Sie das Werkzeug stets aus, und laden Sie den Akku, wenn Sie ein Nachlassen der Werkzeulleistung feststellen.
2. Unterlassen Sie erneutes Laden eines voll aufgeladenen Akkus. Überladen führt zu einer Verkürzung der Nutzungsdauer des Akkus.
3. Laden Sie den Akku bei Raumtemperatur zwischen 10 – 40 °C. Lassen Sie einen heißen

Akku abkühlen, bevor Sie ihn laden.

4. Wenn Sie den Akku nicht benutzen, nehmen Sie ihn vom Werkzeug oder Ladegerät ab.
5. Der Akku muss geladen werden, wenn er lange Zeit (länger als sechs Monate) nicht benutzt wird.

## FUNKTIONSBE-SCHREIBUNG

**⚠ VORSICHT:** Vergewissern Sie sich vor der Durchführung von Einstellungen oder Funktionsprüfungen des Gerätes stets, dass das Gerät ausgeschaltet ist und die Akkus abgenommen sind.

## Anbringen und Abnehmen des Akkus

**⚠ VORSICHT:** Schalten Sie stets das Gerät aus, bevor Sie den Akku anbringen oder abnehmen.

**⚠ VORSICHT:** Halten Sie das Gerät und den Akku beim Anbringen oder Abnehmen des Akkus sicher fest. Wenn Sie das Gerät und den Akku nicht sicher festhalten, können sie Ihnen aus der Hand rutschen, was zu einer Beschädigung des Gerätes und des Akkus und zu Personenschäden führen kann.

Um die Akkus zu installieren, richten Sie die Führungsfedern der Akkus auf die Nuten des Gehäuses aus und schieben Sie sie ein. Schieben Sie sie bis zum Anschlag ein, bis sie mit einem leisen Klick einrasten. Wenn Sie die roten Anzeigen sehen können, wie in der Abbildung gezeigt, sind sie nicht vollständig verriegelt.

Um die Akkus zu entfernen, schieben Sie sie aus dem Akkugehäuse, während Sie die Knöpfe vor den Akkus gedrückt halten.

► **Abb.1:** 1. Rote Anzeige 2. Knopf 3. Rechter Akku 4. Linker Akku

**⚠ VORSICHT:** Schieben Sie den Akku stets bis zum Anschlag ein, bis die rote Anzeige nicht mehr sichtbar ist. Anderenfalls kann er versehentlich aus dem Gerät herausfallen und Sie oder umstehende Personen verletzen.

**⚠ VORSICHT:** Unterlassen Sie Gewaltanwendung beim Anbringen des Akkus. Falls der Akku nicht reibungslos hineingleitet, ist er nicht richtig ausgerichtet.

Das Sauggerät verfügt über zwei Akkuschächte. Sie können je nach Ihren Bedürfnissen entweder mit zwei Akkus oder mit einem einzelnen Akku arbeiten.

### Mit zwei Akkus

Kontinuierlicher Antrieb mit zwei Akkus ermöglicht längere Laufzeit und effizientere Reinigung. Wenn der erste Akku leer wird, schaltet das Sauggerät automatisch auf die andere Stromquelle um, so dass es mit dem zweiten Akku weiterarbeitet.



**HINWEIS:** Der rechte Akkuschacht (bei Frontansicht des Sauggerätes) hat Vorrang vor dem linken Akkuschacht. Der linke Akkuschacht wird nur dann als Stromquelle identifiziert, wenn entweder kein Akku im rechten Akkuschacht installiert ist oder der Akku im rechten Akkuschacht leer wird.

**HINWEIS:** Sie können den Akku aus dem rechten Akkuschacht entnehmen und wieder aufladen, nachdem das Sauggerät seine Stromquelle vom rechten auf den linken Akkuschacht umgeschaltet hat, ohne den Betrieb zu unterbrechen. Um dem rechten Akkuschacht nach dem Installieren eines aufgeladenen Akkus wieder Vorrang zu geben, starten Sie das Sauggerät neu.

**HINWEIS:** Wenn das Sauggerät die Stromquelle vom ersten auf den zweiten Akku umschaltet, muss der Betrieb möglicherweise vorübergehend unterbrochen werden, was einen geringfügigen Verlust der Saugleistung verursacht. Dies ist keine Funktionsstörung, so dass sich das Sauggerät erholt und den Betrieb nach der Pause sofort wieder aufnimmt.

### Mit einem einzelnen Akku

Es wird nur ein Akku als Stromquelle im rechten oder linken Akkuschacht benötigt. Das Sauggerät bestimmt automatisch, welcher Akkuschacht verfügbar ist.

## Anzeigen der Akku-Restkapazität

Drücken Sie die Prüftaste am Akku, um die Akku-Restkapazität anzuzeigen. Die Anzeigelampen leuchten wenige Sekunden lang auf.

► **Abb.2:** 1. Anzeigelampen 2. Prüftaste

Anzeigelampen			Restkapazität
Erleuchtet	Aus	Blinkend	
			75% bis 100%
			50% bis 75%
			25% bis 50%
			0% bis 25%
			Den Akku aufladen.
			Möglicherweise liegt eine Funktionsstörung im Akku vor.

**HINWEIS:** Abhängig von den Benutzungsbedingungen und der Umgebungstemperatur kann die Anzeige geringfügig von der tatsächlichen Kapazität abweichen.

**HINWEIS:** Die erste (äußerste linke) Anzeigelampe blinkt, wenn das Akku-Schutzsystem aktiv ist.

## Anzeigen der Akku-Restkapazität an der Schalterbox

Die Akku-Restkapazität kann an der Schalterbox geprüft werden. Drücken Sie die Taste , um die Akku-Restkapazitäten anzuzeigen.

„L“ und „R“ auf der Schalterbox entsprechen dem linken bzw. rechten Akku. Beachten Sie die Anzeige, wenn Sie den Akku austauschen.

► **Abb.3:** 1. Akku-Anzeige 2. Akkukontroll-/LED-Leuchtentaste

Status der Akku-Anzeige			Akku-Restkapazität
Ein	Aus	Blinkend	
			50% bis 100%
			20% bis 50%
			0% bis 20%
			Akku aufladen

## Geräte-/Akku-Schutzsystem

Das Gerät ist mit einem Geräte-/Akku-Schutzsystem ausgestattet. Dieses System schaltet die Stromversorgung des Motors automatisch ab, um die Lebensdauer von Gerät und Akku zu verlängern. In dieser Situation leuchtet die Akku-Anzeige auf, wie in der folgenden Tabelle angegeben.

Status der Akku-Anzeige			Status
Ein	Aus	Blinkend	
			Überlastschutz (Akku)/Überhitzungsschutz (Akku)/Überentladungsschutz
			Überhitzungsschutz (Gerät)

Das Gerät bleibt während des Betriebs automatisch stehen, und die LED-Leuchte erlischt, wenn das Gerät oder der Akku einer der folgenden Bedingungen unterliegt:

### Überlastschutz

Wird das Gerät/der Akku in einer Weise betrieben, die eine ungewöhnlich hohe Stromaufnahme bewirkt, bleibt das Gerät automatisch stehen. Schalten Sie in dieser Situation das Gerät aus, und brechen Sie die Anwendung ab, die eine Überlastung des Gerätes verursacht hat. Schalten Sie dann das Gerät wieder ein,

um es neu zu starten.

## Überhitzungsschutz

Wenn das Gerät/der Akku überhitzt wird, bleibt das Gerät automatisch stehen. Lassen Sie in dieser Situation das Gerät/den Akku abkühlen, bevor Sie das Gerät wieder einschalten.

## Überentladungsschutz

Wenn die Akkukapazität niedrig wird, bleibt das Gerät automatisch stehen. Falls das Produkt trotz Betätigung der Schalter nicht funktioniert, entfernen Sie die Akkus vom Gerät, und laden Sie sie auf.

## Schutz gegen andere Ursachen

Das Schutzsystem ist auch für andere Ursachen ausgelegt, die eine Beschädigung des Gerätes verursachen könnten, und ermöglicht, dass das Gerät automatisch stehen bleibt. Führen Sie alle folgenden Schritte aus, um die Ursachen zu beseitigen, wenn das Gerät vorübergehend zum Stillstand gekommen ist oder im Betrieb stehen geblieben ist.

1. Schalten Sie das Gerät aus und dann wieder ein, um es neu zu starten.
2. Laden Sie den/die Akku(s) auf oder tauschen Sie ihn/sie gegen einen aufgeladenen Akku/aufgeladene Akkus aus.
3. Lassen Sie das Gerät und den/die Akku(s) abkühlen.

Falls die Wiederherstellung des Schutzsystems keine Besserung bringt, wenden Sie sich an Ihre lokale Makita-Kundendienststelle.

## Position der Schalterbox

Die Schalterbox kann auf beiden Seiten des unteren Gurts eingehängt werden. Ordnen Sie das Kabel so an, dass die Schalterbox auf Ihrer gewünschten Seite liegt. Um Beschädigung des Kabels zu verhindern, führen Sie das Kabel durch die Führungsnut, wie dargestellt.

► **Abb.4:** 1. Nut 2. Kabel

## Einstellen der Gurte

Die Straffheit der Schultergurte und des oberen und unteren Gurts kann eingestellt werden. Stecken Sie Ihre Arme zuerst durch die Schultergurte, und ziehen Sie dann den unteren und oberen Gurt straff. Zum Straffen ziehen Sie das Ende des Riemens, wie dargestellt. Zum Lockern ziehen Sie das Ende der Schnalle nach oben.

### Unterer Gurt

► **Abb.5:** 1. Riemen 2. Schnalle

### Schultergurte

► **Abb.6:** 1. Riemen 2. Schnalle

### Oberer Gurt

► **Abb.7:** 1. Riemen 2. Schnalle

## Tragegriff

Fassen Sie stets den Tragegriff zur Handhabung des Sauggerätes-Hauptteils.

► **Abb.8:** 1. Tragegriff

## Schalterfunktion

Zum Starten des Sauggerätes drücken Sie einfach die Taste **1**. Zum Ausschalten drücken Sie die Taste **1** erneut.

Durch Drücken der Taste **2** können Sie die Saugleistung des Sauggerätes in vier Stufen ändern. Mit jedem Drücken dieser Taste werden die Modi 1 bis 4 in einem Zyklus wiederholt.

► **Abb.9:** 1. Saugkraft-Umschalttaste **2**. EIN/AUS-Taste **1**

Stufe	Anzeige	Modus
1		Leisemodus
2		Normaldrehzahlmodus
3		Hochdrehzahlmodus
4		Maximaldrehzahlmodus

**HINWEIS:** Sie können die Saugkraft vor dem Einschalten des Staubsaugers ändern.

**HINWEIS:** Der Staubsauger beginnt den Betrieb mit der gleichen Saugkraft wie beim letzten Betrieb.

**HINWEIS:** Falls Sie den Akku unmittelbar nach dem Ausschalten des Gerätes entfernen, während der Motor sich dreht, kann es sein, dass das Sauggerät den Betrieb nicht mit der gleichen Saugkraft wie beim letzten Betrieb beginnt.

## LED-Leuchte

Eine LED-Leuchte ist in den Kopf der Schalterbox eingebaut, um die Bedienung an dunklen Orten zu erleichtern. Halten Sie die Taste **1** gedrückt, um die Leuchte einzuschalten. Zum Ausschalten halten Sie die Taste **1** erneut gedrückt.

► **Abb.10**

**⚠ VORSICHT:** Blicken Sie nicht direkt in die Lampe oder die Lichtquelle. Richten Sie das Licht niemals auf die Augen anderer Personen.

**HINWEIS:** Die LED-Leuchte wird automatisch ausgeschaltet, wenn das Sauggerät länger als 10 Minuten nicht bedient wird.

## Schlauchband

Das Schlauchband kann zur Sicherung des Schlauchs oder der flexiblen Gummidüse verwendet werden. Um den Schlauch am Sauggerätes-Hauptteil zu sichern, führen Sie das Schlauchband durch den Schlitz am Hauptteil. Das Schlauchband kann auf beiden Seiten angebracht werden.

► **Abb.11:** 1. Schlauchband 2. Schlitz 3. Schlauch

Die Schlaufen am unteren Gurt können zum Tragen von Düsen verwendet werden, wie dargestellt.

► **Abb.12:** 1. Schlaufe 2. Düse

## Schlauchhaken

Wenn Sie den Betrieb unterbrechen, kann der Haken an der gebogenen Rohreinheit zum Aufhängen des Saugrohrs am Aufhängeteil des unteren Gurtes verwendet werden.

► **Abb.13:** 1. Haken 2. Unterer Gurt 3. Aufhängeteil

## MONTAGE

**⚠ VORSICHT:** Vergewissern Sie sich vor der Ausführung von Arbeiten am Gerät stets, dass das Gerät ausgeschaltet und der Akku abgenommen ist.

## Montieren des Schlauchs

Führen Sie die Schlauchmanschette in den Sauggeräte-Hauptteil ein, und drehen Sie sie im Uhrzeigersinn.

► **Abb.14:** 1. Schlauchmanschette  
2. Sauggeräte-Hauptteil

## Verwendung als Saugerät

### Anbringen der gebogenen Rohreinheit

#### Sonderzubehör

**HINWEIS:** Sie brauchen dieses Verfahren nicht anzuwenden, wenn bei Ihrem Modell die gebogene Rohreinheit am Schlauch angebracht ist.

**HINWEIS:** Es gibt zwei Arten von gebogener Rohreinheit; die eine für das Klemmknopf-Verlängerungsrohr und die andere für das Klemmring-Verlängerungsrohr. Wenn Sie die gebogene Rohreinheit vorbereiten, wählen Sie diejenige für Ihren gewünschten Verlängerungsrohrtyp.

Die gebogene Rohreinheit wird verwendet, um das Verlängerungsrohr oder die Düse für Staubsaugen an dieses Produkt anzuschließen.

Wenn Sie dieses Produkt als Saugerät benutzen wollen, bringen Sie die gebogene Rohreinheit am Schlauch an.

#### Für die gebogene Rohreinheit in Schraubausführung

Um sie anzubringen, schrauben Sie die Frontmanschette vom Schlauch ab, und befestigen Sie die Manschette der gebogenen Rohreinheit am Schlauch.

Um sie abzunehmen, lösen Sie die Manschette der gebogenen Rohreinheit vom Schlauch.

► **Abb.15:** 1. Schlauch 2. Gebogene Rohreinheit  
3. Manschette

#### Für die gebogene Rohreinheit mit Schnappverschluss

Zum Anbringen führen Sie das Schlauchende in die gebogene Rohreinheit ein. Vergewissern Sie sich, dass die Nasen am Schlauchende in die Löcher der gebogenen Rohreinheit einrasten.

Zum Entfernen ziehen Sie die gebogene Rohreinheit, während Sie beide Zungen am Schlauchende drücken.

► **Abb.16:** 1. Schlauchende 2. Nase 3. Loch  
4. Gebogene Rohreinheit

## Zusammenbauen von Düse und Saugrohr

#### Sonderzubehör

**HINWEIS:** Die Art der Düse und des Saugrohrs, die im Lieferumfang des Produkts enthalten sind, hängt vom jeweiligen Land ab. In einigen Ländern sind Düse und Saugrohr nicht im Lieferumfang enthalten.

1. Führen Sie die Düse bei gleichzeitigem Drehen in das Verlängerungsrohr ein.

► **Abb.17:** 1. Verlängerungsrohr 2. Flexible Gummidüse 3. Spitzdüse 4. T-Düse

Bei Verwendung der T-Düse für Fußboden/Teppich-Umschaltung können Sie den Modus der Oberfläche entsprechend umschalten.

— Fußboden-Modus: geeignet für eine glatte Oberfläche, z. B. einen Hartboden

— Teppich-Modus: geeignet für eine Unterlage, z. B. einen Teppich oder Läufer

► **Abb.18:** 1. Modus-Umschalttaste 2. Fußboden-Modus 3. Teppich-Modus

**HINWEIS:** Durch Drehen der Düse beim Einführen kann die Düse sicher am Verlängerungsrohr angebracht werden.

**HINWEIS:** Für das Modell mit ø38-mm-Schlauch und Frontmanschette 38 bringen Sie die mitgelieferte Düse am gebogenen Aluminiumrohr / geraden Aluminiumrohr an.

2. Folgen Sie je nach Art des Verlängerungsrohrs den nachstehenden Verfahren:

**HINWEIS:** Das Klemmknopf-Verlängerungsrohr und das Klemmring-Verlängerungsrohr sind nicht miteinander kompatibel. Wenn Sie das Klemmknopf-Verlängerungsrohr gegen das Klemmring-Verlängerungsrohr oder umgekehrt austauschen wollen, müssen Sie auch die gebogene Rohreinheit austauschen.

#### Für das Klemmknopf-Verlängerungsrohr

Schultern Sie den Sauggeräte-Hauptteil, und führen Sie dann das Verlängerungsrohr in die gebogene Rohreinheit ein, bis sie mit einem Klicken einrastet. Zum Trennen ziehen Sie das Verlängerungsrohr bei gleichzeitigem Drücken des Knopfes heraus.

► **Abb.19:** 1. Gebogene Rohreinheit 2. Knopf  
3. Klemmknopf-Verlängerungsrohr  
4. Flexible Gummidüse

Die Länge des Saugrohrs ist einstellbar.

Stellen Sie die Saugrohrlänge ein, während Sie den Klemmknopf drücken. Beim Loslassen des Klemmknopfes wird die Länge verriegelt.

► **Abb.20:** 1. Klemmknopf

### Für das Klemmring-Verlängerungsrohr

Schultern Sie den Sauggeräte-Hauptteil, und führen Sie dann das Verlängerungsrohr bei gleichzeitigem Drehen in die gebogene Rohreinheit ein. Zum Trennen ziehen Sie es bei gleichzeitigem Drehen heraus.

► **Abb.21:** 1. Gebogene Rohreinheit 2. Klemmring-Verlängerungsrohr 3. Flexible Gummidüse

**HINWEIS:** Die flexible Gummidüse kann ohne Rohrverriegelung direkt an der gebogenen Rohreinheit angebracht werden.

Die Länge des Saugrohrs ist einstellbar.

Lösen Sie den Ring am Saugrohr, und stellen Sie die Länge des Saugrohrs ein. Ziehen Sie den Ring an der gewünschten Länge fest.

► **Abb.22:** 1. Ring

### Für das gebogene Aluminiumrohr/gerade Aluminiumrohr

(Nur für das Modell mit  $\varnothing 38$ -mm-Schlauch und Frontmanschette 38)

Schultern Sie den Sauggeräte-Hauptteil, und führen Sie dann das Rohr bei gleichzeitigem Drehen in die Frontmanschette ein. Zum Trennen ziehen Sie es bei gleichzeitigem Drehen heraus.

► **Abb.23:** 1. Frontmanschette 38 2. Gebogenes Aluminiumrohr 3. Gerades Aluminiumrohr 4. T-Düse

### Für die zwei geraden Aluminiumrohre

Schultern Sie den Sauggeräte-Hauptteil, und führen Sie dann die Rohre bei gleichzeitigem Drehen ein. Zum Trennen ziehen Sie es bei gleichzeitigem Drehen heraus.

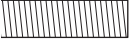
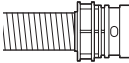
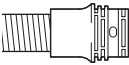
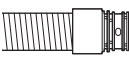
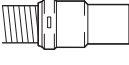
► **Abb.24:** 1. Gebogene Rohreinheit 2. Gerades Aluminiumrohr 1 3. Gerades Aluminiumrohr 2

## Anschließen des Werkzeugs

**HINWEIS:** Falls die gebogene Rohreinheit am Schlauch angebracht ist, entfernen Sie sie vorher.

Um ein Werkzeug an das Sauggerät anzuschließen, sind der dedizierte Schlauch und/oder zusätzliche Teile erforderlich. Je nach Ihrem Sauggerätemodell müssen Sie eventuell den Schlauch austauschen und/oder zusätzliche Teile vorbereiten.

Einzelheiten dazu in der nachstehenden Tabelle.

Durchmesser des mitgelieferten Schlauchs	Schlauchentyp	Aktion
$\varnothing 28$ mm	 ohne Teil	Bringen Sie die Frontmanschette an.
	 mit Schnappverschlussstück	Ersetzen Sie das Schlauchende (Schnappverschlussstück) durch die Frontmanschette. Das Schlauchende kann durch Drehen entgegen dem Uhrzeigersinn abgenommen werden.
$\varnothing 32$ mm	 mit Schnappverschlussstück	Ersetzen Sie den Schlauch durch einen für Staubabsaugung ( $\varnothing 28$ mm, mit Frontmanschette).
$\varnothing 38$ mm	 mit Schnappverschlussstück	Ersetzen Sie den Schlauch durch einen für Staubabsaugung ( $\varnothing 28$ mm, mit Frontmanschette).
	 mit Frontmanschette 38	Bringen Sie die Verbindungsmuffe 22-38 oder die Frontmanschette 24 an.

**HINWEIS:** Verwenden Sie stets eine geeignete Frontmanschette. Wenn Sie die Frontmanschette 24 benutzen, stecken Sie sie auf die mit dem Schlauch verbundene Frontmanschette 22.

► **Abb.25:** 1. Frontmanschette 22  
2. Frontmanschette 24

## Bei Verwendung des $\varnothing 28$ -mm-Staubabsaugschlauchs

1. Bringen Sie die Frontmanschette an dem Schlauch für Staubabsaugung an. Vergewissern Sie sich beim Anschließen der Frontmanschette, dass sie sicher auf den Schlauch geschraubt ist.

2. Verbinden Sie die Frontmanschette mit dem Absaugstutzen des Werkzeugs.

► **Abb.26:** 1. Frontmanschette 2. Absaugstutzen

### 3. Schlauch

Die Frontmanschette kann durch Drehen entgegen dem Uhrzeigersinn gelöst werden, während der Schlauch festgehalten wird.

## Bei Verwendung des ø38-mm-Schlauchs mit Frontmanschette 38

1. Führen Sie die Verbindungsmuffe oder die Frontmanschette bei gleichzeitigem Drehen je nach dem anzuschließenden Werkzeug in den Einlassteil des Schlauchs ein.
2. Verbinden Sie die Frontmanschette mit dem Absaugstutzen des Werkzeugs.  
▶ **Abb.27:** 1. Verbindungsmuffe 2. Frontmanschette 3. Absaugstutzen 4. Schlauch

Um die Verbindungsmuffe und die Frontmanschette zu entfernen, wenden Sie das Montageverfahren umgekehrt an.

## Installieren von Filterbeutel/ Staubsack

### Sonderzubehör

**⚠ VORSICHT:** Verwenden Sie keinen beschädigten Filterbeutel. Verwenden Sie das Sauggerät stets mit ordnungsgemäß montiertem Filterbeutel. Anderenfalls können aufgesaugter Staub oder Partikel vom Sauggerät entweichen und die Atemwege des Bedieners angreifen.

Setzen Sie vor der Benutzung des Staubsaugers entweder den Staubsack oder den Filterbeutel ein.

- Der Staubsack kann durch Entleeren viele Male wieder verwendet werden.
- Der Filterbeutel ist ein Wegwerfartikel. Werfen Sie den ganzen Filterbeutel weg, ohne ihn zu entleeren, wenn er voll geworden ist.

**ANMERKUNG:** Wenn der Filterbeutel bereits voll ist, wechseln Sie ihn gegen einen neuen aus. Wenn der Staubsack bereits voll ist, leeren Sie ihn. Fortgesetzter Gebrauch mit vollem Filterbeutel/ Staubsack führt zu reduzierter Saugkraft.

**ANMERKUNG:** Um Eindringen von Staub in den Motor zu verhindern:

- Vergewissern Sie sich vor der Benutzung stets, dass der Filterbeutel/Staubsack eingesetzt ist.
- Verwenden Sie keinen beschädigten oder zerrissenen Beutel.

Anderenfalls kann der Motor beschädigt werden.

**ANMERKUNG:** Unterlassen Sie Falten des Kartons an seiner Öffnung, wenn Sie den Filterbeutel/Staubsack einsetzen.

**ANMERKUNG:** Der Filterbeutel/Staubsack für den Staubsauger ist ein wichtiges Teil zur Aufrechterhaltung der Geräteleistung. Die Verwendung eines nicht originalen Filterbeutels/ Staubsacks kann Rauchbildung oder Entflammung verursachen.

**HINWEIS:** Wenn der Filterbeutel/Staubsack nicht im Staubsauger eingesetzt ist, lässt sich die Frontabdeckung nicht vollständig schließen.

### ▶ Abb.28

1. Entriegeln Sie den Hebel, und öffnen Sie die Frontabdeckung.

▶ **Abb.29:** 1. Hebel 2. Frontabdeckung

2. Führen Sie den Filterbeutel in den Schlitz an der Oberseite des Raums ein, wie dargestellt.

▶ **Abb.30:** 1. Schlitz 2. Filterbeutel

Wenn Sie den Staubsack verwenden, führen Sie den Rand des Staubsacks in den Schlitz ein.

▶ **Abb.31:** 1. Schlitz 2. Rand 3. Staubsack

3. Richten Sie die Öffnung des Filterbeutels auf die Schlauchmanschette aus, und schieben Sie den Kartonteil bis zum Anschlag. Vergewissern Sie sich, dass der Gummiring am Filterbeutel über der Randlippe der Schlauchmanschette liegt.

▶ **Abb.32:** 1. Gummiring am Filterbeutel 2. Randlippe an Schlauchmanschette 3. Kartonteil des Filterbeutels 4. Schlauchmanschette

4. Verriegeln Sie die Frontabdeckung sicher.

**⚠ VORSICHT:** Achten Sie beim Einhaken der Klinke und beim Schließen der Frontabdeckung darauf, dass Sie Ihre Finger nicht einklemmen.

## Tragegurthülle

### Sonderzubehör

Wenn Sie die Tragegurthülle benutzen, gehen Sie wie folgt vor, um sie anzubringen.

**HINWEIS:** Verwechseln Sie beim Installieren der Tragegurthülle nicht die Vorder- und Rückseite der Tragegurthülle.

**HINWEIS:** Die Tragegurthülle ist waschbar. Beachten Sie die Anweisungen zum Waschen auf dem Etikett.

### ▶ Abb.33

1. Legen Sie die Tragegurthülle auf den Tragegurt.

▶ **Abb.34**

2. Sichern Sie die Schulterriemen des Tragegurts mit den Klettverschlüssen der Tragegurthülle. Haken Sie das Band der Tragegurthülle am Tragegurt ein.

▶ **Abb.35**

## BETRIEB

**⚠ WARNUNG:** Die Bediener müssen im Gebrauch des Sauggerätes hinreichend unterwiesen werden.




**⚠ WARNUNG:** Dieses Sauggerät eignet sich nicht zum Aufsammeln von gefährlichem Staub.

**⚠ VORSICHT:** Dieses Sauggerät ist nur für Trockengebrauch vorgesehen.

**⚠ VORSICHT:** Während des Betriebs sollten Sie sich des Sauggerätes auf Ihrem Rücken bewusst sein. Sie können Ihr Gleichgewicht verlieren, falls der Sauggeräte-Hauptteil gegen eine Wand stößt oder der Schlauch an einem Hindernis hängen bleibt.

1. Schultern Sie den Sauggeräte-Hauptteil, und ziehen Sie den oberen und unteren Gurt straff. Stellen Sie die Straffheit bei Bedarf ein.

► **Abb.36**

2. Drücken Sie die Taste , um den Saugbetrieb zu starten. Wenn Sie die Saugkraft ändern wollen, drücken Sie die Taste , bis die gewünschte Saugkraft erreicht ist. Drücken Sie die Taste , um den Saugbetrieb zu stoppen.

► **Abb.37**

Hängen Sie die Schalterbox während des Betriebs an den D-Ring oder den Aufhängeteil am unteren Gurt. Der Haken kann für Vorwärtsbeleuchtung schräg gestellt werden, wenn er in den Aufhängeteil eingehakt ist.

► **Abb.38:** 1. D-Ring 2. Aufhängeteil

3. Wechseln Sie den Filterbeutel aus, wenn er voll wird. Öffnen Sie die Frontabdeckung, und nehmen Sie den Filterbeutel heraus. Ziehen Sie den Streifen an der Seite der Öffnung, um den Filterbeutel zu verschließen, und entsorgen Sie den ganzen Filterbeutel.

► **Abb.39:** 1. Streifen

Wenn Sie einen Staubsack benutzen, nehmen Sie den Staubsack heraus, und entleeren Sie ihn durch Lösen der Klinke.

► **Abb.40:** 1. Klinke

**ANMERKUNG:** Legen Sie nicht den Filterbeutel/ Staubsack oder andere schwere Gegenstände auf die Frontabdeckung. Das Gerät kann sonst herunterfallen.

**ANMERKUNG:** Überprüfen Sie den Filterbeutel regelmäßig, ob der Filter voll ist oder nicht.

Fortgesetzter Gebrauch mit vollem Filterbeutel führt zu reduzierter Saugkraft.

**ANMERKUNG:** Verwenden Sie keinen gebrauchten Filterbeutel. Der Filterbeutel ist für Einmalgebrauch ausgelegt. Wiederholter Gebrauch des Filterbeutels kann Verstopfung des Filters verursachen und zu einer Beschädigung des Sauggerätes führen. Verwenden Sie für wiederholten Gebrauch einen Staubsack.

## WARTUNG

**⚠ VORSICHT:** Vergewissern Sie sich vor der Durchführung von Inspektions- oder Wartungsarbeiten stets, dass das Gerät ausgeschaltet und der Akku abgenommen ist.

**ANMERKUNG:** Verwenden Sie auf keinen Fall Benzin, Waschbenzin, Verdünner, Alkohol oder dergleichen. Solche Mittel können Verfärbung, Verformung oder Rissbildung verursachen.

Um die SICHERHEIT und ZUVERLÄSSIGKEIT dieses Produkts zu gewährleisten, sollten Reparaturen und andere Wartungs- oder Einstellarbeiten nur von Makita-Vertragswerkstätten oder Makita-Kundendienstzentren unter ausschließlicher Verwendung von Makita-Originalersatzteilen ausgeführt werden.

## Reinigen des HEPA-Filters

**⚠ VORSICHT:** Benutzen Sie das Sauggerät nicht ohne einen Filter oder mit einem verschmutzten oder beschädigten Filter. Es besteht sonst die Gefahr, dass aufgesaugter Staub oder Partikel vom Sauggerät entweichen und die Atemwege des Bedieners angreifen.

**ANMERKUNG:** Um optimale Saugkraft und saubere Abluft aufrechtzuerhalten, reinigen Sie den Filter regelmäßig. Falls trotz einer Reinigung keine ausreichende Saugkraft erzielt wird, ersetzen Sie den Filter durch einen neuen.

**ANMERKUNG:** Um eine Beschädigung des Filters zu verhindern, verwenden Sie nicht die folgenden Werkzeuge und ähnliche Gegenstände zum Reinigen:

- Druckluftspray
- Hochdruckreiniger
- Aus harten Materialien hergestellte Werkzeuge, wie z. B. eine Drahtbürste

1. Öffnen Sie die Frontabdeckung, und nehmen Sie den Filterbeutel/Staubsack heraus. Lösen Sie den Haken am Filter, und nehmen Sie den Filter aus dem Sauggeräte-Hauptteil heraus.

► **Abb.41:** 1. Haken 2. HEPA-Filter

2. Klopfen Sie den Filter aus, um Staub zu entfernen. Der Filter kann mit Wasser gewaschen werden. Spülen Sie Staub und Partikel am Filter alle 1 oder 2 Monate ab. Lassen Sie den Filter anschließend an einem schattigen und gut belüfteten Ort vollkommen trocknen, um unangenehmen Geruch oder Funktionsstörungen zu verhindern.

3. Um den Filter einzusetzen, führen Sie die Seite ohne die Haken in die Führungsnut ein, und drücken Sie dann den Filter hinein, bis die Haken mit einem Klicken einrasten.

► **Abb.42:** 1. Nut 2. HEPA-Filter 3. Haken

## Reinigen des Schwammfilters

**⚠ VORSICHT:** Installieren Sie die Schwammfilter nach der Reinigung unbedingt wieder im Sauggerät. Falls sie mit Wasser gewaschen wurden, trocknen Sie sie vor dem Installieren gründlich ab. Unzureichend getrocknete Schwammfilter können die Lebensdauer des Motors verkürzen.

Schwammfilter unterhalb des HEPA-Filters verhindern,

dass Staub in den Motor gelangt.

1. Entfernen Sie die Schwammfilter aus dem Sauggerät.

► **Abb.43:** 1. Schwammfilter

2. Wischen Sie die Schwammfilter mit der Hand ab, und schütteln Sie den Staub ab. Wenn die Schwammfilter verstopft sind, waschen Sie sie in Seifenwasser aus.

► **Abb.44**

3. Installieren Sie die Schwammfilter in ihrer Ausgangsposition.

## Reinigen des Staubsacks

Reinigen Sie den Staubsack regelmäßig mit Seife und Wasser. Stülpen Sie den Staubsack um, und entfernen Sie den klebrigen Staub. Waschen Sie den Staubsack leicht von Hand aus, und spülen Sie ihn gut mit Wasser ab. Lassen Sie den Staubsack vollkommen trocknen, bevor Sie ihn in das Sauggerät einsetzen.

► **Abb.45**

**ANMERKUNG:** Ein nasser Staubsack verringert die Saugleistung sowie die Lebensdauer des Motors.

## Beseitigen einer Verstopfung

Wenn Sie eine Verstopfung beseitigen, entfernen Sie den Schlauch oder das Verlängerungsrohr bzw. die gebogene Rohreinheit, um die Innenseite zu überprüfen.

Siehe den Abschnitt über das Anbringen der gebogenen Rohreinheit.

## Reinigen des Raums für den Filterbeutel/Staubsack

Dieses Gerät ist mit einem Staubabschüttelsystem ausgestattet. Wenn Sie beim Tragen des Sauggerätes gehen, vibrieren Federn unter dem Brett und schütteln den Staub vom Filterbeutel/Staubsack ab.

Wenn Sie den Raum für den Filterbeutel/Staubsack reinigen, entfernen Sie die Platte im Inneren, und wischen Sie sie ab.

► **Abb.46:** 1. Platte

## Entfernen der Platte

1. Nehmen Sie den HEPA-Filter ab. Angaben zum Abnahmeverfahren finden Sie in dem Abschnitt zum Reinigen des HEPA-Filters.

2. Drücken Sie die Platte nach unten, und schieben Sie sie nach links, bis sie die Wand berührt.

3. Heben Sie die rechte Seite der Platte an, und nehmen Sie sie heraus.

► **Abb.47:** 1. Platte

Die Platte wird von drei Federn abgestützt. Falls sich die Federn von den Vorsprüngen gelöst haben, bringen Sie sie wie abgebildet wieder an.

► **Abb.48:** 1. Lange Feder 2. Kurze Feder  
3. Vorsprung

**HINWEIS:** Bringen Sie die Federn sicher an, so dass sie den Ansatz der Vorsprünge berühren.

## Anbringen der Platte

1. Führen Sie die gerade Seite der Platte in die Klinken auf der unteren linken Seite des Raums ein.

2. Setzen Sie die rechte Seite der Platte ein.

► **Abb.49:** 1. Platte 2. Gerade Seite 3. Klinken

## ZYKLONAUFSATZ

### Sonderzubehör

**HINWEIS:** Wenn Sie den Zyklonaufsatz mit diesem Gerät verwenden, ist auch das gebogene Rohr erforderlich.

► **Abb.50:** 1. Zyklonaufsatz

### Info zum Zyklonaufsatz

Wird der Staubsauger mit installiertem Zyklonaufsatz verwendet, so wird die Staubmenge, die in den Staubsack gelangt, reduziert, was dazu beiträgt, eine Abschwächung der Saugkraft zu verhindern. Außerdem wird die Reinigung nach dem Gebrauch ebenfalls vereinfacht.

**⚠ VORSICHT:** Vergewissern Sie sich vor der Ausführung von Arbeiten am Werkzeug stets, dass das Werkzeug ausgeschaltet und der Akku abgenommen ist. Wird der Akku eingesetzt gelassen, kann der Staubsauger unerwartet anlaufen, was zu Verletzungen führen kann.

**⚠ VORSICHT:** Reinigen Sie den Netzfilter des Zyklonaufsatzes und den Staubsack der Staubsaugereinheit, wenn sie verstopft werden. Fortgesetzter Gebrauch im verstopften Zustand kann zu Erhitzung oder Rauchbildung führen.

**ANMERKUNG:** Wenn der Zyklonaufsatz angebracht ist, verwenden Sie ihn nicht im horizontalen oder nach oben gerichteten Zustand. Anderenfalls kann der Netzfilter verstopft werden.

**ANMERKUNG:** Benutzen Sie den Staubsauger selbst bei Verwendung des Zyklonaufsatzes immer mit installiertem Staubsack. Wird der Staubsauger ohne den Staubsack benutzt, kann es zu einer Funktionsstörung des Motors kommen.

**HINWEIS:** Stellen Sie vor Gebrauch sicher, dass Zykloaufsatz, Staubsauger und gerades Rohr einwandfrei verriegelt sind.

**HINWEIS:** Entleeren Sie den Staubsammelbehälter des Zykloaufsatzes und den Staubsack des Staubsaugers, wenn Staub sich angesammelt hat. Fortgesetzter Gebrauch führt zu einer Abschwächung der Saugkraft.

**HINWEIS:** Sie können den Zykloaufsatz mit oder ohne Verriegelungsfunktion verwenden.

**HINWEIS:** Informationen zum Montieren oder Demontieren des Zykloaufsatzes finden Sie im Abschnitt "Verwendung als Staubsauger".

## Staubentleerung

Wenn Staub sich bis zur Voll-Linie des Staubsammelbehälters angesammelt hat, entsorgen Sie den Staub nach dem folgenden Verfahren.

1. Halten Sie den Staubsammelbehälter mit festem Griff, während Sie die zwei Knöpfe gedrückt halten, und entfernen Sie den Staubsammelbehälter.

► **Abb.51:** 1. Voll-Linie 2. Staubsammelbehälter 3. Knopf (zwei Stellen) 4. Netzfilter

2. Entsorgen Sie den Staub im Staubsammelbehälter, und entfernen Sie jeglichen an der Oberfläche des Netzfilters haftenden Staub und Pulver.

3. Führen Sie den Staubsammelbehälter vollständig ein, bis die zwei Knöpfe mit einem Klicken einrasten.

► **Abb.52:** 1. Staubsammelbehälter 2. Knopf (zwei Stellen)

**HINWEIS:** Stellen Sie vor dem erneuten Starten des Betriebs sicher, dass Zykloaufsatz, Staubsauger und gerades Rohr einwandfrei verriegelt sind.

**HINWEIS:** Falls die Saugkraft selbst nach der Entsorgung des Staubs und der Reinigung des Netzfilters nicht wiederhergestellt wird, prüfen Sie, ob Staub sich im Staubsack des Staubsaugers angesammelt hat, oder ob eine Verstopfung aufgetreten ist.

## Reinigen

Wenn der Staubsammelbehälter schmutzig wird oder der Netzfilter verstopft ist, entfernen Sie die Teile, und waschen Sie sie mit Wasser. (Angaben zum Demontageverfahren finden Sie unter „Staubentleerung“.)

Lassen Sie die Teile gründlich trocknen, bevor Sie sie wieder installieren und benutzen.

► **Abb.53:** 1. Staubsammelbehälter 2. Netzfilter

Wenn der Netzfilter stark verschmutzt wird, reinigen Sie ihn nach den folgenden Verfahren.

1. Drehen Sie den Netzfilter entgegen dem Uhrzeigersinn, und entfernen Sie ihn bei entriegelten Rasten.

► **Abb.54:** 1. Netzfilter 2. Raste

2. Entfernen Sie den Staub am Netzfilter, und waschen Sie ihn dann mit Wasser. Lassen Sie ihn danach gründlich trocknen.

3. Führen Sie den Netzfilter in die Basis ein, während die Rasten auf den Anschluss ausgerichtet sind. Drehen Sie den Netzfilter im Uhrzeigersinn, bis die Rasten mit einem Klicken einrasten. Vergewissern Sie sich, dass der Netzfilter sicher installiert ist.

► **Abb.55:** 1. Netzfilter 2. Raste 3. Anschluss

## SONDERZUBEHÖR

**⚠ VORSICHT:** Die folgenden Zubehörteile oder Vorrichtungen werden für den Einsatz mit dem in dieser Anleitung beschriebenen Makita-Produkt empfohlen. Die Verwendung anderer Zubehörteile oder Vorrichtungen kann eine Verletzungsgefahr darstellen. Verwenden Sie Zubehörteile oder Vorrichtungen nur für ihren vorgesehenen Zweck.

Abhängig von der Kombination der Teile sind einige Zubehörteile möglicherweise nicht installiert. Wenn Sie weitere Einzelheiten bezüglich dieser Zubehörteile benötigen, wenden Sie sich bitte an Ihre Makita-Kundendienststelle.

- Schlauch (für Sauggerätetyp)
- Schlauch (für Staubabsaugungstyp)
- Verlängerungsrohr
- Flexible Gummidüse
- T-Düse
- Sitzdüse
- Spitzdüse
- Regalbürste
- Rundbürste
- Gebogene Rohreinheit
- Filterbeutel
- Staubsack
- Frontmanschette
- HEPA-Filter
- Rohr
- Tragegurthülle
- Zykloaufsatz
- Original-Makita-Akku und -Ladegerät

**HINWEIS:** Manche Teile in der Liste können als Standardzubehör im Werkzeugsatz enthalten sein. Sie können von Land zu Land unterschiedlich sein.



## AVVERTENZA

- La presente macchina non è destinata all'utilizzo da parte di persone, inclusi i bambini, dalle capacità fisiche, sensoriali o mentali ridotte, o prive di esperienza e preparazione.
- I bambini vanno tenuti sotto controllo per accertarsi che non giochino con l'aspiratore.
- Per il riferimento sul tipo di batteria, vedere il capitolo "DATI TECNICI".
- Per istruzioni su come rimuovere o installare la batteria, vedere la sezione "Installazione o rimozione della cartuccia della batteria".
- Quando si intende smaltire la cartuccia della batteria, rimuoverla dall'utensile e smaltirla in un luogo sicuro. Attenersi alle normative locali relative allo smaltimento della batteria.
- Se l'utensile non viene utilizzato per un periodo di tempo prolungato, la batteria deve essere rimossa dall'utensile.
- Non cortocircuitare la cartuccia della batteria.
- Per i dettagli appropriati relativi alle precauzioni durante la manutenzione da parte dell'utente, vedere il capitolo "MANUTENZIONE".

## DATI TECNICI

<b>Modello:</b>		<b>VC011G</b>
Capacità	Sacchetto filtro	6,0 L
	Sacchetto polveri	5,5 L
Volume d'aria massimo (Con tubo flessibile da ø32 mm x 1,0 m)		2,4 m <sup>3</sup> /min
Pressione di vuoto		20 kPa
Dimensioni (L x P x A) (Imbracatura esclusa, BL4050F inclusa)		336 mm x 185 mm x 543 mm
Tensione nominale		36 V - 40 V CC max
Peso netto		6,4 - 9,5 kg

- A causa del nostro programma continuativo di ricerca e sviluppo, i dati tecnici sono soggetti a modifiche senza preavviso.
- I dati tecnici possono variare da una nazione all'altra.
- Il peso non comprende gli accessori ma comprende la cartuccia della batteria o le cartucce delle batterie. Nella tabella sono indicati il peso combinato minimo e massimo dell'apparecchio insieme alla cartuccia della batteria o alle cartucce delle batterie.
- La lunghezza del tubo flessibile fornito in dotazione varia a seconda delle nazioni.

## Cartuccia della batteria e caricabatterie applicabili

Cartuccia della batteria	BL4020 / BL4025 / BL4040 / BL4040F / BL4050F / BL4080F
Caricabatterie	DC40RA / DC40RB / DC40RC / DC40WA

- Alcune cartucce delle batterie e alcuni caricabatterie elencati sopra potrebbero non essere disponibili a seconda della propria area geografica di residenza.

**⚠AVVERTIMENTO:** Utilizzare solo le cartucce delle batterie e i caricabatterie elencati sopra. L'utilizzo di altre cartucce delle batterie e di altri caricabatterie potrebbe causare lesioni personali e/o un incendio.

**⚠AVVERTIMENTO:** Non utilizzare un alimentatore con cavo, ad esempio un adattatore per batterie o un gruppo di alimentazione portatile, insieme a questo elettrodomestico. Il cavo di un alimentatore di questo tipo potrebbe interferire con il funzionamento e risultare in lesioni personali.

## Simboli

Le figure seguenti mostrano i simboli utilizzati per l'apparecchio. Accertarsi di comprenderne il significato

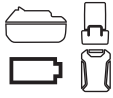
prima dell'uso.



Leggere il manuale d'uso.



Adottare cura e attenzione particolari.



Una batteria rappresentativa idonea per questo prodotto.



Solo per le nazioni dell'EU  
A causa della presenza di componenti pericolosi nelle apparecchiature, i rifiuti di apparecchiature elettriche ed elettroniche, accumulatori e batterie potrebbero produrre un impatto negativo sull'ambiente e sulla salute umana.  
Non smaltire elettrodomestici elettrici ed elettronici o batterie insieme ai rifiuti domestici!  
In conformità alla direttiva europea sui rifiuti di apparecchiature elettriche ed elettroniche (RAEE), sugli accumulatori e le batterie, nonché sui rifiuti di accumulatori e batterie, e al suo adattamento alle normative nazionali, i rifiuti di apparecchiature elettriche ed elettroniche, batterie e accumulatori vanno conservati separatamente e conferiti a un punto di raccolta separato per i rifiuti comunali, operando in conformità alle normative per la protezione dell'ambiente.  
Tale requisito viene indicato mediante il simbolo del bidone della spazzatura con ruote barrato apposto sull'apparecchio.

## Utilizzo previsto

Questo apparecchio è progettato per la raccolta delle polveri secche. L'apparecchio è idoneo a usi commerciali, ad esempio in hotel, scuole, ospedali, fabbriche, negozi, uffici e noleggi.

## Rumore

Livello tipico di rumore pesato A determinato in base allo standard EN60335-2-69:  
Livello di pressione sonora ( $L_{pA}$ ): 70 dB (A) o inferiore  
Incertezza (K): 2,5 dB (A)

Il livello del rumore nelle condizioni di lavoro può superare gli 80 dB (A).

**NOTA:** Il valore o i valori dichiarati delle emissioni di rumori sono stati misurati in conformità a un metodo standard di verifica, e possono essere utilizzati per confrontare un utensile con un altro.

**NOTA:** Il valore o i valori dichiarati delle emissioni di rumori possono venire utilizzati anche per una valutazione preliminare dell'esposizione.

**AVVERTIMENTO:** Indossare protezioni per le orecchie.

**AVVERTIMENTO:** L'emissione di rumori durante l'utilizzo effettivo dell'utensile elettrico può variare rispetto al valore o ai valori dichiarati, a seconda dei modi in cui viene utilizzato l'utensile e specialmente a seconda di che tipo di pezzo venga lavorato.

**AVVERTIMENTO:** Accertarsi di identificare misure di sicurezza per la protezione dell'operatore che siano basate su una stima dell'esposizione nelle condizioni effettive di utilizzo (tenendo conto di tutte le parti del ciclo operativo, ad esempio del numero di spegnimenti dell'utensile e di quando giri a vuoto, oltre al tempo di attivazione).

## Vibrazioni

Valore totale delle vibrazioni (somma vettoriale triassiale) determinato in base allo standard EN60335-2-69:  
Modalità di lavoro: funzionamento a vuoto  
Emissione di vibrazioni ( $a_{hv}$ ): 2,5  $m/s^2$  o inferiore  
Incertezza (K): 1,5  $m/s^2$

**NOTA:** Il valore o i valori complessivi delle vibrazioni dichiarati sono stati misurati in conformità a un metodo standard di verifica, e possono essere utilizzati per confrontare un utensile con un altro.

**NOTA:** Il valore o i valori complessivi delle vibrazioni dichiarati possono venire utilizzati anche per una valutazione preliminare dell'esposizione.

**AVVERTIMENTO:** L'emissione delle vibrazioni durante l'utilizzo effettivo dell'utensile elettrico può variare rispetto al valore o ai valori dichiarati, a seconda dei modi in cui viene utilizzato l'utensile, specialmente a seconda di che tipo di pezzo venga lavorato.

**AVVERTIMENTO:** Accertarsi di identificare misure di sicurezza per la protezione dell'operatore che siano basate su una stima dell'esposizione nelle condizioni effettive di utilizzo (tenendo conto di tutte le parti del ciclo operativo, ad esempio del numero di spegnimenti dell'utensile e di quando giri a vuoto, oltre al tempo di attivazione).

## Dichiarazioni di conformità

*Solo per i paesi europei*

Le Dichiarazioni di conformità sono incluse nell'Allegato A al presente manuale d'uso.

# AVVERTENZE DI SICUREZZA

## Avvertenze di sicurezza dell'aspirapolvere a batteria

**⚠ AVVERTIMENTO: IMPORTANTE! LEGGERE CON ATTENZIONE tutte le avvertenze di sicurezza e tutte le istruzioni PRIMA DELL'USO.** La mancata osservanza delle avvertenze e delle istruzioni potrebbe risultare in scosse elettriche, incendi e/o gravi lesioni personali.

1. Prima dell'uso, accertarsi che il presente aspiratore venga utilizzato esclusivamente da personale che sia stato istruito in modo adeguato sull'utilizzo del presente aspiratore.
2. Non utilizzare l'aspiratore senza il filtro. Sostituire immediatamente un filtro danneggiato.
3. Non tentare di raccogliere materiali infiammabili, fuochi d'artificio, sigarette accese, ceneri calde, schegge di metallo roventi, materiali affilati quali rasoi, aghi, vetri rotti o simili.
4. **NON UTILIZZARE MAI L'ASPIRATORE IN PROSSIMITÀ DI BENZINA, GAS, VERNICI, ADESIVI O ALTRE SOSTANZE ALTAMENTE ESPLOSIVE.** L'interruttore emette delle scintille quando viene attivato e disattivato. Anche il commutatore del motore emette scintille durante l'uso. Di conseguenza, potrebbe verificarsi un'esplosione pericolosa.
5. Questo aspiratore non è idoneo all'aspirazione di polveri pericolose.
6. Non aspirare mai materiali tossici, cancerogeni, combustibili o altri materiali pericolosi quali amianto, arsenico, bario, berillio, piombo, pesticidi o altri materiali nocivi.
7. Non utilizzare mai l'aspiratore all'aperto sotto la pioggia.
8. Per la Finlandia, questa macchina non va utilizzata all'aperto a basse temperature.
9. Non utilizzare in prossimità di fonti di calore (cucine, e così via).
10. Non ostruire le feritoie di ventilazione. Tali feritoie consentono il raffreddamento del motore. Le ostruzioni vanno evitate con cura; in caso contrario, il motore si brucia a causa della mancanza di ventilazione.
11. Mantenere sempre un corretto appoggio sui piedi e l'equilibrio.
12. Non piegare, tirare o calpestare il tubo flessibile.
13. Arrestare immediatamente l'aspiratore qualora si notino prestazioni scadenti o qualsiasi anomalia durante l'uso.
14. **SCOLLEGARE LE BATTERIE** quando non si utilizza l'apparecchio, prima di interventi di assistenza e quando si intende sostituire gli accessori.
15. Pulire e sottoporre a manutenzione l'aspiratore subito dopo ciascun utilizzo per mantenerlo in condizioni operative ottimali.
16. **SOTTOPORRE A MANUTENZIONE L'ASPIRATORE CON CURA.** Mantenere l'aspiratore pulito per prestazioni migliori e più sicure. Seguire le istruzioni per la sostituzione degli accessori. Mantenere le maniglie pulite, asciutte e prive di olio e grasso.
17. **CONTROLLARE L'EVENTUALE PRESENZA DI PARTI DANNEGGIATE.** Prima di utilizzare ulteriormente l'aspiratore, controllare con cura protezioni o altre parti che siano danneggiate per accertarsi che funzionino correttamente e che svolgano la funzione a cui sono destinate. Controllare l'allineamento delle parti mobili, la presenza di eventuali inceppamenti delle parti mobili o rottura dei componenti, il montaggio ed eventuali altre condizioni che potrebbero influenzare il funzionamento. Una protezione o un'altra parte che siano danneggiate vanno riparate correttamente o sostituite da un centro di assistenza autorizzato, se non diversamente indicato altrove nel presente manuale di istruzioni. Far sostituire gli interruttori difettosi da un centro di assistenza autorizzato. Non utilizzare l'aspiratore qualora l'interruttore non consenta di accenderlo e spegnerlo.
18. **PEZZI DI RICAMBIO.** Quando si effettuano interventi di assistenza, utilizzare esclusivamente pezzi di ricambio identici.
19. Quando l'aspirapolvere non è in uso, riporlo sempre al chiuso.
20. Maneggiare con delicatezza l'aspiratore. Anche l'aspiratore più robusto può rompersi a causa dell'incuria nel maneggiarlo.
21. Non tentare di pulire la superficie esterna o interna con benzina, solventi o prodotti chimici di pulizia. In caso contrario, si potrebbero causare spaccature e scolorimenti.
22. Non utilizzare l'aspiratore in spazi chiusi in cui siano presenti emissioni di vapori infiammabili, esplosivi o tossici dovute a vernici a olio, diluenti per vernici, benzina, alcune sostanze per trattamenti antitarmici, e così via, o in aree in cui siano presenti polveri infiammabili.
23. Non utilizzare l'aspiratore sotto l'effetto di droghe o alcolici.
24. Come regola di base per la sicurezza, utilizzare occhiali oppure occhiali di sicurezza con paraocchi laterali.
25. Utilizzare una maschera antipolvere in condizioni di lavoro che presentino polveri.
26. Non maneggiare mai la/e batteria/e e l'aspiratore con le mani bagnate.
27. Adottare estrema cautela durante la pulizia delle scale.
28. Non utilizzare l'aspiratore come sgabello o piano di lavoro. In caso contrario, la macchina potrebbe cadere, causando lesioni personali.
29. Non lasciare che la familiarità acquisita con l'utilizzo frequente degli utensili porti all'auto-compiacimento e a ignorare i principi di sicurezza relativi agli utensili stessi. Un'operazione incauta può causare gravi lesioni personali in una frazione di secondo.

## Uso e manutenzione degli strumenti a batterie

1. **Ricaricare solo con il caricabatterie specificato dal produttore.** Un caricabatterie appropriato per un tipo di batteria potrebbe creare un rischio di incendio, se utilizzato con un'altra batteria.
2. **Utilizzare gli utensili elettrici solo con le batterie specificamente designate.** L'uso di qualsiasi altra batteria potrebbe creare un rischio di lesioni personali e incendi.
3. **Quando la batteria non è in uso, tenerla lontana da altri oggetti metallici, quali graffette, monete, chiavi, chiodi, viti o altri piccoli oggetti metallici, che potrebbero fare contatto tra terminali diversi.** Il cortocircuito dei terminali della batteria può causare ustioni o incendi.
4. **In condizioni di uso improprio, la batteria potrebbe emettere un liquido: evitare il contatto con tale liquido. Qualora si verifichi un contatto accidentale con il liquido, lavare abbondantemente con acqua. Qualora il liquido entri in contatto con gli occhi, richiedere anche assistenza medica.** Il liquido espulso dalla batteria può causare irritazioni o ustioni.
5. **Non utilizzare una batteria o un utensile che siano danneggiati o che siano stati modificati.** Batterie danneggiate o modificate potrebbero mostrare un comportamento imprevedibile che può risultare in incendi, esplosioni o nel rischio di lesioni personali.
6. **Non esporre una batteria o un utensile al fuoco o a temperature eccessive.** L'esposizione al fuoco o a temperature superiori ai 130 °C potrebbe causare un'esplosione.
7. **Attenersi a tutte le istruzioni relative alla carica e non caricare la batteria o l'utensile al di fuori della gamma di temperature specificata nelle istruzioni.** Una carica inappropriata o a temperature al di fuori della gamma specificata potrebbe danneggiare la batteria e incrementare il rischio di incendio.

## Assistenza tecnica

1. **Per l'assistenza tecnica relativa all'utensile elettrico, rivolgersi a un riparatore qualificato che utilizzi solo pezzi di ricambio identici.** In tal modo, si garantisce che la sicurezza dell'utensile elettrico venga preservata.
2. **Non effettuare mai interventi di assistenza su batterie danneggiate.** Gli interventi di assistenza relativi alle batterie vanno effettuati esclusivamente dal produttore o da centri di assistenza autorizzati.
3. **Seguire le istruzioni per la lubrificazione e la sostituzione degli accessori.**
4. **Mantenere in manici asciutti, puliti e privi di olio e grasso.**

## Istruzioni di sicurezza importanti per la cartuccia della batteria

1. **Prima di utilizzare la cartuccia della batteria, leggere tutte le istruzioni e le avvertenze riportate (1) sul caricabatteria, (2) sulla batteria e (3) sul prodotto che utilizza la batteria.**
2. **Non smantellare né manomettere la cartuccia della batteria.** In caso contrario, si potrebbe

causare un incendio, calore eccessivo o un'esplosione.

3. **Qualora il tempo di utilizzo si riduca eccessivamente, interrompere immediatamente l'utilizzo dell'utensile.** In caso contrario, si può incorrere nel rischio di surriscaldamento, possibili ustioni e persino un'esplosione.
4. **Qualora l'elettrolita entri in contatto con gli occhi, sciacquarli con acqua pulita e richiedere immediatamente assistenza medica.** Questa eventualità può risultare nella perdita della vista.
5. **Non cortocircuitare la cartuccia della batteria:**
  - (1) **Non toccare i terminali con alcun materiale conduttivo.**
  - (2) **Evitare di conservare la cartuccia della batteria in un contenitore insieme ad altri oggetti metallici quali chiodi, monete, e così via.**
  - (3) **Non esporre la cartuccia della batteria all'acqua o alla pioggia.**

Un cortocircuito della batteria può causare un grande flusso di corrente, un surriscaldamento, possibili ustioni e persino un guasto.

6. **Non conservare e utilizzare l'utensile e la cartuccia della batteria in ubicazioni in cui la temperatura possa raggiungere o superare i 50 °C.**
7. **Non incenerire la cartuccia della batteria anche qualora sia gravemente danneggiata o completamente esaurita. La cartuccia della batteria può esplodere se a contatto con il fuoco.**
8. **Non inchiodare, tagliare, schiacciare, lanciare o far cadere la cartuccia della batteria, né farla urtare con forza contro un oggetto duro.** Questi comportamenti potrebbero risultare in un incendio, calore eccessivo o un'esplosione.
9. **Non utilizzare una batteria danneggiata.**
10. **Le batterie a ioni di litio contenute sono soggette ai requisiti del regolamento sul trasporto di merci pericolose (Dangerous Goods Legislation).**

Per trasporti commerciali, ad esempio da parte di terzi o spedizionieri, è necessario osservare dei requisiti speciali sull'imballaggio e sull'etichetta. Per la preparazione dell'articolo da spedire, è richiesta la consulenza di un esperto in materiali pericolosi. Attenersi anche alle normative nazionali, che potrebbero essere più dettagliate. Nastrire o coprire i contatti aperti e imballare la batteria in modo tale che non si possa muovere liberamente all'interno dell'imballaggio.

11. **Quando si intende smaltire la cartuccia della batteria, rimuoverla dall'utensile e smaltirla in un luogo sicuro. Attenersi alle normative locali relative allo smaltimento della batteria.**
12. **Utilizzare le batterie esclusivamente con i prodotti specificati da Makita.** L'installazione delle batterie in prodotti non compatibili potrebbe risultare in incendi, calore eccessivo, esplosioni o perdite di liquido elettrolitico.
13. **Se l'utensile non viene utilizzato per un periodo di tempo prolungato, la batteria deve essere rimossa dall'utensile.**
14. **Durante e dopo l'uso, la cartuccia della**

batteria potrebbe assorbire calore, che può causare ustioni o ustioni a bassa temperatura. Fare attenzione a come si maneggiano le cartucce delle batterie estremamente calde.

15. Non toccare i terminali dell'utensile subito dopo l'uso, in quanto potrebbero diventare estremamente caldi al punto da causare ustioni.
16. Evitare di far incastrare schegge, polveri o terreno nei terminali, nei fori e nelle scanalature della cartuccia della batteria. In caso contrario, l'utensile o la cartuccia della batteria potrebbero riscaldarsi, prendere fuoco, scoppiare o guastarsi, causando ustioni o lesioni personali.
17. A meno che l'utensile supporti l'uso in prossimità di linee elettriche ad alta tensione, non utilizzare la cartuccia della batteria in prossimità di linee elettriche ad alta tensione. In caso contrario, si potrebbe causare un malfunzionamento o la rottura dell'utensile o della cartuccia della batteria.
18. Tenere la batteria lontana dai bambini.

## CONSERVARE LE PRESENTI ISTRUZIONI.

**ATTENZIONE:** Utilizzare solo batterie originali Makita. L'utilizzo di batterie Makita non originali, o di batterie che siano state alterate, potrebbe risultare nello scoppio della batteria, causando incendi, lesioni personali e danni. Inoltre, ciò potrebbe invalidare la garanzia Makita per l'utensile e il caricabatterie Makita.

## Suggerimenti per preservare la durata massima della batteria

1. Caricare la cartuccia della batteria prima che si scarichi completamente. Smettere sempre di utilizzare l'utensile e caricare la cartuccia della batteria quando si nota che la potenza dell'utensile è diminuita.
2. Non ricaricare mai una cartuccia della batteria completamente carica. La sovraccarica riduce la vita utile della batteria.
3. Caricare la cartuccia della batteria a una temperatura ambiente compresa tra 10 °C e 40 °C. Lasciar raffreddare una cartuccia della batteria prima di caricarla.
4. Quando non si utilizza la cartuccia della batteria, rimuoverla dall'utensile o dal caricabatterie.
5. Caricare la cartuccia della batteria se non la si è utilizzata per un periodo di tempo prolungato (più di sei mesi).

## DESCRIZIONE DELLE FUNZIONI

**ATTENZIONE:** Accertarsi sempre che l'elettrodomestico sia spento e che le cartucce delle batterie siano state rimosse, prima di regolare o di controllare il funzionamento dell'elettrodomestico.

## Installazione o rimozione della cartuccia della batteria

**ATTENZIONE:** Spegnerne sempre l'apparecchio prima di installare o rimuovere la cartuccia della batteria.

**ATTENZIONE:** Mantenere saldamente l'apparecchio e la cartuccia della batteria, quando si intende installare o rimuovere la cartuccia della batteria. Qualora non si mantengano saldamente l'apparecchio e la cartuccia della batteria, questi ultimi potrebbero scivolare dalle mani e causare un danneggiamento dell'apparecchio e della cartuccia della batteria, nonché lesioni personali.

Per installare le cartucce delle batterie, allineare le linguette sulle cartucce delle batterie con le scanalature nell'alloggiamento, quindi far scivolare le batterie in sede. Inserirle completamente fino a quando si innestano in sede con un piccolo scatto. Se è possibile vedere gli indicatori rossi, come indicato nella figura, non sono bloccate completamente.

Per rimuovere le cartucce delle batterie, farle scivolare fuori dall'alloggiamento delle batterie mentre si tengono premuti i pulsanti sul lato anteriore delle cartucce.

► Fig.1: 1. Indicatore rosso 2. Pulsante 3. Cartuccia della batteria destra 4. Cartuccia della batteria sinistra

**ATTENZIONE:** Installare sempre a fondo la cartuccia della batteria, fino a quando l'indicatore rosso non è più visibile. In caso contrario, potrebbe cadere accidentalmente dall'apparecchio, causando lesioni personali all'operatore o a chi gli è vicino.

**ATTENZIONE:** Non installare forzatamente la cartuccia della batteria. Qualora la batteria non si inserisca scorrendo agevolmente, vuol dire che non viene inserita correttamente.

L'aspiratore dispone di due alloggiamenti per batterie. È possibile scegliere tra doppia batteria o singola batteria, a seconda delle proprie esigenze.

### Con doppia batteria

Il funzionamento continuo con due batterie consente un tempo di esercizio più lungo e una pulizia più efficiente. Quando la prima batteria si sta scaricando, l'aspiratore commuta automaticamente una fonte di alimentazione, pertanto continua a funzionare con la seconda batteria.

**NOTA:** L'alloggiamento destro della batteria (guardando il lato anteriore dell'aspiratore) ha la priorità rispetto all'alloggiamento sinistro della batteria. L'alloggiamento sinistro della batteria viene identificato come fonte di alimentazione solo quando non è installata una batteria nell'alloggiamento destro della batteria, oppure la batteria nell'alloggiamento destro della batteria diventa completamente scarica.

**NOTA:** È possibile rimuovere la batteria dall'alloggiamento destro della batteria e ricaricarla dopo che l'aspiratore ha commutato la sua fonte di alimentazione dall'alloggiamento destro della batteria a quello sinistro senza interrompere il funzionamento. Per ridare la priorità all'alloggiamento destro della batteria dopo aver installato una batteria ricaricata, riavviare l'aspiratore.

**NOTA:** Quando l'aspiratore commuta la fonte di alimentazione dalla prima batteria alla seconda, potrebbe richiedere un arresto temporaneo delle operazioni, causando una leggera perdita nella forza di aspirazione. Questo non denota un malfunzionamento, pertanto l'aspiratore recupera e riprende le operazioni subito dopo la pausa.

### Con una singola batteria

È richiesta una sola batteria come fonte di alimentazione, nell'alloggiamento destro o sinistro della batteria. L'aspiratore stabilisce automaticamente quale alloggiamento della batteria sia disponibile.

## Indicazione della carica residua della batteria

Premere il pulsante di controllo sulla cartuccia della batteria per indicare la carica residua della batteria. Gli indicatori luminosi si illuminano per alcuni secondi.


► **Fig.2:** 1. Indicatori luminosi 2. Pulsante di controllo

Indicatori luminosi			Carica residua
■ Illuminato	□ Spento	◐ Lampeggiante	
■ ■ ■ ■			Dal 75% al 100%
■ ■ ■ □			Dal 50% al 75%
■ ■ □ □			Dal 25% al 50%
■ □ □ □			Dallo 0% al 25%
◐ □ □ □			Caricare la batteria.
■ ■ □ □ ↑ ↓ □ □ ■ ■			La batteria potrebbe essersi guastata.


**NOTA:** A seconda delle condizioni d'uso e della temperatura ambiente, l'indicazione potrebbe variare leggermente rispetto alla carica effettiva.





**NOTA:** Il primo indicatore luminoso (all'estremità sinistra) lampeggia quando il sistema di protezione della batteria è in funzione.

## Indicazione della carica residua della batteria sulla pulsantiera

È possibile controllare la carica residua della batteria sulla pulsantiera. Premere il pulsante  per indicare le cariche residue delle batterie.


"L" ed "R" sulla pulsantiera corrispondono, rispettivamente, alla cartuccia della batteria sinistra e alla cartuccia della batteria destra. Attenersi all'indicazione quando si sostituisce la cartuccia della batteria.





► **Fig.3:** 1. Indicatore della batteria 2. Pulsante per controllo batterie/lampada a LED 

Stato dell'indicatore della batteria			Carica residua della batteria
■ Acceso	□ Spento	◐ Lampeggiante	
			Dal 50% al 100%
			Dal 20% al 50%
			Dallo 0% al 20%
			Caricare la batteria

## Sistema di protezione dell'apparecchio e della batteria

L'apparecchio è dotato di un sistema di protezione dell'apparecchio e della batteria. Questo sistema interrompe automaticamente l'alimentazione al motore per prolungare la vita utile dell'apparecchio e della batteria. In questa situazione, l'indicatore della batteria si illumina come indicato nella tabella seguente.

Stato dell'indicatore della batteria			Stato
■ Acceso	□ Spento	◐ Lampeggiante	
			Protezione dal sovraccarico (batteria) / Protezione dal surriscaldamento (batteria) / Protezione dalla sovrascarica

Stato dell'indicatore della batteria			Stato
 <b>Acceso</b>	 <b>Spento</b>	 <b>Lampeggiante</b>	
			<b>Protezione dal surriscaldamento (apparecchio)</b>

L'apparecchio e la lampada LED si arrestano automaticamente durante il funzionamento, qualora l'apparecchio o la batteria vengano a trovarsi in una delle condizioni seguenti:

## Protezione dal sovraccarico

Quando l'apparecchio o la batteria vengono utilizzati in modo tale da causare un assorbimento di corrente elevato in modo anomalo, l'apparecchio si arresta automaticamente. In questa circostanza, spegnere l'apparecchio e interrompere l'applicazione che ha causato il sovraccarico dell'apparecchio. Quindi, accendere l'apparecchio per ricominciare.

## Protezione dal surriscaldamento

Quando l'apparecchio o la batteria sono surriscaldati, l'apparecchio si arresta automaticamente. In questa situazione, lasciar raffreddare l'apparecchio o la batteria prima di riaccendere l'apparecchio.

## Protezione dalla sovrascarica

Quando la carica della batteria diventa bassa, l'apparecchio si arresta automaticamente. Qualora il prodotto non funzioni anche quando si attivano gli interruttori, rimuovere le batterie dall'apparecchio e caricarle.

## Protezione da altre cause

Il sistema di protezione è progettato anche per altre cause che potrebbero danneggiare l'elettrodomestico, e consente all'elettrodomestico di arrestarsi automaticamente. Adottare tutte le misure seguenti per rimuovere le cause, quando l'elettrodomestico è stato portato a un'interruzione temporanea o a un arresto del funzionamento.

1. Spegnere l'elettrodomestico, quindi riaccenderlo per ricominciare.
2. Caricare la batteria o le batterie, o sostituirla/sostituirele con una batteria o delle batterie ricaricate.
3. Lasciar raffreddare l'elettrodomestico e la batteria o le batterie.

Qualora non si riscontri alcun miglioramento ripristinando il sistema di protezione, contattare il proprio centro di assistenza locale Makita.

## Posizione della pulsantiera

È possibile agganciare la pulsantiera sia da un lato che dal lato opposto della cintura inferiore. Disporre il cavo elettrico in modo che la pulsantiera venga a trovarsi sul lato desiderato. Per evitare il danneggiamento del cavo elettrico, farlo passare attraverso la scanalatura, come illustrato nella figura.

► Fig.4: 1. Scanalatura 2. Cavo elettrico

## Regolazione delle cinture

È possibile regolare la tensione delle tracolle, della cintura superiore e di quella inferiore. Innanzitutto, far passare le braccia attraverso le tracolle, quindi allacciare la cintura inferiore e quella superiore. Per stringerle, tirare l'estremità della cinghia come illustrato nella figura. Per allentarle, tirare verso l'alto l'estremità della fibbia.

### Cintura inferiore

► Fig.5: 1. Cinghia 2. Fibbia

### Tracolle

► Fig.6: 1. Cinghia 2. Fibbia

### Cintura superiore



► Fig.7: 1. Cinghia 2. Fibbia


## Gancio da trasporto



Afferrare sempre il gancio da trasporto quando si intende maneggiare il corpo dell'aspirapolvere.

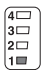



► Fig.8: 1. Gancio da trasporto

## Funzionamento dell'interruttore

Per avviare l'aspiratore, è sufficiente premere il pulsante . Per spegnerlo, premere di nuovo il pulsante .

È possibile cambiare la potenza di aspirazione dell'aspiratore su quattro livelli, premendo il pulsante . Ciascuna pressione su questo pulsante ripete ciclicamente l'attivazione delle modalità da 1 a 4.

► Fig.9: 1. Pulsante di variazione della potenza di aspirazione  2. Pulsante di accensione/spegnimento 



Livello	Indicazione	Modalità
1		Modalità silenziosa
2		Modalità a velocità normale
3		Modalità ad alta velocità
4		Modalità a velocità massima

**NOTA:** È possibile cambiare la potenza di aspirazione prima di accendere l'aspiratore.

**NOTA:** L'aspiratore inizia a funzionare con la stessa potenza di aspirazione dell'ultimo utilizzo.

**NOTA:** Se si rimuove la batteria subito dopo aver spento l'apparecchio, mentre il motore sta girando, l'aspiratore potrebbe non iniziare a funzionare con la stessa potenza di aspirazione dell'ultimo utilizzo.

## Lampada a LED

Nella testa della pulsantiera è installata una lampada a LED per facilitare le operazioni in ubicazioni buie. Per accendere la lampada, tenere premuto il pulsante . Per spegnerla, tenere premuto di nuovo il pulsante .

► Fig.10

**⚠ATTENZIONE:** Non guardare la lampada né osservare la fonte di luce direttamente. Non puntare mai la lampada verso gli occhi di altre persone.

**NOTA:** La lampada a LED viene spenta automaticamente quando non si utilizza l'aspirapolvere per più di 10 minuti.

## Fascetta per il tubo flessibile

È possibile utilizzare la fascetta per il tubo flessibile per mantenere il tubo flessibile o la bocchetta di gomma flessibile.

Per fissare il tubo flessibile sul corpo dell'aspirapolvere, far passare la fascetta per il tubo flessibile attraverso l'apertura presente sul corpo. È possibile fissare la fascetta per il tubo flessibile da entrambi i lati.

► Fig.11: 1. Fascetta per il tubo flessibile 2. Apertura 3. Tubo flessibile

È possibile utilizzare i passanti sulla cintura inferiore per trasportare le bocchette, come illustrato nella figura.

► Fig.12: 1. Fascetta avvolgibile 2. Bocchetta

## Gancio del tubo flessibile

Quando si sospende l'operazione, è possibile utilizzare il gancio presente sul gruppo con tubo piegato per appendere la prolunga alla parte pendente della cintura inferiore.

► Fig.13: 1. Gancio 2. Cintura inferiore 3. Parte pendente

## MONTAGGIO

**⚠ATTENZIONE:** Prima di effettuare qualsiasi intervento sull'apparecchio, accertarsi sempre che l'apparecchio sia spento e che la cartuccia della batteria sia stata rimossa.

## Montaggio del tubo flessibile

Inserire il risvolto del tubo flessibile nel corpo dell'aspirapolvere e ruotarlo in senso orario.

► Fig.14: 1. Risvolto del tubo flessibile 2. Corpo dell'aspirapolvere

## Utilizzo come aspiratore

### Montaggio del gruppo con tubo piegato

#### Accessorio opzionale

**NOTA:** Non è necessario eseguire questa procedura se il modello utilizzato è dotato del gruppo con tubo piegato montato sul tubo flessibile.

**NOTA:** Sono disponibili due tipi di gruppi con tubi piegati, quello per la prolunga a scorrimento e quello per la prolunga ad anello. Se si prepara il gruppo con tubo piegato, scegliere quello adatto al tipo di prolunga desiderata.

Il gruppo con tubo piegato viene utilizzato per collegare a questo prodotto la prolunga o la bocchetta per aspirare polveri.

Se si desidera utilizzare questo prodotto come aspirapolvere, montare il gruppo con tubo piegato sul tubo flessibile.

#### Per il gruppo con tubo piegato a vite

Per montarlo, svitare il risvolto anteriore dal tubo flessibile e fissare il manicotto del gruppo con tubo piegato sul tubo flessibile.

Per rimuoverlo, allentare il manicotto del gruppo con tubo piegato dal tubo flessibile.

► Fig.15: 1. Tubo flessibile 2. Gruppo con tubo piegato 3. Manicotto

#### Per il gruppo con tubo piegato a innesto

Per montarlo, inserire l'estremità del tubo flessibile nel gruppo con tubo piegato. Accertarsi che le linguette all'estremità del tubo flessibile si innestino nei fori presenti sul gruppo con tubo piegato.

Per rimuoverlo il gruppo con tubo piegato, tirarlo mentre si tengono premute entrambe le linguette all'estremità del tubo flessibile.

► Fig.16: 1. Estremità del tubo flessibile 2. Linguetta 3. Foro 4. Gruppo con tubo piegato

### Montaggio della bocchetta e della prolunga

#### Accessorio opzionale

**NOTA:** Il tipo di bocchetta e di prolunga incluse nel prodotto varia a seconda della nazione. In alcune nazioni, la bocchetta e la prolunga non sono incluse.

1. Ruotare e inserire la bocchetta sulla prolunga.

► Fig.17: 1. Prolunga 2. Bocchetta di gomma flessibile 3. Bocchetta per angoli 4. Bocchetta a T

Quando si utilizza la bocchetta a T commutabile per pavimenti/tappeti, è possibile cambiare la modalità a seconda dell'ubicazione.

— Modalità pavimento: idonea per un'ubicazione liscia, ad esempio un pavimento duro

— Modalità tappeto: idonea per un'ubicazione a pelo lungo, ad esempio un tappeto o un tappetino

► Fig.18: 1. Pulsante di commutazione della modalità 2. Modalità pavimento 3. Modalità tappeto



**NOTA:** Facendo ruotare la bocchetta mentre la si inserisce, è possibile montare saldamente la bocchetta sulla prolunga.

**NOTA:** Per il modello con tubo flessibile da  $\varnothing 38$  mm e risvolto anteriore 38, montare la bocchetta in dotazione sul tubo piegato in alluminio o sul tubo diritto in alluminio.

2. Attenersi alle procedure seguenti, a seconda del tipo di prolunga:

**NOTA:** La prolunga a scorrimento e la prolunga ad anello non sono compatibili tra di loro. Se si desidera sostituire la prolunga a scorrimento con la prolunga ad anello o viceversa, sostituire anche il gruppo con tubo piegato.

**Per la prolunga a scorrimento**

Indossare sulle spalle il corpo dell'aspirapolvere, quindi inserire la prolunga nel gruppo con tubo piegato fino a sentire uno scatto. Per scollegare la prolunga, estrarla mentre si tiene premuto il pulsante.

► **Fig.19:** 1. Gruppo con tubo piegato 2. Pulsante 3. Prolunga a scorrimento 4. Bocchetta di gomma flessibile

È possibile regolare la lunghezza della prolunga. Mentre si tiene premuto il pulsante di scorrimento, regolare la lunghezza della prolunga. La lunghezza viene bloccata quando si rilascia il pulsante di scorrimento.

► **Fig.20:** 1. Pulsante di scorrimento

**Per la prolunga di tipo ad anello**

Indossare sulle spalle il corpo dell'aspirapolvere, quindi ruotare e inserire la prolunga nel gruppo con tubo piegato. Per scollegarla, ruotarla ed estrarla.

► **Fig.21:** 1. Gruppo con tubo piegato 2. Prolunga ad anello 3. Bocchetta di gomma flessibile

**NOTA:** È possibile montare direttamente la bocchetta di gomma flessibile sul gruppo con tubo piegato senza il blocco del tubo.

È possibile regolare la lunghezza della prolunga. Allentare l'anello sulla prolunga e regolare la lunghezza di quest'ultima. Serrare l'anello alla lunghezza desiderata.

► **Fig.22:** 1. Anello

**Per il tubo piegato in alluminio o il tubo diritto in alluminio**

(Solo per il modello con tubo flessibile da  $\varnothing 38$  mm e risvolto anteriore 38)

Indossare il corpo dell'aspirapolvere, quindi ruotare e inserire il tubo nel risvolto anteriore. Per scollegarlo, ruotarlo ed estrarlo.

► **Fig.23:** 1. Risvolto anteriore 38 2. Tubo piegato in alluminio 3. Tubo diritto in alluminio 4. Bocchetta a T

**Per i due tubi diritti in alluminio**

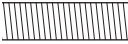




Indossare sulle spalle il corpo dell'aspirapolvere, quindi ruotare e inserire i tubi. Per scollegarla, ruotarla ed estrarla.

► **Fig.24:** 1. Gruppo con tubo piegato 2. Tubo diritto in alluminio 1 3. Tubo diritto in alluminio 2

**Collegamento dell'utensile**

**NOTA:** Se il gruppo con tubo piegato è montato sul tubo flessibile, rimuoverlo anticipatamente.

Per collegare un utensile all'aspiratore, sono richiesti il tubo flessibile dedicato e/o componenti aggiuntivi. A seconda del modello di aspiratore utilizzato, è necessario sostituire il tubo flessibile e/o preparare componenti aggiuntivi. Per i dettagli, fare riferimento alla tabella seguente.

Diametro tubo flessibile in dotazione	Tipo di estremità del tubo flessibile	Operazione
$\varnothing 28$ mm	 senza componente	Montare il risvolto anteriore.
	 con componente a innesto	Sostituire l'estremità del tubo flessibile (componente a innesto) con il risvolto anteriore. È possibile rimuovere l'estremità del tubo flessibile ruotandola in senso antiorario.
$\varnothing 32$ mm	 con componente a innesto	Sostituire il tubo flessibile con quello per estrazione polveri ( $\varnothing 28$ mm, con risvolto anteriore).
$\varnothing 38$ mm	 con componente a innesto	Sostituire il tubo flessibile con quello per estrazione polveri ( $\varnothing 28$ mm, con risvolto anteriore).
	 con risvolto anteriore 38	Montare il giunto 22-38 o il risvolto anteriore 24.

**NOTA:** Utilizzare sempre un risvolto anteriore idoneo. Quando si intende utilizzare il risvolto anteriore 24, montarlo sul risvolto anteriore 22 collegato al tubo flessibile.

► **Fig.25:** 1. Risvolto anteriore 22 2. Risvolto anteriore 24

## Quando si intende utilizzare il tubo flessibile da ø28 mm per estrazione polveri

1. Applicare il risvolto anteriore sul tubo flessibile per estrazione polveri.  
Durante il collegamento del risvolto anteriore, accertarsi che sia avvitato saldamente sul tubo flessibile.

2. Collegare il risvolto anteriore allo scarico di estrazione dell'utensile.

► **Fig.26:** 1. Risvolto anteriore 2. Scarico di estrazione 3. Tubo flessibile

È possibile staccare il risvolto anteriore ruotandolo in senso antiorario mentre si mantiene il tubo flessibile.

## Quando si intende utilizzare il tubo flessibile da ø38 mm con il risvolto anteriore 38

1. Ruotare e inserire il giunto o il risvolto anteriore nella parte di entrata del tubo flessibile, a seconda dell'utensile che si intende collegare.

2. Collegare il risvolto anteriore allo scarico di estrazione dell'utensile.

► **Fig.27:** 1. Giunto 2. Risvolto anteriore 3. Scarico di estrazione 4. Tubo flessibile

Per rimuovere il giunto e il risvolto anteriore, eseguire le procedure di installazione al contrario.

## Installazione del sacchetto filtro o del sacchetto polveri

### Accessorio opzionale

**⚠ATTENZIONE:** Non utilizzare un sacchetto filtro danneggiato. Utilizzare sempre l'aspirapolvere con il sacchetto filtro installato correttamente. In caso contrario, la polvere o le particelle aspirate potrebbero venire espulse dall'aspiratore e potrebbero causare malattie respiratorie all'operatore.

Prima di utilizzare l'aspiratore, installare un sacchetto polveri o un sacchetto filtro.

- È possibile riutilizzare i sacchetti polveri numerose volte, pulendoli a fondo.
- Il sacchetto filtro è di tipo "usa-e-getta". Gettare via l'intero sacchetto filtro senza svuotarlo, quando si è riempito.

**AVVISO:** Quando il sacchetto filtro è quasi pieno, sostituirlo con uno nuovo. Quando il sacchetto polveri è già pieno, svuotarlo. L'utilizzo continuato con un sacchetto filtro o un sacchetto polveri pieno risulta in una potenza di aspirazione ridotta.

**AVVISO:** Per evitare che le polveri penetrino nel motore:

- Prima dell'uso, accertarsi che sia installato il sacchetto filtro o il sacchetto polveri.
- Non utilizzare un sacchetto rotto o strappato.

In caso contrario, si potrebbe rompere il motore.

**AVVISO:** Quando si intende installare il sacchetto filtro o il sacchetto polveri, non piegare il cartone nel punto della sua apertura.

**AVVISO:** Il sacchetto filtro o il sacchetto polveri per l'aspiratore è un componente importante per preservare le prestazioni dell'apparecchio. L'utilizzo di un sacchetto filtro o di un sacchetto polveri non originale potrebbe causare emissione di fumo o combustione.

**NOTA:** Quando nell'aspiratore non è installato il sacchetto filtro o il sacchetto polveri, lo sportellino anteriore non si chiude completamente.

► **Fig.28**

1. Sbloccare la leva e aprire lo sportellino anteriore.

► **Fig.29:** 1. Leva 2. Sportellino anteriore

2. Inserire il sacchetto filtro nella fessura sul lato superiore della camera.

► **Fig.30:** 1. Fessura 2. Sacchetto filtro

Quando si intende utilizzare il sacchetto polveri, inserire l'orlo del sacchetto polveri nella fessura.

► **Fig.31:** 1. Fessura 2. Orlo 3. Sacchetto polveri

3. Allineare il foro del sacchetto filtro con il risvolto del tubo flessibile e premere la parte in cartone fino in fondo. Accertarsi che l'anello in gomma presente sul sacchetto filtro sia posizionato al di sopra del bordo sul risvolto del tubo flessibile.

► **Fig.32:** 1. Anello di gomma sul sacchetto filtro  
2. Bordo sul risvolto del tubo flessibile  
3. Parte in cartone del sacchetto filtro  
4. Risvolto del tubo flessibile

4. Bloccare saldamente lo sportellino anteriore.

**⚠ATTENZIONE:** Fare attenzione a non far restare incastrate le dita quando si aggancia il dispositivo di chiusura e quando si chiude lo sportellino anteriore.

## Copertura dell'imbragatura

### Accessorio opzionale

Quando si intende utilizzare la copertura dell'imbragatura, attenersi alla procedura seguente per montarla.

**NOTA:** Quando si installa la copertura dell'imbragatura, non confondere la parte anteriore con quella posteriore della copertura dell'imbragatura.

**NOTA:** La copertura dell'imbragatura è lavabile. Seguire le istruzioni di lavaggio sull'etichetta.

► Fig.33

1. Distendere sull'imbragatura la copertura dell'imbragatura.

► Fig.34

2. Fissare le tracolle dell'imbragatura con i dispositivi di fissaggio in velcro della copertura dell'imbragatura. Agganciare sull'imbragatura la fascetta della copertura dell'imbragatura.

► Fig.35

**AVVISO:** Non collocare il sacchetto filtro, il sacchetto polveri o altri oggetti pesanti sullo sportellino anteriore. In caso contrario, l'apparecchio potrebbe cadere.

**AVVISO:** Controllare a intervalli regolari se il sacchetto filtro sia pieno. L'utilizzo continuato con un sacchetto filtro pieno risulta in una potenza di aspirazione ridotta.

**AVVISO:** Non utilizzare un sacchetto filtro usato. Il sacchetto filtro è progettato come monouso. L'utilizzo ripetuto dello stesso sacchetto filtro potrebbe causare l'intasamento del filtro e risulta nel danneggiamento dell'aspiratore. Se si desidera utilizzare ripetutamente il sacchetto, utilizzare un sacchetto polveri.

## FUNZIONAMENTO

**AVVERTIMENTO:** Gli operatori vanno istruiti in modo adeguato sull'utilizzo dell'aspirapolvere.




**AVVERTIMENTO:** Il presente aspirapolvere non è idoneo all'aspirazione di polveri pericolose.

**ATTENZIONE:** Il presente aspiratore è destinato esclusivamente all'utilizzo a secco.

**ATTENZIONE:** Durante l'uso, fare attenzione alla presenza dell'aspirapolvere sulla propria schiena. Si potrebbe perdere l'equilibrio, qualora il corpo dell'aspirapolvere urtasse contro una parete o il tubo flessibile venisse agganciato da un ostacolo.

1. Indossare sulle spalle il corpo dell'aspirapolvere e allacciare la cintura superiore e quella inferiore. Regolare il livello di tensione in base alle esigenze.

► Fig.36

2. Premere il pulsante  per avviare l'aspirazione. Se si desidera modificare la potenza di aspirazione, premere il pulsante  fino a selezionare la potenza di aspirazione desiderata. Premere il pulsante  per arrestare l'apparecchio.

► Fig.37

Durante l'uso, agganciare la pulsantiera all'anello a D o alla parte pendente della cintura inferiore. È possibile inclinare il gancio per illuminare sul davanti, quando è agganciato alla parte pendente.

► Fig.38: 1. Anello a D 2. Parte pendente

3. Sostituire il sacchetto filtro quando diventa pieno. Aprire lo sportellino anteriore ed estrarre il sacchetto filtro. Tirare la striscia sul fianco dell'apertura per chiudere il sacchetto filtro e smaltire quest'ultimo nella sua interezza.

► Fig.39: 1. Striscia

Quando si utilizza un sacchetto polveri, estrarre il sacchetto polveri e smaltire le polveri sbloccando il dispositivo di chiusura.

► Fig.40: 1. Dispositivo di chiusura

## MANUTENZIONE

**ATTENZIONE:** Prima di tentare di eseguire interventi di ispezione o manutenzione, accertarsi sempre che l'apparecchio sia spento e che la cartuccia della batteria sia stata rimossa.

**AVVISO:** Non utilizzare mai benzina, benzene, solventi, alcol o altre sostanze simili. In caso contrario, si potrebbero causare scolorimenti, deformazioni o crepe.

Per preservare la SICUREZZA e l'AFFIDABILITÀ del prodotto, le riparazioni e qualsiasi altro intervento di manutenzione e di regolazione devono essere eseguiti da un centro di assistenza autorizzato Makita, utilizzando sempre ricambi Makita.

### Pulizia del filtro HEPA

**ATTENZIONE:** Non utilizzare l'aspirapolvere senza un filtro o continuare a utilizzare un filtro sporco o danneggiato. In caso contrario, la polvere o le particelle aspirate potrebbero venire espulse dall'aspiratore e potrebbero causare malattie respiratorie all'operatore.

**AVVISO:** Per mantenere una potenza di aspirazione ottimale e uno scarico pulito, pulire a intervalli regolari il filtro. Qualora non si riesca a ottenere una potenza di aspirazione sufficiente anche dopo la pulizia, sostituire il filtro con uno nuovo.

**AVVISO:** Per evitare che il filtro venga danneggiato, non utilizzare gli utensili seguenti né oggetti simili per la pulizia:

- Soffiatore ad aria compressa
- Idropulitrice ad alta pressione
- Utensili fabbricati in materiali duri, ad esempio spazzole metalliche

1. Aprire lo sportellino anteriore ed estrarre il sacchetto filtro o il sacchetto polveri. Sbloccare il gancio sul filtro e rimuoverlo dal corpo dell'aspirapolvere.

► Fig.41: 1. Gancio 2. Filtro HEPA

2. Rimuovere le polveri dal filtro con dei colpetti. È

possibile lavare il filtro con acqua. Sciacquare le polveri e le particelle presenti sul filtro a intervalli di 1 o 2 mesi. Dopo tale operazione, fare asciugare completamente il filtro in un'ubicazione ombreggiata e ben ventilata per evitare odori sgradevoli o malfunzionamenti.

3. Per installare il filtro, inserire il lato senza i ganci nella scanalatura, quindi spingere all'interno il filtro fino a quando i ganci si fissan con uno scatto.

► **Fig.42:** 1. Scanalatura 2. Filtro HEPA 3. Gancio

## Pulizia del filtro in spugna

**⚠ATTENZIONE:** Dopo aver pulito i filtri in spugna, accertarsi di installarli sull'aspirapolvere.

Qualora siano stati lavati in acqua, farli asciugare completamente prima di installarli. Filtri in spugna non asciugati a sufficienza potrebbero ridurre la vita utile del motore.

I filtri in spugna sotto il filtro HEPA evitano che le polveri penetrino nel motore.

1. Rimuovere i filtri in spugna dall'aspirapolvere.

► **Fig.43:** 1. Filtro in spugna

2. Pulire e scuotere via con le mani le polveri dai filtri in spugna. Quando i filtri in spugna sono intasati, lavarli con acqua saponata.

► **Fig.44**

3. Installare i filtri in spugna nella loro posizione originale.

## Pulizia del sacchetto polveri

Pulire a intervalli regolari il sacchetto polveri con acqua e sapone. Rivoltare il sacchetto polveri e rimuovere le polveri che vi aderiscono. Lavarlo delicatamente a mano e sciacquarlo bene con acqua. Farlo asciugare completamente prima di installarlo nell'aspirapolvere.

► **Fig.45**

**AVVISO:** Un sacchetto polveri bagnato riduce le prestazioni di aspirazione, nonché la vita utile del motore.

## Eliminazione dell'intasamento

Quando si intende pulire l'intasamento, rimuovere il tubo flessibile o la prolunga, oppure il gruppo con tubo piegato, per controllarne l'interno.

Fare riferimento alla sezione relativa al montaggio del gruppo con tubo piegato.

## Pulizia dell'alloggiamento per il sacchetto filtro o il sacchetto polveri

Questo elettrodomestico è dotato di un sistema di abbattimento delle polveri. Quando si cammina mentre si trasporta l'aspiratore, delle molle sotto il ripiano vibrano e scuotono le polveri dal sacchetto filtro o dal sacchetto polveri rimuovendole.

Quando si intende pulire l'alloggiamento per il sacchetto filtro o il sacchetto polveri, rimuovere e pulire con un panno il ripiano all'interno.

► **Fig.46:** 1. Ripiano

## Rimozione del ripiano

1. Rimuovere il filtro HEPA. Per informazioni su come rimuoverlo, fare riferimento alla sezione relativa alla pulizia del filtro HEPA.

2. Premere verso il basso il ripiano, quindi farlo scorrere verso sinistra fino a quando il ripiano tocca la parete.

3. Sollevare il lato destro del ripiano ed estrarre quest'ultimo.

► **Fig.47:** 1. Ripiano

Il ripiano è sostenuto da tre molle.

Qualora le molle si staccino dalle sporgenze, rimontarle come illustrato nella figura.

► **Fig.48:** 1. Molla lunga 2. Molla corta 3. Sporgenza

**NOTA:** Montare saldamente le molle, in modo che queste ultime tocchino la base delle sporgenze.

## Montaggio del ripiano

1. Inserire il lato diritto del ripiano nei ganci presenti nel lato inferiore sinistro dell'alloggiamento.

2. Sistemare il lato destro del ripiano in sede.

► **Fig.49:** 1. Ripiano 2. Lato diritto 3. Gancio

## ACCESSORIO CICLONICO

### Accessorio opzionale

**NOTA:** Quando si intende utilizzare l'accessorio ciclonico con questo elettrodomestico, è richiesto anche il tubo piegato.

► **Fig.50:** 1. Accessorio ciclonico

### Informazioni sull'accessorio ciclonico

L'utilizzo dell'aspiratore con l'accessorio ciclonico installato riduce la quantità di polveri che entrano nel sacchetto polveri, il che contribuisce a evitare l'indebolimento della forza di aspirazione. Inoltre, anche la pulizia dopo l'uso è semplice.

**⚠ATTENZIONE:** Accertarsi sempre che l'utensile sia spento e che la cartuccia della batteria sia stata rimossa, prima di effettuare qualsiasi intervento sull'utensile. Qualora la cartuccia della batteria venga lasciata inserita, l'aspiratore potrebbe avviarsi inaspettatamente e causare lesioni personali.

**⚠ATTENZIONE:** Pulire il filtro a rete dell'accessorio ciclonico e il sacchetto polveri dell'unità aspiratore quando diventano intasati. L'utilizzo continuato nella condizione di intasamento potrebbe risultare in un riscaldamento o nell'emissione di fumo.

**AVVISO:** Quando è montato l'accessorio ciclonico, non utilizzare l'accessorio ciclonico in direzione orizzontale o rivolto verso l'alto. In caso contrario, si potrebbe causare l'intasamento del filtro a rete.

**AVVISO:** Utilizzare sempre l'aspiratore con il sacchetto polveri installato, anche quando si utilizza l'accessorio ciclonico. L'utilizzo dell'aspiratore senza il sacchetto polveri installato potrebbe risultare in un malfunzionamento del motore.

**NOTA:** Verificare che l'accessorio ciclonico, l'aspiratore e il tubo diritto siano bloccati correttamente, prima dell'uso.

**NOTA:** Svuotare il contenitore polveri dell'accessorio ciclonico e il sacchetto polveri dell'aspiratore, quando le polveri si sono accumulate. In caso contrario, l'utilizzo continuato risulta in una forza di aspirazione ridotta.

**NOTA:** È possibile utilizzare l'accessorio ciclonico con o senza la funzione di blocco.

**NOTA:** Per installare o rimuovere l'accessorio ciclonico, fare riferimento alla sezione "Utilizzo come aspiratore".

## Smaltimento delle polveri

Quando le polveri si sono accumulate fino alla linea di riempimento del contenitore polveri, attenersi alla procedura seguente e smaltire le polveri.

1. Mantenere saldamente il contenitore polveri, premere e tenere premuti i due pulsanti, quindi rimuovere il contenitore polveri.

► **Fig.51:** 1. Linea di riempimento 2. Contenitore polveri 3. Pulsante (in due ubicazioni) 4. Filtro a rete

2. Smaltire le polveri all'interno del contenitore polveri e rimuovere eventuali polveri depositate sulla superficie del filtro a rete.

3. Inserire completamente il contenitore polveri fino a quando i due pulsanti si bloccano con uno scatto.

► **Fig.52:** 1. Contenitore polveri 2. Pulsante (in due ubicazioni)

**NOTA:** Verificare che l'accessorio ciclonico, l'aspiratore e il tubo diritto siano bloccati correttamente, prima di riprendere l'utilizzo.

**NOTA:** Qualora la forza di aspirazione non venga recuperata anche dopo aver smaltito le polveri e aver pulito il filtro a rete, controllare se le polveri si siano accumulate nel sacchetto polveri dell'aspiratore o se si sia verificato un intasamento.

## Pulizia

Quando il contenitore polveri diventa sporco o il filtro a rete è intasato, rimuoverli e lavarli con acqua. (Per la procedura di rimozione, fare riferimento a "Smaltimento delle polveri").

Far asciugare completamente le parti prima della reinstallazione e dell'utilizzo.

► **Fig.53:** 1. Contenitore polveri 2. Filtro a rete

Quando il filtro a rete si sporca notevolmente, pulirlo attenendosi alle procedure seguenti.

1. Ruotare il filtro a rete in senso antiorario e rimuoverlo mentre i ganci sono sbloccati.

► **Fig.54:** 1. Filtro a rete 2. Gancio

2. Rimuovere le polveri sul filtro a rete, quindi lavarlo con acqua. Dopodiché, farlo asciugare completamente.

3. Inserire il filtro a rete nella base mentre i ganci sono allineati con l'apertura. Ruotare in senso orario il filtro a rete fino a quando i ganci si bloccano con uno scatto. Accertarsi che il filtro a rete sia installato saldamente.

► **Fig.55:** 1. Filtro a rete 2. Gancio 3. Apertura

## ACCESSORI OPZIONALI

**ATTENZIONE:** Questi accessori o componenti aggiuntivi sono consigliati per l'uso con il prodotto Makita specificato nel presente manuale. L'utilizzo di qualsiasi altro accessorio o componente aggiuntivo potrebbe presentare il rischio di lesioni alle persone. Utilizzare un accessorio o un componente aggiuntivo solo per lo scopo a cui è destinato.

Potrebbe non essere possibile installare alcuni accessori, a seconda della combinazione delle parti. Per ottenere ulteriori dettagli relativamente a questi accessori, rivolgersi a un centro di assistenza Makita.

- Tubo flessibile (per il tipo con aspirapolvere)
- Tubo flessibile (per il tipo con estrazione delle polveri)
- Prolunga
- Bocchetta di gomma flessibile
- Bocchetta a T
- Bocchetta per sedute
- Bocchetta per angoli
- Spazzola per scaffali
- Spazzola rotonda
- Gruppo con tubo piegato
- Sacchetto filtro
- Sacchetto polveri
- Risvolto anteriore
- Filtro HEPA
- Tubo
- Copertura dell'imbragatura
- Accessorio ciclonico
- Batteria e caricabatterie originali Makita

**NOTA:** Alcuni articoli nell'elenco potrebbero essere inclusi nell'imballaggio dell'utensile come accessori standard. Tali articoli potrebbero variare da nazione a nazione.

## WAARSCHUWING

- Dit apparaat is niet bedoeld voor gebruik door personen, waaronder kinderen, met een verminderd lichamelijk, zintuiglijk of geestelijk vermogen, of gebrek aan kennis en ervaring.
- Kinderen dienen onder toezicht te staan om ervoor te zorgen dat zij niet met de stofzuiger spelen.
- Zie het hoofdstuk "TECHNISCHE GEGEVENS" voor de typeaanduiding van de accu.
- Zie het hoofdstuk "De accu aanbrengen en verwijderen" voor hoe u de accu kunt aanbrengen en verwijderen.
- Wanneer u de accu wilt weggoien, verwijdert u de accu vanaf het gereedschap en gooit u hem op een veilige manier weg. Volg bij het weggoien van de accu de plaatselijke voorschriften.
- Als u het gereedschap gedurende een lange tijd niet denkt te gaan gebruiken, moet de accu vanaf het gereedschap worden verwijderd.
- Voorkom kortsluiting van de accu.
- Zie het hoofdstuk "ONDERHOUD" voor de benodigde informatie over de voorzorgsmaatregelen tijdens onderhoud door de gebruiker.

## TECHNISCHE GEGEVENS

<b>Model:</b>		<b>VC011G</b>
Inhoud	Filterzak	6,0 L
	Stofzak	5,5 L
Maximaal luchtvolume (met slang ø32 mm x 1,0 m)		2,4 m <sup>3</sup> /min
Vacuüm		20 kPa
Afmetingen (l x b x h) (exclusief het draagstel, met BL4050F)		336 mm x 185 mm x 543 mm
Nominale spanning		Max. 36 V - 40 V gelijkspanning
Nettogewicht		6,4 - 9,5 kg

- In verband met ononderbroken research en ontwikkeling, behouden wij ons het recht voor de bovenstaande technische gegevens zonder voorafgaande kennisgeving te wijzigen.
- De technische gegevens kunnen van land tot land verschillen.
- Het gewicht is exclusief bijgeleverde accessoires, maar inclusief de accu('s). Het laagste en hoogste gecombineerde gewicht van het apparaat en de accu('s) wordt vermeld in de tabel.
- De lengte van de bijgeleverde slang verschilt afhankelijk van het land.

### Toepasselijke accu's en laders

Accu	BL4020 / BL4025 / BL4040 / BL4040F / BL4050F / BL4080F
Lader	DC40RA / DC40RB / DC40RC / DC40WA

- Sommige van de hierboven vermelde accu's en laders zijn mogelijk niet leverbaar afhankelijk van waar u woont.

**⚠ WAARSCHUWING:** Gebruik uitsluitend de accu's en laders die hierboven worden genoemd. Gebruik van enige andere accu of lader kan leiden tot letsel en/of brand.

**⚠ WAARSCHUWING:** Gebruik geen bekabelde voeding, zoals een accuadapter of draagbare voedingseenheid met dit apparaat. De kabel van een dergelijke voeding kan het gebruik hinderen waardoor persoonlijk letsel wordt veroorzaakt.

### Symbolen

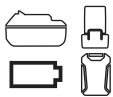
Hieronder staan de symbolen die voor het gereedschap kunnen worden gebruikt. Zorg ervoor dat u de betekenis ervan kent voordat u het gereedschap gaat gebruiken.



Lees de gebruiksaanwijzing.



Wees vooral voorzichtig en let goed op.



Een representatieve accu geschikt voor dit product.



Alleen voor EU-landen  
Als gevolg van de aanwezigheid van schadelijke componenten in het apparaat, kunnen oude elektrische en elektronische apparaten, accu's en batterijen negatieve gevolgen hebben voor het milieu en de gezondheid van mensen.  
Gooi elektrische en elektronische apparaten en accu's niet met het huisvuil weg! In overeenstemming met de Europese richtlijn inzake oude elektrische en elektronische apparaten en inzake accu's en batterijen en oude accu's en batterijen, alsmede de toepassing daarvan binnen de nationale wetgeving, dienen oude elektrische apparaten, accu's en batterijen gescheiden te worden opgeslagen en te worden ingeleverd bij een apart inzamelingspunt voor huishoudelijk afval dat de milieubeschermingsvoorschriften in acht neemt.  
Dit wordt op het apparaat aangegeven door het symbool van een doorgekruiste afvalcontainer.

## Gebruiksdoelinden

Het apparaat is bedoeld om droog stof te verzamelen. Het apparaat is geschikt voor commercieel gebruik, bijvoorbeeld in hotels, scholen, ziekenhuizen, fabrieken, winkels, kantoren en verhuurbedrijven.

## Geluidsniveau

De typische, A-gewogen geluidsniveaus zijn gemeten volgens EN60335-2-69:  
Geluidsdrukniveau ( $L_{pA}$ ): 70 dB (A) of lager  
Onzekerheid (K): 2,5 dB (A)

Het geluidsniveau kan tijdens gebruik hoger worden dan 80 dB (A).

**OPMERKING:** De opgegeven geluidsemissiewaarde(n) is/zijn gemeten volgens een standaardtestmethode en kan/kunnen worden gebruikt om dit gereedschap te vergelijken met andere gereedschappen.

**OPMERKING:** De opgegeven geluidsemissiewaarde(n) kan/kunnen ook worden gebruikt voor een beoordeling vooraf van de blootstelling.

**⚠WAARSCHUWING:** Draag gehoorbescherming.

**⚠WAARSCHUWING:** De geluidsemissie tijdens het gebruik van het elektrisch gereedschap in de praktijk kan verschillen van de opgegeven waarde(n) afhankelijk van de manier waarop het gereedschap wordt gebruikt, met name van het soort werkstuk waarmee wordt gewerkt.

**⚠WAARSCHUWING:** Zorg ervoor dat veiligheidsmaatregelen worden getroffen ter bescherming van de gebruiker die zijn gebaseerd op een schatting van de blootstelling onder praktijkomstandigheden (rekening houdend met alle fasen van de bedrijfscyclus, zoals de tijdsduur gedurende welke het gereedschap is uitgeschakeld en stationair draait, naast de ingeschakelde tijdsduur).

## Trilling

De totale trillingswaarde (triaxiale vectorsom) zoals vastgesteld volgens EN60335-2-69:  
Gebruikstoepassing: onbelaste werking  
Trillingsemissie ( $a_{h1}$ ): 2,5 m/s<sup>2</sup> of lager  
Onzekerheid (K): 1,5 m/s<sup>2</sup>

**OPMERKING:** De totale trillingswaarde(n) is/zijn gemeten volgens een standaardtestmethode en kan/kunnen worden gebruikt om dit gereedschap te vergelijken met andere gereedschappen.

**OPMERKING:** De opgegeven totale trillingswaarde(n) kan/kunnen ook worden gebruikt voor een beoordeling vooraf van de blootstelling.

**⚠WAARSCHUWING:** De trillingsemissie tijdens het gebruik van het elektrisch gereedschap in de praktijk kan verschillen van de opgegeven waarde(n) afhankelijk van de manier waarop het gereedschap wordt gebruikt, met name van het soort werkstuk waarmee wordt gewerkt.

**⚠WAARSCHUWING:** Zorg ervoor dat veiligheidsmaatregelen worden getroffen ter bescherming van de gebruiker die zijn gebaseerd op een schatting van de blootstelling onder praktijkomstandigheden (rekening houdend met alle fasen van de bedrijfscyclus, zoals de tijdsduur gedurende welke het gereedschap is uitgeschakeld en stationair draait, naast de ingeschakelde tijdsduur).

## Verklaringen van conformiteit

### *Alleen voor Europese landen*

De verklaringen van conformiteit zijn bijgevoegd in Bijlage A bij deze gebruiksaanwijzing.

# VEILIGHEIDSWAAR- SCHUWINGEN

## Veiligheidswaarschuwingen voor een accustofzuiger

**⚠ WAARSCHUWING: BELANGRIJK! LEES VÓÓR GEBRUIK** alle veiligheidswaarschuwingen en alle instructies **ZORGVULDIG DOOR**. Het niet volgen van de waarschuwingen en instructies kan leiden tot elektrische schokken, brand en/of ernstig letsel.

1. **Bedenk vóór gebruik dat deze stofzuiger moet worden gebruikt door mensen die goed zijn geïnstrueerd in het gebruik van deze stofzuiger.**
2. **Gebruik de stofzuiger niet zonder het filter. Vervang een beschadigd filter onmiddellijk.**
3. **Probeer niet brandbare materialen, vuurwerk, brandende sigaretten, hete as, hete metaal-deeltjes, scherpe materialen, zoals scheermesjes, naalden, gebroken glas en dergelijke, op te zuigen.**
4. **GEBRUIK DE STOFZUIGER NOOIT IN DE BUURT VAN BENZINE, GAS, VERF, LIJM OF ANDERE UITERST EXPLOSIEVE STOFFEN.** De schakelaar produceert vonken bij het in- en uitschakelen. En dat doet ook de collector in de motor tijdens gebruik. Hierdoor kan een gevaarlijke explosie worden veroorzaakt.
5. **Deze stofzuiger is niet geschikt voor het opzuigen van gevaarlijk stof.**
6. **Zuig nooit giftige, kankerverwekkende, ontbrandbare of andere gevaarlijke stoffen op, zoals asbest, arsenicum, barium, beryllium, lood, pesticiden en andere gezondheidsbedreigende materialen.**
7. **Gebruik de stofzuiger nooit buitenshuis in de regen.**
8. **In Finland mag dit apparaat niet buitenshuis worden gebruikt bij lage temperaturen.**
9. **Gebruik hem niet dichtbij een warmtebron (fornuis, enz.).**
10. **Blokkeer de ventilatieopeningen niet. Deze ventilatieopeningen zorgen voor de koeling van de motor. Blokkering ervan moet altijd worden voorkomen omdat anders de motor zal doorbranden als gevolg van gebrek aan ventilatie.**
11. **Zorg altijd voor een stevige stand en goede lichaamsbalans.**
12. **U mag de slang niet knikken, eraan trekken of erop gaan staan.**
13. **Schakel de stofzuiger onmiddellijk uit als u tijdens gebruik slechte prestaties of iets abnormaals opmerkt.**
14. **VERWIJDER DE ACCU'S** wanneer het gereedschap niet in gebruik is, u er onderhoud aan gaat plegen, en u accessoires verwisselt.
15. **Reinig en onderhoud de stofzuiger onmiddellijk na elk gebruik om hem in optimale conditie te houden.**
16. **ONDERHOUD DE STOFZUIGER GOED.** Houd de stofzuiger schoon om beter en veiliger te kunnen werken. Houdt u aan de instructies voor het verwisselen van de accessoires. Houd de handgrepen droog, schoon en vrij van olie en vetten.
17. **CONTROLEER BESCHADIGDE ONDERDELEN.** Zonder de stofzuiger verder te gebruiken, moet een beschermkap of ander onderdeel dat beschadigd is eerst goed worden onderzocht om te beoordelen of het goed werkt en zijn beoogde functie kan uitvoeren. Controleer of bewegende delen goed uitgelijnd zijn en niet vastgelopen zijn, of onderdelen niet kapot zijn en stevig gemonteerd zijn, en enige andere situatie die van invloed kan zijn op de werking ervan. Een beschermkap of ander onderdeel dat beschadigd is, dient vakkundig te worden gerepareerd of vervangen door een erkend servicecentrum, behalve indien anders aangegeven elders in deze gebruiksaanwijzing. Laat een kapotte schakelaar vervangen door een erkend servicecentrum. Gebruik de stofzuiger niet als hij niet kan worden in- en uitgeschakeld met de schakelaar.
18. **VERVANGINGSONDERDELEN.** Gebruik tijdens reparaties uitsluitend identieke vervangingsonderdelen.
19. **Als de stofzuiger niet wordt gebruikt, bergt u hem binnenshuis op.**
20. **Behandel uw stofzuiger voorzichtig. Een ruwe behandeling kan leiden tot een defect van zelfs de meest stevig gebouwde stofzuiger.**
21. **Probeer niet de buitenkant of binnenkant van de stofzuiger schoon te maken met wasbenzine, thinner of schoonmaakmiddelen. Hierdoor kunnen barsten en verkleuringen ontstaan.**
22. **Gebruik de stofzuiger niet in een afgesloten ruimte waarin brandbare, explosieve of giftige dampen worden afgegeven door verf op olie-basis, thinner, benzine, bepaalde motenbestrijdingsmiddelen, enz., of op plaatsen waar brandbaar stof aanwezig is.**
23. **Gebruik de stofzuiger niet wanneer u onder invloed bent van drugs of alcohol.**
24. **Als basisveiligheidsmaatregel gebruikt u een beschermende bril of veiligheidsbril met zijstukken.**
25. **Gebruik een stofmasker onder stoffige werkomstandigheden.**
26. **Hanteer de stofzuiger en accu('s) nooit met natte handen.**
27. **Wees bijzonder voorzichtig tijdens stofzuigen op een trap.**
28. **Gebruik de stofzuiger niet als een kruk of werkbank. Anders kan het apparaat vallen, waardoor persoonlijk letsel kan worden veroorzaakt.**
29. **Laat bekendheid met gereedschappen door veelvuldig gebruik er niet toe leiden dat u gemakzuchtig wordt en de veiligheidsprincipes voor het werken met gereedschappen negeert. Een ondoordachte handeling kan in een**



fractie van een seconde leiden tot ernstig letsel.

### **Gebruik en verzorging van gereedschap dat op een accu werkt**

1. **Laad alleen op met de acculader aanbevolen door de fabrikant.** Een acculader die geschikt is voor een bepaald type accu, kan brandgevaar opleveren indien gebruikt met een ander type accu.
2. **Gebruik elektrisch gereedschap uitsluitend met de daarvoor bestemde accu.** Gebruik van andere accu's kan gevaar voor letsel of brandgevaar opleveren.
3. **Als de accu niet wordt gebruikt, houdt u deze uit de buurt van metalen voorwerpen, zoals paperclips, muntgeld, sleutels, spijkers, schroeven en andere kleine metalen voorwerpen die een kortsluiting kunnen veroorzaken tussen de accupolen.** Kortsluiting tussen de accupolen kan leiden tot brandwonden of brand.
4. **Onder zware gebruiksomstandigheden kan vloeistof uit de accu komen. Voorkom aanraking!** Als u er per ongeluk mee in aanraking komt, spoelt u het er met water af. Als de vloeistof in uw ogen komt, raadpleegt u tevens een arts. Vloeistof uit de accu kan irritatie en brandwonden veroorzaken.
5. **Gebruik geen accu of gereedschap dat beschadigd of gewijzigd is.** Beschadigde of gewijzigde accu's kunnen onvoorspelbaar gedrag vertonen dat kan leiden tot brand, explosie of gevaar van letsel.
6. **Stel een accu of gereedschap niet bloot aan vuur of buitensporige temperaturen.** Blootstelling aan vuur of temperaturen hoger dan 130 °C kunnen een explosie veroorzaken.
7. **Volg alle oplaadinstructies en laad de accu of het gereedschap niet op buiten het temperatuurbereik opgegeven in de instructies.** Verkeerd opladen of bij een temperatuur buiten het opgegeven bereik kan de accu beschadigen en de kans op brand vergroten.

### **Reparatie**

1. **Laat uw elektrisch gereedschap repareren door een vakbekwame reparateur die gebruik maakt van uitsluitend identieke vervangingsonderdelen.** Zo bent u ervan verzekerd dat de veiligheid van het elektrisch gereedschap behouden blijft.
2. **Repareer nooit een beschadigde accu.** Het repareren van een accu mag uitsluitend worden uitgevoerd door de fabrikant of een erkend servicecentrum.
3. **Volg de instructies voor het smeren en verwisselen van accessoires.**
4. **Houd de handgrepen droog, schoon en vrij van olie en vetten.**

## **Belangrijke veiligheidsinstructies voor een accu**

1. **Lees alle voorschriften en waarschuwingen op (1) de acculader, (2) de accu, en (3) het product waarvoor de accu wordt gebruikt, alvorens de accu in gebruik te nemen.**
2. **Haal de accu niet uit elkaar en saboteer hem niet.** Dit kan leiden tot brand, buitensporige hitte of een explosie.
3. **Als de gebruikstijd van een opgeladen accu aanzienlijk korter is geworden, moet u het gebruik ervan onmiddellijk stopzetten. Voortgezet gebruik kan oververhitting, brandwonden en zelfs een ontploffing veroorzaken.**
4. **Als elektrolyt in uw ogen is terechtgekomen, spoelt u uw ogen met schoon water en roept u onmiddellijk de hulp van een dokter in. Elektrolyt in de ogen kan blindheid veroorzaken.**
5. **Voorkom kortsluiting van de accu:**
  - (1) Raak de acculemmen nooit aan met een geleidend materiaal.
  - (2) Bewaar de accu niet in een bak waarin andere metalen voorwerpen zoals spijkers, munten e.d. worden bewaard.
  - (3) Stel de accu niet bloot aan water of regen. Kortsluiting van de accu kan oorzaak zijn van een grote stroomafgifte, oververhitting, brandwonden, en zelfs defecten.
6. **Bewaar en gebruik het gereedschap en de accu niet op plaatsen waar de temperatuur kan oplopen tot 50 °C of hoger.**
7. **Werp de accu nooit in het vuur, ook niet wanneer hij zwaar beschadigd of volledig versleten is. De accu kan ontploffen in het vuur.**
8. **Laat de accu niet vallen, sla er geen spijker in, snijd er niet in, gooi er niet mee en stoot hem niet tegen een hard voorwerp.** Dergelijke handelingen kunnen leiden tot brand, buitensporige hitte of een explosie.
9. **Gebruik nooit een beschadigde accu.**
10. **De bijgeleverde lithium-ionbatterijen zijn onderhevig aan de vereisten in de wetgeving omtrent gevaarlijke stoffen.**

Voor commercieel transport en dergelijke door derden en transporteurs moeten speciale vereisten ten aanzien van verpakking en etikettering worden nageleefd.

Als voorbereiding van het artikel dat wordt getransporteerd is het noodzakelijk een expert op het gebied van gevaarlijke stoffen te raadplegen. Houd u tevens aan mogelijk strengere nationale regelgeving.

Blootliggende contactpunten moeten worden afgedekt met tape en de accu moet zodanig worden verpakt dat deze niet kan bewegen in de verpakking.
11. **Wanneer u de accu wilt weggooien, verwijdt u de accu vanaf het gereedschap en gooit u hem op een veilige manier weg. Volg bij het weggooien van de accu de plaatselijke voorschriften.**
12. **Gebruik de accu's uitsluitend met de gereedschappen die door Makita zijn aanbevolen.** Als de accu's worden aangebracht in niet-compatibele gereedschappen, kan dat leiden tot brand, buitensporige warmteontwikkeling, een explosie of lekkage van elektrolyt.
13. **Als u het gereedschap gedurende een lange tijd niet denkt te gaan gebruiken, moet de accu vanaf het gereedschap worden verwijderd.**

14. Tijdens en na gebruik, kan de accu heet worden waardoor brandwonden of koude brandwonden kunnen worden veroorzaakt. Wees voorzichtig bij het hanteren van een hete accu.
15. Raak de aansluitpunten van het gereedschap niet onmiddellijk na gebruik aan omdat deze heet genoeg kunnen zijn om brandwonden te veroorzaken.
16. Zorg ervoor dat geen steenslag, stof of grond vast komt te zitten op/in de aansluitpunten, openingen en groeven van de accu. Hierdoor kan oververhitting, brand, een barst en een storing in het gereedschap of de accu ontstaan waardoor brandwonden of persoonlijk letsel kunnen ontstaan.
17. Behalve indien gebruik van het gereedschap is toegestaan in de buurt van hoogspanningsleidingen, mag u de accu niet gebruiken in de buurt van een hoogspanningsleiding. Dit kan leiden tot een storing of een defect van het gereedschap of de accu.
18. Houd de accu uit de buurt van kinderen.

## BEWAAR DEZE INSTRUCTIES.

**⚠ LET OP:** Gebruik uitsluitend originele Makita accu's. Het gebruik van niet-originele accu's, of accu's die zijn gewijzigd, kan ertoe leiden dat de accu ontploft en brand, persoonlijk letsel en schade veroorzaakt. Ook vervalt daarmee de garantie van Makita op het gereedschap en de lader van Makita.

## Tips voor een maximale levensduur van de accu

1. Laad de accu op voordat hij volledig ontladen is. Stop het gebruik van het gereedschap en laad de accu op telkens wanneer u vaststelt dat het vermogen van het gereedschap is afgenomen.
2. Laad een volledig opgeladen accu nooit opnieuw op. Te lang opladen verkort de levensduur van de accu.
3. Laad de accu op bij een omgevingstemperatuur tussen 10 °C en 40 °C. Laat een warme accu afkoelen alvorens hem op te laden.
4. Als de accu niet wordt gebruikt, verwijdert u hem vanaf het gereedschap of de lader.
5. Laad de accu op als u deze gedurende een lange tijd (meer dan zes maanden) niet gaat gebruiken.

## BESCHRIJVING VAN DE FUNCTIES

**⚠ LET OP:** Verzeker u er altijd van dat het apparaat is uitgeschakeld en de accu's zijn verwijderd voordat u de functies op het apparaat afstelt of controleert.

## De accu aanbrengen en verwijderen

**⚠ LET OP:** Schakel het apparaat altijd uit voordat u de accu aanbrengt of verwijdert.

**⚠ LET OP:** Houd het apparaat en de accu stevig vast tijdens het aanbrengen of verwijderen van de accu. Als u het apparaat en de accu niet stevig vasthoudt, kunnen deze uit uw handen glijpen en het apparaat of de accu beschadigen, of kan persoonlijk letsel worden veroorzaakt.

Om de accu's aan te brengen, lijnt u de lippen van de accu's uit met de groeven in de behuizing en duwt u de accu's op hun plaats. Steek ze er helemaal in tot ze op hun plaats worden vergrendeld met een klikgeluid. Wanneer de rode delen zichtbaar zijn, zoals aangegeven in de afbeelding, zijn de accu's niet geheel vergrendeld.

Om de accu's te verwijderen, houdt u de knoppen aan de voorkant van de accu's ingedrukt en schuift u tegelijkertijd de accu's uit de accubehuizing.

► Fig.1: 1. Rood deel 2. Knop 3. Rechter accu 4. Linker accu

**⚠ LET OP:** Breng de accu altijd helemaal aan totdat het rode deel niet meer zichtbaar is. Als u dit niet doet, kan de accu per ongeluk uit het apparaat vallen en u of anderen in uw omgeving verwonden.

**⚠ LET OP:** Breng de accu niet met kracht aan. Als de accu niet gemakkelijk in het gereedschap kan worden geschoven, wordt deze niet goed aangebracht.

De stofzuiger heeft twee accugleuven. Afhankelijk van uw behoeften kunt u kiezen tussen gebruik met twee accu's of één accu.

### Met twee accu's

Continue voeding door twee accu's maakt een langere gebruiksduur en efficiënter stofzuigen mogelijk. Wanneer de eerste accu leeg raakt, schakelt de stofzuiger automatisch de voedingsbron om naar de tweede accu zodat de stofzuiger blijft werken.

**OPMERKING:** De rechter accugleuf (gezien vanaf de voorkant van de stofzuiger) krijgt voorrang op de linker accugleuf. De linker accugleuf wordt alleen als voedingsbron gebruikt als in de rechter accugleuf geen accu is aangebracht of als de accu in de rechter accugleuf leeg raakt.

**OPMERKING:** U kunt de accu uit de rechter accugleuf verwijderen en deze opladen nadat de stofzuiger de voedingsbron heeft omgeschakeld van de rechter accugleuf naar de linker accugleuf zonder te zijn gestopt. Om de voorrang terug te geven aan de rechter accugleuf nadat u daarin een opgeladen accu hebt aangebracht, start u de stofzuiger opnieuw.

**OPMERKING:** Wanneer de stofzuiger de voedingsbron omschakelt van de eerste accu naar de tweede, kan het nodig zijn de werking tijdelijk te onderbreken, waardoor de zuigkracht kort verloren gaat. Dit is geen storing en de stofzuiger hervat na de pauze onmiddellijk weer de normale werking.

### Met één accu

Slechts één accu is vereist als voedingsbron in de rechter of linker accugleuf. De stofzuiger bepaalt automatisch welke accugleuf beschikbaar is.

## De resterende acculading controleren

Druk op de testknop op de accu om de resterende acculading te zien. De indicatorlampjes branden gedurende enkele seconden.

► Fig.2: 1. Indicatorlampjes 2. Testknop

Indicatorlampjes			Resterende acculading
Brandt	Uit	Knippert	
			75% tot 100%
			50% tot 75%
			25% tot 50%
			0% tot 25%
			Laad de accu op.
			Er kan een storing zijn opgetreden in de accu.

**OPMERKING:** Afhankelijk van de gebruiksomstandigheden en de omgevingstemperatuur, is het mogelijk dat de aangegeven acculading verschilt van de werkelijke acculading.

**OPMERKING:** Het eerste (meest linker) indicatorlampje knippert wanneer het accubeveiligingssysteem in werking is getreden.

## De resterende acculading afbeelden op het bedieningskastje

De resterende acculading kan worden gecontroleerd op het bedieningskastje. Druk op de knop om de resterende acculadingen weer te geven.

De letters "L" en "R" op het bedieningskastje komen overeen met respectievelijk de linker en rechter accu. Volg de letteraanduiding wanneer u de accu vervangt.

► Fig.3: 1. Accu-indicator 2. Accucontrole-/LED-lampknop

Toestand van accu-indicator			Resterende acculading
Aan	Uit	Knippert	
			50% tot 100%
			20% tot 50%

Toestand van accu-indicator			Resterende acculading
Aan	Uit	Knippert	
			0% tot 20%
			Laad de accu op.

## Apparaat-/accubeveiligingssysteem

Het apparaat is uitgerust met een apparaat-/accubeveiligingssysteem. Dit systeem schakelt automatisch de voeding naar de motor uit om de levensduur van het apparaat en de accu te verlengen. In deze situatie brandt de accu-indicator zoals aangegeven in de volgende tabel.

Toestand van accu-indicator			Status
Aan	Uit	Knippert	
			Overbelastingsbeveiliging (accu) / Oververhittingsbeveiliging (accu) / Overontladingsbeveiliging
			Oververhittingsbeveiliging (apparaat)

Het apparaat en de LED-lamp zullen tijdens het gebruik automatisch stoppen wanneer het apparaat of de accu zich in één van de volgende omstandigheden bevindt:

### Overbelastingsbeveiliging

Wanneer het apparaat/de accu wordt gebruikt op een manier die een abnormaal hoge stroomsterkte vergt, stopt het apparaat automatisch. Schakel in dat geval het apparaat uit en stop met de toepassing die ertoe leidde dat het apparaat overbelast raakte. Schakel vervolgens het apparaat in om het weer te starten.

### Oververhittingsbeveiliging

Wanneer het apparaat/de accu oververhit is, stopt het apparaat automatisch. Laat in dat geval het apparaat/de accu afkoelen voordat u het apparaat weer inschakelt.

### Beveiliging tegen te ver ontladen

Als de acculading laag is, stopt het apparaat automatisch. Als het apparaat niet werkt, ook niet wanneer de schakelaars worden bediend, verwijdert u de accu's vanaf het apparaat en laadt u de accu's op.

### Beveiliging tegen andere oorzaken

Het beveiligingssysteem is ook ontworpen voor andere oorzaken die het apparaat kunnen beschadigen, en zorgt ervoor dat het apparaat onmiddellijk stopt. Voer alle volgende stappen uit om de oorzaken op te heffen,

wanneer het apparaat tijdelijk is onderbroken of tijdens het gebruik is gestopt.

1. Schakel het apparaat uit en schakel het daarna weer in om het opnieuw te starten.
2. Laad de accu(s) op of vervang hem/ze door (een) opgeladen accu(s).
3. Laat het apparaat en de accu(s) afkoelen.

Als geen verbetering optreedt nadat het beveiligingssysteem is gereset, neemt u contact op met uw lokale Makita-servicecentrum.

## Plaats van het bedieningskastje

Het bedieningskastje kan aan elke zijkant van de onderste riem worden opgehangen. Geleid het snoer zodat het bedieningskastje aan de gewenste zijkant uitkomt. Om te voorkomen dat het snoer beschadigd raakt, geleid u het snoer door de groef, zoals afgebeeld.

► Fig.4: 1. Groef 2. Snoer

## De riemen afstellen

De lengte van de schouderriemen, de onderste riem en de bovenste riem kan worden afgesteld. Steek eerst uw armen door de schouderriemen en bevestig daarna de onderste en bovenste riemen. Om strak te trekken, trekt u aan de uiteinden van de riem, zoals afgebeeld. Om los te maken, tilt u het uiteinde van de gesp op.

### Onderste riem

► Fig.5: 1. Riem 2. Gesp

### Schouderriemen

► Fig.6: 1. Riem 2. Gesp

### Bovenste riem

► Fig.7: 1. Riem 2. Gesp


## Draaghandgreep

Pak altijd de draaghandgreep vast wanneer u de behuizing van de stofzuiger hanteert.

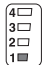

► Fig.8: 1. Draaghandgreep



## De trekkerschakelaar gebruiken

Om de stofzuiger in te schakelen, drukt u gewoon op de knop ①. Om uit te schakelen, drukt u nogmaals op de knop ①.

U kunt de zuigkracht van de stofzuiger in vier stappen instellen door op de knop  te drukken. Bij elke druk op deze knop doorloopt u herhaaldelijk de functies 1 tot en met 4.

► Fig.9: 1. Zuigkrachtkeuzeknop  2. Aan-uitknop ①

Niveau	Indicator	Functie
1		Stand voor stille werking
2		Stand voor normale snelheid



Niveau	Indicator	Functie
3		Stand voor hoge snelheid
4		Stand voor maximale snelheid

**OPMERKING:** U kunt de zuigkracht instellen voordat u de stofzuiger inschakelt.

**OPMERKING:** De stofzuiger heeft bij het inschakelen dezelfde zuigkracht als bij de laatste keer uitschakelen.

**OPMERKING:** Als u het apparaat uitschakelt en onmiddellijk daarna de accu verwijdert terwijl de motor nog draait, start de stofzuiger de volgende keer mogelijk niet met dezelfde zuigkracht als bij het laatste gebruik.

## LED-lamp

De LED-lamp is aangebracht in de voorkant van het bedieningskastje om het werken op donkere plaatsen te vergemakkelijken. Houd de knop  ingedrukt om de lamp in te schakelen. Om uit te schakelen, houdt u de knop  nogmaals ingedrukt.

► Fig.10

**⚠ LET OP:** Kijk niet rechtstreeks in de lamp of naar de bron van het licht. Richt de lamp nooit op de ogen van anderen.

**OPMERKING:** De LED-lamp wordt automatisch uitgeschakeld wanneer de stofzuiger gedurende langer dan 10 minuten niet wordt bediend.

## Slangriem

De slangriem kan worden gebruikt voor het vastmaken van de slang of het flexibele rubber mondstuk.

Om de slang vast te maken aan de behuizing van de stofzuiger, steekt u de slangriem door de gleuf op de behuizing. U kunt de slangriem aan beide zijanten vastmaken.

► Fig.11: 1. Slangriem 2. Gleuf 3. Slang

De lussen aan de onderste riem kunnen worden gebruikt om een mondstuk aan te hangen, zoals afgebeeld.

► Fig.12: 1. Lus 2. Mondstuk

## Slanghaak

Wanneer u het werk onderbreekt, kan de haak op de bochtbuis worden gebruikt om de buis aan het ophanggedeelte van de onderste riem te hangen.

► Fig.13: 1. Haak 2. Onderste riem 3. Ophanggedeelte

# MONTAGE

**⚠ LET OP:** Verzeker u er altijd van dat het apparaat is uitgeschakeld en de accu is verwijderd voordat u enige werkzaamheden aan het apparaat uitvoert.

## De slang aansluiten

Steek het aansluitstuk van de slang in de behuizing van de stofzuiger en draai het rechtsonder.

► **Fig.14:** 1. Aansluitstuk van de slang 2. Behuizing van de stofzuiger

## Gebruik als stofzuiger

### De bochtbuis bevestigen

#### Optioneel accessoire

**OPMERKING:** U hoeft deze procedure niet uit te voeren als uw model werd geleverd met een bochtbuis bevestigd aan de slang.

**OPMERKING:** Er zijn twee typen bochtbuizen: een voor de telescoopbuis met knop en een voor de telescoopbuis met ring. Bij het voorbereiden van de bochtbuis, kiest u het type dat past bij uw gewenste type telescoopbuis.

De bochtbuis wordt gebruikt om de telescoopbuis of het mondstuk voor stofzuigen aan te sluiten op dit apparaat. Als u dit apparaat wilt gebruiken als een stofzuiger, bevestigt u de bochtbuis aan de slang.

#### Voor de opschroef-bochtbuis

Om te bevestigen, draait u het voorste aansluitstuk los van de slang, en bevestigt u de mof van de bochtbuis aan de slang.

Om te verwijderen, maakt u de mof van de bochtbuis los van de slang.

► **Fig.15:** 1. Slang 2. Bochtbuis 3. Mof

#### Voor de opklik-bochtbuis

Om te bevestigen, steekt u het slanguiteinde in de bochtbuis. Verzekert u ervan dat de lippen op het slanguiteinde in de uitsparingen in de bochtbuis vallen.

Om te verwijderen, trekt u aan de bochtbuis terwijl u beide lippen op het slanguiteinde indrukt.

► **Fig.16:** 1. Slanguiteinde 2. Lip 3. Uitsparing 4. Bochtbuis

### Het mondstuk en de buis bevestigen

#### Optioneel accessoire

**OPMERKING:** Het type mondstuk en buis dat bij het apparaat wordt geleverd, verschilt afhankelijk van het land. In sommige landen zijn het mondstuk en de buis niet inbegrepen.

1. Draai en steek het mondstuk in de telescoopbuis.

► **Fig.17:** 1. Telescoopbuis 2. Flexibel rubber mondstuk 3. Hoekmondstuk 4. Vloermondstuk

Bij gebruik van het T-wisselmondstuk vloer/tapijt kunt u de functie veranderen afhankelijk van de plaats van gebruik.

— Vloerfunctie: geschikt voor een gladde ondergrond, zoals een harde vloer

— Tapijtfunctie: geschikt voor een harige ondergrond, zoals een tapijt of karpet

► **Fig.18:** 1. Functiewisselknop 2. Vloerfunctie 3. Tapijtfunctie

**OPMERKING:** Door het mondstuk te draaien terwijl u het erin steekt, kan het mondstuk stevig worden bevestigd op de telescoopbuis.

**OPMERKING:** Voor het model met een slang van  $\varnothing 38$  mm en voorste aansluitstuk 38, bevestigt u het bijgeleverde mondstuk aan de aluminium bochtbuis/aluminium rechte buis.

2. Volg de onderstaande procedure, afhankelijk van het type telescoopbuis:

**OPMERKING:** De telescoopbuis met knop en de telescoopbuis met ring zijn niet compatibel met elkaar. Als u de telescoopbuis met knop wilt vervangen door de telescoopbuis met ring, of vice versa, moet u tevens de bochtbuis vervangen.

#### Voor een telescoopbuis met knop

Draag de behuizing van de stofzuiger op uw rug en steek daarna de telescoopbuis in de bochtbuis tot deze vastklikt. Om hem los te koppelen, trekt u de telescoopbuis eraf door op de knop te drukken.

► **Fig.19:** 1. Bochtbuis 2. Knop 3. Telescoopbuis met knop 4. Flexibel rubber mondstuk

De lengte van de buis kan worden aangepast.

Druk op de schuifknop en stel de lengte van de buis af.

De lengte wordt vergrendeld wanneer u de schuifknop loslaat.

► **Fig.20:** 1. Schuifknop

#### Voor een telescoopbuis met ring

Draag de behuizing van de stofzuiger op uw rug en draai en steek daarna de telescoopbuis in de bochtbuis. Om hem los te koppelen, draait u hem en trekt u hem eraf.

► **Fig.21:** 1. Bochtbuis 2. Telescoopbuis met ring 3. Flexibel rubber mondstuk

**OPMERKING:** Het flexibele rubber mondstuk kan rechtstreeks zonder buisvergrendeling op de bochtbuis worden bevestigd.

De lengte van de buis kan worden aangepast.

Draai de ring op de buis los en stel de lengte van de buis af. Draai op de gewenste lengte de ring weer vast.

► **Fig.22:** 1. Ring

#### Voor de aluminium bochtbuis/aluminium rechte buis

(Alleen voor het model met een slang van  $\varnothing 38$  mm en voorste aansluitstuk 38)

Draag de behuizing van de stofzuiger op uw rug en draai en steek daarna de buis in het voorste aansluitstuk. Om hem los te koppelen, draait u hem en trekt u hem eraf.

► **Fig.23:** 1. Voorste aansluitstuk 38 2. Aluminium bochtbuis 3. Aluminium rechte buis 4. Vloermondstuk

#### Voor de twee aluminium rechte buizen

Draag de behuizing van de stofzuiger op uw rug en draai en steek daarna de buizen erin. Om hem los te

koppelen, draait u hem en trekt u hem eraf.

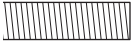
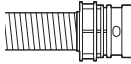

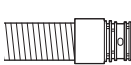
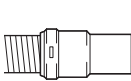
- **Fig.24:** 1. Bochtbuis 2. Aluminium rechte buis 1  
3. Aluminium rechte buis 2

## Het gereedschap aansluiten

**OPMERKING:** Als de bochtbuis is bevestigd aan de slang, verwijdert u deze van tevoren.

Om een gereedschap aan te sluiten op de stofzuiger, zijn een speciale slang en/of extra onderdelen noodzakelijk. Afhankelijk van uw model stofzuiger dient u de slang te vervangen en/of extra onderdelen voor te bereiden.

Raadpleeg de onderstaande tabel voor meer informatie.

Geleverte slangdiameter	Type slanguiteinde	Handeling
ø28 mm	 zonder onderdeel	Bevestig het voorste aansluitstuk.
	 met opklik-onderdeel	Vervang het slanguiteinde (opklik-onderdeel) met het voorste aansluitstuk. Het slanguiteinde kan worden verwijderd door het linksom te draaien.
ø32 mm	 met opklik-onderdeel	Vervang de slang door een slang die bedoeld is voor stofafzuiging (ø28 mm, met voorste aansluitstuk).
ø38 mm	 met opklik-onderdeel	Vervang de slang door een slang die bedoeld is voor stofafzuiging (ø28 mm, met voorste aansluitstuk).
	 met voorste aansluitstuk 38	Bevestig het verloopstuk 22-38 of het voorste aansluitstuk 24.

**OPMERKING:** Gebruik altijd een goed passend voorste aansluitstuk. Bij gebruik van het voorste aansluitstuk 24, bevestigt u dit op het voorste aansluitstuk 22 dat is aangesloten op de slang.

- **Fig.25:** 1. Voorste aansluitstuk 22 2. Voorste aansluitstuk 24

## Bij gebruik van een stofafzuigslang van ø28 mm

1. Bevestig het voorste aansluitstuk op de slang om stof af te zuigen.

Zorg ervoor dat bij het aanbrengen van het voorste aansluitstuk dit stevig op de slang wordt gedraaid.

2. Sluit het voorste aansluitstuk aan op de stofafzuigmond van het gereedschap.

- **Fig.26:** 1. Voorste aansluitstuk 2. Stofafzuigmond 3. Slang

Het voorste aansluitstuk kan worden verwijderd door hem linksom te draaien terwijl u de slang vasthoudt.

## Bij gebruik van een slang van ø38 mm met voorste aansluitstuk 38

1. Draai en steek het verloopstuk of het voorste aansluitstuk in de aansluitopening van de slang, afhankelijk van het gereedschap dat u gaat aansluiten.

2. Sluit het voorste aansluitstuk aan op de stofafzuigmond van het gereedschap.

- **Fig.27:** 1. Verloopstuk 2. Voorste aansluitstuk 3. Stofafzuigmond 4. Slang

Om het verloopstuk en het voorste aansluitstuk te verwijderen, volgt u de procedure voor het aanbrengen in omgekeerde volgorde.

## De filterzak/stofzak aanbrengen

### Optioneel accessoire

**⚠ LET OP:** Gebruik nooit een beschadigde filterzak. Gebruik de stofzuiger altijd met een correct aangebrachte filterzak. Anders kan het opgezogen stof of deeltjes worden uitgeblazen door de stofzuiger en kunnen deze ademhalingsziekten veroorzaken bij de gebruiker.

Breng de filterzak of stofzak aan voordat u de stofzuiger gebruikt.

- De stoffen stofzak kan veel keren worden hergebruikt door hem leeg te maken.
- De filterzak is voor eenmalig gebruik. Wanneer de filterzak vol is, gooit u hem in zijn geheel weg zonder hem leeg te maken.

**KENNISGEVING:** Als de filterzak vol is, vangt u deze door een nieuwe. Als de stofzak vol is, maakt u deze leeg. Als u het apparaat met een volle filterzak/stofzak blijft gebruiken, zal de zuigkracht afnemen.

**KENNISGEVING:** Om te voorkomen dat stof in de motor kan binnendringen:

- Verzeker u er vóór gebruik van dat de filterzak/stofzak is aangebracht.
- Gebruik geen kapotte of gescheurde stofzak.

Anders kan de motor defect raken.

**KENNISGEVING:** Vouw het karton niet bij de opening wanneer u de filterzak/stofzak aanbrengt.

**KENNISGEVING:** De filterzak/stofzak is een belangrijk onderdeel voor het behouden van de prestaties van de stofzuiger. Het gebruik van een niet-originele filterzak/stofzak kan leiden tot rook of ontbranding.

**OPMERKING:** Als de filterzak/stofzak niet in de stofzuiger is aangebracht, kan de voorklep niet volledig worden gesloten.

► Fig.28

1. Ontgrendel de hendel en open de voorklep.

► Fig.29: 1. Hendel 2. Voorklep

2. Steek de filterzak in de sleuf in de bovenkant binnenin de filterkast.

► Fig.30: 1. Sleuf 2. Filterzak

Wanneer de stofzak wordt gebruikt, steekt u de rand van de stofzak in de sleuf.

► Fig.31: 1. Sleuf 2. Rand 3. Stofzak

3. Lijn de opening van de filterzak uit met het aansluitstuk van de slang en duw het kartonnen deel zo ver mogelijk erover. Zorg ervoor dat de rubber ring op de filterzak over de rand op het aansluitstuk van de slang valt.

► Fig.32: 1. Rubber ring op de filterzak 2. Rand op het aansluitstuk van de slang 3. Kartonnen deel van de filterzak 4. Aansluitstuk van de slang

4. Vergrendel de voorklep zorgvuldig.

**⚠ LET OP:** Wees voorzichtig bij het vasthaken van de vergrendeling van de filterzak en bij het vergrendelen van de voorklep dat uw vingers niet bekneld raken.

## Hoes voor het draagstel

### Optioneel accessoire

Als u de hoes voor het draagstel wilt gebruiken, volgt u de onderstaande procedure om hem te bevestigen.

**OPMERKING:** Let er bij het aanbrengen van de hoes voor het draagstel goed op dat u de voor- en achterkant niet verwisselt.

**OPMERKING:** De hoes voor het draagstel kan worden gewassen. Volg de wasinstructies op het label.

► Fig.33

1. Spreid de hoes voor het draagstel uit over het draagstel.

► Fig.34

2. Bevestig de schouderriemen van het draagstel met behulp van de klittenbandbevestiging van de hoes voor het draagstel. Haak de band van de hoes voor het draagstel vast aan het draagstel.

► Fig.35

## BEDIENING

**⚠ WAARSCHUWING:** Gebruikers moeten goed worden geïnstrueerd over het gebruik van de stofzuiger.




**⚠ WAARSCHUWING:** Deze stofzuiger is niet geschikt voor het opzuigen van gevaarlijk stof.

**⚠ LET OP:** Deze stofzuiger is alleen geschikt voor droog gebruik.

**⚠ LET OP:** Wees u tijdens gebruik bewust van de stofzuiger op uw rug. U kunt uw evenwicht verliezen als de behuizing van de stofzuiger tegen een muur aan stoot of de slang ergens achter blijft haken.

1. Plaats de behuizing van de stofzuiger om uw schouders en bevestig de bovenste en onderste riemen. Maak de riemen naar wens strakker.

► Fig.36

2. Druk op de knop  om het stofzuigen te starten. Als u de zuigkracht wilt veranderen, drukt u op de knop  totdat de gewenste zuigkracht is geselecteerd. Druk op de knop  om te stoppen.

► Fig.37

Haak het bedieningskastje tijdens gebruik aan de D-ring of het ophanggedeelte van de onderste riem. De haak kan schuin worden gezet om naar voren te schijnen wanneer het aan het ophanggedeelte is gehaakt.

► Fig.38: 1. D-ring 2. Ophanggedeelte

3. Vervang de filterzak wanneer deze vol is. Open de voorklep en haal de filterzak eruit. Trek aan de strip aan de zijkant van de opening om de filterzak te sluiten en gooi de gehele filterzak weg.

► Fig.39: 1. Strip

Wanneer een stofzak wordt gebruikt, haalt u de stofzak eruit, ontgrendelt u de vergrendeling en gooit u het stof eruit.

► Fig.40: 1. Vergrendeling

**KENNISGEVING:** Plaats de filterzak/stofzak of een ander zwaar voorwerp niet op de voorklep. Het apparaat kan omvallen.

**KENNISGEVING:** Controleer regelmatig of de filterzak vol is of niet. Als u de volle filterzak blijft gebruiken, zal de zuigkracht afnemen.

**KENNISGEVING:** Gebruik nooit een gebruikte filterzak. De filterzak is ontworpen voor eenmalig gebruik. Als de filterzak meerdere keren wordt gebruikt, kan het filter verstopt raken en de stofzuiger worden beschadigd. Als u de zak meerdere keren wilt gebruiken, gebruikt u een stofzak.

## ONDERHOUD

**⚠ LET OP:** Zorg er altijd voor dat het apparaat is uitgeschakeld en de accu is verwijderd voordat u een inspectie of onderhoud uitvoert.

**KENNISGEVING:** Gebruik nooit benzine, wasbenzine, thinner, alcohol en dergelijke. Hierdoor kunnen verkleuring, vervormingen en barsten worden veroorzaakt.

Om de VEILIGHEID en BETROUWBAARHEID van het gereedschap te handhaven, dienen alle reparaties, onderhoud of afstellingen te worden uitgevoerd bij een erkend Makita-servicecentrum of de Makita-fabriek, en altijd met gebruik van Makita-ervangingsonderdelen.

## Het HEPA-filter schoonmaken

**⚠ LET OP:** Gebruik de stofzuiger niet zonder filter en blijf een vuil of beschadigd filter niet gebruiken. Opgezogen stof of deeltjes kunnen worden uitgeblazen door de stofzuiger en deze kunnen ademhalingsziekten veroorzaken bij de gebruiker.

**KENNISGEVING:** Om een optimale zuigkracht en schone uitlaatlucht te behouden, moet het filter regelmatig worden schoongemaakt. Als onvoldoende zuigkracht wordt verkregen, zelfs na het schoonmaken, vervangt u het filter door een nieuwe.

**KENNISGEVING:** Om te voorkomen dat het filter wordt beschadigd, mag u de volgende gereedschappen en soortgelijke items niet gebruiken om het schoon te maken:

- Luchtblazer
- Hogedrukreiniger
- Gereedschappen gemaakt van harde materialen, zoals een draadborstel

1. Open de voorklep en haal de filterzak/stofzak eruit. Ontgrendel de haak op het filter en verwijder het uit de behuizing van de stofzuiger.

► Fig.41: 1. Haak 2. HEPA-filter

2. Sla het stof van het filter af. Het filter mag worden gewassen met water. Spoel elke 1 of 2 maanden het stof en de deeltjes van het filter af. Droog daarna het

filter volledig op een goed geventileerde plaats in de schaduw om vieze luchtjes of storingen te voorkomen.

3. Om het filter aan te brengen, steekt u de zijkant zonder de haken in de groef en duwt u het filter erin totdat de haken met een klik worden vergrendeld.

► Fig.42: 1. Groef 2. HEPA-filter 3. Haak

## Het sponsfilter schoonmaken

**⚠ LET OP:** Nadat de sponsfilters zijn schoongemaakt, verzekert u zich ervan deze weer aan te brengen in de stofzuiger. Indien ze in water zijn gewassen, droogt u ze zorgvuldig voordat u ze weer aanbrengt. Onvoldoende gedroogde sponsfilters kunnen de levensduur van de motor verkorten.

Sponsfilters onder het HEPA-filter voorkomt dat stof in de motor terechtkomt.

1. Verwijder de sponsfilters uit de stofzuiger.

► Fig.43: 1. Sponsfilter

2. Veeg en tik het stof met de hand van het sponsfilter af. Wanneer de sponsfilters verstopt zijn, wast u deze in zeepwater.

► Fig.44

3. Breng de sponsfilters aan in hun oorspronkelijke positie.

## De stofzak reinigen

Reinig de stofzak regelmatig met zeep en water. Keer de stofzak binnenste buiten en verwijder aanklevend stof. Was licht met de hand en spoel goed met water. Laat volledig drogen voordat u hem weer in de stofzuiger aanbrengt.

► Fig.45

**KENNISGEVING:** Een natte stofzak vermindert de prestaties van de stofzuiger en tevens de levensduur van de motor.

## Een verstopping opheffen

Om een verstopping op te heffen, verwijdert u de slang of de telescoopbuis, of de bochtbuis om de binnenkant te controleren.

Raadpleeg het tekstdeel over het bevestigen van de bochtbuis.

## De ruimte voor de filterzak/stofzak schoonmaken

Dit apparaat is uitgerust met een stoftrilsysteem. Wanneer u loopt terwijl u de stofzak draagt, trillen de veren onder de bodemplaat en schudden zo het stof vanaf de filterzak/stofzak.

Om de ruimte voor de filterzak/stofzak schoon te maken, verwijdert u de bodemplaat en veegt u deze af.

► Fig.46: 1. Bodemplaat

## De bodemplaat verwijderen

1. Verwijder het HEPA-filter. Raadpleeg het tekstdeel over het schoonmaken van het HEPA-filter voor informatie over hoe het moet worden verwijderd.



2. Duw de bodemplaat omlaag en schuif hem naar links totdat de bodemplaat de zijkant raakt.

3. Til de rechterkant van de bodemplaat op en haal hem eruit.

► **Fig.47:** 1. Bodemplaat

De bodemplaat wordt ondersteund door drie veren. Als de veren zijn losgekomen van de uitsteeksels, bevestigt u ze weer zoals afgebeeld.

► **Fig.48:** 1. Lange veer 2. Korte veer 3. Uitsteeksel

**OPMERKING:** Bevestig de veren stevig zodat de veren de voet van de uitsteeksels raken.

## De bodemplaat aanbrengen

1. Steek de rechte zijkant van de bodemplaat onder de haken onderaan de linker zijkant van de ruimte.

2. Breng de rechterkant van de bodemplaat op zijn plaats.

► **Fig.49:** 1. Bodemplaat 2. Rechte zijkant 3. Haak

## CYCLOONHULPSTUK

### Optioneel accessoire

**OPMERKING:** Bij gebruik van het cycloonhulpstuk op dit apparaat is tevens de gebogen buis vereist.

► **Fig.50:** 1. Cycloonhulpstuk

## Over het cycloonhulpstuk

Als u de stofzuiger gebruikt met het cycloonhulpstuk aangebracht, wordt de hoeveelheid stof verlaagd die in de stofzak terecht komt, wat helpt om de afname van de zuigkracht te voorkomen. Bovendien is het schoonmaken na gebruik ook eenvoudig.

**⚠ LET OP:** Zorg altijd dat het gereedschap is uitgeschakeld en de accu ervan is verwijderd alvorens enige werkzaamheden aan het gereedschap uit te voeren. Als u de accu erop laat zitten, kan de stofzuiger onverwachts starten en letsel veroorzaken.

**⚠ LET OP:** Reinig het gaasfilter van het cycloonhulpstuk en de stofzak van de stofzuiger wanneer deze verstopt raken. Als u hem blijft gebruiken terwijl deze verstopt zijn, kan dat leiden tot warm worden en rook.

**KENNISGEVING:** Wanneer het cycloonhulpstuk is aangebracht, mag u het cycloonhulpstuk niet in een horizontale of omhoog gerichte stand gebruiken. Als u dat toch doet, kan het gaasfilter verstopt raken.

**KENNISGEVING:** Gebruik de stofzuiger altijd met de stofzak aangebracht, ook wanneer u het cycloonhulpstuk gebruikt. Als u de stofzuiger gebruikt zonder dat de stofzak is aangebracht, kan een storing optreden in de motor.

**OPMERKING:** Controleer vóór gebruik of het cycloonhulpstuk, de stofzuiger en de rechte buis goed zijn vergrendeld.

**OPMERKING:** Maak de stofopvangdoos van het cycloonhulpstuk en de stofzak van de stofzuiger leeg wanneer stof zich heeft opgehoopt. Als u hem blijft gebruiken, zal dat leiden tot een lagere zuigkracht.

**OPMERKING:** U kunt het cycloonhulpstuk gebruiken met of zonder de vergrendelingsfunctie.

**OPMERKING:** Om het cycloonhulpstuk aan te brengen of te verwijderen, raadpleegt u het tekstdeel "Gebruiken als een stofzuiger".

## Het stof weggoaien

Wanneer het stof zich heeft opgehoopt tot aan de 'vol'-lijn op de stofopvangdoos, volgt u de onderstaande procedure en gooit u het stof weg.

1. Houd de stofopvangdoos stevig vast, houd de twee knoppen ingedrukt en verwijder de stofopvangdoos.

► **Fig.51:** 1. 'Vol'-lijn 2. Stofopvangdoos 3. Knop (twee plaatsen) 4. Gaasfilter

2. Gooi het stof in de stofopvangdoos weg en verwijder alle stof en poeder die vastzit op het oppervlak van het gaasfilter.

3. Steek de stofopvangdoos helemaal erop totdat de twee knoppen met een klik vergrendelen.

► **Fig.52:** 1. Stofopvangdoos 2. Knop (twee plaatsen)

**OPMERKING:** Controleer vóór gebruik of het cycloonhulpstuk, de stofzuiger en de rechte buis goed zijn vergrendeld voordat u de werkzaamheden hervat.

**OPMERKING:** Als de zuigkracht niet is hersteld nadat het stof is weggegooid en het gaasfilter is schoongemaakt, controleert u of stof zich heeft opgehoopt in de stofzak van de stofzuiger of er een verstopping is optreden.

## Schoonmaken

Wanneer de stofopvangdoos vuil wordt of het gaasfilter verstopt raakt, verwijdert u ze en wast u ze af met water. (Raadpleeg "Het stof weggoaien" voor de verwijderingsprocedure.)

Laat de onderdelen goed drogen voordat u ze weer aanbrengt en gebruikt.

► **Fig.53:** 1. Stofopvangdoos 2. Gaasfilter

Wanneer het gaasfilter erg vuil wordt, reinigt u het aan de hand van de volgende procedure.

1. Draai het gaasfilter linksom en verwijder het nadat de haken ontgrendeld zijn.

► **Fig.54:** 1. Gaasfilter 2. Haak

2. Verwijder het stof op het gaasfilter en was het daarna met water. Laat het vervolgens goed drogen.

3. Steek het gaasfilter in de voet terwijl de haken zijn uitgelijnd met de openingen. Draai het gaasfilter rechtsom tot de haken met een klik worden vergrendeld. Verzeker u ervan dat het gaasfilter stevig is aangebracht.

► **Fig.55:** 1. Gaasfilter 2. Haak 3. Opening

# OPTIONELE ACCESSOIRES

**⚠ LET OP:** Deze accessoires of hulpstukken worden aanbevolen voor gebruik met het Makita-product dat in deze gebruiksaanwijzing wordt beschreven. Het gebruik van andere accessoires of hulpstukken kan gevaar voor persoonlijk letsel opleveren. Gebruik de accessoires of hulpstukken uitsluitend voor de aangegeven doeleinden.

Sommige accessoires kunnen niet worden aangebracht als gevolg van de combinatie van de onderdelen. Wenst u meer bijzonderheden over deze accessoires, neem dan contact op met het plaatselijke Makita-servicecentrum.

- Slang (voor stofzuiger-type)
- Slang (voor stofafzuigstelsysteem-type)
- Telescoopbuis
- Flexibel rubber mondstuk
- Vloermondstuk
- Stoelmondstuk
- Hoekmondstuk
- Boekenplankborstel
- Ronde borstel
- Bochtbuis
- Filterzak
- Stofzak
- Voorste aansluitstuk
- HEPA-filter
- Buis
- Hoes voor draagstel
- Cycloonhulpstuk
- Originele Makita accu's en acculaders

**OPMERKING:** Sommige items op de lijst kunnen zijn inbegrepen in de doos van het gereedschap als standaard toebehoren. Deze kunnen van land tot land verschillen.

## ADVERTENCIA

- Esta máquina no ha sido prevista para ser utilizada por personas (incluidos niños) con capacidades físicas, sensoriales o mentales reducidas, o falta de experiencia y conocimiento.
- Los niños pequeños deberán ser supervisados para asegurarse de que no juegan con la aspiradora.
- Consulte el capítulo “ESPECIFICACIONES” para ver la referencia del tipo de batería.
- Consulte la sección “Instalación o extracción del cartucho de batería” para ver cómo retirar o instalar la batería.
- Para desechar el cartucho de batería, retírelo de la herramienta y deséchelo en un lugar seguro. Siga los reglamentos locales referentes al desecho de la batería.
- Si la herramienta no va a ser utilizada durante un periodo de tiempo largo, la batería deberá ser retirada de la herramienta.
- No cortocircuite el cartucho de batería.
- Consulte el capítulo “MANTENIMIENTO” para ver los detalles apropiados de las precauciones durante el mantenimiento hecho por el usuario.

## ESPECIFICACIONES

<b>Modelo:</b>		<b>VC011G</b>
Capacidad	Bolsa de filtro	6,0 L
	Bolsa de polvo	5,5 L
Volumen máximo de aire (Con manguera de ø32 mm x 1,0 m)		2,4 m <sup>3</sup> /min
Aspiración		20 kPa
Dimensiones (La x An x Al) (excluyendo el arnés, con BL4050F)		336 mm x 185 mm x 543 mm
Tensión nominal		CC 36 V - 40 V máx.
Peso neto		6,4 - 9,5 kg

- Debido a nuestro continuado programa de investigación y desarrollo, las especificaciones aquí dadas están sujetas a cambios sin previo aviso.
- Las especificaciones pueden variar de un país a otro.
- El peso no incluye accesorios excepto el cartucho(s) de batería. El peso de las combinaciones menos pesada y más pesada del aparato y cartucho(s) de batería se muestra en la tabla.
- La longitud de la manguera suministrada varía dependiendo de los países.

## Cartucho de batería y cargador aplicables

Cartucho de batería	BL4020 / BL4025 / BL4040 / BL4040F / BL4050F / BL4080F
Cargador	DC40RA / DC40RB / DC40RC / DC40WA

- Algunos de los cartuchos de batería y cargadores indicados arriba puede que no estén disponibles dependiendo de su región de residencia.

**⚠ ADVERTENCIA:** Utilice solamente los cartuchos de batería y cargadores indicados arriba. La utilización de cualquier otro cartucho de batería y cargador puede ocasionar heridas y/o un incendio.

**⚠ ADVERTENCIA:** No utilice un suministro de alimentación con cable como un adaptador de batería o unidad portátil de alimentación eléctrica con este aparato. El cable de tal suministro de alimentación puede dificultar la operación y resultar en heridas personales.

## Símbolos

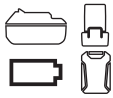
A continuación se muestran los símbolos que pueden ser utilizados para el equipo. Asegúrese de que entiende su significado antes de utilizar.



Lea el manual de instrucciones.



Preste cuidado y atención especiales.



Una batería representativa aplicable a este producto.



Ni-MH  
Li-Ion

Sólo para países de la Unión Europea. Debido a la presencia de componentes peligrosos en el equipo, el equipo eléctrico y electrónico, los acumuladores y las baterías desechados pueden tener un impacto negativo para el medioambiente y la salud humana.

¡No tire los aparatos eléctricos y electrónicos ni las baterías junto con los residuos domésticos!

De conformidad con las Directivas Europeas sobre residuos de aparatos eléctricos y electrónicos y sobre acumuladores y baterías, así como la adaptación de las mismas a la ley nacional, el equipo eléctrico, las baterías y los acumuladores desechados deberán ser almacenados por separado y trasladados a un punto distinto de recogida de desechos municipales, que cumpla con los reglamentos sobre protección medioambiental.

Esto se indica mediante el símbolo de cubo de basura tachado colocado en el equipo.

## Uso previsto

El aparato ha sido previsto para recoger polvo seco. El aparato es apropiado para uso comercial, por ejemplo, en hoteles, escuelas, hospitales, fábricas, tiendas, oficinas y negocios de alquiler.

## Ruido

El nivel de ruido A-ponderado típico determinado de acuerdo con la norma EN60335-2-69:

Nivel de presión sonora ( $L_{pA}$ ) : 70 dB (A) o menos  
Error (K) : 2,5 dB (A)

El nivel de ruido en situación de trabajo puede exceder 80 dB (A).

**NOTA:** El valor (o los valores) de emisión de ruido declarado ha sido medido de acuerdo con un método de prueba estándar y se puede utilizar para comparar una herramienta con otra.

**NOTA:** El valor (o valores) de emisión de ruido declarado también se puede utilizar en una valoración preliminar de exposición.

**⚠ADVERTENCIA:** Póngase protectores para oídos.

**⚠ADVERTENCIA:** La emisión de ruido durante la utilización real de la herramienta eléctrica puede variar del valor (o los valores) de emisión declarado dependiendo de las formas en las que la herramienta sea utilizada, especialmente qué tipo de pieza de trabajo se procesa.

**⚠ADVERTENCIA:** Asegúrese de identificar medidas de seguridad para proteger al operario que estén basadas en una estimación de la exposición en las condiciones reales de utilización (teniendo en cuenta todas las partes del ciclo operativo como las veces cuando la herramienta está apagada y cuando está funcionando en vacío además del tiempo de gatillo).

## Vibración

El valor total de la vibración (suma de vectores triaxiales) determinado de acuerdo con la norma EN60335-2-69:

Modo de trabajo: operación sin carga  
Emisión de vibración ( $a_{h1}$ ) : 2,5 m/s<sup>2</sup> o menos  
Error (K) : 1,5 m/s<sup>2</sup>

**NOTA:** El valor (o los valores) total de emisión de vibración declarado ha sido medido de acuerdo con un método de prueba estándar y se puede utilizar para comparar una herramienta con otra.

**NOTA:** El valor (o los valores) total de emisión de vibración declarado también se puede utilizar en una valoración preliminar de exposición.

**⚠ADVERTENCIA:** La emisión de vibración durante la utilización real de la herramienta eléctrica puede variar del valor (o los valores) de emisión declarado dependiendo de las formas en las que la herramienta sea utilizada, especialmente qué tipo de pieza de trabajo se procesa.

**⚠ADVERTENCIA:** Asegúrese de identificar medidas de seguridad para proteger al operario que estén basadas en una estimación de la exposición en las condiciones reales de utilización (teniendo en cuenta todas las partes del ciclo operativo como las veces cuando la herramienta está apagada y cuando está funcionando en vacío además del tiempo de gatillo).

## Declaraciones de conformidad

### Para países europeos solamente

Las declaraciones de conformidad están incluidas como Anexo A de este manual de instrucciones.

# ADVERTENCIAS DE SEGURIDAD

## Advertencias de seguridad para la aspiradora a batería

**⚠️ ADVERTENCIA:** ¡IMPORTANTE! LEA CON ATENCIÓN todas las advertencias de seguridad y todas las instrucciones ANTES DE UTILIZAR. No seguir las advertencias e instrucciones puede resultar en una descarga eléctrica, un incendio y/o heridas graves.

1. Antes de utilizar, asegúrese de que esta aspiradora sea utilizada por personas que han sido instruidas adecuadamente sobre cómo usar esta aspiradora.
2. No utilice la aspiradora sin el filtro. Reemplace un filtro dañado inmediatamente.
3. No intente recoger materiales inflamables, fuegos de artificio, cigarrillos encendidos, cenizas calientes, virutas metálicas calientes, materiales cortantes como cuchillas de afeitar, agujas, cristales rotos o similares.
4. NO UTILICE NUNCA LA ASPIRADORA CERCA DE GASOLINA, GAS, PINTURA, ADHESIVOS U OTRAS SUSTANCIAS ALTAMENTE EXPLOSIVAS. El interruptor emite chispas cuando se activa y desactiva. Y también lo hace el conmutador del motor durante la operación. Puede resultar en una peligrosa explosión.
5. Esta aspiradora no es apropiada para recoger polvo peligroso.
6. Nunca aspire materiales tóxicos, cancerígenos, combustibles u otros materiales peligrosos como asbestos, arsénico, bario, berilio, plomo, pesticidas, u otros materiales que puedan poner en peligro la salud.
7. No utilice nunca la aspiradora en exteriores bajo la lluvia.
8. Para Finlandia, esta máquina no es para ser usada en exteriores con temperatura baja.
9. No utilice cerca de fuentes de calor (estufas, etc.).
10. No bloquee las aberturas de enfriamiento. Estas aberturas permite el enfriamiento del motor. Deberá evitarse con cuidado que no se bloqueen, de lo contrario el motor se quemará por falta de ventilación.
11. Mantenga los pies sobre suelo firme y el equilibrio en todo momento.
12. No doble, pise o tire con fuerza de la manguera.
13. Detenga la aspiradora inmediatamente si nota un mal rendimiento o algo anormal durante la operación.
14. **DESCONECTE LAS BATERÍAS.** Cuando no esté siendo utilizada, antes de realizar mantenimiento, y cuando cambie accesorios.
15. Limpie y haga el mantenimiento a la aspiradora inmediatamente después de cada utilización para mantenerla en las mejores condiciones de operación.
16. **MANTENGA LA ASPIRADORA CON CUIDADO.** Mantenga la aspiradora limpia para obtener un mejor y más seguro rendimiento. Siga las instrucciones cuando cambie accesorios. Mantenga los asideros secos, limpios y libres de aceite y grasa.
17. **COMPRUEBE LAS PARTES DAÑADAS.** Antes de seguir utilizando la aspiradora, un protector o cualquier otra parte que se haya dañado deberá inspeccionarse cuidadosamente para determinar que funcionará debidamente y que realizará la función para la que ha sido previsto. Compruebe la alineación de las partes móviles, la unión de las partes móviles, rotura de partes, montaje, y cualquier otra condición que pueda afectar a su operación. Un protector o cualquier otra parte que se haya dañado deberá repararse o reemplazarse debidamente en un centro de servicio autorizado a menos que se indique otra cosa en algún otro sitio en este manual de instrucciones. Pida a un centro de servicio autorizado que le reemplacen los interruptores defectuosos. No utilice la aspiradora si el interruptor no la enciende y apaga.
18. **PIEZAS DE REPUESTO.** Cuando haga el mantenimiento, utilice solamente piezas de repuesto idénticas.
19. Cuando no la esté utilizando, guarde siempre la aspiradora en interiores.
20. Sea amable con su aspiradora. Un manejo brusco puede ocasionar la rotura de incluso la aspiradora más robusta.
21. No intente limpiar el interior o exterior con bencina, diluyente o productos químicos de limpieza. Podrá ocasionar grietas o decoloración.
22. No utilice la aspiradora en un espacio cerrado donde puedan desprenderse vapores inflamables, explosivos o tóxicos de pintura a base de aceite, disolventes de pintura, gasolina, algunas sustancias contra las polillas, etc., o en áreas donde haya polvo inflamable.
23. No utilice la aspiradora bajo la influencia de drogas o alcohol.
24. Como norma básica de seguridad, utilice gafas de protección o gafas de seguridad con escudos laterales.
25. Utilice una máscara contra el polvo en condiciones de trabajo polvorientas.
26. No maneje nunca la batería(s) y la aspiradora con las manos mojadas.
27. Tenga mucho cuidado cuando limpie en escaleras.
28. No utilice la aspiradora como taburete o mesa de trabajo. La máquina podrá caerse y resultar en heridas personales.
29. No deje que la familiaridad obtenida con el uso frecuente de las herramientas le permita volverse complaciente e ignorar los principios de seguridad de la herramienta. Un acto de descuido puede ocasionar heridas graves en la fracción de un segundo.

## Utilización y cuidado de la herramienta a batería

1. **Cargue la batería solamente con el cargador especificado por el fabricante.** Un cargador que es apropiado para un tipo de batería puede crear un riesgo de incendio cuando se utiliza con otra batería.
2. **Utilice las herramientas eléctricas solamente con las baterías designadas específicamente para ellas.** La utilización de cualquier otra batería puede crear un riesgo de heridas o incendio.
3. **Cuando la batería no esté siendo utilizada, guárdela alejada de otros objetos metálicos, como sujetapapeles, monedas, llaves, clavos, tornillos u otros objetos metálicos pequeños, que puedan hacer conexión entre un terminal y el otro.** Si se cortocircuitan entre sí los terminales de la batería podrán producirse quemaduras o un incendio.
4. **En condiciones abusivas, es posible que salga expulsado líquido de la batería; evite el contacto con él.** Si se produce un contacto accidental, enjuague con agua. Si el líquido entra en los ojos, además de enjuagarlos, solicite asistencia médica. El líquido expulsado de la batería puede ocasionar irritación y quemaduras.
5. **No utilice una batería o herramienta que esté dañada o modificada.** Las baterías dañadas o modificadas pueden comportarse de forma impredecible resultando en un incendio, explosión o riesgo de heridas.
6. **No exponga una batería o herramienta al fuego o a temperatura excesiva.** La exposición al fuego o a una temperatura superior a los 130 °C puede ocasionar una explosión.
7. **Siga todas las instrucciones de carga y no cargue la batería o la herramienta fuera del rango de temperatura especificado en las instrucciones.** Cargar incorrectamente o a temperaturas fuera del rango especificado puede dañar la batería y aumentar el riesgo de incendio.

## Servicio

1. **Haga que su herramienta eléctrica sea servida por una persona de reparación cualificada utilizando solamente piezas de repuesto idénticas.** De esta forma la herramienta eléctrica seguirá siendo segura.
2. **No haga nunca el mantenimiento a baterías dañadas.** El mantenimiento de las baterías debe ser realizado solamente por el fabricante o proveedores de servicio autorizados.
3. **Siga las instrucciones para lubricarlas y cambiar los accesorios.**
4. **Mantenga las empuñaduras secas, limpias y libres de aceite y grasa.**

## Instrucciones de seguridad importantes para el cartucho de batería

1. **Antes de utilizar el cartucho de batería, lea todas las instrucciones e indicaciones de precaución sobre (1) el cargador de baterías, (2) la batería, y (3) el producto con el que se utiliza la batería.**

2. **No desensamble ni manipule el cartucho de batería.** Podrá resultar en un incendio, calor excesivo, o una explosión.
3. **Si el tiempo de uso se acorta demasiado, cese la operación inmediatamente.** Podría resultar en un riesgo de recalentamiento, posibles quemaduras e incluso una explosión.
4. **Si entra electrolito en sus ojos, aclárelos con agua limpia y acuda a un médico inmediatamente.** Existe el riesgo de poder perder la vista.
5. **No cortocircuite el cartucho de batería:**
  - (1) **No toque los terminales con ningún material conductor.**
  - (2) **Evite guardar el cartucho de batería en un cajón junto con otros objetos metálicos, como clavos, monedas, etc.**
  - (3) **No exponga el cartucho de batería al agua ni a la lluvia.**

Un cortocircuito en la batería puede producir una gran circulación de corriente, un recalentamiento, posibles quemaduras e incluso una rotura de la misma.

6. **No guarde ni utilice la herramienta y el cartucho de batería en lugares donde la temperatura pueda alcanzar o exceder los 50 °C.**
7. **Nunca incinere el cartucho de batería incluso en el caso de que esté dañado seriamente o ya no sirva en absoluto.** El cartucho de batería puede explotar si se tira al fuego.
8. **No clave, corte, aplaste, lance, deje caer el cartucho de batería, ni golpee contra un objeto duro el cartucho de batería.** Tal conducta podrá resultar en un incendio, calor excesivo, o una explosión.
9. **No utilice una batería dañada.**
10. **Las baterías de litio-ion contenidas están sujetas a los requisitos de la Legislación para Materiales Peligrosos.**

Para transportes comerciales, p.ej., por terceras personas y agentes de transportes, se deberán observar requisitos especiales para el empaquetado y etiquetado.

Para la preparación del artículo que se va a enviar, se requiere consultar con un experto en materiales peligrosos. Por favor, observe también la posibilidad de reglamentos nacionales más detallados.

Cubra con cinta aislante o enmascare los contactos expuestos y empaquete la batería de tal manera que no se pueda mover alrededor dentro del embalaje.

11. **Para desear el cartucho de batería, retírelo de la herramienta y deséchelo en un lugar seguro.** Siga los reglamentos locales referentes al desecho de la batería.
12. **Utilice las baterías solamente con los productos especificados por Makita.** La instalación de las baterías en productos no compatibles puede resultar en un incendio, calor excesivo, explosión, o fuga de electrolito.
13. **Si la herramienta no va a ser utilizada durante un periodo de tiempo largo, la batería deberá ser retirada de la herramienta.**
14. **Durante y después de la utilización, el**

cartucho de batería podrá acumular calor, lo cual puede ocasionar quemaduras o quemaduras de baja temperatura. Preste atención al manejo de cartuchos de batería calientes.

15. No toque el terminal de la herramienta inmediatamente después de utilizar, dado que puede calentarse lo suficiente como para ocasionar quemaduras.
16. No permita que virutas, polvo, o tierra se adhieran dentro de los terminales, orificios, y ranuras del cartucho de batería. Esto podría ocasionar calentamiento, que coja fuego, reviente y un mal funcionamiento de la herramienta o el cartucho de batería, resultando en quemaduras o heridas personales.
17. A menos que la herramienta pueda utilizarse cerca de cables eléctricos de alta tensión, no utilice el cartucho de batería cerca de cables eléctricos de alta tensión. Podrá resultar en un mal funcionamiento o rotura de la herramienta o el cartucho de batería.
18. Mantenga la batería alejada de los niños.

## GUARDE ESTAS INSTRUCCIONES.

**PRECAUCIÓN:** Utilice solamente baterías genuinas de Makita. La utilización de baterías no genuinas de Makita, o baterías que han sido alteradas, puede resultar en una explosión de la batería ocasionando incendios, heridas personales y daños. También anulará la garantía de Makita para la herramienta y el cargador de Makita.

## Consejos para alargar al máximo la vida de servicio de la batería

1. Cargue el cartucho de batería antes de que se descargue completamente. Detenga siempre la operación y cargue el cartucho de batería cuando note menos potencia en la herramienta.
2. No cargue nunca un cartucho de batería que esté completamente cargado. La sobrecarga acortará la vida de servicio de la batería.
3. Cargue el cartucho de batería a temperatura ambiente de 10 °C - 40 °C. Si un cartucho de batería está caliente, déjelo enfriar antes de cargarlo.
4. Cuando no esté utilizando el cartucho de batería, retírelo de la herramienta o del cargador.
5. Cargue el cartucho de batería si no lo utiliza durante un periodo de tiempo prolongado (más de seis meses).

## DESCRIPCIÓN DEL FUNCIONAMIENTO

**PRECAUCIÓN:** Asegúrese siempre de que el aparato está apagado y los cartuchos de batería han sido retirados antes de ajustar o comprobar una función en el aparato.

## Instalación o extracción del cartucho de batería

**PRECAUCIÓN:** Apague siempre el aparato antes de instalar o extraer el cartucho de batería.

**PRECAUCIÓN:** Sujete el aparato y el cartucho de batería firmemente cuando instale o retire el cartucho de batería. Si no sujeta el aparato y el cartucho de batería firmemente podrán caérsele de las manos y resultar en daños al aparato y cartucho de batería y heridas personales.

Para instalar los cartuchos de batería, alinee las lengüetas de los cartuchos de batería con las acanaladuras del alojamiento y deslícelos al interior hasta encajarlos en su sitio. Insérteles a fondo hasta que se bloqueen en su sitio con un leve chasquido. Si puede ver los indicadores rojos como se muestra en la figura, no estarán bloqueados completamente.

Para retirar los cartuchos de batería, deslícelos hacia afuera de los alojamientos de batería mientras mantiene presionados los botones de la parte frontal de los cartuchos.

► Fig.1: 1. Indicador rojo 2. Botón 3. Cartucho de batería derecho 4. Cartucho de batería izquierdo

**PRECAUCIÓN:** Instale siempre el cartucho de batería completamente hasta que el indicador rojo no se pueda ver. En caso contrario, podrá caerse accidentalmente del aparato y ocasionarle heridas a usted o a alguien que esté cerca de usted.

**PRECAUCIÓN:** No instale el cartucho de batería empleando fuerza. Si el cartucho no se desliza al interior fácilmente, será porque no está siendo insertado correctamente.

La aspiradora tiene doble ranura para batería. Puede escoger entre usar con batería doble o batería sencilla de acuerdo con sus necesidades.

### Con batería doble

El accionamiento continuo con dos baterías permite un tiempo de funcionamiento más largo y una limpieza más eficiente. Cuando la primera batería se está quedando vacía, la aspiradora cambia automáticamente la fuente de alimentación, de manera que continúa funcionando con la segunda batería.

**NOTA:** La ranura para batería derecha (vista desde la parte frontal de la aspiradora) tiene prioridad sobre la ranura para batería izquierda. La ranura para batería izquierda solo será identificada como fuente de alimentación cuando en la ranura para batería derecha no haya instalada una batería, o bien cuando la batería de la ranura para batería derecha esté vacía.

**NOTA:** Puede retirar la batería de la ranura para batería derecha y recargarla después de que la aspiradora haya cambiado su fuente de alimentación de la ranura para batería derecha a la izquierda sin dejar de funcionar. Para dar de nuevo prioridad a la ranura para batería derecha después de instalar una batería recargada, vuelva a poner en marcha la aspiradora.

**NOTA:** Cuando la aspiradora cambia la fuente de alimentación de la primera batería a la segunda, puede que se requiera una pausa temporal en las operaciones, ocasionando una ligera pérdida de succión. Esto no es un mal funcionamiento y la aspiradora se recuperará y reanudará las operaciones inmediatamente después de la pausa.

### Con una sola batería

Solo se requiere una batería como fuente de alimentación en la ranura para batería derecha o bien en la izquierda. La aspiradora determina automáticamente qué ranura para batería está disponible.

## Modo de indicar la capacidad de batería restante

Presione el botón de comprobación en el cartucho de batería para indicar la capacidad de batería restante. Las lámparas indicadoras se iluminan durante unos pocos segundos.

► **Fig.2:** 1. Lámparas indicadoras 2. Botón de comprobación

Lámparas indicadoras			Capacidad restante
Iluminada	Apagada	Parpadeando	
			75% a 100%
			50% a 75%
			25% a 50%
			0% a 25%
			Cargue la batería.
			Puede que la batería no esté funcionando bien.

**NOTA:** Dependiendo de las condiciones de utilización y de la temperatura ambiente, la indicación podrá variar ligeramente de la capacidad real.

**NOTA:** La primera lámpara indicadora (extremo izquierdo) parpadeará cuando el sistema de protección de la batería esté funcionando.

## Indicación de la capacidad de batería restante en la caja de interruptor

La capacidad de batería restante se puede comprobar en la caja de interruptor. Presione el botón para indicar las capacidades de batería restantes.

"L" y "R" de la caja de interruptor corresponden a los cartuchos de batería izquierdo y derecho, respectivamente. Siga la indicación cuando reemplace el cartucho de batería.

► **Fig.3:** 1. Indicador de batería 2. Botón de comprobación de la batería/luz LED


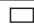


Estado del indicador de batería			Capacidad de batería restante
Encendido	Apagado	Parpadeando	
			50% a 100%
			20% a 50%
			0% a 20%
			Cargue la batería

## Sistema de protección del aparato/batería

El aparato está equipado con sistema de protección del aparato/batería. Este sistema corta automáticamente la alimentación del motor para alargar la vida útil del aparato y la batería. En esta situación, el indicador de batería se ilumina como se indica en la tabla siguiente.

Estado del indicador de batería			Estado
Encendido	Apagado	Parpadeando	
			Protección contra sobrecarga (batería)/ Protección contra recalentamiento (batería)/ Protección contra descarga excesiva



Estado del indicador de batería			Estado
			
			Protección contra recalentamiento (aparato)

El aparato y la luz LED se detendrán automáticamente durante la operación si el aparato o la batería es puesto en una de las condiciones siguientes:

## Protección contra sobrecarga

Cuando el aparato/batería sea utilizado de manera que dé lugar a que tenga que absorber una corriente anormalmente alta, el aparato se parará automáticamente. En esta situación, apague el aparato y detenga la tarea que ocasiona la sobrecarga del aparato. Después encienda el aparato para volver a empezar.

## Protección contra el recalentamiento

Cuando el aparato/batería se recaliente, el aparato se detendrá automáticamente. En esta situación, deje que el aparato/batería se enfríe antes de encender el aparato otra vez.

## Protección contra descarga excesiva

Cuando la capacidad de batería sea baja, el aparato se detendrá automáticamente. Si el producto no funciona aunque los interruptores sean accionados, retire las baterías del aparato y cárguelas.

## Protección contra otras causas

También hay un sistema de protección diseñado para otras causas que pueden dañar el aparato y permite al aparato detenerse automáticamente. Realice todos los pasos siguientes para despejar las causas, cuando el aparato haya sido llevado a una pausa temporal o a una parada en la operación.

1. Apague el aparato, y después enciéndalo otra vez para volver a empezar.
2. Cargue la(s) batería(s) o reemplácela(s) con una batería(s) regada(s).
3. Deje que el aparato y la(s) batería(s) se enfríe(n).

Si no se nota una mejora al restablecer el sistema de protección, póngase en contacto con el centro de servicio Makita local.

## Posición de la caja de interruptor

La caja de interruptor se puede enganchar en cualquiera de los lados del cinto inferior. Disponga el cable de manera que la caja de interruptor quede en el lado que usted desea. Para evitar que el cable se dañe, páselo a través de la ranura como se muestra en la ilustración.

► Fig.4: 1. Ranura 2. Cable

## Correas de ajuste

La tirantez de las correas de hombro, y de los cintos superior e inferior se puede ajustar. Ponga sus brazos a través de las correas de hombro primero y después fije los cintos inferior y superior. Para apretar, tire del

extremo de la correa como se muestra en la ilustración. Para aflojar, tire hacia arriba del extremo del fijador.

### Cinto inferior

► Fig.5: 1. Correa 2. Fijador

### Correas de hombro

► Fig.6: 1. Correa 2. Fijador

### Cinto superior



► Fig.7: 1. Correa 2. Fijador

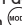
## Gancho de transporte



Agarre siempre el gancho de transporte cuando maneje el cuerpo de la aspiradora.

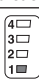



► Fig.8: 1. Gancho de transporte

## Accionamiento del interruptor

Para poner en marcha la aspiradora, simplemente presione el botón . Para apagar, presione el botón  otra vez.

Puede cambiar la potencia de succión de la aspiradora en cuatro pasos presionando el botón . Cada pulsación de este botón repite el modo 1 a 4 en un ciclo.

► Fig.9: 1. Botón de cambio de potencia de succión  2. Botón de apagado/encendido 



Nivel	Indicación	Modo
1		Modo silencioso
2		Modo de velocidad normal
3		Modo velocidad alta
4		Modo de velocidad máxima

**NOTA:** Puede cambiar la potencia de succión antes de encender la aspiradora.

**NOTA:** La aspiradora se pondrá en marcha con la misma potencia de succión que la de la última operación.

**NOTA:** Si retira la batería inmediatamente después de apagar el aparato, mientras el motor aún esté girando, la aspiradora puede que no comience la operación con la misma potencia de succión que la de la última operación.

## Luz LED

En la cabeza de la caja de interruptor hay instalada una luz LED para facilitar la operación en lugares oscuros. Mantenga presionado el botón  para encender la luz. Para apagar, mantenga presionado el botón  otra vez.

► Fig.10

**⚠ PRECAUCIÓN:** No mire la luz o vea la fuente de luz directamente. No apunte nunca la luz a los ojos de otras personas.

**NOTA:** La luz LED se apaga automáticamente cuando la aspiradora no es utilizada durante más de 10 minutos.

## Banda de manguera

La banda de manguera se puede utilizar para sujetar la manguera o la boquilla de goma flexible.

Para sujetar la manguera en el cuerpo de la aspiradora, pase la banda de manguera a través de la ranura en el cuerpo. Puede colocar la banda de manguera en cualquiera de los lados.

► **Fig.11:** 1. Banda de manguera 2. Ranura  
3. Manguera

Los ojales del cinto inferior se pueden utilizar para transportar boquillas como se muestra en la ilustración.

► **Fig.12:** 1. Ojal 2. Boquilla

## Gancho de manguera

Cuando suspenda la operación, puede utilizar el gancho del conjunto de tubo curvado para colgar el tubo en la parte para colgar del cinto inferior.

► **Fig.13:** 1. Gancho 2. Cinto inferior 3. Parte para colgar

# MONTAJE

**⚠ PRECAUCIÓN:** Asegúrese siempre de que el aparato está apagado y el cartucho de batería ha sido retirado antes de realizar cualquier trabajo en el aparato.

## Montaje de la manguera

Inserte el manguito de manguera en el cuerpo de la aspiradora y gírelo hacia la derecha.

► **Fig.14:** 1. Manguito de manguera 2. Cuerpo de la aspiradora

## Utilización como una aspiradora

### Colocación del conjunto de tubo curvado

#### Accesorios opcionales

**NOTA:** No necesitará realizar este procedimiento si su modelo viene con el conjunto de tubo curvado colocado en la manguera.

**NOTA:** Hay dos tipos de conjunto de tubo curvado; uno para tubo de extensión tipo deslizable y uno para tubo de extensión tipo anillo. Si prepara el conjunto de tubo curvado, elija el que sirva para el tipo de tubo de extensión que desee.

El conjunto de tubo curvado se utiliza para conectar

el tubo de extensión o la boquilla a este producto para limpiar aspirando.

Si quiere utilizar este producto como aspiradora, coloque el conjunto de tubo curvado en la manguera.

#### Para el conjunto de tubo curvado atornillable

Para colocarlo, desenrosque el manguito delantero de la manguera y fije el casquillo del conjunto de tubo curvado en la manguera.

Para retirarlo, afloje el casquillo del conjunto de tubo curvado de la manguera.

► **Fig.15:** 1. Manguera 2. Conjunto de tubo curvado  
3. Casquillo

#### Para el conjunto de tubo curvado de encaje a presión

Para colocarlo, inserte el extremo de la manguera en el conjunto de tubo curvado. Asegúrese de que las pestañas del extremo de la manguera encajan con un chasquido en los agujeros del conjunto de tubo curvado.

Para retirarlo, tire del conjunto de tubo curvado mientras presiona ambas pestañas del extremo de la manguera.

► **Fig.16:** 1. Extremo de la manguera 2. Pestaña  
3. Agujero 4. Conjunto de tubo curvado

## Montaje de la boquilla y el tubo

#### Accesorios opcionales

**NOTA:** El tipo de la boquilla y el tubo incluidos en el producto varía dependiendo de los países. En algunos países, la boquilla y el tubo no están incluidos.

1. Retuerza e inserte la boquilla en el tubo de extensión.

► **Fig.17:** 1. Tubo de extensión 2. Boquilla de goma flexible 3. Boquilla para esquinas 4. Boquilla en T

Cuando utilice la boquilla en T cambiable para suelo/ moqueta, puede cambiar el modo en función del lugar.

— Modo suelo: apropiado para un lugar uniforme tal como un suelo duro

— Modo moqueta: apropiado para un lugar peludo tal como una moqueta o alfombra

► **Fig.18:** 1. Botón de cambio de modo 2. Modo suelo  
3. Modo moqueta

**NOTA:** Al retorcer la boquilla mientras la inserta, la boquilla se puede colocar en el tubo de extensión firmemente.

**NOTA:** Para el modelo con manguera de  $\varnothing 38$  mm y manguito delantero de 38, coloque la boquilla suministrada en el tubo curvado de aluminio/tubo recto de aluminio.

2. Siga los procedimientos de abajo, dependiendo del tipo del tubo de extensión:

**NOTA:** El tubo de extensión tipo deslizable y el tubo de extensión tipo anillo no son compatibles entre sí. Si quiere cambiar el tubo de extensión tipo deslizable por el tubo de extensión tipo anillo o viceversa, cambie el conjunto de tubo curvado también.

#### Para el tubo de extensión tipo deslizable

Cargue al hombro el cuerpo de la aspiradora y después inserte el tubo de extensión en el conjunto de tubo curvado hasta que suene un chasquido. Para

desconectarlo, extraiga el tubo de extensión a la vez que presiona el botón.

- **Fig.19:** 1. Conjunto de tubo curvado 2. Botón  
3. Tubo de extensión tipo deslizante  
4. Boquilla de goma flexible

La longitud del tubo se puede ajustar. Con el botón deslizante presionado, ajuste la longitud del tubo. La longitud se bloquea cuando se libera el botón deslizante.

- **Fig.20:** 1. Botón deslizante

#### Para el tubo de extensión tipo anillo

Cargue al hombro el cuerpo de la aspiradora y después retuerza e inserte el tubo de extensión en el conjunto de tubo curvado. Para desconectarlo, retuézalo y extráigalo.

- **Fig.21:** 1. Conjunto de tubo curvado 2. Tubo de extensión tipo anillo 3. Boquilla de goma flexible

**NOTA:** La boquilla de goma flexible se puede colocar en el conjunto de tubo curvado directamente sin el bloqueo del tubo.

La longitud del tubo se puede ajustar. Afloje el anillo del tubo y ajuste la longitud del tubo. Apriete el anillo a la longitud que desee.

- **Fig.22:** 1. Anillo

#### Para el tubo curvado de aluminio/tubo recto de aluminio

(Solo para el modelo con manguera de  $\varnothing 38$  mm y manguito delantero de 38)

Cargue al hombro el cuerpo de la aspiradora y después retuerza e inserte el tubo en el manguito delantero. Para desconectarlo, retuézalo y extráigalo.

- **Fig.23:** 1. Manguito delantero de 38 2. Tubo curvado de aluminio 3. Tubo recto de aluminio  
4. Boquilla en T

#### Para los dos tubos rectos de aluminio

Cargue al hombro el cuerpo de la aspiradora y después retuerza e inserte los tubos. Para desconectarlo, retuézalo y extráigalo.

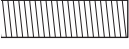
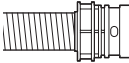
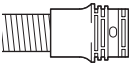
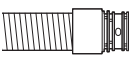

- **Fig.24:** 1. Conjunto de tubo curvado 2. Tubo recto de aluminio 1 3. Tubo recto de aluminio 2

### Conexión de la herramienta

**NOTA:** Si el conjunto de tubo curvado está colocado en la manguera, retíralo de antemano.

Para conectar una herramienta a la aspiradora, se requieren la manguera y/o piezas adicionales exclusivas. Dependiendo del modelo de su aspiradora, necesitará reemplazar la manguera y/o preparar piezas adicionales.

Consulte la tabla siguiente para ver detalles.

Diámetro de la manguera suministrada	Tipo del extremo de la manguera	Acción
$\varnothing 28$ mm	 sin pieza	Coloque el manguito delantero.
	 con pieza de encaje a presión	Reemplace el extremo de la manguera (pieza de encaje a presión) con el manguito delantero. El extremo de la manguera se puede retirar girándolo hacia la izquierda.
$\varnothing 32$ mm	 con pieza de encaje a presión	Reemplace la manguera con una para extracción de polvo ( $\varnothing 28$ mm, con manguito delantero).
$\varnothing 38$ mm	 con pieza de encaje a presión	Reemplace la manguera con una para extracción de polvo ( $\varnothing 28$ mm, con manguito delantero).
	 con manguito delantero de 38	Coloque el acoplador de 22-38 o el manguito delantero de 24.

**NOTA:** Utilice siempre un manguito delantero apropiado. Cuando utilice el manguito delantero de 24, colóquelo en el manguito delantero de 22 que está conectado a la manguera.

- **Fig.25:** 1. Manguito delantero de 22 2. Manguito delantero de 24

### Quando utilice la manguera de extracción de polvo de $\varnothing 28$ mm

1. Coloque el manguito delantero en la manguera para extracción de polvo. Cuando conecte el manguito delantero, asegúrese de que está enroscado firmemente en la manguera.

2. Conecte el manguito delantero en la salida de extracción de la herramienta.

- **Fig.26:** 1. Manguito delantero 2. Salida de extracción 3. Manguera

El manguito delantero se puede retirar girándolo hacia la izquierda mientras sujeta la manguera.

## Quando utilice la manguera de $\varnothing 38$ mm con el manguito delantero de 38

1. Retuerza e inserte el acoplador o el manguito delantero en la parte de admisión de la manguera, dependiendo de la herramienta que vaya a conectar.

2. Conecte el manguito delantero en la salida de extracción de la herramienta.

► **Fig.27:** 1. Acoplador 2. Manguito delantero  
3. Salida de extracción 4. Manguera

Para retirar el acoplador y el manguito delantero, siga los procedimientos de instalación a la inversa.

## Instalación de la bolsa de filtro/ bolsa de polvo

### Accesorios opcionales

**⚠PRECAUCIÓN:** No utilice una bolsa de filtro dañada. Utilice siempre la aspiradora con la bolsa de filtro instalada debidamente. De lo contrario el polvo o las partículas recogidos podrán escapar por la aspiradora y ocasionar afección respiratoria al operario.

Instale la bolsa de polvo o la bolsa de filtro antes de utilizar la aspiradora.

- Las bolsas de polvo se pueden utilizar muchas veces repetidamente limpiándolas.
- La bolsa de filtro es de tipo desechable. Descarte la bolsa de filtro completa sin vaciarla cuando se haya llenado.

**AVISO:** Cuando la bolsa de filtro ya esté llena, reemplácela con una nueva. Cuando la bolsa de polvo ya esté llena, vaciela. Continuar utilizando con la bolsa de filtro/bolsa de polvo llena resultará en una reducción de la potencia de succión.

**AVISO:** Para evitar que el polvo entre en el motor:

- Asegúrese de que la bolsa de filtro/bolsa de polvo está instalada antes de utilizar.
- No utilice una bolsa rota o rasgada.

De lo contrario el motor se podrá romper.

**AVISO:** No pliegue el cartón por su abertura cuando instale la bolsa de filtro/bolsa de polvo.

**AVISO:** La bolsa de filtro/bolsa de polvo para la aspiradora es un componente importante para mantener el rendimiento del aparato. La utilización de una bolsa de filtro/bolsa de polvo no genuina puede ocasionar humos o ignición.

**NOTA:** Cuando la bolsa de filtro/bolsa de polvo no está instalada en la aspiradora, la cubierta frontal no se cierra completamente.

► **Fig.28**

1. Desbloquee la palanca y abra la cubierta frontal.

► **Fig.29:** 1. Palanca 2. Cubierta frontal

2. Inserte la bolsa de filtro en la comisura de la

parte superior de la cavidad como se muestra en la ilustración.

► **Fig.30:** 1. Comisura 2. Bolsa de filtro

Quando utilice la bolsa de polvo, inserte el borde de la bolsa de polvo en la comisura.

► **Fig.31:** 1. Comisura 2. Borde 3. Bolsa de polvo

3. Alinee el agujero de la bolsa de filtro con el manguito de manguera y presione la porción de cartón hasta el final. Asegúrese de que el anillo de goma de la bolsa de filtro pasa sobre el borde del manguito de manguera.

► **Fig.32:** 1. Anillo de goma de la bolsa de filtro  
2. Borde del manguito de manguera  
3. Porción de cartón de la bolsa de filtro  
4. Manguito de manguera

4. Bloquee la cubierta frontal firmemente.

**⚠PRECAUCIÓN:** Tenga cuidado de no pillarse los dedos cuando enganche el cierre, y cuando cierre la cubierta frontal.

## Cubierta del arnés

### Accesorios opcionales

Quando utilice la cubierta del arnés, siga el procedimiento de abajo para colocarla.

**NOTA:** Cuando instale la cubierta del arnés, no confunda la parte frontal y trasera de la cubierta del arnés.

**NOTA:** La cubierta del arnés se puede lavar. Siga las instrucciones de lavado en la etiqueta.

► **Fig.33**

1. Extienda la cubierta del arnés sobre el arnés.

► **Fig.34**

2. Sujete las correas de hombro del arnés con los fijadores de gancho y lazo de la cubierta del arnés. Enganche la cinta de la cubierta del arnés en el arnés.

► **Fig.35**

## OPERACIÓN

**⚠ADVERTENCIA:** Los operarios deberán ser instruidos adecuadamente sobre la utilización de la aspiradora.

**⚠ADVERTENCIA:** Esta aspiradora no es apropiada para recoger polvo peligroso.

**⚠PRECAUCIÓN:** Esta aspiradora es para uso seco solamente.

**⚠PRECAUCIÓN:** Durante la operación, sea consciente de la aspiradora a su espalda. Podrá perder el equilibrio si el cuerpo de la aspiradora golpea contra una pared o la manguera se engancha en algún obstáculo.

1. Cargue al hombro el cuerpo de la aspiradora y apriete los cintos superior e inferior. Ajuste la tirantez si es necesario.

► Fig.36

2. Presione el botón ① para comenzar a aspirar. Si quiere cambiar la potencia de succión, presione el botón ② hasta que se seleccione la potencia de succión deseada. Presione el botón ① para parar.

► Fig.37

Durante la operación, enganche la caja de interruptor en la anilla de trinca o en la parte para colgar del cinto inferior. El gancho se puede inclinar para alumbrar hacia adelante cuando se enganche en la parte para colgar.

► Fig.38: 1. Anilla de trinca 2. Parte para colgar

3. Reemplace la bolsa de filtro cuando se llene. Abra la cubierta frontal y extraiga la bolsa de filtro. Tire de la tira del lado de la abertura para cerrar la bolsa de filtro y tire la bolsa de filtro en su totalidad.

► Fig.39: 1. Tira

Cuando utilice una bolsa de polvo, extraiga la bolsa de polvo y vacíe el polvo liberando el cierre.

► Fig.40: 1. Cierre

**AVISO:** No ponga la bolsa de filtro/bolsa de polvo ni otros objetos pesados encima de la cubierta frontal. El aparato podrá caerse.

**AVISO:** Compruebe periódicamente la bolsa de filtro tanto si el filtro está lleno como si no. Continuar utilizando con la bolsa de filtro llena resultará en una reducción de la potencia de succión.

**AVISO:** No utilice una bolsa de filtro ya usada. La bolsa de filtro ha sido diseñada para ser usada una sola vez. La utilización de la bolsa de filtro repetidamente podrá ocasionar el atasco del filtro y resultar en daños a la aspiradora. Si quiere utilizar la bolsa repetidamente, utilice una bolsa de polvo.

## MANTENIMIENTO

**⚠PRECAUCIÓN:** Asegúrese siempre de que el aparato está apagado y el cartucho de batería ha sido retirado antes de intentar hacer una inspección o mantenimiento.

**AVISO:** No utilice nunca gasolina, bencina, disolvente, alcohol o similares. Podría producir descoloración, deformación o grietas.

Para mantener la SEGURIDAD y FIABILIDAD del producto, las reparaciones, y cualquier otra tarea de mantenimiento o ajuste deberán ser realizadas en centros de servicio o de fábrica autorizados por Makita, empleando siempre repuestos Makita.

### Limpeza del filtro HEPA

**⚠PRECAUCIÓN:** No utilice la aspiradora sin filtro o continúe utilizándola con un filtro sucio o dañado. El polvo o las partículas recogidos podrán escapar por la aspiradora y ocasionar afección respiratoria al operario.

**AVISO:** Para mantener la potencia de succión óptima y el escape limpio, limpie el filtro periódicamente. Si no se obtiene suficiente potencia de succión aun después de limpiar, reemplace el filtro con uno nuevo.

**AVISO:** Para evitar que el filtro se dañe, no utilice los utensilios siguientes y objetos similares para la limpieza:

- Sacudidor de polvo
- Hidrolavadora de alta presión
- Utensilios hechos de materiales duros tal como un cepillo de alambre

1. Abra la cubierta frontal y extraiga la bolsa de filtro/bolsa de polvo. Libere el gancho del filtro y retírelo del cuerpo de la aspiradora.

► Fig.41: 1. Gancho 2. Filtro HEPA

2. Sacuda el polvo del filtro golpeándolo suavemente. El filtro se puede lavar con agua. Retire el polvo y las partículas enjuagando el filtro cada 1 o 2 meses. Después de eso, sequé el filtro completamente en un lugar a la sombra y bien ventilado para evitar olores desagradables o un mal funcionamiento.

3. Para instalar el filtro, inserte el lado sin los ganchos en la ranura y después empuje hacia dentro el filtro hasta que los ganchos se sujeten con un chasquido.

► Fig.42: 1. Ranura 2. Filtro HEPA 3. Gancho

### Limpeza del filtro de esponja

**⚠PRECAUCIÓN:** Después de limpiar los filtros de esponja, asegúrese de instalarlos en la aspiradora. Si los lava en agua, séquelos completamente antes de instalarlos. Los filtros de esponja insuficientemente secos pueden acortar la vida de servicio del motor.

Los filtros de esponja de debajo del filtro HEPA evitan que el polvo entre en el motor.

1. Retire los filtros de esponja de la aspiradora.

► Fig.43: 1. Filtro de esponja

2. Retire y sacuda el polvo de los filtros de esponja manualmente. Cuando los filtros de esponja se obstruyan, lávelos en agua jabonosa.

► Fig.44

3. Instale los filtros de esponja en sus posiciones originales.

### Limpeza de la bolsa de polvo

Limpe regularmente la bolsa de polvo con jabón y agua. Vuelva la bolsa de polvo del revés y retire el polvo adherido. Lávela a mano ligeramente y aclárela bien con agua. Séquela completamente antes de instalarla en el aspirador.

► Fig.45

**AVISO:** Una bolsa de polvo mojada reduce el rendimiento de aspiración así como la vida de servicio del motor.

## Despeje del atasco

Cuando despeje el atasco, retire la manguera o el tubo de extensión, o el conjunto de tubo curvado para comprobar el interior.

Consulte la sección para colocar el conjunto de tubo curvado.

## Limpieza del espacio para la bolsa de filtro/bolsa de polvo

Este aparato está equipado con un sistema sacudidor de polvo. Al caminar transportando la aspiradora, los resortes de debajo de la lámina hacen vibrar la lámina y esta sacude el polvo de la bolsa de filtro/bolsa de polvo. Cuando limpie el espacio para la bolsa de filtro/bolsa de polvo, retire la lámina del interior y límpiela.

► **Fig.46:** 1. Lámina

## Para retirar la lámina

1. Retire el filtro HEPA. Consulte la sección para la limpieza del filtro HEPA para ver cómo retirarlo.
2. Empuje la lámina hacia abajo, y deslícela hacia la izquierda hasta que toque la pared.
3. Levante el lado derecho de la lámina y sáquela.

► **Fig.47:** 1. Lámina

La lámina se apoya en tres resortes.

Si los resortes se salen de las protuberancias, vuelva a colocarlos como se muestra en la ilustración.

► **Fig.48:** 1. Resorte largo 2. Resorte corto 3. Saliente

**NOTA:** Coloque los resortes firmemente de forma que toquen el fondo de los salientes.

## Colocación de la lámina

1. Inserte el lado recto de la lámina en los enganches del lado inferior izquierdo del espacio.
  2. Ponga el lado derecho de la lámina en su sitio.
- **Fig.49:** 1. Lámina 2. Lado recto 3. Enganche

## COLECTOR CICLÓNICO

### Accesorio opcional

**NOTA:** Cuando se utilice el colector ciclónico con este aparato, también se requerirá el tubo curvado.

► **Fig.50:** 1. Colector ciclónico

## Acerca del colector ciclónico

La utilización de la aspiradora con el colector ciclónico instalado reduce la cantidad de polvo que entra en la bolsa de polvo, lo que ayuda a evitar que la fuerza de succión se debilite. Además, la limpieza después de la utilización también se simplifica.

**PRECAUCIÓN:** Asegúrese siempre de que la herramienta está apagada y el cartucho de batería ha sido retirado antes de realizar cualquier trabajo en la herramienta. Si el cartucho de batería se deja insertado, la aspiradora podrá ponerse en marcha inesperadamente y resultar en heridas.

**PRECAUCIÓN:** Limpie el filtro de malla del colector ciclónico y la bolsa de polvo de la unidad de la aspiradora cuando se obstruyan. Continuar utilizando estando obstruidos podrá resultar en recalentamiento o humo.

**AVISO:** Cuando el colector ciclónico esté colocado, no utilice el colector ciclónico en posición horizontal ni orientado hacia arriba. Si lo hace podrá ocasionar que el filtro de malla se obstruya.

**AVISO:** Utilice siempre la aspiradora con la bolsa de polvo instalada, aun cuando utilice el colector ciclónico. La utilización de la aspiradora sin la bolsa de polvo instalada podrá resultar en un mal funcionamiento del motor.

**NOTA:** Compruebe que el colector ciclónico, la aspiradora, y el tubo recto están bloqueados debidamente antes de utilizar.

**NOTA:** Vacíe el recipiente para polvo del colector ciclónico y la bolsa de polvo de la aspiradora cuando se haya acumulado polvo. Continuar utilizando resultará en una debilitación de la fuerza de succión.

**NOTA:** Puede utilizar el colector ciclónico con función de bloqueo o sin ella.

**NOTA:** Para instalar o desmontar el colector ciclónico, consulte la sección "Utilización como una aspiradora".

## Extracción del polvo

Cuando el polvo se haya acumulado hasta la línea de lleno del recipiente para polvo, siga el procedimiento de abajo y deseche el polvo.

1. Sujete el recipiente para polvo firmemente, mantenga presionados los dos botones, y retire el recipiente para polvo.

► **Fig.51:** 1. Línea de lleno 2. Recipiente para polvo 3. Botón (dos lugares) 4. Filtro de malla

2. Deseche el polvo de dentro del recipiente para polvo y retire cualquier resto de polvo adherido a la superficie del filtro de malla.

3. Inserte el recipiente para polvo a fondo hasta que los dos botones se bloqueen con un chasquido.

► **Fig.52:** 1. Recipiente para polvo 2. Botón (dos lugares)

**NOTA:** Compruebe que el colector ciclónico, la aspiradora, y el tubo recto están bloqueados debidamente antes de reanudar la operación.

**NOTA:** Si la fuerza de succión no se recupera incluso después de desechar el polvo y limpiar el filtro de malla, compruebe si se ha acumulado polvo en la bolsa de polvo de la aspiradora o si se ha producido obturación.

## Limpieza

Cuando el recipiente para polvo se ensucie o el filtro de malla se obstruya, retírelos y lávelos con agua. (Consulte "Extracción del polvo" para ver el procedimiento de extracción).

Seque las partes completamente antes de volver a instalar y utilizar.

► **Fig.53:** 1. Recipiente para polvo 2. Filtro de malla

Cuando el filtro de malla se ensucie mucho, límpielo siguiendo los procedimientos siguientes.

1. Gire el filtro de malla hacia la izquierda y retírelo mientras los ganchos están desbloqueados.

► **Fig.54:** 1. Filtro de malla 2. Gancho

2. Retire el polvo del filtro de malla y después lávelo con agua. Después de eso, séquelo completamente.

3. Inserte el filtro de malla en la base mientras los ganchos están alineados con la abertura. Gire el filtro de malla hacia la derecha hasta que los ganchos se bloqueen con un chasquido. Asegúrese de que el filtro de malla está instalado firmemente.

► **Fig.55:** 1. Filtro de malla 2. Gancho 3. Abertura

**NOTA:** Algunos elementos de la lista podrán estar incluidos en el paquete de la herramienta como accesorios estándar. Pueden variar de un país a otro.

## ACCESORIOS OPCIONALES

**⚠PRECAUCIÓN:** Estos accesorios o aditamentos están recomendados para utilizar con su producto Makita especificado en este manual. La utilización de cualquier otro accesorio o aditamento puede presentar un riesgo de heridas a personas. Solamente utilice el accesorio o aditamento para su fin específico.

Algunos accesorios puede que no estén instalados dependiendo de la combinación de las piezas.

Si necesita cualquier ayuda para más detalles en relación con estos accesorios, pregunte al centro de servicio Makita local.

- Manguera (para tipo aspiradora)
- Manguera (para tipo extracción de polvo)
- Tubo de extensión
- Boquilla de goma flexible
- Boquilla en T
- Boquilla para asientos
- Boquilla para esquinas
- Cepillo para estanterías
- Cepillo redondo
- Conjunto de tubo curvado
- Bolsa de filtro
- Bolsa de polvo
- Manguito delantero
- Filtro HEPA
- Tubo
- Cubierta del arnés
- Colector ciclónico
- Batería y cargador genuinos de Makita

## AVISO

- Esta máquina não deve ser utilizada por pessoas com capacidades físicas, sensoriais ou mentais reduzidas nem por crianças ou pessoas com falta de experiência ou conhecimentos.
- As crianças devem ser supervisionadas, de modo a assegurar que não brincam com o aspirador.
- Consulte o capítulo “ESPECIFICAÇÕES” para ficar a saber a referência de tipo da bateria.
- Consulte a secção “Instalar ou remover a bateria” para saber como remover ou instalar a bateria.
- Quando eliminar a bateria, remova-a da ferramenta e elimine-a num local seguro. Siga os regulamentos locais relacionados com a eliminação de baterias.
- Se a ferramenta não for utilizada durante um período de tempo prolongado, a bateria deve ser removida da ferramenta.
- Não coloque a bateria em curto-circuito.
- Consulte o capítulo “MANUTENÇÃO” para obter as informações adequadas sobre as precauções a ter durante a manutenção pelo utilizador.

## ESPECIFICAÇÕES

<b>Modelo:</b>		<b>VC011G</b>
Capacidade	Saco do filtro	6,0 L
	Saco para pó	5,5 L
Volume máximo de ar (Com mangueira com $\varnothing$ de 32 mm x 1,0 m)		2,4 m <sup>3</sup> /min
Vácuo		20 kPa
Dimensões (C x L x A) (excluindo a cablagem, com BL4050F)		336 mm x 185 mm x 543 mm
Tensão nominal		C.C. 36 V - 40 V máx.
Peso líquido		6,4 - 9,5 kg

- Devido a um programa contínuo de pesquisa e desenvolvimento, estas especificações estão sujeitas a alteração sem aviso prévio.
- As especificações podem diferir de país para país.
- O peso não inclui os acessórios mas a(s) bateria(s). Os pesos combinados mais leve e mais pesado do aparelho e da(s) bateria(s) são indicados na tabela.
- O comprimento da mangueira fornecida varia em função dos países.

## Bateria e carregador aplicável

Bateria	BL4020 / BL4025 / BL4040 / BL4040F / BL4050F / BL4080F
Carregador	DC40RA / DC40RB / DC40RC / DC40WA

- Algumas das baterias e carregadores listados acima poderão não estar disponíveis, dependendo da sua região de residência.

**⚠AVISO:** Utilize apenas as baterias e carregadores listados acima. A utilização de quaisquer outras baterias e carregadores pode causar ferimentos e/ou um incêndio.

**⚠AVISO:** Não utilize uma fonte de alimentação com fio como um adaptador da bateria ou adaptador de baterias tipo mochila com este aparelho. O cabo de tal fonte de alimentação pode impedir a operação e resultar em ferimentos pessoais.

## Símbolos

A seguir são apresentados os símbolos que podem ser utilizados para o equipamento. Certifique-se de que compreende o seu significado antes da utilização.

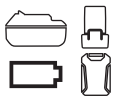


Leia o manual de instruções.



Tenha especial cuidado e atenção.





Uma bateria típica aplicável a este produto.



Apenas para países da UE  
Devido à presença de componentes perigosos no equipamento, os resíduos de equipamentos elétricos e eletrónicos, acumuladores e baterias podem ter um impacto negativo no meio ambiente e na saúde humana.

Não elimine aparelhos elétricos e eletrónicos ou baterias juntamente com resíduos domésticos!

De acordo com a Diretiva europeia relativa aos resíduos de equipamentos elétricos e eletrónicos, acumuladores e baterias, bem como a respetiva adaptação à legislação nacional, os resíduos de equipamentos elétricos e eletrónicos, acumuladores e baterias devem ser armazenados separadamente e entregues num ponto de recolha separado para resíduos municipais, que opere de acordo com os regulamentos de proteção ambiental.

Tal é indicado pelo símbolo de contentor de lixo com rodas barrado com uma cruz colocado no equipamento.

## Utilização a que se destina

O aparelho serve para recolher pó seco. O aparelho é adequado para utilização comercial, por exemplo, em hotéis, escolas, hospitais, fábricas, lojas, escritórios e empresas de aluguer.

## Ruído

A característica do nível de ruído A determinado de acordo com a EN60335-2-69:  
Nível de pressão acústica ( $L_{pA}$ ): 70 dB (A) ou menos  
Variabilidade (K): 2,5 dB (A)

O nível de ruído durante o funcionamento pode exceder 80 dB (A).

**NOTA:** O(s) valor(es) da emissão de ruído indicado(s) foi medido de acordo com um método de teste padrão e pode ser utilizado para comparar duas ferramentas.

**NOTA:** O(s) valor(es) da emissão de ruído indicado(s) pode também ser utilizado na avaliação preliminar da exposição.

**AVISO:** Utilize protetores auriculares.

**AVISO:** A emissão de ruído durante a utilização real da ferramenta elétrica pode diferir do(s) valor(es) indicado(s), dependendo das formas como a ferramenta é utilizada, especialmente o tipo de peça de trabalho que é processada.

**AVISO:** Certifique-se de identificar as medidas de segurança para proteção do operador que sejam baseadas em uma estimativa de exposição em condições reais de utilização (considerando todas as partes do ciclo de operação, tal como quando a ferramenta está desligada e quando está a funcionar em marcha lenta além do tempo de acionamento).

## Vibração

Valor total da vibração (soma vetorial tri-axial) determinado de acordo com a EN60335-2-69:

Modo de trabalho: funcionamento sem carga

Emissão de vibração ( $a_h$ ): 2,5 m/s<sup>2</sup> ou menos

Variabilidade (K): 1,5 m/s<sup>2</sup>

**NOTA:** O(s) valor(es) total(ais) de vibração indicado(s) foi medido de acordo com um método de teste padrão e pode ser utilizado para comparar duas ferramentas.

**NOTA:** O(s) valor(es) total(ais) de vibração indicado(s) pode também ser utilizado na avaliação preliminar da exposição.

**AVISO:** A emissão de vibração durante a utilização real da ferramenta elétrica pode diferir do(s) valor(es) indicado(s), dependendo das formas como a ferramenta é utilizada, especialmente o tipo de peça de trabalho que é processada.

**AVISO:** Certifique-se de identificar as medidas de segurança para proteção do operador que sejam baseadas em uma estimativa de exposição em condições reais de utilização (considerando todas as partes do ciclo de operação, tal como quando a ferramenta está desligada e quando está a funcionar em marcha lenta além do tempo de acionamento).

## Declarações de conformidade

*Apenas para os países europeus*

As Declarações de conformidade estão incluídas no Anexo A deste manual de instruções.

## AVISOS DE SEGURANÇA

### Avisos de segurança do aspirador a bateria

**AVISO:** IMPORTANTE! LEIA COM ATENÇÃO todos os avisos de segurança e todas as instruções ANTES DA UTILIZAÇÃO. Caso não siga os avisos e instruções, pode apanhar um choque elétrico, provocar um incêndio e/ou ferimentos graves.

1. Antes de utilizar, certifique-se de que este aspirador é utilizado por pessoas que tenham recebido instruções adequadas sobre a utilização deste aspirador.
2. Não utilize o aspirador sem o filtro. Substitua imediatamente o filtro danificado.
3. Não tente aspirar materiais inflamáveis, fogo de artifício, cigarros acesos, cinzas quentes, aparas metálicas quentes, materiais aguçados como lâminas, agulhas, vidro partido ou outros do género.
4. NUNCA UTILIZE O ASPIRADOR JUNTO DE GASOLINA, GÁS, TINTA, COLAS OU OUTRAS SUBSTÂNCIAS ALTAMENTE EXPLOSIVAS. O interruptor emite faíscas quando se liga e

- desliga. O mesmo acontece com o computador do motor durante o funcionamento. Pode resultar em explosão perigosa.
5. Este aspirador não é adequado para aspirar poeiras perigosas.
  6. Nunca aspire produtos tóxicos, carcinogénicos, combustíveis ou outros materiais perigosos como amianto, arsénico, bário, berílio, chumbo, pesticidas ou outros materiais que ponham a saúde em perigo.
  7. Nunca utilize o aspirador no exterior, à chuva.
  8. No caso da Finlândia, esta máquina não deve ser utilizada ao ar livre a baixa temperatura.
  9. Não utilize junto de fontes de calor (fornos, etc.).
  10. Não bloqueie os ventiladores de arrefecimento. Estes ventiladores permitem arrefecer o motor. Os entupimentos devem ser cuidadosamente evitados, caso contrário, o motor queima por falta de ventilação.
  11. Mantenha sempre o equilíbrio e os pés bem assentes no chão.
  12. Não dobre, arraste nem pise a mangueira.
  13. Desligue imediatamente o aspirador se notar qualquer falta de desempenho ou algo fora do normal durante o funcionamento.
  14. **DESLIGUE AS BATERIAS.** Quando não estiver a utilizar o aparelho, antes da assistência técnica e quando mudar de acessórios.
  15. Limpe e faça a assistência ao aspirador imediatamente após cada utilização para o manter nas condições de funcionamento normal.
  16. **CONSERVE O ASPIRADOR COM CUIDADO.** Mantenha o aspirador limpo para obter um desempenho melhor e mais seguro. Siga as instruções para mudar os acessórios. Mantenha as pegas secas, limpas e sem óleo e gordura.
  17. **VERIFIQUE AS PEÇAS DANIFICADAS.** Antes de continuar a utilizar o aspirador deve verificar cuidadosamente se qualquer resguardo ou outra peça está danificado para determinar se o aspirador funcionará adequadamente e realizará a função pretendida. Verifique o alinhamento das peças móveis, a união das peças móveis, a quebra de peças, a montagem e quaisquer outras condições que possam afetar o seu funcionamento. Um resguardo ou outra peça danificado deve ser adequadamente reparado ou substituído por um centro de assistência autorizado, a menos que indicado o contrário em qualquer outro lugar neste manual. Peça a substituição de interruptores defeituosos junto de um centro de assistência autorizado. Não utilize o aspirador se o interruptor não o ligar ou desligar.
  18. **PEÇAS DE SUBSTITUIÇÃO.** Durante a assistência, utilize apenas peças de substituição idênticas.
  19. Quando não estiver a ser utilizado, guarde sempre o aspirador num local interior.
  20. Tenha cuidado com o aspirador. Um manuseamento severo pode provocar quebras até mesmo ao aspirador mais robusto.
  21. Não tente limpar o exterior ou o interior com benzina, diluente ou produtos químicos de limpeza. Pode provocar rachas ou descoloração.
  22. Não utilize o aspirador num espaço fechado onde existam vapores inflamáveis, explosivos ou tóxicos devido a tintas à base de óleo, diluente de tinta, gasolina, algumas substâncias repelentes de traças, etc. ou em áreas onde estejam presentes poeiras inflamáveis.
  23. Não utilize o aspirador sob a influência de drogas ou álcool.
  24. Utilize óculos de segurança ou de proteção com proteções laterais como medida básica de segurança.
  25. Utilize uma máscara contra pó em condições de trabalho poeirentas.
  26. Nunca manuseie a(s) bateria(s) e o aspirador com as mãos molhadas.
  27. Tenha extremo cuidado quando limpar escadas.
  28. Não utilize o aspirador como banco ou bancada de trabalho. A máquina pode cair e resultar em ferimentos pessoais.
  29. Não permita que a familiaridade adquirida pelo uso frequente das ferramentas o tornem complacente e o faça ignorar os princípios de segurança da ferramenta. Uma ação descuidada pode causar lesões graves numa fração de segundos.
- Utilização e cuidados com a ferramenta a bateria**
1. **Recarregue apenas com o carregador especificado pelo fabricante.** Um carregador adequado para um tipo de bateria pode criar um risco de incêndio quando utilizado com outra bateria.
  2. **Utilize as ferramentas elétricas apenas com as baterias especificamente designadas.** A utilização de uma bateria diferente pode criar um risco de ferimentos e de incêndio.
  3. **Quando a bateria não está a ser utilizada, mantenha-a afastada de outros objetos metálicos, como cliques, moedas, chaves, pregos, parafusos ou outros objetos metálicos pequenos que possam fazer a ligação entre os dois terminais.** Colocar os terminais da bateria em curto-circuito um com o outro pode provocar queimaduras ou um incêndio.
  4. **Em condições abusivas, o líquido pode ser ejetado da bateria; evite o contacto com o mesmo. Se ocorrer um contacto acidental, lave com água. Se o líquido entrar em contacto com os olhos, procure também assistência médica.** O líquido ejetado da bateria pode provocar irritações ou queimaduras.
  5. **Não utilize um conjunto de baterias ou uma ferramenta que se encontrem danificados ou modificados.** As baterias danificadas ou modificadas poderão exibir um comportamento imprevisível, resultando em incêndio, explosão ou risco de lesão.
  6. **Não exponha um conjunto de baterias ou uma ferramenta a incêndio ou temperatura excessiva.** A exposição a incêndio ou a uma temperatura superior a 130 °C poderá causar uma explosão.

7. **Siga todas as instruções de carregamento e não carregue o conjunto de baterias ou ferramenta fora da amplitude de temperaturas especificada nas instruções.** O carregamento impróprio ou a temperaturas fora da amplitude especificada poderá danificar a bateria e aumentar o risco de incêndio.

#### Assistência

1. **A ferramenta elétrica deve receber assistência por parte de pessoal qualificado que utilize apenas peças de substituição idênticas.** Isto garantirá que a segurança da ferramenta elétrica é mantida.
2. **Nunca repare conjuntos de baterias danificados.** A reparação de conjuntos de baterias apenas deve ser realizada pelo fabricante ou por prestadores de serviços autorizados.
3. **Siga as instruções para lubrificação e mudança de acessórios.**
4. **Mantenha as pegas secas, limpas e sem óleo e massa lubrificante.**

### Instruções de segurança importantes para a bateria

1. **Antes de utilizar a bateria, leia todas as instruções e etiquetas de precaução no (1) carregador de bateria (2) bateria e (3) produto que utiliza a bateria.**
2. **Não desmonte ou manipule a bateria.** Pode resultar num incêndio, em calor excessivo ou numa explosão.
3. **Se o tempo de funcionamento se tornar excessivamente curto, pare o funcionamento imediatamente. Pode resultar em sobreaquecimento, possíveis queimaduras e mesmo explosão.**
4. **Se entrar eletrólito nos seus olhos, lave-os com água e consulte imediatamente um médico. Pode resultar em perda de visão.**
5. **Não coloque a bateria em curto-circuito:**
  - (1) **Não toque nos terminais com qualquer material condutor.**
  - (2) **Evite guardar a bateria juntamente com outros objetos metálicos tais como pregos, moedas, etc.**
  - (3) **Não exponha a bateria à água ou chuva. Um curto-circuito pode ocasionar um enorme fluxo de corrente, sobreaquecimento, possíveis queimaduras e mesmo estragar-se.**
6. **Não guarde nem utilize a ferramenta e a bateria em locais onde a temperatura pode atingir ou exceder 50 °C.**
7. **Não queime a bateria mesmo que esteja estragada ou completamente gasta. A bateria pode explodir no fogo.**
8. **Não preegue, corte, esmague, atire, deixe cair a bateria, nem bata a bateria contra um objeto rijo.** Esta conduta pode resultar num incêndio, em calor excessivo ou numa explosão.
9. **Não utilize uma bateria danificada.**
10. **As baterias de íões de lítio contidas na ferramenta são sujeitas aos requisitos da DGL (Dangerous Goods Legislation - Legislação de**

#### bens perigosos).

Para o transporte comercial, por exemplo, por terceiros ou agentes de expedição, têm de ser observados os requisitos referentes à embalagem e etiquetagem.

Para preparação do artigo a ser expedido, é necessário consultar um perito em materiais perigosos. Tenha ainda em conta a possibilidade de existirem regulamentos nacionais mais detalhados.

Coloque fita-cola ou tape os contactos abertos e embale a bateria de tal forma que não possa mover-se dentro da embalagem.

11. **Quando eliminar a bateria, remova-a da ferramenta e elimine-a num local seguro. Siga os regulamentos locais relacionados com a eliminação de baterias.**
12. **Utilize as baterias apenas com os produtos especificados pela Makita.** Instalar as baterias em produtos não-conformes poderá resultar num incêndio, calor excessivo, explosão ou fuga de eletrólito.
13. **Se a ferramenta não for utilizada durante um período de tempo prolongado, a bateria deve ser removida da ferramenta.**
14. **Durante e após a utilização, a bateria pode aquecer, o que pode provocar queimaduras ou queimaduras a baixa temperatura. Preste atenção ao manuseamento de baterias quentes.**
15. **Não toque no terminal da ferramenta imediatamente após a utilização, pois pode ficar suficientemente quente para provocar queimaduras.**
16. **Não permita a adesão de aparas, pó ou sujidade nos terminais, nos orifícios e nas ranhuras da bateria.** Poderá fazer com que a ferramenta ou a bateria aqueça, incendeie, rebente e avarie, resultando em queimaduras ou ferimentos corporais.
17. **A menos que a ferramenta suporte a utilização perto de linhas elétricas de alta tensão, não utilize a bateria perto de linhas elétricas de alta tensão.** Pode resultar no mau funcionamento ou na avaria da ferramenta ou bateria.
18. **Mantenha a bateria afastada das crianças.**

### GUARDE ESTAS INSTRUÇÕES.

**⚠PRECAUÇÃO:** Utilize apenas baterias genuínas da Makita. A utilização de baterias não genuínas da Makita ou de baterias que foram alteradas, pode resultar no rebentamento da bateria provocando incêndios, ferimentos pessoais e danos. Além disso, anulará a garantia da Makita no que se refere à ferramenta e ao carregador Makita.

### Conselhos para manter a máxima vida útil da bateria

1. **Carregue a bateria antes que esteja completamente descarregada. Pare sempre o funcionamento da ferramenta e carregue a bateria quando notar menos poder na ferramenta.**
2. **Nunca carregue uma bateria completamente carregada. Carregamento excessivo diminui a vida útil da bateria.**

- Carregue a bateria à temperatura ambiente de 10 °C – 40 °C. Deixe que uma bateria quente arrefeça antes de a carregar.
- Quando não utilizar a bateria, remova-a da ferramenta ou do carregador.
- Carregue a bateria se não a utilizar durante um longo período de tempo (mais de seis meses).

## DESCRIÇÃO FUNCIONAL

**⚠️ PRECAUÇÃO:** Certifique-se sempre de que o aparelho está desligado e que as baterias foram removidas antes de ajustar ou verificar qualquer função no aparelho.

### Instalação ou remoção da bateria

**⚠️ PRECAUÇÃO:** Desligue sempre o aparelho antes de instalar ou remover a bateria.

**⚠️ PRECAUÇÃO:** Segure firmemente o aparelho e a bateria quando instalar ou remover a bateria. Se não segurar firmemente o aparelho e a bateria pode fazer com que escorreguem das suas mãos resultando em danos no aparelho e na bateria e ferimentos pessoais.

Para instalar as baterias, alinhe as linguetas nas baterias com as ranhuras no compartimento e deslize-as para a posição correta. Insira-as completamente até bloquearem na posição correta com um pequeno clique. Se conseguir ver os indicadores vermelhos conforme apresentado na figura, não estão completamente bloqueadas.

Para remover as baterias, deslize-as para fora do compartimento das baterias enquanto pressiona sem soltar os botões em frente das baterias.

► **Fig.1:** 1. Indicador vermelho 2. Botão 3. Bateria direita 4. Bateria esquerda

**⚠️ PRECAUÇÃO:** Instale sempre a bateria totalmente até o indicador vermelho não poder ser visto. Caso contrário, esta poderá cair do aparelho acidentalmente e provocar ferimentos em si ou em alguém próximo.

**⚠️ PRECAUÇÃO:** Não instale a bateria à força. Se a bateria não deslizar facilmente é porque não foi colocada corretamente.

O aspirador tem ranhuras de bateria duplas. Pode optar por baterias duplas ou bateria única de acordo com as suas necessidades.

#### Com baterias duplas

O funcionamento contínuo com duas baterias permite um maior tempo de funcionamento e uma limpeza mais eficiente. Quando a primeira bateria estiver a ficar descarregada, o aspirador muda automaticamente de fonte de alimentação para que continue a trabalhar com a segunda bateria.

**NOTA:** A ranhura da bateria direita (quando está voltada para a parte dianteira do aspirador) tem prioridade sobre a ranhura da bateria esquerda. A ranhura da bateria esquerda será apenas identificada como uma fonte de alimentação quando não estiver instalada qualquer bateria na ranhura da bateria direita ou a bateria na ranhura da bateria direita ficar descarregada.

**NOTA:** Pode remover a bateria da ranhura da bateria direita e recarregá-la após o aspirador ter mudado a respetiva fonte de alimentação da ranhura da bateria direita para a esquerda sem interromper a operação. Para voltar a dar prioridade à ranhura da bateria direita após a instalação de uma bateria recarregada, reinicie o aspirador.

**NOTA:** Quando o aspirador muda de fonte de alimentação da primeira bateria para a segunda, pode ser necessária uma paragem temporária das operações, provocando uma ligeira perda de sucção. Não se trata de uma avaria pelo que o aspirador recupera e retoma as operações imediatamente após a pausa.

#### Com uma única bateria

É apenas necessária uma bateria como fonte de alimentação na ranhura da bateria direita ou esquerda. O aspirador determina automaticamente que ranhura da bateria está disponível.

### Indicação da capacidade restante da bateria

Prima o botão de verificação na bateria para indicar a capacidade restante da bateria. As luzes indicadoras acendem durante alguns segundos.


► **Fig.2:** 1. Luzes indicadoras 2. Botão de verificação

Luzes indicadoras			Capacidade restante
Acaso	Apagado	A piscar	
■	■ ■ ■ ■	■	75% a 100%
■	■ ■ ■ □	■	50% a 75%
■	■ ■ □ □	■	25% a 50%
■	□ □ □ □	■	0% a 25%
▣	□ □ □ □	□	Carregar a bateria.
■	■ □ □ □	□	A bateria pode estar avariada.
□	□ □ ■ ■	□	


**NOTA:** Dependendo das condições de utilização e da temperatura ambiente, a indicação pode ser ligeiramente diferente da capacidade real.








**NOTA:** A primeira luz indicadora (extremo esquerdo) pisca quando o sistema de proteção da bateria funciona.

## Indicar a capacidade restante da bateria na caixa de interruptores

A capacidade restante da bateria pode ser verificada na caixa de interruptores. Pressione o botão  para indicar as capacidades restantes das baterias.






As indicações "L" e "R" na caixa de interruptores correspondem, respetivamente, às baterias esquerda e direita. Siga a indicação quando substituir a bateria.

► **Fig.3:** 1. Indicador da bateria 2. Botão de verificação da bateria/luz LED 

Estado dos indicadores da bateria			Capacidade restante da bateria
 Aceso	 Apagado	 A piscar	
			50% a 100%
			20% a 50%
			0% a 20%
			Carregar a bateria

## Sistema de proteção do aparelho/da bateria

O aparelho está equipado com um sistema de proteção do aparelho/da bateria. Este sistema desliga automaticamente a alimentação do motor para prolongar a vida útil do aparelho e da bateria. Nesta situação, o indicador da bateria acende conforme apresentado na seguinte tabela.

Estado do indicador da bateria			Estado
 Ligada	 Desligada	 A piscar	
			Proteção contra sobrecarga (bateria)/ Proteção contra sobreaquecimento (bateria)/ Proteção contra descarga excessiva
			Proteção contra sobreaquecimento (aparelho)

O aparelho e a luz LED param automaticamente durante o funcionamento se o aparelho ou a bateria se encontrarem numa das seguintes condições:

## Proteção contra sobrecarga

Quando o aparelho/a bateria é utilizado/a de uma forma que causa a absorção de uma corrente anormalmente alta, o aparelho para automaticamente. Nesta situação, desligue o aparelho e pare a aplicação que causou a sobrecarga do aparelho. Em seguida, ligue o aparelho para reiniciar.

## Proteção contra sobreaquecimento

Quando o aparelho/a bateria estiver sobreaquecido/a, o aparelho para automaticamente. Nesta situação, deixe o aparelho/a bateria arrefecer antes de ligar novamente o aparelho.

## Proteção contra descarga excessiva

Quando a capacidade da bateria ficar fraca, o aparelho para automaticamente. Se o produto não funcionar mesmo quando os interruptores são acionados, retire as baterias do aparelho e carregue-as.

## Proteções contra outras causas

O sistema de proteção foi também concebido para outras causas que possam danificar o aparelho e permite ao aparelho parar automaticamente. Tome todas as medidas que se seguem para eliminar as causas quando o aparelho tiver parado ou interrompido temporariamente a operação.

1. Desligue o aparelho e, em seguida, volte a ligá-lo para reiniciar.
2. Carregue a(s) bateria(s) ou substitua-a(s) por bateria(s) recarregada(s).
3. Deixe o aparelho e a(s) bateria(s) arrefecerem.

Se não for possível constatar qualquer melhoria através do restauro do sistema de proteção, contacte o centro de assistência Makita local.

## Posição da caixa de interruptores

A caixa de interruptores pode ser enganchada em qualquer um dos lados do cinto inferior. Coloque o cabo de forma a que a caixa de interruptores fique do lado que pretender. Para evitar que o cabo fique danificado, passe-o através da ranhura conforme ilustrado.

► **Fig.4:** 1. Ranhura 2. Cabo

## Cintos de ajuste

O aperto dos cintos de ombro e dos cintos superior e inferior pode ser ajustado. Primeiro, passe os braços através dos cintos de ombro, depois, aperte os cintos inferior e superior. Para apertar, puxe a extremidade da correia como ilustrado. Para soltar, puxe para cima a extremidade do prendedor.

### Cinto inferior

► **Fig.5:** 1. Correia 2. Prendedor

### Cintos de ombros

► **Fig.6:** 1. Correia 2. Prendedor

### Cinto superior

► **Fig.7:** 1. Correia 2. Prendedor


## Gancho de transporte


Agarre sempre pelo gancho de transporte quando manusear o corpo do aspirador.

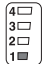



► **Fig.8:** 1. Gancho de transporte

## Ação do interruptor

Para iniciar o aspirador, pressione simplesmente o botão ①. Para desligar, pressione novamente o botão ①.

Pode alterar a potência de sucção do aspirador em quatro passos pressionando o botão . De cada vez que pressionar este botão, o modo 1 a 4 repete-se num ciclo.

► **Fig.9:** 1. Botão de mudança da potência de sucção  2. Botão LIGAR/DESLIGAR ①



Nível	Indicação	Modo
1		Modo silencioso
2		Modo de velocidade normal
3		Modo de alta velocidade
4		Modo de velocidade máx.

**NOTA:** Pode alterar a potência de sucção antes de ligar o aspirador.

**NOTA:** O aspirador inicia a operação com a mesma potência de sucção da última operação.

**NOTA:** Se remover a bateria imediatamente após desligar o aparelho, enquanto o motor estiver a rodar, o aspirador pode não iniciar a operação com a mesma potência de sucção da última operação.

## Luz LED

A luz LED está instalada na parte superior da caixa de interruptores para facilitar as operações em locais escuros. Pressione e mantenha pressionado o botão  para acender a luz. Para desligar, volte a pressionar e manter pressionado o botão .

► **Fig.10**

**⚠PRECAUÇÃO:** Não olhe para a luz, nem observe a fonte de luz diretamente. Nunca aponte a luz para os olhos das outras pessoas.

**NOTA:** A luz LED apaga-se automaticamente quando o aspirador não está a funcionar há mais de 10 minutos.

## Faixa da mangueira

A faixa da mangueira pode ser utilizada para segurar a mangueira ou o bocal em borracha flexível.

Para fixar a mangueira ao corpo do aspirador, passe a faixa da mangueira através da ranhura no corpo. Pode prender a faixa da mangueira em qualquer um dos lados.

► **Fig.11:** 1. Faixa da mangueira 2. Ranhura 3. Mangueira

As argolas no cinto inferior podem ser utilizadas para transportar bocais conforme ilustrado.

► **Fig.12:** 1. Argola 2. Bocal

## Gancho da mangueira

Quando suspender a operação, o gancho no conjunto de tubo curvo pode ser utilizado para pendurar o tubo na parte suspensa do cinto inferior.

► **Fig.13:** 1. Gancho 2. Cinto inferior 3. Parte suspensa

## MONTAGEM

**⚠PRECAUÇÃO:** Certifique-se sempre de que o aparelho está desligado e a bateria foi retirada antes de realizar qualquer trabalho no aparelho.

## Montar a mangueira

Insira a bainha da mangueira dentro do corpo do aspirador e gire-a para a direita.

► **Fig.14:** 1. Bainha da mangueira 2. Corpo do aspirador

## Utilizar como aspirador

### Ligar o conjunto de tubo curvo

#### Acessório opcional

**NOTA:** Não necessita de realizar este procedimento se o seu modelo for fornecido com o conjunto de tubo curvo preso à mangueira.

**NOTA:** Existem dois tipos de conjunto de tubo curvo; para o tubo extensor do tipo corrediço e para o tubo extensor do tipo anel. Se preparar o conjunto de tubo curvo, escolha um para o tipo de tubo extensor que desejar.

O conjunto de tubo curvo é utilizado para ligar o tubo extensor ou o bocal para aspiração a este produto. Se pretender utilizar este produto como aspirador, prenda o conjunto de tubo curvo na mangueira.

#### Para o conjunto de tubo curvo tipo aparafusável

Para prender, desaparafuse a bainha frontal da mangueira e aperte a manga do conjunto de tubo curvo à mangueira.

Para remover, solte a manga do conjunto de tubo curvo da mangueira.

► **Fig.15:** 1. Mangueira 2. Conjunto de tubo curvo 3. Manga

#### Para o conjunto de tubo curvo tipo encaixável

Para prender, insira a extremidade da mangueira no conjunto de tubo curvo. Certifique-se de que as abas na extremidade da mangueira encaixam nos orifícios no

conjunto de tubo curvo.

Para remover, puxe o conjunto de tubo curvo enquanto pressiona ambas as abas na extremidade da mangueira.

- **Fig.16:** 1. Extremidade da mangueira 2. Aba 3. Orifício 4. Conjunto de tubo curvo

## Montar o bocal e o tubo

### Acessório opcional

**NOTA:** O tipo de bocal e tubo incluídos no produto varia em função do país. Em alguns países, o bocal e o tubo não estão incluídos.

1. Rode e insira o bocal no tubo extensor.  
► **Fig.17:** 1. Tubo extensor 2. Bocal em borracha flexível 3. Bocal para cantos 4. Bocal em forma de T

Quando utilizar o bocal em T para mudança entre piso/ carpete, pode alterar o modo em função do local.

— Modo de piso: adequado para um local uniforme como um piso duro

— Modo de carpete: adequado para um local felpudo como uma carpete ou um tapete

- **Fig.18:** 1. Botão de mudança de modo 2. Modo de piso 3. Modo de carpete

**NOTA:** O bocal pode ser ligado firmemente ao tubo extensor, rodando-o enquanto é inserido.

**NOTA:** Para o modelo com mangueira de 38 mm de  $\varnothing$  e bainha frontal 38, prenda o bocal fornecido no tubo curvo de alumínio/tubo reto de alumínio.

2. Siga os procedimentos seguintes em função do tipo de tubo extensor:

**NOTA:** O tubo extensor do tipo correção e o tubo extensor do tipo anel não são compatíveis entre si. Se pretender mudar o tubo extensor do tipo correção para o tubo extensor do tipo anel ou vice-versa, mude também o conjunto de tubo curvo.

### Para o tubo extensor do tipo correção

Coloque o corpo do aspirador aos ombros e, em seguida, insira o tubo extensor no conjunto de tubo curvo até encaixar. Para desligá-lo, extraia o tubo extensor ao pressionar o botão.

- **Fig.19:** 1. Conjunto de tubo curvo 2. Botão 3. Tubo extensor do tipo correção 4. Bocal em borracha flexível

O comprimento do tubo pode ser ajustado.

Ajuste o comprimento do tubo ao pressionar o botão deslizante. O comprimento é bloqueado ao soltar o botão deslizante.

- **Fig.20:** 1. Botão deslizante

### Para o tubo extensor do tipo anel

Coloque o corpo do aspirador aos ombros e, em seguida, rode e insira o tubo extensor no conjunto de tubo curvo. Para desligá-lo, rode e extraia-o.

- **Fig.21:** 1. Conjunto de tubo curvo 2. Tubo extensor do tipo anel 3. Bocal em borracha flexível

**NOTA:** O bocal em borracha flexível pode ser ligado diretamente ao conjunto de tubo curvo sem bloqueio do tubo.

O comprimento do tubo pode ser ajustado.

Solte o anel no tubo e ajuste o comprimento do tubo.

Aperte o anel ao comprimento pretendido.

- **Fig.22:** 1. Anel

### Para o tubo curvo de alumínio/tubo reto de alumínio

(Apenas para o modelo com mangueira de 38 mm de  $\varnothing$  e bainha frontal 38)

Coloque o corpo do aspirador aos ombros e, em seguida, rode e insira o tubo na bainha frontal. Para desligar, rode e extraia-o.

- **Fig.23:** 1. Bainha frontal 38 2. Tubo curvo de alumínio 3. Tubo reto de alumínio 4. Bocal em forma de T

### Para os dois tubos retos de alumínio




Coloque o corpo do aspirador aos ombros e, em seguida, rode e insira os tubos. Para desligá-lo, rode e extraia-o.



- **Fig.24:** 1. Conjunto de tubo curvo 2. Tubo reto de alumínio 1 3. Tubo reto de alumínio 2

## Ligar a ferramenta

**NOTA:** Se o conjunto de tubo curvo estiver preso à mangueira, remova-o previamente.

Para ligar uma ferramenta ao aspirador, é necessária a mangueira relevante e/ou peças adicionais. Dependendo do modelo do aspirador, tem de substituir a mangueira e/ou preparar peças adicionais. Consulte a tabela seguinte para obter informações.

Diâmetro da mangueira fornecida	Tipo de extremidade da mangueira	Ação
$\varnothing 28$ mm	 sem peça	Prenda a bainha frontal.
	 com peça de encaixe	Substitua a extremidade da mangueira (peça de encaixe) pela bainha frontal. A extremidade da mangueira pode ser removida, rodando-a para a esquerda.
$\varnothing 32$ mm	 com peça de encaixe	Substitua a mangueira pela mangueira para extração de poeira ( $\varnothing 28$ mm, com bainha frontal).

Diâmetro da mangueira fornecida	Tipo de extremidade da mangueira	Ação
ø38 mm		Substitua a mangueira pela mangueira para extração de poeira (ø28 mm, com bainha frontal).
	com peça de encaixe	
		Prenda a junta 22-38 ou a bainha frontal 24.
	com bainha frontal 38	

**NOTA:** Utilize sempre uma bainha frontal adequada. Quando utilizar a bainha frontal 24, prenda-a na bainha frontal 22 que está ligada à mangueira.

► **Fig.25:** 1. Bainha frontal 22 2. Bainha frontal 24

## Quando utilizar a mangueira de extração de poeiras de ø28 mm

1. Prenda a bainha frontal na mangueira para extração de poeiras.

Quando ligar a bainha frontal, certifique-se de que esta está bem aparafusada na mangueira.

2. Ligue a bainha frontal à saída de extração da ferramenta.

► **Fig.26:** 1. Bainha frontal 2. Saída de extração 3. Mangueira

A bainha frontal pode ser removida ao rodá-la para a esquerda enquanto segura na mangueira.

## Quando utilizar a mangueira de ø38 mm com bainha frontal 38

1. Rode e insira a junta ou a bainha frontal na peça de entrada da mangueira, dependendo da ferramenta que vai ligar.

2. Ligue a bainha frontal à saída de extração da ferramenta.

► **Fig.27:** 1. Junta 2. Bainha frontal 3. Saída de extração 4. Mangueira

Para remover a junta e a bainha frontal, siga os procedimentos de instalação pela ordem inversa.

## Instalar o saco do filtro/saco para pó

### Acessório opcional

**⚠PRECAUÇÃO:** Não utilize um saco do filtro danificado. Utilize sempre o aspirador com o saco do filtro adequadamente instalado. Caso contrário, o pó ou as partículas aspiradas podem sair do aspirador e provocar doença respiratória ao operador.

Instale o saco para pó ou saco do filtro antes de utilizar o aspirador.

- O saco para pó é reutilizável após limpá-lo.
- O saco do filtro é do tipo descartável. Deite fora o saco do filtro completo sem esvaziá-lo quando ficar cheio.

**OBSERVAÇÃO:** Quando o saco do filtro está cheio, substitua por um novo. Quando o saco para pó está cheio, esvazie-o. A utilização contínua com o saco do filtro/saco para pó cheio resulta em potência de sucção reduzida.

**OBSERVAÇÃO:** Para evitar que o pó entre no motor:

- Certifique-se de que o saco do filtro/saco para pó está instalado antes da utilização.
- Não utilize um saco partido ou rasgado.

Caso contrário, o motor poderá estar avariado.

**OBSERVAÇÃO:** Não dobre o papelão na sua abertura quando instalar o saco do filtro/saco para pó.

**OBSERVAÇÃO:** O saco do filtro/saco para pó para o aspirador é um componente importante para manter o desempenho do aparelho. Utilizar um saco do filtro/saco para pó não genuíno poderá causar fumo ou ignição.

**NOTA:** Quando o saco do filtro/saco para pó não estiver instalado no aspirador, a tampa frontal não fecha completamente.

► **Fig.28**

1. Desbloqueie a alavanca e abra a tampa frontal.

► **Fig.29:** 1. Alavanca 2. Tampa frontal

2. Insira o saco do filtro dentro da fenda na parte superior do espaço, como ilustrado.

► **Fig.30:** 1. Fenda 2. Saco do filtro

Quando utilizar o saco para pó, insira a aba do saco para pó dentro da fenda.

► **Fig.31:** 1. Fenda 2. Aba 3. Saco para pó

3. Alinhe o orifício do saco do filtro com a bainha da mangueira e empurre a parte de cartão até ao fim. Certifique-se de que o anel de borracha no saco do filtro passa sobre a borda na bainha da mangueira.

► **Fig.32:** 1. Anel de borracha no saco do filtro 2. Borda na bainha da mangueira 3. Parte de cartão do saco do filtro 4. Bainha da mangueira

4. Bloqueie a tampa frontal de forma segura.

**⚠PRECAUÇÃO:** Tenha cuidado para não prender os dedos quando enganchar o trinco e quando fechar a tampa frontal.

## Tampa da cablagem

### Acessório opcional

Quando utilizar a tampa da cablagem, siga o procedimento abaixo para a prender.



**NOTA:** Quando instalar a tampa da cablagem, não se engane na parte dianteira e na parte traseira da tampa da cablagem.

**NOTA:** A tampa da cablagem é lavável. Siga as instruções de lavagem constantes na etiqueta.

► Fig.33

1. Estenda a tampa da cablagem sobre a cablagem.  
► Fig.34
2. Prenda as correias de ombro da cablagem com os fechos de fixação por meio de fitas de tecido autocolantes da tampa da cablagem. Enganche a fita da tampa da cablagem na cablagem.  
► Fig.35




## OPERAÇÃO

**⚠AVISO:** Os operadores devem receber instruções adequadas sobre a utilização do aspirador.

**⚠AVISO:** Este aspirador não é adequado para aspirar poeiras perigosas.

**⚠PRECAUÇÃO:** Este aspirador serve apenas para utilização a seco.

**⚠PRECAUÇÃO:** Durante a operação, esteja ciente do aspirador nas suas costas. Pode perder o equilíbrio se o corpo do aspirador bater contra uma parede ou a mangueira ficar presa num obstáculo.

1. Coloque o corpo do aspirador aos ombros e aperte os cintos superior e inferior. Ajuste o aperto conforme necessário.  
► Fig.36
2. Prima o botão  para começar a aspirar. Se pretender mudar a potência de sucção, prima o botão  até selecionar a potência de sucção pretendida. Prima o botão  para parar.  
► Fig.37

Durante a operação, enganche a caixa de interruptores no anel D ou na parte suspensa do cinto inferior. O gancho pode ser inclinado para iluminar para a frente quando enganchado na parte suspensa.

► Fig.38: 1. Anel D 2. Parte suspensa

3. Substitua o saco do filtro quando ficar cheio. Abra a tampa frontal e retire o saco do filtro. Puxe a tira na parte lateral da abertura para fechar o saco do filtro e eliminá-lo por inteiro.  
► Fig.39: 1. Tira

Quando utilizar um saco para pó, retire o saco para pó e elimine o pó libertando o trinco.

► Fig.40: 1. Trinco

**OBSERVAÇÃO:** Não coloque o saco do filtro/saco para pó ou outros objetos pesados sobre a tampa frontal. O aparelho pode cair.

**OBSERVAÇÃO:** Verifique periodicamente o saco do filtro para ver se o filtro está cheio ou não. A utilização contínua com o saco do filtro cheio resulta em potência de sucção reduzida.

**OBSERVAÇÃO:** Não utilize um saco do filtro usado. O saco do filtro foi concebido para uma única utilização. A utilização repetitiva do saco do filtro pode causar o entupimento do filtro e resultar em danos no aspirador. Se pretender usar o saco repetidamente, utilize um saco para pó.

## MANUTENÇÃO

**⚠PRECAUÇÃO:** Certifique-se sempre de que o aparelho está desligado e a bateria foi retirada antes de tentar realizar qualquer inspeção ou manutenção.

**OBSERVAÇÃO:** Nunca utilize gasolina, benzina, diluente, álcool ou produtos semelhantes. Pode ocorrer a descoloração, deformação ou rachaduras.

Para manter a SEGURANÇA e a FIABILIDADE do produto, as reparações e qualquer outra manutenção ou ajuste devem ser levados a cabo pelos centros de assistência Makita autorizados ou pelos centros de assistência de fábrica, utilizando sempre peças de substituição Makita.

## Limpar o filtro HEPA

**⚠PRECAUÇÃO:** Não utilize o aspirador sem um filtro nem continue a utilizar um filtro sujo ou danificado. O pó ou as partículas aspiradas podem sair do aspirador e provocar doença respiratória ao operador.

**OBSERVAÇÃO:** Para manter a potência de sucção ideal e um escape limpo, limpe o filtro periodicamente. Se não obtiver a potência de sucção suficiente, mesmo depois da limpeza, substitua o filtro por um novo.

**OBSERVAÇÃO:** Para evitar que o filtro fique danificado, não utilize as ferramentas seguintes itens semelhantes para limpá-lo:

- Soprador de ar
- Lavadora de alta pressão
- Ferramentas fabricadas com materiais rijos, tais como uma escova de arame

1. Abra a tampa frontal e retire o saco do filtro/saco para pó. Solte o gancho no filtro e retire-o do corpo do aspirador.

► Fig.41: 1. Gancho 2. Filtro HEPA

2. Bata o filtro para sacudir o pó. O filtro pode ser lavado com água. Lave o filtro para remover o pó e as partículas a cada 1 ou 2 meses. Depois disso, seque

o filtro completamente num local bem ventilado e à sombra para evitar cheiros desagradáveis ou falhas de funcionamento.

3. Para instalar o filtro, insira o lado sem os ganchos na ranhura e depois empurre o filtro até os ganchos ficarem presos com um clique.

► **Fig.42:** 1. Ranhura 2. Filtro HEPA 3. Gancho

## Limpar o filtro de esponja

**⚠PRECAUÇÃO:** Após limpar os filtros de esponja, certifique-se de que os instala no aspirador. Se forem lavados em água, seque-os totalmente antes de instalar. Os filtros de esponja que não estejam bem secos podem diminuir a vida útil do motor.

Os filtros de esponja sob o filtro HEPA evitam a entrada de pó no motor.

1. Remova os filtros de esponja do aspirador.

► **Fig.43:** 1. Filtro de esponja

2. Limpe e sacuda manualmente o pó dos filtros de esponja. Quando os filtros de esponja estiverem obstruídos, lave-os em água com sabão.

► **Fig.44**

3. Instale os filtros de esponja na sua posição original.

## Limpar o saco para o pó

Limpe com regularidade o saco para o pó com sabão e água. Vire o saco para o pó do avesso e retire o pó que está colado. Lave ligeiramente à mão e passe bem por água. Seque completamente antes de instalar no aspirador.

► **Fig.45**

**OBSERVAÇÃO:** Os sacos para o pó molhados reduzem o desempenho de aspiração, bem como a vida do motor.

## Limpar o entupimento

Quando limpar o entupimento, remova a mangueira ou o tubo extensor ou o conjunto de tubo curvo para verificar o interior.

Consulte a secção relativa à fixação do conjunto de tubo curvo.

## Limpar o compartimento do saco do filtro/saco para pó

Este aparelho está equipado com um sistema de batimento de pó. Ao caminhar enquanto transporta o aspirador, as molas sob a placa fazem vibrar a placa e sacodem o pó do saco do filtro/saco para pó.

Quando limpar o compartimento do saco do filtro/saco para pó, remova e limpe a placa no interior.

► **Fig.46:** 1. Placa

## Remover a placa

1. Remova o filtro HEPA. Consulte a secção para limpar o filtro HEPA para saber como remover.

2. Pressione a placa e deslize-a para a esquerda até

a placa tocar na parede.

3. Levante o lado direito da placa e retire-a.

► **Fig.47:** 1. Placa

A placa é suportada por três molas.

Se as molas se tiverem soltado das projeções, volte a prendê-las conforme ilustrado.

► **Fig.48:** 1. Mola longa 2. Mola curta 3. Projeção

**NOTA:** Prenda as molas firmemente para que as molas toquem na base das projeções.

## Prender a placa

1. Insira o lado reto da placa nos prendedores no lado esquerdo inferior do compartimento.

2. Coloque o lado direito da placa no devido lugar.

► **Fig.49:** 1. Placa 2. Lado reto 3. Prendedor

## ACESSÓRIO DE CICLONE

### Acessório opcional

**NOTA:** Quando utilizar o acessório de ciclone com este aparelho, é também necessário o tubo curvo.

► **Fig.50:** 1. Acessório de ciclone

## Informações sobre o acessório de ciclone

A utilização do aspirador com o acessório de ciclone instalado reduz a quantidade de pó que entra no saco para pó, o que ajuda a evitar o enfraquecimento da força de sucção. Além disso, a limpeza após a utilização também é simples.

**⚠PRECAUÇÃO:** Certifique-se sempre de que a ferramenta está desligada e que a bateria foi removida antes de executar qualquer trabalho na ferramenta. Se a bateria permanecer inserida, o aspirador pode arrancar inesperadamente e provocar ferimentos.

**⚠PRECAUÇÃO:** Limpe o filtro de rede do acessório de ciclone e o saco para pó da unidade do aspirador quando ficarem obstruídos. A utilização continuada no estado obstruído pode dar origem a aquecimento ou fumo.

**OBSERVAÇÃO:** Quando o acessório de ciclone estiver preso, não utilize o acessório de ciclone virado na horizontal ou na vertical. Se o fizer, pode fazer com que o filtro de rede fique obstruído.

**OBSERVAÇÃO:** Utilize sempre o aspirador com o saco para pó instalado, mesmo quando utilizar o acessório de ciclone. A utilização do aspirador sem o saco para pó instalado pode dar origem a uma avaria do motor.

**NOTA:** Verifique se o acessório de ciclone, o aspirador e o tubo reto estão devidamente bloqueados antes da utilização.

**NOTA:** Esvazie a caixa do pó do acessório de ciclone e o saco para pó do aspirador quando se tiver acumulado pó. A utilização continuada vai provocar o enfraquecimento da força de sucção.

**NOTA:** Pode utilizar o acessório de ciclone com ou sem a função de bloqueio.

**NOTA:** Para instalar ou remover o acessório de ciclone, consulte a secção "Utilizar como aspirador".

## Eliminar o pó

Quando o pó se tiver acumulado até à linha de enchimento máximo da caixa do pó, siga o procedimento seguinte e elimine o pó.

1. Segure a caixa do pó firmemente, pressione e mantenha os dois botões pressionados, e remova a caixa do pó.

► **Fig.51:** 1. Linha de enchimento máximo 2. Caixa do pó 3. Botão (dois locais) 4. Filtro de rede

2. Elimine o pó no interior da caixa do pó e remova quaisquer vestígios de pó e poeira que tenham aderido à superfície do filtro de rede.

3. Insira a caixa do pó completamente até os dois botões bloquearem com um clique.

► **Fig.52:** 1. Caixa do pó 2. Botão (dois locais)

**NOTA:** Verifique se o acessório de ciclone, o aspirador e o tubo reto estão devidamente bloqueados antes de reiniciar a operação.

**NOTA:** Se a força de sucção não melhorar mesmo após eliminar o pó e limpar o filtro de rede, verifique se o pó se acumulou no saco para pó do aspirador ou se ocorreu obstrução.

## Limpeza

Quando a caixa do pó ficar suja ou o filtro de rede estiver obstruído, remova-os e lave-os com água. (Consulte "Eliminar o pó" para ficar a conhecer o procedimento de remoção.)

Seque as peças completamente antes de voltar a instalar e utilizar.

► **Fig.53:** 1. Caixa do pó 2. Filtro de rede

Quando o filtro de rede ficar muito sujo, limpe-o com os seguintes procedimentos.

1. Rode o filtro de rede para a esquerda e remova-o enquanto os ganchos estiverem desbloqueados.

► **Fig.54:** 1. Filtro de rede 2. Gancho

2. Remova o pó existente no filtro de rede e, em seguida, lave-o com água. Em seguida, seque-o completamente.

3. Insira o filtro de rede na base enquanto os ganchos estiverem alinhados com a entrada. Rode o filtro de rede para a direita até os ganchos ficarem bloqueados com um clique. Certifique-se de que o filtro de rede está firmemente instalado.

► **Fig.55:** 1. Filtro de rede 2. Gancho 3. Entrada

## ACESSÓRIOS OPCIONAIS

**⚠PRECAUÇÃO:** Estes acessórios ou complementos são recomendados para utilização com o produto Makita especificado neste manual. A utilização de quaisquer outros acessórios ou complementos pode representar risco de ferimentos a pessoas. Utilize apenas acessórios ou complementos para os respetivos fins indicados.

Alguns acessórios podem não estar instalados de acordo com a combinação das peças. Se necessitar de informações adicionais relativas a estes acessórios, solicite-as ao seu centro de assistência Makita.

- Mangueira (para o tipo de aspirador)
- Mangueira (para o tipo de extração de pó)
- Tubo extensor
- Bocal em borracha flexível
- Bocal em forma de T
- Bocal para assentos
- Bocal para cantos
- Escova para prateleiras
- Escova redonda
- Conjunto de tubo curvo
- Saco do filtro
- Saco para pó
- Bainha frontal
- Filtro HEPA
- Tubo
- Tampa da cablagem
- Acessório de ciclone
- Bateria e carregador genuínos da Makita

**NOTA:** Alguns itens da lista podem estar incluídos na embalagem da ferramenta como acessórios padrão. Eles podem variar de país para país.

## ADVARSEL

- Denne maskine er ikke beregnet til brug af personer, herunder børn, med reducerede fysiske, sensoriske eller mentale færdigheder eller manglende erfaring og viden.
- Børn skal overvåges for at sikre, at de ikke leger med støvsugeren.
- Se kapitlet "SPECIFIKATIONER" for batteriets typereference.
- Se afsnittet "Installation eller fjernelse af akkuen" for at finde ud af, hvordan man fjerner eller installerer batteriet.
- Når du bortskaffer akkuen, skal du afmontere den fra maskinen og bortskaffe den på et sikkert sted. Følg dine lokale regler vedrørende bortskaffelse af batterier.
- Hvis maskinen ikke skal bruges i en længere periode, skal batteriet fjernes fra maskinen.
- Akkuen må ikke kortsluttes.
- Se kapitlet "VEDLIGEHOLDELSE" for at få de relevante oplysninger om forholdsregler under brugervedligeholdelse.

## SPECIFIKATIONER

<b>Model:</b>		<b>VC011G</b>
Kapacitet	Filterpose	6,0 L
	Støvpose	5,5 L
Maksimal luftvolumen (Med slange ø32 mm x 1,0 m)		2,4 m <sup>3</sup> /min
Vakuum		20 kPa
Mål (L x B x H) (undtagen bæreselen, med BL4050F)		336 mm x 185 mm x 543 mm
Nominel spænding		D.C. 36 V - 40 V maks.
Nettovægt		6,4 - 9,5 kg

- På grund af vores kontinuerlige forsknings- og udviklingsprogrammer kan hosstående specifikationer blive ændret uden varsel.
- Specifikationer kan variere fra land til land.
- Vægten inkluderer akku(er), men ikke tilbehør. Vægten af den letteste og tungeste kombination af apparat og akku(er) er vist i tabellen.
- Længden af den medfølgende slange varierer afhængigt af landet.

## Anvendelig akku og oplader

Akku	BL4020 / BL4025 / BL4040 / BL4040F / BL4050F / BL4080F
Oplader	DC40RA / DC40RB / DC40RC / DC40WA

- Nogle af de akkuer og opladere, der er angivet ovenfor, er muligvis ikke tilgængelige, afhængigt af hvilket område du bor i.

**⚠ ADVARSEL: Brug kun de akkuer og opladere, der er angivet ovenfor.** Brug af andre akkuer og opladere kan medføre personskaade og/eller brand.

**⚠ ADVARSEL: Brug ikke en ledningsbaseret strømforsyning som fx en batteriadapter eller bærbar strømforsyning med dette apparat.** Ledningen til sådan en strømforsyning kan hindre brugen og forårsage personskaade.

## Symboler

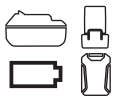
Følgende viser de symboler, der muligvis anvendes til udstyret. Sørg for, at du forstår deres betydning før brugen.



Læs betjeningsvejledningen.



Udvis særlig forsigtighed og opmærksomhed.



Et repræsentativt batteri, der kan anvendes til dette produkt.



Kun for lande inden for EU  
På grund af tilstedeværelsen af farlige komponenter i udstyret kan affald af elektrisk og elektronisk udstyr, akkumulatører og batterier have en negativ indvirkning på miljøet og folkesundheden.  
Bortskaf ikke elektriske og elektroniske apparater eller batterier sammen med husholdningsaffald!  
I overensstemmelse med EF-direktiv om affaldshåndtering af elektrisk og elektronisk udstyr og om akkumulatører og batterier og affaldsakkumulatører og -batterier, og i overensstemmelse med national lovgivning, skal brugt elektrisk udstyr, batterier og akkumulatører opbevares separat og leveres til et separat indsamlingssted for kommunalt affald, der er etableret i henhold til bestemmelserne om miljøbeskyttelse.  
Dette er angivet ved symbolet på den krydsede skraldespand, der er placeret på udstyret.

## Tilsigtet anvendelse

Apparatet er beregnet til opslugning af tørt støv.  
Apparatet er egnet til kommerciel brug, for eksempel i hoteller, skoler, hospitaler, fabrikker, butikker, kontorer og udlejningsvirksomheder.

## Støj

Det typiske A-vægtede støjniveau bestemt i overensstemmelse med EN60335-2-69:  
Lydtryksniveau ( $L_{pA}$ ): 70 dB (A) eller derunder  
Usikkerhed (K): 2,5 dB (A)

Støjniveauet under arbejdet kan overskride 80 dB (A).

**BEMÆRK:** De(n) angivne støjemissionsværdi(er) er målt i overensstemmelse med en standardtestmetode og kan anvendes til at sammenligne en maskine med en anden.

**BEMÆRK:** De(n) angivne støjemissionsværdi(er) kan også anvendes i en præliminær eksponeringsvurdering.

**⚠ ADVARSEL:** Bær høreværn.

**⚠ ADVARSEL:** Støjemissionen under den faktiske anvendelse af maskinen kan være forskellig fra de(n) angivne værdi(er), afhængigt af den måde hvorpå maskinen anvendes, især den type arbejdsemne der behandles.

**⚠ ADVARSEL:** Sørg for at identificere de sikkerhedsforskrifter til beskyttelse af operatøren, som er baseret på en vurdering af eksponering under de faktiske brugsforhold (med hensyntagen til alle dele i brugscyklussen, f.eks. de gange, hvor maskinen er slukket, og når den kører i tomgang i tilgift til afbrydertiden).

## Vibration

Vibrationens totalværdi (tre-aksial vektorsum) bestemt i overensstemmelse med EN60335-2-69:  
Arbejdsstilstand: brug uden belastning  
Vibrationsemission ( $a_{h}$ ): 2,5 m/s<sup>2</sup> eller mindre  
Usikkerhed (K): 1,5 m/s<sup>2</sup>

**BEMÆRK:** De(n) angivne totalværdi(er) for vibration er målt i overensstemmelse med en standardtestmetode og kan anvendes til at sammenligne en maskine med en anden.

**BEMÆRK:** De(n) angivne totalværdi(er) for vibration kan også anvendes i en præliminær eksponeringsvurdering.

**⚠ ADVARSEL:** Vibrationsemissionen under den faktiske anvendelse af maskinen kan være forskellig fra de(n) angivne værdi(er), afhængigt af den måde hvorpå maskinen anvendes, især den type arbejdsemne der behandles.

**⚠ ADVARSEL:** Sørg for at identificere de sikkerhedsforskrifter til beskyttelse af operatøren, som er baseret på en vurdering af eksponering under de faktiske brugsforhold (med hensyntagen til alle dele i brugscyklussen, f.eks. de gange, hvor maskinen er slukket, og når den kører i tomgang i tilgift til afbrydertiden).

## Overensstemmelseserklæringer

*Kun for lande i Europa*

Overensstemmelseserklæringerne er inkluderet i Bilag A i denne brugsanvisning.

## SIKKERHEDSADVARSLER

### Sikkerhedsadvarsler for akku støvsuger

**⚠ ADVARSEL:** VIGTIGT! LÆS OMHYGGELIGT alle sikkerhedsadvarsler og alle instruktioner FØR BRUGEN. Hvis advarslerne og instruktionerne ikke overholdes, kan det medføre elektrisk stød, brand og/eller alvorlig personskade.

1. Før brugen skal du sørge for, at denne støvsuger anvendes af personer, der er tilstrækkeligt oplært i brugen af støvsugeren.
2. Anvend ikke støvsugeren uden filteret. Udskift øjeblikkeligt et beskadiget filter.
3. Forsøg ikke at opsuge brændbare materialer, fyrværkeri, tændte cigaretter, varm aske, varme metalspånere, skarpe genstande som f.eks. barberblade, nåle, glasskår eller lignende.
4. BRUG ALDRIG STØVSUGEREN I NÆRHEDEN AF BENZIN, GAS, MALING, LIM ELLER ANDRE STÆRKT EKSPLOSIONSFARLIGE STOFFER. Afbryderen udsender gnister, når der tændes

- eller slukkes. Det samme gør motorkommuto-  
toren under brugen. Det kan medføre farlig  
eksplosion.
5. Denne støvsuger er ikke velegnet til opsamling  
af farligt støv.
  6. Støvsug aldrig giftstoffer, kræftfremkaldende  
stoffer, brændbare stoffer eller andre farlige  
materialer som f.eks. asbest, arsenik, barium,  
beryllium, bly, insektmidler eller andre sund-  
hedsskadelige materialer.
  7. Brug aldrig støvsugeren udenfor i regnvejr.
  8. I Finland er det ikke tilladt at benytte maskinen  
ved lave udendørstemperaturer.
  9. Brug ikke i nærheden af varmekilder (kømfurur  
og lignende).
  10. Bloker ikke ventilationsåbningerne til afkøling.  
Disse ventilationsåbninger muliggør afkøling  
af motoren. Blokering skal undgås omhygge-  
ligt, da motoren ellers vil brænde sammen på  
grund af manglende ventilation.
  11. Oprethold til enhver tid korrekt fodfæste og  
balance.
  12. Undlad at sammenfolde, rykke i eller træde på  
slangen.
  13. Stop med det samme støvsugeren, hvis du  
bliver opmærksom på dårlig ydelse eller noget  
unormalt under brugen.
  14. **TAG AKKUERNE UD.** Når maskinen ikke er i  
brug, før service, og når der skiftes tilbehør.
  15. Rengør og service støvsugeren umiddel-  
bart efter hver brug for at holde den i tiptop  
funktionstilstand.
  16. **VEDLIGEHOLD STØVSUGEREN**  
**OMHYGGELEGT.** Hold støvsugeren ren for at  
opnå bedre og sikrere ydelse. Følg instruktio-  
nerne for udskiftning af tilbehør. Hold håndta-  
gene tørre, rene og fri for olie og fedt.
  17. **KONTROLLER BESKADIGEDE DELE.** Før  
støvsugeren bruges igen, skal en beskyttel-  
sesskærm eller anden del, som er beskadiget,  
kontrolleres omhyggeligt for at fastslå, om  
den vil fungere korrekt og udføre sin tilsigtede  
funktion. Kontroller for justeringen af bevæ-  
gelige dele, binding af bevægelige dele, brud  
på dele, montering og alle andre forhold, der  
kan påvirke funktionaliteten. En beskyttel-  
sesskærm eller anden del, der er beskadiget,  
skal repareres korrekt eller udskiftes af et  
autoriseret servicecenter, medmindre andet  
fremgår andetsteds i denne brugsanvisning.  
Få defekte afbrydere udskiftet hos et autorise-  
ret servicecenter. Brug ikke støvsugeren, hvis  
afbryderen ikke kan tænde eller slukke for den.
  18. **RESERVEDELE.** Brug kun identiske reserve-  
dele i forbindelse med service.
  19. Når støvsugeren ikke er i brug, skal den altid  
opbevares indendørs.
  20. Behandl din støvsuger godt. Hårdhændet  
behandling kan medføre, at selv den mest  
solidt byggede støvsuger går i stykker.
  21. Forsøg ikke at rengøre uventydigt eller ind-  
vendigt med benzen, fortyndet eller kemiske  
rengøringsmidler. Dette kan medføre revner og  
misfarvning.
  22. Brug ikke støvsugeren i et aflukket lokale, hvor  
der afgives brændbare, eksplosive eller giftige  
dampe fra oliebaseret maling, malingsfor-  
tynder, benzin, visse mølmidler osv., eller på  
steder med brandfarligt støv.
  23. Anvend ikke støvsugeren, hvis du er påvirket  
af narkotika eller alkohol.
  24. Anvend som grundlæggende sikkerhedsregel  
beskyttelsesbriller eller sikkerhedsbriller med  
sideværn.
  25. Brug en støvmaske i støvede arbejdsforhold.
  26. Hånder aldrig batteriet eller batterierne og  
støvsugeren med våde hænder.
  27. Vær ekstremt forsigtig ved rengøring på  
trapper.
  28. Anvend ikke støvsugeren som taburet eller  
arbejdsbænk. Maskinen kan falde ned og forårs-  
age personskade.
  29. Lad ikke det faktum, at du er bekendt med  
maskiner efter hyppig brug, betyde, at du  
bliver skodesløs og ignorerer sikkerhedsprin-  
cipperne for maskiner. En uforsigtig handling  
kan medføre alvorlig personskade på en brøkdél  
af et sekund.
- Brug og vedligeholdelse af batteriet**
1. **Oplad kun med den oplader, som producenten  
angiver.** En oplader, der passer til én type batteri,  
kan forårsage brand, hvis den anvendes med et  
andet batteri.
  2. **Brug kun el-værktøjer sammen med de tilhø-  
rende batteripakker.** Brug af andre batteripakker  
kan forårsage personskade og brand.
  3. **Når batteripakker ikke anvendes, skal de  
holdes borte fra andre metalgenstande som  
papirclips, mønter, nøgler, søm, skruer og  
andre små metalgenstande, der kan skabe  
forbindelse mellem terminalerne.** Hvis batteriets  
terminaler kortsluttes, kan det forårsage brand.
  4. **I tilfælde af misbrug kan der sprøjte væske ud  
fra batteriet. Undgå kontakt. Skyl med vand,  
hvis De kommer i kontakt med væsken. Søg  
læge, hvis De får væske i øjet.** Væske, der  
sprøjter ud fra batteriet, kan medføre irritation eller  
forbrændinger.
  5. **Undlad at bruge en akku eller maskine, der  
er beskadiget eller ændret.** Beskadigede eller  
ændrede batterier kan fungere uforudsigeligt  
og medføre brand, eksplosion eller risiko for  
personskaade.
  6. **Undlad at udsætte en akku eller maskine for  
brand eller høje temperaturer.** Udsættelse for  
brand eller temperaturer på over 130 °C kan med-  
føre eksplosion.
  7. **Følg alle instruktioner vedrørende opladning,  
og undlad at oplade akkuen eller maskinen  
uden for det temperaturinterval, der er angivet  
i instruktionerne.** Opladning, der udføres forkert  
eller ved temperaturer uden for det angivne tem-  
peraturinterval, kan beskadige batteriet og med-  
føre øget risiko for brand.
- Service**
1. **Få udført service på el-værktøjet hos en auto-  
riseret mekaniker, og brug kun tilsvarende  
reserveredele.** Derved vedligeholdes el-værktøjets

sikkerhed.

2. **Udfør aldrig service på beskadigede akkuer.** Service på akkuer må kun udføres af producenten eller af autoriserede reparatører.
3. **Følg instruktionerne for smøring og udskiftning af tilbehør.**
4. **Hold håndtagene tørre, rene og fri for olie og fedtstoffer.**

## Vigtige sikkerhedsinstruktioner for akkuen

1. **Læs alle instruktioner og advarselmærkater på (1) akku-opladeren, (2) akkuen og (3) produktet, som anvender akku.**
2. **Adskil eller ændr ikke akkuen.** Det kan muligvis resultere i en brand, overdreven varme eller eksplosion.
3. **Hold straks op med anvendelsen, hvis brugstiden er blevet stærkt afkortet. Fortsat anvendelse kan resultere i risiko for overophedning, forbrændinger og endog eksplosion.**
4. **Hvis De har fået elektrolytvæske i øjnene, skal De straks skylle den ud med rent vand og derefter øjeblikkeligt søge lægehjælp. I modsat fald kan De miste synet.**
5. **Vær påpasselig med ikke at komme til at kortslutte akkuen:**
  - (1) Rør ikke ved terminalerne med noget ledende materiale.
  - (2) Undgå at opbevare akkuen i en beholder sammen med andre genstande af metal, for eksempel søm, mønter og lignende.
  - (3) Udsæt ikke akkuen for vand eller regn. Kortslutning af akkuen kan forårsage en kraftig øgning af strømmen, overophedning, mulige forbrændinger og endog værktøjstop.
6. **Opbevar og brug ikke maskinen og akkuen på steder, hvor temperaturen muligvis kan nå eller overstige 50 °C.**
7. **Lad være med at brænde akkuen, selv ikke i tilfælde, hvor den har lidt alvorlig skade eller er fuldstændigt udtjent. Akkuen kan eksplodere, hvis man forsøger at brænde den.**
8. **Slå ikke søm i, skår ikke i, knus, kast, tab ikke akkuen og stød ikke akkuen mod en hård genstand.** Sådan adfærd kan muligvis resultere i en brand, overdreven varme eller eksplosion.
9. **Anvend ikke en beskadiget akku.**
10. **De indbyggede litium-ion-batterier er underlagt lovkrav vedrørende farligt gods.** Ved kommerciel transport, f.eks. af tredjeparts transportselskaber, skal særlige krav til forpakning og mærkning overholdes. Ved forberedelse af udstyret til forsendelse skal du kontakte en ekspert i farligt gods. Overhold også eventuel mere detaljeret national lovgivning. Tape eller tildæk åbne kontakter, og pak batteriet på en måde, så det ikke kan flytte sig rundt i pakningen.
11. **Når akkuen bortskaftes, skal du fjerne den fra maskinen og bortskaft den på et sikkert sted. Følg de lokale love vedrørende bortskaftelsen af batterier.**

12. **Brug kun batterierne med de produkter, som Makita specificerer.** Hvis batterierne installeres i ikke-kompatible produkter, kan det medføre brand, kraftig varme, eksplosion eller udsivning af elektrolyt.
13. **Hvis maskinen ikke skal bruges i længere tid ad gangen, skal du fjerne batteriet fra maskinen.**
14. **Akkuen kan muligvis under og efter brug være varm, hvilket kan forårsage forbrændinger eller lavtemperaturforbrændinger. Vær påpasselig med håndtering af varme akkuer.**
15. **Rør ikke terminalen på maskinen straks efter brug, da den bliver varm nok til at forårsage forbrændinger.**
16. **Sørg for, at spåner, støv eller jord ikke sætter sig fast i akkuens terminaler, huller og riller.** Det kan forårsage opvarmning, antændelse, sprængning og funktionsfejl i maskinen eller akkuen, hvilket kan medføre forbrændinger eller personskade.
17. **Medmindre maskinen understøtter brugen i nærheden af elektriske højspændingsledninger, skal du ikke anvende akkuen i nærheden af elektriske højspændingsledninger.** Det kan muligvis medføre funktionsfejl på eller nedbrud af maskinen eller akkuen.
18. **Opbevar batteriet utilgængeligt for børn.**

## GEM DENNE BRUGSANVISNING.

**⚠FORSIGTIG:** Brug kun originale batterier fra Makita. Brug af uoriginale Makita-batterier, eller batterier som er blevet ændret, kan muligvis medføre brud på batteriet, hvilket kan forårsage brand, personskade eller beskadigelse. Det ugyldiggør også Makita-garantien for Makita-maskinen og opladeren.

## Tips til opnåelse af maksimal akku-levetid

1. **Oplad akkuen, inden den er helt afladet. Stop altid værktøjet, og oplad akkuen, hvis De bemærker, at værktøjeffekten er aftagende.**
2. **Genoplad aldrig en fuldt opladet akku. Overopladning vil afkorte akkuens levetid.**
3. **Oplad akkuen ved stuetemperatur ved 10 °C - 40 °C. Lad altid en varm akku få tid til at køle af, inden den oplades.**
4. **Når du ikke anvender akkuen, skal du fjerne den fra maskinen eller opladeren.**
5. **Oplad akkuen, hvis De ikke skal bruge den i længere tid (mere end seks måneder).**

## FUNKTIONSBESKRIVELSE

**⚠FORSIGTIG:** Sørg altid for, at apparatet er slukket, og at akkuerne er afmonteret, før du justerer eller kontrollerer funktionen på apparatet.

## Isætning eller fjernelse af akkuen

**⚠️ FORSIGTIG:** Sluk altid for apparatet før montering eller afmontering af akkuen.

**⚠️ FORSIGTIG:** Hold apparatet og akkuen fast ved montering eller afmontering af akkuen. Hvis du ikke holder fast i apparatet og akkuen, kan de glide ud af hænderne på dig og medføre beskadigelse af apparatet og akkuen eller personskaade.

For at montere akkuerne skal du justere tungen på akkuerne med rillerne i huset og skubbe dem på plads. Sæt dem hele vejen ind, indtil de låses på plads med et lille klik. Hvis du kan se de røde indikatorer som vist på figuren, er de ikke helt låst.

Hvis du vil afmontere akkuerne, skal du skubbe dem ud af batterihuset, som du trykker på og holder knapperne foran akkuerne nede.

► **Fig.1:** 1. Rød indikator 2. Knap 3. Højre akku 4. Venstre akku

**⚠️ FORSIGTIG:** Installer altid akkuen helt, indtil den røde indikator ikke kan ses. Hvis dette ikke gøres, kan den falde ud af apparatet ved et uheld og forårsage skade på dig selv eller andre omkring dig.

**⚠️ FORSIGTIG:** Brug ikke magt ved montering af akkuen. Hvis akkuen ikke glider på plads uden problemer, betyder det, at den ikke sættes i på korrekt vis.

Støvsugeren har dobbelte batteriåbninger. Du kan vælge med enten dobbelte batterier eller enkelt batteri efter dine behov.

### Med dobbeltbatterier

Kontinuerlig kørsel med to batterier giver længere driftstid og mere effektiv rengøring. Når det første batteri er ved at være tomt, skifter støvsugeren automatisk en strømkilde, så den fortsætter med at arbejde med det andet batteri.

**BEMÆRK:** Den højre batteriåbning (når den vender mod forsiden af støvsugeren) har forrang frem for den venstre batteriåbning. Den venstre batteriåbning identificeres kun som en strømkilde, enten når der ikke er monteret noget batteri i den højre batteriåbning, eller når batteriet i den højre batteriåbning bliver tomt.

**BEMÆRK:** Du kan fjerne batteriet fra den højre batteriåbning og genoplade det, efter at støvsugeren har skiftet strømkilde fra den højre batteriåbning til den venstre uden at afbryde driften. Genstart støvsugeren for at give prioritet tilbage til den højre batteriåbning efter montering af et genopladet batteri.

**BEMÆRK:** Når støvsugeren skifter strømkilde fra det første batteri til det andet, kan det kræve en midlertidigt standsning af driften, hvilket medfører et lille tab af sugning. Dette er ikke en funktionsfejl, så støvsugeren genopretter og genoptager driften umiddelbart efter pausen.

### Med et enkelt batteri

Der kræves kun ét batteri som strømkilde i enten den højre eller venstre batteriåbning. Støvsugeren bestemmer automatisk, hvilken batteriåbning der er

tilgængelig.

## Indikation af den resterende batteriladning

Tryk på kontrolknappen på akkuen for at få vist den resterende batteriladning. Indikatorlampen lyser i nogle sekunder.


► **Fig.2:** 1. Indikatorlamper 2. Kontrolknap

Indikatorlamper			Resterende ladning
Tændt	Slukket	Blinker	
■ ■ ■ ■			75% til 100%
■ ■ ■ □			50% til 75%
■ ■ □ □			25% til 50%
■ □ □ □			0% til 25%
▬ □ □ □			Genoplad batteriet.
■ ■ □ □			Der er muligvis fejl i batteriet.
□ □ ■ ■			


**BEMÆRK:** Afhængigt af brugsforholdene og den omgivende temperatur kan indikationen afvige en smule fra den faktiske ladning.




**BEMÆRK:** Den første indikatorlampe (længst mod venstre) vil blinke, når batteribeskyttelsessystemet aktiveres.

## Indikation af den resterende batteriladning på afbryderkassen


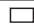


Den resterende batteriladning kan kontrolleres på afbryderkassen. Tryk på knappen  for at få vist den resterende batteriladning.

"L" og "R" på afbryderkassen svarer til henholdsvis venstre og højre akku. Følg anvisningen, når du udskifter akkuen.

► **Fig.3:** 1. Batteriindikator 2. Knap til batterikontrol/LED-lys 






Status på batteriindikator			Resterende batteriladning
Tændt	Slukket	Blinker	
			50% til 100%
			20% til 50%
			0% til 20%



Status på batteriindikator			Resterende batteriladning
 Tændt	 Slukket	 Blinker	
			Genoplad batteriet

## Beskyttelsessystem til apparatet og batteriet

Apparatet er udstyret med et beskyttelsessystem til apparatet og batteriet. Dette system afbryder automatisk strømmen til motoren for at forlænge apparatets og batteriets levetid. I denne situation lyser batteriindikatoren som vist i den følgende tabel.

Batteriindikator status			Status
 Tændt	 Slukket	 Blinker	
			Overbelastningsbeskyttelse (batteri) / Beskyttelse mod overophedning (batteri) / Overafloadningsbeskyttelse
			Beskyttelse mod overophedning (apparat)

Apparatet og LED-lampen stopper automatisk under drift, hvis apparatet eller batteriet udsættes for et af de følgende forhold:

### Overbelastningsbeskyttelse

Når apparatet / batteriet betjenes på en måde, der får det til at bruge unormalt meget strøm, stopper apparatet automatisk. I denne situation skal du slukke for apparatet og stoppe den anvendelse, der fik apparatet til at blive overbelastet. Tænd derefter for apparatet for at genstarte det.

### Beskyttelse mod overophedning

Når apparatet eller batteriet er overophedet, stopper apparatet automatisk. I denne situation skal du lade apparatet / batteriet køle af, før der tændes for apparatet igen.

### Beskyttelse mod afladning

Når batteriladningen bliver for lav, stopper apparatet automatisk. Hvis produktet ikke fungerer, selvom kontakterne betjenes, skal du tage batterierne ud af apparatet og lade batterierne op.

### Beskyttelse mod andre årsager

Beskyttelsessystemet er også designet til andre årsager, der kan beskadige apparatet og gør det muligt for apparatet at stoppe automatisk. Træf alle følgende foranstaltninger for at fjerne årsagerne, når apparatet er blevet midlertidigt standset eller stoppet i anvendelse.

1. Sluk for apparatet, og tænd det derefter igen for at genstarte.
2. Oplad batteriet/batterierne, eller udskift det/dem med genopladet/genopladede batteri/batterier.
3. Lad apparatet og batteriet/batterierne køle af.

Hvis der ikke kan findes nogen forbedring ved at genoprette beskyttelsessystemet, skal det lokale Makita-servicecenter kontaktes.

## Placering af afbryderkasse

Afbryderkassen kan fastgøres på begge sider af det nederste bælte. Arranger ledningen, så afbryderkassen placeres på den ønskede side. Før ledningen gennem rillen som vist for at forhindre, at ledningen bliver beskadiget.

► Fig.4: 1. Rille 2. Ledning

## Justeringsbælter

Stramningen af skulderstropperne, det øverste og nederste bælte kan justeres. Før først dine arme gennem skulderstropperne, og stram derefter det nederste og øverste bælte. Træk i enden af stroppen som vist for at stramme. Træk enden af spændet opad for at løsne.

### Nederste bælte

► Fig.5: 1. Strop 2. Spænd

### Skulderstropper

► Fig.6: 1. Strop 2. Spænd

### Øverste bælte



► Fig.7: 1. Strop 2. Spænd


## Bærekrog



Tag altid fat i bærekrogen ved håndtering af støvsugerkabinettet.

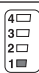


► Fig.8: 1. Bærekrog


## Afbryderbetjening

For at starte støvsugeren skal du blot trykke på knappen . For at slukke skal du trykke på knappen  igen.

Du kan ændre støvsugerens sugestykke i fire trin ved at trykke på knappen . Hver tryk på denne knap gentager tilstanden 1 til 4 i en cyklus.

► Fig.9: 1. Knap til ændring af sugestykke  2. TÆND/SLUK-knap 

Niveau	Indikation	Tilstand
1		Stilletilstand
2		Normal hastighedstilstand
3		Høj hastighedstilstand



Niveau	Indikation	Tilstand
4		Maks. hastighedstilstand

**BEMÆRK:** Du kan ændre sugekraften inden du tænder for støvsugeren.

**BEMÆRK:** Støvsugeren starter med at fungere med samme sugekraft som den der blev anvendt ved sidste operation.

**BEMÆRK:** Hvis du fjerner batteriet straks efter du har slukket for apparatet, mens motoren roterer, kan det være at støvsugeren ikke starter igen med den samme sugekraft som før den blev slukket.

## LED-lampe

LED-lampen er monteret i hovedet på afbryderkassen for at gøre brugen lettere på mørke steder. Tryk og hold -knappen nede for at tænde for lampen. Tryk på og hold knappen  nede igen for at slukke lampen.

► Fig.10

**⚠FORSIGTIG:** Kig ikke ind i lyset, eller se ikke direkte ind i lyskilden. Ret aldrig lyset ind i andre personers øjne.

**BEMÆRK:** LED-lampen slukkes automatisk, hvis støvsugeren ikke betjenes i mere end 10 minutter.

## Slangebånd

Slangebåndet kan bruges til at holde slangen eller det fleksible gummimundstykke.

Før slangebåndet gennem åbningen i støvsugerka-binettet for at fastgøre slangen til kabinettet. Du kan montere slangebåndet i begge sider.

► Fig.11: 1. Slangebånd 2. Åbning 3. Slange

Løkkerne på det nederste bælte kan bruges til at bære mundstykker som vist.

► Fig.12: 1. Løkke 2. Mundstykke

## Slangekrog

Når du holder pause i brugen, kan krogen på den bøjede rørsamling bruges til at hænge røret på den hængende del af det nederste bælte.

► Fig.13: 1. Krog 2. Nederste bælte 3. Hængende del

## SAMLING

**⚠FORSIGTIG:** Sørg altid for, at apparatet er slukket, og akkuen er fjernet, inden der udføres arbejde på apparatet.

## Montering af slange

Sæt slangemanchetten ind i støvsugerkabinettet, og drej den i retningen med uret.

► Fig.14: 1. Slangemanchet 2. Støvsuger kabinet

## Ved brug som støvsuger

### Påsætning af bøjet rørsamling

#### Ekstraudstyr

**BEMÆRK:** Du behøver ikke at følge denne fremgangsmåde, hvis din model leveres med den bøjede rørsamling monteret på slangen.

**BEMÆRK:** Der findes to typer af bøjet rørsamling. Den ene er til forlængerrør af glidtypen, og den anden er til forlængerrør af ringtypen. Hvis du forbereder den bøjede rørsamling, skal du vælge typen til den ønskede type forlængerrør.

Den bøjede rørsamling bruges til at slutte forlængerrøret eller mundstykket til støvsugning til dette produkt. Hvis du vil bruge dette produkt som støvsuger, skal du montere den bøjede rørsamling på slangen.

#### Til den bøjede rørsamling af skrue typen

Du monterer ved at skrue den forreste manchete af slangen og fastgøre muffen på den bøjede rørsamling på slangen.

Du afmonterer ved at løsne muffen på den bøjede rørsamling fra slangen.

► Fig.15: 1. Slange 2. Bøjet rørsamling 3. Muffe

#### Til den bøjede rørsamling af snap-on-typen

For at montere skal du sætte slangeenden ind i den bøjede rørsamling. Sørg for, at tapperne på slangeenden griber ind i hullerne på den bøjede rørsamling. Træk i den bøjede rørsamling for at afmontere den, mens du trykker på begge tapperne på slangeenden.

► Fig.16: 1. Slange 2. Tap 3. Hul 4. Bøjet rørsamling

### Montering af mundstykke og rør

#### Ekstraudstyr

**BEMÆRK:** Typen af det mundstykke og rør, der følger med produktet, varierer afhængigt af landet. I nogle lande medfølger røret og mundstykket ikke.

1. Drej mundstykket, og sæt det på forlængerrøret.

► Fig.17: 1. Forlængerrør 2. Flexibelt gummimundstykke 3. Hjørnemundstykke 4. T-formet mundstykke

Når du bruger et t-mundstykke til skift mellem gulv/gulvtæppe, kan du ændre tilstanden afhængigt af stedet.

— Gulvtilstand: velegnet til et glat sted såsom et hårdt gulv

— Gulvtæppetilstand: velegnet til et langhåret sted såsom et gulvtæppe eller et tæppe

► Fig.18: 1. Knap til tilstandsvalg 2. Gulvtilstand 3. Gulvtæppetilstand

**BEMÆRK:** Når du drejer mundstykket, mens det indsættes, kan mundstykket monteres sikkert på forlængerrøret.

**BEMÆRK:** For modellen med ø38 mm slange og forreste manchete 38 skal det medfølgende mundstykke fastgøres til det bøjede aluminiumsrør/ lige aluminiumsrør.

2. Følg nedenstående fremgangsmåde, afhængigt af

forlængerrørets type:

**BEMÆRK:** Forlængerrøret af glidetyper og forlængerrøret af ringtypen er ikke kompatible med hinanden. Hvis du vil udskifte forlængerrøret af glidetyper med forlængerrøret af ringtypen eller vice versa, skal du også udskifte den bøjede rørsamling.

#### For forlængerrør af glidetyper

Løft støvsugerkabinettet op på skuldrene, og indsæt forlængerrøret i den bøjede rørsamling, indtil det klikker på plads. For at afmontere det skal du trække forlængerrøret ud, idet du trykker på knappen.

► **Fig.19:** 1. Bøjet rørsamling 2. Knap  
3. Forlængerrør af glidetyper 4. Fleksibelt gummimundstykke

Rørets længde kan tilpasses.

Tryk på glideknappen, og juster rørets længde. Længden låses fast, når glideknappen slippes.

► **Fig.20:** 1. Glideknap

#### Forlængerrør af ringtypen

Løft støvsugerkabinettet op på skuldrene og drej og indsæt forlængerrøret i den bøjede rørsamling. For at frigøre det skal du dreje det og trække det ud.

► **Fig.21:** 1. Bøjet rørsamling 2. Forlængerrør af ringtypen 3. Fleksibelt gummimundstykke

**BEMÆRK:** Det fleksible gummimundstykke kan fastgøres direkte til den bøjede rørsamling uden røråls.

Rørets længde kan tilpasses.

Løsn ringen på røret, og juster rørets længde. Stram ringen til ved den ønskede længde.

► **Fig.22:** 1. Ring

#### Til det bøjede aluminiumsrør/lige aluminiumsrør

(kun til modellen med  $\varnothing 38$  mm slange og forreste manchete 38)

Løft støvsugerkabinettet op på skuldrene, og drej og indsæt røret i den forreste manchete. For at frakoble det skal du dreje det og trække det ud.

► **Fig.23:** 1. Forreste manchete 38 2. Bøjet aluminiumsrør 3. Lige aluminiumsrør 4. T-formet mundstykke

#### For de to lige aluminiumsrør

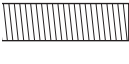
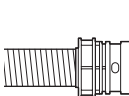
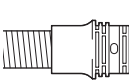
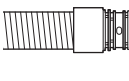
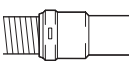
Løft støvsugerkabinettet op på skuldrene og drej og indsæt rørene. For at frigøre det skal du dreje det og trække det ud.

► **Fig.24:** 1. Bøjet rørsamling 2. Lige aluminiumsrør 1 3. Lige aluminiumsrør 2

## Tilslutning af maskinen

**BEMÆRK:** Hvis den bøjede rørsamling er monteret på slangen, skal du fjerne den først.

Hvis du vil slutte en maskine til støvsuger, skal du have den dedikerede slange og/eller ekstra dele. Afhængigt af støvsugermodellen skal du udskifte slangen og/eller forberede ekstra dele. Se følgende tabel vedrørende detaljer.

Diameter af medfølgende slange	Slangeendetype	Handling
$\varnothing 28$ mm	 uden del	Monter den forreste manchete.
	 med snap-on-del	Udskift slangeenden (snap-on-delen) med den forreste manchete. Slangeenden kan fjernes ved at dreje den i retningen mod uret.
$\varnothing 32$ mm	 med snap-on-del	Udskift slangen med den til støvudtrækning ( $\varnothing 28$ mm, med forreste manchete).
$\varnothing 38$ mm	 med snap-on-del	Udskift slangen med den til støvudtrækning ( $\varnothing 28$ mm, med forreste manchete).
	 med forreste manchete 38	Monter samlingen 22-38 eller den forreste manchete 24.

**BEMÆRK:** Anvend altid en passende forreste manchete. Ved brug af forreste manchete 24 monteres den på den forreste manchete 22, som er koblet på slangen.

► **Fig.25:** 1. Forreste manchete 22 2. Forreste manchete 24

## Ved brug af $\varnothing 28$ mm støvudtrækningslange

1. Monter den forreste manchete på slangen til støvudtrækning. Ved tilkobling af den forreste manchete skal det sikres, at den er skruet forsvarligt på slangen.

2. Kobl den forreste manchete på maskinens udtrækningsudgang.

► **Fig.26:** 1. Forreste manchete 2. Udtrækningsudgang 3. Slange

Den forreste manchete kan afmonteres ved at dreje den i retningen mod uret, mens der holdes i slangen.

## Ved brug af ø38 mm slange med forreste manchete 38

1. Drej og indsæt samlingen eller den forreste manchete i indløbsdelen på slangen, afhængigt af den maskine, du vil tilslutte.

2. Kobl den forreste manchete på maskinens udtrækningsudgang.

► **Fig.27:** 1. Samling 2. Forreste manchete 3. Udtrækningsudgang 4. Slange

Følg monteringsproceduren i omvendt rækkefølge for at fjerne samlingen og den forreste manchete.

## Montering af filterpose/støvpose

### Ekstraudstyr

**⚠FORSIGTIG:** Anvend ikke en beskadiget filterpose. Anvend altid støvsugeren med filterposen monteret korrekt. Ellers kan opsuget støv eller partikler blive blæst ud af støvsugeren, hvilket kan medføre åndedrætslidelser hos operatøren.

Monter enten støvposen eller filterposen, før støvsugeren anvendes.

- Støvposen kan genbruges mange gange ved at tømme den.
- Filterposen er en type til bortskaffelse. Smid hele filterposen ud uden at tømme den, når den er fuld.

**BEMÆRKNING:** Erstat filterposen med en ny, når den er fuld. Tøm støvposen, når den er fuld. Fortsat brug med fuld filterpose/støvpose medfører reduceret sugestyrke.

**BEMÆRKNING:** Sådan forhindres det, at der kommer støv ind i motoren:

- Sørg for, at enten filterposen/støvposen er monteret før brugen.
- Anvend ikke en beskadiget eller flået pose.

Ellers kan motoren gå i stykker.

**BEMÆRKNING:** Fold ikke papret ved dens åbning, når filterposen/støvposen monteres.

**BEMÆRKNING:** Filterposen/støvposen til støvsugeren er en vigtig komponent for at opretholde apparatets ydelse. Brug af uoriginal filterpose/støvpose kan muligvis medføre rugudvikling eller antændelse.

**BEMÆRK:** Når filterposen/støvposen ikke er installeret i støvsugeren, kan frontdækslet ikke lukkes helt tæt.

► **Fig.28**

1. Lås armen op, og åbn frontdækslet.

► **Fig.29:** 1. Håndtag 2. Frontdæksel

2. Sæt filterposen ind i slidserne på den øverste side af rummet som vist.

► **Fig.30:** 1. Slids 2. Filterpose

Ved brug af støvposen skal du indsætte randen på støvposen i slidserne.

► **Fig.31:** 1. Slids 2. Rand 3. Støvpose

3. Juster hullet i filterposen i forhold til

slangemanchetten, og skub papdelen mod enden. Sørg for, at gummiringen på filterposen løber over slangemanchettens rand.

► **Fig.32:** 1. Gummiring på filterposen 2. Rand på slangemanchetten 3. Papdel af filterposen 4. Slangemanchete

4. Lås frontdækslet forsvarligt.

**⚠FORSIGTIG:** Pas på ikke at få fingrene i klemme, når du hæfter klinken fast, og når du lukker frontdækslet.

## Dække til bæreselen

### Ekstraudstyr

Når du bruger dækket til bæreselen, skal du følge nedenstående procedure for at fastgøre det.

**BEMÆRK:** Når du monterer dækket til bæreselen, skal du undlade at forveksle forsiden og bagsiden af dækket til bæreselen.

**BEMÆRK:** Dækket til bæreselen kan vaskes. Følg vaskeanvisningerne på mærket.

► **Fig.33**

1. Spred dækket til bæreselen ud over selen.

► **Fig.34**

2. Fastgør bæreselens skulderstropper med velcro-lukningerne på dækket til bæreselen. Hægt båndet til dækket til bæreselen på bæreselen.

► **Fig.35**

## ANVENDELSE

**⚠ADVARSEL:** Operatøren skal være tilstrækkeligt instrueret i brugen af støvsugeren.




**⚠ADVARSEL:** Denne støvsuger er ikke egnet til opugning af farligt støv.

**⚠FORSIGTIG:** Denne støvsuger er kun til tørt brug.

**⚠FORSIGTIG:** Vær opmærksom på støvsugeren på din ryg under brugen. Du kan miste balancen, hvis støvsugerkabinettet støder mod en væg, eller slangen griber fast i en forhindring.

1. Løft støvsugerkabinettet op på skuldrene, og fastgør det øverste og nederste bælte. Juster stramningen efter behov.

► **Fig.36**

2. Tryk på -knappen for at starte støvsugningen. Hvis du vil ændre sugestyrken, skal du trykke på -knappen, indtil den ønskede sugestyrke er valgt. Tryk på -knappen for at stoppe.

► **Fig.37**

Hægt afbryderkassen på D-ringen eller den hængende del af det nederste bælte under brugen. Krogen kan skræddersys for at lyse fremad, når den hæftes på den hængende del.

► **Fig.38:** 1. D-ring 2. Hængende del

3. Udskift filterposen, når den bliver fuld. Åbn frontdækslet, og tag filterposen ud. Træk i snoren på siden af åbningen for at lukke filterposen, og bortskaf hele filterposen.

► **Fig.39:** 1. Snor

Ved brug af en støvpose skal du tage støvposen ud og bortskaffe støvet ved at frigøre klinken.

► **Fig.40:** 1. Klinken

**BEMÆRKNING:** Undlad at sætte filterposen/støvposen eller andre tunge genstande på frontdækslet. Apparatet kan falde ned.

**BEMÆRKNING:** Kontrollér regelmæssigt, om filterposen er fuld eller ej. Fortsat brug med fuld filterpose medfører reduceret sugestyrke.

**BEMÆRKNING:** Anvend ikke en brugt filterpose. Filterposen er udviklet til brug en gang. Gentagen brug af filterpose kan medføre tilstopning af filteret og forårsage beskadigelse af støvsugeren. Hvis du vil bruge posen flere gange, skal du bruge en støvpose.

## VEDLIGEHOLDELSE

**⚠FORSIGTIG:** Sørg altid for, at apparatet er slukket, og at akkuen er fjernet, før du forsøger at udføre eftersyn eller vedligeholdelse.

**BEMÆRKNING:** Anvend aldrig benzin, rensebenzin, fortynder, alkohol og lignende. Det kan medføre misfarvning, deformation eller revner.

For at opretholde produktets SIKKERHED og PALIDELIGHED må reparation, vedligeholdelse eller justering kun udføres af et autoriseret Makita servicecenter eller fabrikkerservicecenter med anvendelse af Makita reservedele.

## Rengøring af HEPA-filteret

**⚠FORSIGTIG:** Undlad at bruge støvsugeren uden et filter eller at fortsætte med at bruge et snavset eller beskadiget filter. Opsøgt støv eller partikler kan blive blæst ud af støvsugeren, hvilket kan medføre åndedrætslidelser hos operatøren.

**BEMÆRKNING:** Rengør filteret regelmæssigt for at opretholde optimal sugestyrke og ren udblæsning. Udskift filteret med et nyt, hvis der ikke kan opnås tilstrækkelig sugestyrke selv efter rengøring.

**BEMÆRKNING:** Undlad at bruge følgende værktøjer og lignende genstande til rengøring for at undgå beskadigelse af filteret:

- Støvblæser
- Højtryksrensere
- Værktøj fremstillet af hårde materialer såsom en trådbørste

1. Åbn frontdækslet, og tag filterposen/støvposen ud. Løsn krogen på filteret, og tag det ud af støvsugerkabinettet.

► **Fig.41:** 1. Krog 2. HEPA-filter

2. Bank støvet af filteret. Filteret kan vaskes med vand. Skyl støv og partikler bort fra filteret hver eller hver 2. måned. Lad derefter filteret tørre helt på et skyggefuldt og velventileret sted for at undgå ubehagelige lugte eller fejlfunktioner.

3. For at installere filteret skal du sætte siden uden krogene ind i rillen og derefter trykke filteret ind, indtil krogene fastgøres med et klik.

► **Fig.42:** 1. Rille 2. HEPA-filter 3. Krog

## Rengøring af svampefilteret

**⚠FORSIGTIG:** Efter rengøring af svampefiltrene skal du sørge for at montere dem på støvsugeren. Hvis de vaskes i vand, skal de tørres grundigt op, før de monteres. Utilstrækkeligt tørrede svampefiltre kan forkorte motorens levetid.

Svampefiltre under HEPA-filteret forhindrer støv i at trænge ind i motoren.

1. Fjern svampefiltrene fra støvsugeren.

► **Fig.43:** 1. Svampefilter

2. Aftør og ryst støvet af svampefiltrene med hånden. Når svampefiltrene er tilstoppede, skal de vaskes i sæbevand.

► **Fig.44**

3. Montér svampefiltrene i deres oprindelige position.

## Rengøring af støvposen

Rengør regelmæssigt støvposen med sæbe og vand. Vend indersiden ud på støvposen, og fjern klæbrigt støv. Vask den let i hånden, og rens grundigt med vand. Tør den helt, før den sættes i støvsugeren.

► **Fig.45**

**BEMÆRKNING:** En våd støvpose reducerer støvsugerens ydelse og motorens levetid.

## Rengøring af tilstopningen

Ved rengøring af tilstopningen skal du afmontere slangen eller forlængerrøret eller den bøjede rørsamling for at se indeni.

Se afsnittet om påsætning af bøjet rørsamling.

## Rengøring af rummet til filterposen/støvposen

Dette apparat er udstyret med et system til støvafbankning. Når du går, mens du bærer støvsugeren, vibrerer fjedrene under pladen den og ryster støvet af filterposen/støvposen.

Når du rengør rummet til filterposen/støvposen, skal du afmontere og tørre pladen indvendigt.

► **Fig.46:** 1. Plade

## Afmontering af pladen

1. Afmonter HEPA-filretet. Se afsnittet om rengøring af HEPA-filretet angående hvordan det fjernes.
2. Tryk ned på pladen og skub den til venstre, indtil pladen rører ved væggen.
3. Løft den højre side af pladen op og tag den ud.  
► **Fig.47:** 1. Plade

Pladen er understøttet af tre fjedre. Hvis fjedrene falder af fremspringene, skal de monteres igen som vist.

- **Fig.48:** 1. Lang fjeder 2. Kort fjeder 3. Fremspring

**BEMÆRK:** Monter fjedrene ordentligt, så fjedrene rører ved roden af fremspringene.

## Montering af pladen

1. Sæt den lige side af pladen ind i spærhagerne i den nederste venstre side i rummet.
2. Put den højre side af pladen på plads.  
► **Fig.49:** 1. Plade 2. Lige side 3. Spærhage

## HVIRVELTILBEHØR

### Ekstraudstyr

**BEMÆRK:** Når du bruger hvirveltilbehøret sammen med dette apparat, er det også nødvendigt at bruge det bøjede rør.

- **Fig.50:** 1. Hvirveltilbehør

### Om hvirveltilbehøret

Brug af støvsugeren med hvirveltilbehøret monteret reducerer mængden af støv, som trænger ind i støvposen, hvilket hjælper med til at forhindre sugekraften i at svækkes. Endvidere er rengøring efter brug også nem.

**⚠FORSIGTIG:** Sørg altid for at maskinen er slukket, og at akkuen er taget ud, før der udføres noget arbejde på maskinen. Hvis akkuen forbliver isat, kan støvsugeren muligvis starte uventet og medføre tilskadekomst.

**⚠FORSIGTIG:** Rengør trådsien i hvirveltilbehøret og støvposen i støvsugerenheden, når de bliver tilstoppet. Fortsat brug i den tilstoppede tilstand kan muligvis resultere i ophedning eller røg.

**BEMÆRKNING:** Når hvirveltilbehøret er monteret, må du ikke bruge hvirveltilbehøret i den vandrette eller opadvendte tilstand. Dette kan medføre, at netfilteret bliver tilstoppet.

**BEMÆRKNING:** Brug altid støvsugeren med støvposen monteret, selv når du anvender hvirveltilbehøret. Brug af støvsugeren uden støvposen monteret kan muligvis resultere i en motorfunktionsfejl.

**BEMÆRK:** Kontroller, at hvirveltilbehøret, støvsugeren og det lige rør er ordentligt låst inden brug.

**BEMÆRK:** Tøm støvbakken i hvirveltilbehøret og støvposen i støvsugeren, når der er ophobet støv. Fortsat brug vil resultere i svækket sugekraft.

**BEMÆRK:** Du kan bruge hvirveltilbehøret med eller uden låsefunktion.

**BEMÆRK:** Se afsnittet "Ved brug som støvsuger" for at montere eller afmontere hvirveltilbehøret.

## Bortskaffelse af støv

Når der er ophobet støv op til fuld-linjen i støvbakken, skal du følge proceduren nedenfor og bortskaffe støvet.

1. Hold godt fast i støvbakken, tryk og hold på de to knapper og fjern støvbakken.  
► **Fig.51:** 1. Fuld-linje 2. Støvbakke 3. Knap (to steder) 4. Trådsi
2. Bortskaf støvet inde i støvbakken og fjern alt støv og pulver, som sidder fast på overfladen af trådsien.
3. Sæt støvbakken helt ind indtil de to knapper låses med et klik.  
► **Fig.52:** 1. Støvbakke 2. Knap (to steder)

**BEMÆRK:** Kontroller, at hvirveltilbehøret, støvsugeren og det lige rør er ordentligt låst inden genstart af betjening.

**BEMÆRK:** Hvis sugekraften ikke genoprettes, selv efter bortskaffelse af støvet og rengøring af trådsien, skal du kontrollere, om der er ophobet støv i støvposen i støvsugeren, eller der er opstået tilstopning.

## Rengøring

Når støvbakken bliver beskidt, eller trådsien er tilstoppet, skal du fjerne og vaske dem med vand. (Se "Bortskaffelse af støv" angående fjernelsesproceduren.)

Tør delene grundigt inden genmontering og ibrugtagning.

- **Fig.53:** 1. Støvbakke 2. Trådsi

Når trådsien bliver meget beskidt, skal du rengøre den vha. de følgende procedurer.

1. Drej trådsien mod uret og fjern den, mens krogene ikke er låst.  
► **Fig.54:** 1. Trådsi 2. Krog
2. Fjern støvet på trådsien og vask den derefter med vand. Tør den omhyggeligt efter dette.
3. Sæt trådsien ind i basen mens krogene er rettet ind med åbningen. Drej trådsien med uret indtil krogene låses med et klik. Sørg for, at trådsien er monteret forsvarligt.  
► **Fig.55:** 1. Trådsi 2. Krog 3. Åbning

# EKSTRAUDSTYR

**⚠ FORSIGTIG:** Det følgende tilbehør og ekstraudstyr anbefales til brug med dit Makita-produkt, der er beskrevet i denne brugsanvisning. Brugen af andet tilbehør eller ekstraudstyr kan medføre risiko for personskade. Brug kun ekstraudstyr eller tilbehør til det formål, det er beregnet til.

Noget tilbehør kan muligvis ikke installeres i overensstemmelse med kombinationen af dele.

Hvis De behøver hjælp ved valg af tilbehør eller ønsker yderligere informationer, bedes De kontakte Deres lokale Makita servicecenter.

- Slange (til støvsugertype)
- Slange (til støvudtrækningstype)
- Forlængerrør
- Fleksibelt gummimundstykke
- T-formet mundstykke
- Møbelmundstykke
- Hjørnemundstykke
- Børste til hylde
- Rund børste
- Bøjet rørsamling
- Filterpose
- Støvpose
- Forreste manchete
- HEPA-filter
- Rør
- Dække til bæresele
- Hvirveltilbehør
- Original Makita-akku og oplader

**BEMÆRK:** Nogle ting på denne liste kan være inkluderet i værktøjspakken som standardtilbehør. Det kan være forskellige fra land til land.

## ΠΡΟΕΙΔΟΠΟΙΗΣΗ

- Το μηχάνημα αυτό δεν προορίζεται για χρήση από άτομα, συμπεριλαμβανομένων των παιδιών, με μειωμένες σωματικές, αισθητήριες ή διανοητικές ικανότητες, ή από άτομα που δεν έχουν πείρα και γνώσεις.
- Τα παιδιά θα πρέπει να επιτηρούνται για να εξασφαλιστεί ότι δεν παίζουν με τη μηχανή.
- Για την αναφορά του τύπου της μπαταρίας, δείτε το κεφάλαιο «ΠΡΟΔΙΑΓΡΑΦΕΣ».
- Για τον τρόπο αφαίρεσης ή τοποθέτησης της μπαταρίας, δείτε την ενότητα «Τοποθέτηση ή αφαίρεση της κασέτας μπαταριών».
- Όταν απορρίπτετε την κασέτα μπαταριών, αφαιρέστε την από το εργαλείο και διαθέστε την σε ένα ασφαλές μέρος. Τηρήστε τους τοπικούς κανονισμούς που σχετίζονται με τη διάθεση της μπαταρίας.
- Αν δεν χρησιμοποιείτε το εργαλείο για μεγάλο χρονικό διάστημα, πρέπει να βγάλετε την μπαταρία από το εργαλείο.
- Μη βραχυκυκλώνετε την κασέτα μπαταριών.
- Για τις κατάλληλες λεπτομέρειες των προφυλάξεων κατά τη διάρκεια της συντήρησης από τον χρήστη, δείτε το κεφάλαιο «ΣΥΝΤΗΡΗΣΗ».

## ΠΡΟΔΙΑΓΡΑΦΕΣ

Μοντέλο:		VC011G
Χωρητικότητα	Σακούλα φίλτρου	6,0 L
	Σακούλα σκόνης	5,5 L
Μέγιστος όγκος αέρα (Με εύκαμπτο σωλήνα $\varnothing 32$ mm x 1,0 m)		2,4 m <sup>3</sup> /min
Υποπίεση		20 kPa
Διαστάσεις (Μ x Π x Υ) (εκτός από την εξάρτηση, με το BL4050F)		336 mm x 185 mm x 543 mm
Ονομαστική τάση		D.C. 36 V - 40 V μέγ.
Καθαρό βάρος		6,4 - 9,5 kg

- Λόγω του συνεχιζόμενου προγράμματος έρευνας και ανάπτυξης, οι προδιαγραφές αυτές υπόκεινται σε αλλαγές χωρίς προειδοποίηση.
- Οι προδιαγραφές μπορεί να διαφέρουν ανάλογα με τη χώρα.
- Το βάρος δεν περιλαμβάνει εξαρτήματα αλλά την(ις) κασέτα(ες) μπαταριών. Το μικρότερο και μεγαλύτερο βάρος των συνδυασμών της συσκευής και της(ων) κασέτας(ών) μπαταριών απεικονίζονται στον πίνακα.
- Το μήκος του παρεχόμενου εύκαμπτου σωλήνα διαφέρει ανάλογα με τη χώρα.

## Ισχύουσα κασέτα μπαταριών και φορτιστής

Κασέτα μπαταρίας	BL4020 / BL4025 / BL4040 / BL4040F / BL4050F / BL4080F
Φορτιστής	DC40RA / DC40RB / DC40RC / DC40WA

- Ορισμένες από τις κασέτες και τους φορτιστές μπαταριών που αναγράφονται παραπάνω ίσως να μην είναι διαθέσιμοι, ανάλογα με την τοποθεσία κατοικίας σας.

**⚠ ΠΡΟΕΙΔΟΠΟΙΗΣΗ:** Να χρησιμοποιείτε μόνο τις κασέτες μπαταριών και τους φορτιστές που παρατίθενται ανωτέρω. Η χρήση οποιασδήποτε άλλης κασέτας μπαταριών ή φορτιστή μπορεί να προκαλέσει τραυματισμό ή/και πυρκαγιά.

**⚠ ΠΡΟΕΙΔΟΠΟΙΗΣΗ:** Μην χρησιμοποιείτε ηλεκτρική παροχή με καλώδιο, όπως προσαρμογέα μπαταριών ή φορητή ηλεκτρική τροφοδότηση, με αυτή τη συσκευή. Το καλώδιο μιας τέτοιας ηλεκτρικής παροχής μπορεί να δυσκολέψει τη λειτουργία και να έχει ως αποτέλεσμα ατομικό τραυματισμό.

## Σύμβολα

Παρακάτω παρουσιάζονται τα σύμβολα που μπορούν να χρησιμοποιηθούν για τον εξοπλισμό. Βεβαιωθείτε ότι

κατανοείτε τη σημασία τους πριν από τη χρήση.

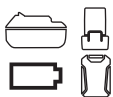


Διαβάστε το εγχειρίδιο οδηγιών.





Απαιτούνται ιδιαίτερη φροντίδα και προσοχή.



Μια αντιπροσωπευτική μπαταρία που ισχύει για αυτό το προϊόν.



Μόνο για τις χώρες της ΕΕ  
Λόγω της παρουσίας των επικίνδυνων συστατικών μερών στον εξοπλισμό, ο απόβλητος ηλεκτρικός και ηλεκτρονικός εξοπλισμός, οι συσσωρευτές και οι μπαταρίες μπορεί να έχουν αρνητική επίδραση στο περιβάλλον και την ανθρώπινη υγεία. Μην απορρίπτετε τις ηλεκτρικές και ηλεκτρονικές συσκευές ή μπαταρίες μαζί με τα οικιακά απορρίμματα!

Σύμφωνα με την Ευρωπαϊκή Οδηγία για τον απόβλητο ηλεκτρικό και ηλεκτρονικό εξοπλισμό και για τους συσσωρευτές και μπαταρίες και τους απόβλητους συσσωρευτές και μπαταρίες, καθώς και την προσαρμογή τους στην εθνική νομοθεσία, ο απόβλητος ηλεκτρικός εξοπλισμός, οι μπαταρίες και οι συσσωρευτές θα πρέπει να αποθηκεύονται ξεχωριστά και να παραδίδονται σε ξεχωριστό σημείο συλλογής για δημοτικά απόβλητα, το οποίο λειτουργεί σύμφωνα με τους κανονισμούς για την προστασία του περιβάλλοντος. Αυτό υποδεικνύεται από το σύμβολο του διαγραμμένου τροχοφόρου κάδου που βρίσκεται αναρτημένο επάνω στον εξοπλισμό.

## Προοριζόμενη χρήση

Η συσκευή προορίζεται για τη συλλογή ξηρής σκόνης. Η συσκευή είναι κατάλληλη για εμπορική χρήση, για παράδειγμα, σε ξενοδοχεία, σχολεία, νοσοκομεία, εργοστάσια, καταστήματα, γραφεία και επιχειρήσεις ενοικίασης.

## Θόρυβος

Το τυπικό Α επίπεδο καταμετρημένου θορύβου καθορίζεται σύμφωνα με το EN60335-2-69: Στάθμη ηχητικής πίεσης ( $L_{PA}$ ): 70 dB (A) ή λιγότερο Αβεβαιότητα (K): 2,5 dB (A)

Η ένταση θορύβου υπό συνθήκες εργασίας μπορεί να υπερβεί τα 80 dB (A).

**ΠΑΡΑΤΗΡΗΣΗ:** Η δηλωμένη τιμή(ές) εκπομπής θορύβου έχει μετρηθεί σύμφωνα με την πρότυπη μέθοδο δοκιμής και μπορεί να χρησιμοποιηθεί για τη σύγκριση ενός εργαλείου με κάποιο άλλο.

**ΠΑΡΑΤΗΡΗΣΗ:** Η δηλωμένη τιμή(ές) εκπομπής θορύβου μπορεί να χρησιμοποιηθεί και στην προκαταρκτική αξιολόγηση της έκθεσης.

**▲ΠΡΟΕΙΔΟΠΟΙΗΣΗ:** Να φοράτε ωτοασπίδες.

**▲ΠΡΟΕΙΔΟΠΟΙΗΣΗ:** Η εκπομπή θορύβου κατά τη χρήση του ηλεκτρικού εργαλείου σε πραγματικές συνθήκες μπορεί να διαφέρει από τη δηλωμένη τιμή(ές) ανάλογα με τους τρόπους χρήσης του εργαλείου, ιδιαίτερα το είδος του τεμαχίου εργασίας που υπόκειται επεξεργασία.

**▲ΠΡΟΕΙΔΟΠΟΙΗΣΗ:** Φροντίστε να λάβετε τα κατάλληλα μέτρα προστασίας του χειριστή βάσει ενός υπολογισμού της έκθεσης σε πραγματικές συνθήκες χρήσης (λαμβάνοντας υπόψη όλες τις συνιστώσες του κύκλου λειτουργίας όπως τους χρόνους που το εργαλείο είναι εκτός λειτουργίας και όταν βρίσκεται σε αδρανή λειτουργία πέραν του χρόνου ενεργοποίησης).

## Κραδασμός

Η ολική τιμή δόνησης (άθροισμα τρι-αξονικού διανύσματος) καθορίζεται σύμφωνα με το EN60335-2-69: Είδος εργασίας: λειτουργία χωρίς φορτίο Εκπομπή δόνησης ( $a_{hh}$ ): 2,5  $m/s^2$  ή λιγότερο Αβεβαιότητα (K): 1,5  $m/s^2$

**ΠΑΡΑΤΗΡΗΣΗ:** Η δηλωμένη τιμή(ές) συνολικών κραδασμών έχει μετρηθεί σύμφωνα με την πρότυπη μέθοδο δοκιμής και μπορεί να χρησιμοποιηθεί για τη σύγκριση ενός εργαλείου με κάποιο άλλο.

**ΠΑΡΑΤΗΡΗΣΗ:** Η δηλωμένη τιμή(ές) συνολικών κραδασμών μπορεί να χρησιμοποιηθεί και στην προκαταρκτική αξιολόγηση της έκθεσης.

**▲ΠΡΟΕΙΔΟΠΟΙΗΣΗ:** Η εκπομπή κραδασμών κατά τη χρήση του ηλεκτρικού εργαλείου σε πραγματικές συνθήκες μπορεί να διαφέρει από τη δηλωμένη τιμή(ές) εκπομπής ανάλογα με τους τρόπους χρήσης του εργαλείου, ιδιαίτερα το είδος του τεμαχίου εργασίας που υπόκειται επεξεργασία.

**▲ΠΡΟΕΙΔΟΠΟΙΗΣΗ:** Φροντίστε να λάβετε τα κατάλληλα μέτρα προστασίας του χειριστή βάσει ενός υπολογισμού της έκθεσης σε πραγματικές συνθήκες χρήσης (λαμβάνοντας υπόψη όλες τις συνιστώσες του κύκλου λειτουργίας όπως τους χρόνους που το εργαλείο είναι εκτός λειτουργίας και όταν βρίσκεται σε αδρανή λειτουργία πέραν του χρόνου ενεργοποίησης).

## Δήλωση Συμμόρφωσης

*Μόνο για χώρες της Ευρώπης*

Οι Δηλώσεις Συμμόρφωσης περιλαμβάνονται στο Παράρτημα Α στο παρόν εγχειρίδιο οδηγιών.

# ΠΡΟΕΙΔΟΠΟΙΗΣΕΙΣ ΑΣΦΑΛΕΙΑΣ

## Προειδοποιήσεις ασφάλειας για τη φορητή μηχανή αναρρόφησης

**▲ ΠΡΟΕΙΔΟΠΟΙΗΣΗ: ΣΗΜΑΝΤΙΚΟΙ ΔΙΑΒΑΣΤΕ ΠΡΟΣΕΚΤΙΚΑ** όλες τις προειδοποιήσεις για την ασφάλεια και όλες τις οδηγίες ΠΡΙΝ ΑΠΟ ΤΗ ΧΡΗΣΗ. Η μη τήρηση των προειδοποιήσεων και οδηγιών μπορεί να καταλήξει σε ηλεκτροπληξία, πυρκαγιά ή/και σοβαρό τραυματισμό.

1. Πριν από τη χρήση, βεβαιωθείτε ότι αυτή η μηχανή θα χρησιμοποιηθεί από άτομα στα οποία έχουν δοθεί επαρκείς οδηγίες για τη χρήση αυτής της μηχανής.
2. Μη χρησιμοποιείτε τη μηχανή χωρίς το φίλτρο. Αντικαταστήστε αμέσως ένα φίλτρο που έχει υποστεί ζημιά.
3. Μην επιχειρήσετε να συλλέξετε εύφλεκτα υλικά, πυροτεχνήματα, αναμμένα τσιγάρα, καυτές στάχτες, ζεστά μεταλλικά θραύσματα, αιχμηρά αντικείμενα όπως ζυραφάκια, βελόνες, σπασμένο γυαλί ή παρόμοια αντικείμενα.
4. ΜΗ ΧΡΗΣΙΜΟΠΟΙΕΙΤΕ ΠΟΤΕ ΤΗ ΜΗΧΑΝΗ ΚΟΝΤΑ ΣΕ ΒΕΝΖΙΝΗ, ΑΕΡΙΑ, ΜΠΟΓΙΑ, ΚΟΛΛΕΣ Ή ΑΛΛΕΣ ΨΗΛΑ ΕΚΡΗΚΤΙΚΕΣ ΟΥΣΙΕΣ. Ο διακόπτης παράγει σπινθήρες όταν ενεργοποιείται και απενεργοποιείται. Το ίδιο και ο μετατροπέας μοτέρ κατά τη διάρκεια της λειτουργίας. Μπορεί να προκύψει επικίνδυνη έκρηξη.
5. Αυτή η σκούπα δεν είναι κατάλληλη για τη συλλογή επικίνδυνης σκόνης.
6. Μην αναρροφάτε ποτέ τοξικά, καρκινογόνα, καύσιμα ή άλλα επικίνδυνα υλικά, όπως αμίαντο, αρσενικό, βάριο, βηρύλλιο, μόλυβδο, εντομοκτόνα ή άλλα υλικά που αποτελούν κίνδυνο για την υγεία.
7. Μη χρησιμοποιείτε ποτέ τη μηχανή σε εξωτερικό χώρο στη βροχή.
8. Για τη Φιλανδία, αυτό το μηχάνημα δεν πρέπει να χρησιμοποιηθεί σε εξωτερικούς χώρους σε χαμηλή θερμοκρασία.
9. Μη χρησιμοποιείτε κοντά σε πηγές θερμότητας (φούρνου, κτλ.).
10. Μη φράσσετε τα ανοίγματα ψύξης. Αυτά τα ανοίγματα επιτρέπουν την ψύξη του μοτέρ. Θα πρέπει να αποφευχθεί προσεκτικά το φράξιμο, διαφορετικά το μοτέρ θα καεί λόγω έλλειψης αερισμού.
11. Να στέκεστε πάντα σταθερά και ισορροπημένα.
12. Μη διπλώνετε, μην τραβάτε και μην πατάτε τον εύκαμπο σωλήνα.
13. Διακόψτε αμέσως τη λειτουργία της μηχανής αν παρατηρήσετε ανεπαρκή απόδοση ή οτιδήποτε ασυνήθιστο κατά τη λειτουργία.
14. ΑΠΟΣΥΝΔΕΣΤΕ ΤΙΣ ΜΠΑΤΑΡΙΕΣ. Όταν δεν χρησιμοποιείται, πριν από το σέρβις και όταν αλλάζετε αξεσουάρ.
15. Καθαρίστε και εκτελέστε σέρβις στη μηχανή αμέσως μετά από κάθε χρήση για να διατηρείται σε άριστη λειτουργική κατάσταση.
16. ΔΙΑΤΗΡΕΙΤΕ ΤΗ ΜΗΧΑΝΗ ΜΕ ΠΡΟΣΟΧΗ. Να διατηρείτε τη μηχανή καθαρή για την καλύτερη και ασφαλέστερη απόδοση. Να ακολουθείτε τις οδηγίες για την αλλαγή των αξεσουάρ. Να διατηρείτε τις λαβές στεγνές, καθαρές, χωρίς λάδι και γράσο.
17. ΝΑ ΕΛΕΓΧΕΤΕ ΤΑ ΜΕΡΗ ΜΕ ΖΗΜΙΑ. Πριν από την περαιτέρω χρήση της μηχανής, θα πρέπει να ελέγχετε προσεκτικά τυχόν προστατευτικά εξαρτήματα ή άλλα εξάρτημα με ζημιά για να καθορίσετε αν θα λειτουργήσουν σωστά και αν θα πραγματοποιήσουν την προοριζόμενη λειτουργία τους. Ελέγξτε την ευθυγράμμιση των κινούμενων μερών, την ελεύθερη κίνηση των κινούμενων μερών, το τυχόν σπάσιμο εξαρτημάτων, τη στρέωση και οποιεσδήποτε άλλες συνθήκες που μπορεί να επηρεάσουν τη λειτουργία του εργαλείου. Ένα προστατευτικό ή άλλο εξάρτημα με ζημιά θα πρέπει να επισκευαστεί ή να αντικατασταθεί σωστά σε εξουσιοδοτημένο κέντρο σέρβις εκτός αν δηλώνεται διαφορετικά στο παρόν εγχειρίδιο οδηγιών. Οι ελαττωματικοί διακόπτες πρέπει να αντικαθίστανται σε εξουσιοδοτημένο κέντρο σέρβις. Μη χρησιμοποιείτε τη μηχανή αν ο διακόπτης δεν την ενεργοποιεί και δεν την απενεργοποιεί.
18. ΑΝΤΑΛΛΑΚΤΙΚΑ. Κατά το σέρβις, να χρησιμοποιείτε μόνο γνήσια ανταλλακτικά.
19. Όταν δεν χρησιμοποιείται, να αποθηκεύετε τη σκούπα σε εσωτερικό χώρο.
20. Να προσέχετε τη μηχανή. Ο σκληρός χειρισμός μπορεί να προκαλέσει το σπάσιμο ακόμη και της πιο καλοκατασκευασμένης μηχανής.
21. Μην επιχειρήσετε να καθαρίσετε το εξωτερικό ή το εσωτερικό με βενζίνη, νέφτι ή καθαριστικές χημικές ουσίες. Μπορεί να προκληθούν ρωγμές και αποχρωματισμός.
22. Μη χρησιμοποιείτε τη μηχανή σε κλειστό χώρο στον οποίο απελευθερώνονται εύφλεκτοι, εκρηκτικοί ή τοξικοί ατμοί από μπιγιές με βάση το λάδι, νέφτι, βενζίνη, μερικές ουσίες κατά της σκουριάς, κτλ., ή σε περιοχές όπου υπάρχει εύφλεκτη σκόνη.
23. Μη χρησιμοποιείτε τη μηχανή υπό την επήρεια ναρκωτικών ουσιών ή αλκοόλ.
24. Ως βασικός κανόνας ασφάλειας, να χρησιμοποιείτε γυαλιά ασφαλείας ή γυαλιά με πλαϊνά προστατευτικά.
25. Να χρησιμοποιείτε μάσκα κατά της σκόνης σε συνθήκες με πολλή σκόνη.
26. Μη χειρίζεστε ποτέ την(τις) μπαταρία(ες) και τη σκούπα με βρεγμένα χέρια.
27. Να προσέχετε ιδιαίτερα όταν καθαρίζετε σκαλοπάτια.
28. Μη χρησιμοποιείτε τη μηχανή για σκαμπό ή πάγκο εργασίας. Η μηχανή σκούπα μπορεί να πέσει και να προκαλέσει προσωπικό τραυματισμό.
29. Μην αδιαφορείτε και αγνοείτε τις αρχές ασφάλειας του εργαλείου λόγω της εξοικείωσης που αποκτήσατε από τη συχνή χρήση των εργαλείων. Μια απρόσεκτη ενέργεια μπορεί να

προκαλέσει σοβαρό τραυματισμό εντός κλασμάτων ενός δευτερολέπτου.

### Χρήση και φροντίδα μπαταριών

1. **Να επαναφορτίζετε τις μπαταρίες μόνο με το φορτιστή που καθορίζεται από τον κατασκευαστή.** Ένας φορτιστής που είναι κατάλληλος για μια συγκεκριμένη μπαταρία μπορεί να δημιουργήσει κίνδυνο πυρκαγιάς όταν χρησιμοποιείται με μια άλλη μπαταρία.
2. **Να χρησιμοποιείτε ηλεκτρικά εργαλεία μόνο με ειδικά καθορισμένες μπαταρίες.** Η χρήση κάθε άλλης μπαταρίας μπορεί να δημιουργήσει κίνδυνο τραυματισμού ή πυρκαγιάς.
3. **Όταν δεν χρησιμοποιείται η κασέτα μπαταριών, διατηρήστε τη μακριά από άλλα μεταλλικά αντικείμενα, όπως συνδετήρες, κέρματα, κλειδιά, καρφιά, βίδες ή άλλα μικρά μεταλλικά αντικείμενα, με τα οποία μπορεί να δημιουργηθεί σύνδεση από τον έναν ακροδέκτη στον άλλον.** Το βραχυκύκλωμα των ακροδεκτών της μπαταρίας μπορεί να προκαλέσει εγκαύματα ή πυρκαγιά.
4. **Υπό συνθήκες κατάχρησης, μπορεί να εξαχθεί υγρό από την μπαταρία. Να αποφεύγετε την επαφή. Εάν συμβεί επαφή κατά λάθος, εκπλύνετε με νερό. Εάν το υγρό έρθει σε επαφή με τα μάτια, αναζητήστε και ιατρική βοήθεια.** Το υγρό που εξάγεται από την μπαταρία μπορεί να προκαλέσει ερεθισμό ή εγκαύματα.
5. **Μην χρησιμοποιείτε μια κασέτα μπαταριών ή εργαλείο που έχει καταστραφεί ή τροποποιηθεί.** Οι κατεστραμμένες ή τροποποιημένες μπαταρίες μπορεί να παρουσιάζουν απρόβλεπτη συμπεριφορά που έχει ως αποτέλεσμα πυρκαγιά, έκρηξη ή κίνδυνο τραυματισμού.
6. **Μην εκθέτετε την κασέτα μπαταριών ή το εργαλείο σε πυρκαγιά ή υπερβολικά υψηλή θερμοκρασία.** Η έκθεση στην πυρκαγιά ή στη θερμοκρασία άνω των 130 °C μπορεί να προκαλέσει έκρηξη.
7. **Ακολουθήστε όλες τις οδηγίες φόρτισης και μην φορτίσετε την κασέτα μπαταριών ή το εργαλείο εκτός του θερμοκρασιακού εύρους που καθορίζεται στις οδηγίες.** Η λανθασμένη φόρτιση ή η φόρτιση σε θερμοκρασίες εκτός του καθορισμένου εύρους μπορεί να προκαλέσει ζημιά στην μπαταρία και να αυξήσει τον κίνδυνο πυρκαγιάς.

### Σέρβις

1. **Να φροντίζετε το σέρβις του ηλεκτρικού εργαλείου σας να γίνεται από αρμόδιο επαγγελματία χρησιμοποιώντας μόνο γνήσια ανταλλακτικά.** Έτσι θα είστε σίγουροι για τη διατήρηση της ασφάλειας του ηλεκτρικού εργαλείου.
2. **Μην εκτελείτε ποτέ εργασίες σέρβις σε κατεστραμμένες κασέτες μπαταριών.** Οι εργασίες σέρβις των κασετών μπαταριών θα πρέπει να εκτελούνται μόνο από τον κατασκευαστή ή από εξουσιοδοτημένους παρόχους σέρβις.
3. **Να ακολουθείτε τις οδηγίες για τη λίπανση και την αλλαγή των αξεσουάρ.**
4. **Να διατηρείτε τις λαβές στεγνές, καθαρές, χωρίς λάδι και γράσο.**

## Σημαντικές οδηγίες ασφάλειας για κασέτα μπαταριών

1. **Πριν χρησιμοποιήσετε την κασέτα μπαταριών, διαβάστε όλες τις οδηγίες και σημειώσεις προφύλαξης (1) στον φορτιστή μπαταριών, (2) στην μπαταρία και (3) στο προϊόν που χρησιμοποιείτε την μπαταρία.**
2. **Μην αποσυναρμολογήσετε ή παραβιάσετε την κασέτα μπαταριών.** Μπορεί να έχει ως αποτέλεσμα πυρκαγιά, υπερθέρμανση ή έκρηξη.
3. **Εάν ο χρόνος λειτουργίας έχει γίνει υπερβολικά βραχύς, σταματήστε τη λειτουργία αμέσως. Αλλιώς, μπορεί να έχει ως αποτέλεσμα κίνδυνο υπερθέρμανσης, πιθανά εγκαύματα ή ακόμη και έκρηξη.**
4. **Εάν ηλεκτρολύτης μπει στα μάτια σας, ξεπλύνετε τα με καθαρό νερό και ζητήστε ιατρική φροντίδα αμέσως. Αλλιώς, μπορεί να έχει ως αποτέλεσμα απώλεια της όρασης σας.**
5. **Μην βραχυκυκλώνετε την κασέτα μπαταριών:**
  - (1) Μην αγγίζετε τους πόλους με οτιδήποτε αγώγιμο υλικό.
  - (2) Αποφεύγετε να αποθηκεύετε την κασέτα μπαταριών μέσα σε ένα δοχείο μαζί με άλλα μεταλλικά αντικείμενα όπως καρφιά, νομίσματα, κλπ.
  - (3) Μην εκθέτετε την κασέτα μπαταριών στο νερό ή στη βροχή.Ένα βραχυκύκλωμα μπαταρίας μπορεί να προκαλέσει μεγάλη ροή ρεύματος, υπερθέρμανση, πιθανά εγκαύματα ακόμη και σοβαρή βλάβη.
6. **Μην αποθηκεύετε και μην χρησιμοποιείτε το εργαλείο και την κασέτα μπαταριών σε τοποθεσίες όπου η θερμοκρασία μπορεί να φτάσει ή να ξεπεράσει τους 50 °C.**
7. **Μην καίτε την κασέτα μπαταριών ακόμη και εάν έχει σοβαρή ζημιά ή είναι εντελώς φθαρμένη.** Η κασέτα μπαταριών μπορεί να εκραγεί στη φωτιά.
8. **Μην καρφώσετε, κόψετε, συνθλίψετε, πετάξετε ή ριζέτε κάτω την κασέτα μπαταριών, ούτε να χτυπήσετε ένα σκληρό αντικείμενο επάνω στην κασέτα μπαταριών.** Τέτοια συμπεριφορά μπορεί να έχει ως αποτέλεσμα πυρκαγιά, υπερθέρμανση ή έκρηξη.
9. **Μην χρησιμοποιείτε μπαταρία που έχει υποστεί ζημιά.**
10. **Οι μπαταρίες ιόντων λιθίου που περιέχονται υπόκεινται στις απαιτήσεις της νομοθεσίας για επικίνδυνα αγαθά.**

Για εμπορικές μεταφορές, για παράδειγμα από τρίτα μέρη, πρέπει να τηρούνται οι διαμεταφορές, οι ειδικές απαιτήσεις στη συσκευασία και η επισήμανση.

Για προετοιμασία του στοιχείου που αποστέλλεται, είναι απαραίτητο να συμβουλευτείτε έναν ειδικό για επικίνδυνα υλικά. Επίσης, τηρήστε τους πιθανούς, πιο αναλυτικούς εθνικούς κανονισμούς. Καλύψτε με αυτοκόλλητη ταινία ή κρύψτε τις ανοικτές επαφές και συσκευάστε την μπαταρία με τρόπο που να μην μπορεί να μετακινείται μέσα στη συσκευασία.

- Όταν απορρίπτετε την κασέτα μπαταριών, αφαιρέστε την από το εργαλείο και διαθέστε την σε ένα ασφαλές μέρος. Τηρήστε τους τοπικούς κανονισμούς που σχετίζονται με τη διάθεση της μπαταρίας.
- Χρησιμοποιήστε τις μπαταρίες μόνο με τα προϊόντα που καθορίζει η Makita. Αν τοποθετήσετε τις μπαταρίες σε μη συμβατά προϊόντα μπορεί να έχει ως αποτέλεσμα πυρκαγιά, υπερβολική θερμότητα, έκρηξη ή διαρροή ηλεκτρολύτη.
- Αν δεν χρησιμοποιείτε το εργαλείο για μεγάλο χρονικό διάστημα, πρέπει να βγάλετε την μπαταρία από το εργαλείο.
- Κατά τη διάρκεια και μετά τη χρήση, η κασέτα μπαταριών μπορεί να θερμανθεί, γεγονός που μπορεί να προκαλέσει εγκαύματα ή εγκαύματα από χαμηλή θερμοκρασία. Προσέχετε το χειρισμό των ζεστών κασετών μπαταριών.
- Μην αγγίζετε τον ακροδέκτη του εργαλείου αμέσως μετά τη χρήση επειδή μπορεί να έχει ζεσταθεί αρκετά για να προκαλέσει εγκαύματα.
- Μην αφήνετε θραύσματα, σκόνη ή βρομιά να κολλήσει στους ακροδέκτες, τις οπές και τις εγκοπές της κασέτας μπαταριών. Μπορεί να προκαλέσει θέρμανση, φωτιά, έκρηξη και δυσλειτουργία του εργαλείου ή της κασέτας μπαταριών, έχοντας ως αποτέλεσμα εγκαύματα ή προσωπικό τραυματισμό.
- Εκτός αν το εργαλείο υποστηρίζει τη χρήση κοντά σε ηλεκτρικές γραμμές υψηλής τάσης, μην χρησιμοποιείτε την κασέτα μπαταριών κοντά σε ηλεκτρικές γραμμές υψηλής τάσης. Μπορεί να έχει ως αποτέλεσμα δυσλειτουργία ή σπάσιμο του εργαλείου ή της κασέτας μπαταριών.
- Κρφυλάξτε την μπαταρία μακριά από παιδιά.

## ΦΥΛΑΞΤΕ ΤΙΣ ΟΔΗΓΙΕΣ ΑΥΤΕΣ.

**▲ΠΡΟΣΟΧΗ:** Να χρησιμοποιείτε μόνο γνήσιες μπαταρίες της Makita. Η χρήση μη γνήσιων μπαταριών Makita, ή μπαταριών που έχουν τροποποιηθεί, μπορεί να έχει ως αποτέλεσμα τη ρήξη της μπαταρίας, προκαλώντας πυρκαγιά, προσωπικό τραυματισμό και βλάβη. Επίσης, θα ακυρωθεί η εγγύηση της Makita για το εργαλείο και φορτιστή Makita.

## Συμβουλές για τη διατήρηση της μέγιστης ζωής μπαταρίας

- Φορτίζετε την κασέτα μπαταριών πριν από την πλήρη αποφόρτιση της. Πάντοτε να σταματάτε τη λειτουργία του εργαλείου και να φορτίζετε την κασέτα μπαταριών όταν παρατηρείτε μειωμένη ισχύ εργαλείου.
- Ποτέ μην επαναφορτίζετε μια πλήρως φορτισμένη κασέτα μπαταριών. Η υπερφόρτιση μειώνει την ωφέλιμη ζωή της μπαταρίας.
- Να φορτίζετε την κασέτα μπαταριών σε θερμοκρασία δωματίου, δηλαδή στους 10 °C έως 40 °C. Αφήστε μια θερμή κασέτα μπαταριών να κρυώσει πριν την φορτίσετε.
- Όταν δεν χρησιμοποιείτε την κασέτα μπαταριών, αφαιρέστε την από το εργαλείο ή τον φορτιστή.
- Να φορτίζετε την κασέτα μπαταριών εάν δεν τη χρησιμοποιείτε για μεγάλη χρονική περίοδο

(περισσότερο από έξι μήνες).

## ΠΕΡΙΓΡΑΦΗ ΛΕΙΤΟΥΡΓΙΑΣ

**▲ΠΡΟΣΟΧΗ:** Να φροντίζετε πάντα για την απενεργοποίηση της συσκευής και την αφαίρεση των κασετών μπαταριών, πριν από οποιαδήποτε ρύθμιση ή έλεγχο της λειτουργίας της συσκευής.

### Τοποθέτηση ή αφαίρεση της κασέτας μπαταριών

**▲ΠΡΟΣΟΧΗ:** Να απενεργοποιείτε πάντα τη συσκευή πριν τοποθετείτε ή αφαιρέτε την κασέτα μπαταριών.

**▲ΠΡΟΣΟΧΗ:** Κρατήστε τη συσκευή και την κασέτα μπαταριών σταθερά κατά την τοποθέτηση ή αφαίρεση της κασέτας μπαταριών. Αν δεν κρατάτε τη συσκευή και την κασέτα μπαταριών σταθερά, μπορεί να γλιστρήσουν από τα χέρια σας και να προκληθεί ζημιά στη συσκευή και την κασέτα μπαταριών καθώς και προσωπικός τραυματισμός.

Για να εγκαταστήσετε τις κασέτες μπαταριών, ευθυγραμμίστε τις γλωττίδες στις κασέτες μπαταριών με τις εγκοπές στο περιβλήμα και σύρετέ τις στη θέση τους. Να τις εισαγάγετε μέχρι τέρμα ώστε να ασφαλισουν στη θέση τους, γεγονός που υποδεικνύεται με ένα χαρακτηριστικό ήχο. Αν μπορείτε να δείτε τους κόκκινους δείκτες όπως απεικονίζεται στην εικόνα, δεν έχουν κλειδώσει τελείως.

Για να αφαιρέσετε τις κασέτες μπαταριών, σύρετέ τις εκτός του περιβλήματος μπαταρίας ενώ πατάτε παρατεταμένα τα κουμπιά μπροστά από τις κασέτες.

► **Εικ.1:** 1. Κόκκινος δείκτης 2. Κουμπί 3. Δεξιά κασέτα μπαταριών 4. Αριστερή κασέτα μπαταριών

**▲ΠΡΟΣΟΧΗ:** Να τοποθετείτε πάντα την κασέτα μπαταριών πλήρως μέχρι να μην βλέπετε την κόκκινη ένδειξη. Σε αντίθετη περίπτωση, μπορεί να πέσει κατά λάθος από τη συσκευή, προκαλώντας τραυματισμό σε εσάς ή κάποιον παρευρισκόμενο.

**▲ΠΡΟΣΟΧΗ:** Μην τοποθετείτε την κασέτα μπαταριών με βία. Εάν η κασέτα δεν ολισθαίνει με ευκολία, τότε δεν έχει τοποθετηθεί κατάλληλα.

Η μηχανή διαθέτει υποδοχές για δύο μπαταρίες. Μπορείτε να επιλέξετε είτε δύο μπαταρίες είτε μία μπαταρία ανάλογα με τις ανάγκες σας.

### Με δύο μπαταρίες

Η συνεχής λειτουργία με δύο μπαταρίες επιτρέπει μεγαλύτερο χρόνο λειτουργίας και πιο αποδοτικό καθαρισμό. Όταν η πρώτη μπαταρία αρχίζει να αδειάζει, η σκούπα αυτόματα αλλάζει την πηγή τροφοδοσίας, για να συνεχίσει να λειτουργεί με τη δεύτερη μπαταρία.

**ΠΑΡΑΤΗΡΗΣΗ:** Η δεξιά υποδοχή μπαταρίας (όταν κοιτάτε την πρόσοψη της μηχανής) έχει προτεραιότητα σε σχέση με την αριστερή υποδοχή μπαταρίας. Η αριστερή υποδοχή μπαταρίας θα αναγνωρισθεί ως πηγή τροφοδοσίας μόνο όταν δεν έχει τοποθετηθεί μπαταρία στη δεξιά υποδοχή μπαταρίας ή η μπαταρία στη δεξιά υποδοχή μπαταρίας αδειάσει.

**ΠΑΡΑΤΗΡΗΣΗ:** Μπορείτε να αφαιρέσετε την μπαταρία από τη δεξιά υποδοχή μπαταρίας και να την επαναφορτίσετε αφού η μηχανή έχει αλλάξει την πηγή τροφοδοσίας από τη δεξιά υποδοχή μπαταρίας στην αριστερή χωρίς να διακοπεί η λειτουργία. Για να δώσετε προτεραιότητα ξανά στη δεξιά υποδοχή μπαταρίας αφού τοποθετήσετε μια επαναφορισμένη μπαταρία, επανεκκινήστε τη μηχανή.

**ΠΑΡΑΤΗΡΗΣΗ:** Όταν η μηχανή αλλάξει την πηγή τροφοδοσίας από την πρώτη μπαταρία στη δεύτερη, μπορεί να απαιτήσει μια προσωρινή διακοπή των εργασιών, προκαλώντας μια μικρή απώλεια της αναρρόφησης. Αυτό δεν είναι δυσλειτουργία, επειδή η μηχανή αποκαθίσταται και συνεχίζει τις εργασίες αμέσως μετά την παύση.

### Με μία μπαταρία

Απαιτείται μόνο μία μπαταρία ως πηγή τροφοδοσίας είτε στη δεξιά είτε στην αριστερή υποδοχή μπαταρίας. Η μηχανή καθορίζει αυτόματα την υποδοχή μπαταρίας που είναι διαθέσιμη.

## Εμφάνιση υπολειπόμενης χωρητικότητας μπαταρίας

Πιέστε το κουμπί ελέγχου στην κασέτα μπαταριών για να υποδείξετε την υπολειπόμενη χωρητικότητα μπαταρίας. Οι ενδεικτικές λυχνίες ανάβουν για λίγα δευτερόλεπτα.


► **Εικ.2:** 1. Ενδεικτικές λυχνίες 2. Κουμπί ελέγχου

Ενδεικτικές λυχνίες			Υπολειπόμενη χωρητικότητα
Αναμμένες	Σβηστές	Αναβοσβήνουν	
■ ■ ■ ■			75% έως 100%
■ ■ ■ □			50% έως 75%
■ ■ □ □			25% έως 50%
■ □ □ □			0% έως 25%
▣ □ □ □			Φορτίστε την μπαταρία.
■ ■ □ □			Μπορεί να προέκυψε δυσλειτουργία στην μπαταρία.
□ □ ■ ■			


**ΠΑΡΑΤΗΡΗΣΗ:** Ανάλογα με τις συνθήκες χρήσης και τη θερμοκρασία περιβάλλοντος, η ένδειξη μπορεί να διαφέρει λίγο από την πραγματική χωρητικότητα.





**ΠΑΡΑΤΗΡΗΣΗ:** Η πρώτη (τέρμα αριστερά) ενδεικτική λυχνία θα αναβοσβήνει όταν λειτουργεί το σύστημα προστασίας μπαταρίας.

## Ένδειξη της υπολειπόμενης χωρητικότητας μπαταρίας στο κουτί διακοπών

Η υπολειπόμενη χωρητικότητα μπαταρίας μπορεί να ελεγχθεί στο κουτί διακοπών. Πατήστε το κουμπί  για να εμφανιστούν οι υπόλοιπες χωρητικότητες των μπαταριών.


Οι ενδείξεις «L» και «R» στο κουτί διακοπών αντιστοιχούν στην αριστερή και δεξιά κασέτα μπαταριών, αντίστοιχα. Ακολουθήστε την ένδειξη όταν αλλάξετε την κασέτα μπαταριών.


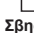


► **Εικ.3:** 1. Ένδειξη μπαταριών 2. Κουμπί ελέγχου μπαταρίας / λυχνίας LED 

Κατάσταση ένδειξης μπαταρίας			Υπολειπόμενη χωρητικότητα μπαταρίας
Αναμμένες	Σβηστές	Αναβοσβήνουν	
			50% έως 100%
			20% έως 50%
			0% έως 20%
			Φορτίστε την μπαταρία

## Σύστημα προστασίας της συσκευής/ μπαταρίας

Η συσκευή είναι εξοπλισμένη με σύστημα προστασίας της συσκευής / μπαταρίας. Αυτό το σύστημα αποκόπτει αυτόματα την ισχύ προς το μοτέρ για να παραταθεί η διάρκεια λειτουργίας της συσκευής και της μπαταρίας. Σε αυτή την κατάσταση, η ένδειξη μπαταριών ανάβει σύμφωνα με τον ακόλουθο πίνακα.

Κατάσταση ένδειξης μπαταριών			Κατάσταση
Αναμμένη	Σβηστή	Αναβοσβήνει	
			Προστασία υπερφόρτωσης (μπαταρία) / Προστασία υπερθέρμανσης (μπαταρία) / Προστασία υπερβολικής αποφόρτισης

Κατάσταση ένδειξης μπαταριών			Κατάσταση
 Αναμμένη	 Σβηστή	 Αναβοσβήνει	
			Προστασία υπερθέρμανσης (συσκευή)

Η συσκευή και το φως LED θα σβήσουν αυτόματα κατά τη διάρκεια της λειτουργίας αν η συσκευή ή η μπαταρία βρεθούν κάτω από τις παρακάτω συνθήκες:

## Προστασία υπερφόρτωσης

Όταν η συσκευή / μπαταρία λειτουργεί με τρόπο ώστε να αναγκάζεται να καταναλώνει ασυνήθιστα υψηλό ρεύμα, η συσκευή σταματάει αυτόματα. Σε αυτή την κατάσταση, απενεργοποιήστε τη συσκευή και διακόψτε την εφαρμογή που προκαλεί την υπερφόρτωση. Μετά, ενεργοποιήστε τη συσκευή για επανεκκίνηση.

## Προστασία υπερθέρμανσης

Όταν η συσκευή / μπαταρία υπερθερμανθεί, η συσκευή διακόπεται αυτόματα. Σε αυτή την κατάσταση, αφήστε τη συσκευή / μπαταρία να ψυχθεί πριν ενεργοποιήσετε ξανά τη συσκευή.

## Προστασία υπερβολικής αποφόρτισης

Όταν μειωθεί πολύ η χωρητικότητα μπαταρίας, η συσκευή σταματάει αυτόματα. Αν το προϊόν δεν τίθεται σε λειτουργία ακόμα και όταν πραγματοποιείται χειρισμός των διακοπών, βγάλτε τις μπαταρίες από τη συσκευή και φορτίστε τις μπαταρίες.

## Προστασία και από άλλες αιτίες

Το σύστημα προστασίας έχει επίσης σχεδιαστεί για άλλες αιτίες που μπορούν να προκαλέσουν ζημιά στη συσκευή και επιτρέπει την αυτόματη διακοπή της συσκευής. Λάβετε όλα τα ακόλουθα βήματα για να διορθώσετε τις αιτίες, όταν η συσκευή τεθεί σε προσωρινή διακοπή ή διακοπή κατά τη διάρκεια της λειτουργίας.

1. Απενεργοποιήστε τη συσκευή και, στη συνέχεια, ενεργοποιήστε την ξανά για να επανεκκινήσει.
2. Φορτίστε την μπαταρία ή τις μπαταρίες ή αντικαταστήστε τις με επαναφορτιζόμενες μπαταρίες.
3. Αφήστε τη συσκευή και τις μπαταρίες να ψυχθούν.

Αν δεν υπάρχει βελτίωση με την επαναφορά του συστήματος προστασίας, επικοινωνήστε με το τοπικό σας κέντρο εξυπηρέτησης της Makita.

## Θέση κουτιού διακοπών

Το κουτί διακοπών μπορεί να γαντζωθεί σε οποιαδήποτε πλευρά της κάτω ζώνης. Τακτοποιήστε το καλώδιο με τρόπο ώστε το κουτί διακοπών να εξέρχεται από την επιθυμητή πλευρά σας. Για να αποφευχθεί η πρόκληση ζημιάς στο καλώδιο, περάστε το καλώδιο μέσα από την εγκοπή όπως απεικονίζεται.

- **Εικ.4:** 1. Εγκοπή 2. Καλώδιο

## Ζώνες ρύθμισης

Το σφίξιμο των ζωνών ώμου και της άνω και κάτω ζώνης μπορεί να ρυθμιστεί. Περάστε τα χέρια σας πρώτα μέσα από τις ζώνες ώμου και μετά δέστε την κάτω και άνω ζώνη. Για να σφίξετε, τραβήξτε το άκρο του μάντα όπως απεικονίζεται. Για να χαλαρώσετε, τραβήξτε το άκρο του συνδετήρα.

### Κάτω ζώνη

- **Εικ.5:** 1. Μάντας 2. Συνδετήρας

### Ζώνες ώμου

- **Εικ.6:** 1. Μάντας 2. Συνδετήρας

### Άνω ζώνη

- **Εικ.7:** 1. Μάντας 2. Συνδετήρας


## Γάντζος μεταφοράς


Να πιάνετε πάντα τον γάντζο μεταφοράς κατά το χειρισμό του κύριου τμήματος της μηχανής αναρρόφησης.

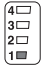



- **Εικ.8:** 1. Γάντζος μεταφοράς

## Δράση διακοπή

Για να ξεκινήσετε τη λειτουργία της μηχανής, απλά πατήστε το κουμπί ①. Για να την απενεργοποιήσετε, πατήστε ξανά το κουμπί ①.

Μπορείτε να αλλάξετε την ισχύ αναρρόφησης της μηχανής σε τέσσερα βήματα αν πατήσετε το κουμπί . Με κάθε πάτημα αυτού του κουμπιού επαναλαμβάνεται ο τρόπος λειτουργίας 1 έως 4 σε έναν κύκλο.

- **Εικ.9:** 1. Κουμπί αλλαγής ισχύος αναρρόφησης  2. Κουμπί ενεργοποίησης/απενεργοποίησης ①



Επίπεδο	Ένδειξη	Τρόπος λειτουργίας
1		Τρόπος αθόρυβης λειτουργίας
2		Τρόπος λειτουργίας κανονικής ταχύτητας
3		Τρόπος λειτουργίας υψηλής ταχύτητας
4		Τρόπος λειτουργίας μέγιστης ταχύτητας

**ΠΑΡΑΤΗΡΗΣΗ:** Μπορείτε να αλλάξετε την ισχύ αναρρόφησης πριν ενεργοποιήσετε τη σκούπα.

**ΠΑΡΑΤΗΡΗΣΗ:** Η σκούπα αρχίζει τη λειτουργία με την ίδια ισχύ αναρρόφησης όπως στην τελευταία λειτουργία.

**ΠΑΡΑΤΗΡΗΣΗ:** Αν αφαιρέσετε την μπαταρία αμέσως μετά την απενεργοποίηση της συσκευής, ενώ το μοτέρ περιστρέφεται, η σκούπα μπορεί να μην αρχίσει να λειτουργεί με την ίδια ισχύ αναρρόφησης όπως στην προηγούμενη λειτουργία.

## Φως LED

Το φως LED τοποθετείται στην κεφαλή του κουτιού διακοπών για να διευκολύνονται οι εργασίες σε σκοτεινά μέρη. Πατήστε παρατεταμένα το κουμπί  για να ανάψετε το φως. Για απενεργοποίηση, πατήστε ξανά παρατεταμένα το κουμπί .

► **Εικ.10**

**ΠΡΟΣΟΧΗ:** Μην κοιτάζετε το φως και μη βλέπετε την πηγή φωτός απευθείας. Μη στοχεύετε ποτέ το φως στα μάτια άλλων ατόμων.

**ΠΑΡΑΤΗΡΗΣΗ:** Το φως LED σβήνει αυτόματα όταν η μηχανή αναρρόφησης δεν λειτουργεί για περισσότερα από 10 λεπτά.

## Σφικτήρας εύκαμπτου σωλήνα

Ο σφικτήρας εύκαμπτου σωλήνα μπορεί να χρησιμοποιηθεί για τη συγκράτηση του εύκαμπτου σωλήνα ή του εύκαμπτου ελαστικού ακροφυσίου.

Για να ασφαλίσετε τον εύκαμπτο σωλήνα στο κύριο τμήμα της μηχανής αναρρόφησης, περάστε το σφικτήρα εύκαμπτου σωλήνα μέσα από την σχισμή στο κύριο τμήμα. Μπορείτε να συνδέσετε το σφικτήρα εύκαμπτου σωλήνα σε οποιαδήποτε πλευρά.

► **Εικ.11:** 1. Σφικτήρας εύκαμπτου σωλήνα 2. Σχισμή 3. Εύκαμπτος σωλήνας

Οι βρόχοι της κάτω ζώνης μπορεί να χρησιμοποιηθεί για τη μεταφορά των ακροφυσίων όπως απεικονίζεται.

► **Εικ.12:** 1. Βρόχος 2. Ακροφύσιο

## Γάντζος εύκαμπτου σωλήνα

Όταν γίνεται αναστολή της λειτουργίας, ο γάντζος στη διάταξη λυγισμένου σωλήνα μπορεί να χρησιμοποιηθεί για να κρεμαστεί η ράβδος στο εξάρτημα ανάρτησης της κάτω ζώνης.

► **Εικ.13:** 1. Γάντζος 2. Κάτω ζώνη 3. Εξάρτημα ανάρτησης

## ΣΥΝΑΡΜΟΛΟΓΗΣΗ

**ΠΡΟΣΟΧΗ:** Να βεβαιώνετε πάντα ότι η συσκευή είναι απενεργοποιημένη και η κασέτα μπαταριών έχει αφαιρεθεί πριν εκτελέσετε οποιαδήποτε εργασία στη συσκευή.

## Συναρμολόγηση εύκαμπτου σωλήνα

Εισαγάγετε το στόμιο εύκαμπτου σωλήνα μέσα στο κύριο τμήμα της μηχανής αναρρόφησης και περιστρέψτε το δεξιόστροφα.

► **Εικ.14:** 1. Στόμιο εύκαμπτου σωλήνα 2. Κύριο τμήμα της μηχανής αναρρόφησης

## Όταν χρησιμοποιείται ως μηχανή αναρρόφησης

## Προσάρτηση διάταξης λυγισμένου σωλήνα

### Προαιρετικό εξάρτημα

**ΠΑΡΑΤΗΡΗΣΗ:** Δεν χρειάζεται να εκτελέσετε αυτή τη διαδικασία αν το μοντέλο σας παρέχεται με τη διάταξη λυγισμένου σωλήνα συνδεδεμένη με τον εύκαμπτο σωλήνα.

**ΠΑΡΑΤΗΡΗΣΗ:** Υπάρχουν δύο τύποι διάταξης λυγισμένου σωλήνα: μία για τη ράβδο προέκτασης τύπου ολίσθησης και μία άλλη για τη ράβδο προέκτασης τύπου δακτυλίου. Αν προετοιμάσετε τη διάταξη λυγισμένου σωλήνα, επιλέξτε αυτή για τον επιθυμητό τύπο της ράβδου προέκτασης.

Η διάταξη λυγισμένου σωλήνα χρησιμοποιείται για τη σύνδεση της ράβδου προέκτασης ή του ακροφυσίου για καθαρισμό με αναρρόφηση με αυτό το προϊόν.

Αν θέλετε να χρησιμοποιήσετε αυτό το προϊόν ως μηχανή αναρρόφησης, συνδέστε τη διάταξη λυγισμένου σωλήνα με τον εύκαμπτο σωλήνα.

### Για τη διάταξη λυγισμένου σωλήνα τύπου βιδώματος

Για προσάρτηση, ξεβιδώστε το μπροστινό στόμιο από τον εύκαμπτο σωλήνα και συνδέστε το χιτώνιο της διάταξης λυγισμένου σωλήνα στον εύκαμπτο σωλήνα. Για αφαίρεση, χαλαρώστε το χιτώνιο της διάταξης λυγισμένου σωλήνα από τον εύκαμπτο σωλήνα.

► **Εικ.15:** 1. Εύκαμπτος σωλήνας 2. Διάταξη λυγισμένου σωλήνα 3. Χιτώνιο

### Για τη διάταξη λυγισμένου σωλήνα ασφαλιζόμενου τύπου

Για προσάρτηση, εισαγάγετε το άκρο εύκαμπτου σωλήνα στη διάταξη λυγισμένου σωλήνα. Βεβαιωθείτε ότι οι γλωττίδες στο άκρο εύκαμπτου σωλήνα ασφαλίζουν στις οπές στη διάταξη λυγισμένου σωλήνα. Για αφαίρεση, τραβήξτε τη διάταξη λυγισμένου σωλήνα ενώ πατάτε και τις δύο γλωττίδες στο άκρο εύκαμπτου σωλήνα.

► **Εικ.16:** 1. Άκρο εύκαμπτου σωλήνα 2. Γλωττίδα 3. Οπή 4. Διάταξη λυγισμένου σωλήνα

## Συναρμολόγηση ακροφυσίου και ράβδου

### Προαιρετικό εξάρτημα

**ΠΑΡΑΤΗΡΗΣΗ:** Ο τύπος του ακροφυσίου και ράβδου που περιλαμβάνονται με το προϊόν διαφέρει ανάλογα με τη χώρα. Σε μερικές χώρες, δεν περιλαμβάνονται ακροφύσιο και ράβδος.

1. Περιστρέψτε και εισαγάγετε το ακροφύσιο στη ράβδο προέκτασης.

► **Εικ.17:** 1. Ράβδος προέκτασης 2. Εύκαμπτο ελαστικό ακροφύσιο 3. Ακροφύσιο γωνιών 4. Ακροφύσιο σχήματος T

Όταν χρησιμοποιείτε το ακροφύσιο σχήματος T για αλλαγή δαπέδου/χαλιού, μπορείτε να αλλάξετε τον τρόπο λειτουργίας ανάλογα με την τοποθεσία.

- Τρόπος λειτουργίας δαπέδου: κατάλληλο για ομαλές τοποθεσίες όπως σκληρό δάπεδο
  - Τρόπος λειτουργίας χαλιού: κατάλληλο για χνουδωτές τοποθεσίες, όπως χαλιά ή μοκέτες
- **Εικ. 18:** 1. Κουμπί αλλαγής τρόπου λειτουργίας  
2. Τρόπος λειτουργίας δαπέδου 3. Τρόπος λειτουργίας χαλιού

**ΠΑΡΑΤΗΡΗΣΗ:** Αν περιστρέψετε το ακροφύσιο ενώ το εισαγάγετε, το ακροφύσιο μπορεί να συνδεθεί στη ράβδο προέκτασης με ασφάλεια.

**ΠΑΡΑΤΗΡΗΣΗ:** Για το μοντέλο με τον εύκαμπτο σωλήνα  $\varnothing 38$  mm και το μπροστινό στόμιο 38, συνδέστε το παρεχόμενο ακροφύσιο με τον αλουμινένιο λυγισμένο σωλήνα / αλουμινένιο ίσιο σωλήνα.

2. Ακολουθήστε τις παρακάτω διαδικασίες, ανάλογα με τον τύπο της ράβδου προέκτασης:

**ΠΑΡΑΤΗΡΗΣΗ:** Η ράβδος προέκτασης τύπου ολίσθησης και η ράβδος προέκτασης τύπου δακτυλίου δεν είναι συμβατές μεταξύ τους. Αν θέλετε να αλλάξετε τη ράβδο προέκτασης τύπου ολίσθησης με τη ράβδο προέκτασης τύπου δακτυλίου ή αντίστροφα, αλλάξτε και τη διάταξη λυγισμένου σωλήνα.

#### Για ράβδο προέκτασης τύπου ολίσθησης

Τοποθετήστε το κύριο τμήμα της μηχανής αναρρόφησης στον ώμο σας και μετά εισαγάγετε τη ράβδο προέκτασης μέσα στη διάταξη λυγισμένου σωλήνα μέχρι να ασφαλίσει. Για να αποσυνδέσετε τη ράβδο προέκτασης, εξαγάγετέ την πατώντας το κουμπί.

- **Εικ. 19:** 1. Διάταξη λυγισμένου σωλήνα 2. Κουμπί 3. Ράβδος προέκτασης τύπου ολίσθησης 4. Εύκαμπτο ελαστικό ακροφύσιο

Το μήκος της ράβδου μπορεί να ρυθμιστεί. Ενώ πατάτε το κουμπί ολίσθησης, ρυθμίστε το μήκος της ράβδου. Το μήκος ασφαλίζεται όταν αφήσετε το κουμπί ολίσθησης.

- **Εικ. 20:** 1. Κουμπί ολίσθησης

#### Για τη ράβδο προέκτασης τύπου δακτυλίου

Τοποθετήστε το κύριο τμήμα της μηχανής αναρρόφησης στον ώμο σας και μετά περιστρέψτε και εισαγάγετε τη ράβδο προέκτασης μέσα στη διάταξη λυγισμένου σωλήνα. Για να τον αποσυνδέσετε, περιστρέψτε και αποσπάστε τον.

- **Εικ. 21:** 1. Διάταξη λυγισμένου σωλήνα 2. Ράβδος προέκτασης τύπου δακτυλίου 3. Εύκαμπτο ελαστικό ακροφύσιο

**ΠΑΡΑΤΗΡΗΣΗ:** Το εύκαμπτο ελαστικό ακροφύσιο μπορεί να προσαρτηθεί απευθείας με τη διάταξη λυγισμένου σωλήνα χωρίς ασφάλιση σωλήνα.

Το μήκος της ράβδου μπορεί να ρυθμιστεί. Χαλαρώστε το δακτύλιο στη ράβδο και ρυθμίστε το μήκος της ράβδου. Σφίξτε το δακτύλιο στο μήκος που θέλετε.

- **Εικ. 22:** 1. Δακτύλιος

#### Για τον αλουμινένιο λυγισμένο σωλήνα / αλουμινένιο ίσιο σωλήνα

(Μόνο για το μοντέλο με εύκαμπτο σωλήνα  $\varnothing 38$  mm και μπροστινό στόμιο 38)

Τοποθετήστε το κύριο τμήμα της μηχανής αναρρόφησης στον ώμο σας και μετά περιστρέψτε και εισαγάγετε το σωλήνα μέσα στο μπροστινό στόμιο. Για να τον αποσυνδέσετε, περιστρέψτε και αποσπάστε τον.

- **Εικ. 23:** 1. Μπροστινό στόμιο 38 2. Αλουμινένιος λυγισμένος σωλήνας 3. Αλουμινένιος ίσιος σωλήνας 4. Ακροφύσιο σχήματος T

#### Για τους δύο αλουμινένιους ίσιους σωλήνες

Τοποθετήστε το κύριο τμήμα της μηχανής αναρρόφησης στον ώμο σας και μετά περιστρέψτε και εισαγάγετε τους σωλήνες. Για να τον αποσυνδέσετε, περιστρέψτε και αποσπάστε τον.


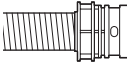
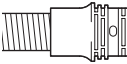
- **Εικ. 24:** 1. Διάταξη λυγισμένου σωλήνα 2. Αλουμινένιος ίσιος σωλήνας 1 3. Αλουμινένιος ίσιος σωλήνας 2

### Σύνδεση του εργαλείου



**ΠΑΡΑΤΗΡΗΣΗ:** Αν η διάταξη λυγισμένου σωλήνα είναι συνδεδεμένη με τον εύκαμπτο σωλήνα, αφαιρέστε τον προκαταβολικά.

Για να συνδέσετε ένα εργαλείο με τη μηχανή, απαιτείται ο αποκλειστικός εύκαμπτος σωλήνας ή/και επιπρόσθετα εξαρτήματα. Ανάλογα με το μοντέλο μηχανής σας, πρέπει να αντικαταστήσετε τον εύκαμπτο σωλήνα ή/και να προετοιμάσετε επιπρόσθετα εξαρτήματα.

Ανατρέξτε στον ακόλουθο πίνακα για λεπτομέρειες.

Διάμετρος παρεχόμενου εύκαμπτου σωλήνα	Τύπος άκρου εύκαμπτου σωλήνα	Ενέργεια
$\varnothing 28$ mm	 χωρίς εξάρτημα	Προσαρτήστε το μπροστινό στόμιο.
	 με ασφαλιζόμενο εξάρτημα	Αντικαταστήστε το άκρο εύκαμπτου σωλήνα (ασφαλιζόμενο εξάρτημα) με το μπροστινό στόμιο. Το άκρο εύκαμπτου σωλήνα μπορεί να αφαιρεθεί αν το περιστρέψετε αριστερόστροφα.
$\varnothing 32$ mm	 με ασφαλιζόμενο εξάρτημα	Αντικαταστήστε τον εύκαμπτο σωλήνα με αυτόν για την απαγωγή σκόνης ( $\varnothing 28$ mm, με μπροστινό στόμιο).



Διάμετρος παρεχόμενου εύκαμπτου σωλήνα	Τύπος άκρου εύκαμπτου σωλήνα	Ενέργεια
ø38 mm	 με ασφαλιζόμενο εξάρτημα	Αντικαταστήστε τον εύκαμπτο σωλήνα με αυτόν για την απαγωγή σκόνης (ø28 mm, με μπροστινό στόμιο).
	 με μπροστινό στόμιο 38	Προσαρτήστε τον σύνδεσμο 22-38 ή το μπροστινό στόμιο 24.

**ΠΑΡΑΤΗΡΗΣΗ:** Χρησιμοποιείτε πάντοτε κατάλληλο μπροστινό στόμιο. Κατά τη χρήση του μπροστινού στομίου 24, συνδέστε το στο μπροστινό στόμιο 22 που είναι συνδεδεμένο στον εύκαμπτο σωλήνα.

► **Εικ.25:** 1. Μπροστινό στόμιο 22 2. Μπροστινό στόμιο 24

## Όταν χρησιμοποιείτε τον εύκαμπτο σωλήνα απαγωγής σκόνης ø28 mm

1. Συνδέστε το μπροστινό στόμιο στον εύκαμπτο σωλήνα για την απαγωγή σκόνης.  
Όταν συνδέετε το μπροστινό στόμιο, βεβαιωθείτε ότι είναι καλά βιδωμένο στον εύκαμπτο σωλήνα.
2. Συνδέστε το μπροστινό στόμιο με την έξοδο απαγωγής του εργαλείου.  
► **Εικ.26:** 1. Μπροστινό στόμιο 2. Έξοδος απαγωγής 3. Εύκαμπτος σωλήνας

Μπορείτε να αποσπάσετε το μπροστινό στόμιο περιστρέφοντάς το αριστερόστροφα και κρατώντας σταθερά τον εύκαμπτο σωλήνα.

## Όταν χρησιμοποιείτε εύκαμπτο σωλήνα ø38 mm με μπροστινό στόμιο 38

1. Περιστρέψτε και εισαγάγετε τον σύνδεσμο ή το μπροστινό στόμιο στο εξάρτημα εισόδου στον εύκαμπτο σωλήνα, ανάλογα με το εργαλείο που πρόκειται να συνδέσετε.
2. Συνδέστε το μπροστινό στόμιο με την έξοδο απαγωγής του εργαλείου.  
► **Εικ.27:** 1. Σύνδεσμος 2. Μπροστινό στόμιο 3. Έξοδος απαγωγής 4. Εύκαμπτος σωλήνας

Για να αφαιρέσετε τον σύνδεσμο και το μπροστινό στόμιο, ακολουθήστε τις διαδικασίες τοποθέτησης με αντίστροφη σειρά.

## Τοποθέτηση σακούλας φίλτρου/σακούλας σκόνης

### Προαιρετικό εξάρτημα

**▲ ΠΡΟΣΟΧΗ:** Μη χρησιμοποιείτε σακούλα φίλτρου που έχει υποστεί ζημιά. Να χρησιμοποιείτε πάντα τη μηχανή αναρρόφησης με τη σακούλα φίλτρου σωστά τοποθετημένη. Διαφορετικά, η σκόνη ή τα σωματίδια που αναρροφήθηκαν μπορούν να εξέλθουν από τη μηχανή και μπορεί να προκαλέσουν αναπνευστική ασθένεια στο χειριστή.

Τοποθετήστε τη σακούλα σκόνης ή τη σακούλα φίλτρου πριν χρησιμοποιήσετε τη μηχανή αναρρόφησης.

- Μπορείτε να επαναχρησιμοποιήσετε το σάκο σκόνης πολλές φορές αν τον καθαρίσετε.
- Η σακούλα φίλτρου είναι αναλώσιμη. Όταν γεμίσει, πετάξτε ολόκληρη τη σακούλα φίλτρου χωρίς να την αδειάσετε.

**ΕΙΔΟΠΟΙΗΣΗ:** Όταν η σακούλα φίλτρου είναι ήδη γεμάτη, αντικαταστήστε τη με μια καινούρια. Όταν η σακούλα σκόνης είναι ήδη γεμάτη, αδειάστε την. Η συνεχόμενη χρήση με γεμάτη σακούλα φίλτρου/σακούλα σκόνης θα έχει ως αποτέλεσμα μειωμένη ισχύ αναρρόφησης.

**ΕΙΔΟΠΟΙΗΣΗ:** Για να αποφευχθεί η είσοδος σκόνης στο μοτέρ:

- Πριν από τη χρήση, βεβαιωθείτε ότι η σακούλα φίλτρου/σακούλα σκόνης έχει τοποθετηθεί.
- Μη χρησιμοποιείτε σπασμένο ή σκισμένο σάκο.

Διαφορετικά, μπορεί να σπάσει το μοτέρ.

**ΕΙΔΟΠΟΙΗΣΗ:** Μη διπλώνετε το χαρτόνι στο άνοιγμά του όταν τοποθετείτε τη σακούλα φίλτρου/σακούλα σκόνης.

**ΕΙΔΟΠΟΙΗΣΗ:** Η σακούλα φίλτρου/σακούλα σκόνης για τη μηχανή αναρρόφησης είναι ένα σημαντικό εξάρτημα για τη διατήρηση της απόδοσης της συσκευής. Η χρήση μη γνήσιας σακούλας φίλτρου/σακούλας σκόνης μπορεί να προκαλέσει καπνό ή ανάφλεξη.

**ΠΑΡΑΤΗΡΗΣΗ:** Όταν η σακούλα φίλτρου/σακούλα σκόνης δεν είναι τοποθετημένη στη μηχανή αναρρόφησης, το μπροστινό κάλυμμα δεν κλείνει τελείως.

► **Εικ.28**

1. Απασφαλίστε τον μοχλό και ανοίξτε το μπροστινό κάλυμμα.  
► **Εικ.29:** 1. Μοχλός 2. Μπροστινό κάλυμμα
2. Εισαγάγετε τη σακούλα φίλτρου μέσα στην εγκοπή στην άνω πλευρά του δωματίου όπως απεικονίζεται.  
► **Εικ.30:** 1. Εγκοπή 2. Σακούλα φίλτρου

Όταν χρησιμοποιείτε τη σακούλα σκόνης, εισαγάγετε το χείλος της σακούλας σκόνης μέσα στην εγκοπή.

► **Εικ.31:** 1. Εγκοπή 2. Χείλος 3. Σακούλα σκόνης

3. Ευθυγραμμίστε την οπή της σακούλας φίλτρου με το στόμιο εύκαμπτου σωλήνα και στρώστε το χαρτονένιο τμήμα μέχρι το άκρο. Βεβαιωθείτε ότι ο ελαστικός

δακτύλιος στη σακούλα φίλτρου περνάει πάνω από το χείλος στο στόμιο εύκαμπτου σωλήνα.

► **Εικ.32:** 1. Λαστιχένιος δακτύλιος στη σακούλα φίλτρου 2. Χείλος στο στόμιο εύκαμπτου σωλήνα 3. Χαρτονένιο τμήμα της σακούλας φίλτρου 4. Στόμιο εύκαμπτου σωλήνα

4. Ασφαλίστε καλά το μπροστινό κάλυμμα.

**ΠΡΟΣΟΧΗ:** Προσέχετε να μην πιάσετε τα δάχτυλά σας όταν γαντζώνετε το μάνδαλο, καθώς και όταν κλείνετε το μπροστινό κάλυμμα.

## Κάλυμμα εξάρτησης

### Προαιρετικό εξάρτημα

Όταν χρησιμοποιείτε το κάλυμμα εξάρτησης, ακολουθήστε την παρακάτω διαδικασία για να το προσαρτήσετε.

**ΠΑΡΑΤΗΡΗΣΗ:** Όταν τοποθετείτε το κάλυμμα εξάρτησης, μην μπερδέψετε το μπροστινό και πίσω μέρος του καλύμματος εξάρτησης.

**ΠΑΡΑΤΗΡΗΣΗ:** Το κάλυμμα εξάρτησης μπορεί να πλυθεί. Ακολουθήστε τις οδηγίες πλύσης στην ετικέτα.

► **Εικ.33**

1. Απλώστε το κάλυμμα εξάρτησης πάνω στην εξάρτηση.

► **Εικ.34**

2. Ασφαλίστε τους ιμάντες ώμου της εξάρτησης με τους συνδετήρες βρόχου και γάντζου του καλύμματος εξάρτησης. Γαντζώστε τον ιμάντα του καλύμματος εξάρτησης στην εξάρτηση.

► **Εικ.35**

## ΛΕΙΤΟΥΡΓΙΑ

**ΠΡΟΕΙΔΟΠΟΙΗΣΗ:** Στους χειριστές θα πρέπει να δοθούν επαρκείς οδηγίες για τη χρήση της μηχανής αναρρόφησης.

**ΠΡΟΕΙΔΟΠΟΙΗΣΗ:** Αυτή η μηχανή αναρρόφησης δεν είναι κατάλληλη για τη συλλογή επικίνδυνης σκόνης.

**ΠΡΟΣΟΧΗ:** Αυτή η μηχανή προορίζεται μόνο για στεγνή χρήση.

**ΠΡΟΣΟΧΗ:** Κατά τη λειτουργία, έχετε το νου σας στη μηχανή αναρρόφησης στην πλάτη σας. Μπορεί να χάσετε την ισορροπία σας αν το κύριο τμήμα της μηχανής αναρρόφησης χτυπήσει επάνω σε τοίχο ή ο εύκαμπτος σωλήνας γαντζωθεί από εμπόδια.

1. Τοποθετήστε το κύριο τμήμα της μηχανής αναρρόφησης στους ώμους σας και δέστε την άνω και κάτω ζώνη. Ρυθμίστε το βαθμό σφιξίματος όπως απαιτείται.

► **Εικ.36**

2. Πατήστε το κουμπί ① για να ξεκινήσει η αναρρόφηση. Αν θέλετε να αλλάξετε την ισχύ αναρρόφησης, πατήστε το κουμπί ② μέχρι να επιλεγεί η επιθυμητή ισχύς αναρρόφησης. Πατήστε το κουμπί ① για

διακοπή.

► **Εικ.37**

Κατά τη λειτουργία, γαντζώστε το κουτί διακοπών στο δακτύλιο σχήματος D ή στο εξάρτημα ανάρτησης της κάτω ζώνης. Ο γάντζος μπορεί να βρίσκεται υπό κλίση για να φωτίζεται προς τα μπροστά όταν είναι γαντζωμένος στο εξάρτημα ανάρτησης.

► **Εικ.38:** 1. Δακτύλιος σχήματος D 2. Εξάρτημα ανάρτησης

3. Αντικαταστήστε τη σακούλα φίλτρου όταν γεμίσει. Ανοίξτε το μπροστινό κάλυμμα και βγάλτε τη σακούλα φίλτρου. Τραβήξτε τη λωρίδα στην πλευρά του ανοίγματος για να κλείσετε τη σακούλα φίλτρου και απορρίψτε ολόκληρη τη σακούλα φίλτρου.

► **Εικ.39:** 1. Λωρίδα

Όταν χρησιμοποιείτε μια σακούλα σκόνης, βγάλτε τη σακούλα σκόνης και απορρίψτε τη σκόνη αποδεσμεύοντας το μάνδαλο.

► **Εικ.40:** 1. Μάνδαλο

**ΕΙΔΟΠΟΙΗΣΗ:** Μην τοποθετείτε τη σακούλα φίλτρου/σακούλα σκόνης ή άλλα βαριά αντικείμενα επάνω στο μπροστινό κάλυμμα. Η συσκευή μπορεί να πέσει.

**ΕΙΔΟΠΟΙΗΣΗ:** Να ελέγχετε περιοδικά τη σακούλα φίλτρου για να δείτε αν το φίλτρο είναι γεμάτο ή όχι. Η συνεχόμενη χρήση με γεμάτη σακούλα φίλτρου θα έχει ως αποτέλεσμα μειωμένη ισχύ αναρρόφησης.

**ΕΙΔΟΠΟΙΗΣΗ:** Μη χρησιμοποιείτε μια χρησιμοποιημένη σακούλα φίλτρου. Η σακούλα φίλτρου έχει σχεδιαστεί για μία χρήση. Αν χρησιμοποιείτε τη σακούλα φίλτρου επανειλημμένα, μπορεί να προκληθεί φράξιμο του φίλτρου και ζημιά στη μηχανή. Αν θέλετε να χρησιμοποιήσετε τη σακούλα επανειλημμένα, να χρησιμοποιείτε σακούλα σκόνης.

## ΣΥΝΤΗΡΗΣΗ

**ΠΡΟΣΟΧΗ:** Πάντα να βεβαιώνετε ότι η συσκευή είναι απενεργοποιημένη και η κασέτα μπαταριών έχει αφαιρεθεί πριν επιχειρήσετε να εκτελέσετε εργασίες επιθεώρησης ή συντήρησης.

**ΕΙΔΟΠΟΙΗΣΗ:** Μην χρησιμοποιείτε ποτέ βενζίνη, πετρελαϊκό αιθέρα, διαλυτικό, αλκοόλη ή παρόμοιες ουσίες. Μπορεί να προκληθεί αποχρωματισμός, παραμόρφωση ή ρωγμές.

Για τη διατήρηση της ΑΣΦΑΛΕΙΑΣ και ΑΞΙΟΠΙΣΤΙΑΣ του προϊόντος, οι επισκευές και οποιαδήποτε άλλη εργασία συντήρησης ή ρύθμισης πρέπει να εκτελούνται από εξουσιοδοτημένα ή εργοστασιακά κέντρα εξυπηρέτησης της Makita, χρησιμοποιώντας πάντοτε ανταλλακτικά της Makita.

## Καθαρισμός του φίλτρου HEPA

**⚠ ΠΡΟΣΟΧΗ:** Μη χρησιμοποιείτε τη μηχανή αναρρόφησης χωρίς φίλτρο και μη συνεχίζετε να χρησιμοποιείτε βρόμικο ή κατεστραμμένο φίλτρο. Η σκόνη ή τα σωματίδια που αναρροφήθηκαν μπορούν να εξέλθουν από τη μηχανή και μπορεί να προκαλέσουν αναπνευστική ασθένεια στο χειριστή.

**ΕΙΔΟΠΟΙΗΣΗ:** Για να διατηρήσετε βέλτιστη ισχύ αναρρόφησης και καθαρή εξάτμιση, να καθαρίζετε περιοδικά το φίλτρο. Αν δεν υπάρχουν αρκετή ισχύς αναρρόφησης ακόμη και μετά τον καθαρισμό, αντικαταστήστε το φίλτρο με ένα καινούριο.

**ΕΙΔΟΠΟΙΗΣΗ:** Για να αποφευχθεί η πρόκληση ζημιών στο φίλτρο, μη χρησιμοποιείτε τα ακόλουθα εργαλεία και παρόμοια αντικείμενα για τον καθαρισμό:

- Φυσητήρας σκόνης
- Πλιστικό μηχάνημα υψηλής πίεσης
- Εργαλεία που είναι κατασκευασμένα από σκληρά υλικά όπως μια συρμάτινη βούρτσα

1. Ανοίξτε το μπροστινό κάλυμμα και βγάλτε τη σακούλα φίλτρου/σακούλα σκόνης. Αποδεδεψεύστε τον γάντζο στο φίλτρο και αφαιρέστε το από το κύριο τμήμα της μηχανής αναρρόφησης.

▶ **Εικ.41:** 1. Γάντζος 2. Φίλτρο HEPA

2. Κτυπήστε τη σκόνη για να απομακρυνθεί από το φίλτρο. Το φίλτρο μπορεί να πλυθεί με νερό. Ξεπλύνετε τη σκόνη και τα σωματίδια στο φίλτρο κάθε 1 έως 2 μήνες. Μετά από αυτό, στεγνώστε το φίλτρο εντελώς σε ένα σκιερό και καλά αεριζόμενο χώρο για να αποφευχθούν οι δυσάρεστες οσμές ή δυσλειτουργίες.

3. Για να τοποθετήσετε το φίλτρο, εισαγάγετε την πλευρά χωρίς τους γάντζους μέσα στην εγκοπή και μετά σπρώξτε μέσα το φίλτρο μέχρι οι γάντζοι να ασφαλιστούν με έναν χαρακτηριστικό ήχο ασφάλισης.

▶ **Εικ.42:** 1. Εγκοπή 2. Φίλτρο HEPA 3. Γάντζος

## Καθαρισμός του σπογγώδους φίλτρου

**⚠ ΠΡΟΣΟΧΗ:** Μετά τον καθαρισμό των σπογγωδών φίλτρων, βεβαιωθείτε να τα τοποθετήσετε στη μηχανή αναρρόφησης. Αν πλυθούν σε νερό, στεγνώστε τις σχολαστικά πριν την τοποθέτηση. Σπογγώδη φίλτρα που δεν είναι απολύτως στεγνά ενδέχεται να προκαλέσουν μείωση της διάρκειας ζωής του μοτέρ.

Τα σπογγώδη φίλτρα κάτω από το φίλτρο HEPA αποτρέπουν την είσοδο της σκόνης στο μοτέρ.

1. Αφαιρέστε τα σπογγώδη φίλτρα από τη μηχανή αναρρόφησης.

▶ **Εικ.43:** 1. Σπογγώδες φίλτρο

2. Σκουπίστε και ανακινήστε τα σπογγώδη φίλτρα με το χέρι για να απομακρύνετε τη σκόνη. Όταν τα σπογγώδη φίλτρα είναι φραγμένα, πλύνετε τα με σαπουνόνερο.

▶ **Εικ.44**

3. Τοποθετήστε τα σπογγώδη φίλτρα στην αρχική τους θέση.

## Καθαρισμός της σακούλας σκόνης

Να καθαρίζετε τακτικά τη σακούλα σκόνης με σαπούνι και νερό. Γυρίστε το μέσα-έξω της σακούλας σκόνης και απομακρύνετε τη σκόνη που έχει κολλήσει σε αυτή. Πλύντε ελαφρά με το χέρι και ξεβγάλετε καλά με νερό. Στεγνώστε εντελώς πριν την τοποθετήσετε στη μηχανή αναρρόφησης.

▶ **Εικ.45**

**ΕΙΔΟΠΟΙΗΣΗ:** Μια βρεγμένη σακούλα σκόνης μειώνει την απόδοση αναρρόφησης καθώς και τη διάρκεια ζωής του μοτέρ.

## Καθαρισμός του φραξίματος

Όταν καθαρίζετε το φράξιμο, βγάλτε τον εύκαμπτο σωλήνα ή τη ράβδος προέκτασης, ή τη διάταξη λυγισμένου σωλήνα για να ελέγξετε το εσωτερικό. Ανατρέξτε στην ενότητα για την προσάρτηση της διάταξης λυγισμένου σωλήνα.

## Καθαρισμός του δωματίου για τη σακούλα φίλτρου/σακούλα σκόνης

Αυτή η συσκευή είναι εξοπλισμένη με σύστημα κτυπήματος σκόνης. Καθώς περπατάτε ενώ μεταφέρετε τη μηχανή, τα ελατήρια κάτω από την πλάκα δονούν την πλάκα και ανακινούν τη σακούλα φίλτρου/σακούλα σκόνης ώστε να απομακρυνθεί η σκόνη.

Όταν καθαρίζετε το διαμέρισμα για τη σακούλα φίλτρου/σακούλα σκόνης, αφαιρέστε και σκουπίστε την πλάκα που βρίσκεται στο εσωτερικό.

▶ **Εικ.46:** 1. Πλάκα

## Αφαίρεση της πλάκας

1. Αφαιρέστε το φίλτρο HEPA. Για τον τρόπο αφαίρεσης, ανατρέξτε στην ενότητα για τον καθαρισμό του φίλτρου HEPA.

2. Σπρώξτε την πλάκα προς τα κάτω και σύρετέ την προς τα αριστερά μέχρι η πλάκα να ακουμπήσει το τοίχωμα.

3. Σηκώστε τη δεξιά πλευρά της πλάκας και βγάλτε την.

▶ **Εικ.47:** 1. Πλάκα

Η πλάκα στηρίζεται από τρία ελατήρια.

Αν τα ελατήρια βγουν από τις προεξοχές, συνδέστε τα ξανά όπως απεικονίζεται.

▶ **Εικ.48:** 1. Μακρύ ελατήριο 2. Κοντό ελατήριο 3. Προεξοχή

**ΠΑΡΑΤΗΡΗΣΗ:** Συνδέστε τα ελατήρια με ασφαλεία ώστε τα ελατήρια να αγγίζουν τη βάση των προεξοχών.

## Σύνδεση της πλάκας

1. Εισαγάγετε την ίσια πλευρά της πλάκας στα πιαστηράκια στην κάτω αριστερή πλευρά του διαμερίσματος.

2. Τοποθετήστε τη δεξιά πλευρά της πλάκας στη

θέση της.

► **Εικ.49:** 1. Πλάκα 2. Ίσια πλευρά 3. Πιαστηράκι

## ΠΡΟΣΑΡΤΗΜΑ ΚΥΚΛΩΝΑ

### Προαιρετικό εξάρτημα

**ΠΑΡΑΤΗΡΗΣΗ:** Όταν χρησιμοποιείται το προσάρτημα κυκλώνα με αυτή τη συσκευή, ο λυγισμένος σωλήνας επίσης απαιτείται.

► **Εικ.50:** 1. Προσάρτημα κυκλώνα

### Πληροφορίες για το προσάρτημα κυκλώνα

Αν χρησιμοποιείτε τη σκούπα με τοποθετημένο το προσάρτημα κυκλώνα, μειώνεται η ποσότητα της σκόνης που εισέρχεται στη σακούλα σκόνης, γεγονός που βοηθάει ώστε να μην εξασθενεί η αναρροφητική ισχύς. Επιπλέον, ο καθαρισμός μετά τη χρήση είναι επίσης απλός.

**▲ ΠΡΟΣΟΧΗ:** Να βεβαιώνετε πάντα ότι το εργαλείο είναι απενεργοποιημένο και η κασέτα μπαταριών έχει αφαιρεθεί πριν εκτελέσετε οποιαδήποτε εργασία στο εργαλείο. Αν η κασέτα μπαταριών παραμένει τοποθετημένη, η σκούπα μπορεί να εκκινήσει απρόσμενα και να προκληθεί τραυματισμός.

**▲ ΠΡΟΣΟΧΗ:** Καθαρίστε το κυψελωτό φίλτρο του προσαρτήματος κυκλώνα και τη σακούλα σκόνης της σκούπας όταν φράξουν. Η συνεχιζόμενη χρήση σε φραγμένη κατάσταση μπορεί να έχει ως αποτέλεσμα τη θέρμανση ή τη δημιουργία καπνού.

**ΕΙΔΟΠΟΙΗΣΗ:** Όταν είναι τοποθετημένο το προσάρτημα κυκλώνα, μη χρησιμοποιείτε το προσάρτημα κυκλώνα σε οριζόντια ή ανοδικά στραμμένη κατάσταση. Αν το κάνετε αυτό, το κυψελωτό φίλτρο μπορεί να φράξει.

**ΕΙΔΟΠΟΙΗΣΗ:** Να χρησιμοποιείτε πάντα τη σκούπα με τοποθετημένη σακούλα σκόνης, ακόμη και όταν χρησιμοποιείτε το προσάρτημα κυκλώνα. Αν χρησιμοποιήσετε τη σκούπα χωρίς τοποθετημένη σακούλα σκόνης, μπορεί να έχει ως αποτέλεσμα δυσλειτουργία του μοτέρ.

**ΠΑΡΑΤΗΡΗΣΗ:** Να ελέγχετε ότι το προσάρτημα κυκλώνα, η σκούπα και ο ίσιος σωλήνας είναι σωστά ασφαλισμένα πριν από τη χρήση.

**ΠΑΡΑΤΗΡΗΣΗ:** Αδειάστε τη θήκη σκόνης του προσαρτήματος κυκλώνα και τη σακούλα σκόνης της σκούπας όταν συσσωρευτεί σκόνη. Η συνεχιζόμενη χρήση θα έχει ως αποτέλεσμα εξασθενημένη αναρροφητική ισχύ.

**ΠΑΡΑΤΗΡΗΣΗ:** Μπορείτε να χρησιμοποιήσετε το προσάρτημα κυκλώνα με ή χωρίς τη λειτουργία ασφάλισης.

**ΠΑΡΑΤΗΡΗΣΗ:** Για την εγκατάσταση ή αφαίρεση του προσαρτήματος κυκλώνα, ανατρέξτε στην παράγραφο «Όταν χρησιμοποιείται ως μηχανή αναρρόφησης».

## Απόρριψη σκόνης

Όταν έχει συσσωρευτεί σκόνη μέχρι τη γραμμή πληρότητας της θήκης σκόνης, ακολουθήστε την παρακάτω διαδικασία και απορρίψτε τη σκόνη.

1. Κρατήστε τη θήκη σκόνης καλά, πατήστε παρατεταμένα τα δύο κουμπιά και αφαιρέστε τη θήκη σκόνης.

► **Εικ.51:** 1. Γραμμή πληρότητας 2. Θήκη σκόνης 3. Κουμπιά (δύο τοποθεσίες) 4. Κυψελωτό φίλτρο

2. Απορρίψτε τη σκόνη στο εσωτερικό της θήκης σκόνης και αφαιρέστε τυχόν σκόνη και πούδρα που έχει προσκολληθεί στην επιφάνεια του κυψελωτού φίλτρου.

3. Εισαγάγετε τη θήκη σκόνης μέχρι τέρμα μέχρι τα δύο κουμπιά να ασφαλίσουν με έναν χαρακτηριστικό ήχο «κλικ».

► **Εικ.52:** 1. Θήκη σκόνης 2. Κουμπιά (δύο τοποθεσίες)

**ΠΑΡΑΤΗΡΗΣΗ:** Ελέγξτε ότι το προσάρτημα κυκλώνα, η σκούπα και ο ίσιος σωλήνας είναι σωστά ασφαλισμένα πριν ξεκινήσετε ξανά τη λειτουργία.

**ΠΑΡΑΤΗΡΗΣΗ:** Αν η αναρροφητική ισχύς δεν ανακτηθεί ακόμη και μετά την απόρριψη της σκόνης και τον καθαρισμό του κυψελωτού φίλτρου, ελέγξτε αν έχει συσσωρευτεί σκόνη στη σακούλα σκόνης της σκούπας ή αν συνέβη φράξιμο.

## Καθαρισμός

Όταν η θήκη σκόνης βρομίσει ή το κυψελωτό φίλτρο φράξει, αφαιρέστε και πλύντε τα με νερό. (Ανατρέξτε στην παράγραφο «Απόρριψη σκόνης» για τη διαδικασία αφαίρεσης.)

Στεγνώστε πολύ καλά τα εξαρτήματα πριν τα τοποθετήσετε ξανά και τα χρησιμοποιήσετε.

► **Εικ.53:** 1. Θήκη σκόνης 2. Κυψελωτό φίλτρο

Όταν το κυψελωτό φίλτρο βρομίσει πάρα πολύ, καθαρίστε το σύμφωνα με τις ακόλουθες διαδικασίες.

1. Περιστρέψτε το κυψελωτό φίλτρο αριστερόστροφα και αφαιρέστε το ενώ οι γάντζοι είναι απασφαλισμένοι.

► **Εικ.54:** 1. Κυψελωτό φίλτρο 2. Γάντζος

2. Αφαιρέστε τη σκόνη από το κυψελωτό φίλτρο και, στη συνέχεια, πλύντε το με νερό. Μετά, στεγνώστε το πολύ καλά.

3. Εισαγάγετε το κυψελωτό φίλτρο μέσα στη βάση ενώ οι γάντζοι είναι ευθυγραμμισμένοι με τη θύρα. Περιστρέψτε το κυψελωτό φίλτρο δεξιόστροφα μέχρι οι γάντζοι να ασφαλίσουν με έναν χαρακτηριστικό ήχο «κλικ». Βεβαιωθείτε ότι το κυψελωτό φίλτρο είναι τοποθετημένο με ασφάλεια.

► **Εικ.55:** 1. Κυψελωτό φίλτρο 2. Γάντζος 3. Θύρα

# ΠΡΟΑΙΡΕΤΙΚΑ ΕΞΑΡΤΗΜΑΤΑ

**⚠ ΠΡΟΣΟΧΗ:** Αυτά τα εξαρτήματα ή προσαρτήματα συνιστώνται για χρήση με το προϊόν Makita σας που περιγράφεται στο εγχειρίδιο αυτό. Η χρήση άλλων εξαρτημάτων ή προσαρτημάτων μπορεί να παρουσιάσει κίνδυνο για τραυματισμό ατόμων. Να χρησιμοποιείτε τα εξαρτήματα ή προσαρτήματα μόνο για τη χρήση που προορίζονται.

Μερικά εξαρτήματα μπορεί να μην είναι δυνατόν να εγκατασταθούν ανάλογα με τον συνδυασμό μερών. Εάν χρειάζεστε οποιαδήποτε βοήθεια για περισσότερες πληροφορίες σε σχέση με αυτά τα εξαρτήματα, αποταθείτε στο τοπικό σας κέντρο εξυπηρέτησης Makita.

- Εύκαμπτος σωλήνας (για τον τύπο μηχανής αναρρόφησης)
- Εύκαμπτος σωλήνας (για τον τύπο απαγωγής σκόνης)
- Ράβδος προέκτασης
- Εύκαμπτο ελαστικό ακροφύσιο
- Ακροφύσιο σχήματος T
- Ακροφύσιο έδρας
- Ακροφύσιο γωνιών
- Βούρτσα ραφιών
- Στρογγυλή βούρτσα
- Διάταξη λυγισμένου σωλήνα
- Σακούλα φίλτρου
- Σακούλα σκόνης
- Μπροστινό στόμιο
- Φίλτρο HEPA
- Σωλήνας
- Κάλυμμα εξάρτυσης
- Προσάρτημα κυκλώνα
- Γνήσια μπαταρία και φορτιστής της Makita

**ΠΑΡΑΤΗΡΗΣΗ:** Μερικά στοιχεία στη λίστα μπορεί να συμπεριλαμβάνονται στη συσκευασία εργαλείου ως στάνταρ εξαρτήματα. Μπορεί να διαφέρουν ανάλογα με τη χώρα.

## UYARI

- Bu makine fiziksel, duyuşsal ya da zihinsel yetenekleri kısıtlı olan veya deneyim ya da bilgileri olmayan kişiler ve çocuklar tarafından kullanıma uygun değildir.
- Süpürge ile oynamadıklarından emin olmak için çocuklar kontrol altında bulundurulmalıdır.
- Bataryanın tip referansı için "TEKNİK ÖZELLİKLER" bölümüne bakın.
- Bataryanın nasıl çıkarılacağı veya takılacağı ile ilgili olarak "Batarya kartuşunun takılması veya çıkartılması" kısmına bakın.
- Batarya kartuşunu bertaraf ederken aletten çıkarın ve güvenli bir yerde bertaraf edin. Bataryanın bertaraf edilmesi ile ilgili yerel düzenlemelere uyun.
- Alet uzun süre kullanılmayacaksa batarya aletten çıkarılmalıdır.
- Batarya kartuşunu kısa devre yapmayın.
- Kullanıcı bakımı sırasındaki uygun önlem bilgileri için "BAKIM" bölümüne bakın.

## TEKNİK ÖZELLİKLER

Model:		VC011G
Kapasite	Filtre torbası	6,0 L
	Toz torbası	5,5 L
Maksimum hava hacmi (ø32 mm x 1,0 m hortumla)		2,4 m <sup>3</sup> /dak
Vakum		20 kPa
Boyutlar (U x G x Y) (askı hariç, BL4050F ile)		336 mm x 185 mm x 543 mm
Nominal voltaj		D.C. 36 V - 40 V maks.
Net ağırlık		6,4 - 9,5 kg

- Sürekli yapılan araştırma ve geliştirmelerden dolayı, burada belirtilen özellikler önceden bildirilmeksizin değiştirilebilir.
- Teknik özellikler ülkeden ülkeye farklılık gösterebilir.
- Ağırlık, batarya kartuşu/kartuşları hariç aksesuarları içermez. Cihazın ve batarya kartuşunun/kartuşlarının en hafif ve en ağır birleşik ağırlığı tabloda gösterilmiştir.
- Verilen hortumun uzunluğu ülkelere göre değişir.

## Geçerli batarya kartuşu ve şarj aleti

Batarya kartuşu	BL4020 / BL4025 / BL4040 / BL4040F / BL4050F / BL4080F
Şarj aleti	DC40RA / DC40RB / DC40RC / DC40WA

- Yukarıda listelenen batarya kartuşlarının ve şarj aletlerinin bazıları yaşadığınız bölgeye bağlı olarak mevcut olmayabilir.

**UYARI:** Sadece yukarıda listelenen batarya kartuşlarını ve şarj aletlerini kullanın. Başka batarya kartuşlarının ve şarj aletlerinin kullanılması yaralanma ve/veya yangına neden olabilir.

**UYARI:** Bu cihazla batarya adaptörü veya taşınabilir güç ünitesi gibi kablolu güç kaynağı kullanmayın. Bu tür güç kaynaklarının kablosu çalışmayı engelleyebilir ve yaralanmaya neden olabilir.

## Semboller

Ekipmanı için kullanılabilecek semboller aşağıda gösterilmiştir. Kullanmadan önce anlamlarını anladığınızdan emin olun.



El kitabını okuyun.



Çok özenli ve dikkatli kullanın.



Bu ürün için geçerli temsili bir batarya.



Sadece AB ülkeleri için  
Ekipmanda tehlikeli bileşenler bulunduğundan dolayı atık elektrikli ve elektronik ekipmanlar, aküler ve bataryalar çevre ve insan sağlığı üzerinde olumsuz etkiye yol açabilir.

Elektrikli ve elektronik cihazları veya bataryaları evsel atıklarla birlikte atmayın!  
Atık elektrikli ve elektronik ekipmanlar ile akümülatörler ve bataryalar hakkındaki Avrupa Direktifi ve söz konusu direktifin ulusal yasalara uyarlanması gereğince atık elektrikli ekipmanlar, bataryalar ve akümülatörler ayrı olarak depolanmalı ve çevre koruma hakkındaki mevzuata uygun olarak faaliyet gösteren ayrı bir kentsel atık toplama noktasına teslim edilmelidir.  
Bu husus, ekipmanın üzerine yerleştirilmiş üzerinde çarpı işareti bulunan tekerlekli çöp kovası simgesi ile belirtilmiştir.

## Kullanım amacı

Bu cihaz kuru tozları toplamak amacıyla kullanılır. Cihaz; oteller, okullar, hastaneler, fabrikalar, dükkanlar, ofisler ve kiralama hizmetleri gibi ticari kullanımlar için uygundur.

## Gürültü

Tipik A-ağırlıklı gürültü düzeyi (EN60335-2-69 standardına göre belirlenen):

Ses basınç seviyesi ( $L_{pA}$ ): 70 dB (A) veya daha az  
Belirsizlik (K): 2,5 dB (A)

İşlem sırasında gürültü seviyesi 80 dB (A)'yi geçebilir.

**NOT:** Beyan edilen gürültü emisyonu değer(ler)i bir standart test yöntemine uygun şekilde ölçülmüştür ve bir aleti bir başkasıyla karşılaştırmak için kullanılabilir.

**NOT:** Beyan edilen gürültü emisyonu değer(ler)i bir ön maruz kalma değerlendirmesi olarak da kullanılabilir.

**UYARI:** Kulak koruyucuları takın.

**UYARI:** Elektrikli aletin gerçek kullanımı sırasındaki gürültü emisyonu, aletin kullanımı biçimlerine, özellikle işlenen iş parçasının türüne bağlı olarak beyan edilen değer(ler)den farklı olabilir.

**UYARI:** Gerçek kullanım koşullarındaki tahmini maruziyeti baz alan, operatörü koruyacak güvenlik önlemlerini mutlaka belirleyin (çalışma döngüsü içerisinde aletin kapalı olduğu ve aktif durumda olmasının yanı sıra boşta çalıştığı zamanlar gibi, bütün zaman dilimleri göz önünde bulundurarak).

## Titreşim

Titreşim toplam değeri (Üç eksenli vektör toplamı) (EN60335-2-69 standardına göre hesaplanan):

Çalışma modu: yüksüz çalışma  
Titreşim emisyonu ( $a_{h2}$ ): 2,5 m/s<sup>2</sup> den az  
Belirsizlik (K) : 1,5 m/s<sup>2</sup>

**NOT:** Beyan edilen titreşim toplam değer(ler)i bir standart test yöntemine uygun şekilde ölçülmüştür ve bir aleti bir başkasıyla karşılaştırmak için kullanılabilir.

**NOT:** Beyan edilen titreşim toplam değer(ler)i bir ön maruz kalma değerlendirmesi olarak da kullanılabilir.

**UYARI:** Elektrikli aletin gerçek kullanımı sırasındaki titreşim emisyonu, aletin kullanımı biçimlerine, özellikle işlenen iş parçasının türüne bağlı olarak beyan edilen değer(ler)den farklı olabilir.

**UYARI:** Gerçek kullanım koşullarındaki tahmini maruziyeti baz alan, operatörü koruyacak güvenlik önlemlerini mutlaka belirleyin (çalışma döngüsü içerisinde aletin kapalı olduğu ve aktif durumda olmasının yanı sıra boşta çalıştığı zamanlar gibi, bütün zaman dilimleri göz önünde bulundurarak).

## Uygunluk Beyanları

*Sadece Avrupa ülkeleri için*

Uygunluk beyanları bu kullanma kılavuzuna Ek A olarak eklenmiştir.

## GÜVENLİK UYARILARI

### Akülü süpürgesi güvenlik uyarıları

**UYARI: ÖNEMLİ! KULLANMADAN ÖNCE tüm güvenlik uyarılarını ve tüm talimatları DİKKATLE OKUYUN.** Uyarılara ve talimatlara uyulmaması elektrik şoku, yangın ve/veya ciddi yaralanmalar ile sonuçlanabilir.

1. Kullanmadan önce, bu süpürgeyi kullanacak kişilerin bu süpürgeyi kullanımı konusunda yeterince bilgilendirildiğinden emin olun.
2. Süpürgeyi filtresiz kullanmayın. Hasarlı filtreyi hemen değiştirin.
3. Yanıcı malzemeleri, havai fişekleri, yanan sigaraları, sıcak külleri, sıcak metal parçaları; jilet, iğne, kırık cam vb. keskin malzemeleri süpürgeyle çekmeye çalışmayın.
4. SÜPÜRGEYİ ASLA BENZİN, GAZ, BOYA, YAPIŞTIRICILAR YA DA DİĞER YÜKSEK ORANDA PATLAYICI ÖZELLİĞİ OLAN MADDELERİN YAKININDA KULLANMAYIN. AÇMA ve KAPAMA sırasında anahardan kıvcım çıkar. Kullanım sırasında motor kolektöründen de kıvcım çıkar. Ciddi bir patlama meydana gelebilir.
5. Bu süpürge tehlikeli tozları toplamak için uygun değildir.
6. Asbest, arsenik, baryum, berilyum, kurşun, pestisitler gibi zehirli, kanserojen, yanıcı veya diğer tehlikeli maddeleri veya sağlığa zararlı maddeleri süpürgeyle çekmeyin.
7. Süpürgeyi yağmurlu havalarda dışarıda asla kullanmayın.
8. Finlandiya için bu makine düşük sıcaklıkta dış mekanlarda kullanılmamalıdır.

9. Isı kaynaklarının yakınında kullanmayın (ocak vb.).
10. Soğutma kanallarını kapatmayın. Bu kanallar motorun soğumasını sağlar. Kanalların kapatılmasından dikkatle kaçınılmalıdır, aksi takdirde yetersiz havalandırma nedeniyle motor yanar.
11. Her zaman yere sağlam basın ve dengeyi koruyun.
12. Hortumu katlamayın, çekiştirmeyin veya üzerine basmayın.
13. Kullanım sırasında performansta zayıflama ya da normal olmayan herhangi bir durum tespit ettiğinizde süpürgeyi derhal durdurun.
14. **BATARYALARI ÇIKARIN.** Kullanılmadığında, servis işlemlerinden önce ve aksesuarları değiştirirken.
15. Süpürgeyi en iyi kullanım koşullarında tutmak için her kullanımdan sonra süpürgeyi derhal temizleyin ve bakımını yapın.
16. **SÜPÜRGENİN BAKIMINI DİKKATLİ BİR ŞEKİLDE YAPIN.** Daha iyi ve güvenli performans için süpürgeyi temiz tutun. Aksesuarların değiştirilmesi için talimatlara uyun. Tutamakları kuru, temiz ve yağ ve gres bulaşmamış halde bulundurun.
17. **HASARLI PARÇALARI KONTROL EDİN.** Süpürgeyi kullanmaya devam etmeden önce, hasar görmüş siper ya da başka bir parça, uygun şekilde çalışıp çalışmayacağını ve amaçlanan işlevi görüp göremeyeceğini belirlemek amacıyla, dikkatli bir şekilde kontrol edilmelidir. Hareketli parçaların hizalanmalarını, bağlantılarını, parçalardaki kırıkları, montajlarını ve işleyişi etkileyebilecek başka durumları kontrol edin. Hasar görmüş siper ya da başka bir parça, bu kullanım kılavuzunda başka bir yer belirtilmediği sürece yetkili bir servis merkezi tarafından onarılmalı ya da değiştirilmelidir. Arızalı anahtarları yetkili servis merkezinde değiştirin. Anahtar süpürgeyi açıp kapatmıyorsa süpürgeyi kullanmayın.
18. **YEDEK PARÇALAR.** Servis için sadece aynı yedek parçaları kullanın.
19. Kullanılmadığında süpürgeyi her zaman iç mekanlarda saklayın.
20. Süpürgenizi özenle kullanın. Kaba kullanım en sağlam yapıli süpürgenin bile kırılmasına neden olabilir.
21. İcini ya da dışını benzin, tiner veya temizleyici kimyasallarla temizlemeye çalışmayın. Çatlaklar ya da renk değişiklikleri oluşabilir.
22. Yağ bazlı boya, boya inceltici, benzin, bazı güve yemez maddeler vb.den yanicı, patlayıcı veya zehirli buharlar çıkan kapalı ortamlarda veya yanicı tozların mevcut olduğu alanlarda süpürgeyi kullanmayın.
23. Süpürgeyi alkol veya ilaçların etkisi altında kullanmayın.
24. Temel bir güvenlik kuralı olarak güvenlik gözlükleri veya kenar siperli güvenlik gözlükleri kullanın.
25. Tozlu çalışma koşullarında bir toz maskesi kullanın.
26. Bataryayı/bataryaları ve süpürgeyi asla ıslak

elle ellemeyin.

27. **Merdivenlerde temizlik yaparken çok dikkatli olun.**
28. **Süpürgeyi basamak ya da çalışma tezgahı olarak kullanmayın.** Makine devrilebilir ve kişisel yaralanmaya neden olabilir.
29. **Aletlerin sık kullanımından kaynaklanan aşınalık duygusunun rahat davranmanıza ve aletin güvenlik ilkelerini göz ardı etmenize neden olmasına izin vermeyin.** Bir an için dikkatsiz bir harekette bulunmak ciddi yaralanmalara neden olabilir.

#### **Bataryalı aletin kullanımı ve bakımı**

1. **Sadece üretici tarafından belirtilen şarj aleti ile şarj edin.** Bir batarya kutusu için uygun olan şarj cihazı başka bir batarya kutusu ile kullanıldığında yangın riski oluşturabilir.
2. **Elektrikli aletleri sadece özel olarak belirtilen batarya kutuları ile kullanın.** Başka batarya kutularının kullanımı yaralanma ve yangın riski oluşturabilir.
3. **Batarya kutusu kullanılmadığında; iki terminal arasında bağlantı kurulmasına sebep olabilecek ataç, bozuk para, anahtar, çivi, vida gibi metal nesnelere ya da küçük metal objelerden uzak tutun.** Batarya terminallerine kısa devre yaptırmak yanıklara ya da yangına yol açabilir.
4. **Kötü koşullarda bataryadan sıvı sızabilir; bu sıvıya temas etmeyin. Eğer istemeden bir temas olursa suyla yıkayın. Sıvı göze temas ederse, suyla yıkadıktan sonra tıbbi yardım alın.** Bataryadan çıkan sıvı tahrişe ya da yanıklara neden olabilir.
5. **Batarya kutusu ya da alet hasar görmüşse ya da üzerinde değişiklik yapılmışsa batarya kutusunu kullanmayın.** Hasar görmüş ya da üzerinde değişiklik yapılmış batarya kutuları yangın, patlama ya da yaralanma riski ile sonuçlanan beklenmedik davranışlar sergileyebilir.
6. **Batarya kutusunu veya aleti ateşe ya da aşırı sıcaklıklara maruz bırakmayın.** Ateşe ya da 130 °C'nin üzerindeki sıcaklıklara maruz bırakmak patlamaya neden olabilir.
7. **Tüm şarj talimatlarına uyun ve batarya kutusunu ya da aleti yönergelerde belirtilen sıcaklık aralığının dışındaki sıcaklıklarda şarj etmeyin.** Uygun olmayan bir şekilde ya da belirtilen sıcaklık aralığının dışında şarj etmek bataryaya zarar verebilir ve yangın riskini artırabilir.

#### **Servis**

1. **Elektrikli aletinizin nitelikli bir onarım elemanı tarafından orijinal parçaları kullanılarak servis verilmesini sağlayın.** Bu, elektrikli aletin güvenli kalmasını temin eder.
2. **Hasarlı batarya kutularını asla tamir etmeye çalışmayın.** Batarya kutularının tamiri sadece üretici veya yetkili servis sağlayıcıları tarafından yapılmalıdır.
3. **Yağlama ve aksesuar değiştirme talimatlarına uyun.**
4. **Tutamakları kuru, temiz ve yağ ve gres bulaşmamış halde bulundurun.**



## Batarya kartuşu hakkında önemli güvenlik talimatları

1. Batarya kartuşunu kullanmadan önce, tüm talimatları ve (1) batarya kartuşu, (2) batarya ve (3) ürün üzerindeki tüm uyarı işaretlerini okuyun.
  2. Batarya kartuşunu parçalarına ayırmayın veya kurcalamayın. Yangın, aşırı ısı veya patlamaya neden olabilir.
  3. Çalışma süresi aşırı derecede kısalmışsa kullanmayı derhal bırakın. Aşırı ısınma, yanma riski hatta patlamaya neden olabilir.
  4. Gözünüze elektrolit kaçarsa, gözlerinizi temiz suyla durulayın ve hemen tıbbi yardım alın. Görme kaybına yol açabilir.
  5. Batarya kartuşuna kısa devre yaptırmayın:
    - (1) Terminallere herhangi bir iletken madde değdırmeyin.
    - (2) Batarya kartuşunu çiviler, madeni paralar, vb. gibi başka metal nesnelere aynı kaba koymaktan kaçının.
    - (3) Batarya kartuşunu yağmura ya da suya maruz bırakmayın.
- Kısa devre, büyük bir akım akışına, aşırı ısınmaya, olası yanıklara hatta bataryanın bozulmasına yol açabilir.
6. Aleti ve batarya kartuşunu sıcaklığın 50 °C ya da daha yüksekçe ulaştığı yerlerde saklamayın ve kullanmayın.
  7. Aşırı derecede hasar görmüş ya da tamamen kullanılmaz durumda olsa bile batarya kartuşunu yakmayın. Batarya kartuşu ateşe atılırsa patlayabilir.
  8. Batarya kartuşunu çivilemeyin, kesmeyin, ezmeyin, fırlatmayın, düşürmeyin ya da batarya kartuşuna sert bir nesne ile vurmuyun. Bu eylemler yangın, aşırı ısı veya patlamaya neden olabilir.
  9. Hasarlı bataryayı kullanmayın.
  10. Aletin içerdiği lityum-iyon bataryalar Tehlikeli Eşyalar Yönetmeliğinin gereksinimlerine tabidir.

Ticari nakliye işlemleri için, örneğın üçüncü taraflar, nakliye acenteleri tarafından yapılan nakliyelerde, paketleme ve etiketleme gereksinimlerine uyulmalıdır.

Nakliyesi yapılacak ürünün hazırlanması için, tehlikeli maddeler konusunda uzman bir kişiye danışın. Lütfen muhtemelen daha ayrıntılı olan ulusal yönetmeliklere de uyun.

Açık kontakları bantlayın ya da maskeleyin ve bataryayı paketin içinde hareket etmeyecek şekilde paketleyin.
  11. Batarya kartuşunu bertaraf ederken aletten çıkarın ve güvenli bir yerde bertaraf edin. Bataryanın bertaraf edilmesi ile ilgili yerel düzenlemelere uyunuz.
  12. Bataryaları sadece Makita tarafından belirtilen ürünlerle kullanın. Bataryaların uyumsuz ürünlere takılması; yangın, aşırı ısınma, patlama ya da elektrolit sızıtısına neden olabilir.
  13. Alet uzun süre kullanılmıyacaksa batarya aletten çıkarılmalıdır.
  14. Kullanma sırasında ve sonrasında batarya

kartuşu ısınarak yanıklara veya düşük sıcaklık yanıklarına yol açabilir. Sıcak batarya kartuşları ile işlem yaparken dikkat edin.

15. Yanıklara neden olabilecek kadar sıcak olabileceğinden kullandıktan hemen sonra aletin terminaline dokunmayın.
16. Batarya kartuşunun terminallerine, deliklerine ve kanallarına mıcır, toz veya toprak girmesine izin vermeyin. Aletin veya batarya kartuşunun ısınmasına, alev almasına, patlamasına ve arızalanmasına neden olarak yanıklara veya yaralanmaya yol açabilir.
17. Alet yüksek gerilim elektrik güç hatlarında kullanımı desteklemediği sürece batarya kartuşunu yüksek gerilim elektrik güç hatlarının yakınında kullanmayın. Aletin veya batarya kartuşunun arızalanmasına veya bozulmasına neden olabilir.
18. Bataryayı çocuklardan uzak tutun.

## BU TALİMATLARI MUHAFAZA EDİNİZ.

**⚠DİKKAT:** Sadece orijinal Makita bataryalarını kullanın. Orijinal olmayan Makita bataryaları ya da üzerine değışiklik yapılmış bataryaların kullanımı bataryanın patlamasına ve sonuç olarak yangın, kişisel yaralanma ve hasara neden olabilir. Ayrıca Makita aleti ve şarj aletinin Makita tarafından sunulan garantisine de geçersiz olur.

## Maksimum batarya ömrü için ipuçları

1. Batarya kartuşunu tamamen boşalmadan önce şarj edin. Aletin gücünün zayıflamaya başladığını fark ettiğinizde aleti durdurun ve batarya kartuşunu şarj edin.
2. Tam dolu bir batarya kartuşunu asla yeniden şarj etmeyin. Aşırı şarj etme bataryanın hizmet ömrünü kısaltır.
3. Batarya kartuşunu 10 °C - 40 °C oda sıcaklığında şarj edin. Sıcak bir batarya kartuşunu şarj etmeden önce soğumasını bekleyin.
4. Batarya kartuşunu kullanmıyorken aletten veya şarj aletinden çıkarın.
5. Uzun bir süre (altı aydan daha fazla) kullanmadığınız durumlarda batarya kartuşunu şarj edin.

## İŞLEVSEL NİTELİKLER

**⚠DİKKAT:** Cihaz üzerinde ayarlama ya da işlevi kontrolü yapmadan önce cihazın kapalı ve batarya kartuşlarının çıkartılmış olduğundan daima emin olun.

## Batarya kartuşunun takılması ve çıkarılması

**⚠️ DİKKAT:** Batarya kartuşunu takmadan ya da çıkarmadan önce cihazı daima kapatın.

**⚠️ DİKKAT:** Batarya kartuşunu takarken veya çıkarırken cihazı ve batarya kartuşunun sıkıca tutulmaması bunların düşürülmesine sebep olabilir; cihaz ve batarya kartuşunun zarar görmesine ya da ciddi yaralanmalara yol açabilir.

Batarya kartuşlarını takmak için batarya kartuşlarının üzerindeki dilleri yuvadaki girintilerle hizalayın ve kaydırarak yerlerine takın. Hafif bir tık sesiyle yerlerine kilitlenene dek sonuna kadar sokun. Şekilde gösterildiği gibi kırmızı göstergeleri görebiliyorsanız tam olarak kilitlenmemiş demektir.

Batarya kartuşlarını çıkarmak için kartuşlarının önündeki düğmelere basıp basılı tutarken batarya yuvasından dışarı kaydırarak çıkarın.

► **Şek.1:** 1. Kırmızı gösterge 2. Düğme 3. Sağ batarya kartuşu 4. Sol batarya kartuşu

**⚠️ DİKKAT:** Batarya kartuşunu daima kırmızı gösterge görünmeyecek şekilde tam olarak takın. Aksi takdirde, cihazın üzerinden kazara düşerek sizin ya da çevrenizdekilerin yaralanmasına neden olabilir.

**⚠️ DİKKAT:** Batarya kartuşunu zorlayarak takmayın. Kartuş kolay bir şekilde kaymıyorsa doğru yerleştirilmemiş demektir.

Süpürge de çift batarya yuvası bulunur. İhtiyaçlarınıza göre çift batarya veya tek batarya arasından seçim yapabilirsiniz.

### Çift batarya ile

İki batarya ile kesintisiz tahrik, daha uzun çalışma süresine ve daha verimli temizliğe olanak tanır. İlk batarya boşalırken süpürge otomatik olarak güç kaynağını değiştirir, böylece ikinci batarya ile çalışmaya devam eder.

**NOT:** Sağ batarya yuvası (süpürge'nin önüne bakarken) sol batarya yuvasına göre önceliklidir. Sol batarya yuvası yalnızca sağ batarya yuvasına takılı batarya yokken veya sağ batarya yuvasındaki batarya boşaldığında bir güç kaynağı olarak tanımlanır.

**NOT:** Süpürge güç kaynağını sağ batarya yuvasından sola değiştirdiğinde çalışmaya ara vermeden sağ batarya yuvasındaki bataryayı çıkarabilir ve şarj edebilirsiniz. Şarjlı bir batarya taktıktan sonra öncelikle yeniden sağ batarya yuvasına vermek için süpürgeyi yeniden başlatın.

**NOT:** Süpürge güç kaynağını ilk bataryadan ikinci bataryaya değiştirirken işlemlerde geçici bir duraklama gerektirebilir, bu da hafif emiş kaybına neden olur. Bu bir arıza değildir, duraklamadan sonra süpürge hemen toparlanır ve işlemleri devam ettirir.

### Tek batarya ile

Güç kaynağı sağ veya sol batarya yuvasında olduğu için sadece bir batarya gerekir. Süpürge, hangi batarya yuvasının kullanılabilir olduğunu otomatik olarak belirler.

## Kalan batarya kapasitesinin gösterilmesi

Kalan batarya kapasitesini göstermesi için batarya kartuşu üzerindeki kontrol düğmesine basın. Gösterge lambaları birkaç saniye yanar.

► **Şek.2:** 1. Gösterge lambaları 2. Kontrol düğmesi

Gösterge lambaları			Kalan kapasite
Yanıyor	Kapalı	Yanıp sönüyor	
			%75 ila %100
			%50 ila %75
			%25 ila %50
			%0 ila %25
			Bataryayı şarj edin.
			Batarya arızalanmış olabilir.

**NOT:** Kullanım koşullarına ve ortam sıcaklığına bağlı olarak, gösterilen değer gerçek kapasiteden biraz farklılık gösterebilir.

**NOT:** İlk (en soldaki) gösterge lambası, batarya koruma sistemi çalıştığından yanıp söner.

## Kalan batarya kapasitesinin anahtar kutusunda gösterilmesi

Kalan batarya kapasitesi, anahtar kutusunda kontrol edilebilir. Kalan batarya kapasitesini göstermesi için düğmesine basın.

Anahtar kutusundaki "L" ve "R", sırasıyla sol ve sağ batarya kartuşlarına karşılık gelir. Batarya kartuşunu değiştiren göstergeyi izleyin.






► **Şek.3:** 1. Batarya göstergesi 2. Batarya kontrolü / LED ışık düğmesi

Batarya göstergesi durumu			Kalan pil kapasitesi
Açık	Kapalı	Yanıp sönüyor	
			%50 ila %100
			%20 ila %50
			%0 ila %20

Batarya göstergesi durumu			Kalan pil kapasitesi
 Açık	 Kapalı	 Yanıp sönüyor	
			Bataryayı şarj edin

## Cihaz/batarya koruma sistemi

Cihaz bir cihaz / batarya koruma sistemi ile donatılmıştır. Bu sistem cihaz ve batarya ömrünü uzatmak için motorun gücünü otomatik olarak keser. Bu durumda batarya göstergesi aşağıdaki tabloda olduğu gibi yanar.

Batarya göstergesi durumu			Durum
 Açık	 Kapalı	 Yanıp sönüyor	
			Aşırı yük koruması (batarya) / Aşırı ısınma koruması (batarya) / Aşırı deşarj koruması
			Aşırı ısınma koruması (cihaz)

Cihaz veya batarya için aşağıdaki durumlardan biri söz konusu olduğunda cihaz ve LED lamba çalışma sırasında otomatik olarak durur:

## Aşırı yük koruması

Cihaz / batarya, anormal derecede yüksek akım çekmesine neden olacak şekilde kullanıldığında, cihaz otomatik olarak durur. Bu durumda cihazı kapatın ve cihazın aşırı yüklenmesine neden olan uygulamayı kesin. Ardından cihazı açarak yeniden çalıştırın.

## Aşırı ısınma koruması

Cihaz / batarya aşırı ısındığında cihaz otomatik olarak durur. Bu durumda, cihazı yeniden çalıştırmadan önce cihazın / bataryanın soğumasını bekleyin.

## Aşırı deşarj koruması

Batarya kapasitesi düştüğünde cihaz otomatik olarak durur. Anahtarlar devredeyken bile ürün çalışmıyorsa, bataryaları cihazdan çıkarıp şarj edin.

## Diğer nedenlere karşı korumalar

Koruma sistemi, cihaza zarar verebilecek diğer nedenler için de tasarlanmıştır ve cihazın otomatik olarak durmasını sağlar. Cihaz çalışırken geçici duraklama ve durma yaparsa nedenleri ortadan kaldırmak için aşağıdaki tüm adımları uygulayın.

1. Cihazı kapatın ve ardından tekrar açarak yeniden çalıştırın.
2. Bataryaları şarj edin veya şarjlı bataryalarla değiştirin.
3. Cihazın ve bataryaların soğumasını bekleyin.

Koruma sistemi eski haline getirilerek ilerleme

kaydedilemezse yerel Makita Servis Merkezinize başvurun.

## Anahtar kutusu konumu

Anahtar kutusu alt kemerin her iki yanına da takılabilir. Kabloyu ayarlayarak anahtar kutusunu istediğiniz tarafa getirin. Kablonun hasar görmesini önlemek için, kabloyu şekilde gösterildiği gibi oluktan geçirin.

► Şek.4: 1. Oluk 2. Kablo

## Kemerlerin ayarlanması

Omuz kayışlarının, üst ve alt kemerlerin sıklığı ayarlanabilir. Önce kollarınızı omuz kayışlarından geçirin, ardından alt ve üst kemerleri takın. Sıkılmak için, askının ucunu şekilde gösterildiği gibi çekin. Gevşetmek için, mandalın ucunu yukarıya doğru çekin.

### Alt kemer

► Şek.5: 1. Askı 2. Mandal

### Omuz kayışı

► Şek.6: 1. Askı 2. Mandal

### Üst kemer




► Şek.7: 1. Askı 2. Mandal



## Taşıma kancası

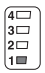



Süpürge gövdesini taşırken daima taşıma kancasından kavrayın.

► Şek.8: 1. Taşıma kancası

## Anahtar işlemi

Süpürgeyi başlatmak için  düğmesine basmanız yeterlidir. Kapatmak için,  düğmesine tekrar basın. Süpürge emiş gücünü,  düğmesine basarak dört adımda değiştirebilirsiniz. Bu düğmeye her basıldığında 1 - 4 modu bir döngü halinde tekrarlanır.

► Şek.9: 1. Emiş gücü değiştirme düğmesi  2. Açma/Kapatma düğmesi 



Seviye	Gösterge	Mod
1		Sessiz mod
2		Normal hız modu
3		Yüksek hız modu
4		Maksimum hız modu

**NOT:** Emiř g¼c¼n¼, s¼p¼rgeyi a¼madan ¼nce deęiřtirebilirsiniz.

**NOT:** S¼p¼rge son ¼alıřmadaki aynı emiř g¼c¼ ile ¼alıřmaya bařlar.

**NOT:** Bataryayı cihazı kapatıktan hemen sonra, motor d¼nerken ¼ıkarırsanız s¼p¼rge, son ¼alıřmadaki ile aynı emiř g¼c¼nde ¼alıřmaya bařlamayabilir.

## LED lamba

Karanlık yerlerde ¼alıřmayı kolaylařtırmak i¼in, anahtar kutusunun bař kısmına LED lamba monte edilmiřtir. Lambayı a¼mak i¼in  d¼ęmesine basın ve basılı tutun. Kapatmak i¼in  d¼ęmesine yeniden basın ve basılı tutun.

► **řek.10**

**▲DİKKAT:** Iřığı ya da iřıęın kaynaęına doęrudan bakmayın. Iřığı asla bařka insanların g¼z¼ne doęrultmayın.

**NOT:** S¼p¼rge 10 dakikadan fazla kullanılmadıęında LED lamba otomatik olarak kapanır.

## Hortum kelepçesi

Hortum kelepçesi hortumu veya esnek kauçuk aęı tutmak i¼in kullanılabilir. Hortumu s¼p¼rge nin g¼vdesine sabitlemek i¼in hortum kelepçesini g¼vde üzerindeki yuvadan ge¼eririn. Hortum kelepçesini her iki tarafa da takabilirsiniz.

► **řek.11:** 1. Hortum kelepçesi 2. Yuva 3. Hortum

Alt kemerin üzerindeki ¼emberler, řekilde g¼sterildięi gibi aęızları tařımak i¼in kullanılabilir.

► **řek.12:** 1. ¼ember 2. Aęız

## Hortum kancası

¼alıřmaya ara verdięinizde, eęik boru tertibatı üzerindeki kanca, ¼ubuęu alt kemerin asma kısmına asmak i¼in kullanılabilir.

► **řek.13:** 1. Kanca 2. Alt kemer 3. Asma kısmı

## MONTAJ

**▲DİKKAT:** Cihaz üzerinde herhangi bir iř yapmadan ¼nce cihazın kapalı ve batarya kartuşunun ¼ıkarılmıř olduęundan daima emin olun.

## Hortumun takılması

Hortum maņşonunu s¼p¼rge g¼vdesine takın ve saat y¼n¼nde d¼nd¼r¼n.

► **řek.14:** 1. Hortum maņşonu 2. S¼p¼rge g¼vdesi

## S¼p¼rge olarak kullanılması

### Eęik boru tertibatının takılması

#### İsteęe baęlı aksesuar

**NOT:** Modelinin, eęik boru tertibatı hortuma takılı gelirse bu prosed¼r¼ uygulamaz gerekir.

**NOT:** Biri kayar tip uzatma ¼ubuęu ve dięeri bilezik tipi uzatma ¼ubuęu i¼in olmak üzere iki tip eęik boru tertibatı vardır. Eęik boru tertibatını hazırlarken istedięiniz uzatma ¼ubuęu tipi i¼in olanı se¼in.

Eęik boru tertibatı, uzatma ¼ubuęunu veya elektrikli s¼p¼rge aęızını bu ¼r¼ne baęlamak i¼in kullanılır. Bu ¼r¼n¼ elektrikli s¼p¼rge olarak kullanmak isterseniz eęik boru tertibatını hortuma takın.

**Çevirmeli tip eęik boru tertibatı i¼in**  
Takmak i¼in, ¼n maņseti hortumdan ¼ıkarın ve eęik boru tertibatının maņşonunu çevirerek hortuma takın. ¼ıkarmak i¼in, eęik boru tertibatının maņşonunu çevirerek hortumdan ge¼etin.

► **řek.15:** 1. Hortum 2. Eęik boru tertibatı 3. Maņşon

#### Geçmeli tip eęik boru tertibatı i¼in

Takmak i¼in hortum ucunu eęik boru tertibatına sokun. Hortum ucundaki tırnakların eęik boru tertibatı üzerindeki deliklere ge¼tięinden emin olun. ¼ıkarmak i¼in hortum ucundaki her iki tırnaęı bastırarak eęik boru tertibatını ¼ekin.

► **řek.16:** 1. Hortum ucu 2. Tırnak 3. Delik 4. Eęik boru tertibatı

### Aęız ve ¼ubuęun takılması

#### İsteęe baęlı aksesuar

**NOT:** ¼r¼n¼le birlikte verilen aęızın ve ¼ubuęun t¼r¼ ¼lkelere g¼re deęiřir. Bazı ¼lkelerde aęız ve ¼ubuk dahil deęildir.

1. Aęızı çevirerek uzatma ¼ubuęuna sokun.

► **řek.17:** 1. Uzatma ¼ubuęu 2. Esnek kauçuk aęız 3. K¼ře emme bařlıęı 4. T řekliili aęız

Zemin/halı deęiřtirmeli t aęızı kullanırken yere baęlı olarak modu deęiřtirebilirsiniz.

— Zemin modu: Sert zemin gibi d¼z yerler i¼in uygundur

— Halı modu: Halı veya kilim gibi t¼yl¼ yerler i¼in uygundur

► **řek.18:** 1. Mod deęiřtirme d¼ęmesi 2. Zemin modu 3. Halı modu

**NOT:** Sokarken aęızın çevrilmesi, aęızın uzatma ¼ubuęuna sıkıca takılmasını saęlar.

**NOT:** ø38 mm hortumlu ve ¼n maņset 38'li model i¼in verilen aęızı, al¼minyum eęik boru / al¼minyum d¼z boruya takın.

2. Uzatma ¼ubuęunun tipine g¼re ařaęıdaki prosed¼rleri izleyin:

**NOT:** Kayar tip uzatma çubuğu ve bilezik tipi uzatma çubuğu birbirleri ile uyumlu değildir. Kayar tip uzatma çubuğunu bilezik tipi uzatma çubuğu ile (veya tersi) değiştirmek isterseniz eğik boru tertibatını da değiştirin.

#### Kayar tip uzatma çubuğu için

Süpürge gövdesini omzunuza alın, ardından uzatma çubuğunu tık sesiyle yerine oturana dek eğik boru tertibatına sokun. Ayırmak için düğmeye basarak uzatma çubuğunu çıkarın.

► **Şek.19:** 1. Eğik boru tertibatı 2. Düğme 3. Kayar tip uzatma çubuğu 4. Esnek kauçuk ağız

Çubuğun uzunluğu ayarlanabilir.

Kaydırma düğmesine basarak çubuğun uzunluğunu ayarlayın. Kaydırma düğmesi bırakıldığında uzunluk sabitlenir.

► **Şek.20:** 1. Kaydırma düğmesi

#### Bilezik tipi uzatma çubuğu için

Süpürge gövdesini omzunuza alın, ardından uzatma çubuğunu çevirerek eğik boru tertibatına sokun. Ayırmak için, çevirerek çıkarın.

► **Şek.21:** 1. Eğik boru tertibatı 2. Bilezik tipi uzatma çubuğu 3. Esnek kauçuk ağız

**NOT:** Esnek kauçuk ağız, boru kilidi olmadan eğik boru tertibatına doğrudan takılabilir.

Çubuğun uzunluğu ayarlanabilir.

Çubuk üzerindeki bileziği gevşetin ve çubuğun uzunluğunu ayarlayın. Bileziği istediğiniz uzunlukta sıkılayın.

► **Şek.22:** 1. Bilezik

#### Alüminyum eğik boru / alüminyum düz boru için

(Sadece ø38 mm hortumlu ve ön manşet 38'li model için)  
Süpürge gövdesini omzunuza alın, ardından boruyu çevirerek ön manşete sokun. Ayırmak için, çevirerek çıkarın.

► **Şek.23:** 1. Ön manşet 38 2. Alüminyum eğik boru 3. Alüminyum düz boru 4. T şekilli ağız

#### İki alüminyum düz boru için

Süpürge gövdesini omzunuza alın, ardından boruları çevirerek sokun. Ayırmak için, çevirerek çıkarın.


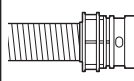
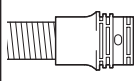
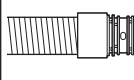
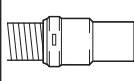
► **Şek.24:** 1. Eğik boru tertibatı 2. Alüminyum düz boru 1 3. Alüminyum düz boru 2

## Aletin bağlanması

**NOT:** Eğik boru tertibatı hortuma takılı ise önceden çıkarın.

Süpürgeye bir alet bağlamak için özel hortum ve/veya ek parçalar gerekir. Süpürgezinizin modeline bağlı olarak hortumu değiştirmeniz ve/veya ek parçalar hazır etmeniz gerekir.

Ayrıntılar için aşağıdaki tabloya bakın.

Verilen hortumun çapı	Hortum ucu tipi	İşlem
ø28 mm	 parçasız	Ön manşeti takın.
	 geçmeli parçalı	Hortum ucunu (geçmeli parça) ön manşet ile değiştirin. Hortum ucu, saatin aksi yönünde döndürülerek çıkarılabilir.
ø32 mm	 geçmeli parçalı	Hortumu, toz çekme için olanla (ø28 mm, ön manşetli) değiştirin.
ø38 mm	 geçmeli parçalı	Hortumu, toz çekme için olanla (ø28 mm, ön manşetli) değiştirin.
	 ön manşet 38'li	Rakor 22-38 veya ön manşet 24'ü takın.

**NOT:** Her zaman uygun bir ön manşet kullanın. Ön manşet 24'ü kullanırken, onu hortuma bağlı olan ön manşet 22'ye takın.

► **Şek.25:** 1. Ön manşet 22 2. Ön manşet 24

## ø28 mm toz çekme hortumu kullanırken

1. Ön manşeti toz çekme hortumuna takın. Ön manşeti bağlarken hortuma döndürülerek sıkıca takıldığından emin olun.

2. Ön manşeti, aletin toz çekme çıkışına bağlayın.

► **Şek.26:** 1. Ön manşet 2. Toz çekme çıkışı 3. Hortum

Ön manşet, hortumdan tutup saatin aksi yönde döndürülerek çıkartılabilir.

## Ön manşet 38'li ø38 mm hortum kullanırken

1. Bağlayacağınız alete bağlı olarak rakor veya ön manşeti hortum üzerindeki giriş kısmına çevirerek sokun.

2. Ön manşeti, aletin toz çekme çıkışına bağlayın.  
► **Şek.27:** 1. Rakor 2. Ön manşet 3. Toz çekme çıkışı 4. Hortum

Rakor veya ön manşeti çıkarmak için, takma işlemlerini tersinden uygulayın.

## Filtre torbası / toz torbasının takılması

### İsteğe bağlı aksesuar

**⚠DİKKAT:** Hasarlı bir filtre torbasını kullanmayın. Süpürgeyi daima filtre torbası düzgün bir şekilde takılmış halde kullanın. Aksi takdirde, vakumlanan toz ve parçacıklar süpürgeден dışarı çıkarak operatörde solunum yolu hastalıklarına neden olabilir.

Süpürgeyi kullanmadan önce toz torbası veya filtre torbası takın.

- Toz torbaları temizlenerek bir defadan fazla kullanılabilir.
- Filtre torbası tek kullanımlıktır. Dolduğu zaman filtre torbasını boşaltmadan olduğu gibi atın.

**ÖNEMLİ NOT:** Filtre torbası dolduğunda yeni- siyle değiştirin. Toz torbası dolduğunda boşaltın. Filtre torbası/toz torbası dolu şekilde sürekli kullanım emiş gücünde düşüğe neden olur.

**ÖNEMLİ NOT:** Motora toz kaçmasını önlemek için:

- Kullanmadan önce filtre torbası/toz torbasının takıldığından emin olun.
- Yırtık veya delinmiş torbaları kullanmayın.

Aksi takdirde motor arızalanabilir.

**ÖNEMLİ NOT:** Filtre torbası/toz torbasını takarken ağız kısmındaki kartonu bükmeyin.

**ÖNEMLİ NOT:** Süpürge nin filtre torbası/toz torbası, cihaz performansını sürdürmek için önemli bir parçadır. Orijinal olmayan filtre torbası/toz torbası kullanılması duman ya da parlamaya neden olabilir.

**NOT:** Süpürgeye filtre torbası/toz torbası takılı değil- ken ön kapak tamamen kapanmaz.

### ► Şek.28

1. Kolu kilitten kurtarın ve ön kapağı açın.  
► **Şek.29:** 1. Kol 2. Ön kapak
2. Filtre torbasını şekilde gösterildiği gibi yuvanın üst kısmındaki keşiğin içine takın.  
► **Şek.30:** 1. Kesik 2. Filtre torbası

Toz torbasını kullanırken toz torbasının kenarını keşiğin içine yerleştirin.

► **Şek.31:** 1. Kesik 2. Kenar 3. Toz torbası

3. Filtre torbasının deliğini hortum manşonu ile hizalayın ve karton kısmı sonuna kadar itin. Filtre torbası üzerindeki kauçuk bileziğin hortum manşetinin kenarını üzerine geldiğinden emin olun.  
► **Şek.32:** 1. Filtre torbası üzerindeki kauçuk bilezik 2. Hortum manşetinin kenarı 3. Filtre torbasının karton kısmı 4. Hortum manşonu

4. Ön kapağı mutlaka kilitleyin.

**⚠DİKKAT:** Mandalı geçirirken ve ön kapağı kapatırken parmaklarınızı sıkıstırmamaya dikkat edin.

## Askı kapağı

### İsteğe bağlı aksesuar

Askı kapağını kullanırken takmak için aşağıdaki prose- düdü izleyin.

**NOT:** Askı kapağını takarken askı kapağının önü ile arkasını karıştırmayın.

**NOT:** Askı kapağı yıkanabilir. Etiket üzerindeki yıkama talimatlarını izleyin.

### ► Şek.33

1. Askı kapağını askının üzerine yayın.

### ► Şek.34

2. Askı omuz kayışlarını askı kapağının cırt cırt bant- larla sabitleyin. Askı kapağının bandını askının üzerine geçirin.

### ► Şek.35

## KULLANIM

**⚠UYARI:** Operatörlerin süpürge nin kullanımı konusunda yeterli bir şekilde bilgilendirilmesi gereklidir.

**⚠UYARI:** Süpürge tehlikeli tozları toplamak için uygun değildir.

**⚠DİKKAT:** Bu süpürge sadece kuru kullanım içindir.

**⚠DİKKAT:** Çalışma sırasında sırtınızdaki elekt- rikli süpürge nin farkında olun. Süpürge gövdesi bir duvara çarparsa veya hortum bir engele takılırsa dengeni kaybedebilirsiniz.

1. Süpürge gövdesini omzunuza geçirip üst ve alt kemerleri takın. Sıklığını gerektiği gibi ayarlayın.  
► **Şek.36**

2. Süpürmeye başlamak için ① düğmesine basın. Emiş gücünü değiştirmek isterseniz istenen emiş gücü seçilene kadar ② düğmesine basın. Durmak için ③ düğmesine basın.  
► **Şek.37**

Çalışma sırasında anahtar kutusunu D halka veya alt kemerin asma kısmına takın. Asma kısmına takıldığında önünüzü aydınlatmak için kanca eğilebilir.

► **Şek.38:** 1. D halka 2. Asma kısmı

3. Dolduğu zaman filtre torbasını değiştirin. Ön kapağı açın ve filtre torbasını çıkarın. Filtre torbasını kapatmak için açıklığın olduğu taraftaki şeridi çekin ve filtre torbasını bütün olarak atın.  
► **Şek.39:** 1. Şerit

Bir toz torbası kullanırken toz torbasını çıkarın ve man- dalı açarak tozu boşaltın.

## ► Şek.40: 1. Mandal

**ÖNEMLİ NOT:** Ön kapağın üzerine filtre torbası/toz torbası veya başka ağır nesnelere koymayın. Cihaz devrilebilir.

**ÖNEMLİ NOT:** Filtrenin dolup dolmadığını görmek için filtre torbasını düzenli olarak kontrol edin. Filtre torbası sürekli olarak dolu bir şekilde kullanılırsa emiş gücünde azalma meydana gelir.

**ÖNEMLİ NOT:** Kullanılmış bir filtre torbasını yeniden kullanmayın. Filtre torbası tek kullanımlık olarak tasarlanmıştır. Filtre torbasının tekrar tekrar kullanılması filtrenin tıkanmasına neden olabilir ve süpürgecinin hasar görmesine yol açar. Torbayı tekrar tekrar kullanmak isterseniz bir toz torbası kullanın.

## BAKIM

**⚠ DİKKAT:** Kontrol ya da bakım yapmadan önce cihazın kapalı ve batarya kartuşunun çıkarılmış olduğundan daima emin olun.

**ÖNEMLİ NOT:** Benzin, tiner, alkol ve benzeri maddeleri kesinlikle kullanmayın. Renk değişimi, deformasyon veya çatlaklar oluşabilir.

Aleti EMNİYETLİ ve ÇALIŞMAYA HAZIR durumda tutmak için onarımlar, başka her türlü bakım ve ayarlamalar daima Makita yedek parçaları kullanarak Makita yetkili servis merkezleri veya Fabrikanın Servis Merkezleri tarafından yapılmalıdır.

## HEPA filtrenin temizlenmesi

**⚠ DİKKAT:** Süpürgeyi filtresiz olarak kullanmayın ya da kirli veya hasarlı bir filtreyle kullanmaya devam etmeyin. Vakumlanan toz ve parçacıklar süpürgecinin dışarı çıkarak operatörde solunum yolu hastalıklarına neden olabilir.

**ÖNEMLİ NOT:** En iyi emiş gücünü korumak ve temiz bir çıkış sağlamak için, filtreyi periyodik olarak temizleyin. Temizlikten sonra bile yeterli emiş gücü sağlanamıyorsa filtreyi yenisiyle değiştirin.

**ÖNEMLİ NOT:** Filtrenin hasar görmesini önlemek için, temizlik amacıyla aşağıdaki aletleri ve benzer eşyaları kullanmayın:

- Havalı toz üfleme aparatı
- Basınçlı yıkama makinası
- Tel fırça gibi sert materyallerden yapılan aletler

1. Ön kapağı açın ve filtre torbasını/toz torbasını çıkarın. Filtre üzerindeki kancayı açın ve filtreyi süpürge gövdesinden çıkarın.

► Şek.41: 1. Kanca 2. HEPA filtre

2. Filtreye vurarak tozunun çıkmasını sağlayın. Filtre suyla yıkanabilir. 1-2 ayda bir, filtre üzerindeki toz ve parçacıkları suyla giderin. Ardından, filtreyi iyi havalandırılan gölge bir yerde kurutarak istenmeyen kokuların ya da arızaların oluşmasını engelleyin.

3. Filtreyi takmak için, kancasız tarafı oluğa sokun ve ardından kancalar tık sesi ile sabitlenene kadar filtreyi içeri ittirin.

► Şek.42: 1. Oluk 2. HEPA filtre 3. Kanca

## Sünger filtrenin temizlenmesi

**⚠ DİKKAT:** Sünger filtreleri temizledikten sonra bunları elektrikli süpürgeye mutlaka takın. Suyu yıkanırsa takmadan önce iyice kurutun. Yeterince kurumamış sünger filtreler motorun hizmet ömrünün kısaltılmasına neden olabilir.

HEPA filtrenin altındaki sünger filtreler, motora toz girmesini engeller.

1. Sünger filtreleri elektrikli süpürgeci çıkarın.

► Şek.43: 1. Sünger filtre

2. Sünger filtrelerin tozunu elinizle vurarak silkeleyin. Sünger filtreler tıkanıldığında sabunlu suda yıkayın.

► Şek.44

3. Sünger filtreleri orijinal konumlarında takın.

## Toz torbasının temizlenmesi

Toz torbasını su ve sabunla düzenli olarak temizleyin. Toz torbasının tersini çevirerek yapışan tozları gidirin. Elinizde nazıkçe yıkayın ve suyla iyice durulayın. Elektrikli süpürgeye takmadan önce tamamen kurutun.

► Şek.45

**ÖNEMLİ NOT:** Islak toz torbası vakumlama performansını düşürdüğü gibi motor ömrünü de kısaltır.

## Tıkanıklığın açılması

Tıkanıklığı açarken iç tarafı kontrol etmek için hortumu veya uzatma çubuğunu ya da eğik boru tertibatını çıkarın.

Eğik boru tertibatı takma kısmına bakın.

## Filtre torbası/toz torbası boşluğunun temizlenmesi

Bu cihaz bir toz silkeleme sistemi ile donatılmıştır. Süpürgeyi taşıyarak yürürken tahtanın altındaki yaylar, tahtayı titreştirir ve filtre torbası/toz torbasının tozunu silkeleyerek atar. Filtre torbası/toz torbası boşluğunun temizlerken içerideki tahtayı çıkarıp silin.

► Şek.46: 1. Tahta

## Tahtanın çıkarılması

1. HEPA filtreyi çıkarın. Çıkarma ile ilgili bilgi için HEPA filtrenin temizlenmesi kısmına bakın.

2. Tahtayı aşağı bastırın ve tahtayı duvara dokunana kadar sola kaydırın.

3. Tahtanın sağ tarafını yukarı kaldırıp çekerek çıkarın.

► Şek.47: 1. Tahta

Tahta üç yayla desteklenir.

Yaylar çıkıntılardan çıkarsa şekilde gösterildiği gibi yeniden takın.

- **Şek.48:** 1. Uzun yay 2. Kısa yay 3. Çıkıntı

**NOT:** Yayları, çıkıntılarının dibine dokunacak şekilde sıkıca takın.

## Tahtanın takılması

1. Tahtanın düz tarafını boşluğun sol alt tarafındaki mandallara sokun.
  2. Tahtanın sağ tarafını yerine yerleştirin.
- **Şek.49:** 1. Tahta 2. Düz taraf 3. Mandal

## SİKLON EK PARÇASI

### İsteğe bağlı aksesuarlar

**NOT:** Siklon ek parçasını bu cihazla kullanırken dırseklili boru da gerekir.

- **Şek.50:** 1. Siklon ek parçası

### Siklon ek parçası hakkında

Süpürgeyi siklon ek parçası takılı durumda kullanmak toz torbasına giren toz miktarını azaltarak emiş gücünün zayıflamasını önlemeye yardımcı olur. Ek olarak kullanım sonrası temizleme de kolaylaşır.

**⚠DİKKAT:** Alet üzerinde herhangi bir işlem yapmadan önce mutlaka aletin kapalı ve batarya kartuşunun çıkarılmış olduğundan emin olun. Batarya kartuşu takılı bırakılırsa süpürge beklenmedik şekilde çalışabilir ve yaralanmaya neden olabilir.

**⚠DİKKAT:** Siklon ek parçasının gözenekli filtresini ve süpürge ünitesinin toz torbasını tıkanıklıklarında temizleyin. Tıkalı durumda kullanmaya devam etmek ısınma veya dumana neden olabilir.

**ÖNEMLİ NOT:** Siklon ek parçası takılı iken siklon ek parçasını yatay veya yukarı bakar durumda kullanmayın. Bunun yapılması gözenekli filtrenin tıkanmasına neden olabilir.

**ÖNEMLİ NOT:** Süpürgeyi, siklon ek parçasını kullanırken bile, her zaman toz torbasını takılı olarak kullanın. Süpürge toz torbası takılı olmadan kullanılması motor arızasına neden olabilir.

**NOT:** Kullanmadan önce siklon ek parçası, süpürge ve düz borunun düzgün bir şekilde kilitlendiğini kontrol edin.

**NOT:** Toz biriktiğinde siklon ek parçasının toz kutusunu ve süpürge toz torbasını boşaltın. Kullanmaya devam etmek zayıf emiş gücüne yol açar.

**NOT:** Siklon ek parçasını kilitleme işlevi ile veya olmadan kullanabilirsiniz.

**NOT:** Siklon ek parçasını takmak veya çıkarmak için "Süpürge olarak kullanılması" kısmına bakın.

### Tozun boşaltılması

Toz kutusunun dolu çizgisine kadar toz biriktiğinde aşağıdaki prosedürü izleyerek tozu boşaltın.

1. Toz kutusunu sıkıca tutun, iki düğmeye basarak

basılı tutun ve toz kutusunu çıkarın.

- **Şek.51:** 1. Dolu çizgisi 2. Toz kutusu 3. Düğme (iki yerde) 4. Gözenekli filtre

2. Toz kutusunun içindeki tozu boşaltın ve gözenekli filtrenin yüzeyine yapışan tüm tozu temizleyin.

3. Toz kutusunu, iki düğme bir tık sesi ile kilitlenene kadar sonuna dek sokun.

- **Şek.52:** 1. Toz kutusu 2. Düğme (iki yerde)

**NOT:** Yeniden çalışmaya başlamadan önce siklon ek parçası, süpürge ve düz borunun düzgün bir şekilde kilitlendiğini kontrol edin.

**NOT:** Tozu boşaltıktan ve gözenekli filtreyi temizledikten sonra bile emiş gücü toparlanmazsa süpürge toz torbasında toz birikip birikmediğini veya tıkanma olup olmadığını kontrol edin.

### Temizleme

Toz kutusu kirlendiğinde veya gözenekli filtre tıkanıldığında bunları çıkarıp su ile yıkayın. (Çıkarma prosedürü için "Tozun boşaltılması" kısmına bakın.)

Yeniden takmadan ve kullanmadan önce parçaları tamamen kurutun.

- **Şek.53:** 1. Toz kutusu 2. Gözenekli filtre

Gözenekli filtre çok kirlendiğinde aşağıdaki prosedürleri izleyerek temizleyin.

1. Gözenekli filtreyi saatin aksi yönünde çevirin ve kancalar açılarak çıkarın.

- **Şek.54:** 1. Gözenekli filtre 2. Kanca

2. Gözenekli filtre üzerindeki tozu temizleyin ve ardından su ile yıkayın. Ondandan sonra tamamen kurutun.

3. Gözenekli filtreyi, kancalar açıklık ile hizalanmış durumda tabana sokun. Gözenekli filtreyi, kancalar bir tık sesi ile kilitlenene kadar saat yönünde çevirin. Gözenekli filtrenin sıkıca takıldığından emin olun.

- **Şek.55:** 1. Gözenekli filtre 2. Kanca 3. Açıklık

## İSTEĞE BAĞLI AKSESUARLAR

**⚠DİKKAT:** Bu kullanım kılavuzunda belirtilen Makita ürünüyle aşağıdaki aksesuarların ve parçaların kullanılması önerilir. Başka her türlü aksesuar veya ek parça kullanımı yaralanma riski teşkil edebilir. Aksesuar veya ek parçayı mutlaka amacına uygun kullanın.

Parça kombinasyonuna bağlı olarak bazı aksesuarlar takılamaz.

Bu aksesuarlarla ilgili daha fazla bilgiye ihtiyaç duyarsanız bulunduğunuz yerdeki yetkili Makita servisine başvurun.

- Hortum (süpürge tipi için)
- Hortum (toz çekme tipi için)
- Uzatma çubuğu
- Esnek kauçuk ağız
- T şekilli ağız



- Koltuk ağızı
- Köşe emme başlığı
- Raf fırçası
- Yuvarlak fırça
- Eğik boru tertibatı
- Filtre torbası
- Toz torbası
- Ön manşet
- HEPA filtre
- Boru
- Askı kapağı
- Siklon ek parçası
- Orijinal Makita batarya ve şarj aleti

**NOT:** Listedeki parçaların bazıları alet paketi içerisinde standart aksesuar olarak dahil edilmiş olabilir. Bunlar ülkeden ülkeye farklılık gösterebilir.





# Makita Europe N.V.

Jan-Baptist Vinkstraat 2, 3070 Kortenberg, Belgium

# Makita Corporation

3-11-8, Sumiyoshi-cho, Anjo, Aichi 446-8502 Japan

[www.makita.com](http://www.makita.com)



885A49B992  
EN, FR, DE, IT, NL,  
ES, PT, DA, EL, TR  
20240906