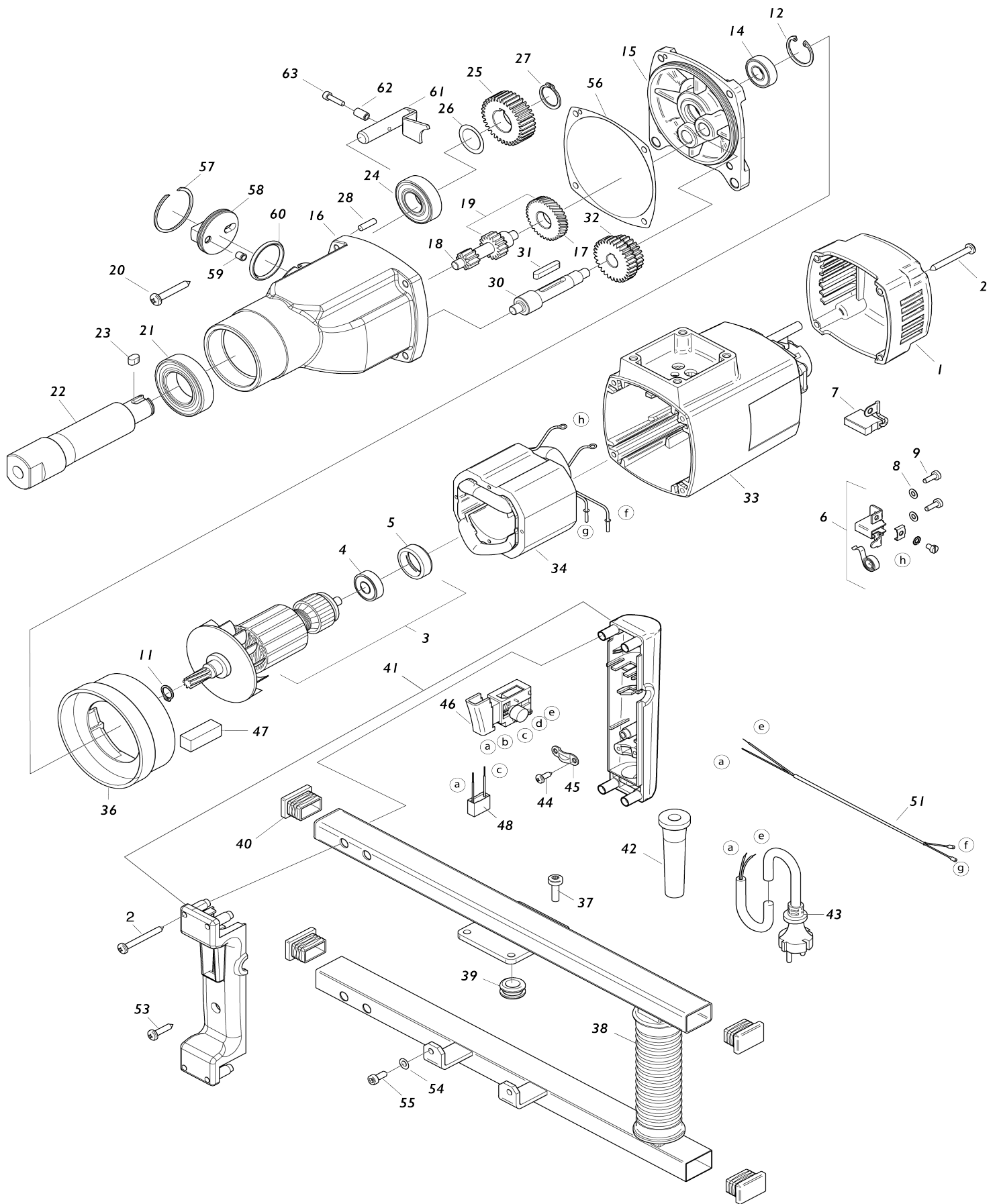


Model No.UT1600 MALAXEUR 1800W 2 VITESSES



Model No.UT1600 MALAXEUR 1800W 2 VITESSES

Numéro d'article	N ° de pièces	Description	Intercangeabilité	Q'ty	Nouvelle / ancienne	Note 1	Note 2
001	EE80900082	BOUCHON		1			
002	EE80201267	SELF TAPPING SCREW		8			
003	EE77427100	ROTOR COMPLETE		1			
004	EE80410021	ROULEMENT A BILLE 6000ZZ		1			
005	EE83000031	BEARING CAP		1			
006	EE80201199	BRUSH HOLDER		2			
007	EE80700019	CHARBON (1PIECE) DBM130/131		2	*		
007-1	EE7332022S	PAIR OF BRUSHES	<	1			
008	EE80201385	LOCK WASHER		4			
009	EE80201180	SELF TAPPING SCREW		4			
011	EE80201320	LOCKING RING		1			
012	EE80201333	LOCKING RING		1			
014	EE80410031	ROULEMENT A BILLES		1			
015	EE77M4161U	END SHIELD OF GEARING		1			
016	EE77M4140U	GEARBOX HOUSING / CASING		1			
017	EE7432K470	INTERMEDIATE WHEEL		1			
018	EE7432K500	SHAFT		1			
020	EE80201292	SELF TAPPING SCREW		4			
021	EE80410071	ROULEMENT A BILLES 6006 2RS		1			
022	EE77796420	WORK SPINDLE		1			
023	EE80200604	FITTING KEY		1			
024	EE80410051	ROULEMENT A BILLES 6004 2RS		1			
025	EE7432K430	SPINDLE WHEEL		1			
026	EE80200509	FITTING WASHER		1			
027	EE80201324	LOCKING RING		1			
028	EE80200582	NOTCHED PIN PLUG		1			
030	EE7432K460	SHAFT		1			
031	EE80200602	FITTING KEY		1			
032	EE7432K440	GEAR BLOCK/ CLUSTER GEAR		1			
033	EE80900404	CARTER DE MOTEUR		1			
034	EE7742A150	STATOR COMPLETE		1			
036	EE80900160	BAGUE		1			
037	EE80201278	PLASTIC SCREW		4			
038	EE77M41590	BOW HANDLE		1			
039	EE83000051	CABLE GROMMET		2			
040	EE80900000	COUVERCLE		4			
041	EE80900098	POIGNEE		1			
042	EE83000004	MANCHON CABLE		1			
043	EE80600060	CABLE DE RACCORDEMENT		1			
044	EE80201270	SELF TAPPING SCREW		2			
045	EE85000020	WIRE LOCKING FLANGE		1			
046	EE80600510	INTERRUPTEUR		1	*		
046-1	EE80600135	INTERUPTEUR	O	1	*		
046-2	EE80600527	SWITCH	<	1			
047	EE80600306	RONDELLE DE CONTACT		1			
048	EE80500010	CONDENSATEUR UT120		1			
051	EE80600072	CABLE DE COMMANDE		1			

053	EE80201280	SELF TAPPING SCREW		1		
054	EE80201302	LOCK WASHER		2		
055	EE80201103	SCREW		2		
056	EE82000051	JOINT DE BOITE DE TRANSMISSI ON		1		
057	EE80201355	CIRCLIP		1		
058	EE7454M540	SWITCH BUTTON		1		
059	EE85000157	SPRING LOADED THRUST PAD		1		
060	EE83000022	O RING		1		
061	EE71323520	COUPLING BOLT COMPLETE		1		
062	EE7454M528	BUSH		1		
063	EE80201450	VIS M4x16		1		

Veillez indiquer les pièces n ° lorsque votre commande.

Date d'impression 07/06/2024