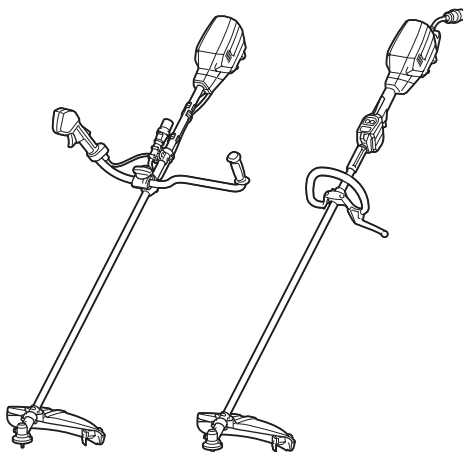
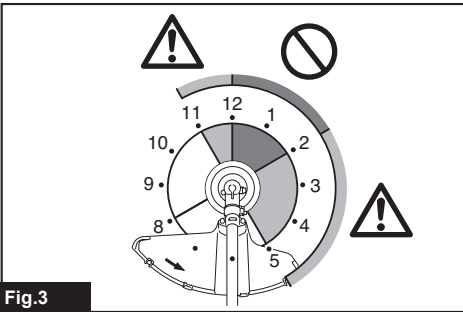
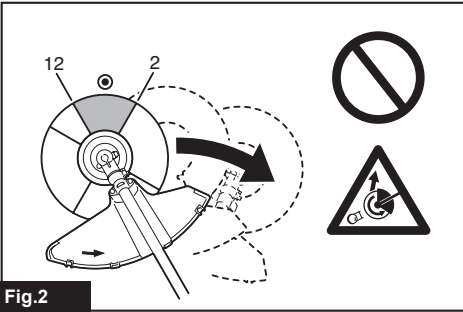
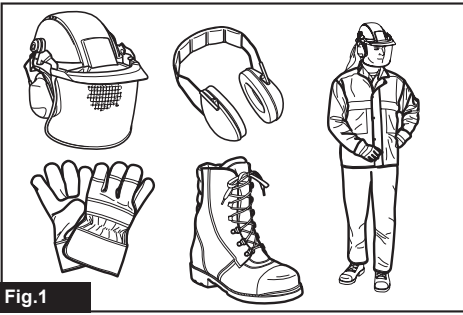


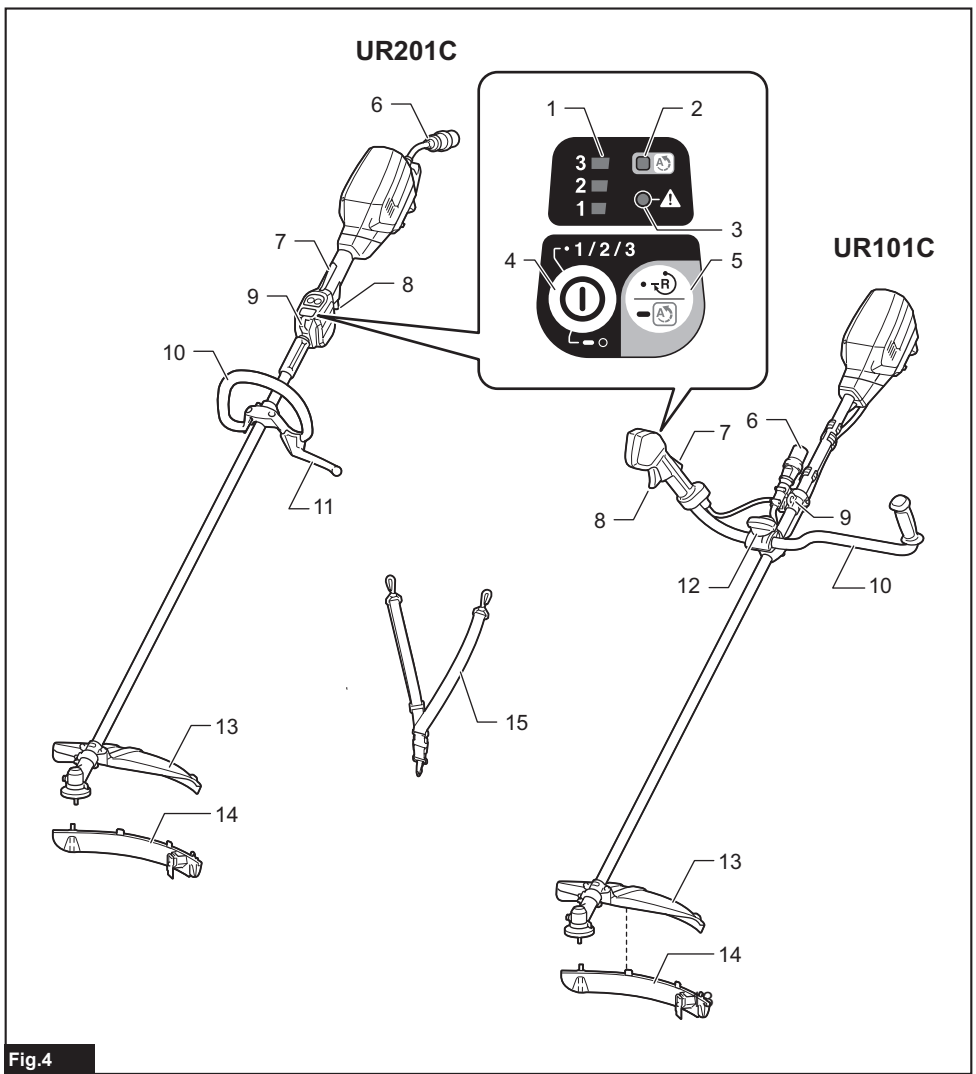


EN	Battery Powered Grass Trimmer	INSTRUCTION MANUAL	17
FR	Coupe Herbe à Batterie	MANUEL D'INSTRUCTIONS	32
DE	Akku-Sense	BETRIEBSANLEITUNG	49
IT	Tagliabordi alimentato a batteria	ISTRUZIONI PER L'USO	66
NL	Accugrastrimmer	GEBRUIKSAANWIJZING	83
ES	Corta Césped a Batería	MANUAL DE INSTRUCCIONES	100
PT	Roçadeira a Bateria	MANUAL DE INSTRUÇÕES	117
EL	Κουρευτικό γκαζόν μπαταρίας	ΕΓΧΕΙΡΙΔΙΟ ΟΔΗΓΙΩΝ	133
TR	Batarya Beslemeli Yan Tirpan	KULLANMA KILAVUZU	150

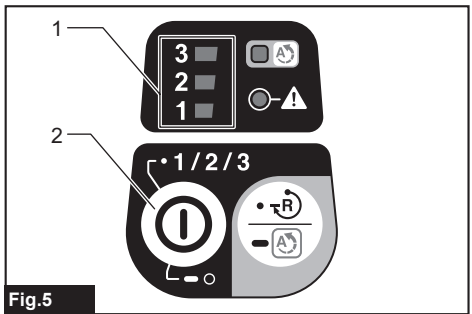
**UR101C**  
**UR201C**



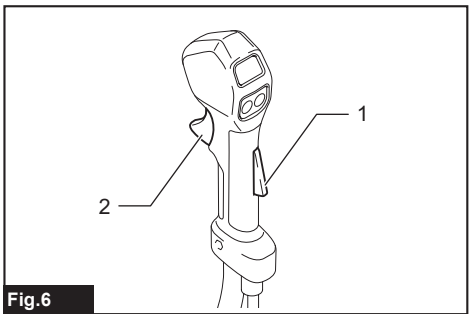




**Fig.4**



**Fig.5**



**Fig.6**

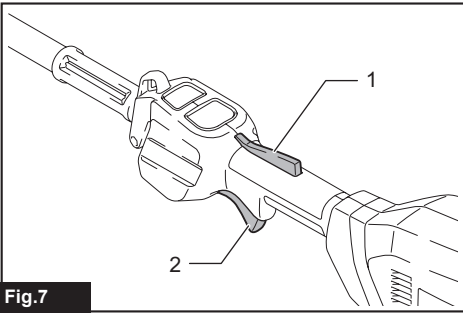


Fig. 7

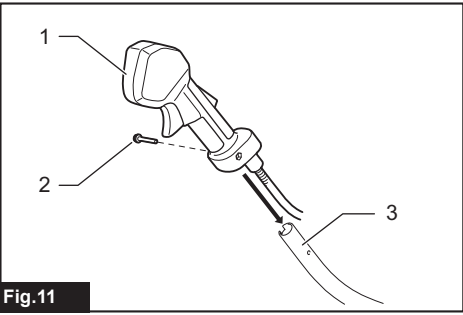


Fig. 11

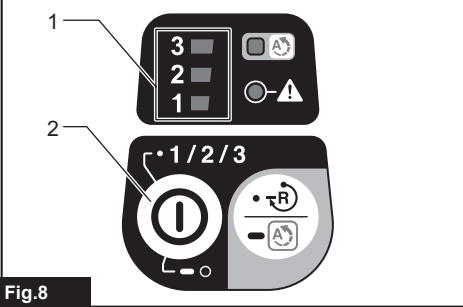


Fig. 8

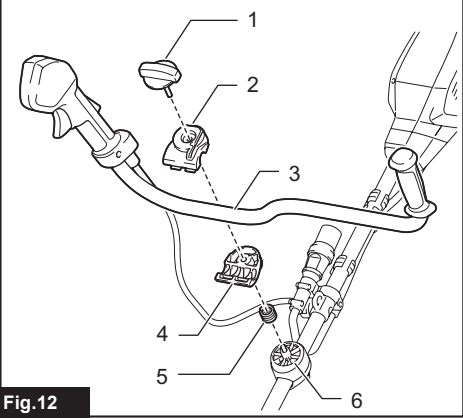


Fig. 12

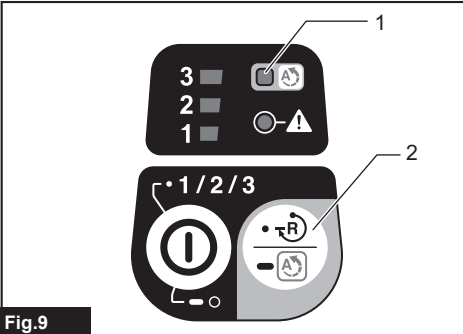


Fig. 9

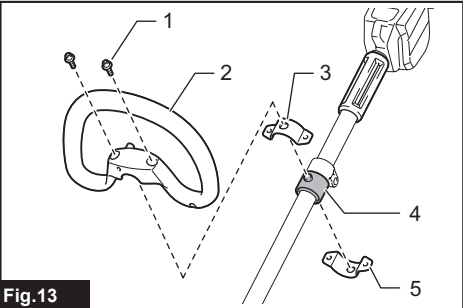


Fig. 13

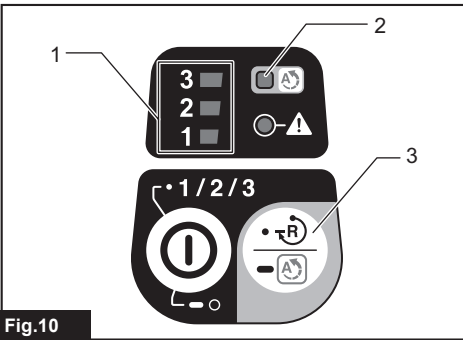


Fig. 10

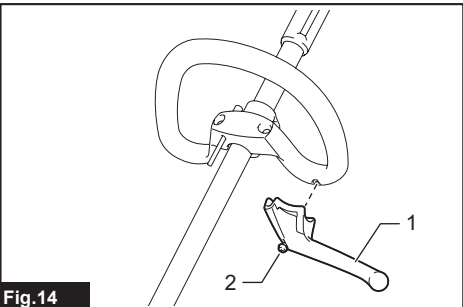
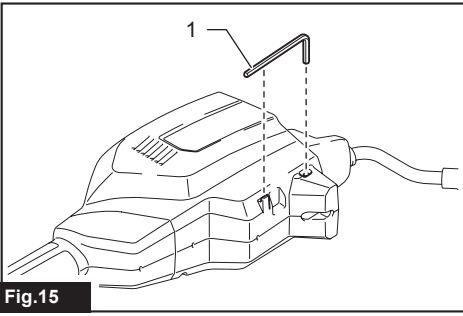
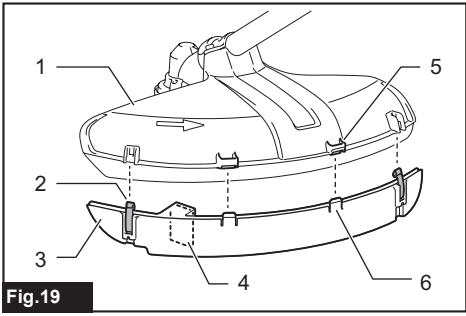


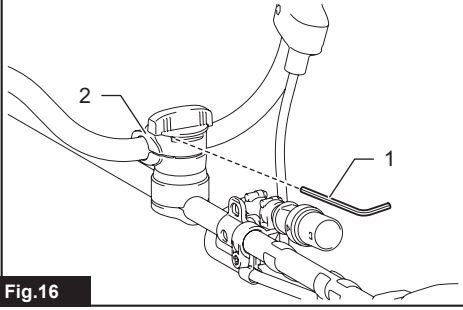
Fig. 14



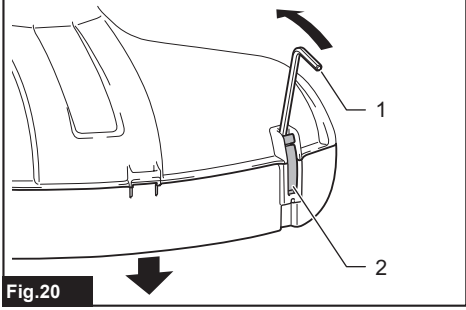
**Fig.15**



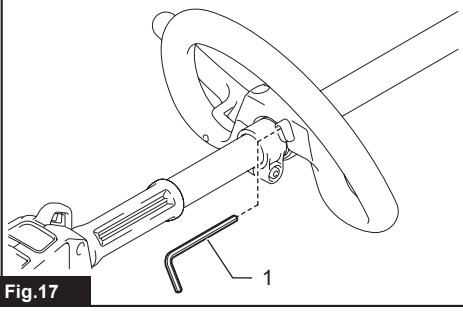
**Fig.19**



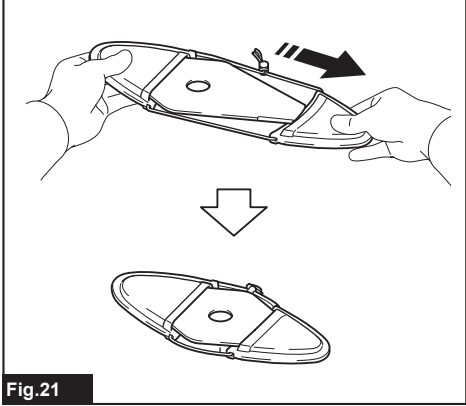
**Fig.16**



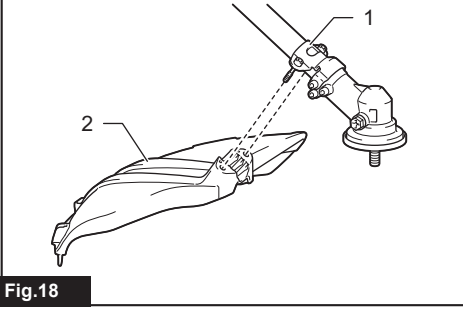
**Fig.20**



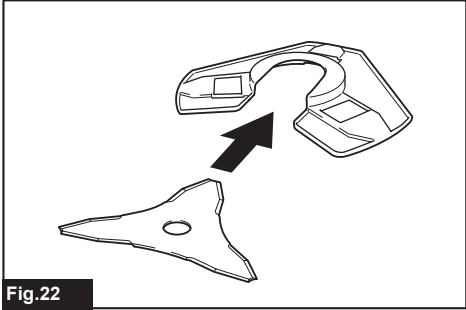
**Fig.17**



**Fig.21**



**Fig.18**



**Fig.22**

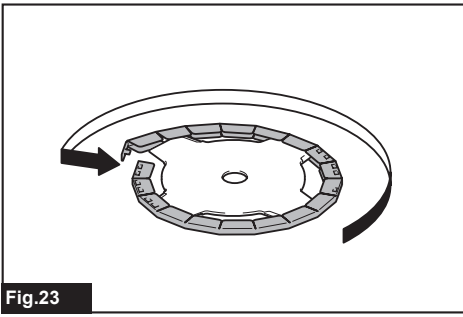


Fig.23

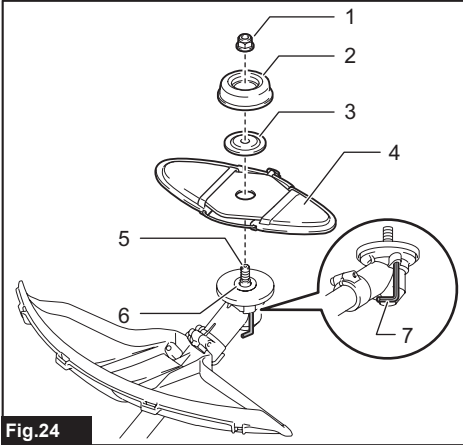


Fig.24

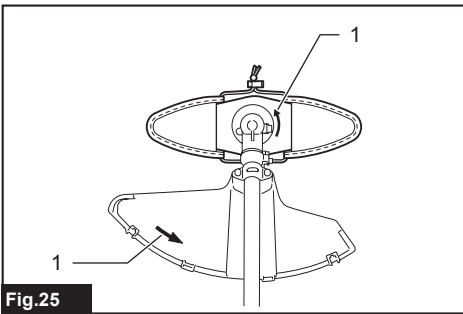


Fig.25

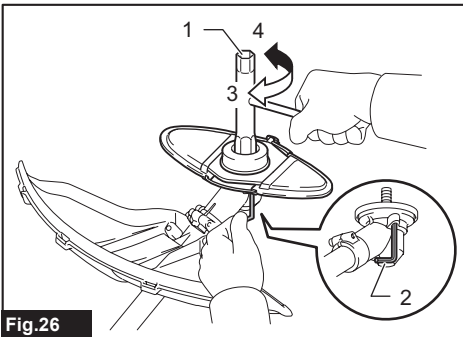


Fig.26

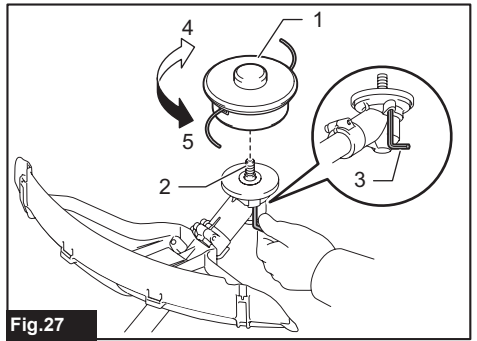


Fig.27

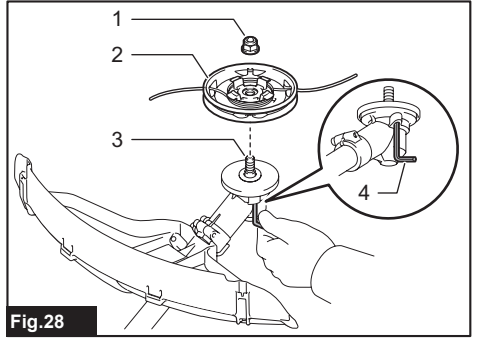


Fig.28

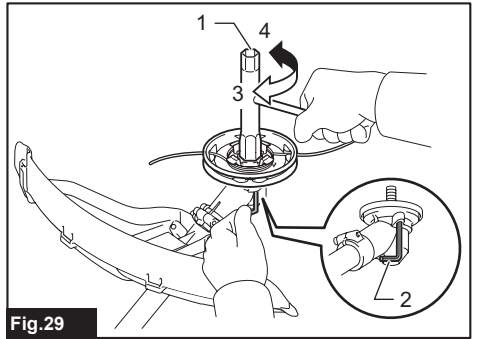


Fig.29

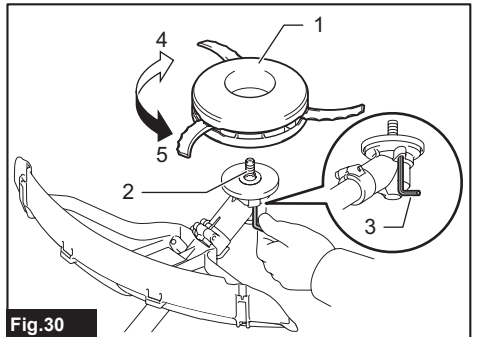


Fig.30

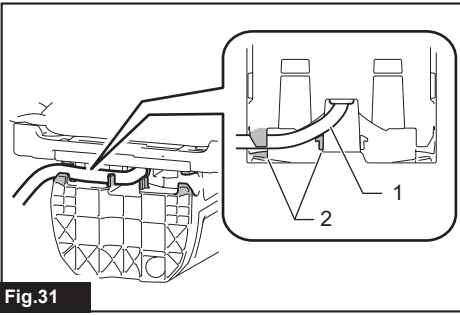


Fig.31

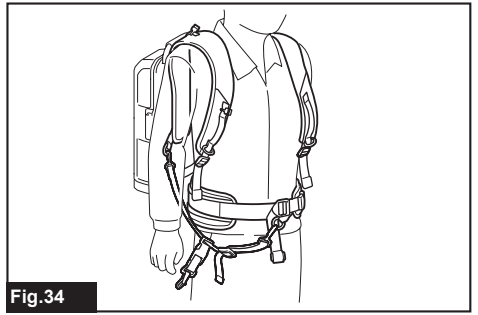


Fig.34

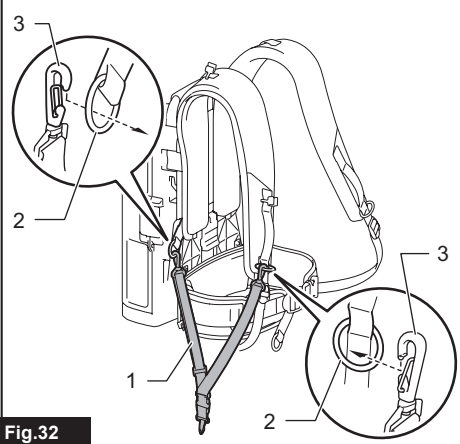


Fig.32

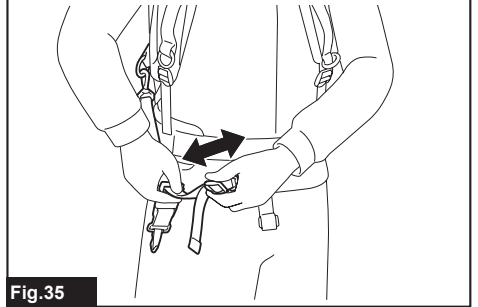


Fig.35

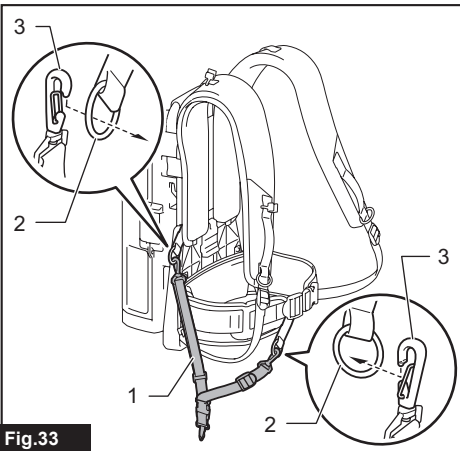


Fig.33

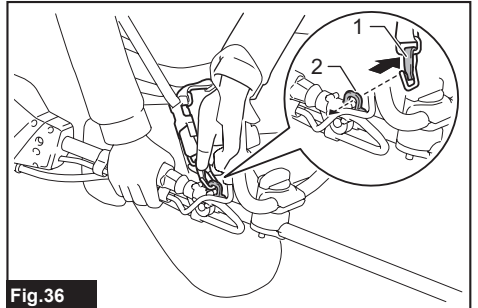


Fig.36

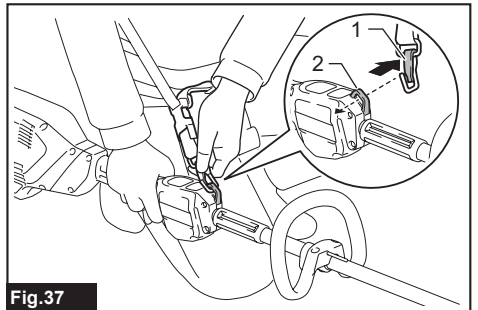


Fig.37

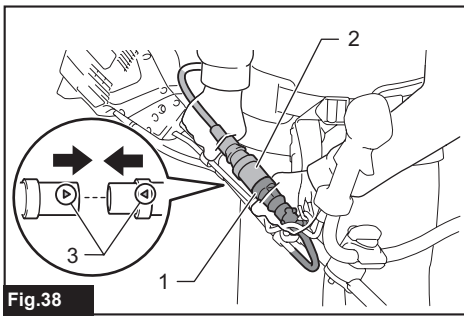


Fig.38

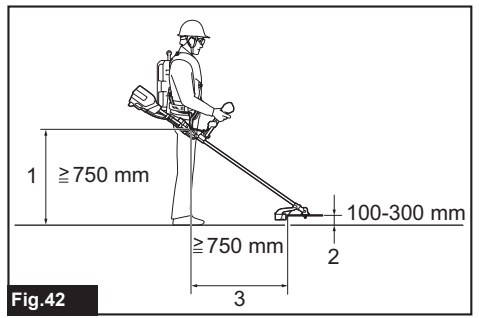


Fig.42

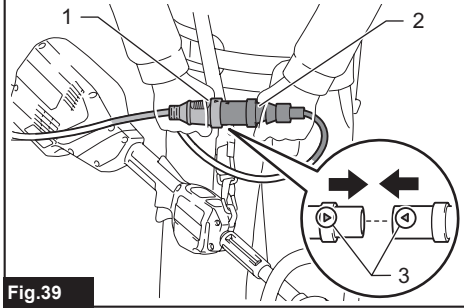


Fig.39

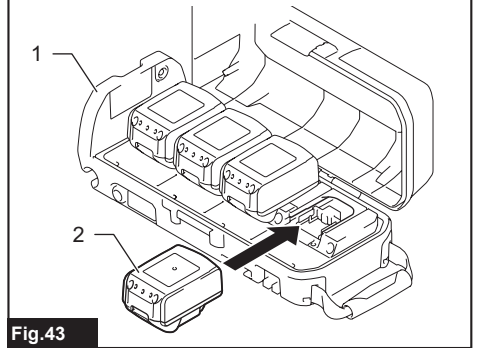


Fig.43

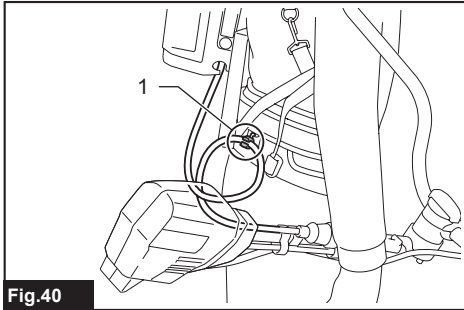


Fig.40

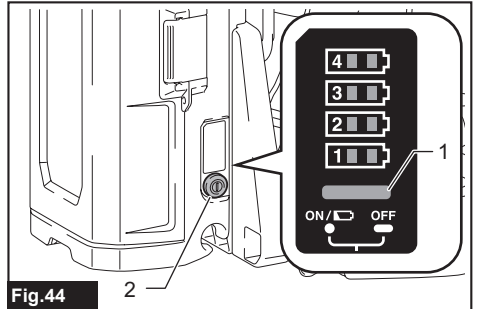


Fig.44

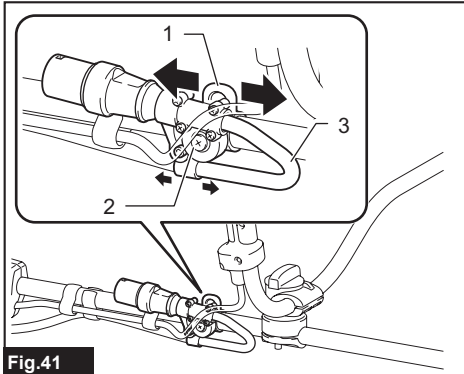


Fig.41

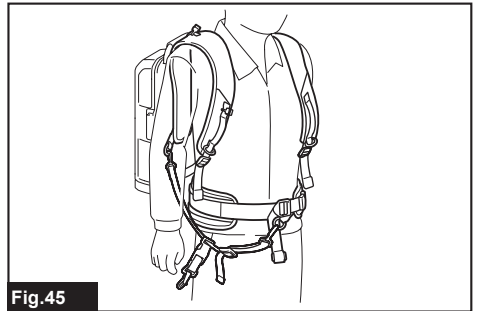


Fig.45



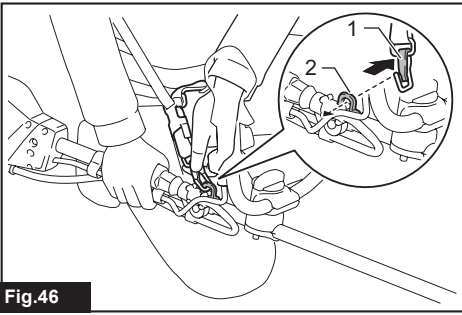


Fig.46

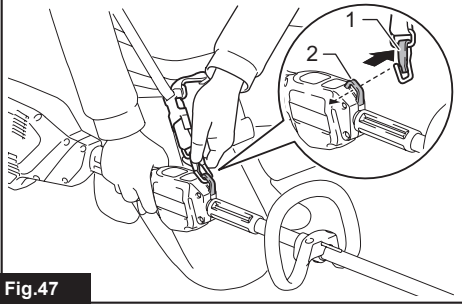


Fig.47

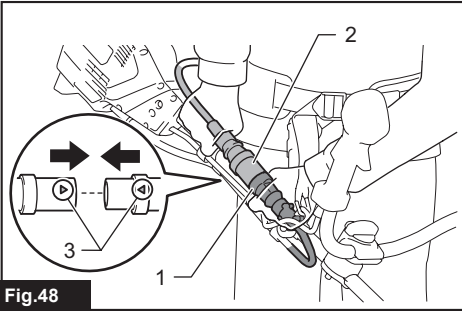


Fig.48

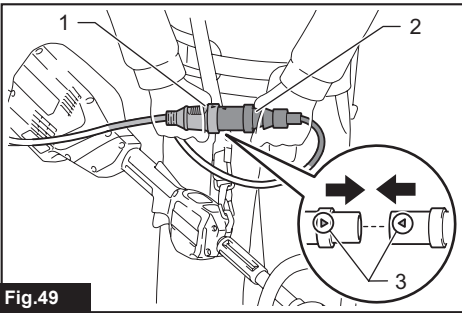


Fig.49

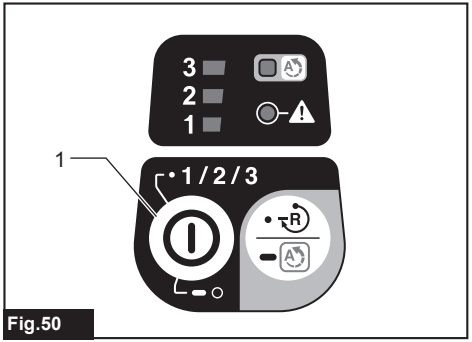


Fig.50

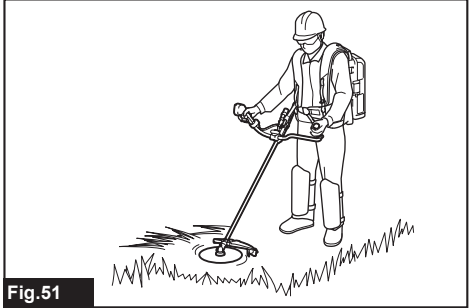


Fig.51

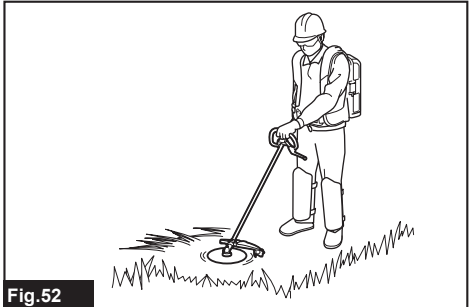


Fig.52

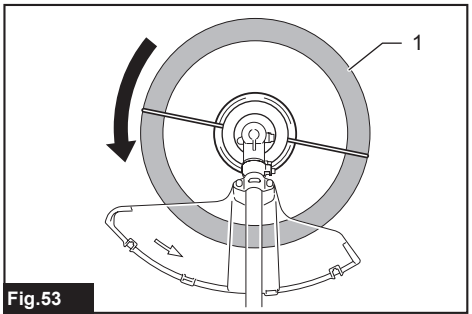


Fig.53

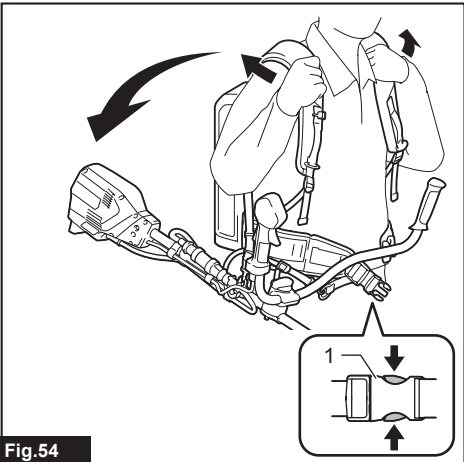


Fig.54

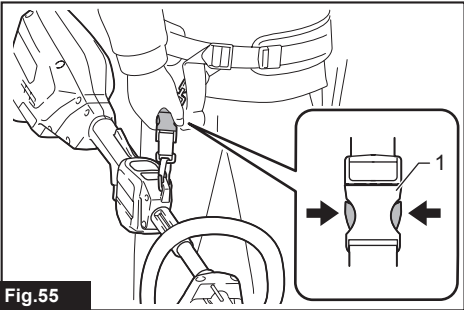


Fig.55

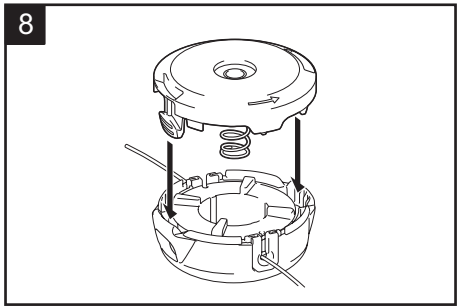
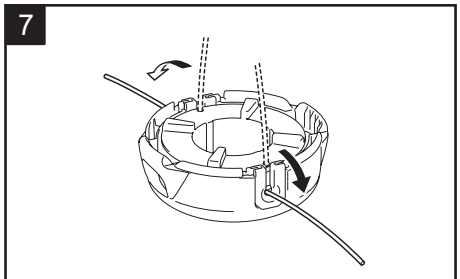
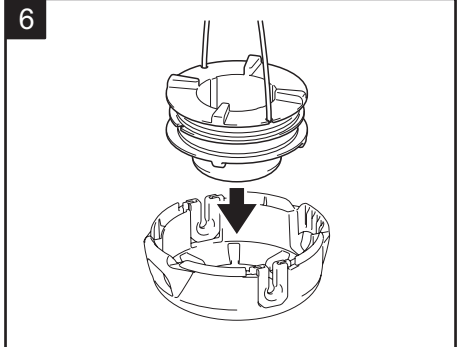
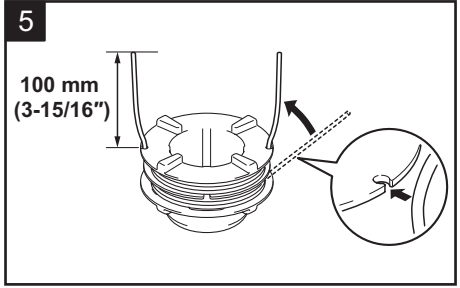
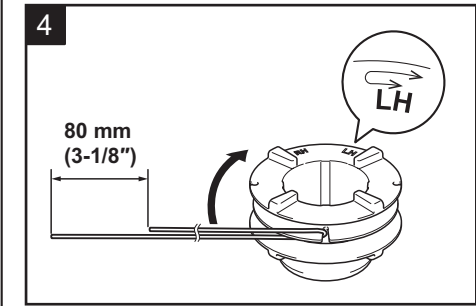
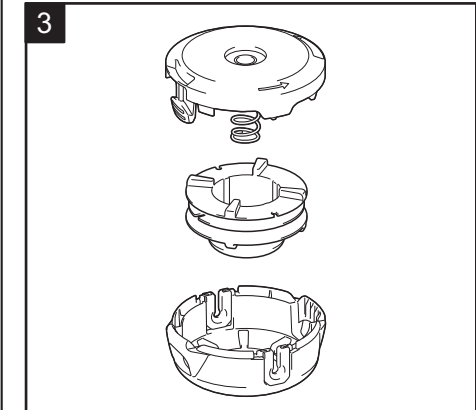
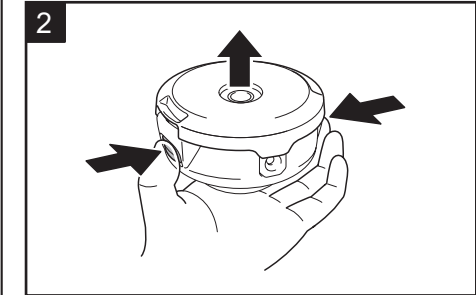
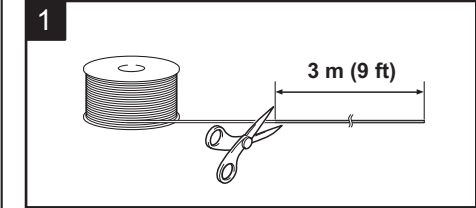


Fig.56

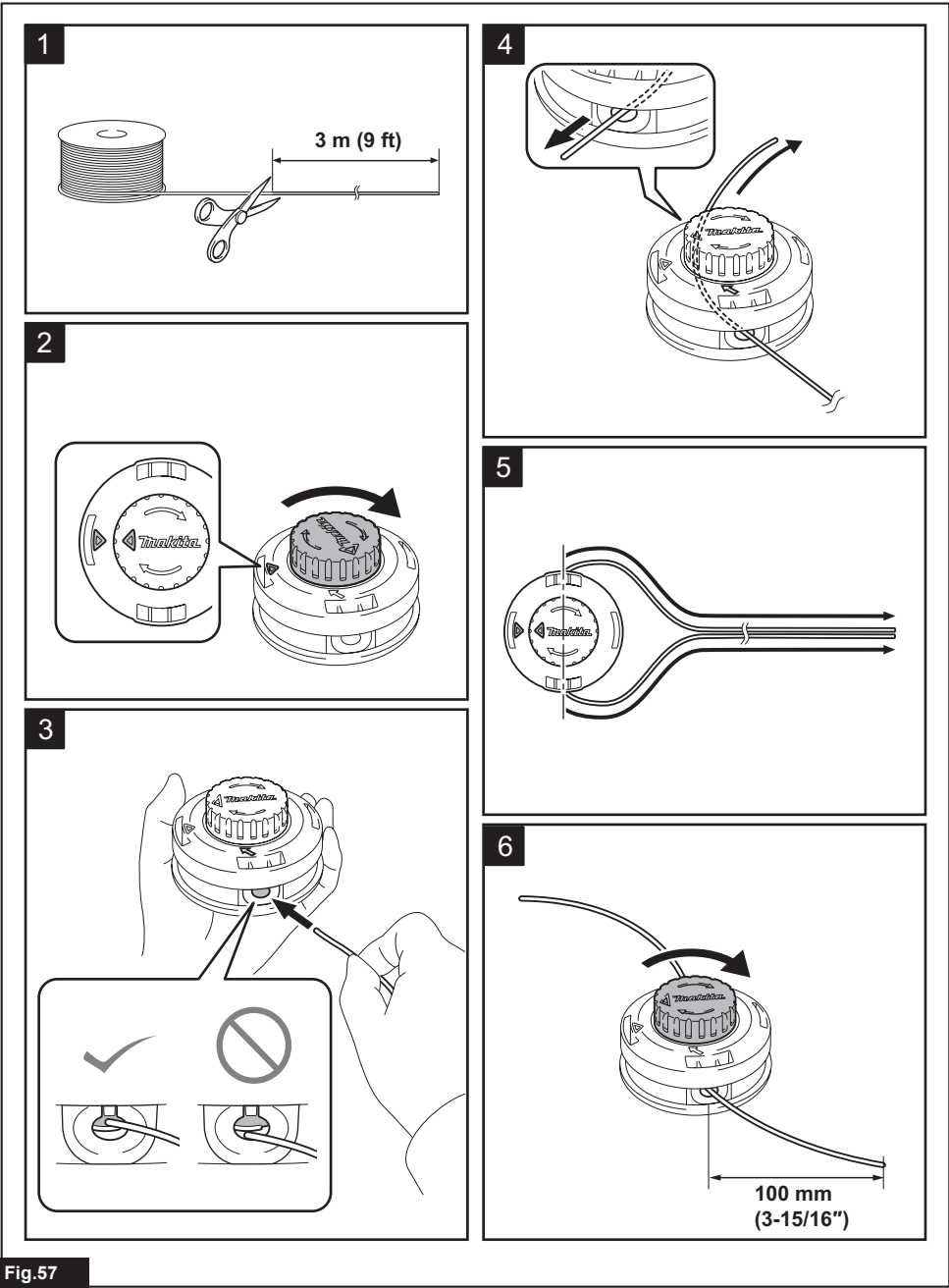
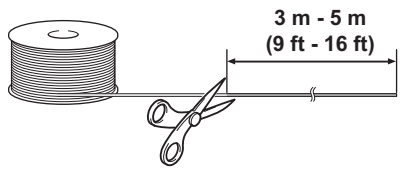
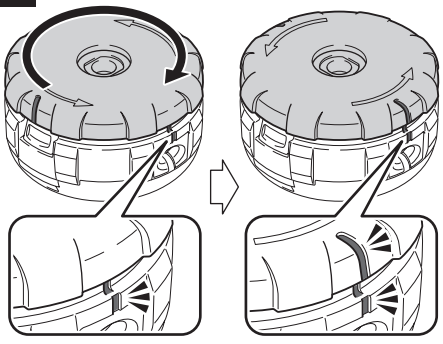


Fig.57

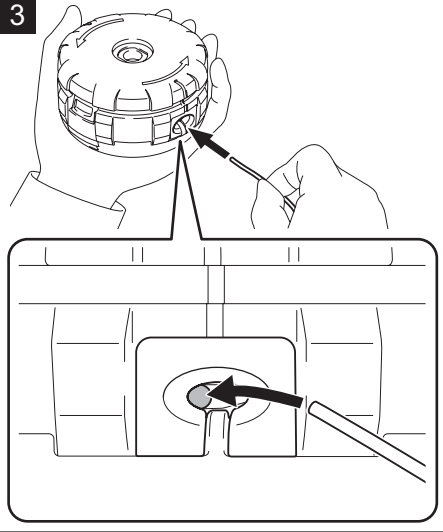
1



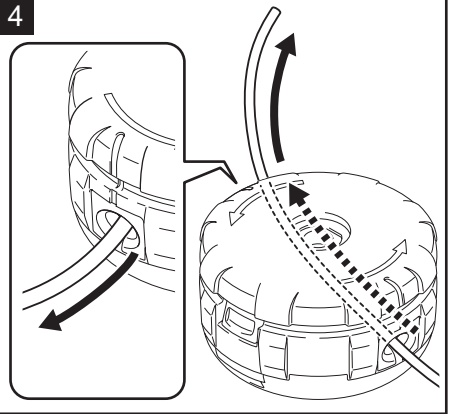
2



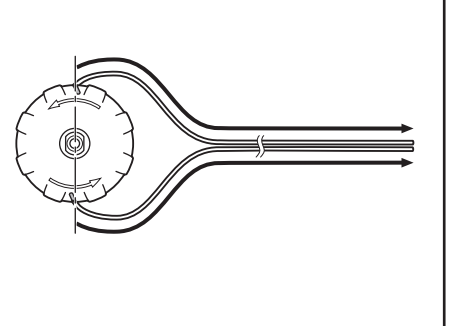
3



4



5



6

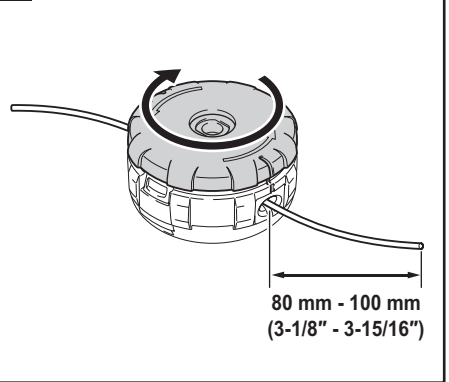


Fig.58

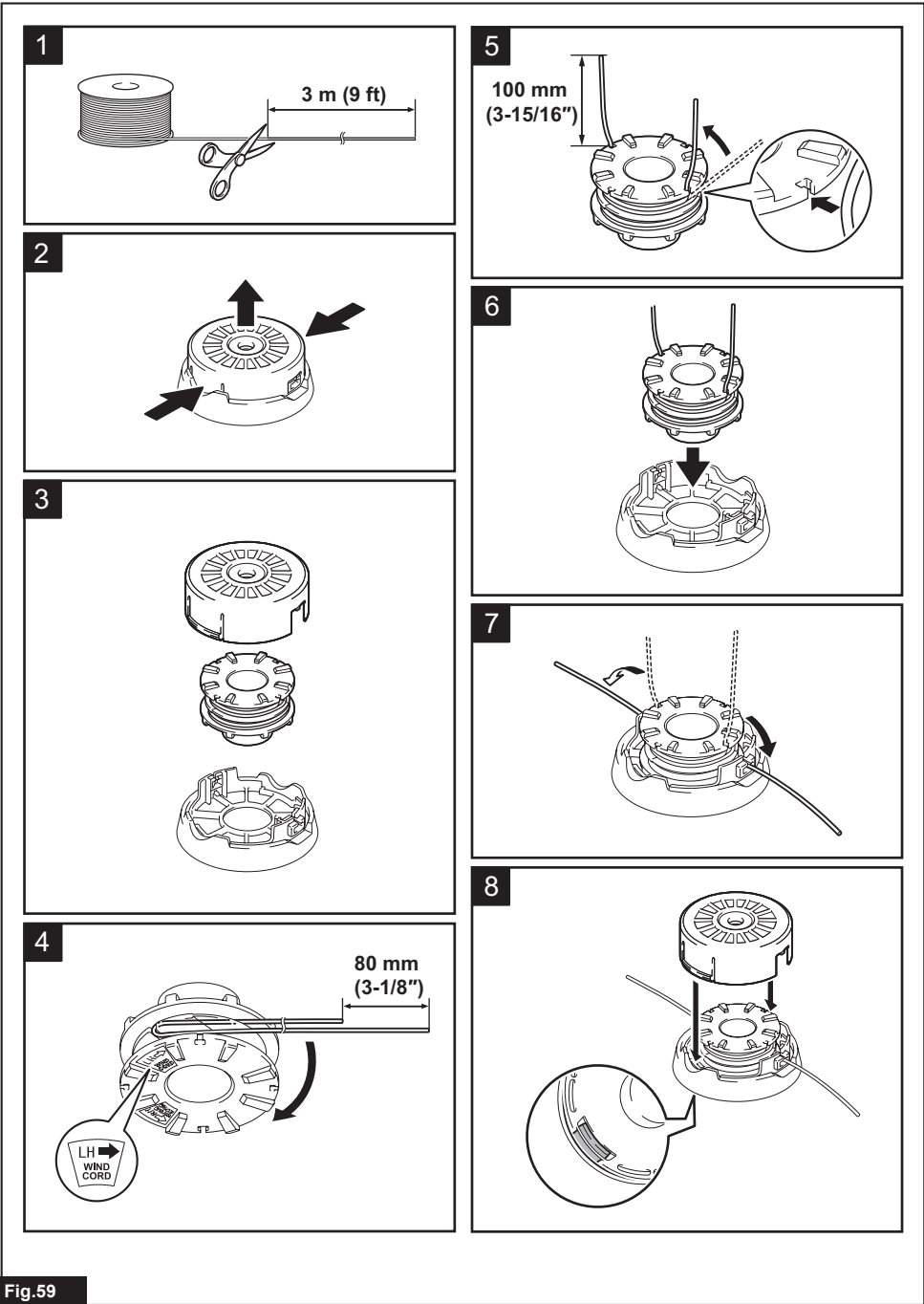
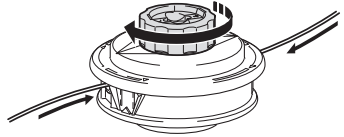
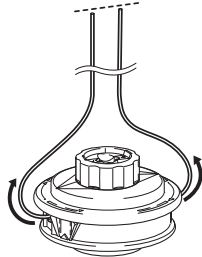
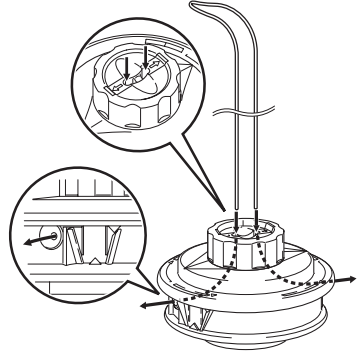
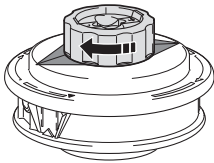
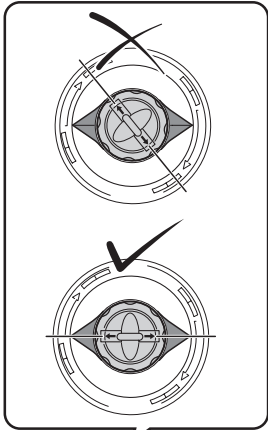
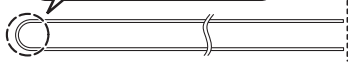
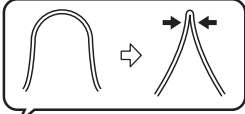
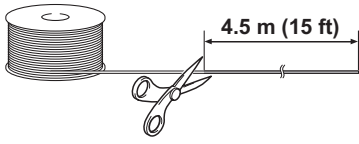


Fig.59



100 mm  
(3-15/16")

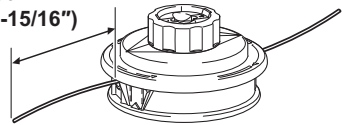
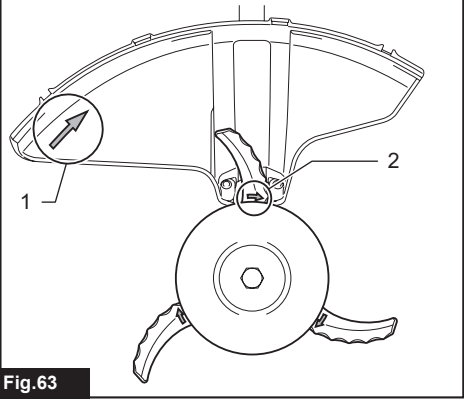
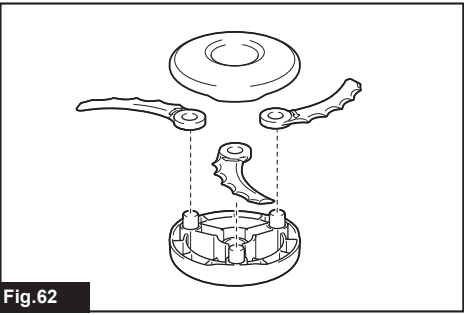
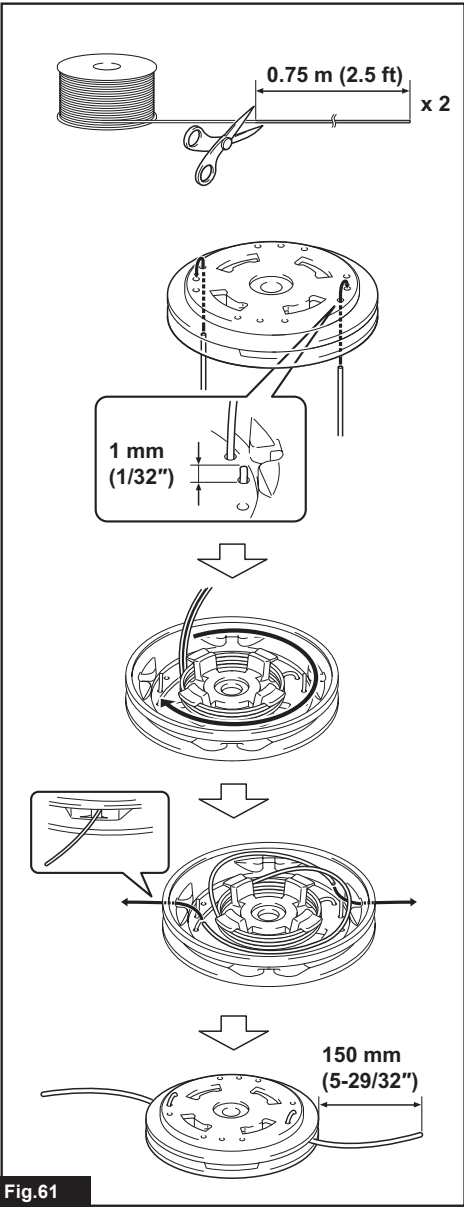


Fig.60





# SPECIFICATIONS

Model:		UR101C	UR201C
Handle type		Bike handle	Loop handle
No load speed (at each rotation speed level)	Cutter blade Plastic blade (305 mm)	3: 0 - 7,000 min <sup>-1</sup> 2: 0 - 5,500 min <sup>-1</sup> 1: 0 - 4,600 min <sup>-1</sup>	
	Nylon cutting head Plastic blade (255 mm)	3: 0 - 5,500 min <sup>-1</sup> 2: 0 - 5,000 min <sup>-1</sup> 1: 0 - 4,600 min <sup>-1</sup>	
Overall length (without cutting tool)		1,760 mm	1,795 mm
Nylon cord diameter		2.4 mm	
Applicable cutting tool and cutting diameter	2-tooth blade (P/N 198345-9)	255 mm	
	3-tooth blade (P/N 195299-1)	255 mm	
	4-tooth blade (P/N 196895-8)	255 mm	
	Nylon cutting head (P/N 197993-1 / 191D90-9 / 1915D7-6)	430 mm	
	Plastic blade (P/N 198383-1) (P/N 199868-0)	255 mm 305 mm	
Rated voltage		D.C. 36 V - 40 V max	
Net weight		5.2 kg	4.7 kg
Protection degree		IPX4	

- Due to our continuing program of research and development, the specifications herein are subject to change without notice.
- Specifications may differ from country to country.
- Weight according to EPTA-Procedure 01/2014

## Recommended cord connected power source

Portable power pack	PDC01 / PDC1200 / PDC1500
---------------------	---------------------------

- The cord connected power source(s) listed above may not be available depending on your region of residence.
- Before using the cord connected power source, read instruction and cautionary markings on them.

## Noise

### Model UR101C

Cutting tool	Sound pressure level (L <sub>pA</sub> ) dB(A)		Sound power level (L <sub>WA</sub> ) dB(A)		Applicable standard
	L <sub>pA</sub> dB(A)	Uncertainty (K) dB(A)	L <sub>WA</sub> dB(A)	Uncertainty (K) dB(A)	
2-tooth blade	81.7	0.5	93.9	0.8	ISO22868(ISO11806-1)
4-tooth blade	83.0	0.3	97.6	0.2	ISO22868(ISO11806-1)
Nylon cutting head	80.0	0.9	91.8	1.0	ISO22868(ISO11806-1)/ EN50636-2-91
Plastic blade	78.0	1.0	87.4	0.7	ISO22868(ISO11806-1)/ EN50636-2-91

### Model UR201C

Cutting tool	Sound pressure level (L <sub>pA</sub> ) dB(A)		Sound power level (L <sub>WA</sub> ) dB(A)		Applicable standard
	L <sub>pA</sub> dB(A)	Uncertainty (K) dB(A)	L <sub>WA</sub> dB(A)	Uncertainty (K) dB(A)	

2-tooth blade	81.7	0.5	93.9	0.8	ISO22868(ISO11806-1)
4-tooth blade	83.0	0.3	97.6	0.2	ISO22868(ISO11806-1)
Nylon cutting head	80.0	0.9	91.8	1.0	ISO22868(ISO11806-1)/ EN50636-2-91
Plastic blade	78.0	1.0	87.4	0.7	ISO22868(ISO11806-1)/ EN50636-2-91

- Even if the sound pressure level listed above is 80 dB (A) or less, the level under working may exceed 80 dB (A). Wear ear protection.

**NOTE:** The declared noise emission value(s) has been measured in accordance with a standard test method and may be used for comparing one tool with another.

**NOTE:** The declared noise emission value(s) may also be used in a preliminary assessment of exposure.

**⚠ WARNING: Wear ear protection.**

**⚠ WARNING:** The noise emission during actual use of the power tool can differ from the declared value(s) depending on the ways in which the tool is used especially what kind of workpiece is processed.

**⚠ WARNING:** Be sure to identify safety measures to protect the operator that are based on an estimation of exposure in the actual conditions of use (taking account of all parts of the operating cycle such as the times when the tool is switched off and when it is running idle in addition to the trigger time).

## Vibration

Applicable standard : ISO22867(ISO11806-1)

### Model UR101C

Cutting tool	Left hand		Right hand	
	$a_{h,w}$ (m/s <sup>2</sup> )	Uncertainty K (m/s <sup>2</sup> )	$a_{h,w}$ (m/s <sup>2</sup> )	Uncertainty K (m/s <sup>2</sup> )
2-tooth blade	≤ 2.5	1.5	≤ 2.5	1.5
4-tooth blade	≤ 2.5	1.5	≤ 2.5	1.5
Nylon cutting head	≤ 2.5	1.5	≤ 2.5	1.5
Plastic blade	≤ 2.5	1.5	≤ 2.5	1.5

### Model UR201C

Cutting tool	Left hand		Right hand	
	$a_{h,w}$ (m/s <sup>2</sup> )	Uncertainty K (m/s <sup>2</sup> )	$a_{h,w}$ (m/s <sup>2</sup> )	Uncertainty K (m/s <sup>2</sup> )
2-tooth blade	≤ 2.5	1.5	≤ 2.5	1.5
4-tooth blade	≤ 2.5	1.5	≤ 2.5	1.5
Nylon cutting head	≤ 2.5	1.5	≤ 2.5	1.5
Plastic blade	≤ 2.5	1.5	≤ 2.5	1.5

**NOTE:** The declared vibration total value(s) has been measured in accordance with a standard test method and may be used for comparing one tool with another.

**NOTE:** The declared vibration total value(s) may also be used in a preliminary assessment of exposure.

**⚠ WARNING:** The vibration emission during actual use of the power tool can differ from the declared value(s) depending on the ways in which the tool is used especially what kind of workpiece is processed.

**⚠ WARNING:** Be sure to identify safety measures to protect the operator that are based on an estimation of exposure in the actual conditions of use (taking account of all parts of the operating cycle such as the times when the tool is switched off and when it is running idle in addition to the trigger time).

## Symbols

The followings show the symbols which may be used for the equipment. Be sure that you understand their meaning before use.






Take particular care and attention.



Read instruction manual.



Keep distance at least 15 m.

	Danger; be aware of thrown objects.
	Caution; kickback
	Wear a helmet, goggles and ear protection.
	Wear protective gloves.
	Wear sturdy boots with nonslip soles. Steelted safety boots are recommended.
	Only for EU countries Due to the presence of hazardous components in the equipment, waste electrical and electronic equipment, accumulators and batteries may have a negative impact on the environment and human health. Do not dispose of electrical and electronic appliances or batteries with household waste! In accordance with the European Directive on waste electrical and electronic equipment and on accumulators and batteries and waste accumulators and batteries, as well as their adaptation to national law, waste electrical equipment, batteries and accumulators should be stored separately and delivered to a separate collection point for municipal waste, operating in accordance with the regulations on environmental protection. This is indicated by the symbol of the crossed-out wheeled bin placed on the equipment.
	Guaranteed sound power level according to EU Outdoor Noise Directive.
	Sound power level according to Australia NSW Noise Control Regulation.

## Declarations of Conformity

### For European countries only

The Declarations of conformity are included in Annex A to this instruction manual.

## SAFETY WARNINGS

### General power tool safety warnings

**⚠WARNING** Read all safety warnings, instructions, illustrations and specifications provided with this power tool. Failure to follow all instructions listed below may result in electric shock, fire and/or serious injury.

### Save all warnings and instructions for future reference.

The term "power tool" in the warnings refers to your mains-operated (corded) power tool or battery-operated (cordless) power tool.

## Important safety instructions for the tool

**⚠WARNING:** Be sure to thoroughly read and understand this instruction manual as well as the instruction manual of the portable power pack to be used with this tool. Failure to follow the warnings and instructions may result in electric shock, fire and/or serious injury.

**⚠WARNING:** Read all safety warnings and all instructions. Failure to follow the warnings and instructions may result in electric shock, fire and/or serious injury.

## Save all warnings and instructions for future reference.

### Intended use

1. This tool is only intended for cutting grass, weeds, bushes and undergrowth. It should not be used for any other purpose such as edging or hedge cutting as this may cause injury.

### General instructions

1. Never allow people unfamiliar with these instructions, people (including children) with reduced physical, sensory or mental capabilities, or lack of experience and knowledge to use the tool. Children should be supervised to ensure that they do not play with the tool.
2. Before starting the tool, read this instruction manual to become familiar with the handling of the tool.
3. Do not lend the tool to a person with insufficient experience or knowledge regarding handling of brushcutters and string trimmers.
4. When lending the tool, always attach this instruction manual.
5. Handle the tool with the utmost care and attention.
6. Never use the tool after consuming alcohol or drugs, or if feeling tired or ill.
7. Never attempt to modify the tool.
8. Follow the regulations about handling of brushcutters and string trimmers in your country.

### Personal protective equipment

► Fig.1

1. Wear safety helmet, protective goggles and protective gloves to protect yourself from flying debris or falling objects.
2. Wear ear protection such as ear muffs to prevent hearing loss.
3. Wear proper clothing and shoes for safe operation, such as a work overall and sturdy, non-slip shoes. Do not wear loose clothing or jewelry. Loose clothes, jewelry or long hair can be caught in moving parts.
4. When touching the cutting blade, wear protective gloves. Cutting blades can cut bare hands

severely.

## Work area safety

1. Operate the tool under good visibility and daylight conditions only. Do not operate the tool in darkness or fog.
2. Do not operate the tool in explosive atmospheres, such as in the presence of flammable liquids, gases or dust. The tool creates sparks which may ignite the dust or fumes.
3. During operation, never stand on an unstable or slippery surface or a steep slope. During the cold season, beware of ice and snow and always ensure secure footing.
4. During operation, keep bystanders or animals at least 15 m away from the tool. Stop the tool as soon as someone approaches.
5. Never operate the tool while people, especially children, or pets are nearby.
6. Before operation, examine the work area for stones or other solid objects. They can be thrown or cause dangerous kickback and result in serious injury and/or property damage.
7. **⚠️WARNING:** Use of this product can create dust containing chemicals which may cause respiratory or other illnesses. Some examples of these chemicals are compounds found in pesticides, insecticides, fertilizers and herbicides. Your risk from these exposures varies, depending on how often you do this type of work. To reduce your exposure to these chemicals: work in a well ventilated area, and work with approved safety equipment, such as those dust masks that are specially designed to filter out microscopic particles.

## Electrical and battery safety

1. Do not expose the tool to rain or wet conditions. Water entering the tool will increase the risk of electric shock.
2. Do not use the tool if the switch does not turn it on and off. Any tool that cannot be controlled with the switch is dangerous and must be repaired.
3. Prevent unintentional starting. Ensure the switch is in the off-position before picking up or carrying the tool. Carrying the tool with your finger on the switch or energising the tool that have the switch on invites accidents.
4. Do not dispose of the battery(ies) in a fire. The cell may explode. Check with local codes for possible special disposal instructions.
5. Do not open or mutilate the battery(ies). Released electrolyte is corrosive and may cause damage to the eyes or skin. It may be toxic if swallowed.
6. Do not charge battery in rain, or in wet locations.
7. Do not replace the battery with wet hands.
8. Do not replace the battery in the rain.
9. Do not wet the terminal of battery with liquid such as water, or submerge the battery. Do not leave the battery in the rain, nor charge, use, or store the battery in a damp or wet place. If

the terminal gets wet or liquid enters inside of battery, the battery may be short circuited and there is a risk of overheat, fire, or explosion.

10. Do not connect/disconnect the plug to/from the socket of the portable power pack in the rain or wet conditions. Do not leave, use, or store the tool and portable power pack in the rain or a damp or wet place. Doing so may cause electric shock.
11. After removing the battery from the portable power pack or charger, be sure to attach the battery cover to the battery and store it in a dry place.
12. If the battery cartridge gets wet, drain the water inside and then wipe it with a dry cloth. Dry the battery cartridge completely in a dry place before use.

## Putting into operation

1. Before assembling or adjusting the tool, disconnect the portable power pack from the tool.
2. Before handling the cutter blade, wear protective gloves.
3. Before connecting the portable power pack to the tool, inspect the tool for damages, loose screws/nuts or improper assembly. Sharpen blunt cutter blade. If the cutter blade is bent or damaged, replace it. Check all control levers and switches for easy action. Clean and dry the handles.
4. Never attempt to switch on the tool if it is damaged or not fully assembled. Otherwise serious injury may result.
5. Adjust the shoulder harness and hand grip to suit the operator's body size.
6. When connecting the portable power pack to the tool, keep the cutting attachment clear of your body and other object, including the ground. It may rotate when starting and may cause injury or damage to the tool and/or property.
7. Remove any adjusting key, wrench or blade cover before turning the tool on. An accessory left attached to a rotating part of the tool may result in personal injury.
8. The cutting tool has to be equipped with the guard. Never run the tool with damaged guards or without guards in place!
9. Make sure there are no electrical cables, water pipes, gas pipes etc. that could cause a hazard if damaged by use of the tool.

## Operation

1. In the event of an emergency, switch off the tool immediately.
2. If you feel any unusual condition (e.g. noise, vibration) during operation, switch off the tool and disconnect the portable power pack from the tool. Do not use the tool until the cause is recognized and solved.
3. The cutting attachment continues to rotate for a short period after turning the tool off. Don't rush to contact the cutting attachment.
4. During operation, use the shoulder harness. Keep the tool on your right side firmly.

5. **Do not overreach. Keep proper footing and balance at all times. Watch for hidden obstacles such as tree stumps, roots and ditches to avoid stumbling.**
6. **Always be sure of your footing on slopes.**
7. **Walk, never run.**
8. **Never work on a ladder or tree to avoid loss of control.**
9. **If the tool gets heavy impact or fall, check the condition before continuing work. Check the controls and safety devices for malfunction. If there is any damage or doubt, ask our authorized service center for the inspection and repair.**
10. **Do not touch the gear case during and immediately after the operation.** The gear case becomes hot during operation and can cause burn injury.
11. **Take a rest to prevent loss of control caused by fatigue.** We recommend taking a 10 to 20-minute rest every hour.
12. **When you leave the tool, even if it is a short time, always disconnect the portable power pack from the tool.** The unattended tool with the battery cartridge installed may be used by unauthorized person and cause serious accident.
13. **If grass or branches get caught between the cutting attachment and guard, always turn the tool off and disconnect the portable power pack from the tool.** Otherwise the cutting attachment may rotate unintentionally and cause serious injury.
14. **Never touch moving hazardous parts before the moving hazardous parts have come to a complete stop and the portable power pack is disconnected from the tool.**
15. **If the cutting attachment hits stones or other hard objects, immediately turn the tool off. Then disconnect the portable power pack from the tool and inspect the cutting attachment.**
16. **Check the cutting attachment frequently during operation for cracks or damages. Before the inspection, disconnect the portable power pack from the tool and make sure that the cutting attachment stops completely. Replace damaged cutting attachment immediately, even if it has only superficial cracks.**
17. **Never cut above waist height.**
18. **Before starting the cutting operation, wait until the cutting attachment reaches a constant speed after turning the tool on.**
19. **When using a cutting blade, swing the tool evenly in half-circle from right to left, like using a scythe.**
20. **Hold the tool by insulated gripping surfaces only, because the cutter blade may contact hidden wiring. Cutter blades contacting a "live" wire may make exposed metal parts of the tool "live" and could give the operator an electric shock.**
21. **Do not start the tool when the cutting tool is tangled with cut grass.**
22. **Before starting the tool, be sure that the cutting tool is not touching the ground and other obstacles such as a tree.**
23. **During operation always hold the tool with both hands. Never hold the tool with one hand during use.**
24. **Do not use the tool when there is a risk of lightning.**
25. **When you use the tool on muddy ground, wet slope, or slippery place, pay attention to your footing.**
26. **Avoid working in poor environment where increased user fatigue is expected.**
27. **Do not use the tool in bad weather where visibility is limited.** Failure to do so may cause fall or incorrect operation due to low visibility.
28. **Do not submerge the tool into a puddle.**
29. **Do not leave the tool unattended outdoors in the rain.**
30. **When wet leaves or dirt adhere to the suction mouth (ventilation window) due to rain, remove them.**
31. **Do not use the tool in the snow.**

## Cutting tools

1. **Do not use a cutting tool which is not recommended by Makita.**
2. **Use an applicable cutting attachment for the job in hand.**
  - Nylon cutting heads (string trimmer heads) and plastic blades are suitable for trimming lawn grass.
  - Cutting blades are suitable for cutting weeds, high grasses, bushes, shrubs, underwood, thicket, and the like.
  - Never use other blades including metal multi-piece pivoting chains and flail blades. It may result in serious injury.
3. **Only use the cutting tool that are marked with a speed equal or higher than the speed marked on the tool.**
4. **Always keep your hands, face, and clothes away from the cutting tool when it is rotating.** Failure to do so may cause personal injury.
5. **Always use the cutting attachment guard properly suited for the cutting attachment used.**
6. **When using cutting blades, avoid kickback and always prepare for an accidental kickback. See the section for Kickback.**
7. **When not in use, attach the blade cover onto the blade. Remove the cover before operation.**

## Kickback (Blade thrust)

1. **Kickback (blade thrust) is a sudden reaction to a caught or bound cutting blade. Once it occurs, the tool is thrown sideways or toward the operator at great force and it may cause serious injury.**
2. **Kickback occurs particularly when applying the blade segment between 12 and 2 o'clock to solids, bushes and trees with 3 cm or larger diameter.**

► Fig.2

3. **To avoid kickback:**

1. **Apply the segment between 8 and 11 o'clock.**
2. **Never apply the segment between 12 and 2 o'clock.**
3. **Never apply the segment between 11 and 12 o'clock and between 2 and 5 o'clock, unless the operator is well trained and experienced and does it at his/her own risk.**
4. **Never use cutting blades close to solids, such as fences, walls, tree trunks and stones.**
5. **Never use cutting blades vertically, for such operations as edging and trimming hedges.**

► Fig.3

## Vibration

1. **People with poor circulation who are exposed to excessive vibration may experience injury to blood vessels or the nervous system.**  
Vibration may cause the following symptoms to occur in the fingers, hands or wrists: "Falling asleep" (numbness), tingling, pain, stabbing sensation, alteration of skin color or of the skin. If any of these symptoms occur, see a physician!
2. **To reduce the risk of "white finger disease", keep your hands warm during operation and well maintain the tool and accessories.**

## Transport

1. **Before transporting the tool, turn it off and disconnect the portable power pack from the tool. Attach the cover to the cutting blade.**
2. **When transporting the tool, carry it in a horizontal position by holding the shaft.**
3. **When transporting the tool in a vehicle, properly secure it to avoid turnover. Otherwise damage to the tool and other baggage may result.**

## Maintenance

1. **Have your tool serviced by our authorized service center, always using only genuine replacement parts.** Incorrect repair and poor maintenance can shorten the life of the tool and increase the risk of accidents.
2. **Before doing any maintenance or repair work or cleaning the tool, always turn it off and disconnect the portable power pack from the tool.**
3. **Always wear protective gloves when handling the cutting blade.**
4. **Always clean dust and dirt off the tool. Never use gasoline, benzine, thinner, alcohol or the like for the purpose.** Discoloration, deformation or cracks of the plastic components may result.
5. **After each use, tighten all screws and nuts.**
6. **Do not attempt any maintenance or repair not described in the instruction manual. Ask our authorized service center for such work.**
7. **Always use our genuine spare parts and accessories only.** Using parts or accessories supplied by a third party may result in the tool

breakdown, property damage and/or serious injury.

8. **Request our authorized service center to inspect and maintain the tool at regular interval.**
9. **Always keep the tool in good working condition.** Poor maintenance can result in inferior performance and shorten the life of the tool.
10. **Do not wash the tool with high pressure water.**
11. **When washing the tool, do not let water enter the electrical mechanism such as motor and terminals.**
12. **When storing the tool, avoid direct sunlight and rain, and store it in a place where it does not get hot or humid.**
13. **Perform inspection or maintenance in a place where rain can be avoided.**
14. **After using the tool, remove the adhered dirt and dry the tool completely before storing.** Depending on the season or the area, there is a risk of malfunction due to freezing.
15. **Keep all cooling air inlets clear of debris.**

## Storage

1. **Before storing the tool, perform full cleaning and maintenance. Disconnect the portable power pack from the tool. Attach the cover to the cutting blade.**
2. **Store the tool in a dry and high or locked location out of reach of children.**
3. **Do not prop the tool against something, such as a wall. Otherwise it may fall suddenly and cause an injury.**

## First aid

1. **Always have a first-aid kit close by. Immediately replace any item taken from the first aid kit.**
2. **When asking for help, give the following information:**
  - Place of the accident
  - What happened
  - Number of injured persons
  - Nature of the injury
  - Your name

## Important safety instructions for battery cartridge

1. **Before using battery cartridge, read all instructions and cautionary markings on (1) battery charger, (2) battery, and (3) product using battery.**
2. **Do not disassemble or tamper with the battery cartridge.** It may result in a fire, excessive heat, or explosion.
3. **If operating time has become excessively shorter, stop operating immediately. It may result in a risk of overheating, possible burns and even an explosion.**
4. **If electrolyte gets into your eyes, rinse them out with clear water and seek medical attention right away. It may result in loss of your**

eyesight.

5. **Do not short the battery cartridge:**
  - (1) Do not touch the terminals with any conductive material.
  - (2) Avoid storing battery cartridge in a container with other metal objects such as nails, coins, etc.
  - (3) Do not expose battery cartridge to water or rain.
6. **Do not store and use the tool and battery cartridge in locations where the temperature may reach or exceed 50 °C (122 °F).**
7. **Do not incinerate the battery cartridge even if it is severely damaged or is completely worn out. The battery cartridge can explode in a fire.**
8. **Do not nail, cut, crush, throw, drop the battery cartridge, or hit against a hard object to the battery cartridge.** Such conduct may result in a fire, excessive heat, or explosion.
9. **Do not use a damaged battery.**
10. **The contained lithium-ion batteries are subject to the Dangerous Goods Legislation requirements.**

For commercial transports e.g. by third parties, forwarding agents, special requirement on packaging and labeling must be observed. For preparation of the item being shipped, consulting an expert for hazardous material is required. Please also observe possibly more detailed national regulations.

Tape or mask off open contacts and pack up the battery in such a manner that it cannot move around in the packaging.

11. **When disposing the battery cartridge, remove it from the tool and dispose of it in a safe place. Follow your local regulations relating to disposal of battery.**
12. **Use the batteries only with the products specified by Makita.** Installing the batteries to non-compliant products may result in a fire, excessive heat, explosion, or leak of electrolyte.
13. **If the tool is not used for a long period of time, the battery must be removed from the tool.**

14. **During and after use, the battery cartridge may take on heat which can cause burns or low temperature burns. Pay attention to the handling of hot battery cartridges.**
15. **Do not touch the terminal of the tool immediately after use as it may get hot enough to cause burns.**
16. **Do not allow chips, dust, or soil stuck into the terminals, holes, and grooves of the battery cartridge.** It may cause heating, catching fire, burst and malfunction of the tool or battery cartridge, resulting in burns or personal injury.
17. **Unless the tool supports the use near high-voltage electrical power lines, do not use the battery cartridge near high-voltage electrical power lines.** It may result in a malfunction or breakdown of the tool or battery cartridge.
18. **Keep the battery away from children.**

## SAVE THESE INSTRUCTIONS.

**⚠ CAUTION:** Only use genuine Makita batteries. Use of non-genuine Makita batteries, or batteries that have been altered, may result in the battery bursting causing fires, personal injury and damage. It will also void the Makita warranty for the Makita tool and charger.

## Tips for maintaining maximum battery life

1. **Charge the battery cartridge before completely discharged. Always stop tool operation and charge the battery cartridge when you notice less tool power.**
2. **Never recharge a fully charged battery cartridge. Overcharging shortens the battery service life.**
3. **Charge the battery cartridge with room temperature at 10 °C - 40 °C (50 °F - 104 °F). Let a hot battery cartridge cool down before charging it.**
4. **When not using the battery cartridge, remove it from the tool or the charger.**
5. **Charge the battery cartridge if you do not use it for a long period (more than six months).**

## PARTS DESCRIPTION

► Fig.4

1	Speed indicator	2	ADT indicator (ADT = Automatic Torque Drive Technology)	3	Caution lamp	4	Main power button
5	Reverse button	6	Plug	7	Lock-off lever	8	Switch trigger
9	Hanger	10	Handle	11	Barrier	12	Knob
13	Protector	14	Protector extension (for nylon cutting head / plastic blade)	15	Hanging band	-	-

# FUNCTIONAL DESCRIPTION

**⚠ WARNING:** Always be sure that the tool is switched off and the portable power pack is disconnected from the tool before adjusting or checking function on the tool. Failure to switch off and disconnect the portable power pack may result in serious personal injury from accidental start-up.

## Tool / battery protection system

The tool is equipped with a tool/battery protection system. This system automatically cuts off power to the motor to extend tool and battery life. The tool will automatically stop during operation if the tool is placed under one of the following conditions:

Caution lamp		Status
Color	● On    ● Blinking	
Green	●	Overload
Red	● (tool) / ● (battery)	Overheat
Red	●	Over discharge

## Overload protection

If the tool gets into one of the following situation, the tool automatically stops and the caution lamp starts blinking in green:

- The tool is overloaded by entangled weeds or other debris.
- The cutting tool is locked or kicked back.
- The main power button is turned on while the switch trigger is being pulled.

In this situation, release the switch trigger and remove entangled weeds or debris if necessary. After that, pull the switch trigger again to resume.

**⚠ CAUTION:** If you need to remove the entangled weeds on the tool or release the locked cutting tool, be sure to turn the tool off before you start.

## Overheat protection for tool or battery

If the tool or battery cartridge is overheated, the tool stops automatically. When the tool is overheated, the caution lamp lights up in red. When the battery cartridge is overheated, the caution lamp blinks in red. Let the tool and/or battery cool down before turning the tool on again.

## Overdischarge protection

When the battery capacity becomes low, the tool stops automatically and the caution lamp starts blinking in red. If the tool does not operate even when the switches are operated, remove the battery cartridge from the tool and charge it.

## Main power switch

Tap the main power button to turn on the tool. To turn off the tool, press and hold the main power button until the speed indicator goes off.

► Fig.5: 1. Speed indicator 2. Main power button

**NOTE:** The tool will automatically turned off if it is left without any operations for a certain period of time.

## Switch action

**⚠ WARNING:** For your safety, this tool is equipped with lock-off lever which prevents the tool from unintended starting. NEVER use the tool if it runs when you simply pull the switch trigger without pressing the lock-off lever. Return the tool to our authorized service center for proper repairs BEFORE further usage.

**⚠ WARNING:** NEVER tape down or defeat purpose and function of lock-off lever.

**⚠ CAUTION:** Before connecting the portable power pack to the tool, always check to see that the switch trigger actuates properly and returns to the "OFF" position when released. Operating a tool with a switch that does not actuate properly can lead to loss of control and serious personal injury.

**⚠ CAUTION:** Never put your finger on the main power button and switch trigger when carrying the tool. The tool may start unintentionally and cause injury.

**NOTICE:** Do not pull the switch trigger hard without pressing the lock-off lever. This can cause switch breakage.

To prevent the switch trigger from being accidentally pulled, a lock-off lever is provided. To start the tool, depress the lock-off lever and pull the switch trigger. The tool speed increases by increasing pressure on the switch trigger. Release the switch trigger to stop.

UR101C

► Fig.6: 1. Lock-off lever 2. Switch trigger

UR201C










► Fig.7: 1. Lock-off lever 2. Switch trigger

## Speed adjusting

You can select the tool speed by tapping the main power button. Each time you tap the main power button, the level of speed will change. The tool automatically adjusts the rotation speed according to the cutting tool attached to the tool.

► Fig.8: 1. Speed indicator 2. Main power button



Speed indicator	Mode	Rotation speed	
		Cutter blade Plastic blade (305 mm)	Nylon cutting head Plastic blade (255 mm)
3  2  1 	High	0 - 7,000 min <sup>-1</sup>	0 - 5,500 min <sup>-1</sup>
3  2  1 	Medium	0 - 5,500 min <sup>-1</sup>	0 - 5,000 min <sup>-1</sup>
3  2  1 	Low	0 - 4,600 min <sup>-1</sup>	0 - 4,600 min <sup>-1</sup>


## Automatic Torque Drive Technology

When you turn on the Automatic Torque Drive Technology (ADT), the tool runs at optimum rotation speed and torque for the condition of grass being cut. The tool automatically detects the cutting tool attached and chooses a suitable rotation speed.

To start ADT, press and hold the reverse button until the ADT indicator turns on.

To stop ADT, press and hold the reverse button until the ADT indicator turns off.

► **Fig.9:** 1. ADT indicator 2. Reverse button

Indicator	Mode	Cutting tool	Rotation speed
	ADT	Cutter blade Plastic blade (305 mm)	3,500 - 7,000 min <sup>-1</sup>
		Nylon cutting head Plastic blade (255 mm)	3,500 - 5,500 min <sup>-1</sup>

## Reverse button for debris removal

**⚠ WARNING:** Switch off the tool and disconnect the portable power pack from the tool before you remove entangled weeds or debris which the reverse rotation function can not remove. Failure to do so may result in serious personal injury from accidental start-up.

This tool has a reverse button to change the direction of rotation. It is only for removing weeds and debris entangled in the tool.

To reverse the rotation, tap the reverse button and pull the switch trigger while depressing the lock-off lever when the cutting tool is stopped. The speed indicators and ADT indicator start blinking, and the cutting tool rotates in reverse direction when you pull the switch trigger.

To return to regular rotation, release the trigger and wait until the cutting tool stops.

► **Fig.10:** 1. Speed indicator 2. ADT indicator 3. Reverse button

**NOTE:** During the reverse rotation, the tool operates only for a short period of time and then automatically stops.

**NOTE:** Once the tool is stopped, the rotation returns to regular direction when you start the tool again.

**NOTE:** If you tap the reverse button while the cutting tool is still rotating, the tool comes to stop and to be ready for reverse rotation.

## Electric brake

This tool is equipped with an electric brake. If the tool consistently fails to quickly stop after the switch trigger is released, have the tool serviced at our service center.

**⚠ CAUTION:** This brake system is not a substitute for the protector. Never use the tool without the protector. An unguarded cutting tool may result in serious personal injury.

## Electronic function

### Constant speed control

The speed control function provides the constant rotation speed regardless of load conditions.

### Soft start feature

Soft start because of suppressed starting shock.

## ASSEMBLY

**⚠ WARNING:** Always be sure that the tool is switched off and the portable power pack is disconnected from the tool before carrying out any work on the tool. Failure to switch off and disconnect the portable power pack may result in serious personal injury from accidental start-up.

**⚠ WARNING:** Never start the tool unless it is completely assembled. Operation of the tool in a partially assembled state may result in serious personal injury from accidental start-up.

## Installing the handle

For UR101C

1. Insert the shaft of the handle into the grip. Align the screw hole in the grip with the one in the shaft. Tighten the screw securely.

► **Fig.11:** 1. Grip 2. Screw 3. Shaft

**NOTICE:** Note the direction of the grip. The screw holes will not be aligned if the grip is not inserted in the correct direction.

2. Place the spring onto the base.

► **Fig.12:** 1. Knob 2. Handle clamp 3. Handle 4. Handle holder 5. Spring 6. Base

3. Place the handle between the handle clamp and handle holder.

4. Temporarily attach the handle by tightening the knob, and adjust the handle position.

5. Fully tighten the knob.

**For UR201C**

1. Attach the upper and lower clamps on the damper.

2. Put the handle on the upper clamp and fix it with hex socket head bolts as illustrated.

► **Fig.13:** 1. Hex socket head bolt 2. Handle 3. Upper clamp 4. Damper 5. Lower clamp

**Attaching the barrier**

**For the loop handle model only (country specific)**

If the barrier is included in your model, attach it to the handle using the screw on the barrier.

► **Fig.14:** 1. Barrier 2. Screw

**CAUTION:** After assembling the barrier, do not remove it. The barrier works as a safety part to prevent you from contacting the cutting blade accidentally.

**Hex wrench storage**

**CAUTION:** Be careful not to leave the hex wrench inserted in the tool head. It may cause injury and/or damage to the tool.

When not in use, store the hex wrench as illustrated to keep it from being lost.

► **Fig.15:** 1. Hex wrench

For the bike handle model, the hex wrench can be stored on the handle clamp as illustrated.

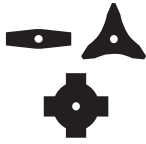

► **Fig.16:** 1. Hex wrench 2. Handle clamp

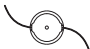
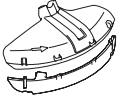

For the loop handle model, the hex wrench can be stored on the handle as illustrated.

► **Fig.17:** 1. Hex wrench

**Correct combination of the cutting tool and the protector**

**CAUTION:** Always use the correct combination of cutting tool and the protector. A wrong combination may not protect you from the cutting tool, flying debris, and stones. It can also affect the balance of the tool and result in an injury.

Cutting tool	Protector
Cutter blade (2-tooth, 3-tooth, 4-tooth blades) 	

Cutting tool	Protector
Nylon cutting head 	
Plastic blade 	

**Installing the protector**

**WARNING:** Never use the tool without the guard or with the guard improperly installed. Failure to do so can cause serious personal injury.

**NOTE:** The type of the protector supplied as the standard accessory varies depending on the countries.

**For cutter blade**

Attach the protector to the clamp using bolts.

► **Fig.18:** 1. Clamp 2. Protector

**For nylon cutting head / plastic blade**

**CAUTION:** Take care not to injure yourself on the cutter for cutting the nylon cord.

Attach the protector to the clamp using bolts. After that, install the protector extension. Insert the protector extension to the protector and then snap the clips on. Make sure that the tabs on the protector extension fit into the slots on the protector.

► **Fig.19:** 1. Protector 2. Clip 3. Protector extension 4. Cutter 5. Slot 6. Tab

To remove the protector extension from the protector, unclasp the clips by inserting the hex wrench as illustrated.

► **Fig.20:** 1. Hex wrench 2. Clip

**Installing the cutting tool**

**CAUTION:** Always use the supplied wrenches to remove or to install the cutting tool.

**CAUTION:** Be sure to remove the hex wrench inserted into the tool head after installing the cutting tool.

**NOTE:** The type of the cutting tool(s) supplied as the standard accessory varies depending on the countries. The cutting tool is not included in some countries.

**NOTE:** Turn the tool upside down so that you can replace the cutting tool easily.

## Cutter blade

**⚠ CAUTION:** When handling a cutter blade, always wear gloves and put the blade cover on the blade.

**⚠ CAUTION:** The cutter blade must be well polished, and free of cracks or breakage. If the cutter blade hits a stone during operation, stop the tool and check the cutter blade immediately.

**⚠ CAUTION:** Always use the cutter blade with the diameter described in the section for specifications.

1. Put the blade cover on the cutter blade.

### 2-tooth blade

► Fig.21

### 3-tooth blade

► Fig.22

### 4-tooth blade

► Fig.23

2. Insert the hex wrench through the hole in the gear case to lock the spindle. Rotate the spindle until the hex wrench is fully inserted.

► Fig.24: 1. Nut 2. Cup 3. Clamp washer 4. Cutter blade 5. Spindle 6. Receive washer 7. Hex wrench

3. Mount the cutter blade onto the receive washer so that the arrows on the cutter blade and protector are pointing in the same direction.

► Fig.25: 1. Arrow

4. Put the clamp washer and cup onto the cutter blade and then tighten the nut securely by the box wrench.

► Fig.26: 1. Box wrench 2. Hex wrench 3. Loosen 4. Tighten

**NOTE:** Tightening torque : 20 - 30 N·m

5. Remove the hex wrench from the gear case.

To remove the cutter blade, follow the installation procedures in reverse.

## Nylon cutting head

**NOTICE:** Be sure to use genuine Makita nylon cutting head.

There are two types of nylon cutting head; the bump & feed type and the manual feed type.

### Bump & feed type

► Fig.27: 1. Nylon cutting head 2. Spindle 3. Hex wrench 4. Loosen 5. Tighten

1. Insert the hex wrench through the hole in the gear case to lock the spindle. Rotate the spindle until the hex wrench is fully inserted.
2. Place the nylon cutting head onto the spindle and tighten it securely by hand.
3. Remove the hex wrench from the gear case.

To remove the nylon cutting head, follow the installation procedures in reverse.

### Manual feed type

► Fig.28: 1. Nut 2. Nylon cutting head 3. Spindle 4. Hex wrench

1. Insert the hex wrench through the hole in the gear case to lock the spindle. Rotate the spindle until the hex wrench is fully inserted.

2. Place the nylon cutting head onto the spindle and tighten the nut securely by the box wrench.

► Fig.29: 1. Box wrench 2. Hex wrench 3. Loosen 4. Tighten

3. Remove the hex wrench from the gear case.

To remove the nylon cutting head, follow the installation procedures in reverse.

## Plastic blade

**NOTICE:** Be sure to use genuine Makita plastic blade.

► Fig.30: 1. Plastic blade 2. Spindle 3. Hex wrench 4. Loosen 5. Tighten

1. Insert the hex wrench through the hole in the gear case to lock the spindle. Rotate the spindle until the hex wrench is fully inserted.

2. Place the plastic blade onto the spindle and tighten it securely by hand.

3. Remove the hex wrench from the gear case.

To remove the plastic blade, follow the installation procedures in reverse.

# OPERATION

## Adjusting the working position

**⚠ CAUTION:** Before performing this procedure, install the battery cartridge(s) to the portable power pack and finish the adjustments for the waist belt and shoulder harness. Refer to the instruction manual of the portable power pack for detail.

**⚠ CAUTION:** To prevent unintentional start up, never turn on the portable power pack throughout this procedure. The battery cartridge(s) is to be installed only to obtain the usability with actual weight balance.

**⚠ CAUTION:** When you use the tool in combination of the backpack-type power supply such as portable power pack, use the hanging band included in the tool package or the hanging band recommended by Makita.

If you put on the shoulder harness not recommended by Makita and the shoulder harness of the backpack-type power supply at the same time, removing the tool or backpack-type power supply is difficult in case of an emergency, and it may cause an accident or injury. For the recommended hanging band, ask Makita Authorized Service Centers.

1. Pull out the cord from the right side of the portable power pack. When pulling out the cord, be sure to set

the cord in the holders as shown in the figure.

► **Fig.31:** 1. Cord 2. Holder

2. Attach the hooks of the hanging band to the rings of the shoulder belts or waist harness as shown in the figure.

**Attaching hanging band to the shoulder belt**

► **Fig.32:** 1. Hanging band 2. Ring 3. Hook

**Attaching hanging band to the shoulder belt and waist belt**

► **Fig.33:** 1. Hanging band 2. Ring 3. Hook

3. Wear the shoulder harness of the portable power pack and lock the buckle on the waist belt.

► **Fig.34**

Adjust the length of the hanging band as necessary.

► **Fig.35**

4. Attach the tool to the shoulder harness using the hook on the hanging band. Be sure to hook on the hanger of the tool.

**UR101C**

► **Fig.36:** 1. Hook 2. Hanger

**UR201C**

► **Fig.37:** 1. Hook 2. Hanger

5. Insert the plug of the tool into the socket of the portable power pack.

When inserting, align the triangle marking on both the plug and the socket.

**UR101C**

► **Fig.38:** 1. Plug 2. Socket 3. Triangle marking

**UR201C**

► **Fig.39:** 1. Plug 2. Socket 3. Triangle marking

6. Adjust the cord length using the holder as necessary.

► **Fig.40:** 1. Holder

The cord length is properly adjusted when you can;

- swing the tool without any hinderance by the cord;
- swing the tool without letting the cord flopping and;
- disconnect the plug from the socket without taking off the shoulder harness of the portable power pack.

**CAUTION:** Allow the cord to have a appropriate play between the tool and portable power pack. If the play is too little, the tool movement may be hindered. If the play is too much, the cord may be caught by other object and result in accident.

## Adjusting the hanger position

*For UR101C only*

For more comfortable handling of the tool, you can change the hanger position.

1. Loosen the screw on the hanger and slide it to a comfortable working position.

► **Fig.41:** 1. Hanger 2. Screw 3. Cord

**NOTICE:** When adjusting the hanger position, also adjust the cord position.

2. Adjust the hanger position as shown in the figure and then tighten the screw.

► **Fig.42**

1	The hanger position from the ground
2	The cutting tool position from the ground
3	The horizontal distance between the hanger and the unguarded part of the cutting tool

## Starting the operation

**CAUTION:** Before operation, finish adjusting the working position by following the instructions in the section for the working position.

**CAUTION:** Before operation, make sure that the buckles on the waist belt is locked and the tool is securely attached to the hook of the hanging band.

**CAUTION:** Always press the main power button to turn on the tool immediately before cutting grass. Failure to do so may cause personal injury due to unintentional start up.

1. Install the battery cartridge(s) to the portable power pack.

► **Fig.43:** 1. Portable power pack 2. Battery cartridge

**NOTE:** Refer to the instruction manual of your portable power pack for how to install the battery cartridges.

2. Press the power button on the portable power pack. The main power lamp will light up.

► **Fig.44:** 1. Main power lamp 2. Power button

3. Wear the shoulder harness of the portable power pack and lock the buckle on the waist belt.

► **Fig.45**

4. Attach the tool to the shoulder harness using the hook on the hanging band. Be sure to hook on the hanger of the tool.

**UR101C**

► **Fig.46:** 1. Hook 2. Hanger

**UR201C**

► **Fig.47:** 1. Hook 2. Hanger

5. Insert the plug of the tool into the socket of the portable power pack.

When inserting, align the triangle marking on both the plug and the socket.

**UR101C**

► **Fig.48:** 1. Plug 2. Socket 3. Triangle marking

**UR201C**

► **Fig.49:** 1. Plug 2. Socket 3. Triangle marking

6. Tap the main power button to turn on the tool.

The tool is ready to operate. The tool will run when you pull the switch trigger.

► **Fig.50:** 1. Main power button

**⚠ CAUTION:** When suspending the operation, always turn off the tool and remove the plug from the socket. Failure to do so may cause personal injury due to unintentional start up.

When quitting the operation, press and hold the main power button until the speed indicator goes off and then perform the above procedure in reverse.

## Correct handling of the tool

**⚠ WARNING:** Always position the tool on your right-hand side. Correct positioning of the tool allows for maximum control and will reduce the risk of serious personal injury caused by kickback.

**⚠ WARNING:** Be extremely careful to maintain control of the tool at all times. Do not allow the tool to be deflected toward you or anyone in the work vicinity. Failure to keep control of the tool could result in serious injury to the bystander and the operator.

**⚠ WARNING:** To avoid accident, leave more than 15m (50 ft) distance between operators when two or more operators work in one area. Also, arrange a person to observe the distance between operators. If someone or an animal enters the working area, immediately stop the operation.

**⚠ CAUTION:** If the cutting tool accidentally impacts a rock or hard object during operation, stop the tool and inspect for any damage. If the cutting tool is damaged, replace it immediately. Use of a damaged cutting tool may result in serious personal injury.

**⚠ CAUTION:** Remove the blade cover from the cutter blade when cutting the grass.

Correct positioning and handling allow optimum control and reduce the risk of injury caused by kickback.

UR101C

► Fig.51

UR201C

► Fig.52

### When using a nylon cutting head (bump & feed type)

The nylon cutting head is a dual string trimmer head provided with a bump & feed mechanism. To feed out the nylon cord, tap the cutting head against the ground while rotating.

► Fig.53: 1. Most effective cutting area

**NOTICE:** The bump feed will not operate properly if the nylon cutting head is not rotating.

**NOTE:** If the nylon cord does not feed out while tapping the head, rewind/replace the nylon cord by following the procedures in the section for the maintenance.

## Emergency detachment

**⚠ CAUTION:** In case of emergency detachment, pay extra attention to the position of the rotating cutting tool.

In case of emergency, detach the tool in either way described below:

Unlock the buckle on the waist belt and take off the shoulder harness of the portable power pack which is connected to the tool.

► Fig.54: 1. Buckle

Unlock the buckle on the hanging band and release the tool. The cord will be disconnected by the weight of the tool.

► Fig.55: 1. Buckle

## MAINTENANCE

**⚠ WARNING:** Always be sure that the tool is switched off and the portable power pack is disconnected from the tool before attempting to perform inspection or maintenance on the tool. Failure to switch off and disconnect the portable power pack may result in serious personal injury from accidental start-up.

**NOTICE:** Never use gasoline, benzine, thinner, alcohol or the like. Discoloration, deformation or cracks may result.

To maintain product SAFETY and RELIABILITY, repairs, any other maintenance or adjustment should be performed by Makita Authorized or Factory Service Centers, always using Makita replacement parts.

## Cleaning the tool

Clean the tool by wiping off dust, dirt, or cut off grass with a dry cloth or one dipped in soapy water and wrung out. To avoid overheating of the tool, be sure to remove the cut off grass or debris adhered to the vent of the tool.

## Replacing the nylon cord

**⚠ WARNING:** Use only the nylon cord with diameter specified in this instruction manual. Never use heavier line, metal wire, rope or the like. Failure to do so may cause damage to the tool and result in serious personal injury.

**⚠ WARNING:** Always remove the nylon cutting head from the tool when replacing the nylon cord.

**⚠ WARNING:** Make sure that the cover of the nylon cutting head is secured to the housing properly as described in this instruction manual. Failure to properly secure the cover may cause the nylon cutting head to fly apart resulting in serious personal injury.

Replace the nylon cord if it is not fed any more. The

method of replacing the nylon cord varies depending on the type of the nylon cutting head.

## 95-M10L

► Fig.56

## 96-M10L

► Fig.57

## 98-M10L

► Fig.58

## B&F ECO 4L

► Fig.59

## UN-74L, UN-72L

► Fig.60

### Manual feed type

When the nylon cord gets short, pull it out from the eyelet and feed it from the another eyelet.

► Fig.61

### Replacing the plastic blade

Replace the plastic blade if it is worn out or broken.

► Fig.62

When installing the plastic blade, align the direction of the arrow on the blade with that of the protector.

► Fig.63: 1. Arrow on the protector 2. Arrow on the blade

## TROUBLESHOOTING

Before asking for repairs, conduct your own inspection first. If you find a problem that is not explained in the manual, do not attempt to dismantle the tool. Instead, ask Makita Authorized Service Centers, always using Makita replacement parts for repairs.

State of abnormality	Probable cause (malfunction)	Remedy
Motor does not run.	Battery cartridge is not installed.	Install the battery cartridge.
	Battery problem (under voltage)	Recharge the battery cartridge. If recharging is not effective, replace battery cartridge.
	The drive system does not work correctly.	Ask your local authorized service center for repair.
Motor stops running after a little use.	Battery's charge level is low.	Recharge the battery cartridge. If recharging is not effective, replace battery cartridge.
	Overheating.	Stop using of tool to allow it to cool down.
The tool does not reach maximum RPM.	Battery cartridge is installed improperly.	Install the battery cartridge as described in this manual.
	Battery power is dropping.	Recharge the battery cartridge. If recharging is not effective, replace battery cartridge.
	The drive system does not work correctly.	Ask your local authorized service center for repair.
Cutting tool does not rotate: ⇒ stop the machine immediately!	Foreign object such as a branch is jammed between the guard and the cutting tool.	Remove the foreign object.
	Cutting tool is loosely attached.	Tighten the cutting tool securely.
	The drive system does not work correctly.	Ask your local authorized service center for repair.
Abnormal vibration: ⇒ stop the machine immediately!	Broken, bent or worn cutting tool	Replace the cutting tool.
	Cutting tool is loosely attached.	Tighten the cutting tool securely.
	The drive system does not work correctly.	Ask your local authorized service center for repair.
Cutting tool and motor cannot stop: ⇒ Disconnect the portable power pack from the tool immediately!	Electric or electronic malfunction.	Disconnect the portable power pack from the tool and ask your local authorized service center for repair.

# OPTIONAL ACCESSORIES

**⚠WARNING:** Only use the recommended accessories or attachments indicated in this manual. The use of any other accessory or attachment may result in serious personal injury.

**⚠CAUTION:** These accessories or attachments are recommended for use with your Makita tool specified in this manual. The use of any other accessories or attachments might present a risk of injury to persons. Only use accessory or attachment for its stated purpose.

If you need any assistance for more details regarding these accessories, ask your local Makita Service Center.

- Cutter blade
- Nylon cutting head
- Nylon cord (cutting line)
- Plastic blade
- Protector
- Makita genuine battery and charger

**NOTE:** Some items in the list may be included in the tool package as standard accessories. They may differ from country to country.

# SPÉCIFICATIONS

Modèle :		UR101C	UR201C
Type de poignée		Poignée guidon	Poignée arceau
Vitesse à vide (à chaque niveau de la vitesse de rotation)	Lame de coupe Lame en plastique (305 mm)	3 : 0 - 7 000 min <sup>-1</sup> 2 : 0 - 5 500 min <sup>-1</sup> 1 : 0 - 4 600 min <sup>-1</sup>	
	Tête de coupe à fil nylon Lame en plastique (255 mm)	3 : 0 - 5 500 min <sup>-1</sup> 2 : 0 - 5 000 min <sup>-1</sup> 1 : 0 - 4 600 min <sup>-1</sup>	
Longueur totale (sans outil de coupe)		1 760 mm	1 795 mm
Diamètre du cordon en nylon		2,4 mm	
Outil de coupe applicable et diamètre de coupe	Lame à 2 dents (P/N 198345-9)	255 mm	
	Lame à 3 dents (P/N 195299-1)	255 mm	
	Lame à 4 dents (P/N 196895-8)	255 mm	
	Tête de coupe à fil nylon (P/N 197993-1 / 191D90-9 / 1915D7-6)	430 mm	
	Lame en plastique (P/N 198383-1) (P/N 199868-0)	255 mm 305 mm	
Tension nominale		36 V - 40 V c.c. max.	
Poids net		5,2 kg	4,7 kg
Degré de protection		IPX4	

- Étant donné l'évolution constante de notre programme de recherche et de développement, les spécifications contenues dans ce manuel sont sujettes à modification sans préavis.
- Les spécifications peuvent varier suivant les pays.
- Poids selon la procédure EPTA 01/2014

## Source d'alimentation connectée par cordon recommandée

Support d'alimentation portable	PDC01 / PDC1200 / PDC1500
---------------------------------	---------------------------

- La ou les sources d'alimentation connectées par cordon répertoriées ci-dessus peuvent ne pas être disponibles selon la région où vous résidez.
- Avant d'utiliser la source d'alimentation connectée par cordon, lisez les instructions et les avertissements inscrits dessus.

## Bruit

### Modèle UR101C

Outil de coupe	Niveau de pression sonore (L <sub>PA</sub> ) dB(A)		Niveau de puissance sonore (L <sub>WA</sub> ) dB(A)		Norme applicable
	(L <sub>PA</sub> ) dB(A)	Incertitude (K) dB(A)	(L <sub>WA</sub> ) dB(A)	Incertitude (K) dB(A)	
Lame à 2 dents	81,7	0,5	93,9	0,8	ISO22868(ISO11806-1)
Lame à 4 dents	83,0	0,3	97,6	0,2	ISO22868(ISO11806-1)
Tête de coupe à fil nylon	80,0	0,9	91,8	1,0	ISO22868(ISO11806-1)/ EN50636-2-91
Lame en plastique	78,0	1,0	87,4	0,7	ISO22868(ISO11806-1)/ EN50636-2-91

### Modèle UR201C



Outil de coupe	Niveau de pression sonore ( $L_{pA}$ ) dB(A)		Niveau de puissance sonore ( $L_{WA}$ ) dB(A)		Norme applicable
	( $L_{pA}$ ) dB(A)	Incertitude (K) dB(A)	( $L_{WA}$ ) dB(A)	Incertitude (K) dB(A)	
Lame à 2 dents	81,7	0,5	93,9	0,8	ISO22868(ISO11806-1)
Lame à 4 dents	83,0	0,3	97,6	0,2	ISO22868(ISO11806-1)
Tête de coupe à fil nylon	80,0	0,9	91,8	1,0	ISO22868(ISO11806-1)/ EN50636-2-91
Lame en plastique	78,0	1,0	87,4	0,7	ISO22868(ISO11806-1)/ EN50636-2-91

- Même si le niveau de pression sonore indiqué ci-dessus est inférieur ou égal à 80 dB (A), le niveau en fonctionnement peut dépasser 80 dB (A). Portez un serre-tête antibruit.

**NOTE** : La ou les valeurs d'émission de bruit déclarées ont été mesurées conformément à la méthode de test standard et peuvent être utilisées pour comparer les outils entre eux.

**NOTE** : La ou les valeurs d'émission de bruit déclarées peuvent aussi être utilisées pour l'évaluation préliminaire de l'exposition.

**⚠ AVERTISSEMENT** : Portez un serre-tête antibruit.

**⚠ AVERTISSEMENT** : L'émission de bruit lors de l'usage réel de l'outil électrique peut être différente de la ou des valeurs déclarées, suivant la façon dont l'outil est utilisé, particulièrement selon le type de pièce usinée.

**⚠ AVERTISSEMENT** : Les mesures de sécurité à prendre pour protéger l'utilisateur doivent être basées sur une estimation de l'exposition dans des conditions réelles d'utilisation (en tenant compte de toutes les composantes du cycle d'utilisation, comme par exemple le moment de sa mise hors tension, lorsqu'il tourne à vide et le moment de son déclenchement).

## Vibration

Norme applicable : ISO22867(ISO11806-1)

### Modèle UR101C

Outil de coupe	Main gauche		Main droite	
	$a_{h,W}$ (m/s <sup>2</sup> )	Incertitude K (m/s <sup>2</sup> )	$a_{h,W}$ (m/s <sup>2</sup> )	Incertitude K (m/s <sup>2</sup> )
Lame à 2 dents	≤ 2,5	1,5	≤ 2,5	1,5
Lame à 4 dents	≤ 2,5	1,5	≤ 2,5	1,5
Tête de coupe à fil nylon	≤ 2,5	1,5	≤ 2,5	1,5
Lame en plastique	≤ 2,5	1,5	≤ 2,5	1,5

### Modèle UR201C

Outil de coupe	Main gauche		Main droite	
	$a_{h,W}$ (m/s <sup>2</sup> )	Incertitude K (m/s <sup>2</sup> )	$a_{h,W}$ (m/s <sup>2</sup> )	Incertitude K (m/s <sup>2</sup> )
Lame à 2 dents	≤ 2,5	1,5	≤ 2,5	1,5
Lame à 4 dents	≤ 2,5	1,5	≤ 2,5	1,5
Tête de coupe à fil nylon	≤ 2,5	1,5	≤ 2,5	1,5
Lame en plastique	≤ 2,5	1,5	≤ 2,5	1,5

**NOTE** : La ou les valeurs de vibration totales déclarées ont été mesurées conformément à la méthode de test standard et peuvent être utilisées pour comparer les outils entre eux.

**NOTE** : La ou les valeurs de vibration totales déclarées peuvent aussi être utilisées pour l'évaluation préliminaire de l'exposition.

**⚠️ AVERTISSEMENT** : L'émission de vibrations lors de l'usage réel de l'outil électrique peut être différente de la ou des valeurs déclarées, suivant la façon dont l'outil est utilisé, particulièrement selon le type de pièce usinée.

**⚠️ AVERTISSEMENT** : Les mesures de sécurité à prendre pour protéger l'utilisateur doivent être basées sur une estimation de l'exposition dans des conditions réelles d'utilisation (en tenant compte de toutes les composantes du cycle d'utilisation, comme par exemple le moment de sa mise hors tension, lorsqu'il tourne à vide et le moment de son déclenchement).

## Symboles

Vous trouverez ci-dessous les symboles susceptibles d'être utilisés pour l'appareil. Veuillez à comprendre leur signification avant toute utilisation.



Veuillez être prudent et rester attentif.



Lire le mode d'emploi.



Maintenez une distance d'au moins 15 m.



Danger ; prendre garde aux projections d'objets.



Attention ; recul



Portez un casque, des lunettes à coques et un serre-tête antibruit.



Portez des gants de protection.



Portez des bottes robustes à semelles antidérapantes. Il est conseillé de porter des chaussures avec embout de sécurité.



Pour les pays de l'Union européenne uniquement  
En raison de la présence de composants dangereux dans l'équipement, les déchets d'équipements électriques et électroniques, les accumulateurs et les batteries peuvent avoir un impact négatif sur l'environnement et la santé humaine.  
Ne jetez pas les appareils électriques et électroniques ou les batteries avec les ordures ménagères !

Conformément à la directive européenne relative aux déchets d'équipements électriques et électroniques et aux déchets d'accumulateurs et de batteries, ainsi qu'à son adaptation à la législation nationale, les déchets d'équipements électriques, les batteries et les accumulateurs doivent être collectés séparément et déposés dans un point de collecte distinct pour déchets urbains, conformément aux réglementations en matière de protection de l'environnement.  
Cela est indiqué par le symbole de la poubelle à roulettes barrée sur l'équipement.



Niveau de puissance sonore garanti selon la directive européenne sur le bruit dans l'environnement.



Niveau de puissance sonore selon la réglementation australienne NSW sur le contrôle du bruit

## Déclarations de conformité

### Pour les pays européens uniquement

Les déclarations de conformité sont fournies en Annexe A à ce mode d'emploi.

## CONSIGNES DE SÉCURITÉ

### Consignes de sécurité générales pour outils électriques

**⚠️ AVERTISSEMENT** Veuillez lire toutes les consignes de sécurité, instructions, illustrations et spécifications qui accompagnent cet outil électrique. Le non-respect de toutes les instructions indiquées ci-dessous peut entraîner une électrocution, un incendie et/ou de graves blessures.

### Conservez toutes les mises en garde et instructions pour référence ultérieure.

Le terme « outil électrique » dans les avertissements fait référence à l'outil électrique alimenté par le secteur (avec cordon d'alimentation) ou à l'outil électrique fonctionnant sur batterie (sans cordon d'alimentation).

### Consignes de sécurité importantes pour l'outil

**⚠️ AVERTISSEMENT** : Veuillez à lire et comprendre dans son intégralité ce manuel d'instructions ainsi que le mode d'emploi du support d'alimentation portable qui sera utilisé avec ce produit. Il y a un risque d'électrocution, d'incendie et/ou de graves blessures si les mises en garde et les instructions ne sont pas respectées.

**⚠️ AVERTISSEMENT** : Lisez toutes les consignes de sécurité et toutes les instructions. Il y a un risque d'électrocution, d'incendie et/ou de graves blessures si les mises en garde et les instructions ne sont pas respectées.

### Conservez toutes les mises en garde et instructions pour référence ultérieure.

## Utilisations prévues

1. Cet outil est exclusivement conçu pour couper l'herbe, les mauvaises herbes, les buissons et les broussailles. Il ne doit pas être utilisé à d'autres fins, pour le dressage de bordures ou la taille de haies, par exemple, sous peine de provoquer des blessures.

## Généralités

1. Ne laissez jamais des personnes qui ne sont pas familiarisées avec ces instructions, des personnes (y compris les enfants) aux facultés physiques, sensorielles ou mentales diminuées ou sans expérience ni expertise utiliser l'outil. Les enfants doivent être sous la surveillance d'un adulte afin de s'assurer qu'ils ne jouent pas avec l'outil.
2. Avant de démarrer l'outil, lisez ce manuel pour vous familiariser avec le maniement de l'outil.
3. Ne prêtez pas l'outil à une personne ayant une expérience ou une expertise insuffisante en matière de maniement de débroussailleuses et de coupe-herbes.
4. Lorsque vous prêtez l'outil, joignez toujours ce mode d'emploi.
5. Soyez toujours très prudent et attentif lorsque vous manipulez l'outil.
6. N'utilisez jamais l'outil sous l'emprise de l'alcool, de drogues ou de médicaments, ou si vous êtes fatigué ou malade.
7. N'essayez jamais de modifier l'outil.
8. Respectez la réglementation applicable au maniement des débroussailleuses et des coupe-herbes dans votre pays.

## Équipement de protection individuelle

► Fig.1

1. Portez un casque de sécurité, des lunettes à coques et des gants de protection pour vous protéger des projections de débris ou des chutes d'objets.
2. Portez des protections auditives comme des coquilles anti-bruit afin d'éviter une perte d'audition.
3. Portez des vêtements et des chaussures permettant une utilisation sécuritaire, comme une combinaison de travail et des chaussures robustes anti-dérapantes. Ne portez pas de vêtements amples ni de bijoux. Les pièces en mouvement peuvent happer les vêtements amples, les bijoux ou les cheveux longs.
4. Si vous touchez la lame de coupe, mettez des gants de protection. Les lames de coupe peuvent gravement couper les mains nues.

## Sécurité de l'aire de travail

1. Utilisez uniquement l'outil si vous avez une bonne visibilité et à la lumière du jour. N'utilisez pas l'outil dans l'obscurité ou le brouillard.
2. N'utilisez pas l'outil dans un environnement explosif, par exemple en présence de liquides,

gaz ou poussières inflammables. L'outil produit des étincelles qui peuvent enflammer la poussière ou les émanations.

3. Pendant le fonctionnement, ne vous tenez jamais sur une surface instable ou glissante ou sur une pente abrupte. En hiver, faites attention au verglas et à la neige et assurez-vous toujours d'avoir une bonne assise.
4. Pendant le fonctionnement, éloignez les badauds ou les animaux d'au moins 15 m de l'outil. Arrêtez l'outil aussitôt que quelqu'un s'approche.
5. N'utilisez jamais l'outil en présence de personnes, particulièrement les enfants et animaux domestiques, à proximité.
6. Avant toute utilisation, examinez l'aire de travail pour vous assurer qu'elle ne présente pas de pierres ou d'autres objets durs. Ils peuvent être projetés ou provoquer un recul dangereux et entraîner de graves blessures et/ou des dommages matériels.
7. **AVERTISSEMENT** : L'utilisation de ce produit peut créer de la poussière contenant des produits chimiques susceptibles de provoquer des maladies respiratoires ou autres. Parmi ces produits chimiques, on trouve des composés présents dans les pesticides, insecticides, fertilisants et herbicides. Les risques encourus varient suivant la fréquence d'exposition qu'implique votre travail. Pour réduire votre degré d'exposition à ces produits chimiques : travaillez dans une aire de travail bien aérée et en utilisant des dispositifs de sécurité approuvés, comme des masques anti-poussière spécialement conçus pour filtrer les particules microscopiques.

## Sécurité électrique et sécurité des batteries

1. N'exposez pas l'outil à la pluie ou à l'humidité. Le risque d'électrocution augmente si de l'eau pénètre dans l'outil.
2. N'utilisez pas l'outil s'il est impossible de l'allumer ou de l'éteindre avec l'interrupteur. Un outil qui ne peut être contrôlé par l'interrupteur représente un danger et doit être réparé.
3. Évitez les démarrages intempestifs. Assurez-vous que l'interrupteur est en position d'arrêt avant de ramasser ou de transporter l'outil. Porter l'outil en ayant le doigt sur l'interrupteur ou le brancher alors que l'interrupteur est en position de marche est source d'accidents.
4. Ne jetez pas la ou les batteries au feu. L'élément de la pile pourrait exploser. Consultez les codes locaux pour de possibles instructions de mise au rebut spéciales.
5. N'ouvrez ni ne manipulez la ou les batteries. L'électrolyte qui s'échappe de la batterie est corrosif et peut irriter la peau ou les yeux. Il peut être toxique en cas d'ingestion.
6. Ne chargez pas la batterie sous la pluie ou dans un endroit mouillé.
7. Ne remplacez pas la batterie avec les mains mouillées.

8. **Ne remplacez pas la batterie sous la pluie.**
9. **Ne mouillez pas la borne de la batterie avec un liquide comme de l'eau, ni ne plongez la batterie dans un liquide. Ne laissez pas la batterie sous la pluie et évitez de charger, utiliser ou ranger la batterie dans un endroit humide ou mouillé.** Si la borne est mouillée ou si un liquide pénètre à l'intérieur de la batterie, un court-circuit est possible et risque de provoquer une surchauffe, un incendie ou une explosion.
10. **Ne branchez pas la fiche de la prise du support d'alimentation portable ni ne la débranchez sous la pluie ou dans des conditions d'humidité. Abstenez-vous de laisser, utiliser ou ranger l'outil et le support d'alimentation portable sous la pluie ou dans un endroit humide ou mouillé.** Vous risqueriez autrement de vous électrocuter.
11. **Après avoir retiré la batterie du support d'alimentation portable ou du chargeur, veillez à fixer le couvercle de batterie sur la batterie et à la ranger dans un endroit sec.**
12. **Si la batterie est mouillée, videz l'eau à l'intérieur, puis essuyez-la avec un chiffon sec. Séchez complètement la batterie dans un endroit sec avant utilisation.**

## Mise en service

1. **Avant de monter ou de régler l'outil, débranchez le support d'alimentation portable de l'outil.**
2. **Avant de manipuler la lame de coupe, mettez des gants de protection.**
3. **Avant de brancher le support d'alimentation portable sur l'outil, inspectez l'outil pour vous assurer qu'il n'est pas endommagé, mal assemblé ou que les vis/écrous sont desserrés. Affûtez la lame de coupe si elle est émoussée. Si la lame de coupe est tordue ou endommagée, remplacez-la. Vérifiez que tous les leviers de commande et les interrupteurs fonctionnent sans problème. Nettoyez et séchez les poignées.**
4. **N'essayez jamais de mettre l'outil en marche s'il est endommagé ou pas entièrement assemblé.** Sinon, vous pourriez gravement vous blesser.
5. **Régalez la bandoulière et la poignée selon la corpulence de l'opérateur.**
6. **Lorsque vous branchez le support d'alimentation portable sur l'outil, éloignez l'accessoire de coupe de votre corps et d'autres objets, y compris le sol.** Il pourrait tourner au démarrage et provoquer des blessures ou des dommages matériels et/ou à l'outil.
7. **Retirez toute clé de réglage, clé ou couvercle avant de mettre l'outil sous tension.** Un accessoire laissé en place sur une pièce rotative de l'outil peut entraîner des blessures.
8. **Un carter de protection doit être installé sur l'outil de coupe. Ne faites jamais tourner l'outil si le carter de protection est endommagé ou n'est pas posé.**
9. **Assurez-vous qu'il n'y a pas de câbles électriques, de conduites d'eau, de conduites**

de gaz, etc., présentant un risque s'ils sont endommagés suite à l'utilisation de l'outil.

## Fonctionnement

1. **En cas d'urgence, éteignez immédiatement l'outil.**
2. **Si vous détectez une anomalie (par exemple, bruit ou vibration) en cours de fonctionnement, éteignez l'outil et débranchez le support d'alimentation portable de l'outil. N'utilisez pas l'outil tant que la cause n'est pas connue et résolue.**
3. **L'accessoire de coupe continue de tourner pendant un bref instant après la mise hors tension de l'outil. Ne vous précipitez pas pour toucher l'accessoire de coupe.**
4. **Pendant le fonctionnement, utilisez la bandoulière. Maintenez fermement l'outil contre vous du côté droit.**
5. **Ne vous penchez pas trop loin. Maintenez constamment une bonne assise et un bon équilibre. Soyez attentif aux obstacles cachés comme les souches d'arbre, racines ou fossés pour éviter de trébucher.**
6. **Assurez-vous toujours d'être en position stable dans les pentes.**
7. **Ne courez jamais ; marchez.**
8. **Ne travaillez jamais depuis une échelle ou un arbre pour éviter de perdre le contrôle.**
9. **Si l'outil subit un choc violent ou tombe, vérifiez son état avant de poursuivre la tâche. Vérifiez si les commandes et les dispositifs de sécurité fonctionnent correctement. En cas de dommage ou de doute, confiez l'inspection et la réparation à notre centre de service après-vente agréé.**
10. **Ne touchez pas le boîtier d'engrenage pendant et immédiatement après le fonctionnement.** Le boîtier d'engrenage devient chaud pendant le fonctionnement et peut provoquer des brûlures.
11. **Reposez-vous régulièrement pour empêcher la perte du contrôle due à la fatigue.** Nous recommandons de faire une pause de 10 à 20 minutes toutes les heures.
12. **Lorsque vous abandonnez l'outil, même pendant un court instant, débranchez toujours le support d'alimentation portable de l'outil.** Un outil sans surveillance avec la batterie en place peut être utilisé par une personne non autorisée et provoquer de graves accidents.
13. **Si des herbes ou des branches se coincent entre l'accessoire de coupe et le carter de protection, éteignez toujours l'outil et débranchez le support d'alimentation portable de l'outil.** Sinon, l'accessoire de coupe peut tourner brusquement et provoquer de graves blessures.
14. **Ne touchez jamais les pièces dangereuses en mouvement avant qu'elles ne soient complètement arrêtées et que le support d'alimentation portable soit débranché de l'outil.**
15. **Si l'accessoire de coupe heurte des pierres ou d'autres objets durs, éteignez immédiatement l'outil. Puis débranchez le support d'alimentation portable de l'outil et inspectez**

## **l'accessoire de coupe.**

- Vérifiez fréquemment pendant l'utilisation que l'accessoire de coupe ne présente pas de fissures ou de dégâts. Avant l'inspection, débranchez le support d'alimentation portable de l'outil et assurez-vous que l'accessoire de coupe soit complètement arrêté. Remplacez immédiatement l'accessoire de coupe s'il est abîmé, même s'il ne présente que des fissures superficielles.**
- Ne réalisez jamais de coupe plus haut que votre taille.**
- Avant de commencer à couper, patientez jusqu'à ce que l'accessoire de coupe atteigne une vitesse constante après la mise sous tension de l'outil.**
- Lorsque vous utilisez une lame de coupe, faites osciller de manière égale l'outil en demi-cercle de droite à gauche, comme si vous utilisiez une faux.**
- Tenez l'outil uniquement par ses surfaces de prise isolées, car la lame de coupe pourrait entrer en contact avec le câblage caché. Le contact des lames de coupe avec un fil sous tension peut transmettre du courant dans les pièces métalliques exposées de l'outil et électrocuter l'utilisateur.**
- Ne démarrez pas l'outil lorsque de l'herbe coupée est emmêlée dans l'outil de coupe.**
- Avant de démarrer l'outil, assurez-vous que l'outil de coupe ne touche pas le sol et d'autres obstacles comme un arbre.**
- Tenez toujours l'outil à deux mains pendant le fonctionnement. Ne tenez jamais l'outil d'une seule main pendant le fonctionnement.**
- N'utilisez pas l'outil en cas d'orage.**
- Lorsque vous utilisez l'outil sur un sol boueux, une pente trempée ou un endroit glissant, faites attention de ne pas perdre l'équilibre.**
- Évitez de travailler dans un piètre environnement susceptible d'accroître la fatigue de l'utilisateur.**
- N'utilisez pas l'outil par mauvais temps avec une visibilité réduite. Le non-respect de cette précaution pourrait entraîner votre chute ou un fonctionnement incorrect en raison de la faible visibilité.**
- Ne plongez pas l'outil dans une flaque.**
- Ne laissez pas l'outil sans surveillance à l'extérieur sous la pluie.**
- Si des feuilles mouillées ou des saletés se collent sur la bouche d'aspiration (ouverture d'aération) en raison de la pluie, retirez-les.**
- N'utilisez pas l'outil dans la neige.**

## **Outils de coupe**

- N'utilisez pas un outil de coupe non recommandé par Makita.**
- Utilisez un accessoire de coupe adapté à la tâche.**
  - Les têtes de coupe à fil nylon (têtes de coupe-herbe) et les lames en plastique conviennent à la tonte de la pelouse.
  - Les lames de coupe conviennent à la coupe

des mauvaises herbes, de l'herbe haute, des buissons, des arbrisseaux, des broussailles, des fourrés et autres.

- N'utilisez jamais d'autres lames, notamment les chaînes pivotantes à plusieurs pièces en métal et les lames pour fléau. Cela pourrait entraîner des blessures graves.
- N'utilisez que les outils de coupe marqués d'une vitesse supérieure ou égale à la vitesse marquée sur l'outil.**
  - Éloignez toujours vos mains, votre visage et vos vêtements de l'outil de coupe en rotation. Vous risqueriez autrement de vous blesser.**
  - Utilisez toujours le carter de protection de l'accessoire de coupe prévu pour l'accessoire de coupe utilisé.**
  - Lorsque vous utilisez des lames de coupe, évitez le recul et préparez-vous toujours à un recul accidentel. Reportez-vous à la section Recul.**
  - Lorsque vous ne l'utilisez pas, fixez le couvre-lame sur la lame. Déposez le couvercle avant utilisation.**

## **Recul (rebond de la lame)**

- Le recul (rebond de la lame) est une réaction soudaine d'une lame de coupe lorsqu'elle se coince ou accroche. En cas de recul, l'outil est projeté de côté ou vers l'utilisateur avec une grande force, ce qui peut entraîner de graves blessures.**
- Le recul se produit particulièrement lorsque vous appliquez le segment de lame entre midi et 2 heures sur des objets durs, des buissons et des arbres d'un diamètre de plus de 3 cm.**

► Fig.2

- Pour éviter le recul :**
  - Appliquez le segment entre 8 et 11 heures.**
  - N'appliquez jamais le segment entre midi et 2 heures.**
  - N'appliquez jamais le segment entre 11 heures et midi et entre 2 et 5 heures, à moins que l'utilisateur soit bien formé et expérimenté et le fasse à ses propres risques.**
  - N'utilisez jamais de lames de coupe près d'objets solides, comme des clôtures, murs, troncs d'arbre et pierres.**
  - N'utilisez jamais de lames de coupe verticalement, pour des tâches comme le dressage de bordures et la taille des haies.**

► Fig.3

## **Vibration**

- Les personnes ayant une mauvaise circulation du sang qui sont exposées à des vibrations excessives peuvent présenter des lésions des vaisseaux sanguins ou du système nerveux. Les vibrations peuvent être à l'origine des symptômes suivants dans les doigts, les mains ou les poignets : engourdissement, picotement, douleur,**

douleur lancinante, changement de couleur de la peau ou de la peau elle-même. Si un ou plusieurs de ces symptômes apparaissent, consultez un médecin !

2. **Pour réduire le risque du syndrome de Raynaud, gardez vos mains au chaud pendant l'utilisation et conservez en bon état l'outil et les accessoires.**

## Transport

1. **Lorsque vous transportez l'outil, éteignez-le et débranchez toujours le support d'alimentation portable de l'outil. Fixez le couvercle sur la lame de coupe.**
2. **Transportez l'outil à l'horizontale en le tenant par le manche.**
3. **Lors du transport de l'outil dans un véhicule, fixez-le correctement pour éviter qu'il ne se retourne. Autrement, l'outil et d'autres bagages pourraient être endommagés.**

## Entretien

1. **Confiez toujours votre outil à un centre de service après-vente agréé, qui n'utilise que des pièces de rechange d'origine.** Une réparation incorrecte ou une mauvaise maintenance peuvent raccourcir la durée de service de l'outil et augmenter les risques d'accident.
2. **Avant de réaliser une tâche d'entretien ou de réparation ou le nettoyage de l'outil, éteignez-le toujours et débranchez le support d'alimentation portable de l'outil.**
3. **Portez toujours des gants de protection pour manipuler la lame de coupe.**
4. **Retirez toujours la poussière et la saleté de l'outil. N'utilisez jamais d'essence, benzine, diluant, alcool ou autre produit similaire à cet effet.** Ils présentent un risque de décoloration, de déformation ou de fissuration des pièces en plastique.
5. **Après chaque utilisation, serrez toutes les vis et tous les écrous.**
6. **N'essayez pas de procéder à un entretien ou une réparation non décrits dans ce manuel. Ces tâches doivent être effectuées par notre centre de service après-vente agréé.**
7. **Utilisez toujours nos pièces de rechange et accessoires d'origine uniquement.** L'utilisation de pièces ou accessoires fournis par un tiers peut entraîner la panne de l'outil, des dommages matériels et/ou corporels graves.
8. **Confiez régulièrement l'inspection et l'entretien de l'outil à notre centre de service après-vente agréé.**
9. **Maintenez toujours l'outil en bon état de fonctionnement.** Un entretien médiocre peut donner des performances inférieures et raccourcir la durée de vie de l'outil.
10. **Ne lavez pas l'outil avec de l'eau sous pression.**
11. **Lorsque vous lavez l'outil, ne laissez pas l'eau pénétrer dans le mécanisme électrique comme le moteur et les bornes.**
12. **Lorsque vous rangez l'outil, évitez les endroits**

**exposés aux rayons directs du soleil ou à la pluie, et rangez-le dans un endroit tempéré et sec.**

13. **Procédez à l'inspection ou à l'entretien dans un endroit non affecté par la pluie.**
14. **Après avoir utilisé l'outil, retirez la saleté collée et séchez-le complètement avant de le ranger.** Selon la saison ou la région, le gel peut présenter un risque de dysfonctionnement.
15. **Assurez-vous que toutes les entrées de l'air de refroidissement ne sont pas obstruées par des débris.**

## Rangement

1. **Avant de ranger l'outil, procédez à un nettoyage et un entretien complets. Débranchez le support d'alimentation portable de l'outil. Fixez le couvercle sur la lame de coupe.**
2. **Rangez l'outil dans un endroit sec en hauteur ou verrouillé hors de la portée des enfants.**
3. **N'appuyez pas l'outil contre un mur, par exemple.** Il risquerait de tomber brusquement et de provoquer des blessures.

## Premiers secours

1. **Ayez toujours une trousse de premiers secours à portée de main. Remplacez immédiatement tout article pris dans la trousse de premiers secours.**
2. **Lorsque vous appelez les secours, fournissez les informations suivantes :**
  - Le lieu de l'accident
  - Les circonstances de l'accident
  - Le nombre de personnes blessées
  - La nature de la blessure
  - Votre nom

## Consignes de sécurité importantes pour la batterie

1. **Avant d'utiliser la batterie, lisez toutes les instructions et précautions relatives (1) au chargeur de batterie, (2) à la batterie, et (3) au produit utilisant la batterie.**
2. **Ne désassemblez pas et ne modifiez pas la batterie.** Cela pourrait entraîner un incendie, une chaleur excessive ou une explosion.
3. **Cessez immédiatement l'utilisation si le temps de fonctionnement devient excessivement court. Il y a un risque de surchauffe, de brûlures, voire d'explosion.**
4. **Si l'électrolyte pénètre dans vos yeux, rincez-les à l'eau claire et consultez immédiatement un médecin. Il y a un risque de perte de la vue.**
5. **Ne court-circuitez pas la batterie :**
  - (1) **Ne touchez les bornes avec aucun matériau conducteur.**
  - (2) **Évitez de ranger la batterie dans un conteneur avec d'autres objets métalliques, par exemple des clous, des pièces de monnaie, etc.**
  - (3) **N'exposez pas la batterie à l'eau ou à la**

pluie.

Un court-circuit de la batterie peut provoquer une intensité de courant élevée, une surchauffe, parfois des brûlures et même une panne.

6. Ne rangez ni n'utilisez l'outil et la batterie dans un endroit où la température risque d'atteindre ou de dépasser 50 °C.
7. Ne jetez pas la batterie au feu même si elle est sérieusement endommagée ou complètement épuisée. La batterie peut exploser au contact du feu.
8. Abstenez-vous de clouer, couper, écraser, jeter, laisser tomber la batterie, ou de la heurter contre un objet dur. Cela pourrait entraîner un incendie, une chaleur excessive ou une explosion.
9. N'utilisez pas la batterie si elle est endommagée.
10. Les batteries au lithium-ion contenues sont soumises aux exigences de la législation sur les marchandises dangereuses.

Lors du transport commercial par des tierces parties ou des transitaires par exemple, des exigences spécifiques en matière d'étiquetage et d'emballage doivent être respectées.

Pour la préparation de l'article expédié, il est nécessaire de consulter un expert en matériau dangereux. Veuillez également respecter les réglementations nationales susceptibles d'être plus détaillées.

Recouvrez les contacts exposés avec du ruban adhésif ou du ruban de masquage et emballez la batterie de telle sorte qu'elle ne puisse pas bouger dans l'emballage.

11. Lors de la mise au rebut de la batterie, retirez-la de l'outil et jetez-la en lieu sûr. Suivez les réglementations locales en matière de mise au rebut des batteries.
12. Utilisez les batteries uniquement avec les produits spécifiés par Makita. L'insertion de batteries dans des produits non conformes peut provoquer un incendie, une chaleur excessive, une explosion ou une fuite de l'électrolyte.
13. Lorsque vous n'utilisez pas l'outil pendant une période prolongée, la batterie doit être retirée de l'outil.
14. Pendant et après l'utilisation, la batterie peut chauffer, ce qui peut entraîner des brûlures, y

compris en cas de température relativement basse. Manipulez les batteries chaudes avec précaution.

15. Ne touchez pas la borne de l'outil immédiatement après utilisation car elle peut être assez chaude pour provoquer des brûlures.
16. Évitez que des copeaux, de la poussière ou du sol adhèrent aux bornes, aux trous et aux rainures de la batterie. Cela peut provoquer un échauffement, un incendie, une explosion ou un dysfonctionnement de l'outil ou de la batterie, ce qui peut entraîner des brûlures ou des blessures.
17. À moins que l'outil prenne en charge un tel usage, n'utilisez pas la batterie à proximité de lignes électriques haute tension. Cela pourrait entraîner un dysfonctionnement ou casser l'outil ou la batterie.
18. Conservez la batterie hors de portée des enfants.

## CONSERVEZ CES INSTRUCTIONS.

**ATTENTION** : N'utilisez que des batteries Makita d'origine. L'utilisation de batteries de marque autre que Makita ou de batteries modifiées peut provoquer l'explosion des batteries, ce qui présente un risque d'incendie, de dommages matériels et corporels. Cela annulera également la garantie Makita pour l'outil et le chargeur Makita.

## Conseils pour assurer la durée de vie optimale de la batterie

1. Chargez la batterie avant qu'elle ne soit complètement déchargée. Arrêtez toujours l'outil et rechargez la batterie quand vous remarquez que la puissance de l'outil diminue.
2. Ne rechargez jamais une batterie complètement chargée. La surcharge réduit la durée de service de la batterie.
3. Chargez la batterie à une température ambiante comprise entre 10 °C et 40 °C. Avant de charger une batterie chaude, laissez-la refroidir.
4. Lorsque vous n'utilisez pas la batterie, retirez-la de l'outil ou du chargeur.
5. Rechargez la batterie si elle est restée inutilisée pendant une période prolongée (plus de six mois).

## DESCRIPTION DES PIÈCES

► Fig.4

1	Indicateur de vitesse	2	Témoin ADT (ADT = Automatic Torque Drive Technology (technologie de couple de traction automatique))	3	Témoin d'avertissement	4	Bouton d'alimentation principale
5	Bouton de marche arrière	6	Fiche	7	Levier de sécurité	8	Gâchette
9	Dispositif de suspension	10	Poignée	11	Barre de protection	12	Bouton

13	Protecteur	14	Extension de protecteur (pour tête de coupe à fil nylon/lame en plastique)	15	Lanière de suspension	-	-
----	------------	----	----------------------------------------------------------------------------	----	-----------------------	---	---

## DESCRIPTION DU FONCTIONNEMENT

**⚠️ AVERTISSEMENT :** Assurez-vous toujours que l'outil est hors tension et que le support d'alimentation portable est débranché de l'outil avant de régler ou de vérifier le fonctionnement de l'outil. En ne mettant pas l'outil hors tension et en ne débranchant pas le support d'alimentation portable, vous risqueriez de vous blesser grièvement en cas de démarrage accidentel.

### Système de protection de l'outil/la batterie

L'outil est équipé d'un système de protection de l'outil/la batterie. Ce système coupe automatiquement l'alimentation vers le moteur pour prolonger la durée de vie de l'outil et de la batterie. Si l'outil se trouve dans l'une des situations suivantes, l'outil cessera automatiquement de fonctionner :

Témoin d'avertissement		État
Couleur	● Allumé / ● Clignotant	
Vert	●	Surcharge
Rouge	● (outil) / ● (batterie)	Surchauffe
Rouge	●	Décharge excessive

### Protection contre la surcharge

Si l'outil présente l'une des situations suivantes, il s'arrête automatiquement et le témoin d'avertissement se met à clignoter en vert :

- L'outil est surchargé par un enchevêtrement de mauvaises herbes ou d'autres débris.
- L'outil de coupe est bloqué ou a reculé.
- Le bouton d'alimentation principale est activé pendant que la gâchette est enclenchée.

Dans cette situation, relâchez la gâchette et retirez l'enchevêtrement de mauvaises herbes ou des débris si nécessaire. Cela fait, enclenchez de nouveau la gâchette pour reprendre la tâche.

**⚠️ ATTENTION :** Si vous avez besoin de retirer l'enchevêtrement de mauvaises herbes sur l'outil ou de dégager un outil de coupe bloqué, veillez à éteindre l'outil avant de commencer.

### Protection contre la surchauffe de l'outil ou de la batterie

En cas de surchauffe de l'outil ou de la batterie, l'outil s'arrête automatiquement. Si l'outil surchauffe, le témoin d'avertissement s'allume en rouge. Si la batterie

surchauffe, le témoin d'avertissement clignote en rouge. Laissez l'outil et/ou la batterie refroidir avant de rallumer l'outil.

### Protection contre la décharge totale de la batterie

Lorsque la charge de la batterie devient faible, l'outil s'arrête automatiquement et le témoin d'avertissement se met à clignoter en rouge.

Si l'outil ne fonctionne pas même en actionnant les interrupteurs, retirez la batterie de l'outil et chargez-la.

### Interrupteur principal

Touchez le bouton d'alimentation principale pour mettre l'outil sous tension.

Pour mettre l'outil hors tension, maintenez à nouveau enfoncé le bouton d'alimentation principale jusqu'à ce que l'indicateur de vitesse s'éteigne.

► **Fig.5:** 1. Indicateur de vitesse 2. Bouton d'alimentation principale

**NOTE :** L'outil s'éteindra automatiquement s'il n'est pas utilisé pendant un certain temps.

### Fonctionnement de la gâchette

**⚠️ AVERTISSEMENT :** Pour votre sécurité, cet outil est équipé d'un levier de sécurité qui empêche tout démarrage involontaire. N'utilisez JAMAIS l'outil si vous pouvez le démarrer simplement en appuyant sur la gâchette sans appuyer sur le levier de sécurité. Demandez à un centre technique agréé de réaliser les réparations AVANT toute nouvelle utilisation.

**⚠️ AVERTISSEMENT :** Ne scotchez JAMAIS le levier de sécurité, ni n'ignorez son objectif et sa fonction.

**⚠️ ATTENTION :** Avant de brancher le support d'alimentation portable sur l'outil, vérifiez toujours que la gâchette fonctionne correctement et qu'elle revient sur la position « OFF » (arrêt) quand vous la relâchez. L'utilisation d'un outil dont l'interrupteur est défectueux comporte un risque de perte de contrôle et de graves blessures.

**⚠️ ATTENTION :** Ne placez jamais votre doigt sur le bouton d'alimentation principale et la gâchette lors du transport de l'outil. L'outil risquerait de démarrer brusquement et de provoquer des blessures.

**REMARQUE :** Évitez d'appuyer sur la gâchette avec force lorsque le levier de sécurité n'est pas enfoncé. Vous risqueriez de briser la gâchette.

Un levier de sécurité est prévu pour prévenir l'enclenchement accidentel de la gâchette. Pour démarrer l'outil, enfoncez le levier de sécurité puis enclenchez la



gâchette. La vitesse de l'outil augmente à mesure que vous augmentez la pression sur la gâchette. Pour l'arrêter, relâchez la gâchette.

#### UR101C

► Fig.6: 1. Levier de sécurité 2. Gâchette










#### UR201C

► Fig.7: 1. Levier de sécurité 2. Gâchette

## Réglage de la vitesse

Vous pouvez sélectionner la vitesse de l'outil en touchant le bouton d'alimentation principale. Chaque fois que vous touchez le bouton d'alimentation principale, le niveau de vitesse change. L'outil règle automatiquement la vitesse de rotation selon l'outil de coupe fixé sur l'outil.

► Fig.8: 1. Indicateur de vitesse 2. Bouton d'alimentation principale


Indicateur de vitesse	Mode	Vitesse de rotation	
		Lame de coupe Lame en plastique (305 mm)	Tête de coupe à fil nylon Lame en plastique (255 mm)
3  2  1 	Élevé	0 - 7 000 min <sup>-1</sup>	0 - 5 500 min <sup>-1</sup>
3  2  1 	Moyen	0 - 5 500 min <sup>-1</sup>	0 - 5 000 min <sup>-1</sup>
3  2  1 	Faible	0 - 4 600 min <sup>-1</sup>	0 - 4 600 min <sup>-1</sup>

## Technologie de couple de traction automatique

Lorsque vous activez l'ADT (technologie de couple de traction automatique), l'outil tourne à une vitesse de rotation et un couple optimaux pour l'herbe à couper. L'outil détecte automatiquement l'outil de coupe fixé et choisit une vitesse de rotation adaptée.

Pour démarrer l'ADT, maintenez enfoncé le bouton de marche arrière jusqu'à ce que le témoin ADT s'allume. Pour arrêter l'ADT, maintenez enfoncé le bouton de marche arrière jusqu'à ce que le témoin ADT s'éteigne.

► Fig.9: 1. Témoin ADT 2. Bouton de marche arrière

Indicateur	Mode	Outil de coupe	Vitesse de rotation
	ADT	Lame de coupe Lame en plastique (305 mm)	3 500 - 7 000 min <sup>-1</sup>
		Tête de coupe à fil nylon Lame en plastique (255 mm)	3 500 - 5 500 min <sup>-1</sup>

## Bouton de marche arrière pour le retrait des débris

**⚠ AVERTISSEMENT :** Mettez l'outil hors tension et débranchez le support d'alimentation portable de l'outil avant de retirer un enchevêtrement de mauvaises herbes ou des débris que la fonction de rotation inverse ne peut pas retirer. Le non-respect de cette précaution présente un risque de graves blessures en cas de démarrage accidentel.

Cet outil est pourvu d'un bouton de marche arrière permettant de changer le sens de rotation. Il sert uniquement à retirer les mauvaises herbes et débris pris dans l'outil.

Pour inverser la rotation, touchez le bouton de marche arrière et enclenchez la gâchette tout en enfonçant le levier de sécurité une fois que l'outil de coupe s'est arrêté. Les indicateurs de vitesse et le témoin ADT se mettent à clignoter, et l'outil de coupe tourne en sens inverse lorsque vous enclenchez la gâchette. Pour revenir à la rotation normale, relâchez la gâchette et attendez que l'outil de coupe s'arrête.

► Fig.10: 1. Indicateur de vitesse 2. Témoin ADT 3. Bouton de marche arrière

**NOTE :** Pendant la rotation inverse, l'outil ne fonctionne que pendant une courte période et s'arrête automatiquement.

**NOTE :** Une fois que l'outil est arrêté, la rotation revient au sens habituel lorsque vous redémarrez l'outil.

**NOTE :** Si vous touchez le bouton de marche arrière alors que l'outil de coupe tourne encore, l'outil s'arrête en vue de la rotation inverse.

## Frein électrique

Cet outil est équipé d'un frein électrique. Si systématiquement l'outil n'arrive pas à s'arrêter rapidement après le relâchement de la gâchette, faites réparer l'outil dans notre centre de service.

**⚠ ATTENTION :** Ce système de frein n'est pas destiné à remplacer le protecteur. N'utilisez jamais l'outil sans le protecteur. Un outil de coupe non protégé présente un risque de grave blessure.

## Fonction électronique

### Contrôle de vitesse constante

La fonction de contrôle de la vitesse offre une vitesse de rotation constante quelles que soient les conditions de charge.

### Fonction de démarrage en douceur

La suppression du choc de démarrage permet un démarrage en douceur.

## ASSEMBLAGE

**⚠ AVERTISSEMENT :** Assurez-vous toujours que l'outil est hors tension et que le support d'alimentation portable est débranché de l'outil avant toute intervention sur l'outil. En ne mettant pas l'outil hors tension et en ne débranchant pas le support d'alimentation portable, vous risqueriez de vous blesser grièvement en cas de démarrage accidentel.

**⚠ AVERTISSEMENT :** Ne démarrez l'outil que si ses pièces sont toutes montées. Si vous utilisez un outil dont les pièces sont partiellement montées, vous risqueriez de vous blesser grièvement en cas de démarrage accidentel.

### Installation de la poignée

Pour le UR101C

1. Insérez le manche de la poignée dans l'extrémité de la poignée. Alignez le trou de la vis de l'extrémité de la poignée avec celui du manche. Serrez solidement la vis.

► Fig.11: 1. Extrémité de la poignée 2. Vis 3. Manche

**REMARQUE :** Notez le sens de l'extrémité de la poignée. Les trous de vis ne seront pas alignés si l'extrémité de la poignée n'est pas insérée dans le bon sens.

2. Placez le ressort sur la base.

► Fig.12: 1. Bouton 2. Dispositif de serrage de la poignée 3. Poignée 4. Porte-poignée 5. Ressort 6. Base

3. Placez la poignée entre le dispositif de serrage de la poignée et le porte-poignée.

4. Fixez provisoirement la poignée en serrant le bouton, et réglez la position de la poignée.

5. Serrez complètement le bouton.

Pour le UR201C

1. Fixez les dispositifs de serrage supérieur et inférieur sur l'amortisseur.

2. Placez la poignée sur le dispositif de serrage supérieur et fixez-la en place avec les boulons à tête cylindrique à six pans creux comme illustré.

► Fig.13: 1. Boulon à tête cylindrique à six pans creux 2. Poignée 3. Dispositif de serrage supérieur 4. Amortisseur 5. Dispositif de serrage inférieur

## Fixation de la barre de protection

Pour le modèle avec poignée arceau uniquement (selon le pays)

Si la barre de protection est incluse avec votre modèle, fixez-la à la poignée au moyen de la vis sur la barre.

► Fig.14: 1. Barre de protection 2. Vis

**⚠ ATTENTION :** Après avoir fixé la barre de protection, ne la retirez pas. La barre de protection fait office de pièce de sécurité pour empêcher tout contact accidentel avec la lame de coupe.

## Rangement de la clé hexagonale

**⚠ ATTENTION :** Veillez à ne pas laisser la clé hexagonale insérée dans la tête de l'outil. Cela peut provoquer des blessures et/ou endommager l'outil.

Lorsque vous n'utilisez pas la clé hexagonale, rangez-la comme illustré pour éviter de la perdre.

► Fig.15: 1. Clé hexagonale

Pour le modèle avec poignée guidon, la clé hexagonale peut être rangée sur le dispositif de serrage de la poignée comme illustré.



► Fig.16: 1. Clé hexagonale 2. Dispositif de serrage de la poignée

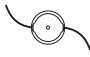
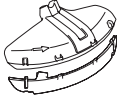

Pour le modèle avec poignée arceau, la clé hexagonale peut être rangée sur la poignée comme illustré.

► Fig.17: 1. Clé hexagonale

## Bonne combinaison de l'outil de coupe et du protecteur

**⚠ ATTENTION :** Utilisez toujours la bonne combinaison d'outil de coupe et de protecteur. Une mauvaise combinaison risque de ne pas vous protéger contre l'outil de coupe, les projections de débris et de pierres. Cela pourrait également affecter l'équilibre de l'outil et provoquer des blessures.

Outil de coupe	Protecteur
Lame de coupe (Lames à 2 dents, 3 dents, 4 dents)	
	

Outil de coupe	Protecteur
<p>Tête de coupe à fil nylon</p> 	
<p>Lame en plastique</p> 	

## Installation du protecteur

**⚠️ AVERTISSEMENT :** N'utilisez jamais l'outil sans le carter de protection ou avec le carter de protection mal installé. Vous risqueriez autrement de vous blesser grièvement.

**NOTE :** Le type de protecteur fourni comme accessoire standard est différent selon le pays.

## Pour la lame de coupe

Fixez le protecteur au dispositif de serrage au moyen des boulons.

► **Fig.18:** 1. Dispositif de serrage 2. Protecteur

## Pour la tête de coupe à fil nylon/lame en plastique

**⚠️ ATTENTION :** Prenez garde de ne pas vous blesser avec l'outil de coupe lorsque vous coupez le cordon en nylon.

Fixez le protecteur au dispositif de serrage au moyen des boulons. Ceci fait, installez l'extension de protecteur. Insérez l'extension de protecteur sur le protecteur, puis enclenchez les attaches. Assurez-vous que les onglets sur l'extension de protecteur s'insèrent dans les fentes sur le protecteur.

► **Fig.19:** 1. Protecteur 2. Attache 3. Extension de protecteur 4. Outil de coupe 5. Fente 6. Onglet

Pour retirer l'extension de protecteur, désenclenchez les attaches en insérant la clé hexagonale comme illustré.

► **Fig.20:** 1. Clé hexagonale 2. Attache

## Installation de l'outil de coupe

**⚠️ ATTENTION :** Utilisez toujours les clés fournies pour retirer ou pour installer l'outil de coupe.

**⚠️ ATTENTION :** Veillez à retirer la clé hexagonale insérée dans la tête de l'outil après avoir installé l'outil de coupe.

**NOTE :** Le type d'outil(s) de coupe fourni(s) comme accessoire standard est différent selon le pays. L'outil de coupe n'est pas inclus dans certains pays.

**NOTE :** Retournez l'outil pour pouvoir remplacer facilement l'outil de coupe.

## Lame de coupe

**⚠️ ATTENTION :** Lorsque vous manipulez une lame de coupe, portez toujours des gants et placez le couvre-lame sur la lame.

**⚠️ ATTENTION :** La lame de coupe doit être bien polie et exempte de fissures ou de ruptures. Si la lame de coupe heurte une pierre pendant l'utilisation, arrêtez l'outil et vérifiez immédiatement la lame de coupe.

**⚠️ ATTENTION :** Utilisez toujours la lame de coupe ayant le diamètre décrit dans la section des spécifications.

1. Placez le couvre-lame sur la lame de coupe.

### Lame à 2 dents

► **Fig.21**

### Lame à 3 dents

► **Fig.22**

### Lame à 4 dents

► **Fig.23**

2. Insérez la clé hexagonale par le trou dans le boîtier d'engrenage pour verrouiller l'axe. Tournez l'axe jusqu'à ce que la clé hexagonale soit complètement insérée.

► **Fig.24:** 1. Écrou 2. Manchon 3. Rondelle de serrage 4. Lame de coupe 5. Axe 6. Rondelle d'appui 7. Clé hexagonale

3. Montez la lame de coupe sur la rondelle d'appui de sorte que les flèches sur la lame de coupe et le protecteur soient dirigées dans le même sens.

► **Fig.25:** 1. Flèche

4. Placez la rondelle de serrage et le manchon sur la lame de coupe, puis serrez bien l'écrou avec la clé à douille.

► **Fig.26:** 1. Clé à douille 2. Clé hexagonale 3. Desserrer 4. Serrer

**NOTE :** Couple de serrage : 20 - 30 N·m

5. Retirez la clé hexagonale du boîtier d'engrenage. Pour déposer la lame de coupe, effectuez la procédure de pose dans l'ordre inverse.

## Tête de coupe à fil nylon

**REMARQUE :** Utilisez toujours une tête de coupe à fil nylon de marque Makita.

Il existe deux types de tête de coupe à fil nylon : le type avance par frappe et le type avance manuelle.

### Type avance par frappe

► **Fig.27:** 1. Tête de coupe à fil nylon 2. Axe 3. Clé hexagonale 4. Desserrer 5. Serrer

# UTILISATION

## Réglage de la position de travail

1. Insérez la clé hexagonale par le trou dans le boîtier d'engrenage pour verrouiller l'axe. Tournez l'axe jusqu'à ce que la clé hexagonale soit complètement insérée.

2. Placez la tête de coupe à fil nylon sur l'axe et serrez-la bien manuellement.

3. Retirez la clé hexagonale du boîtier d'engrenage.

Pour déposer la tête de coupe à fil nylon, effectuez la procédure de pose dans l'ordre inverse.

### Type avance manuelle

► **Fig.28:** 1. Écrou 2. Tête de coupe à fil nylon 3. Axe 4. Clé hexagonale

1. Insérez la clé hexagonale par le trou dans le boîtier d'engrenage pour verrouiller l'axe. Tournez l'axe jusqu'à ce que la clé hexagonale soit complètement insérée.

2. Placez la tête de coupe à fil nylon sur l'axe et serrez bien l'écrou avec la clé à douille.

► **Fig.29:** 1. Clé à douille 2. Clé hexagonale 3. Desserrer 4. Serrer

3. Retirez la clé hexagonale du boîtier d'engrenage.

Pour déposer la tête de coupe à fil nylon, effectuez la procédure de pose dans l'ordre inverse.

## Lame en plastique

**REMARQUE :** Veillez à utiliser une lame en plastique Makita d'origine.

► **Fig.30:** 1. lame en plastique 2. Axe 3. Clé hexagonale 4. Desserrer 5. Serrer

1. Insérez la clé hexagonale par le trou dans le boîtier d'engrenage pour verrouiller l'axe. Tournez l'axe jusqu'à ce que la clé hexagonale soit complètement insérée.

2. Placez la lame en plastique sur l'axe et serrez-la bien manuellement.

3. Retirez la clé hexagonale du boîtier d'engrenage.

Pour retirer la lame en plastique, effectuez la procédure de pose dans l'ordre inverse.

**ATTENTION :** Avant d'effectuer cette procédure, installez la ou les batteries sur le support d'alimentation portable et terminez les réglages pour la ceinture ventrale et la bandoulière.

Consultez le mode d'emploi du support d'alimentation portable pour en savoir plus.

**ATTENTION :** Pour éviter les démarrages intempestifs, ne mettez jamais sous tension le support d'alimentation portable tout au long de cette procédure. La ou les batteries doivent être installées de manière à faciliter l'utilisation avec l'équilibre de poids réel.

**ATTENTION :** Lorsque vous utilisez l'outil en combinaison avec une alimentation de type dorsal, comme un support d'alimentation portable, utilisez la lanière de suspension incluse dans l'emballage de l'outil ou la lanière de suspension recommandée par Makita.

Si vous placez en même temps une sangle d'épaule non recommandée par Makita et la bandoulière d'alimentation de type dorsal, il est difficile de retirer l'outil ou l'alimentation de type dorsal en cas d'urgence, ce qui peut provoquer un accident ou des blessures. Pour connaître la lanière de suspension recommandée, adressez-vous aux centres de service après-vente Makita agréés.

1. Tirez sur le cordon depuis le côté droit du support d'alimentation portable. Lorsque vous tirez sur le cordon, veillez à le placer dans les supports comme illustré sur la figure.

► **Fig.31:** 1. Cordon 2. Support

2. Fixez les crochets de la lanière de suspension sur les anneaux des sangles d'épaule ou du harnais ventral comme illustré sur la figure.

### Fixation de la lanière de suspension à la sangle d'épaule

► **Fig.32:** 1. Lanière de suspension 2. Anneau 3. Crochet

### Fixation de la lanière de suspension à la sangle d'épaule et à la ceinture ventrale

► **Fig.33:** 1. Lanière de suspension 2. Anneau 3. Crochet

3. Portez la bandoulière du support d'alimentation portable et fermez la boucle sur la ceinture ventrale.

► **Fig.34**

Ajustez la longueur de la lanière de suspension au besoin.

► **Fig.35**

4. Fixez l'outil à la bandoulière au moyen du crochet sur la lanière de suspension. Veillez à l'accrocher au dispositif de suspension de l'outil.

### UR101C

► **Fig.36:** 1. Crochet 2. Dispositif de suspension

## UR201C

► Fig.37: 1. Crochet 2. Dispositif de suspension

5. Insérez la fiche de l'outil dans la prise du support d'alimentation portable.

Lors de l'insertion, alignez les repères triangulaires sur la fiche et la prise.

## UR101C

► Fig.38: 1. Fiche 2. Prise 3. Repère triangulaire

## UR201C

► Fig.39: 1. Fiche 2. Prise 3. Repère triangulaire

6. Ajustez la longueur du cordon au moyen du support au besoin.

► Fig.40: 1. Support

La longueur du cordon est correctement ajustée lorsque vous pouvez :

- faire osciller l'outil sans entrave du cordon ;
- faire osciller l'outil sans que le cordon ballotte ; et
- débrancher la fiche de la prise sans retirer la bandoulière du support d'alimentation portable.

**⚠ ATTENTION : Il doit y avoir un jeu adéquat du cordon entre l'outil et le support d'alimentation portable.** S'il n'y a pas assez de jeu, le déplacement de l'outil peut être entravé. S'il y a trop de jeu, le cordon peut être coincé par d'autres objets et provoquer un accident.

## Réglage de la position du dispositif de suspension

### Pour le UR101C uniquement

Pour une manipulation plus confortable de l'outil, vous pouvez changer la position du dispositif de suspension.

1. Desserrez la vis sur le dispositif de suspension et faites-le glisser sur une position confortable pour travailler.

► Fig.41: 1. Dispositif de suspension 2. Vis 3. Cordon

**REMARQUE : Lors du réglage de la position du dispositif de suspension, ajustez également la position du cordon.**

2. Ajustez la position du dispositif de suspension comme illustré sur la figure, puis serrez la vis.

► Fig.42

1	La position du dispositif de suspension à partir du sol
2	La position de l'outil de coupe à partir du sol
3	La distance horizontale entre le dispositif de suspension et la partie non protégée de l'outil de coupe

## Démarrage

**⚠ ATTENTION : Avant utilisation, terminez de régler la position de travail en suivant les instructions dans la section sur la position de travail.**

**⚠ ATTENTION : Avant utilisation, assurez-vous que la boucle sur la ceinture ventrale est fermée et que l'outil est solidement fixé au crochet de la lanière de suspension.**

**⚠ ATTENTION : Appuyez toujours sur le bouton d'alimentation principale pour mettre l'outil sous tension juste avant de couper l'herbe.** Vous risqueriez autrement de vous blesser en cas de démarrage intempestif.

1. Installez la ou les batteries sur le support d'alimentation portable.

► Fig.43: 1. Support d'alimentation portable  
2. Batterie

**NOTE :** Reportez-vous au mode d'emploi de votre support d'alimentation portable pour savoir comment installer les batteries.

2. Appuyez sur le bouton d'alimentation du support d'alimentation portable. Le témoin d'alimentation principale s'allume.

► Fig.44: 1. Témoin d'alimentation principale  
2. Bouton d'alimentation

3. Portez la bandoulière du support d'alimentation portable et fermez la boucle sur la ceinture ventrale.

► Fig.45

4. Fixez l'outil à la bandoulière au moyen du crochet sur la lanière de suspension. Veillez à l'accrocher au dispositif de suspension de l'outil.

## UR101C

► Fig.46: 1. Crochet 2. Dispositif de suspension

## UR201C

► Fig.47: 1. Crochet 2. Dispositif de suspension

5. Insérez la fiche de l'outil dans la prise du support d'alimentation portable.

Lors de l'insertion, alignez les repères triangulaires sur la fiche et la prise.

## UR101C

► Fig.48: 1. Fiche 2. Prise 3. Repère triangulaire

## UR201C

► Fig.49: 1. Fiche 2. Prise 3. Repère triangulaire

6. Touchez le bouton d'alimentation principale pour mettre l'outil sous tension.

L'outil est prêt à fonctionner. L'outil fonctionnera lorsque vous enfoncez la gâchette.

► Fig.50: 1. Bouton d'alimentation principale

**⚠ ATTENTION : Lorsque vous arrêtez temporairement de l'utiliser, éteignez toujours l'outil et retirez la fiche de la prise.** Vous risqueriez autrement de vous blesser en cas de démarrage intempestif.

Lorsque vous cessez l'utilisation, maintenez enfoncé le

bouton d'alimentation principale jusqu'à ce que l'indicateur de vitesse s'éteigne, puis exécutez la procédure ci-dessus dans l'ordre inverse.

## Manipulation correcte de l'outil

**⚠AVERTISSEMENT** : Placez toujours l'outil du côté droit de votre corps. Le bon positionnement de l'outil apporte une maîtrise optimale et réduit le risque de graves blessures provoquées par le recul.

**⚠AVERTISSEMENT** : Redoublez de prudence pour garder constamment la maîtrise de l'outil. Ne laissez pas l'outil dévier vers vous ou en direction de quiconque à proximité de la zone de travail. Si vous ne maîtrisez pas l'outil, vous risqueriez de vous blesser et de blesser d'autres personnes.

**⚠AVERTISSEMENT** : Pour éviter les accidents, laissez une distance de 15 m entre les utilisateurs lorsque plus de deux personnes travaillent dans la même zone. De plus, prévoyez une personne pour observer la distance entre les utilisateurs. Si une personne ou un animal pénètre dans la zone de travail, cessez immédiatement l'utilisation.

**⚠ATTENTION** : Si l'outil de coupe frappe accidentellement une pierre ou un objet dur pendant le fonctionnement, arrêtez l'outil et vérifiez l'absence de dommages. Si l'outil de coupe est endommagé, remplacez-le immédiatement.

L'utilisation d'un outil de coupe endommagé présente un risque de grave blessure.

**⚠ATTENTION** : Retirez le couvre-lame de la lame de coupe lorsque vous coupez de l'herbe.

Un bon positionnement et une manipulation correcte apportent une maîtrise optimale et réduisent le risque de blessures provoquées par le recul.

UR101C

► Fig.51

UR201C

► Fig.52

**Lorsque vous utilisez une tête de coupe à fil nylon (type avance par frappe)**

La tête de coupe à fil nylon est une tête de coupe herbe double fil avec un mécanisme d'avance par frappe.

Pour faire sortir le cordon en nylon, cognez la tête de coupe contre le sol pendant qu'elle tourne.

► Fig.53: 1. Zone de coupe la plus efficace

**REMARQUE** : L'avance par frappe au sol ne fonctionnera pas correctement si la tête de coupe à fil nylon ne tourne pas.

**NOTE** : Si le cordon en nylon ne sort pas lorsque vous cognez la tête, rembobinez ou remplacez le cordon en nylon en suivant les procédures de la section pour l'entretien.

## Retrait d'urgence

**⚠ATTENTION** : En cas de retrait d'urgence, portez une attention particulière à la position de l'outil de coupe en rotation.

En cas d'urgence, retirez l'outil de l'une ou l'autre manière décrite ci-dessous :

Débloquez la boucle sur la ceinture ventrale et retirez la bandoulière du support d'alimentation portable qui est connecté à l'outil.

► Fig.54: 1. Boucle

Débloquez la boucle sur la lanière de suspension et relâchez l'outil. Le cordon se détachera sous le poids de l'outil.

► Fig.55: 1. Boucle

## ENTRETIEN

**⚠AVERTISSEMENT** : Assurez-vous toujours que l'outil est hors tension et que le support d'alimentation portable est débranché de l'outil avant d'effectuer tout travail d'inspection ou d'entretien sur l'outil. En ne mettant pas l'outil hors tension et en ne débranchant pas le support d'alimentation portable, vous risqueriez de vous blesser grièvement en cas de démarrage accidentel.

**REMARQUE** : N'utilisez jamais d'essence, benzène, diluant, alcool ou autre produit similaire. Cela risquerait de provoquer la décoloration, la déformation ou la fissuration de l'outil.

Pour assurer la SÉCURITÉ et la FIABILITÉ du produit, toute réparation, tout travail d'entretien ou de réglage doivent être effectués par un centre d'entretien Makita agréé, avec des pièces de rechange Makita.

## Nettoyage de l'outil

Nettoyez l'outil en essuyant la poussière, la saleté ou l'herbe coupée avec un chiffon sec ou un chiffon imbibé d'eau savonneuse bien essoré. Pour éviter la surchauffe de l'outil, veillez à retirer l'herbe coupée ou les débris collés sur l'orifice d'aération de l'outil.

## Remplacement du cordon en nylon

**⚠ AVERTISSEMENT :** Utilisez uniquement un cordon en nylon du diamètre spécifié dans ce manuel d'instructions. N'utilisez jamais de fils plus épais, de fil métallique, de corde ou autre.

Autrement, vous risqueriez d'endommager l'outil et de provoquer de graves blessures.

**⚠ AVERTISSEMENT :** Retirez toujours la tête de coupe à fil nylon de l'outil lorsque vous remplacez le cordon en nylon.

**⚠ AVERTISSEMENT :** Assurez-vous que le couvercle de la tête de coupe à fil nylon est bien fixé au logement comme décrit dans ce mode d'emploi. Autrement, la tête de coupe à fil nylon pourrait être projetée et provoquer de graves blessures.

Remplacez le cordon en nylon s'il n'avance plus. La méthode de remplacement du cordon en nylon dépend du type de la tête de coupe à fil nylon.

### 95-M10L

► Fig.56

### 96-M10L

► Fig.57

### 98-M10L

► Fig.58

### B&F ECO 4L

► Fig.59

### UN-74L, UN-72L

► Fig.60

## Type avance manuelle

Lorsque le cordon en nylon raccourcit, tirez-le par l'œillet et faites-le avancer par l'autre œillet.

► Fig.61

## Remplacement de la lame en plastique

Remplacez la lame en plastique si elle est usée ou cassée.

► Fig.62

Lorsque vous installez la lame en plastique, alignez le sens de la flèche sur la lame avec celle du protecteur.

► Fig.63: 1. Flèche sur le protecteur 2. Flèche sur la lame

# GUIDE DE DÉPANNAGE

Avant de faire une demande de réparation, effectuez d'abord vous-même une inspection. Si vous rencontrez un problème non documenté dans le mode d'emploi, n'essayez pas de démonter l'outil. Demandez plutôt à un centre de service après-vente Makita agréé d'effectuer la réparation au moyen de pièces de rechange Makita.

État d'anomalie	Cause probable (dysfonctionnement)	Solution
Le moteur ne tourne pas.	La batterie n'est pas installée.	Installez la batterie.
	Problème de batterie (sous tension)	Rechargez la batterie. Si vous n'arrivez pas à recharger la batterie, remplacez-la.
	Le mécanisme d'entraînement ne fonctionne pas correctement.	Demandez à votre centre de service après-vente local agréé d'effectuer la réparation.
Le moteur s'arrête au bout d'un court moment.	La charge de la batterie est faible.	Rechargez la batterie. Si vous n'arrivez pas à recharger la batterie, remplacez-la.
	Surchauffe.	Arrêtez d'utiliser l'outil pour le laisser refroidir.
L'outil ne tourne pas à plein régime.	La batterie n'est pas bien installée.	Installez la batterie comme décrit dans ce mode d'emploi.
	La batterie faiblit.	Rechargez la batterie. Si vous n'arrivez pas à recharger la batterie, remplacez-la.
	Le mécanisme d'entraînement ne fonctionne pas correctement.	Demandez à votre centre de service après-vente local agréé d'effectuer la réparation.
L'outil de coupe ne tourne pas : ⇒ arrêtez immédiatement la machine !	Un corps étranger, comme une branche, est coincé entre le carter de protection et l'outil de coupe.	Retirez le corps étranger.
	L'outil de coupe est mal serré.	Serrez solidement l'outil de coupe.
	Le mécanisme d'entraînement ne fonctionne pas correctement.	Demandez à votre centre de service après-vente local agréé d'effectuer la réparation.
Vibration anormale : ⇒ arrêtez immédiatement la machine !	Outil de coupe cassé, tordu ou usé	Remplacez l'outil de coupe.
	L'outil de coupe est mal serré.	Serrez solidement l'outil de coupe.
	Le mécanisme d'entraînement ne fonctionne pas correctement.	Demandez à votre centre de service après-vente local agréé d'effectuer la réparation.

État d'anomalie	Cause probable (dysfonctionnement)	Solution
L'outil de coupe et le moteur ne s'arrêtent pas : ⇒ Débranchez le support d'alimentation portable de l'outil immédiatement !	Dysfonctionnement électrique ou électronique.	Débranchez le support d'alimentation portable de l'outil et demandez à votre centre de service après-vente local agréé d'effectuer la réparation.

## ACCESSOIRES EN OPTION

**⚠ AVERTISSEMENT** : N'utilisez que les accessoires ou les pièces complémentaires recommandés dans ce mode d'emploi. L'utilisation de tout autre accessoire ou pièce complémentaire peut entraîner de graves blessures.

**⚠ ATTENTION** : Ces accessoires ou pièces complémentaires sont recommandés pour l'utilisation avec l'outil Makita spécifié dans ce mode d'emploi. L'utilisation de tout autre accessoire ou pièce complémentaire peut comporter un risque de blessure. N'utilisez les accessoires ou pièces complémentaires qu'aux fins auxquelles ils ont été conçus.

Pour obtenir plus de détails sur ces accessoires, contactez votre centre d'entretien local Makita.

- Lame de coupe
- Tête de coupe à fil nylon
- Cordon en nylon (fil de coupe)
- Lame en plastique
- Protecteur
- Batterie et chargeur Makita d'origine

**NOTE** : Il se peut que certains éléments de la liste soient compris dans l'emballage de l'outil en tant qu'accessoires standard. Ils peuvent varier d'un pays à l'autre.



## TECHNISCHE DATEN

Modell:		UR101C	UR201C
Handgrifftyp		Doppelgriffstange	Bügelgriff
Leerlaufdrehzahl (auf jeder Drehzahlstufe)	Schneidblatt Kunststoffmesser (305 mm)	3: 0 - 7.000 min <sup>-1</sup> 2: 0 - 5.500 min <sup>-1</sup> 1: 0 - 4.600 min <sup>-1</sup>	
	Nylonfadenkopf Kunststoffmesser (255 mm)	3: 0 - 5.500 min <sup>-1</sup> 2: 0 - 5.000 min <sup>-1</sup> 1: 0 - 4.600 min <sup>-1</sup>	
Gesamtlänge (ohne Schneidwerkzeug)		1.760 mm	1.795 mm
Nylonfaden-Durchmesser		2,4 mm	
Verwendbares Schneidwerkzeug und Schnittdurchmesser	2-Zahn-Schneidblatt (T/N 198345-9)	255 mm	
	3-Zahn-Schneidblatt (T/N 195299-1)	255 mm	
	4-Zahn-Schneidblatt (T/N 196895-8)	255 mm	
	Nylonfadenkopf (T/N 197993-1 / 191D90-9 / 1915D7-6)	430 mm	
	Kunststoffmesser (T/N 198383-1) (T/N 199868-0)	255 mm 305 mm	
Nennspannung		36 V - 40 V Gleichstrom	
Nettogewicht		5,2 kg	4,7 kg
Schutzgrad		IPX4	

- Wir behalten uns vor, Änderungen der technischen Daten im Zuge der Entwicklung und des technischen Fortschritts ohne vorherige Ankündigung vorzunehmen.
- Die technischen Daten können von Land zu Land unterschiedlich sein.
- Gewicht nach EPTA-Verfahren 01/2014

## Empfohlene kabelgebundene Stromquelle

Rückentragbare Akku-Bank	PDC01 / PDC1200 / PDC1500
--------------------------	---------------------------

- Die oben aufgelisteten kabelgebundenen Stromquellen sind je nach Ihrem Wohngebiet eventuell nicht erhältlich.
- Lesen Sie vor Gebrauch der kabelgebundenen Stromquelle die daran angebrachten Anweisungen und Warnmarkierungen durch.

## Geräusch

### Modell UR101C

Schneidwerkzeug	Schalldruckpegel (L <sub>pA</sub> ) dB (A)		Schalleistungspegel (L <sub>WA</sub> ) dB (A)		Zutreffender Standard
	(L <sub>pA</sub> ) dB(A)	Messunsicherheit (K) dB(A)	(L <sub>WA</sub> ) dB (A)	Messunsicherheit (K) dB(A)	
2-Zahn-Schneidblatt	81,7	0,5	93,9	0,8	ISO22868(ISO11806-1)
4-Zahn-Schneidblatt	83,0	0,3	97,6	0,2	ISO22868(ISO11806-1)
Nylonfadenkopf	80,0	0,9	91,8	1,0	ISO22868(ISO11806-1)/ EN50636-2-91
Kunststoffmesser	78,0	1,0	87,4	0,7	ISO22868(ISO11806-1)/ EN50636-2-91

### Modell UR201C

Schneidwerkzeug	Schalldruckpegel ( $L_{pA}$ ) dB (A)		Schalleistungspegel ( $L_{WA}$ ) dB (A)		Zutreffender Standard
	( $L_{pA}$ ) dB(A)	Messunsicherheit (K) dB(A)	( $L_{WA}$ ) dB (A)	Messunsicherheit (K) dB(A)	
2-Zahn-Schneidblatt	81,7	0,5	93,9	0,8	ISO22868(ISO11806-1)
4-Zahn-Schneidblatt	83,0	0,3	97,6	0,2	ISO22868(ISO11806-1)
Nylonfadenkopf	80,0	0,9	91,8	1,0	ISO22868(ISO11806-1)/ EN50636-2-91
Kunststoffmesser	78,0	1,0	87,4	0,7	ISO22868(ISO11806-1)/ EN50636-2-91

- Selbst wenn der oben aufgeführte Schalldruckpegel 80 dB (A) oder weniger beträgt, kann der bei der Arbeit erzeugte Schalldruckpegel 80 dB (A) überschreiten. Tragen Sie einen Gehörschutz.

**HINWEIS:** Der (Die) angegebene(n) Schallemissionswert(e) wurde(n) im Einklang mit der Standardprüfmethode gemessen und kann (können) für den Vergleich zwischen Werkzeugen herangezogen werden.

**HINWEIS:** Der (Die) angegebene(n) Schallemissionswert(e) kann (können) auch für eine Vorbewertung des Gefährdungsgrads verwendet werden.

**⚠️ WARNUNG:** Einen Gehörschutz tragen.

**⚠️ WARNUNG:** Die Schallemission während der tatsächlichen Benutzung des Elektrowerkzeugs kann je nach der Benutzungsweise des Werkzeugs, und speziell je nach der Art des bearbeiteten Werkstücks, von dem (den) angegebenen Wert(en) abweichen.

**⚠️ WARNUNG:** Identifizieren Sie Sicherheitsmaßnahmen zum Schutz des Benutzers anhand einer Schätzung des Gefährdungsgrads unter den tatsächlichen Benutzungsbedingungen (unter Berücksichtigung aller Phasen des Arbeitszyklus, wie z. B. Ausschalt- und Leerlaufzeiten des Werkzeugs zusätzlich zur Betriebszeit).

## Vibrationen

Zutreffender Standard : ISO22867(ISO11806-1)

### Modell UR101C

Schneidwerkzeug	Links-drehung		Rechts-drehung	
	$a_{h,w}$ ( $m/s^2$ )	Messunsicherheit K ( $m/s^2$ )	$a_{h,w}$ ( $m/s^2$ )	Messunsicherheit K ( $m/s^2$ )
2-Zahn-Schneidblatt	$\leq 2,5$	1,5	$\leq 2,5$	1,5
4-Zahn-Schneidblatt	$\leq 2,5$	1,5	$\leq 2,5$	1,5
Nylonfadenkopf	$\leq 2,5$	1,5	$\leq 2,5$	1,5
Kunststoffmesser	$\leq 2,5$	1,5	$\leq 2,5$	1,5

### Modell UR201C

Schneidwerkzeug	Links-drehung		Rechts-drehung	
	$a_{h,w}$ ( $m/s^2$ )	Messunsicherheit K ( $m/s^2$ )	$a_{h,w}$ ( $m/s^2$ )	Messunsicherheit K ( $m/s^2$ )
2-Zahn-Schneidblatt	$\leq 2,5$	1,5	$\leq 2,5$	1,5
4-Zahn-Schneidblatt	$\leq 2,5$	1,5	$\leq 2,5$	1,5
Nylonfadenkopf	$\leq 2,5$	1,5	$\leq 2,5$	1,5
Kunststoffmesser	$\leq 2,5$	1,5	$\leq 2,5$	1,5

**HINWEIS:** Der (Die) angegebene(n) Vibrationsgesamtwert(e) wurde(n) im Einklang mit der Standardprüfmethode gemessen und kann (können) für den Vergleich zwischen Werkzeugen herangezogen werden.

**HINWEIS:** Der (Die) angegebene(n) Vibrationsgesamtwert(e) kann (können) auch für eine Vorbewertung des Gefährdungsgrads verwendet werden.

**⚠️ WARNUNG:** Die Vibrationsemission während der tatsächlichen Benutzung des Elektrowerkzeugs kann je nach der Benutzungsweise des Werkzeugs, und speziell je nach der Art des bearbeiteten Werkstücks, von dem (den) angegebenen Emissionswert(en) abweichen.

**⚠️ WARNUNG:** Identifizieren Sie Sicherheitsmaßnahmen zum Schutz des Benutzers anhand einer Schätzung des Gefährdungsgrads unter den tatsächlichen Benutzungsbedingungen (unter Berücksichtigung aller Phasen des Arbeitszyklus, wie z. B. Ausschalt- und Leerlaufzeiten des Werkzeugs zusätzlich zur Betriebszeit).

## Symbole

Nachfolgend werden Symbole beschrieben, die für das Gerät verwendet werden können. Machen Sie sich unbedingt vor der Benutzung mit ihrer Bedeutung vertraut.



Besondere Umsicht und Aufmerksamkeit erforderlich.



Betriebsanleitung lesen.



Mindestens 15 m Abstand halten.



Gefahr durch herausgeschleuderte Objekte.



Vorsicht; Rückschlag



Helm, Schutzbrille und Gehörschutz tragen.



Schutzhandschuhe tragen.



Festes Schuhwerk mit rutschfesten Sohlen tragen. Sicherheitsschuhe mit Stahl-Zehenkappen werden empfohlen.



Nur für EU-Länder  
Aufgrund des Vorhandenseins gefährlicher Komponenten in der Ausrüstung können Elektro- und Elektronik-Altgeräte, Akkumulatoren und Batterien sich negativ auf die Umwelt und die menschliche Gesundheit auswirken. Entsorgen Sie Elektro- und Elektronikgeräte oder Batterien nicht mit dem Hausmüll!  
In Übereinstimmung mit der Europäischen Richtlinie über Elektro- und Elektronik-Altgeräte, Akkumulatoren und Batterien, verbrauchte Akkumulatoren und Batterien sowie ihrer Anpassung an nationales Recht sollten Elektro-Altgeräte, Batterien und Akkumulatoren gemäß den Umweltschutzbestimmungen getrennt gelagert und zu einer getrennten Sammelstelle für Siedlungsabfälle geliefert werden.  
Dies wird durch das am Gerät angebrachte Symbol der durchgestrichenen Abfalltonne auf Rädern angezeigt.



Garantierter Schalleistungspegel gemäß der EU-Richtlinie über Außenlärm.



Schalleistungspegel gemäß der australischen NSW-Lärmschutzverordnung

## Konformitätserklärungen

### Nur für europäische Länder

Die Konformitätserklärungen sind in Anhang A dieser Betriebsanleitung enthalten.

## SICHERHEITSWARNUNGEN

### Allgemeine Sicherheitswarnungen für Elektrowerkzeuge

**⚠️ WARNUNG** Lesen Sie alle Sicherheitshinweise, Anweisungen, Abbildungen und Spezifikationen, die diesem Elektrowerkzeug beiliegen. Eine Missachtung der unten aufgeführten Anweisungen kann zu einem elektrischen Schlag, Brand und/oder schweren Verletzungen führen.

### Bewahren Sie alle Warnungen und Anweisungen für spätere Bezugnahme auf.

Der Ausdruck „Elektrowerkzeug“ in den Warnhinweisen bezieht sich auf Ihr mit Netzstrom (mit Kabel) oder Akku (ohne Kabel) betriebenes Elektrowerkzeug.

### Wichtige Sicherheitsanweisungen für das Werkzeug

**⚠️ WARNUNG:** Lesen Sie unbedingt diese Bedienungsanleitung sowie die Gebrauchsanleitung der mit diesem Werkzeug zu benutzenden rückentragbaren Akku-Bank gründlich durch, um sich mit ihrem Inhalt vertraut zu machen. Eine Missachtung der unten aufgeführten Warnungen und Anweisungen kann zu einem elektrischen Schlag, Brand und/oder schweren Verletzungen führen.

**⚠️ WARNUNG:** Lesen Sie alle Sicherheitswarnungen und Anweisungen durch. Eine Missachtung der unten aufgeführten Warnungen und Anweisungen kann zu einem elektrischen Schlag, Brand und/oder schweren Verletzungen führen.

### Bewahren Sie alle Warnungen und Anweisungen für spätere Bezugnahme auf.

## Verwendungszweck

1. Dieses Werkzeug ist ausschließlich für das Schneiden von Gras, Unkraut, Gestrüpp und Niedrigbewuchs vorgesehen. Es sollte nicht für andere Zwecke, wie Kantenschnitten oder Heckenschnitten, verwendet werden, weil dadurch Verletzungen verursacht werden können.

## Allgemeine Anweisungen

1. Lassen Sie keinesfalls Personen, die nicht mit dieser Anleitung vertraut sind, Personen (einschließlich Kinder) mit verminderten körperlichen, sensorischen oder geistigen Fähigkeiten oder Mangel an Erfahrung und Kenntnissen das Werkzeug benutzen. Kinder sollten beaufsichtigt werden, um sicherzugehen, dass sie nicht mit dem Werkzeug spielen.
2. Bevor Sie das Werkzeug in Betrieb nehmen, sollten Sie diese Betriebsanleitung durchlesen, um sich mit der Handhabung des Werkzeugs vertraut zu machen.
3. Leihen Sie das Werkzeug keiner Person mit ungenügender Erfahrung oder Kenntnissen bezüglich der Handhabung von Freischneidern und Fadentrimmern.
4. Wenn Sie das Werkzeug verleihen, fügen Sie stets diese Betriebsanleitung bei.
5. Behandeln Sie das Werkzeug mit äußerster Sorgfalt und Aufmerksamkeit.
6. Benutzen Sie das Werkzeug niemals nach der Einnahme von Alkohol oder Drogen, oder wenn Sie sich müde oder krank fühlen.
7. Versuchen Sie niemals, das Werkzeug zu modifizieren.
8. Befolgen Sie die Vorschriften über die Handhabung von Freischneidern und Fadentrimmern in Ihrem Land.

## Persönliche Schutzausrüstung

► Abb.1

1. Tragen Sie einen Schutzhelm, eine Schutzbrille und Schutzhandschuhe, um sich vor zersplitterndem Unrat oder fallenden Gegenständen zu schützen.
2. Tragen Sie einen Gehörschutz, wie z. B. Ohrschützer, um eine Gehörschädigung zu verhindern.
3. Tragen Sie sachgerechte Kleidung und Schuhe für sicheren Betrieb, wie z. B. einen Arbeitoverall und robustes, rutschfestes Schuhwerk. Tragen Sie keine lose Kleidung oder Schmuck. Lose Kleidung, Schmuck oder langes Haar kann sich in beweglichen Teilen verfangen.
4. Tragen Sie Schutzhandschuhe, wenn Sie das Schneidblatt berühren müssen. Schneidblätter können schwere Verletzungen an bloßen Händen verursachen.

## Sicherheit im Arbeitsbereich

1. Betreiben Sie das Werkzeug nur bei Tageslicht unter guten Sichtverhältnissen. Betreiben Sie

das Werkzeug nicht bei Dunkelheit oder Nebel.

2. Betreiben Sie das Werkzeug nicht in explosiven Umgebungen, wie z. B. in Gegenwart von brennbaren Flüssigkeiten, Gasen oder Staub. Das Werkzeug erzeugt Funken, die den Staub oder die Dämpfe entzünden können.
3. Stellen Sie sich während der Arbeit niemals auf eine instabile oder schlüpfrige Fläche oder einen steilen Hang. Nehmen Sie sich während der kalten Jahreszeit vor Eis und Schnee in Acht, und achten Sie stets auf sicheren Stand.
4. Halten Sie Umstehende oder Tiere während der Arbeit mindestens 15 m vom Werkzeug entfernt. Halten Sie das Werkzeug an, sobald jemand sich nähert.
5. Betreiben Sie das Werkzeug keinesfalls, während sich Personen, besonders Kinder, oder Haustiere in der Nähe aufhalten.
6. Untersuchen Sie den Arbeitsbereich vor Arbeitsbeginn auf Steine oder andere feste Objekte. Diese können herausgeschleudert werden oder gefährlichen Rückstoß verursachen, was zu ernsthaften Verletzungen und/oder Beschädigung von Eigentum führen kann.
7. **⚠️ WARNUNG:** Durch die Benutzung dieses Produkts kann Staub aufgewirbelt werden, der Chemikalien enthält, die Erkrankungen der Atemwege oder andere Krankheiten verursachen können. Beispiele solcher Chemikalien sind Stoffe, die in Pestiziden, Insektiziden, Düngemitteln und Herbiziden anzutreffen sind. Ihre Gefährdung durch den Umgang mit solchen Chemikalien hängt davon ab, wie oft Sie diese Arbeiten verrichten. Um Ihre Gefährdung durch diese Chemikalien zu reduzieren: Arbeiten Sie in gut belüfteter Umgebung, und verwenden Sie geprüfte Sicherheitsvorrichtungen, wie z. B. Staubmasken, die mikroskopische Teilchen herausfiltern.

## Sicherheit der Elektrik und des Akkus

1. Setzen Sie das Werkzeug keinem Regen oder Nässe aus. Wasser, das in das Werkzeug eindringt, erhöht die Stromschlaggefahr.
2. Benutzen Sie das Werkzeug nicht, wenn es sich nicht mit dem Schalter ein- und ausschalten lässt. Ein Werkzeug, das nicht auf die Schalterbetätigung reagiert, ist gefährlich und muss repariert werden.
3. Unbeabsichtigtes Einschalten verhindern. Vergewissern Sie sich, dass sich der Schalter in der Aus-Stellung befindet, bevor Sie das Werkzeug aufheben oder tragen. Das Tragen des Werkzeugs mit dem Finger am Schalter oder das Anschließen bei eingeschaltetem Schalter führt zu Unfällen.
4. Werfen Sie den (die) Akku(s) nicht ins Feuer. Die Zelle könnte explodieren. Prüfen Sie die örtlichen Vorschriften für mögliche spezielle Entsorgungsanweisungen.
5. Versuchen Sie nicht, den (die) Akku(s) zu öffnen oder zu verstümmeln. Freigesetzter

Elektrolyt ist korrosiv und kann Schäden an Augen oder Haut verursachen. Falls er verschluckt wird, kann er giftig sein.

6. **Laden Sie den Akku nicht im Regen oder an nassen Orten.**
7. **Tauschen Sie den Akku nicht mit nassen Händen aus.**
8. **Tauschen Sie den Akku nicht im Regen aus.**
9. **Vermeiden Sie Benetzen der Akkukontakte mit einer Flüssigkeit, wie z. B. Wasser, oder Untertauchen des Akkus. Lassen Sie den Akku nicht im Regen stehen, und unterlassen Sie Laden, Benutzen oder Lagern des Akkus an einem feuchten oder nassen Ort.** Falls die Kontakte nass werden, oder eine Flüssigkeit in den Akku eindringt, kann der Akku kurzgeschlossen werden, und es besteht Überhitzungs-, Brand- oder Explosionsgefahr.
10. **Unterlassen Sie Anschließen/Abtrennen des Steckers an die/von der Buchse der rücken-tragbaren Akku-Bank bei Regen oder nassen Bedingungen. Unterlassen Sie Liegenlassen, Benutzen oder Lagern des Werkzeugs und der rückentragbaren Akku-Bank im Regen oder an einem feuchten oder nassen Ort.** Anderenfalls kann ein elektrischer Schlag verursacht werden.
11. **Nachdem Sie den Akku von der rücken-tragbaren Akku-Bank oder dem Ladegerät entfernt haben, bringen Sie unbedingt die Akkuabdeckung am Akku an, und lagern Sie ihn an einem trockenen Ort.**
12. **Falls der Akku nass wird, lassen Sie das eingedrungene Wasser ab, und wischen Sie ihn dann mit einem trockenen Tuch ab. Lassen Sie den Akku an einem trockenen Ort vollkommen trocken, bevor Sie ihn benutzen.**

## Inbetriebnahme

1. **Bevor Sie das Werkzeug zusammenbauen oder einstellen, sollten Sie die rückentragbare Akku-Bank vom Werkzeug trennen.**
2. **Tragen Sie Schutzhandschuhe, bevor Sie das Schneidblatt berühren.**
3. **Bevor Sie die rückentragbare Akku-Bank an das Werkzeug anschließen, sollten Sie das Werkzeug auf Beschädigungen, lockere Schrauben/Muttern oder unsachgemäßen Zusammenbau überprüfen. Schärfen Sie ein stumpfes Schneidblatt. Falls das Schneidblatt verbogen oder beschädigt ist, tauschen Sie es aus. Überprüfen Sie alle Bedienungshebel und Schalter auf Leichtgängigkeit. Säubern und trocknen Sie die Handgriffe.**
4. **Versuchen Sie niemals, das Werkzeug einzuschalten, wenn es beschädigt oder nicht vollständig zusammengebaut ist.** Anderenfalls kann es zu ernsthaften Verletzungen kommen.
5. **Stellen Sie den Schultergurt und den Handgriff auf die Körpergröße des Bedieners ein.**
6. **Wenn Sie die rückentragbare Akku-Bank an das Werkzeug anschließen, halten Sie den Schneidaufsatz von Ihrem Körper oder anderen Objekten, einschließlich des Bodens, fern.** Der Schneidaufsatz kann sich beim Starten drehen und Verletzungen oder Sachschäden an

Werkzeug und/oder Eigentum verursachen.

7. **Etwaige Einstell- oder Schraubenschlüssel oder die Schneidblattabdeckung sind vor dem Einschalten des Werkzeugs zu entfernen.** Ein Zubehörteil, das an einem rotierenden Teil des Werkzeugs angebracht gelassen wird, kann zu Personenschäden führen.
8. **Das Schneidwerkzeug muss mit der Schutzhaube ausgestattet sein. Betreiben Sie das Werkzeug niemals mit beschädigten oder fehlenden Schutzhauben!**
9. **Vergewissern Sie sich, dass keine Stromkabel, Wasserrohre, Gasrohre usw. vorhanden sind, die bei Beschädigung durch den Einsatz des Werkzeugs eine Gefahr darstellen können.**

## Betrieb

1. **Schalten Sie das Werkzeug im Notfall unverzüglich aus.**
2. **Falls Sie während des Betriebs einen ungewöhnlichen Zustand (z. B. Geräusche, Vibrationen) feststellen, schalten Sie das Werkzeug aus, und trennen Sie die rückentragbare Akku-Bank vom Werkzeug. Benutzen Sie das Werkzeug erst wieder, nachdem die Ursache festgestellt und behoben worden ist.**
3. **Der Schneidaufsatz dreht sich nach dem Ausschalten des Werkzeugs noch kurze Zeit weiter. Berühren Sie daher den Schneidaufsatz nicht voreilig.**
4. **Benutzen Sie den Schultergurt während des Betriebs. Halten Sie das Werkzeug sicher auf Ihrer rechten Seite.**
5. **Übernehmen Sie sich nicht. Achten Sie stets auf sicheren Stand und gute Balance. Achten Sie auf verborgene Hindernisse, wie z. B. Baumstümpfe, Wurzeln und Gräben, um Stolpern zu vermeiden.**
6. **Achten Sie beim Arbeiten auf Hängen stets auf sicheren Stand.**
7. **Stets gehen, niemals laufen.**
8. **Arbeiten Sie niemals auf einer Leiter oder einem Baum, um Verlust der Kontrolle zu vermeiden.**
9. **Falls das Werkzeug einen schweren Aufprall oder Sturz erleidet, überprüfen Sie seinen Zustand, bevor Sie die Arbeit fortsetzen. Überprüfen Sie die Bedienelemente und Sicherheitsvorrichtungen auf Fehlfunktionen. Falls Sie einen Schaden feststellen oder Zweifel haben, wenden Sie sich bezüglich einer Inspektion und Reparatur an unser autorisiertes Service-Center.**
10. **Vermeiden Sie Berühren des Antriebsgehäuses während und unmittelbar nach dem Betrieb.** Das Antriebsgehäuse wird während des Betriebs heiß und kann Verbrennungen verursachen.
11. **Machen Sie eine Pause, um durch Müdigkeit verursachten Verlust der Kontrolle zu verhindern.** Wir empfehlen, jede Stunde eine Pause von 10 bis 20 Minuten einzulegen.
12. **Wenn Sie das Werkzeug unbeaufsichtigt lassen, auch nur für kurze Zeit, sollten Sie stets**

- die rückentragbare Akku-Bank vom Werkzeug trennen. Bleibt der Akku des unbeaufsichtigten Werkzeugs eingesetzt, kann das Werkzeug von einer unbefugten Person benutzt werden und einen schweren Unfall verursachen.
13. **Falls sich Gras oder Äste zwischen Schneidaufsatz und Schutzhaube verfangen, schalten Sie stets das Werkzeug aus, und trennen Sie die rückentragbare Akku-Bank vom Werkzeug.** Anderenfalls kann sich der Schneidaufsatz unbeabsichtigt in Bewegung setzen und ernsthafte Verletzungen verursachen.
  14. **Berühren Sie rotierende gefährliche Teile niemals, bevor sie zu einem vollkommenen Stillstand gekommen sind und die rückentragbare Akku-Bank vom Werkzeug getrennt worden ist.**
  15. **Falls der Schneidaufsatz auf Steine oder andere harte Objekte trifft, schalten Sie das Werkzeug sofort aus.** Trennen Sie dann die rückentragbare Akku-Bank vom Werkzeug, und überprüfen Sie den Schneidaufsatz.
  16. **Überprüfen Sie den Schneidaufsatz während des Betriebs öfter auf Risse oder Beschädigung. Bevor Sie mit der Inspektion beginnen, sollten Sie die rückentragbare Akku-Bank vom Werkzeug trennen und sich vergewissern, dass der Schneidaufsatz vollkommen still steht. Wechseln Sie einen beschädigten Schneidaufsatz unverzüglich aus, selbst wenn er nur oberflächliche Risse aufweist.**
  17. **Schneiden Sie niemals über der Hüfthöhe.**
  18. **Bevor Sie mit der Schneidarbeit beginnen, warten Sie, bis der Schneidaufsatz nach dem Einschalten des Werkzeugs eine konstante Drehzahl erreicht.**
  19. **Wenn Sie ein Schneidblatt verwenden, schwenken Sie das Werkzeug gleichmäßig in einem Halbkreis von rechts nach links wie eine Sense.**
  20. **Halten Sie das Werkzeug nur an den isolierten Griffflächen, wenn die Gefahr besteht, dass das Schneidblatt verborgene Kabel kontaktiert.** Wenn Schneidblätter ein Strom führendes Kabel kontaktieren können die freiliegenden Metallteile des Werkzeugs ebenfalls Strom führend werden, so dass der Bediener einen elektrischen Schlag erleiden kann.
  21. **Starten Sie das Werkzeug nicht, wenn sich das Schneidwerkzeug in abgeschnittenem Gras verheddert hat.**
  22. **Vergewissern Sie sich vor dem Starten des Werkzeugs, dass das Schneidwerkzeug nicht den Boden oder andere Hindernisse, wie z. B. einen Baum, berührt.**
  23. **Halten Sie das Werkzeug während des Betriebs immer mit beiden Händen. Halten Sie das Werkzeug während der Benutzung niemals nur mit einer Hand.**
  24. **Benutzen Sie das Werkzeug nicht, wenn Blitzgefahr besteht.**
  25. **Wenn Sie das Werkzeug auf schlammigem Boden, auf einem nassen Hang oder an einem schlüpfrigen Ort benutzen, achten Sie auf Ihren Stand.**
  26. **Vermeiden Sie Arbeiten in ungünstiger Umgebung, wo mit erhöhter Benutzerermüdung zu rechnen ist.**
  27. **Benutzen Sie das Werkzeug nicht bei schlechtem Wetter, wo die Sichtverhältnisse eingeschränkt sind.** Anderenfalls kann es zu einem Sturz oder falschem Betrieb wegen schlechter Sichtverhältnisse kommen.
  28. **Tauchen Sie das Werkzeug nicht in einen Tümpel ein.**
  29. **Lassen Sie das Werkzeug bei Regen nicht unbeaufsichtigt im Freien stehen.**
  30. **Wenn nasse Blätter oder Schmutz aufgrund von Regen an der Saugöffnung (Belüftungsfenster) haften, entfernen Sie diese.**
  31. **Benutzen Sie das Werkzeug nicht im Schnee.**
- ## Schneidwerkzeuge
1. **Verwenden Sie kein Schneidwerkzeug, das nicht von Makita empfohlen wird.**
  2. **Verwenden Sie ein geeignetes Schneidwerkzeug für die anstehende Arbeit.**
    - Für das Schneiden von Rasengras sind Nylonfadenschnitten (Fadentrimmerköpfe) und Kunststoffmesser geeignet.
    - Schneidblätter eignen sich zum Schneiden von Unkraut, hohem Gras, Buschwerk, Gesträuch, Unterholz, Dickicht und dergleichen.
    - Verwenden Sie keinesfalls andere Schneidblätter, einschließlich mehrgliedriger Metall-Gelenkketten und Flegelblätter. Es könnte sonst zu ernsthaften Verletzungen kommen.
  3. **Verwenden Sie nur die Schneidwerkzeuge, die mit einer Drehzahl markiert sind, die der am Werkzeug angegebenen Drehzahl entspricht oder diese übertrifft.**
  4. **Halten Sie stets Ihre Hände, Gesicht und Kleidung vom rotierenden Schneidwerkzeug fern.** Anderenfalls kann es zu Personenschäden kommen.
  5. **Montieren Sie stets eine für das verwendete Schneidwerkzeug geeignete Schutzhaube.**
  6. **Wenn Sie Schneidblätter verwenden, vermeiden Sie Rückschlag, und machen Sie sich immer auf unvorhergesehene Rückschläge gefasst.** Siehe den Abschnitt über Rückschlag.
  7. **Schützen Sie das Schneidblatt bei Nichtgebrauch mit der Schneidblattabdeckung. Entfernen Sie die Abdeckung vor dem Betrieb.**
- ## Rückschlag (Schneidblattthieb)
1. **Rückschlag (Schneidblattthieb) ist eine plötzliche Reaktion auf ein hängen bleibendes oder klemmendes Schneidblatt. Derartige Rückschläge schleudern das Werkzeug mit großer Kraft seitwärts oder auf den Bediener zu und können ernsthafte Verletzungen verursachen.**
  2. **Rückschlag tritt vor allem auf, wenn das Schneidblattsegment zwischen der 12- und**

2-Uhr-Stellung an feste Gegenstände, Büsche und Bäume mit einem Durchmesser von 3 cm oder mehr angesetzt wird.

► Abb.2

3. So vermeiden Sie Rückschlag:
  1. Setzen Sie das Segment zwischen der 8- und 11-Uhr-Stellung an.
  2. Setzen Sie niemals das Segment zwischen der 12- und 2-Uhr-Stellung an.
  3. Setzen Sie niemals das Segment zwischen der 11- und 12-Uhr-Stellung sowie zwischen der 2- und 5-Uhr-Stellung an, es sei denn, der Bediener ist geschult und erfahren und führt die Arbeiten auf eigene Gefahr aus.
  4. Benutzen Sie Schneidblätter niemals in der Nähe von festen Objekten, wie z. B. Zäunen, Mauern, Baumstümpfen und Steinen.
  5. Benutzen Sie Schneidblätter niemals senkrecht für solche Arbeiten wie Kanten- und Heckenschneiden.

► Abb.3

## Vibrationen

1. Bei Personen mit Durchblutungsstörungen, die starken Schwingungen ausgesetzt werden, kann es zu einer Schädigung von Blutgefäßen oder des Nervensystems kommen. Folgende Symptome können durch Schwingungen an Fingern, Händen oder Handgelenken auftreten: „Einschlafen“ (Taubheit) von Körperteilen, Kribbeln, Schmerz, Stechen, Veränderung von Hautfarbe oder Haut. Falls eines dieser Symptome auftritt, suchen Sie einen Arzt auf!
2. Um die Gefahr von VVS (vibrationsbedingtes vasospastisches Syndrom) zu reduzieren, halten Sie Ihre Hände während der Arbeit warm, und sorgen Sie für gute Wartung von Werkzeug und Zubehör.

## Transport

1. Bevor Sie das Werkzeug transportieren, sollten Sie es ausschalten und die rückentragbare Akku-Bank vom Werkzeug trennen. Bringen Sie die Abdeckung am Schneidblatt an.
2. Wenn Sie das Werkzeug transportieren, tragen Sie es in waagerechter Stellung, indem Sie den Schaft halten.
3. Wenn Sie das Werkzeug in einem Fahrzeug transportieren, sichern Sie es ordnungsgemäß, um Überschlagen zu verhindern. Anderenfalls kann es zu Beschädigung des Werkzeugs und anderen Gepäcks kommen.

## Wartung

1. Lassen Sie Ihr Werkzeug von einem autorisierten Service-Center warten, und verwenden Sie immer nur Original-Ersatzteile. Falsche Reparatur und schlechte Wartung können die Lebensdauer des Werkzeugs verkürzen und die Unfallgefahr erhöhen.
2. Bevor Sie Wartungs- oder Reparaturarbeiten

durchführen oder das Werkzeug reinigen, sollten Sie es immer ausschalten und die rückentragbare Akku-Bank vom Werkzeug trennen.

3. Tragen Sie stets Schutzhandschuhe bei der Handhabung des Schneidblatts.
4. Säubern Sie das Werkzeug immer von Staub und Schmutz. Verwenden Sie auf keinen Fall Benzin, Waschbenzin, Verdünnern, Alkohol oder dergleichen zu diesem Zweck. Es kann sonst zu Verfärbung, Verformung oder Rissbildung der Kunststoffteile kommen.
5. Ziehen Sie alle Schrauben und Muttern nach jedem Gebrauch fest.
6. Versuchen Sie nicht, Wartungs- oder Reparaturarbeiten durchzuführen, die nicht in der Betriebsanleitung beschrieben sind. Überlassen Sie solche Arbeiten unserem autorisierten Service-Center.
7. Verwenden Sie immer nur unsere Original-Ersatz- und Zubehörteile. Die Verwendung von Ersatz- oder Zubehörteilen von Drittherstellern kann zu einem Ausfall des Werkzeugs, Sachschäden und/oder ernsthaften Verletzungen führen.
8. Lassen Sie das Werkzeug von unserem autorisierten Service-Center in regelmäßigen Abständen inspizieren und warten.
9. Halten Sie das Werkzeug stets in gutem Betriebszustand. Schlechte Wartung kann zu schlechter Leistung und einer Verkürzung der Nutzungsdauer des Werkzeugs führen.
10. Waschen Sie das Werkzeug nicht mit Hochdruck-Wasserstrahl.
11. Achten Sie beim Waschen des Werkzeugs darauf, dass kein Wasser in den elektrischen Mechanismus, wie z. B. Motor und Anschlüsse, eindringt.
12. Lagern Sie das Werkzeug nicht an einem Ort, der direktem Sonnenlicht und Regen ausgesetzt ist, sondern an einem Ort, an dem es nicht heiß oder feucht wird.
13. Führen Sie Inspektions- oder Wartungsarbeiten an einem Ort durch, wo Regen vermieden werden kann.
14. Nachdem Sie das Werkzeug benutzt haben, entfernen Sie den anhaftenden Schmutz, und lassen Sie das Werkzeug vor der Lagerung vollständig trocknen. Je nach Jahreszeit oder Gebiet besteht die Gefahr einer Funktionsstörung durch Gefrieren.
15. Halten Sie alle Kühlluftöffnungen frei von Unrat.

## Lagerung

1. Bevor Sie das Werkzeug lagern, führen Sie eine vollständige Reinigung und Wartung durch. Trennen Sie die rückentragbare Akku-Bank vom Werkzeug. Bringen Sie die Abdeckung am Schneidblatt an.
2. Lagern Sie das Werkzeug an einem trockenen und hohen oder abschließbaren Ort außer Reichweite von Kindern.
3. Lehnen Sie das Werkzeug nicht gegen eine Wand oder dergleichen. Anderenfalls kann es plötzlich umkippen und Verletzungen verursachen.

## Erste Hilfe

1. **Halten Sie stets einen Erste-Hilfe-Kasten in der Nähe bereit. Dem Erste-Hilfe-Kasten entnommenes Material ist sofort wieder aufzufüllen.**
2. **Wenn Sie Hilfe anfordern, machen Sie bitte folgende Angaben:**
  - Ort des Unfalls
  - Art des Unfalls
  - Zahl der Verletzten
  - Art der Verletzungen
  - Ihr Name

## Wichtige Sicherheitsanweisungen für Akku

1. **Lesen Sie vor der Benutzung des Akkus alle Anweisungen und Warnhinweise, die an (1) Ladegerät, (2) Akku und (3) Akkuwerkzeug angebracht sind.**
2. **Unterlassen Sie Zerlegen oder Manipulieren des Akkus.** Es kann sonst zu einem Brand, übermäßiger Hitzeentwicklung oder einer Explosion kommen.
3. **Falls die Betriebszeit beträchtlich kürzer geworden ist, stellen Sie den Betrieb sofort ein.** Anderenfalls besteht die Gefahr von Überhitzung, möglichen Verbrennungen und sogar einer Explosion.
4. **Falls Elektrolyt in Ihre Augen gelangt, waschen Sie sie mit sauberem Wasser aus, und begeben Sie sich unverzüglich in ärztliche Behandlung.** Anderenfalls können Sie Ihre Sehkraft verlieren.
5. **Der Akku darf nicht kurzgeschlossen werden:**
  - (1) **Die Kontakte dürfen nicht mit leitfähigem Material berührt werden.**
  - (2) **Lagern Sie den Akku nicht in einem Behälter zusammen mit anderen Metallgegenständen, wie z. B. Nägel, Münzen usw.**
  - (3) **Setzen Sie den Akku weder Wasser noch Regen aus.**

Ein Kurzschluss des Akkus verursacht starken Stromfluss, der Überhitzung, mögliche Verbrennungen und einen Defekt zur Folge haben kann.
6. **Lagern und benutzen Sie das Werkzeug und den Akku nicht an Orten, an denen die Temperatur 50 °C erreichen oder überschreiten kann.**
7. **Versuchen Sie niemals, den Akku zu verbrennen, selbst wenn er stark beschädigt oder vollkommen verbraucht ist.** Der Akku kann im Feuer explodieren.
8. **Unterlassen Sie Nageln, Schneiden, Zerquetschen, Werfen, Fallenlassen des Akkus oder Schlagen des Akkus mit einem harten Gegenstand.** Eine solche Handlung kann zu einem Brand, übermäßiger Hitzeentwicklung oder einer Explosion führen.
9. **Benutzen Sie keine beschädigten Akkus.**
10. **Die enthaltenen Lithium-Ionen-Akkus unterliegen den Anforderungen der**

## Gefahrgut-Gesetzgebung.

Für kommerzielle Transporte, z. B. durch Dritte oder Spediteure, müssen besondere Anforderungen zu Verpackung und Etikettierung beachtet werden.

Zur Vorbereitung des zu transportierenden Artikels ist eine Beratung durch einen Experten für Gefahrgut erforderlich. Bitte beachten Sie möglicherweise ausführlichere nationale Vorschriften. Überkleben oder verdecken Sie offene Kontakte, und verpacken Sie den Akku so, dass er sich in der Verpackung nicht umher bewegen kann.

11. **Entfernen Sie den Akku zum Entsorgen vom Werkzeug, und entsorgen Sie ihn an einem sicheren Ort. Befolgen Sie die örtlichen Vorschriften bezüglich der Entsorgung von Akkus.**
12. **Verwenden Sie die Akkus nur mit den von Makita angegebenen Produkten.** Das Einsetzen der Akkus in nicht konforme Produkte kann zu einem Brand, übermäßiger Hitzebildung, einer Explosion oder Auslaufen von Elektrolyt führen.
13. **Soll das Werkzeug längere Zeit nicht benutzt werden, muss der Akku vom Werkzeug entfernt werden.**
14. **Bei und nach dem Gebrauch kann der Akku heiß werden, was Verbrennungen oder Niedertemperaturverbrennungen verursachen kann.** Beachten Sie die Handhabung von heißen Akkus.
15. **Berühren Sie nicht den Anschlusskontakt des Werkzeugs unmittelbar nach dem Gebrauch, da er heiß genug werden kann, um Verbrennungen zu verursachen.**
16. **Achten Sie darauf, dass sich keine Späne, Staub oder Schmutz in den Anschlusskontakten, Löchern und Nuten des Akkus absetzen.** Es könnte sonst zu Erhitzung, Brandauslösung, Bersten und Funktionsstörungen des Werkzeugs oder des Akkus kommen, was zu Verbrennungen oder Personenschäden führen kann.
17. **Wenn das Werkzeug den Einsatz in der Nähe einer Hochspannungs-Stromleitung nicht unterstützt, benutzen Sie den Akku nicht in der Nähe einer Hochspannungs-Stromleitung.** Dies kann zu einer Funktionsstörung oder Betriebsstörung des Werkzeugs oder des Akkus führen.
18. **Halten Sie die Batterie von Kindern fern.**

## DIESE ANWEISUNGEN AUFBEWAHREN.

**▲VORSICHT:** Verwenden Sie nur Original-Makita-Akkus. Die Verwendung von Nicht-Original-Makita-Akkus oder von Akkus, die abgeändert worden sind, kann zum Bersten des Akkus und daraus resultierenden Bränden, Personenschäden und Beschädigung führen. Außerdem wird dadurch die Makita-Garantie für das Makita-Werkzeug und -Ladegerät ungültig.

## Hinweise zur Aufrechterhaltung der maximalen



## Akku-Nutzungsdauer

1. Laden Sie den Akku, bevor er vollkommen erschöpft ist. Schalten Sie das Werkzeug stets aus, und laden Sie den Akku, wenn Sie ein Nachlassen der Werkzeugeistung feststellen.
2. Unterlassen Sie erneutes Laden eines voll aufgeladenen Akkus. Überladen führt zu einer Verkürzung der Nutzungsdauer des Akkus.
3. Laden Sie den Akku bei Raumtemperatur zwischen 10 – 40 °C. Lassen Sie einen heißen Akku abkühlen, bevor Sie ihn laden.
4. Wenn Sie den Akku nicht benutzen, nehmen Sie ihn vom Werkzeug oder Ladegerät ab.
5. Der Akku muss geladen werden, wenn er lange Zeit (länger als sechs Monate) nicht benutzt wird.

## BEZEICHNUNG DER TEILE

► Abb.4

1	Drehzahlanzeige	2	ADT-Anzeige (ADT = Automatic Torque Drive Technology (Automatische Drehzahlregulierung))	3	Warnlampe	4	Hauptbetriebstaste
5	Drehrichtungs-Umkehrtaste	6	Stecker	7	Einschaltsperrhebel	8	Ein-Aus-Schalter
9	Aufhänger	10	Bügelgriff	11	Barriere	12	Knopf
13	Schutzhaube	14	Schutzhauben- erweiterung (für Nylonfadenkopf/ Kunststoffmesser)	15	Aufhängeband	-	-

## FUNKTIONSBE- SCHREIBUNG

**⚠️ WARNUNG:** Vergewissern Sie sich vor der Durchführung von Einstellungen oder Funktionsprüfungen des Werkzeugs stets, dass das Werkzeug ausgeschaltet und die rückentragbare Akku-Bank vom Werkzeug getrennt ist. Wird das Werkzeug nicht ausgeschaltet und von der rückentragbaren Akku-Bank getrennt, kann es zu schweren Verletzungen durch versehentliches Anlaufen kommen.

### Werkzeug/Akku-Schutzsystem

Das Werkzeug ist mit einem Werkzeug/Akku-Schutzsystem ausgestattet. Dieses System schaltet die Stromversorgung des Motors automatisch ab, um die Lebensdauer von Werkzeug und Akku zu verlängern. Das Werkzeug bleibt während des Betriebs automatisch stehen, wenn das Werkzeug einer der folgenden Bedingungen unterliegt:

Farbe	Warnlampe		Status
	● Ein	● Blinkend	
Grün		●	Überlastung
Rot	● (Werkzeug) / ● (Akku)		Überhitzung
Rot		●	Tiefentladung

### Überlastschutz

Falls das Werkzeug in eine der folgenden Situationen gerät, bleibt das Werkzeug automatisch stehen, und die Warnlampe beginnt in Grün zu blinken:

- Das Werkzeug wird durch verheddertes Unkraut oder anderen Unrat überlastet.
- Das Schneidwerkzeug ist blockiert oder hat einen Rückschlag bewirkt.
- Die Hauptbetriebstaste ist eingeschaltet, während der Auslöseschalter betätigt wird.

Lassen Sie in dieser Situation den Auslöseschalter los, und entfernen Sie gegebenenfalls verfangenes Unkraut oder Fremdkörper. Betätigen Sie danach wieder den Auslöseschalter, um fortzufahren.

**⚠️ VORSICHT:** Wenn Sie verheddertes Unkraut am Werkzeug entfernen oder das blockierte Schneidwerkzeug befreien müssen, schalten Sie unbedingt das Werkzeug aus, bevor Sie beginnen.

### Überhitzungsschutz für Werkzeug oder Akku

Wenn das Werkzeug oder der Akku überhitzt wird, bleibt das Werkzeug automatisch stehen. Wenn das Werkzeug überhitzt wird, leuchtet die Warnlampe in Rot auf. Wenn der Akku überhitzt wird, blinkt die Warnlampe in Rot. Lassen Sie das Werkzeug und/oder den Akku abkühlen, bevor Sie das Werkzeug wieder einschalten.

### Überentladungsschutz

Wenn die Akkukapazität niedrig wird, bleibt das Werkzeug automatisch stehen, und die Warnlampe beginnt in Rot zu blinken. Falls das Werkzeug trotz Betätigung der Schalter nicht

funktioniert, nehmen Sie den Akku vom Werkzeug ab, und laden Sie ihn auf.

## Hauptbetriebsschalter

Tippen Sie auf die Hauptbetriebstaste, um das Werkzeug einzuschalten.

Um das Werkzeug auszuschalten, halten Sie die Hauptbetriebstaste gedrückt, bis die Drehzahlanzeige erlischt.

► **Abb.5:** 1. Drehzahlanzeige 2. Hauptbetriebstaste

**HINWEIS:** Das Werkzeug schaltet sich automatisch aus, wenn es eine bestimmte Zeitlang ohne Bedienung bleibt.

## Schalterfunktion

**⚠️ WARNUNG:** Aus Sicherheitsgründen ist dieses Werkzeug mit einem Einschaltsperrhebel ausgestattet, der versehentliches Einschalten des Werkzeugs verhütet. Benutzen Sie das Werkzeug NIEMALS, wenn es durch einfache Betätigung des Auslöseschalters eingeschaltet werden kann, ohne den Einschaltsperrhebel zu drücken. Lassen Sie das Werkzeug von einem unserer autorisierten Service-Center ordnungsgemäß reparieren, BEVOR Sie es weiter benutzen.

**⚠️ WARNUNG:** Der Einschaltsperrhebel darf NIEMALS festgeklebt oder funktionsunfähig gemacht werden.

**⚠️ VORSICHT:** Vergewissern Sie sich vor dem Anschließen der rückentragbaren Akku-Bank an das Werkzeug stets, dass der Auslöseschalter einwandfrei funktioniert und bei Loslassen ordnungsgemäß auf die „AUS“-Stellung zurückkehrt. Der Betrieb eines Werkzeugs mit fehlerhaftem Schalter kann zum Verlust der Kontrolle und zu schweren Personenschäden führen.

**⚠️ VORSICHT:** Legen Sie beim Tragen des Werkzeugs niemals Ihren Finger auf die Hauptbetriebstaste und den Auslöseschalter. Anderenfalls kann das Werkzeug unbeabsichtigt anlaufen und Verletzungen verursachen.

**ANMERKUNG:** Betätigen Sie den Ein-Aus-Schalter nicht gewaltsam, ohne den Einschaltsperrhebel zu drücken. Dies kann zu Beschädigung des Schalters führen.

Um versehentliche Betätigung des Auslöseschalters zu verhüten, ist das Werkzeug mit einem Einschaltsperrhebel ausgestattet. Zum Starten des Werkzeugs drücken Sie erst den Einschaltsperrhebel und betätigen dann den Auslöseschalter. Die Drehzahl erhöht sich durch verstärkte Druckausübung auf den Auslöseschalter. Zum Anhalten lassen Sie den Auslöseschalter los.

### UR101C

► **Abb.6:** 1. Einschaltsperrhebel 2. Auslöseschalter










### UR201C

► **Abb.7:** 1. Einschaltsperrhebel 2. Auslöseschalter

## Drehzahleinstellung

Sie können die Werkzeugdrehzahl durch Antippen der Hauptbetriebstaste wählen. Mit jedem Antippen der Hauptbetriebstaste ändert sich die Drehzahlstufe. Das Werkzeug passt die Drehzahl automatisch an das angebrachte Schneidwerkzeug an.

► **Abb.8:** 1. Drehzahlanzeige 2. Hauptbetriebstaste

Drehzahl- anzeige	Betriebsart	Drehzahl	
		Schneidblatt Kunststoff- messer (305 mm)	Nylonfa- denkopf Kunststoff- messer (255 mm)
3  2  1 	Hoch	0 - 7.000 min <sup>-1</sup>	0 - 5.500 min <sup>-1</sup>
3  2  1 	Mittel	0 - 5.500 min <sup>-1</sup>	0 - 5.000 min <sup>-1</sup>
3  2  1 	Niedrig	0 - 4.600 min <sup>-1</sup>	0 - 4.600 min <sup>-1</sup>


## Automatische Drehzahlregelung

Wenn Sie die automatische Drehzahlregelung (ADT) einschalten, läuft das Werkzeug mit optimaler Drehzahl und optimalem Drehmoment für den Zustand des zu schneidenden Grases. Das Werkzeug erkennt automatisch das angebrachte Schneidwerkzeug und wählt eine geeignete Drehzahl.

Um die ADT-Funktion zu starten, halten Sie die Drehrichtungs-Umkehrtaste gedrückt, bis die ADT-Anzeige aufleuchtet.

Um die ADT-Funktion abzuschalten, halten Sie die Drehrichtungs-Umkehrtaste gedrückt, bis die ADT-Anzeige erlischt.

► **Abb.9:** 1. ADT-Anzeige  
2. Drehrichtungs-Umkehrtaste

Anzeige	Betriebsart	Schneid- werkzeug	Drehzahl
	ADT	Schneidblatt Kunststoff- messer (305 mm)	3.500 - 7.000 min <sup>-1</sup>
		Nylonfa- denkopf Kunststoff- messer (255 mm)	3.500 - 5.500 min <sup>-1</sup>

## Drehrichtungs-Umkehrtaste für Fremdkörperbeseitigung

**⚠️ WARNUNG:** Schalten Sie das Werkzeug aus, und trennen Sie die rückentragbare Akku-Bank vom Werkzeug, bevor Sie verheddertes Unkraut oder Fremdkörper entfernen, die durch die Drehrichtungs-Umkehrfunktion nicht beseitigt werden können. Anderenfalls kann es zu schweren Personenschäden durch versehentliches Anlaufen kommen.

Dieses Werkzeug besitzt eine Drehrichtungs-Umkehrtaste, mit der die Drehrichtung gewechselt werden kann. Sie ist nur zum Entfernen von Unkraut und Fremdkörpern vorgesehen, die sich im Werkzeug verfangen haben.

Um die Drehrichtung umzukehren, tippen Sie die Drehrichtungs-Umkehrtaste an, und betätigen Sie den Auslöseschalter, während Sie den Einschaltsperrhebel niederdrücken, wenn das Schneidwerkzeug still steht. Die Drehzahlanzeigen und die ADT-Anzeige beginnen zu blinken, und das Schneidwerkzeug dreht sich in umgekehrter Richtung, wenn Sie den Auslöseschalter betätigen.

Um wieder auf die normale Drehrichtung umzuschalten, lassen Sie den Auslöser los, und warten Sie, bis das Schneidwerkzeug zum Stillstand kommt.

- **Abb.10:** 1. Drehzahlanzeige 2. ADT-Anzeige  
3. Drehrichtungs-Umkehrtaste

**HINWEIS:** Das Werkzeug läuft nur für eine kurze Zeitspanne in umgekehrter Drehrichtung und bleibt dann automatisch stehen.

**HINWEIS:** Nachdem das Werkzeug zum Stillstand gekommen ist, läuft es wieder in der normalen Drehrichtung, wenn Sie es wieder in Betrieb nehmen.

**HINWEIS:** Wenn Sie die Drehrichtungs-Umkehrtaste antippen, während sich das Schneidwerkzeug noch dreht, kommt das Werkzeug zum Stillstand und ist dann für Rückwärtsdrehung bereit.

## Elektrische Bremse

Dieses Werkzeug ist mit einer elektrischen Bremse ausgestattet. Falls das Werkzeug nach dem Loslassen des Auslöseschalters ständig nicht sofort anhält, lassen Sie es von unserem Kundenzentrum warten.

**⚠️ VORSICHT:** Dieses Bremssystem ist kein Ersatz für die Schutzhaube. Benutzen Sie das Werkzeug niemals ohne die Schutzhaube. Ein ungeschütztes Schneidwerkzeug kann zu ernsthaften Personenschäden führen.

## Elektronikfunktion

### Konstantdrehzahlregelung

Die Drehzahlregelungsfunktion liefert eine konstante Drehzahl ungeachtet der Lastbedingungen.

## Soft-Start-Funktion

Diese Funktion gewährleistet ruckfreies Anlaufen durch Anlaufstoßunterdrückung.

## MONTAGE

**⚠️ WARNUNG:** Vergewissern Sie sich vor der Durchführung von Arbeiten am Werkzeug stets, dass das Werkzeug ausgeschaltet und die rückentragbare Akku-Bank vom Werkzeug getrennt ist. Wird das Werkzeug nicht ausgeschaltet und von der rückentragbaren Akku-Bank getrennt, kann es zu schweren Verletzungen durch versehentliches Anlaufen kommen.

**⚠️ WARNUNG:** Starten Sie das Werkzeug niemals, wenn es nicht vollständig zusammengebaut ist. Der Betrieb des unvollständig zusammengebauten Werkzeugs kann zu schweren Personenschäden durch versehentliches Anlaufen führen.

## Montieren der Griffstange

### Für UR101C

1. Führen Sie den Schaft der Griffstange in den Griff ein. Richten Sie die Schraubenbohrung im Griff auf die Bohrung im Schaft aus. Ziehen Sie die Schraube sicher fest.

- **Abb.11:** 1. Griff 2. Schraube 3. Schaft

**ANMERKUNG:** Beachten Sie die Richtung des Griffs. Die Schraubenlöcher decken sich nicht, wenn der Griff in der falschen Richtung eingeführt wird.

2. Setzen Sie die Feder auf die Basis.

- **Abb.12:** 1. Knopf 2. Griffstangenklemme  
3. Griffstange 4. Griffstangenhalter  
5. Feder 6. Basis

3. Platzieren Sie die Griffstange zwischen Griffstangenklemme und Griffstangenhalter.

4. Befestigen Sie die Griffstange provisorisch durch Anziehen des Knopfes, und stellen Sie die Position der Griffstange ein.

5. Ziehen Sie den Knopf vollständig an.

### Für UR201C

1. Bringen Sie die obere und untere Klemme am Dämpfer an.

2. Setzen Sie den Bügelgriff auf die obere Klemme, und befestigen Sie sie mit den Innensechskantschrauben, wie dargestellt.

- **Abb.13:** 1. Innensechskantschraube 2. Griffstange  
3. Obere Klemme 4. Dämpfer 5. Untere Klemme

## Anbringen der Barriere

### Nur für das Modell mit Bügelgriff (länderspezifisch)

Falls die Barriere im Lieferumfang Ihres Modells enthalten ist, befestigen Sie sie mit der an der Barriere angebrachten Schraube am Bügelgriff.

► **Abb.14:** 1. Barriere 2. Schraube

**⚠VORSICHT:** Die Barriere darf nach der Montage nicht entfernt werden. Die Barriere fungiert als Sicherheitsteil, um zu verhindern, dass Sie versehentlich mit dem Schneidblatt in Berührung kommen.

### Aufbewahrung des Inbusschlüssels

**⚠VORSICHT:** Vergessen Sie nicht, den Inbusschlüssel aus dem Werkzeugkopf herauszunehmen. Anderenfalls kann es zu Verletzungen und/oder Beschädigung des Werkzeugs kommen.

Bewahren Sie den Inbusschlüssel bei Nichtbenutzung an der abgebildeten Stelle auf, damit er nicht verloren geht.

► **Abb.15:** 1. Inbusschlüssel

Beim Modell mit Doppelgriffstange kann der Inbusschlüssel auch an der Griffstangenklemme aufbewahrt werden, wie dargestellt.

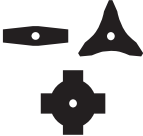

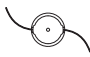


► **Abb.16:** 1. Inbusschlüssel 2. Griffstangenklemme

Beim Modell mit Bügelgriff kann der Inbusschlüssel auch am Handgriff aufbewahrt werden, wie dargestellt.

► **Abb.17:** 1. Inbusschlüssel

### Korrekte Kombination von Schneidwerkzeug und Schutzhaube

**⚠VORSICHT:** Verwenden Sie stets die korrekte Kombination von Schneidwerkzeug und Schutzhaube. Eine falsche Kombination schützt Sie möglicherweise nicht vor dem Schneidwerkzeug, hochgeschleudertem Unrat und Steinen. Sie kann auch die Balance des Werkzeugs beeinflussen und zu einer Verletzung führen.

Schneidwerkzeug	Schutzhaube
<p>Schneidblatt (2-Zahn-, 3-Zahn-, 4-Zahn-Schneidblatt)</p> 	
<p>Nylonfadenkopf</p> 	
<p>Kunststoffmesser</p> 	

### Montieren der Schutzhaube

**⚠WARNUNG:** Benutzen Sie das Werkzeug niemals ohne die Schutzhaube oder mit unsachgemäß montierter Schutzhaube. Anderenfalls kann es zu schweren Personenschäden kommen.

**HINWEIS:** Der Typ der als Standardzubehör mitgelieferten Schutzhaube ist je nach Land unterschiedlich.

### Für Schneidblatt

Befestigen Sie die Schutzhaube mit Schrauben an der Klemme.

► **Abb.18:** 1. Klemme 2. Schutzhaube

### Für Nylonfadenkopf/ Kunststoffmesser

**⚠VORSICHT:** Achten Sie darauf, dass Sie sich beim Abschneiden des Nylonfadens nicht am Absneider verletzen.

Befestigen Sie die Schutzhaube mit Schrauben an der Klemme. Montieren Sie danach die Schutzhaubenerweiterung. Führen Sie die Schutzhaubenerweiterung in die Schutzhaube ein, und rasten Sie dann die Klammern ein. Vergewissern Sie sich, dass die Laschen an der Schutzhaubenerweiterung in den Schlitzern der Schutzhaube sitzen.

► **Abb.19:** 1. Schutzhaube 2. Klammer  
3. Schutzhaubenerweiterung  
4. Schneidglied 5. Schlitz 6. Lasche

Um die Schutzhaubenerweiterung von der Schutzhaube zu entfernen, rasten Sie die Klammern aus, indem Sie den Inbusschlüssel einführen, wie dargestellt.

► **Abb.20:** 1. Inbusschlüssel 2. Klammer

### Montieren des Schneidwerkzeugs

**⚠VORSICHT:** Verwenden Sie zum Demontieren oder Montieren des Schneidwerkzeugs immer die mitgelieferten Schraubenschlüssel.

**⚠VORSICHT:** Denken Sie unbedingt daran, den in den Werkzeugkopf eingeführten Inbusschlüssel nach dem Montieren des Schneidwerkzeugs wieder zu entfernen.

**HINWEIS:** Der Typ der als Standardzubehör mitgelieferten Schneidwerkzeuge ist je nach Land unterschiedlich. In manchen Ländern ist kein Schneidwerkzeug im Lieferumfang enthalten.

**HINWEIS:** Drehen Sie das Werkzeug um, damit Sie das Schneidwerkzeug leicht auswechseln können.

## Schneidblatt

**⚠ VORSICHT:** Tragen Sie zum Anfassen eines Schneidblatts immer Handschuhe, und setzen Sie die Schneidblattabdeckung auf das Schneidblatt.

**⚠ VORSICHT:** Das Schneidblatt muss gut geschliffen sein und darf keine Risse oder Brüche aufweisen. Falls das Schneidblatt während des Betriebs gegen einen Stein stößt, halten Sie das Werkzeug an, und überprüfen Sie das Schneidblatt sofort.

**⚠ VORSICHT:** Verwenden Sie stets das Schneidblatt, dessen Durchmesser im Abschnitt für die technischen Daten beschrieben ist.

1. Decken Sie das Schneidblatt mit der Schneidblattabdeckung ab.

### 2-Zahn-Schneidblatt

► **Abb.21**

### 3-Zahn-Schneidblatt

► **Abb.22**

### 4-Zahn-Schneidblatt

► **Abb.23**

2. Führen Sie den Inbusschlüssel durch die Öffnung im Antriebsgehäuse ein, um die Spindel zu verriegeln. Drehen Sie die Spindel, bis der Inbusschlüssel vollständig eingeführt ist.

► **Abb.24:** 1. Mutter 2. Manschette 3. Klemmscheibe  
4. Schneidblatt 5. Spindel  
6. Aufnahmescheibe 7. Inbusschlüssel

3. Montieren Sie das Schneidblatt an der Aufnahmescheibe, so dass die Pfeile auf Schneidblatt und Schutzhaube in die gleiche Richtung zeigen.

► **Abb.25:** 1. Pfeil

4. Setzen Sie die Klemmscheibe und die Manschette auf das Schneidblatt, und ziehen Sie dann die Mutter mit dem Ringschlüssel sicher fest.

► **Abb.26:** 1. Ringschlüssel 2. Inbusschlüssel  
3. Lösen 4. Anziehen

**HINWEIS:** Anzugsmoment: 20 - 30 N\*m

5. Entfernen Sie den Inbusschlüssel vom Antriebsgehäuse.

Zum Demontieren des Schneidblatts ist das Montageverfahren umgekehrt anzuwenden.

## Nylonfadenkopf

**ANMERKUNG:** Verwenden Sie unbedingt den Original-Nylonfadenkopf von Makita.

Der Nylonfadenkopf ist in zwei Ausführungen erhältlich: Stoßvorschub-Ausführung und Manuellvorschub-Ausführung.

### Stoßvorschub-Ausführung

► **Abb.27:** 1. Nylonfadenkopf 2. Spindel  
3. Inbusschlüssel 4. Lösen 5. Anziehen

1. Führen Sie den Inbusschlüssel durch die Öffnung im Antriebsgehäuse ein, um die Spindel zu verriegeln. Drehen Sie die Spindel, bis der Inbusschlüssel

vollständig eingeführt ist.

2. Setzen Sie den Nylonfadenkopf auf die Spindel, und ziehen Sie ihn von Hand sicher fest.

3. Entfernen Sie den Inbusschlüssel vom Antriebsgehäuse.

Zum Demontieren des Nylonfadenkopfes ist das Montageverfahren umgekehrt anzuwenden.

### Manuellvorschub-Ausführung

► **Abb.28:** 1. Mutter 2. Nylonfadenkopf 3. Spindel  
4. Inbusschlüssel

1. Führen Sie den Inbusschlüssel durch die Öffnung im Antriebsgehäuse ein, um die Spindel zu verriegeln. Drehen Sie die Spindel, bis der Inbusschlüssel vollständig eingeführt ist.

2. Setzen Sie den Nylonfadenkopf auf die Spindel, und ziehen Sie die Mutter mit dem Ringschlüssel sicher fest.

► **Abb.29:** 1. Ringschlüssel 2. Inbusschlüssel  
3. Lösen 4. Anziehen

3. Entfernen Sie den Inbusschlüssel vom Antriebsgehäuse.

Zum Demontieren des Nylonfadenkopfes ist das Montageverfahren umgekehrt anzuwenden.

## Kunststoffmesser

**ANMERKUNG:** Verwenden Sie unbedingt ein Original-Makita-Kunststoffmesser.

► **Abb.30:** 1. Kunststoffmesser 2. Spindel  
3. Inbusschlüssel 4. Lösen 5. Anziehen

1. Führen Sie den Inbusschlüssel durch die Öffnung im Antriebsgehäuse ein, um die Spindel zu verriegeln. Drehen Sie die Spindel, bis der Inbusschlüssel vollständig eingeführt ist.

2. Setzen Sie das Kunststoffmesser auf die Spindel, und ziehen Sie es von Hand sicher fest.

3. Entfernen Sie den Inbusschlüssel vom Antriebsgehäuse.

Zum Entfernen des Kunststoffmessers wenden Sie das Montageverfahren umgekehrt an.

# BETRIEB

## Einstellen der Arbeitsposition

**⚠ VORSICHT:** Bevor Sie dieses Verfahren durchführen, sollten Sie den Akku (die Akkus) an der rückentragbaren Akku-Bank anbringen und die Einstellungen für Hüftriemen und Schultergurt beenden. Einzelheiten entnehmen Sie bitte der Gebrauchsanleitung der rückentragbaren Akku-Bank.

**⚠ VORSICHT:** Um unbeabsichtigtes Anlaufen zu verhindern, schalten Sie während des ganzen Verfahrens auf keinen Fall die rückentragbare Akku-Bank ein. Der Akku (Die Akkus) ist (sind) nur zu installieren, um die Nutzbarkeit mit der tatsächlichen Gewichtsverteilung zu erhalten.

**⚠ VORSICHT:** Wenn Sie das Werkzeug in Kombination mit einer rucksackartigen Stromquelle, wie z. B. der rückentragbaren Akku-Bank, betreiben, verwenden Sie das im Werkzeugpaket enthaltene oder das von Makita empfohlene Aufhängeband.

Falls Sie einen nicht von Makita empfohlenen Schultergurt und den Schultergurt der rucksackartigen Stromquelle gleichzeitig anlegen, ist das Ablegen des Werkzeugs oder der rucksackartigen Stromquelle in einem Notfall schwierig, und es kann zu einem Unfall oder zu Verletzungen kommen. Wenden Sie sich für das empfohlene Aufhängeband an ein autorisiertes Makita-Servicecenter.

1. Ziehen Sie das Kabel von der rechten Seite der rückentragbaren Akku-Bank heraus. Führen Sie das Kabel beim Herausziehen unbedingt in die Halter ein, wie in der Abbildung gezeigt.

► **Abb.31:** 1. Kabel 2. Halter

2. Befestigen Sie die Haken des Aufhängebands an den Ringen der Schulterriemen oder des Hüftgurts, wie in der Abbildung gezeigt.

**Anbringen des Aufhängebands am Schulterriemen**

► **Abb.32:** 1. Aufhängeband 2. Ring 3. Haken

**Anbringen des Aufhängebands an Schulterriemen und Hüftriemen**

► **Abb.33:** 1. Aufhängeband 2. Ring 3. Haken

3. Legen Sie den Schultergurt der rückentragbaren Akku-Bank an, und rasten Sie die Schnalle am Hüftriemen ein.

► **Abb.34**

Stellen Sie die Länge des Aufhängebands nach Bedarf ein.

► **Abb.35**

4. Befestigen Sie das Werkzeug mit Hilfe der Haken des Aufhängebands am Schultergurt. Hängen Sie unbedingt den Aufhänger des Werkzeugs ein.

**UR101C**

► **Abb.36:** 1. Haken 2. Aufhänger

**UR201C**

► **Abb.37:** 1. Haken 2. Aufhänger

5. Führen Sie den Stecker des Werkzeugs in die Buchse der rückentragbaren Akku-Bank ein.

Achten Sie beim Einführen darauf, dass die Dreiecksmarkierungen an Stecker und Buchse aufeinander ausgerichtet sind.

**UR101C**

► **Abb.38:** 1. Stecker 2. Buchse  
3. Dreiecksmarkierung

**UR201C**

► **Abb.39:** 1. Stecker 2. Buchse  
3. Dreiecksmarkierung

6. Stellen Sie die Kabellänge mit Hilfe des Halters nach Bedarf ein.

► **Abb.40:** 1. Halter

Die Kabellänge ist korrekt eingestellt, wenn Folgendes möglich ist:

— Schwenken des Werkzeugs ohne Behinderung durch das Kabel;

— Schwenken des Werkzeugs, ohne das Kabel umherbaumeln zu lassen, und;

— Trennen des Steckers von der Buchse, ohne den Schultergurt der rückentragbaren Akku-Bank abzunehmen.

**⚠ VORSICHT:** Geben Sie dem Kabel angemessenes Spiel zwischen dem Werkzeug und der rückentragbaren Akku-Bank. Bei zu geringem Spiel kann die Bewegung des Werkzeugs eingeschränkt sein. Bei zu viel Spiel kann sich das Kabel an einem anderen Objekt verfangen und einen Unfall verursachen.

## Einstellen der Position des Aufhängers

**Nur für UR101C**

Für eine bequemere Handhabung des Werkzeugs können Sie die Position des Aufhängers ändern.

1. Lösen Sie die Schraube am Aufhänger, und schieben Sie den Aufhänger auf eine bequeme Arbeitsposition.

► **Abb.41:** 1. Aufhänger 2. Schraube 3. Kabel

**ANMERKUNG:** Wenn Sie die Aufhängerposition einstellen, sollten Sie auch die Kabelposition einstellen.

2. Stellen Sie die Aufhängerposition so ein, wie in der Abbildung gezeigt, und ziehen Sie dann die Schraube fest.

► **Abb.42**

1	Position des Aufhängers über dem Boden
2	Position des Schneidwerkzeugs über dem Boden
3	Horizontaler Abstand zwischen dem Aufhänger und dem ungeschützten Teil des Schneidwerkzeugs

## Starten des Betriebs

**⚠ VORSICHT:** Beenden Sie vor Betriebsbeginn die Einstellung der Arbeitsposition, indem Sie den Anweisungen in dem Abschnitt für die Arbeitsposition folgen.

**⚠ VORSICHT:** Vergewissern Sie sich vor Betriebsbeginn, dass die Schnallen am Hüftriemen eingerastet sind, und dass das Werkzeug sicher am Haken des Aufhängebands befestigt ist.

**⚠ VORSICHT:** Schalten Sie das Werkzeug immer erst unmittelbar vor dem Schneiden von Gras durch Drücken der Hauptbetriebstaste ein. Anderenfalls kann es zu Personenschäden durch unbeabsichtigtes Anlaufen kommen.

1. Setzen Sie den Akku (die Akkus) in die rückentragbare Akku-Bank ein.

► **Abb.43:** 1. Rückentragbare Akku-Bank 2. Akku

**HINWEIS:** Angaben zum Einsetzen der Akkus entnehmen Sie bitte der Gebrauchsanleitung Ihrer rückentragbaren Akku-Bank.

2. Drücken Sie die Ein-Aus-Taste an der rückentragbaren Akku-Bank. Die Hauptbetriebslampe leuchtet auf.

► **Abb.44:** 1. Hauptbetriebslampe 2. Ein-Aus-Taste

3. Legen Sie den Schultergurt der rückentragbaren Akku-Bank an, und rasten Sie die Schnalle am Hüftriemen ein.

► **Abb.45**

4. Befestigen Sie das Werkzeug mit Hilfe der Haken des Aufhängebands am Schultergurt. Hängen Sie unbedingt den Aufhänger des Werkzeugs ein.

**UR101C**

► **Abb.46:** 1. Haken 2. Aufhänger

**UR201C**

► **Abb.47:** 1. Haken 2. Aufhänger

5. Führen Sie den Stecker des Werkzeugs in die Buchse der rückentragbaren Akku-Bank ein.

Achten Sie beim Einführen darauf, dass die Dreiecksmarkierungen an Stecker und Buchse aufeinander ausgerichtet sind.

**UR101C**

► **Abb.48:** 1. Stecker 2. Buchse  
3. Dreiecksmarkierung

**UR201C**

► **Abb.49:** 1. Stecker 2. Buchse  
3. Dreiecksmarkierung

6. Tippen Sie auf die Hauptbetriebstaste, um das Werkzeug einzuschalten.

Das Werkzeug ist betriebsbereit. Das Werkzeug läuft, wenn Sie den Auslöseschalter betätigen.

► **Abb.50:** 1. Hauptbetriebstaste

**⚠ VORSICHT:** Um den Betrieb zu unterbrechen, schalten Sie immer das Werkzeug aus, und ziehen Sie den Stecker von der Buchse ab. Anderenfalls kann es zu Personenschäden durch unbeabsichtigtes Anlaufen kommen.

Um den Betrieb zu beenden, halten Sie die Hauptbetriebstaste gedrückt, bis die Drehzahlanzeige erlischt, und führen Sie dann das obige Verfahren umgekehrt durch.

## Korrekte Handhabung des Werkzeugs

**⚠ WARNUNG:** Halten Sie das Werkzeug immer auf Ihrer rechten Seite. Korrekte Haltung des Werkzeugs gewährleistet maximale Kontrolle und verringert die Gefahr von durch Rückstoß verursachten schweren Personenschäden.

**⚠ WARNUNG:** Lassen Sie äußerste Sorgfalt walten, um immer die Kontrolle über das Werkzeug zu behalten. Achten Sie darauf, dass das Werkzeug nicht zu Ihnen oder einer anderen Person im Arbeitsbereich abgelenkt wird. Verlust der Kontrolle über das Werkzeug kann zu schweren Verletzungen von Umstehenden und Bediener führen.

**⚠ WARNUNG:** Um einen Unfall zu vermeiden, halten Sie einen Abstand von mehr als 15 m zwischen Arbeitern ein, wenn zwei oder mehr Arbeiter im selben Bereich arbeiten. Beauftragen Sie außerdem eine Person, den Abstand zwischen den Arbeitern zu beobachten. Falls eine Person oder ein Tier in den Arbeitsbereich eintritt, brechen Sie sofort die Arbeit ab.

**⚠ VORSICHT:** Falls das Schneidwerkzeug während des Betriebs versehentlich gegen einen Stein oder ein hartes Objekt stößt, halten Sie das Werkzeug an, und überprüfen Sie es auf etwaige Beschädigung. Falls das Schneidwerkzeug beschädigt wird, ist es sofort auszuwechseln. Die Verwendung eines beschädigten Schneidwerkzeugs kann zu schweren Personenschäden führen.

**⚠ VORSICHT:** Entfernen Sie die Schneidblattabdeckung beim Schneiden von Gras vom Schneidblatt.

Korrekte Positionierung und Handhabung ermöglichen optimale Kontrolle und verringern die durch Rückschlag verursachte Verletzungsgefahr.

**UR101C**

► **Abb.51**

**UR201C**

► **Abb.52**

**Bei Verwendung eines Nylonfadenkopfes (Stoßvorschub-Ausführung)**

Der Nylonfadenkopf ist ein doppelter Fadentrimmerkopf mit Stoßvorschub-Mechanismus.

Um den Nylonfaden auszuziehen, klopfen Sie den Schneidkopf gegen den Boden auf, während er sich dreht.

► **Abb.53:** 1. Effektivster Schneidbereich

**ANMERKUNG:** Der Stoßvorschub funktioniert nicht richtig, wenn sich der Nylonfadenkopf nicht dreht.

**HINWEIS:** Wird der Nylonfaden nicht durch Anklopfen des Kopfes ausgezogen, wickeln Sie den Nylonfaden auf, oder ersetzen Sie ihn nach dem im Abschnitt für die Wartung beschriebenen Verfahren.

## Loslösung im Notfall

**⚠ VORSICHT:** Achten Sie im Falle einer Loslösung im Notfall besonders auf die Position des rotierenden Schneidwerkzeugs.

Lösen Sie das Werkzeug im Notfall auf eine der nachstehend beschriebenen Weisen los:

Entriegeln Sie die Schnalle am Hüftriemen, und nehmen Sie den mit dem Werkzeug verbundenen Schultergurt der rückentragbaren Akku-Bank ab.  
▶ **Abb.54:** 1. Schnalle

Entriegeln Sie die Schnalle am Aufhängeband, und lösen Sie das Werkzeug. Das Kabel wird durch das Gewicht des Werkzeugs getrennt.

▶ **Abb.55:** 1. Schnalle

## WARTUNG

**⚠ WARNUNG:** Vergewissern Sie sich stets, dass das Werkzeug ausgeschaltet und die rückentragbare Akku-Bank vom Werkzeug getrennt ist, bevor Sie sich anschicken, Inspektions- oder Wartungsarbeiten am Werkzeug durchzuführen. Wird das Werkzeug nicht ausgeschaltet und von der rückentragbaren Akku-Bank getrennt, kann es zu schweren Verletzungen durch versehentliches Anlaufen kommen.

**ANMERKUNG:** Verwenden Sie auf keinen Fall Benzin, Waschbenzin, Verdünnern, Alkohol oder dergleichen. Solche Mittel können Verfärbung, Verformung oder Rissbildung verursachen.

Um die SICHERHEIT und ZUVERLÄSSIGKEIT dieses Produkts zu gewährleisten, sollten Reparaturen und andere Wartungs- oder Einstellarbeiten nur von Makita-Vertragswerkstätten oder Makita-Kundendienstzentren unter ausschließlicher Verwendung von Makita-Originalersatzteilen ausgeführt werden.

## Reinigen des Werkzeugs

Reinigen Sie das Werkzeug, indem Sie Staub, Schmutz oder Grasreste mit einem trockenen oder in Seifenwasser getauchten und ausgewringenen Tuch abwischen. Um Überhitzung des Werkzeugs zu vermeiden, entfernen Sie unbedingt das abgeschnittene Gras oder an der Lüftungsöffnung des Werkzeugs haftenden Unrat.

## Auswechseln des Nylonfadens

**⚠ WARNUNG:** Verwenden Sie nur Nylonfaden mit dem in dieser Betriebsanleitung angegebenen Durchmesser. Verwenden Sie keinesfalls eine schwerere Schnur, einen Metalldraht, ein Seil oder dergleichen. Anderenfalls kann es zu einer Beschädigung des Werkzeugs mit daraus resultierenden schweren Personenschäden kommen.

**⚠ WARNUNG:** Nehmen Sie immer den Nylonfadenkopf vom Werkzeug ab, wenn Sie den Nylonfaden austauschen.

**⚠ WARNUNG:** Vergewissern Sie sich, dass die Abdeckung des Nylonfadenkopfes ordnungsgemäß am Gehäuse gesichert ist, wie in dieser Betriebsanleitung beschrieben. Bei unsachgemäß gesicherter Abdeckung kann der Nylonfadenkopf auseinander fliegen und schwere Personenschäden verursachen.

Ersetzen Sie den Nylonfaden, falls er nicht mehr vorgeschoben wird. Das Austauschverfahren des Nylonfadens hängt von dem Typ des Nylonfadenkopfes ab.

### 95-M10L

▶ **Abb.56**

### 96-M10L

▶ **Abb.57**

### 98-M10L

▶ **Abb.58**

### B&F ECO 4L

▶ **Abb.59**

### UN-74L, UN-72L

▶ **Abb.60**

## Manuellvorschub-Ausführung

Wenn der Nylonfaden kurz wird, ziehen Sie ihn aus der Fadenführung heraus, und fädeln Sie ihn in eine andere Fadenführung ein.

▶ **Abb.61**

## Austauschen des Kunststoffmessers

Tauschen Sie das Kunststoffmesser aus, wenn es abgenutzt oder beschädigt ist.

▶ **Abb.62**

Wenn Sie das Kunststoffmesser montieren, richten Sie den Pfeil auf dem Messer auf den der Schutzhaube aus.

▶ **Abb.63:** 1. Pfeil auf der Schutzhaube 2. Pfeil auf dem Messer



# FEHLERSUCHE

Bevor Sie den Reparaturdienst anrufen, führen Sie zunächst Ihre eigene Inspektion durch. Falls Sie ein Problem finden, das nicht in der Anleitung erläutert wird, versuchen Sie nicht, das Werkzeug zu zerlegen. Wenden Sie sich stattdessen an autorisierte Makita-Kundendienstzentren, und achten Sie darauf, dass stets Makita-Ersatzteile für Reparaturen verwendet werden.

Zustand der Unregelmäßigkeit	Wahrscheinliche Ursache (Funktionsstörung)	Abhilfemaßnahme
Der Motor läuft nicht.	Der Akku ist nicht eingesetzt.	Den Akku einsetzen.
	Akkustörung (Unterspannung)	Laden Sie den Akku auf. Falls Laden unwirksam ist, tauschen Sie den Akku aus.
	Das Antriebssystem funktioniert nicht korrekt.	Wenden Sie sich bezüglich einer Reparatur an Ihr autorisiertes Kundendienstzentrum.
Der Motor bleibt nach kurzer Zeit stehen.	Der Ladestand des Akkus ist niedrig.	Laden Sie den Akku auf. Falls Laden unwirksam ist, tauschen Sie den Akku aus.
	Überhitzung.	Brechen Sie die Benutzung des Werkzeugs ab, um es abkühlen zu lassen.
Das Werkzeug erreicht nicht die Maximaldrehzahl.	Der Akku ist falsch eingesetzt.	Setzen Sie den Akku gemäß der Beschreibung in dieser Anleitung ein.
	Die Akkuleistung lässt nach.	Laden Sie den Akku auf. Falls Laden unwirksam ist, tauschen Sie den Akku aus.
	Das Antriebssystem funktioniert nicht korrekt.	Wenden Sie sich bezüglich einer Reparatur an Ihr autorisiertes Kundendienstzentrum.
Das Schneidwerkzeug dreht sich nicht: ⇒ Die Maschine unverzüglich stoppen!	Ein Fremdkörper, wie z. B. ein Ast, klemmt zwischen Schutzhaube und Schneidwerkzeug.	Entfernen Sie den Fremdkörper.
	Das Schneidwerkzeug ist locker angebracht.	Ziehen Sie das Schneidwerkzeug sicher fest.
	Das Antriebssystem funktioniert nicht korrekt.	Wenden Sie sich bezüglich einer Reparatur an Ihr autorisiertes Kundendienstzentrum.
Ungewöhnliche Vibration: ⇒ Die Maschine unverzüglich stoppen!	Schneidwerkzeug gebrochen, verbogen oder abgenutzt	Tauschen Sie das Schneidwerkzeug aus.
	Das Schneidwerkzeug ist locker angebracht.	Ziehen Sie das Schneidwerkzeug sicher fest.
	Das Antriebssystem funktioniert nicht korrekt.	Wenden Sie sich bezüglich einer Reparatur an Ihr autorisiertes Kundendienstzentrum.
Schneidwerkzeug und Motor bleiben nicht stehen: ⇒ Trennen Sie die rückentragbare Akku-Bank sofort vom Werkzeug!	Funktionsstörung der Elektrik oder Elektronik.	Trennen Sie die rückentragbare Akku-Bank vom Werkzeug, und wenden Sie sich bezüglich einer Reparatur an Ihr autorisiertes Service-Center vor Ort.

## SONDERZUBEHÖR

**⚠️ WARNUNG:** Verwenden Sie nur die in dieser Anleitung angegebenen empfohlenen Zubehörteile oder Vorrichtungen. Der Gebrauch anderer Zubehörteile oder Vorrichtungen kann zu ernsthaften Personenschäden führen.

**⚠️ VORSICHT:** Die folgenden Zubehörteile oder Vorrichtungen werden für den Einsatz mit dem in dieser Anleitung beschriebenen Makita-Werkzeug empfohlen. Die Verwendung anderer Zubehörteile oder Vorrichtungen kann eine Verletzungsgefahr darstellen. Verwenden Sie Zubehörteile oder Vorrichtungen nur für ihren vorgesehenen Zweck.

- Schneidblatt
- Nylonfadenkopf
- Nylonfaden (Schneidfaden)
- Kunststoffmesser
- Schutzhaube
- Original-Makita-Akku und -Ladegerät

**HINWEIS:** Manche Teile in der Liste können als Standardzubehör im Werkzeugsatz enthalten sein. Sie können von Land zu Land unterschiedlich sein.

Wenn Sie weitere Einzelheiten bezüglich dieser Zubehörteile benötigen, wenden Sie sich bitte an Ihre Makita-Kundendienststelle.

## DATI TECNICI

Modello:		UR101C	UR201C
Tipo di maniglia		Maniglia a manubrio	Maniglia ad anello
Velocità a vuoto (a ciascun livello di velocità di rotazione)	Lama da taglio Lama di plastica (305 mm)	3: 0 - 7.000 min <sup>-1</sup> 2: 0 - 5.500 min <sup>-1</sup> 1: 0 - 4.600 min <sup>-1</sup>	
	Testina da taglio in nylon Lama di plastica (255 mm)	3: 0 - 5.500 min <sup>-1</sup> 2: 0 - 5.000 min <sup>-1</sup> 1: 0 - 4.600 min <sup>-1</sup>	
Lunghezza complessiva (utensile da taglio escluso)		1.760 mm	1.795 mm
Diametro filo di nylon		2,4 mm	
Utensile da taglio applicabile e diametro di taglio	Lama a 2 denti (N/P 198345-9)	255 mm	
	Lama a 3 denti (N/P 195299-1)	255 mm	
	Lama a 4 denti (N/P 196895-8)	255 mm	
	Testina da taglio in nylon (N/P 197993-1 / 191D90-9 / 1915D7-6)	430 mm	
	Lama di plastica (N/P 198383-1) (N/P 199868-0)	255 mm 305 mm	
Tensione nominale		36 V - 40 V CC max	
Peso netto		5,2 kg	4,7 kg
Grado di protezione		IPX4	

- A causa del nostro programma continuativo di ricerca e sviluppo, i dati tecnici sono soggetti a modifiche senza preavviso.
- I dati tecnici possono variare da nazione a nazione.
- Peso in base alla procedura EPTA 01/2014

### Fonte di alimentazione collegata via cavo consigliata

Gruppo di alimentazione portatile	PDC01 / PDC1200 / PDC1500
-----------------------------------	---------------------------

- La fonte o le fonti di alimentazione collegate via cavo elencate sopra potrebbero non essere disponibili, a seconda della propria area geografica di residenza.
- Prima di utilizzare la fonte di alimentazione collegata via cavo, leggere le istruzioni e le indicazioni delle avvertenze riportate su quest'ultima.

## Rumorosità

### Modello UR101C

Utensile da taglio	Livello di pressione sonora (L <sub>pa</sub> ) dB(A)		Livello di potenza sonora (L <sub>wa</sub> ) dB(A)		Standard applicabile
	(L <sub>pa</sub> ) dB(A)	Incertezza (K) dB(A)	(L <sub>wa</sub> ) dB (A)	Incertezza (K) dB(A)	
Lama a 2 denti	81,7	0,5	93,9	0,8	ISO22868(ISO11806-1)
Lama a 4 denti	83,0	0,3	97,6	0,2	ISO22868(ISO11806-1)
Testina da taglio in nylon	80,0	0,9	91,8	1,0	ISO22868(ISO11806-1)/ EN50636-2-91
Lama di plastica	78,0	1,0	87,4	0,7	ISO22868(ISO11806-1)/ EN50636-2-91

### Modello UR201C

Utensile da taglio	Livello di pressione sonora ( $L_{pA}$ ) dB(A)		Livello di potenza sonora ( $L_{WA}$ ) dB(A)		Standard applicabile
	( $L_{pA}$ ) dB(A)	Incertezza (K) dB(A)	( $L_{WA}$ ) dB (A)	Incertezza (K) dB(A)	
Lama a 2 denti	81,7	0,5	93,9	0,8	ISO22868(ISO11806-1)
Lama a 4 denti	83,0	0,3	97,6	0,2	ISO22868(ISO11806-1)
Testina da taglio in nylon	80,0	0,9	91,8	1,0	ISO22868(ISO11806-1)/ EN50636-2-91
Lama di plastica	78,0	1,0	87,4	0,7	ISO22868(ISO11806-1)/ EN50636-2-91

- Anche se il livello di pressione sonora indicato sopra è di 80 dB (A) o inferiore, il livello acustico in condizioni di lavoro potrebbe superare gli 80 dB (A). Indossare protezioni acustiche.

**NOTA:** Il valore o i valori dichiarati delle emissioni di rumori sono stati misurati in conformità a un metodo standard di verifica, e possono essere utilizzati per confrontare un utensile con un altro.

**NOTA:** Il valore o i valori dichiarati delle emissioni di rumori possono venire utilizzati anche per una valutazione preliminare dell'esposizione.

**AVVERTIMENTO:** Indossare protezioni per le orecchie.

**AVVERTIMENTO:** L'emissione di rumori durante l'utilizzo effettivo dell'utensile elettrico può variare rispetto al valore o ai valori dichiarati, a seconda dei modi in cui viene utilizzato l'utensile e specialmente a seconda di che tipo di pezzo venga lavorato.

**AVVERTIMENTO:** Accertarsi di identificare misure di sicurezza per la protezione dell'operatore che siano basate su una stima dell'esposizione nelle condizioni effettive di utilizzo (tenendo conto di tutte le parti del ciclo operativo, ad esempio del numero di spegnimenti dell'utensile e di quando giri a vuoto, oltre al tempo di attivazione).

## Vibrazioni

Standard applicabile : ISO22867(ISO11806-1)

### Modello UR101C

Utensile da taglio	Mano sinistra		Mano destra	
	$a_{h,w}$ ( $m/s^2$ )	Incertezza K ( $m/s^2$ )	$a_{h,w}$ ( $m/s^2$ )	Incertezza K ( $m/s^2$ )
Lama a 2 denti	$\leq 2,5$	1,5	$\leq 2,5$	1,5
Lama a 4 denti	$\leq 2,5$	1,5	$\leq 2,5$	1,5
Testina da taglio in nylon	$\leq 2,5$	1,5	$\leq 2,5$	1,5
Lama di plastica	$\leq 2,5$	1,5	$\leq 2,5$	1,5

### Modello UR201C

Utensile da taglio	Mano sinistra		Mano destra	
	$a_{h,w}$ ( $m/s^2$ )	Incertezza K ( $m/s^2$ )	$a_{h,w}$ ( $m/s^2$ )	Incertezza K ( $m/s^2$ )
Lama a 2 denti	$\leq 2,5$	1,5	$\leq 2,5$	1,5
Lama a 4 denti	$\leq 2,5$	1,5	$\leq 2,5$	1,5
Testina da taglio in nylon	$\leq 2,5$	1,5	$\leq 2,5$	1,5
Lama di plastica	$\leq 2,5$	1,5	$\leq 2,5$	1,5

**NOTA:** Il valore o i valori complessivi delle vibrazioni dichiarati sono stati misurati in conformità a un metodo standard di verifica, e possono essere utilizzati per confrontare un utensile con un altro.


**NOTA:** Il valore o i valori complessivi delle vibrazioni dichiarati possono venire utilizzati anche per una valutazione preliminare dell'esposizione.


**⚠AVVERTIMENTO:** L'emissione delle vibrazioni durante l'utilizzo effettivo dell'utensile elettrico può variare rispetto al valore o ai valori dichiarati, a seconda dei modi in cui viene utilizzato l'utensile, specialmente a seconda di che tipo di pezzo venga lavorato.



**⚠AVVERTIMENTO:** Accertarsi di identificare misure di sicurezza per la protezione dell'operatore che siano basate su una stima dell'esposizione nelle condizioni effettive di utilizzo (tenendo conto di tutte le parti del ciclo operativo, ad esempio del numero di spegnimenti dell'utensile e di quando giri a vuoto, oltre al tempo di attivazione).

## Simboli

Le figure seguenti mostrano i simboli utilizzati per l'apparecchio. Accertarsi di comprenderne il significato prima dell'uso.

	Adottare cura e attenzione particolari.
	Leggere il manuale d'uso.
	Mantenere una distanza di almeno 10 m.
	Pericolo; fare attenzione agli oggetti scagliati.
	Attenzione: contraccolpo
	Indossare un elmetto, occhiali protettivi e protezioni acustiche.
	Indossare guanti protettivi.
	Indossare stivali robusti con soles antiscivolo. Si consiglia l'utilizzo di stivali antinfortunistici con puntale in acciaio.

	Solo per le nazioni dell'EU A causa della presenza di componenti pericolosi nelle apparecchiature, i rifiuti di apparecchiature elettriche ed elettroniche, accumulatori e batterie potrebbero produrre un impatto negativo sull'ambiente e sulla salute umana. Non smaltire elettrodomestici elettrici ed elettronici o batterie insieme ai rifiuti domestici! In conformità alla direttiva europea sui rifiuti di apparecchiature elettriche ed elettroniche (RAEE), sugli accumulatori e le batterie, nonché sui rifiuti di accumulatori e batterie, e al suo adattamento alle normative nazionali, i rifiuti di apparecchiature elettriche ed elettroniche, batterie e accumulatori vanno conservati separatamente e conferiti a un punto di raccolta separato per i rifiuti comunali, operando in conformità alle normative per la protezione dell'ambiente. Tale requisito viene indicato mediante il simbolo del bidone della spazzatura con ruote barrato apposto sull'apparecchio.
----------------------------------------------------------------------------------	---------------------------------------------------------------------------------------------------------------------------------------------------------------------------------------------------------------------------------------------------------------------------------------------------------------------------------------------------------------------------------------------------------------------------------------------------------------------------------------------------------------------------------------------------------------------------------------------------------------------------------------------------------------------------------------------------------------------------------------------------------------------------------------------------------------------------------------------------------------------------------------------------------------------------------------------------------------------------------------------------------

	Livello di potenza sonora garantita in base alla Direttiva rumore macchine all'aperto UE.
	Livello di potenza sonora in base alla normativa sul controllo del rumore NSW australiana

## Dichiarazioni di conformità

### Solo per i paesi europei

Le Dichiarazioni di conformità sono incluse nell'Allegato A al presente manuale d'uso.

## AVVERTENZE DI SICUREZZA

### Avvertenze generali relative alla sicurezza dell'utensile elettrico

**⚠AVVERTIMENTO** Leggere tutte le avvertenze di sicurezza, le istruzioni, le illustrazioni e i dati tecnici forniti insieme a questo utensile elettrico. La mancata osservanza di tutte le istruzioni seguenti potrebbe risultare in scosse elettriche, incendi e/o gravi lesioni personali.

### Conservare tutte le avvertenze e le istruzioni come riferimento futuro.

Il termine "utensile elettrico" nelle avvertenze si riferisce sia all'utensile elettrico (cablato) nel funzionamento alimentato da rete elettrica che all'utensile elettrico (a batteria) nel funzionamento alimentato a batteria.

### Istruzioni di sicurezza importanti per l'utensile

**⚠AVVERTIMENTO:** Accertarsi di aver letto a fondo e compreso le presenti istruzioni per l'uso, nonché le istruzioni per l'uso del gruppo di alimentazione portatile da utilizzare con questo utensile. La mancata osservanza delle avvertenze e delle istruzioni può risultare in scosse elettriche, incendi e/o gravi lesioni personali.

**⚠AVVERTIMENTO:** Leggere tutte le avvertenze relative alla sicurezza e tutte le istruzioni. La mancata osservanza delle avvertenze e delle istruzioni può risultare in scosse elettriche, incendi e/o gravi lesioni personali.

### Conservare tutte le avvertenze e le istruzioni come riferimento futuro.

## Utilizzo previsto

1. Questo utensile è destinato al taglio di erba, erbacce, cespugli e sottobosco. Non va utilizzato per altri scopi di alcun genere, ad esempio il taglio di bordi o la potatura di siepi, in quanto questo potrebbe causare lesioni personali.

## Istruzioni generali

1. Non consentire mai l'utilizzo dell'utensile a persone che non abbiano familiarità con le presenti istruzioni, a persone (inclusi i bambini) dalle capacità fisiche, sensoriali o mentali ridotte, o prive di esperienza e preparazione. I bambini devono essere tenuti sotto controllo per assicurare che non giochino con l'utensile.
2. Prima di avviare l'utensile, leggere il presente manuale d'uso per familiarizzare con l'utilizzo dell'utensile.
3. Non prestare l'utensile a persone dotate di esperienza o nozioni insufficienti relative all'utilizzo dei decespugliatori e dei decespugliatori a filo.
4. Quando si intende prestare l'utensile, allegarvi sempre il presente manuale d'uso.
5. Maneggiare l'utensile con la massima cura e attenzione.
6. Non utilizzare mai l'utensile dopo aver fatto uso di alcool o droghe, o in condizioni fisiche di stanchezza o malattia.
7. Non tentare mai di modificare l'utensile.
8. Attenersi alle normative relative all'uso dei decespugliatori e dei decespugliatori a filo nella propria nazione.

## Attrezzatura di protezione personale

### ► Fig.1

1. Indossare un casco di sicurezza, occhiali protettivi e guanti protettivi per proteggersi da detriti volanti oppure oggetti che cadano.
2. Indossare protezioni per l'udito, ad esempio cuffie antirumore, per prevenire perdite dell'udito.
3. Indossare indumenti e calzature appropriati per un utilizzo sicuro, ad esempio una tuta da lavoro e scarpe robuste e antiscivolo. Non indossare indumenti troppo larghi o gioielli. Indumenti troppo larghi, gioielli o capelli lunghi possono restare impigliati nelle parti in movimento.
4. Quando si intende toccare la lama da taglio, indossare guanti protettivi. Le lame da taglio possono tagliare gravemente le mani nude.

## Sicurezza dell'area di lavoro

1. Utilizzare l'utensile esclusivamente in condizioni di buona visibilità e sotto luce diurna. Non utilizzare l'utensile al buio o nella nebbia.
2. Non utilizzare l'utensile in atmosfere esplosive, ad esempio in presenza di liquidi, gas o polveri infiammabili. L'utensile genera scintille che potrebbero incendiare le polveri o i fumi.
3. Durante l'uso, non stare mai in piedi su

superfici instabili o scivolose o su pendii ripidi. Durante la stagione fredda, fare attenzione al ghiaccio e alla neve e assicurare sempre un saldo equilibrio sui piedi.

4. Durante l'uso, tenere astanti o animali a una distanza di almeno 15 m dall'utensile. Arrestare l'utensile non appena si avvicina qualcuno.
5. Non utilizzare mai l'utensile mentre delle persone, specialmente bambini, o degli animali sono nelle vicinanze.
6. Prima dell'uso, esaminare l'eventuale presenza nell'area di lavoro di pietre o altri oggetti solidi. Questi oggetti possono essere scagliati o causare un contraccolpo pericoloso e risultare in gravi lesioni personali e/o danni alle cose.
7. **AVVERTENZA:** L'uso di questo prodotto può creare polveri contenenti sostanze chimiche, che potrebbero causare malattie respiratorie o di altro genere. Alcuni esempi di tali sostanze chimiche sono i composti che si trovano nei pesticidi, negli insetticidi, nei fertilizzanti e negli erbicidi. Il rischio per l'utente derivante dall'esposizione a queste sostanze varia a seconda della frequenza di questo tipo di lavoro. Per ridurre l'esposizione a tali sostanze chimiche, lavorare in un'area ben ventilata e utilizzare attrezzature di sicurezza certificate, ad esempio maschere antipolvere progettate specialmente per il filtraggio dei particolati microscopici.

## Sicurezza elettrica e della batteria

1. Non esporre l'utensile alla pioggia o a condizioni di bagnato. La penetrazione di acqua nell'utensile incrementa il rischio di scosse elettriche.
2. Non utilizzare l'utensile qualora l'interruttore non consenta di accenderlo e spegnerlo. Qualsiasi utensile che non possa essere controllato mediante l'interruttore è pericoloso e deve essere riparato.
3. Evitare l'avvio accidentale. Accertarsi che l'interruttore sia nella posizione di spegnimento prima di sollevare o trasportare l'utensile. Il trasporto dell'utensile con il dito appoggiato sull'interruttore o il collegamento all'alimentazione elettrica di un utensile con l'interruttore di accensione attivato favoriscono gli incidenti.
4. Non smaltire le batterie nel fuoco. La cella potrebbe esplodere. Controllare le normative locali per eventuali istruzioni speciali relative allo smaltimento.
5. Non aprire né fare a pezzi le batterie. L'elettrolita rilasciato è corrosivo, e potrebbe causare danni agli occhi o alla pelle. Inoltre, potrebbe essere tossico, se inghiottito.
6. Non caricare la batteria sotto la pioggia o in condizioni di bagnato.
7. Non sostituire la batteria con le mani bagnate.
8. Non sostituire la batteria sotto la pioggia.
9. Non far bagnare i terminali della batteria con liquidi, ad esempio con acqua, né sommergere la batteria. Non lasciare la batteria sotto la pioggia e non caricarla, utilizzarla o riporla in un'ubicazione umida o bagnata. Qualora i

terminali si bagnino o del liquido penetri all'interno della batteria, quest'ultima potrebbe venire cortocircuitata, e sussiste il rischio di surriscaldamento, incendio o esplosione.

10. **Non collegare lo spinotto alla presa del gruppo di alimentazione portatile, né scollegarlo da quest'ultima, sotto la pioggia o in condizioni di bagnato. Non lasciare, utilizzare o riporre l'utensile e il gruppo di alimentazione portatile sotto la pioggia o in ubicazioni umide o bagnate.** In caso contrario, si potrebbero causare scosse elettriche.
11. **Dopo aver rimosso la batteria dal gruppo di alimentazione portatile o dal caricabatterie, accertarsi di applicare il cappuccio della batteria su quest'ultima e di riporre la batteria in un'ubicazione asciutta.**
12. **Qualora la cartuccia della batteria si bagni, far fuoriuscire tutta l'acqua dall'interno, quindi pulirla con un panno asciutto. Far asciugare completamente la cartuccia della batteria in un luogo asciutto, prima dell'uso.**

## Messa in funzione

1. **Prima di montare o regolare l'utensile, scollegare il gruppo di alimentazione portatile dall'utensile.**
2. **Prima di maneggiare la lama da taglio, indossare guanti protettivi.**
3. **Prima di collegare il gruppo di alimentazione portatile, ispezionare l'utensile alla ricerca di eventuali danni, viti/dadi allentati o montaggio errato. Affilare una lama da taglio smussata. Qualora la lama da taglio sia piegata o danneggiata, sostituirla. Verificare che tutte le leve e gli interruttori di controllo funzionino agevolmente. Pulire e asciugare le maniglie.**
4. **Non tentare mai di accendere l'utensile qualora sia danneggiato o non sia stato completamente assemblato.** In caso contrario, si potrebbero causare gravi lesioni personali.
5. **Regolare la tracolla e l'impugnatura per adattarle alla taglia del corpo dell'operatore.**
6. **Quando si intende collegare il gruppo di alimentazione portatile all'utensile, tenere l'accessorio da taglio lontano dal proprio corpo e da altri oggetti, incluso il suolo.** L'accessorio potrebbe ruotare durante l'avvio, e potrebbe causare lesioni personali o danni all'utensile e/o alle cose.
7. **Prima di accendere l'utensile, rimuovere qualsiasi chiave di regolazione, brugola o coprilama.** Un accessorio lasciato agganciato a una parte rotante dell'utensile potrebbe risultare in lesioni personali.
8. **Sull'utensile da taglio deve essere installata la protezione. Non far funzionare mai l'utensile con protezioni danneggiate o senza aver installato le protezioni.**
9. **Accertarsi che non siano presenti cavi elettrici, tubi dell'acqua, tubi del gas, e così via, che potrebbero costituire un pericolo qualora venissero danneggiati dall'utilizzo dell'utensile.**

## Funzionamento

1. **In caso di emergenza, spegnere immediatamente l'utensile.**
2. **Qualora si avvertano condizioni anomale (ad esempio rumori o vibrazioni) durante l'uso, spegnere l'utensile e scollegare il gruppo di alimentazione portatile dall'utensile. Non utilizzare l'utensile fino all'identificazione e alla risoluzione della causa.**
3. **L'accessorio da taglio continua a girare per un breve periodo di tempo, dopo lo spegnimento dell'utensile. Non affrettare il contatto con l'accessorio da taglio.**
4. **Durante l'uso, utilizzare la tracolla. Mantenere l'utensile saldamente sul proprio lato destro.**
5. **Non allungarsi eccessivamente. Mantenere sempre un appoggio corretto sui piedi e l'equilibrio. Fare attenzione a ostacoli nascosti, quali ceppi d'albero, radici e fossi, per evitare di inciampare.**
6. **Accertarsi sempre di mantenere i piedi appoggiati saldamente sui pendii.**
7. **Camminare, non correre mai.**
8. **Per evitare la perdita di controllo, non lavorare mai su una scala a pioli o su un albero.**
9. **Qualora l'utensile subisca un forte impatto o una forte caduta, controllarne le condizioni prima di continuare il lavoro. Controllare l'eventuale presenza di malfunzionamenti nei controlli e nei dispositivi di sicurezza. In caso di eventuali danni o dubbi, rivolgersi a un nostro centro di assistenza autorizzato per l'ispezione e le riparazioni.**
10. **Non toccare la scatola degli ingranaggi durante e subito dopo l'uso.** La scatola degli ingranaggi raggiunge una temperatura estremamente elevata, durante l'uso, e può causare ustioni.
11. **Fare delle pause per evitare la perdita di controllo causata dall'affaticamento.** Si consiglia di fare una pausa di lunghezza compresa tra 10 e 20 minuti ogni ora.
12. **Quando si lascia l'utensile, anche se per un breve periodo di tempo, scollegare sempre il gruppo di alimentazione portatile dall'utensile.** L'utensile lasciato incustodito con la cartuccia della batteria installata potrebbe venire utilizzato da persone non autorizzate e causare un grave incidente.
13. **Qualora erba o rami restino impigliati tra l'accessorio da taglio e la protezione, spegnere sempre l'utensile e scollegare il gruppo di alimentazione portatile dall'utensile.** In caso contrario, l'accessorio da taglio potrebbe girare accidentalmente e causare gravi lesioni personali.
14. **Non toccare mai parti mobili pericolose prima che queste ultime si siano arrestate completamente e il gruppo di alimentazione portatile sia stato scollegato dall'utensile.**
15. **Qualora l'accessorio da taglio colpisca delle pietre o altri oggetti duri, spegnere immediatamente l'utensile. Quindi, scollegare il gruppo di alimentazione portatile dall'utensile e ispezionare l'accessorio da taglio.**

16. **Controllare spesso l'eventuale presenza di spaccature o danneggiamenti dell'accessorio da taglio durante l'uso.** Prima dell'ispezione, scollegare il gruppo di alimentazione portatile dall'utensile e accertarsi che l'accessorio da taglio si sia arrestato completamente. Sostituire immediatamente un accessorio da taglio danneggiato, anche solo in presenza di spaccature superficiali.
  17. **Non tagliare mai al di sopra dell'altezza della vita.**
  18. **Prima di iniziare l'operazione di taglio, attendere che l'accessorio da taglio abbia raggiunto una velocità costante dopo l'accensione dell'utensile.**
  19. **Quando si utilizza una lama da taglio, far ruotare l'utensile in modo uniforme a semicerchio da destra verso sinistra, come se si utilizzasse una falce.**
  20. **Mantenere l'utensile solo mediante le superfici di impugnatura isolate, poiché la lama da taglio potrebbe entrare in contatto con cablaggi nascosti.** Lama da taglio che entrino in contatto con un filo elettrico sotto tensione potrebbero mettere sotto tensione le parti metalliche esposte dell'utensile elettrico e trasmettere una scossa elettrica all'operatore.
  21. **Non avviare l'utensile quando l'utensile da taglio è impigliato in erba tagliata.**
  22. **Prima di avviare l'utensile, accertarsi che l'utensile da taglio non stia toccando il suolo e altri oggetti, ad esempio un albero.**
  23. **Durante il funzionamento, mantenere sempre l'utensile con entrambe le mani. Non mantenere mai utensile con una sola mano durante l'uso.**
  24. **Non utilizzare l'utensile quando sussiste il rischio di fulmini.**
  25. **Quando si utilizza l'utensile su suolo fangoso, pendii bagnati o ubicazioni scivolose, fare attenzione al proprio appoggio sui piedi.**
  26. **Evitare di lavorare in un ambiente inadeguato in cui si preveda un maggiore affaticamento per l'utente.**
  27. **Non utilizzare l'utensile in condizioni di tempo avverso in cui la visibilità sia limitata.** La mancata osservanza di questa indicazione potrebbe causare cadute o funzionamento errato a causa della scarsa visibilità.
  28. **Non immergere l'utensile in una pozzanghera.**
  29. **Non lasciare l'utensile incustodito all'aperto sotto la pioggia.**
  30. **Quando foglie bagnate o sporco aderiscono alla bocca di aspirazione (finestrella di ventilazione) a causa della pioggia, rimuoverle.**
  31. **Non utilizzare l'utensile nella neve.**
- sono idonee per tosare l'erba dei prati.
- Le lame da taglio sono idonee per tagliare erbacce, erbe alte, cespugli, arbusti, sottobosco, boschetto e simili.
  - Non utilizzare mai altre lame, tra cui catene rotanti a elementi multipli in metallo e lame a flagelli. In caso contrario, si potrebbero causare gravi lesioni personali.
3. **Utilizzare solo un utensile da taglio che sia contrassegnato con una velocità pari o superiore a quella contrassegnata sull'utensile.**
  4. **Tenere sempre le mani, il viso e gli indumenti lontani dall'utensile da taglio, quando quest'ultimo sta ruotando.** In caso contrario, si potrebbero causare lesioni personali.
  5. **Utilizzare sempre la protezione per l'accessorio da taglio idonea per l'accessorio da taglio utilizzato.**
  6. **Quando si intende utilizzare lame da taglio, evitare i contraccolpi ed essere sempre pronti a un contraccolpo accidentale. Vedere la sezione relativa al contraccolpo.**
  7. **Quando il decespugliatore non è in uso, applicare il coprilama sulla lama. Rimuovere il coprilama prima dell'uso.**

## Contraccolpo (spinta della lama)

1. Il contraccolpo (spinta della lama) è una reazione improvvisa a una lama da taglio che resti inceppata o bloccata. Quando si verifica questo fenomeno, l'utensile viene scagliato di lato o verso l'operatore con forza elevata, e ciò potrebbe causare gravi lesioni personali.
2. Il contraccolpo si verifica, in particolare, quando si applica il segmento della lama compreso tra ore 12 e ore 2 su oggetti solidi, cespugli e alberelli con un diametro di 3 cm o superiore.

► Fig.2

3. **Per evitare il contraccolpo:**
  1. **Applicare il segmento compreso tra ore 8 e ore 11.**
  2. **Non applicare mai il segmento compreso tra ore 12 e ore 2.**
  3. **Non applicare mai il segmento compreso tra ore 11 e ore 12 e quello compreso tra ore 2 e ore 5, a meno che l'operatore sia ben addestrato ed esperto e lo faccia a proprio rischio.**
  4. **Non utilizzare mai le lame da taglio in prossimità di oggetti solidi, quali recinzioni, pareti, tronchi d'albero e pietre.**
  5. **Non utilizzare mai le lame da taglio verticalmente, per operazioni quali la bordatura e la rifilatura di siepi.**

► Fig.3

## Utensili da taglio

1. **Non utilizzare un utensile da taglio che non sia consigliato da Makita.**
2. **Utilizzare un accessorio da taglio idoneo al lavoro in corso.**
  - Le testine da taglio in nylon (testine per decespugliatore a filo) e le lame di plastica

## Vibrazioni

1. **Le persone che soffrono di cattiva circolazione e che siano esposte a vibrazioni eccessive potrebbero essere soggette a lesioni ai vasi sanguigni o al sistema nervoso.** Le vibrazioni possono causare il verificarsi dei seguenti sintomi

alle dita, alle mani e ai polsi: Sensazioni di "addormentamento" (intorpidimento), formicolii, dolori, fitte, alterazione del colore della pelle o della pelle stessa. Qualora si verifichi un qualsiasi sintomo tra questi, consultare un medico.

2. **Per ridurre il rischio della cosiddetta "sindrome del dito bianco", tenere calde le mani durante l'uso e mantenere in buone condizioni l'utensile e gli accessori.**

## Trasporto

1. **Prima di trasportare l'utensile, spegnerlo e scollegare il gruppo di alimentazione portatile dall'utensile. Montare il coprilama sulla lama da taglio.**
2. **Quando si intende trasportare l'utensile, trasportarlo in posizione orizzontale mantenendolo per l'albero.**
3. **Quando si intende trasportare l'utensile in un veicolo, fissarlo correttamente per evitare che si rovesci. In caso contrario, potrebbe verificarsi il danneggiamento dell'utensile e di altri bagagli.**

## Manutenzione

1. **Far sottoporre a manutenzione l'utensile dal nostro centro di assistenza autorizzato, utilizzando sempre pezzi di ricambio originali.** Riparazioni errate e manutenzione inadeguata possono ridurre la vita utile dell'utensile e incrementare il rischio di incidenti.
2. **Prima di effettuare qualsiasi intervento di manutenzione o di riparazione, o prima di pulire l'utensile, spegnere sempre quest'ultimo e scollegare il gruppo di alimentazione portatile dall'utensile.**
3. **Indossare sempre guanti protettivi quando si intende maneggiare la lama da taglio.**
4. **Rimuovere sempre polvere e sporco dall'utensile. Non utilizzare mai benzina per motori o per smacchiare, diluenti, alcool o sostanze simili a tale scopo.** In caso contrario, si potrebbero causare scolorimento, deformazione o spaccature dei componenti in plastica.
5. **Dopo ciascun utilizzo, serrare tutte le viti e i dadi.**
6. **Non tentare alcun intervento di manutenzione o riparazione non descritto nel presente manuale d'uso. Rivolgersi al nostro centro di assistenza autorizzato per tale tipo di lavoro.**
7. **Utilizzare sempre esclusivamente i nostri pezzi di ricambio e accessori originali.** L'utilizzo di pezzi o accessori forniti da terze parti potrebbe risultare in rottura dell'utensile, danni alle cose e/o gravi lesioni personali.
8. **Richiedere a un nostro centro di assistenza autorizzato di ispezionare e sottoporre a manutenzione l'utensile a intervalli regolari.**
9. **Mantenere sempre l'utensile in buone condizioni operative.** Una manutenzione scadente può risultare in prestazioni inferiori e ridurre la vita utile dell'utensile.
10. **Non lavare l'utensile con acqua ad alta pressione.**
11. **Quando si intende lavare l'utensile, non lasciar**

**penetrare acqua nel meccanismo elettrico, ad esempio nel motore e nei terminali.**

12. **Quando si intende riporre l'utensile, evitare la luce solare diretta e la pioggia, e riporlo in un'ubicazione in cui non sia soggetto a temperature estremamente elevate o umidità.**
13. **Effettuare l'ispezione e la manutenzione in un'ubicazione in cui si possa evitare la pioggia.**
14. **Dopo aver utilizzato l'utensile, rimuovere lo sporco che si è depositato e far asciugare completamente l'utensile prima di riporlo.** A seconda della stagione o della zona, sussiste il rischio di malfunzionamento dovuto a congelamento.
15. **Mantenere tutte le prese d'aria di raffreddamento prive di detriti.**

## Conservazione

1. **Prima di riporre l'utensile, effettuare la pulizia e la manutenzione complete. Scollegare il gruppo di alimentazione portatile dall'utensile. Montare il coprilama sulla lama da taglio.**
2. **Riporre l'utensile in un'ubicazione asciutta e in posizione elevata, o chiusa a chiave, fuori dalla portata dei bambini.**
3. **Non appoggiare l'utensile contro qualcosa, ad esempio una parete. In caso contrario, potrebbe cadere improvvisamente e causare lesioni personali.**

## Primo soccorso

1. **Tenere sempre a portata di mano un kit di pronto soccorso. Sostituire immediatamente qualsiasi oggetto prelevato dal kit di pronto soccorso.**
2. **Quando si intende chiedere aiuto, fornire le informazioni seguenti:**
  - Luogo dell'incidente
  - Cosa è accaduto
  - Numero delle persone ferite
  - Natura delle lesioni personali
  - Il proprio nome

## Istruzioni di sicurezza importanti per la cartuccia della batteria

1. **Prima di utilizzare la cartuccia della batteria, leggere tutte le istruzioni e le avvertenze riportate (1) sul caricabatteria, (2) sulla batteria e (3) sul prodotto che utilizza la batteria.**
2. **Non smantellare né manomettere la cartuccia della batteria.** In caso contrario, si potrebbe causare un incendio, calore eccessivo o un'esplosione.
3. **Qualora il tempo di utilizzo si riduca eccessivamente, interrompere immediatamente l'utilizzo dell'utensile. In caso contrario, si può incorrere nel rischio di surriscaldamento, possibili ustioni e persino un'esplosione.**
4. **Qualora l'elettrolita entri in contatto con gli occhi, sciacquarli con acqua pulita e richiedere immediatamente assistenza medica. Questa eventualità può risultare nella perdita**



della vista.

5. **Non cortocircuitare la cartuccia della batteria:**

- (1) **Non toccare i terminali con alcun materiale conduttivo.**
- (2) **Evitare di conservare la cartuccia della batteria in un contenitore insieme ad altri oggetti metallici quali chiodi, monete, e così via.**
- (3) **Non esporre la cartuccia della batteria all'acqua o alla pioggia.**

**Un cortocircuito della batteria può causare un grande flusso di corrente, un surriscaldamento, possibili ustioni e persino un guasto.**

6. **Non conservare e utilizzare l'utensile e la cartuccia della batteria in ubicazioni in cui la temperatura possa raggiungere o superare i 50°C.**

7. **Non incenerire la cartuccia della batteria anche qualora sia gravemente danneggiata o completamente esaurita. La cartuccia della batteria può esplodere se a contatto con il fuoco.**

8. **Non inchiodare, tagliare, schiacciare, lanciare o far cadere la cartuccia della batteria, né farla urtare con forza contro un oggetto duro. Questi comportamenti potrebbero risultare in un incendio, calore eccessivo o un'esplosione.**

9. **Non utilizzare una batteria danneggiata.**

10. **Le batterie a ioni di litio contenute sono soggette ai requisiti del regolamento sul trasporto di merci pericolose (Dangerous Goods Legislation).**

Per trasporti commerciali, ad esempio da parte di terzi o spedizionieri, è necessario osservare dei requisiti speciali sull'imballaggio e sull'etichetta.

Per la preparazione dell'articolo da spedire, è richiesta la consulenza di un esperto in materiali pericolosi. Attenersi anche alle normative nazionali, che potrebbero essere più dettagliate.

Nastrare o coprire i contatti aperti e imballare la batteria in modo tale che non si possa muovere liberamente all'interno dell'imballaggio.

11. **Quando si intende smaltire la cartuccia della batteria, rimuoverla dall'utensile e smaltirla in un luogo sicuro. Attenersi alle normative locali relative allo smaltimento della batteria.**

12. **Utilizzare le batterie esclusivamente con i prodotti specificati da Makita. L'installazione delle batterie in prodotti non compatibili potrebbe risultare in incendi, calore eccessivo, esplosioni o perdite di liquido elettrolitico.**

13. **Se l'utensile non viene utilizzato per un periodo di tempo prolungato, la batteria deve essere rimossa dall'utensile.**

14. **Durante e dopo l'uso, la cartuccia della**

**batteria potrebbe assorbire calore, che può causare ustioni o ustioni a bassa temperatura. Fare attenzione a come si maneggiano le cartucce delle batterie estremamente calde.**

15. **Non toccare i terminali dell'utensile subito dopo l'uso, in quanto potrebbero diventare estremamente caldi al punto da causare ustioni.**

16. **Evitare di far incastrare schegge, polveri o terreno nei terminali, nei fori e nelle scanalature della cartuccia della batteria. In caso contrario, l'utensile o la cartuccia della batteria potrebbero riscaldarsi, prendere fuoco, scoppiare o guastarsi, causando ustioni o lesioni personali.**

17. **A meno che l'utensile supporti l'uso in prossimità di linee elettriche ad alta tensione, non utilizzare la cartuccia della batteria in prossimità di linee elettriche ad alta tensione. In caso contrario, si potrebbe causare un malfunzionamento o la rottura dell'utensile o della cartuccia della batteria.**

18. **Tenere la batteria lontana dai bambini.**

## CONSERVARE LE PRESENTI ISTRUZIONI.

**⚠ATTENZIONE:** Utilizzare solo batterie originali Makita. L'utilizzo di batterie Makita non originali, o di batterie che siano state alterate, potrebbe risultare nello scoppio della batteria, causando incendi, lesioni personali e danni. Inoltre, ciò potrebbe invalidare la garanzia Makita per l'utensile e il caricabatterie Makita.

## Suggerimenti per preservare la durata massima della batteria

1. **Caricare la cartuccia della batteria prima che si scarichi completamente. Smettere sempre di utilizzare l'utensile e caricare la cartuccia della batteria quando si nota che la potenza dell'utensile è diminuita.**
2. **Non ricaricare mai una cartuccia della batteria completamente carica. La sovraccarica riduce la vita utile della batteria.**
3. **Caricare la cartuccia della batteria a una temperatura ambiente compresa tra 10 °C e 40 °C. Lasciar raffreddare una cartuccia della batteria prima di caricarla.**
4. **Quando non si utilizza la cartuccia della batteria, rimuoverla dall'utensile o dal caricabatterie.**
5. **Caricare la cartuccia della batteria se non la si è utilizzata per un periodo di tempo prolungato (più di sei mesi).**

## DESCRIZIONE DELLE PARTI

► Fig.4

1	Indicatore di velocità	2	Indicatore ADT (ADT = Automatic Torque Drive Technology (tecnologia di trazione a coppia automatica))	3	Indicatore luminoso di avvertimento	4	Pulsante di accensione principale
5	Pulsante di inversione	6	Spinotto	7	Leva di sblocco	8	Interruttore a grilletto
9	Anello di aggancio	10	Maniglia	11	Barriera	12	Manopola
13	Protezione	14	Prolunga della protezione (per testina da taglio in nylon / lama di plastica)	15	Fascia di sospensione	-	-

## DESCRIZIONE DELLE FUNZIONI

**⚠AVVERTIMENTO:** Accertarsi sempre che l'utensile sia spento e il gruppo di alimentazione portatile sia stato scollegato dall'utensile, prima di regolare o controllare il funzionamento dell'utensile. Il mancato spegnimento e il mancato scollegamento del gruppo di alimentazione portatile potrebbero risultare in gravi lesioni personali dovute all'avvio accidentale.

### Sistema di protezione strumento/batteria

L'utensile è dotato di un sistema di protezione utensile/batteria. Questo sistema interrompe automaticamente l'alimentazione al motore per prolungare la vita utile dell'utensile e della batteria. L'utensile si arresta automaticamente durante il funzionamento, qualora venga a trovarsi in una delle condizioni seguenti:

Indicatore luminoso di avvertimento			Stato
Colore	● Acceso	● Lampeggiante	
Verde		●	Sovraccarico
Rosso	● (utensile) / ● (batteria)		Surriscaldamento
Rosso		●	Sovraccarica

### Protezione dal sovraccarico

Qualora l'utensile venga a trovarsi in una delle situazioni seguenti, l'utensile si arresta automaticamente e l'indicatore luminoso di avvertimento inizia a lampeggiare in verde:

- L'utensile è sovraccaricato da erbacce impigliate o altri detriti.
- L'utensile da taglio è bloccato o è stato soggetto a un contraccolpo.
- Il pulsante di accensione principale viene attivato mentre si tiene premuto l'interruttore a grilletto.

In questa situazione, rilasciare l'interruttore a grilletto e rimuovere le erbacce impigliate o i detriti, se necessario. Dopodiché, premere di nuovo l'interruttore a grilletto per riprendere l'utilizzo.

**⚠ATTENZIONE:** Qualora sia necessario rimuovere le erbacce impigliate nell'utensile o sbloccare l'utensile da taglio bloccato, accertarsi di spegnere l'utensile prima di iniziare.

### Protezione dal surriscaldamento per l'utensile o la batteria

Qualora l'utensile o la cartuccia della batteria siano surriscaldati, l'utensile si arresta automaticamente. Quando l'utensile è surriscaldato, l'indicatore luminoso di avvertimento si illumina in rosso. Quando la cartuccia della batteria è surriscaldata, l'indicatore luminoso di avvertimento lampeggia in rosso. Lasciar raffreddare l'utensile e/o la batteria, prima di riaccendere l'utensile.

### Protezione dalla sovraccarica

Quando la carica della batteria diventa bassa, l'utensile si arresta automaticamente, e l'indicatore luminoso di avvertimento inizia a lampeggiare in rosso. Qualora l'utensile non funzioni anche quando si attivano gli interruttori, rimuovere la cartuccia della batteria dall'utensile e caricarla.

### Interruttore di accensione principale

Per accendere l'utensile, toccare il pulsante di accensione principale.

Per spegnere l'utensile, tenere premuto il pulsante di accensione principale fino a quando l'indicatore di velocità si spegne.

► **Fig.5:** 1. Indicatore di velocità 2. Pulsante di accensione principale

**NOTA:** L'utensile si spegne automaticamente, qualora venga lasciato inutilizzato per un determinato periodo di tempo.

## Funzionamento dell'interruttore

**⚠AVVERTIMENTO:** Per la sicurezza dell'utente, questo utensile è dotato di leva di sblocco che evita l'avvio accidentale dell'utensile stesso. Non utilizzare MAI l'utensile qualora entri in funzione semplicemente premendo l'interruttore a grilletto senza tenere premuta la leva di sblocco. Portare l'utensile a un nostro centro di assistenza autorizzato per le riparazioni del caso PRIMA di utilizzarlo ulteriormente.

**⚠AVVERTIMENTO:** Non bloccare MAI con del nastro adesivo né rendere inefficace lo scopo e il funzionamento della leva di sblocco.

**⚠ATTENZIONE:** Prima di collegare il gruppo di alimentazione portatile all'utensile, controllare sempre che l'interruttore a grilletto funzioni correttamente e torni sulla posizione di spegnimento quando viene rilasciato. L'utilizzo di un utensile con un interruttore che non funziona correttamente può portare alla perdita di controllo e a gravi lesioni personali.

**⚠ATTENZIONE:** Quando si trasporta utensile, non appoggiare mai il dito sul pulsante di accensione principale e sull'interruttore a grilletto. In caso contrario, l'utensile si potrebbe avviare accidentalmente e causare lesioni personali.

**AVVISO:** Non premere con forza l'interruttore a grilletto senza tenere premuta la leva di sblocco. In caso contrario, si potrebbe causare la rottura dell'interruttore.

Per evitare che l'interruttore a grilletto venga premuto accidentalmente, è fornita una leva di sblocco. Per avviare l'utensile, tenere premuta la leva di sblocco e premere l'interruttore a grilletto. La velocità dell'utensile aumenta incrementando la pressione sull'interruttore a grilletto. Per arrestare l'utensile, rilasciare l'interruttore a grilletto.

### UR101C

► Fig.6: 1. Leva di sblocco 2. Interruttore a grilletto










### UR201C

► Fig.7: 1. Leva di sblocco 2. Interruttore a grilletto

## Regolazione della velocità

È possibile selezionare la velocità dell'utensile toccando il pulsante di accensione principale. Ad ogni tocco del pulsante di accensione principale, il livello di velocità cambia. L'utensile regola automaticamente la velocità di rotazione in base all'utensile da taglio montato sull'utensile.

► Fig.8: 1. Indicatore di velocità 2. Pulsante di accensione principale


Indicatore di velocità	Modalità	Velocità di rotazione	
		Lama da taglio Lama di plastica (305 mm)	Testina da taglio in nylon Lama di plastica (255 mm)
3  2  1 	Alta	0 - 7.000 min <sup>-1</sup>	0 - 5.500 min <sup>-1</sup>
3  2  1 	Media	0 - 5.500 min <sup>-1</sup>	0 - 5.000 min <sup>-1</sup>
3  2  1 	Bassa	0 - 4.600 min <sup>-1</sup>	0 - 4.600 min <sup>-1</sup>

## Tecnologia di trazione a coppia automatica

Quando si attiva la funzione ADT (Automatic Torque Drive Technology, tecnologia di trazione a coppia automatica), l'utensile funziona alla velocità di rotazione e alla coppia ottimali in base alle condizioni dell'erba che si sta tagliando. L'utensile rileva automaticamente l'utensile da taglio montato e sceglie una velocità di rotazione idonea.

Per avviare la funzione ADT, tenere premuto il pulsante di inversione fino a quando l'indicatore ADT si illumina. Per arrestare la funzione ADT, tenere premuto il pulsante di inversione fino a quando l'indicatore ADT si spegne.

► Fig.9: 1. Indicatore ADT 2. Pulsante di inversione

Indicatore	Modalità	Utensile da taglio	Velocità di rotazione
	ADT	Lama da taglio Lama di plastica (305 mm)	3.500 - 7.000 min <sup>-1</sup>
		Testina da taglio in nylon Lama di plastica (255 mm)	3.500 - 5.500 min <sup>-1</sup>

## Pulsante di inversione per la rimozione dei detriti

**⚠AVVERTIMENTO:** Prima di rimuovere erbacce o detriti impigliati che la funzione di rotazione inversa non è in grado di rimuovere, spegnere l'utensile e scollegare il gruppo di alimentazione portatile dall'utensile. In caso contrario, si potrebbero verificare gravi lesioni personali causate dall'avvio accidentale.

Questo utensile dispone di un pulsante di inversione per cambiare la direzione di rotazione. La sua funzione

è esclusivamente la rimozione di erbacce e detriti impi- gliati nell'utensile.

Per invertire la rotazione, toccare il pulsante di inver- sione e premere l'interruttore a grilletto mentre si tiene premuta la leva di sblocco, quando l'utensile da taglio è arrestato. Gli indicatori di velocità e l'indicatore ADT ini- ziano a lampeggiare, e l'utensile da taglio ruota in dire- zione inversa, quando si preme l'interruttore a grilletto. Per tornare alla rotazione normale, rilasciare il grilletto e attendere che l'utensile da taglio si arresti.

► **Fig.10:** 1. Indicatore di velocità 2. Indicatore ADT  
3. Pulsante di inversione

**NOTA:** Durante la rotazione inversa, l'utensile fun- ziona solo per un breve periodo di tempo, quindi si arresta automaticamente.

**NOTA:** Una volta che l'utensile si è arrestato, la rota- zione torna alla direzione normale quando si riavvia l'utensile.

**NOTA:** Se si tocca il pulsante di inversione mentre l'utensile da taglio sta ancora ruotando, l'utensile si arresta per predisporre alla rotazione inversa.

## Freno elettrico

Questo utensile è dotato di un freno elettrico. Qualora l'utensile non riesca ripetutamente ad arrestarsi rapi- damente dopo il rilascio dell'interruttore a grilletto, far sottoporre a riparazione l'utensile presso un nostro centro di assistenza.

**ATTENZIONE:** Questo sistema di frenaggio non rappresenta un sostituto della protezione. Non utilizzare mai l'utensile senza la protezione. Un utensile da taglio privo di protezione potrebbe risultare in gravi lesioni personali.

## Funzione elettronica

### Controllo costante della velocità

La funzione di controllo della velocità fornisce una velocità di rotazione costante, indipendentemente dalle condizioni di carico.

### Funzione di avvio morbido

Avvio morbido, grazie alla soppressione dell'impatto di avvio.

## MONTAGGIO

**AVVERTIMENTO:** Accertarsi sempre che l'utensile sia spento e il gruppo di alimentazione portatile sia stato scollegato dall'utensile, prima di effettuare qualsiasi lavoro su quest'ultimo. Il mancato spegnimento e il mancato scollegamento del gruppo di alimentazione portatile potrebbero risultare in gravi lesioni personali dovute all'avvio accidentale.

**AVVERTIMENTO:** Non avviare mai l'uten- sile se non è stato completamente assemblato. L'utilizzo dell'utensile in uno stato di assemblaggio parziale potrebbe risultare in gravi lesioni personali dovute all'avvio accidentale.

## Installazione della maniglia

### Per il modello UR101C

1. Inserire l'albero della maniglia nell'impugnatura. Allineare il foro per la vite presente nell'impugnatura con quello presente nell'albero. Serrare saldamente la vite.

► **Fig.11:** 1. Impugnatura 2. Vite 3. Albero

**AVVISO:** Osservare l'orientamento dell'impugna- tura. I fori delle viti non si allineano, qualora l'im- pugnatura non venga inserita con l'orientamento corretto.

2. Posizionare la molla sulla base.

► **Fig.12:** 1. Manopola 2. Morsa della maniglia  
3. Maniglia 4. Supporto della maniglia  
5. Molla 6. Base

3. Posizionare la maniglia tra la morsa della maniglia e il supporto della maniglia.

4. Montare temporaneamente la maniglia ser- rando la manopola, quindi regolare la posizione della maniglia.

5. Serrare completamente la manopola.

### Per il modello UR201C

1. Montare la morsa superiore e quella inferiore sull'ammortizzatore.

2. Applicare la maniglia sulla morsa superiore e fis- sarla con i bulloni a esagono incassato, come indicato nella figura.

► **Fig.13:** 1. Bullone a esagono incassato 2. Maniglia  
3. Morsa superiore 4. Ammortizzatore  
5. Morsa inferiore

## Montaggio della barriera

**Solo per il modello con maniglia ad anello (speci- fico in base alla nazione)**

Qualora la barriera sia inclusa nel modello utilizzato, montarla sulla maniglia utilizzando la vite presente sulla barriera.

► **Fig.14:** 1. Barriera 2. Vite

**⚠ATTENZIONE:** Dopo aver assemblato la barriera, non rimuoverla. La barriera funge da componente di sicurezza, per evitare che l'utilizzatore entri in contatto accidentalmente con la lama da taglio.

## Conservazione della chiave esagonale

**⚠ATTENZIONE:** Fare attenzione a non lasciare la chiave a brugola inserita nella testa dell'utensile. In caso contrario, potrebbe causare lesioni personali e/o danneggiare l'utensile.

Quando non è in uso, conservare la chiave a brugola come indicato, per evitare che venga persa.

► Fig.15: 1. Chiave a brugola

Per il modello con maniglia a manubrio, è anche possibile conservare la chiave a brugola sulla morsa della maniglia, come indicato nella figura.




► Fig.16: 1. Chiave a brugola 2. Morsa della maniglia

Per il modello con maniglia ad anello, è possibile conservare la chiave a brugola sulla maniglia, come indicato nella figura.

► Fig.17: 1. Chiave a brugola

## Combinazione corretta di utensile da taglio e protezione

**⚠ATTENZIONE:** Utilizzare sempre la combinazione corretta di utensile da taglio e protezione. Una combinazione errata potrebbe non proteggere l'utilizzatore dall'utensile da taglio, dai detriti volanti e dalle pietre. Inoltre, potrebbe influenzare l'equilibrio dell'utensile e risultare in lesioni personali.

Utensile da taglio	Protezione
<p>Lama da taglio (lame a 2 denti, a 3 denti e a 4 denti)</p> 	
<p>Testina da taglio in nylon</p> 	
<p>Lama di plastica</p> 	

## Installazione della protezione

**⚠AVVERTIMENTO:** Non utilizzare mai l'utensile senza applicare la protezione o con la protezione installata in modo errato. La mancata osservanza di questa precauzione potrebbe causare gravi lesioni personali.

**NOTA:** Il tipo di protezione fornita come accessorio in dotazione varia a seconda della nazione.

## Per la lama da taglio

Fissare la protezione sulla morsa utilizzando i bulloni.

► Fig.18: 1. Morsa 2. Protezione

## Per la testina da taglio in nylon o la lama di plastica

**⚠ATTENZIONE:** Fare attenzione a non ferirsi con il taglierino per tagliare il filo di nylon.

Fissare la protezione sulla morsa utilizzando i bulloni. Dopodiché, installare la prolunga della protezione. Inserire la prolunga della protezione su quest'ultima, quindi agganciare le staffe di bloccaggio. Accertarsi che le linguette sulla prolunga della protezione entrino nelle aperture presenti sulla protezione.

► Fig.19: 1. Protezione 2. Staffa di bloccaggio  
3. Prolunga della protezione 4. Taglierino  
5. Apertura 6. Linguetta

Per rimuovere la prolunga della protezione da quest'ultima, sganciare le staffe di bloccaggio inserendo la chiave a brugola come indicato nella figura.

► Fig.20: 1. Chiave a brugola 2. Staffa di bloccaggio

## Installazione dell'utensile da taglio

**⚠ATTENZIONE:** Utilizzare sempre le chiavi in dotazione per rimuovere o installare l'utensile da taglio.

**⚠ATTENZIONE:** Dopo aver installato l'utensile da taglio, accertarsi di rimuovere la chiave a brugola inserita nella testa dell'utensile.

**NOTA:** Il tipo di utensile o di utensili da taglio forniti come accessori in dotazione varia a seconda della nazione. L'utensile da taglio non è in dotazione in alcune nazioni.

**NOTA:** Capovolgere l'utensile in modo da poter sostituire l'utensile da taglio facilmente.

## Lama da taglio

**⚠ATTENZIONE:** Quando si intende maneggiare la lama da taglio, indossare sempre i guanti e applicare il coprilama sulla lama.

**⚠ATTENZIONE:** La lama da taglio deve essere ben pulita, priva di spaccature o rotture. Qualora la lama da taglio colpisca una pietra durante l'utilizzo, arrestare l'utensile e controllare immediatamente la lama da taglio.

**⚠ATTENZIONE:** Utilizzare esclusivamente una lama da taglio che abbia il diametro descritto nella sezione dei dati tecnici.

1. Applicare il coprilama sulla lama da taglio.

### Lama a 2 denti

► Fig.21

### Lama a 3 denti

► Fig.22

### Lama a 4 denti

► Fig.23

2. Inserire la chiave a brugola attraverso il foro presente nella scatola degli ingranaggi per bloccare il perno. Ruotare il perno fino a quando la chiave a brugola è completamente inserita.

► Fig.24: 1. Dado 2. Coppia 3. Rondella di chiusura 4. Lama da taglio 5. Perno 6. Rondella ricevente 7. Chiave a brugola

3. Accertarsi di installare la lama da taglio sulla rondella ricevente in modo che i simboli delle frecce sulla lama da taglio e sulla protezione puntino nella stessa direzione.

► Fig.25: 1. Freccia

4. Applicare la rondella di chiusura e la coppa sulla lama da taglio, quindi serrare saldamente il dado mediante la chiave a tubo.

► Fig.26: 1. Chiave a tubo 2. Chiave a brugola 3. Per allentare 4. Per serrare

**NOTA:** Coppia di serraggio: 20 - 30 N•m

5. Rimuovere la chiave a brugola dalla scatola degli ingranaggi.

Per rimuovere la lama da taglio, seguire le procedure di installazione al contrario.

## Testina da taglio in nylon

**AVVISO:** Accertarsi di utilizzare una testina da taglio in nylon originale Makita.

Vi sono due tipi di testina da taglio in nylon: il tipo con fuoriuscita a impatto e il tipo a fuoriuscita manuale.

### Tipo con fuoriuscita a impatto

► Fig.27: 1. Testina da taglio in nylon 2. Perno 3. Chiave esagonale 4. Per allentare 5. Per serrare

1. Inserire la chiave a brugola attraverso il foro presente nella scatola degli ingranaggi per bloccare il perno. Ruotare il perno fino a quando la chiave a brugola è completamente inserita.

2. Posizionare la testina da taglio in nylon sul perno e serrarla saldamente con la mano.

3. Rimuovere la chiave a brugola dalla scatola degli ingranaggi.

Per rimuovere la testina da taglio in nylon, seguire le procedure di installazione al contrario.

### Tipo con fuoriuscita manuale

► Fig.28: 1. Dado 2. Testina da taglio in nylon 3. Perno 4. Chiave esagonale

1. Inserire la chiave a brugola attraverso il foro presente nella scatola degli ingranaggi per bloccare il perno. Ruotare il perno fino a quando la chiave a brugola è completamente inserita.

2. Posizionare la testina da taglio in nylon sul perno e serrare saldamente il dado con la chiave a tubo.

► Fig.29: 1. Chiave a tubo 2. Chiave a brugola 3. Per allentare 4. Per serrare

3. Rimuovere la chiave a brugola dalla scatola degli ingranaggi.

Per rimuovere la testina da taglio in nylon, seguire le procedure di installazione al contrario.

## Lama di plastica

**AVVISO:** Accertarsi di utilizzare una lama di plastica originale Makita.

► Fig.30: 1. Lama di plastica 2. Perno 3. Chiave a brugola 4. Per allentare 5. Per serrare

1. Inserire la chiave a brugola attraverso il foro presente nella scatola degli ingranaggi per bloccare il perno. Ruotare il perno fino a quando la chiave a brugola è completamente inserita.

2. Posizionare la lama di plastica sul perno e serrarla saldamente con la mano.

3. Rimuovere la chiave a brugola dalla scatola degli ingranaggi.

Per rimuovere la lama di plastica, seguire le procedure di installazione al contrario.

# FUNZIONAMENTO

## Regolazione della posizione di lavoro

**⚠ATTENZIONE:** Prima di eseguire questa procedura, installare la cartuccia o le cartucce delle batterie nel gruppo di alimentazione portatile e completare le regolazioni per la cintura e l'imbracatura. Per i dettagli, fare riferimento al manuale d'uso del gruppo di alimentazione portatile.

**⚠ATTENZIONE:** Per evitare l'avvio accidentale, non accendere mai il gruppo di alimentazione portatile nel corso di questa procedura. La cartuccia o le cartucce delle batterie vanno installate solo per ottenere l'utilizzabilità con l'equilibrio del peso effettivo.

**⚠ATTENZIONE:** Quando si utilizza l'utensile in combinazione con un alimentatore di tipo a zaino, quale il gruppo di alimentazione portatile, utilizzare la fascia di sospensione inclusa nella confezione dell'utensile, o la fascia di sospensione consigliata da Makita.

Qualora si indossino contemporaneamente un'imbracatura non consigliata da Makita e l'imbracatura dell'alimentatore di tipo a zaino, la rimozione dell'utensile o dell'alimentatore di tipo a zaino risulta difficoltosa in caso di emergenza, e potrebbe causare un incidente o lesioni personali. Per informazioni sulla fascia di sospensione consigliata, rivolgersi ai centri di assistenza autorizzati Makita.

1. Estrarre il cavo elettrico dal lato destro del gruppo di alimentazione portatile. Quando si estrae il cavo elettrico, accertarsi di inserire il cavo elettrico nel fermacavo, come indicato nella figura.

► Fig.31: 1. Cavo 2. Fermacavo

2. Fissare i ganci della fascia di sospensione agli anelli delle tracolle o della cintura dell'imbracatura, come indicato nella figura.

**Fissaggio della fascia di sospensione alla tracolla.**

► Fig.32: 1. Fascia di sospensione 2. Anello  
3. Gancio

**Fissaggio della fascia di sospensione alla tracolla e alla cintura.**

► Fig.33: 1. Fascia di sospensione 2. Anello  
3. Gancio

3. Indossare l'imbracatura del gruppo di alimentazione portatile e bloccare la fibbia sulla cintura.

► Fig.34

Regolare la lunghezza della fascia di sospensione a seconda delle esigenze.

► Fig.35

4. Agganciare l'utensile all'imbracatura utilizzando il gancio sulla fascia di sospensione. Accertarsi di aver agganciato l'anello di aggancio dell'utensile.

**UR101C**

► Fig.36: 1. Gancio 2. Anello di aggancio

**UR201C**

► Fig.37: 1. Gancio 2. Anello di aggancio

5. Inserire lo spinotto dell'utensile nella presa del gruppo di alimentazione portatile.

Durante l'inserimento, allineare il simbolo del triangolo sia sullo spinotto che sulla presa.

**UR101C**

► Fig.38: 1. Spinotto 2. Presa 3. Simbolo del triangolo

**UR201C**

► Fig.39: 1. Spinotto 2. Presa 3. Simbolo del triangolo

6. Regolare la lunghezza del cavo elettrico utilizzando il fermacavo, se necessario.

► Fig.40: 1. Fermacavo

La lunghezza del cavo elettrico è regolata correttamente quando è possibile:

— far ruotare l'utensile senza essere ostacolati dal cavo elettrico;

— far ruotare l'utensile senza lasciar cadere il cavo elettrico;

— scollegare lo spinotto dalla presa senza togliersi l'imbracatura del gruppo di alimentazione portatile.

**⚠ATTENZIONE:** Lasciare che il cavo elettrico abbia gioco sufficiente tra l'utensile e il gruppo di alimentazione portatile. Qualora non vi sia gioco sufficiente, il movimento dell'utensile potrebbe venire ostacolato. Qualora vi sia un gioco eccessivo, il cavo elettrico potrebbe restare impigliato in altri oggetti e causare un incidente.

## Regolazione della posizione dell'anello di aggancio

**Solo per il modello UR101C**

Per maneggiare con maggiore comodità l'utensile, è possibile cambiare la posizione dell'anello di aggancio.

1. Allentare la vite sull'anello di aggancio e far scorrere quest'ultimo su una posizione di lavoro comoda.

► Fig.41: 1. Anello di aggancio 2. Vite 3. Cavo

**AVVISO:** Quando si intende regolare la posizione dell'anello di aggancio, regolare anche la posizione del cavo elettrico.

2. Regolare la posizione dell'anello di aggancio come indicato nella figura, quindi serrare la vite.

► Fig.42

1	Posizione dell'anello di aggancio dal suolo
2	Posizione dell'utensile da taglio dal suolo
3	Distanza orizzontale tra l'anello di aggancio e la parte non protetta dell'utensile da taglio

## Avvio dell'utilizzo

**ATTENZIONE:** Prima dell'utilizzo, terminare la regolazione della posizione di lavoro attenendosi alle istruzioni nell'apposita sezione.

**ATTENZIONE:** Prima dell'uso, accertarsi che la fibbia sulla cintura sia bloccata e che l'utensile sia fissato saldamente al gancio della fascia di sospensione.

**ATTENZIONE:** Premere sempre il pulsante di accensione principale per accendere l'utensile subito prima di tagliare l'erba. In caso contrario, si potrebbero causare lesioni personali dovute all'avvio accidentale.

1. Installare la cartuccia della batteria o le cartucce delle batterie nel gruppo di alimentazione portatile.

► **Fig.43:** 1. Gruppo di alimentazione portatile  
2. Cartuccia della batteria

**NOTA:** Per informazioni su come installare le cartucce delle batterie, fare riferimento al manuale d'uso del gruppo di alimentazione portatile.

2. Premere il pulsante di accensione sul gruppo di alimentazione portatile. L'indicatore luminoso di accensione principale si illumina.

► **Fig.44:** 1. Indicatore luminoso di accensione principale  
2. Pulsante di accensione

3. Indossare l'imbracatura del gruppo di alimentazione portatile e bloccare la fibbia sulla cintura.

► **Fig.45**

4. Agganciare l'utensile all'imbracatura utilizzando il gancio sulla fascia di sospensione. Accertarsi di aver agganciato l'anello di aggancio dell'utensile.

**UR101C**

► **Fig.46:** 1. Gancio 2. Anello di aggancio

**UR201C**

► **Fig.47:** 1. Gancio 2. Anello di aggancio

5. Inserire lo spinotto dell'utensile nella presa del gruppo di alimentazione portatile.

Durante l'inserimento, allineare il simbolo del triangolo sia sullo spinotto che sulla presa.

**UR101C**

► **Fig.48:** 1. Spinotto 2. Presa 3. Simbolo del triangolo

**UR201C**

► **Fig.49:** 1. Spinotto 2. Presa 3. Simbolo del triangolo

6. Per accendere l'utensile, toccare il pulsante di accensione principale.

L'utensile è pronto all'uso. L'utensile entra in funzione quando si preme l'interruttore a grilletto.

► **Fig.50:** 1. Pulsante di accensione principale

**ATTENZIONE:** Quando si intende sospendere l'utilizzo, spegnere sempre l'utensile e rimuovere lo spinotto dalla presa. In caso contrario, si potrebbero causare lesioni personali dovute all'avvio accidentale.

Quando si intende terminare l'utilizzo, tenere premuto il

pulsante di accensione principale fino a quando l'indicatore di velocità si spegne, quindi eseguire la procedura indicata sopra al contrario.

## Come maneggiare correttamente l'utensile

**AVVERTIMENTO:** Posizionare sempre l'utensile sul proprio lato destro. Il corretto posizionamento dell'utensile consente il massimo controllo e riduce il rischio di gravi lesioni personali causate da contraccolpi.

**AVVERTIMENTO:** Mantenere il controllo dell'utensile in qualsiasi momento con la massima attenzione. Non consentire la deviazione dell'utensile verso se stessi o chiunque altro in prossimità dell'area di lavoro. La mancata capacità di mantenere il controllo dell'utensile potrebbe risultare in gravi lesioni personali agli astanti e all'operatore.

**AVVERTIMENTO:** Quando due o più operatori lavorano nella stessa area, per evitare incidenti, lasciare una distanza superiore a 15 m tra gli operatori. Inoltre, predisporre una persona che faccia rispettare la distanza tra gli operatori. Qualora una persona o un animale entri nell'area di lavoro, interrompere immediatamente l'operazione.

**ATTENZIONE:** Qualora l'utensile da taglio urti accidentalmente una pietra o un oggetto duro durante l'utilizzo, arrestare l'utensile e ispezionarlo alla ricerca di eventuali danni. Qualora l'utensile da taglio sia danneggiato, sostituirlo immediatamente. L'utilizzo di un utensile da taglio danneggiato potrebbe risultare in gravi lesioni personali.

**ATTENZIONE:** Rimuovere il coprilama dalla lama da taglio, quando si intende tagliare l'erba.

Un posizionamento e un uso corretti consentono un controllo ottimale e riducono il rischio di lesioni personali causate da contraccolpi.

**UR101C**

► **Fig.51**

**UR201C**

► **Fig.52**

**Quando si utilizza una testina da taglio in nylon (tipo con fuoriuscita a impatto)**

La testina da taglio in nylon è una testina tagliabordi a doppio filo munita di un meccanismo di fuoriuscita a impatto.

Per causare la fuoriuscita del filo di nylon, far toccare la testina da taglio sul terreno durante la rotazione.

► **Fig.53:** 1. Area di taglio più efficace

**AVVISO:** La fuoriuscita a impatto non funziona correttamente se la testina da taglio in nylon non sta ruotando.



**NOTA:** Qualora il filo di nylon non fuoriesca mentre si fa toccare la testina, riavvolgere o sostituire il filo di nylon attenendosi alle procedure nella sezione relativa alla manutenzione.

## Distacco di emergenza

**⚠ATTENZIONE:** In caso di distacco di emergenza, fare particolarmente attenzione alla posizione dell'utensile da taglio rotante.

In caso di emergenza, sganciare l'utensile in uno dei due modi descritti di seguito:

Sganciare la fibbia sulla cintura e togliersi l'imbracatura del gruppo di alimentazione portatile che è collegato all'utensile.

► Fig.54: 1. Fibbia

Sbloccare la fibbia sulla fascia di sospensione e liberare l'utensile. Il cavo elettrico viene scollegato dal peso dell'utensile.

► Fig.55: 1. Fibbia

## MANUTENZIONE

**⚠AVVERTIMENTO:** Accertarsi sempre che l'utensile sia spento e il gruppo di alimentazione portatile sia stato scollegato dall'utensile, prima di tentare di eseguire interventi di ispezione o manutenzione sull'utensile. Il mancato spegnimento e il mancato scollegamento del gruppo di alimentazione portatile potrebbero risultare in gravi lesioni personali dovute all'avvio accidentale.

**AVVISO:** Non utilizzare mai benzina, benzene, solventi, alcol o altre sostanze simili. In caso contrario, si potrebbero causare scolorimenti, deformazioni o crepe.

Per preservare la SICUREZZA e l'AFFIDABILITÀ del prodotto, le riparazioni e qualsiasi altro intervento di manutenzione e di regolazione devono essere eseguiti da un centro di assistenza autorizzato Makita, utilizzando sempre ricambi Makita.

## Pulizia dell'utensile

Pulire l'utensile asportando polvere, sporco o erba tagliata con un panno asciutto o immerso in acqua saponata e strizzato. Per evitare il surriscaldamento dell'utensile, accertarsi di rimuovere l'erba tagliata o i detriti depositati sull'apertura di scarico dell'utensile.

## Sostituzione del filo di nylon

**⚠AVVERTIMENTO:** Utilizzare esclusivamente fili di nylon con il diametro specificato nel presente manuale d'uso. Non utilizzare mai un filo più pesante, filo metallico, corda o simili. In caso contrario, si potrebbe danneggiare l'utensile e causare gravi lesioni personali.

**⚠AVVERTIMENTO:** Quando si intende sostituire il filo di nylon, rimuovere sempre la testina da taglio in nylon dall'utensile.

**⚠AVVERTIMENTO:** Accertarsi che la copertura della testina da taglio in nylon sia fissata correttamente all'alloggiamento, come descritto nel presente manuale d'uso. Il mancato fissaggio corretto della copertura potrebbe far volare via in pezzi la testina da taglio in nylon, causando gravi lesioni personali.

Sostituire il filo di nylon, qualora non fuoriesca più. Il modo per sostituire il filo di nylon varia a seconda del tipo di testina da taglio in nylon.

### 95-M10L

► Fig.56

### 96-M10L

► Fig.57

### 98-M10L

► Fig.58

### B&F ECO 4L

► Fig.59

### UN-74L, UN-72L

► Fig.60

## Tipo con fuoriuscita manuale

Quando il filo di nylon si accorcia, tirarlo fuori dall'occhiello e farlo fuoriuscire dall'altro occhiello.

► Fig.61

## Sostituzione della lama di plastica

Sostituire la lama di plastica, qualora sia usurata o rotta.

► Fig.62

Quando si installa la lama di plastica, allineare la direzione della freccia sulla lama con quella sulla protezione.

► Fig.63: 1. Freccia sulla protezione 2. Freccia sulla lama

## RISOLUZIONE DEI PROBLEMI

Prima di richiedere riparazioni, eseguire un'ispezione personalmente. Qualora si rilevi un problema che non è illustrato nel manuale, non tentare di smontare l'utensile. Rivolgersi, invece, a un centro di assistenza autorizzato Makita, utilizzando sempre pezzi di ricambio Makita per le riparazioni.

Stato di anomalia	Causa probabile (guasto)	Azione correttiva
Il motore non funziona.	La cartuccia della batteria non è installata.	Installare la cartuccia della batteria.
	Problema della batteria (sotto tensione)	Ricaricare la cartuccia della batteria. Qualora la ricarica non abbia effetto, sostituire la cartuccia della batteria.
	Il sistema di trasmissione non funziona correttamente.	Richiedere la riparazione a un centro di assistenza autorizzato locale.
Il motore si arresta dopo un breve utilizzo.	Il livello di carica della batteria è basso.	Ricaricare la cartuccia della batteria. Qualora la ricarica non abbia effetto, sostituire la cartuccia della batteria.
	Surriscaldamento.	Interrompere l'utilizzo dell'utensile per consentirgli di raffreddarsi.
L'utensile non raggiunge il numero massimo di giri al minuto.	La cartuccia della batteria non è installata correttamente.	Installare la cartuccia della batteria come descritto nel presente manuale.
	La carica della batteria si sta esaurendo.	Ricaricare la cartuccia della batteria. Qualora la ricarica non abbia effetto, sostituire la cartuccia della batteria.
	Il sistema di trasmissione non funziona correttamente.	Richiedere la riparazione a un centro di assistenza autorizzato locale.
L'utensile da taglio non gira: ⇒ arrestare immediatamente la macchina!	Un corpo estraneo, ad esempio un ramo, è incastrato tra la protezione e l'utensile da taglio.	Rimuovere il corpo estraneo.
	L'utensile da taglio è montato in modo allentato.	Serrare saldamente l'utensile da taglio.
	Il sistema di trasmissione non funziona correttamente.	Richiedere la riparazione a un centro di assistenza autorizzato locale.
Vibrazione anomala: ⇒ arrestare immediatamente la macchina!	Utensile da taglio rotto, piegato o usurato	Sostituire l'utensile da taglio.
	L'utensile da taglio è montato in modo allentato.	Serrare saldamente l'utensile da taglio.
	Il sistema di trasmissione non funziona correttamente.	Richiedere la riparazione a un centro di assistenza autorizzato locale.
Non si riesce ad arrestare l'utensile da taglio e il motore: ⇒ Scollegare immediatamente il gruppo di alimentazione portatile dall'utensile!	Malfunzionamento elettrico o elettronico.	Scollegare il gruppo di alimentazione portatile dall'utensile e richiedere la riparazione a un centro di assistenza autorizzato locale.

## ACCESSORI OPZIONALI

**⚠AVVERTIMENTO:** Utilizzare esclusivamente gli accessori o i componenti aggiuntivi consigliati indicati nel presente manuale. L'uso di qualsiasi altro accessorio o componente aggiuntivo potrebbe risultare in gravi lesioni personali.

**⚠ATTENZIONE:** Questi accessori o componenti aggiuntivi sono consigliati per l'uso con l'utensile Makita specificato nel presente manuale. L'impiego di altri accessori o componenti aggiuntivi può costituire un rischio di lesioni alle persone. Utilizzare gli accessori o i componenti aggiuntivi solo per il loro scopo prefissato.

Per ottenere ulteriori dettagli relativamente a questi accessori, rivolgersi a un centro di assistenza Makita.

- Lama da taglio
- Testina da taglio in nylon
- Filo di nylon (linea di taglio)
- Lama di plastica

- Protezione
- Batteria e caricabatterie originali Makita

**NOTA:** Alcuni articoli nell'elenco potrebbero essere inclusi nell'imballaggio dell'utensile come accessori standard. Tali articoli potrebbero variare da nazione a nazione.

## TECHNISCHE GEGEVENS

Model:		UR101C	UR201C
Type handgreep		Fietsstuurhandgreep	Beugelhandgreep
Nullasttoerental (op elk toerentalniveau)	Metalen snijblad Kunststof snijblad (305 mm)	3: 0 - 7.000 min <sup>-1</sup> 2: 0 - 5.500 min <sup>-1</sup> 1: 0 - 4.600 min <sup>-1</sup>	
	Nylondraad-snijkop Kunststof snijblad (255 mm)	3: 0 - 5.500 min <sup>-1</sup> 2: 0 - 5.000 min <sup>-1</sup> 1: 0 - 4.600 min <sup>-1</sup>	
Totale lengte (zonder snijgarnituur)		1.760 mm	1.795 mm
Diameter nylondraad		2,4 mm	
Geschikte snijgarnituur en maaidiameter	2-tands snijblad (onderdeelnr. 198345-9)	255 mm	
	3-tands snijblad (onderdeelnr. 195299-1)	255 mm	
	4-tands snijblad (onderdeelnr. 196895-8)	255 mm	
	Nylondraad-snijkop (onderdeelnr. 197993-1 / 191D90-9 / 1915D7-6)	430 mm	
	Kunststof snijblad (onderdeelnr. 198383-1) (onderdeelnr. 199868-0)	255 mm 305 mm	
Nominale spanning		Max. 36 V - 40 V gelijkspanning	
Netto gewicht		5,2 kg	4,7 kg
Beschermingsklasse		IPX4	

- In verband met ononderbroken research en ontwikkeling, behouden wij ons het recht voor de bovenstaande technische gegevens zonder voorafgaande kennisgeving te wijzigen.
- De technische gegevens kunnen van land tot land verschillen.
- Gewicht volgens EPTA-procedure 01/2014

### Aanbevolen bekabelde voedingsbron

Draagbare voedingseenheid	PDC01 / PDC1200 / PDC1500
---------------------------	---------------------------

- De hierboven vermelde bekabelde voedingsbron(nen) is/zijn mogelijk niet leverbaar afhankelijk van waar u woont.
- Alvorens de bekabelde voedingsbron te gebruiken, leest u de instructies en waarschuwingsopdrachten erop.

## Geluid

### Model UR101C

Snijgarnituur	Geluidsdruk niveau ( $L_{pA}$ ) dB(A)		Geluidsvermogen niveau ( $L_{WA}$ ) dB(A)		Toepasselijke norm
	( $L_{pA}$ ) dB(A)	Onzekerheid (K) dB(A)	( $L_{WA}$ ) dB(A)	Onzekerheid (K) dB(A)	
2-tands snijblad	81,7	0,5	93,9	0,8	ISO22868(ISO11806-1)
4-tands snijblad	83,0	0,3	97,6	0,2	ISO22868(ISO11806-1)
Nylondraad-snijkop	80,0	0,9	91,8	1,0	ISO22868(ISO11806-1)/ EN50636-2-91
Kunststof snijblad	78,0	1,0	87,4	0,7	ISO22868(ISO11806-1)/ EN50636-2-91

### Model UR201C

Snijgarnituur	Geluidsdrukniveau ( $L_{pA}$ ) dB(A)		Geluidsvermogeniveau ( $L_{WA}$ ) dB(A)		Toepasselijke norm
	( $L_{pA}$ ) dB(A)	Onzekerheid (K) dB(A)	( $L_{WA}$ ) dB(A)	Onzekerheid (K) dB(A)	
2-tands snijblad	81,7	0,5	93,9	0,8	ISO22868(ISO11806-1)
4-tands snijblad	83,0	0,3	97,6	0,2	ISO22868(ISO11806-1)
Nylondraad-snijkop	80,0	0,9	91,8	1,0	ISO22868(ISO11806-1)/ EN50636-2-91
Kunststof snijblad	78,0	1,0	87,4	0,7	ISO22868(ISO11806-1)/ EN50636-2-91

- Zelfs als het bovenvermelde geluidsdrukniveau 80 dB (A) of minder is, kan het niveau tijdens bedrijf hoger zijn dan 80 dB (A). Draag gehoorbescherming.

**OPMERKING:** De opgegeven geluidsemissiewaarde(n) is/zijn gemeten volgens een standaardtestmethode en kan/kunnen worden gebruikt om dit gereedschap te vergelijken met andere gereedschappen.

**OPMERKING:** De opgegeven geluidsemissiewaarde(n) kan/kunnen ook worden gebruikt voor een beoordeling vooraf van de blootstelling.

**⚠ WAARSCHUWING:** Draag gehoorbescherming.

**⚠ WAARSCHUWING:** De geluidsemissie tijdens het gebruik van het elektrisch gereedschap in de praktijk kan verschillen van de opgegeven waarde(n) afhankelijk van de manier waarop het gereedschap wordt gebruikt, met name van het soort werkstuk waarmee wordt gewerkt.

**⚠ WAARSCHUWING:** Zorg ervoor dat veiligheidsmaatregelen worden getroffen ter bescherming van de gebruiker die zijn gebaseerd op een schatting van de blootstelling onder praktijkomstandigheden (rekening houdend met alle fasen van de bedrijfscyclus, zoals de tijdsduur gedurende welke het gereedschap is uitgeschakeld en stationair draait, naast de ingeschakelde tijdsduur).

## Trillingen

Toepasselijke norm : ISO22867(ISO11806-1)

### Model UR101C

Snijgarnituur	Linkerhand		Rechterhand	
	$a_{h,w}$ ( $m/s^2$ )	Onzekerheid K ( $m/s^2$ )	$a_{h,w}$ ( $m/s^2$ )	Onzekerheid K ( $m/s^2$ )
2-tands snijblad	$\leq 2,5$	1,5	$\leq 2,5$	1,5
4-tands snijblad	$\leq 2,5$	1,5	$\leq 2,5$	1,5
Nylondraad-snijkop	$\leq 2,5$	1,5	$\leq 2,5$	1,5
Kunststof snijblad	$\leq 2,5$	1,5	$\leq 2,5$	1,5

### Model UR201C

Snijgarnituur	Linkerhand		Rechterhand	
	$a_{h,w}$ ( $m/s^2$ )	Onzekerheid K ( $m/s^2$ )	$a_{h,w}$ ( $m/s^2$ )	Onzekerheid K ( $m/s^2$ )
2-tands snijblad	$\leq 2,5$	1,5	$\leq 2,5$	1,5
4-tands snijblad	$\leq 2,5$	1,5	$\leq 2,5$	1,5
Nylondraad-snijkop	$\leq 2,5$	1,5	$\leq 2,5$	1,5
Kunststof snijblad	$\leq 2,5$	1,5	$\leq 2,5$	1,5

**OPMERKING:** De totale trillingswaarde(n) is/zijn gemeten volgens een standaardtestmethode en kan/kunnen worden gebruikt om dit gereedschap te vergelijken met andere gereedschappen.

**OPMERKING:** De opgegeven totale trillingswaarde(n) kan/kunnen ook worden gebruikt voor een beoordeling vooraf van de blootstelling.

**⚠️ WAARSCHUWING:** De trillingsemisatie tijdens het gebruik van het elektrisch gereedschap in de praktijk kan verschillen van de opgegeven waarde(n) afhankelijk van de manier waarop het gereedschap wordt gebruikt, met name van het soort werkstuk waarmee wordt gewerkt.

**⚠️ WAARSCHUWING:** Zorg ervoor dat veiligheidsmaatregelen worden getroffen ter bescherming van de gebruiker die zijn gebaseerd op een schatting van de blootstelling onder praktijkomstandigheden (rekening houdend met alle fasen van de bedrijfscyclus, zoals de tijdsduur gedurende welke het gereedschap is uitgeschakeld en stationair draait, naast de ingeschakelde tijdsduur).

## Symbolen

Hieronder staan de symbolen die voor het gereedschap kunnen worden gebruikt. Zorg ervoor dat u de betekenis ervan kent voordat u het gereedschap gaat gebruiken.



Wees vooral voorzichtig en let goed op.



Lees de gebruiksaanwijzing.



Houd minstens 15 meter afstand.



Gevaar: let op weggeworpen voorwerpen.



Voorzichtig: terugslag



Draag een veiligheidshelm, veiligheidsbril en gehoorbescherming.



Draag veiligheidshandschoenen.



Draag stevige schoenen met antislipzolen. Veiligheidsschoenen met stalen neuzen worden aanbevolen.



Alleen voor EU-landen  
Als gevolg van de aanwezigheid van schadelijke componenten in het apparaat, kunnen oude elektrische en elektronische apparaten, accu's en batterijen negatieve gevolgen hebben voor het milieu en de gezondheid van mensen.

Gooi elektrische en elektronische apparaten en accu's niet met het huisvuil weg! In overeenstemming met de Europese richtlijn inzake oude elektrische en elektronische apparaten en inzake accu's en batterijen en oude accu's en batterijen, alsmede de toepassing daarvan binnen de nationale wetgeving, dienen oude elektrische apparaten, accu's en batterijen gescheiden te worden opgeslagen en te worden ingeleverd bij een apart inzamelingspunt voor huishoudelijk afval dat de milieubeschermingsvoorschriften in acht neemt.

Dit wordt op het apparaat aangegeven door het symbool van een doorgekruiste afvalcontainer.



Gegarandeerd geluidsvermogensniveau conform EU-richtlijn inzake geluidsemisatie buitenhuis.



Geluidsvermogensniveau conform de Regelgeving Geluidsregeling van NSW, Australië

## Verklaringen van conformiteit

### Alleen voor Europese landen

De verklaringen van conformiteit zijn bijgevoegd in Bijlage A bij deze gebruiksaanwijzing.

## VEILIGHEIDSWAARSCHUWINGEN

### Algemene veiligheids waarschuwingen voor elektrisch gereedschap

**⚠️ WAARSCHUWING** Lees alle veiligheids waarschuwingen, instructies, afbeeldingen en technische gegevens die bij dit elektrisch gereedschap worden geleverd. Als niet alle onderstaande instructies worden opgevolgd, kan dat leiden tot een elektrische schok, brand en/of ernstig letsel.

### Bewaar alle waarschuwingen en instructies om in de toekomst te kunnen raadplegen.

De term "elektrisch gereedschap" in de veiligheidsvoor- schriften duidt op gereedschappen die op stroom van het lichtnet werken (met snoer) of gereedschappen met een accu (snoerloos).

### Belangrijke veiligheidsinstructies voor het gereedschap

**⚠️ WAARSCHUWING:** U dient deze gebruiksaanwijzing en de gebruiksaanwijzing van de draagbare voedingseenheid die u met dit gereedschap gaat gebruiken, te lezen en volledig te begrijpen. Het niet volgen van de waarschuwingen en instructies kan leiden tot elektrische schokken, brand en/of ernstig letsel.

**⚠️ WAARSCHUWING:** Lees alle veiligheids waarschuwingen en alle instructies. Het niet volgen van de waarschuwingen en instructies kan leiden tot elektrische schokken, brand en/of ernstig letsel.

### Bewaar alle waarschuwingen en instructies om in de toekomst te kunnen raadplegen.

## Gebruiksdoeleinden

1. Dit gereedschap is uitsluitend bedoeld voor het maaien van gras, onkruid, struiken en ondergroei. Het mag niet worden gebruikt voor enig ander doel, zoals kanten snijden en heggen snoeien, aangezien dit tot letsel kan leiden.

## Algemene instructies

1. Laat in geen geval personen die deze gebruiksaanwijzing niet gelezen hebben, personen (waaronder kinderen) met een verminderd lichamelijk, zintuiglijk of geestelijk vermogen, of gebrek aan kennis en ervaring, het gereedschap gebruiken. Kinderen dienen onder toezicht te staan om ervoor te zorgen dat zij niet met het gereedschap spelen.
2. Lees alvorens het gereedschap te starten deze gebruiksaanwijzing om u bekend te maken met de juiste manier van omgaan met het gereedschap.
3. Leen het gereedschap niet uit aan een persoon met onvoldoende ervaring met of kennis van het omgaan met bosmaaiers en graskantmaaiers.
4. Wanneer u het gereedschap uitleent, geeft u altijd deze gebruiksaanwijzing erbij.
5. Hanteer het gereedschap met de hoogstmogelijke zorg en aandacht.
6. Gebruik het gereedschap nooit na het gebruik van alcohol of drugs, of wanneer u zich moe of ziek voelt.
7. Probeer nooit het gereedschap te wijzigen.
8. Houd u aan de regelgeving zoals die in uw land geldt voor het hanteren van bosmaaiers en graskantmaaiers.

## Persoonlijke-veiligheidsmiddelen

### ► Fig.1

1. Draag een veiligheidshelm, veiligheidsbril en veiligheidshandschoenen om uzelf te beschermen tegen rondvliegend afval en vallende voorwerpen.
2. Draag gehoorbescherming, zoals oorkappen, om gehoorschade te voorkomen.
3. Draag geschikte kleding en schoenen waarmee veilig kan worden gewerkt, zoals een werkoverall en stevige schoenen met antislipzolen. Draag geen loshangende kleding of sieraden. Loshangende kleding, sieraden en lang haar kunnen verstrikt raken in bewegende delen.
4. Trek veiligheidshandschoenen aan voordat u het metalen snijblad aanraakt. Een metalen snijblad kan flinke snijwonden veroorzaken in blote handen.

## Veiligheid op de werkplek

1. Bedien het gereedschap alleen bij goed zicht en daglicht. Bedien het gereedschap niet in het donker of in mist.
2. Gebruik het gereedschap niet in een omgeving waar explosiegevaar bestaat door licht ontvlambare vloeistoffen, gas, damp of stof. Het

gereedschap produceert vonken die de dampen of het stof kunnen ontsteken.

3. Tijdens gebruik mag u nooit op een instabiele of gladde ondergrond of op een steile helling staan. Let in de winter op ijs en sneeuw, en zorg er altijd voor dat u stevig staat.
4. Houd tijdens gebruik omstanders en dieren ten minste 15 meter uit de buurt van het gereedschap. Zet het gereedschap uit zodra iemand dichterbij komt.
5. Gebruik het gereedschap nooit wanneer mensen, met name kinderen, of huisdieren zich in de buurt bevinden.
6. Onderzoek het werkgebied op stenen en andere massieve voorwerpen voordat u met de werkzaamheden begint. Deze kunnen worden opgeworpen of gevaarlijke terugslag veroorzaken en leden tot ernstig letsel en/of materiële schade.
7. **⚠WAARSCHUWING:** Het gebruik van dit gereedschap kan stof opwerpen waarin chemische bestanddelen kunnen zitten die ziekten aan de luchtwegen of andere ziekten kunnen veroorzaken. Enkele voorbeelden van deze chemische bestanddelen zijn verbindingen die gevonden worden in pesticiden, insecticiden, meststoffen en herbiciden. Het gevaar van blootstelling hangt af van hoe vaak u dit soort werk uitvoert. Om blootstelling aan deze chemicaliën tot een minimum te beperken, dient u in een goed geventileerde omgeving te werken en gebruik te maken van goedgekeurde veiligheidsmiddelen zoals stofmaskers die speciaal ontworpen zijn voor het filteren van microscopische deeltjes.

## Elektrische veiligheid en accu

1. Stel het gereedschap niet bloot aan regen of natte omstandigheden. Als water binnendringt in het gereedschap, wordt de kans op een elektrische schok groter.
2. Gebruik het gereedschap niet als het niet kan worden in- en uitgeschakeld met de schakelaar. Ieder gereedschap dat niet met de schakelaar kan worden bediend is gevaarlijk en moet eerst worden gerepareerd.
3. Voorkom onbedoeld starten. Controleer of de schakelaar in de uit-stand staat voordat u het gereedschap oppakt of draagt. Door het gereedschap te dragen met uw vinger op de schakelaar, of door het gereedschap op een voeding aan te sluiten terwijl de schakelaar aan staat, neemt de kans op ongevallen sterk toe.
4. Werp de accu('s) niet in een vuur. De accu kan exploderen. Raadpleeg de lokale regelgeving voor mogelijke speciale verwerkingsvereisten.
5. Open of vervorm de accu('s) niet. Het elektrolyt is agressief en kan letsel toebrengen aan de ogen en huid. Het kan giftig zijn bij inslikken.
6. Laad de accu niet op in de regen of op een natte plaats.
7. Vervang de accu niet met natte handen.
8. Vervang de accu niet in de regen.
9. Laat de aansluitpunten van de accu niet nat worden met een vloeistof, zoals water, en

**dompel de accu niet onder. Laat de accu niet in de regen liggen en laad of berg de accu niet op een vochtige of natte plaats op.** Als de aansluitpunten nat worden of vloeistof binnendringt in de accu, kan kortsluiting ontstaan in de accu en bestaat de kans op oververhitting, brand of explosie.

10. **Steek de stekker niet in de aansluiting van de draagbare voedingseenheid, en trek hem er niet uit, in de regen of onder natte omstandigheden. U mag het gereedschap en de draagbare voedingseenheid niet in de regen of op een vochtige of natte plaats achterlaten, gebruiken of opbergen.** Als u dat doet, kan een elektrische schok worden veroorzaakt.
11. **Nadat de accu vanaf de draagbare voedingseenheid of de acculader is verwijderd, vergeet u niet het accudeksel op de accu te bevestigen en deze op een droge plaats op te bergen.**
12. **Als de accu nat wordt, laat u het water eruit lopen en veegt u hem af met een droge doek. Laat de accu volledig drogen op een droge plaats voordat u hem gebruikt.**

## In gebruik nemen

1. **Alvorens het gereedschap te monteren of af te stellen, koppelt u de draagbare voedingseenheid los van het gereedschap.**
2. **Trek veiligheidshandschoenen aan voordat u het metalen snijblad hanteert.**
3. **Voordat u de draagbare voedingseenheid aansluit op het gereedschap, inspecteert u het gereedschap op beschadigingen, losse bouten/moeren en verkeerde montage. Slijp het metalen snijblad als het bot is. Als het metalen snijblad verbogen of beschadigd is, vervangt u hem. Controleer of alle bedieningshendels en -schakelaars gemakkelijk kunnen worden bediend. Maak de handgrepen schoon en droog.**
4. **Probeer nooit het gereedschap in te schakelen als het beschadigd of nog niet volledig gemonteerd is. Anders kan ernstig letsel ontstaan.**
5. **Stel het schouderdraagstel en de handgreep af op de lichaamsgrootte van de gebruiker.**
6. **Wanneer u de draagbare voedingseenheid aansluit op het gereedschap, houdt u het snijgarnituur uit de buurt van uw lichaam en andere voorwerpen, waaronder de grond. Dit kan bij het inschakelen gaan draaien en persoonlijk letsel, schade aan het gereedschap en/of materiële schade veroorzaken.**
7. **Verwijder alle verstelsleutels, -tangen en schede voordat u het gereedschap inschakelt. Een accessoire dat nog aan een draaiend deel van het gereedschap vastzit, kan persoonlijk letsel veroorzaken.**
8. **Het snijgarnituur moet zijn uitgerust met een beschermkap. Gebruik het gereedschap nooit met een beschadigde beschermkap of zonder aangebrachte beschermkap!**
9. **Verzeker u ervan dat er geen elektriciteitskabels, waterleidingen, gasleidingen, enz. zijn die een gevaarlijke situatie zouden kunnen**

**veroorzaken als ze worden beschadigd door het gebruik van dit gereedschap.**

## Gebruik

1. **In geval van nood zet u het gereedschap onmiddellijk uit.**
2. **Als u tijdens gebruik enige ongebruikelijke situatie opmerkt (bijv. geluid, trillingen), schakelt u het gereedschap uit en koppelt u de draagbare voedingseenheid los van het gereedschap. Gebruik het gereedschap niet meer totdat de oorzaak is opgespoord en verholpen.**
3. **Het snijgarnituur blijft nog een korte tijd draaien nadat het gereedschap is uitgeschakeld. Raak het snijgarnituur niet onmiddellijk aan.**
4. **Gebruik tijdens het werk het schouderdraagstel. Houd het gereedschap stevig tegen uw rechterzij.**
5. **Reik niet te ver. Zorg altijd voor een stevige stand en goede lichaamsbalans. Kijk uit voor verborgen obstakels, zoals boomstronken, boomwortels en greppels, om te voorkomen dat u valt.**
6. **Zorg dat u stevig staat op hellingen.**
7. **Loop gewoon en ren niet.**
8. **Werk nooit op een ladder of in een boom om te voorkomen dat u de controle over het gereedschap verliest.**
9. **Nadat tegen het gereedschap is gestoten of het is gevallen, controleert u de staat ervan voordat u de werkzaamheden hervat. Controleer de bedieningselementen en veiligheidsvoorzieningen op een juiste werking. Als enige beschadiging zichtbaar is of u twijfelt, vraagt u ons erkende servicecentrum om inspectie en reparatie.**
10. **Raak het tandwielhuis niet aan tijdens en onmiddellijk na gebruik. Het tandwielhuis wordt tijdens gebruik erg warm en kan brandwonden veroorzaken.**
11. **Neem een pauze om te voorkomen dat u door vermoeidheid de controle over het gereedschap verliest. Wij adviseren u ieder uur 10 tot 20 minuten te rusten.**
12. **Wanneer u het gereedschap achterlaat, al is het maar even, koppelt u altijd de draagbare voedingseenheid los van het gereedschap. Een onbeheerd gereedschap met een aangebrachte accu kan door onbevoegden worden gebruikt en tot een ernstig ongeval leiden.**
13. **Als gras of takken bekneld raken tussen het snijgarnituur en de beschermkap, schakelt u altijd het gereedschap uit en koppelt u de draagbare voedingseenheid los van het gereedschap. Als u dat niet doet, kan het snijgarnituur onbedoeld gaan ronddraaien en ernstig letsel veroorzaken.**
14. **Raak gevaarlijke, bewegende delen nooit aan voordat de gevaarlijke, bewegende delen volledig tot stilstand zijn gekomen en de draagbare voedingseenheid is losgekoppeld van het gereedschap.**

15. Als het snijgarnituur een steen of ander hard voorwerp raakt, schakelt u het gereedschap onmiddellijk uit. Koppel daarna de draagbare voedingseenheid los van het gereedschap en inspecteer het snijgarnituur.
16. Controleer het snijgarnituur tijdens gebruik veelvuldig op barsten of beschadigingen. Voordat u inspecteert, koppelt u de draagbare voedingseenheid los van het gereedschap en verzekert u zich ervan dat het snijgarnituur volledig tot stilstand is gekomen. Vervang een beschadigd snijgarnituur onmiddellijk, ook wanneer het slechts oppervlakkige barsten vertoont.
17. Werk nooit boven heuphoogte.
18. Nadat u het gereedschap hebt ingeschakeld, wacht u tot het snijgarnituur een constant toerental heeft bereikt alvorens het maaien te starten.
19. Bij gebruik van een metalen snijblad, zwaait u het gereedschap gelijkmatig in halve cirkels van rechts naar links, zoals een zeis wordt gebruikt.
20. Houd het elektrisch gereedschap alleen vast bij het geïsoleerde oppervlak omdat het metalen snijblad met verborgen bedrading in aanraking kan komen. Wanneer het metalen snijblad in aanraking komt met onder spanning staande draden, zullen de niet-geïsoleerde metalen delen van het gereedschap onder spanning komen te staan zodat de gebruiker een elektrische schok kan krijgen.
21. Schakel het gereedschap niet in wanneer gemaaid gras verstrikt is geraakt rondom het metalen snijblad.
22. Alvorens het gereedschap in te schakelen, verzekert u zich ervan dat het gereedschap niet de grond of andere obstakels, zoals een boom, raakt.
23. Houd tijdens gebruik het gereedschap altijd met twee handen vast. Houd het gereedschap tijdens het gebruik nooit met slechts één hand vast.
24. Gebruik het gereedschap niet wanneer de kans op bliksem bestaat.
25. Als u het gereedschap op een modderige ondergrond, natte helling of gladde plaats gebruikt, let u erop dat u stevig staat.
26. Vermijd werken in een ongunstige omgeving waarin een verhoogde vermoeidheid van de gebruiker kan worden verwacht.
27. Gebruik het gereedschap niet bij slecht weer waarin het zicht beperkt is. Als u zich hier niet aan houdt, kan dat een val of verkeerde bediening veroorzaken als gevolg van het slechte zicht.
28. Dompel het gereedschap niet onder in een waterplas.
29. Laat het gereedschap niet onbeheerd buiten in de regen staan.
30. Wanneer natte bladeren of vuil blijft kleven aan de aanzuigmond (ventilatieopening) als gevolg van de regen, verwijdert u deze.
31. Gebruik het gereedschap niet in de sneeuw.

## Snijgarnituren

1. Gebruik geen snijgarnituur dat niet is aanbevolen door Makita.
2. Gebruik een geschikt snijgarnituur voor de geplande werkzaamheden.
  - Nylondraad-snijkoppen (graskantmaaierkoppen) en kunststof snijbladen zijn geschikt voor het maaien van gazongras.
  - Metalen snijbladen zijn geschikt voor het maaien van onkruiden, hoog gras, struiken, heesters, ondergroei, bosjes en dergelijke.
  - Gebruik nooit andere snijbladen, waaronder metalen meerdelige kettingen en vlegelmessen. Dit kan leiden tot ernstig letsel.
3. Gebruik uitsluitend een snijgarnituur dat is gemarkeerd met een toerental dat gelijk is aan of hoger is dan het toerental aangegeven op het gereedschap.
4. Houd altijd uw handen, gezicht en kleding uit de buurt van het snijgarnituur wanneer dit ronddraait. Als u dit niet doet, kan persoonlijk letsel ontstaan.
5. Gebruik altijd de beschermkap van het snijgarnituur die geschikt is voor het snijgarnituur dat u gebruikt.
6. Voorkom bij gebruik van een metalen snijblad dat terugslag kan optreden en wees altijd voorbereid op per ongeluk optredende terugslag. Raadpleeg de tekst onder het kopje Terugslag.
7. Als het gereedschap niet in gebruik is, brengt u altijd de schede aan om het snijblad. Verwijder de schede vóór gebruik.

## Terugslag (stoot van het snijblad)

1. Terugslag (stoot van het snijblad) is een plotselinge reactie op een klemmend of vastgelopen metalen snijblad. Zodra dit optreedt wordt het gereedschap met grote kracht zijwaarts of in de richting van de gebruiker geworpen en kan het ernstig letsel veroorzaken.
2. Terugslag treedt met name op wanneer u met het snijbladsegment tussen 12 en 2 uur tegen een hard voorwerp, struiken en takken met een diameter van 3 cm of meer komt.

### ► Fig.2

3. Om terugslag te voorkomen:
  1. Gebruik het snijbladsegment tussen 8 en 11 uur.
  2. Gebruik nooit het snijbladsegment tussen 12 en 2 uur.
  3. Gebruik het snijbladsegment nooit tussen 11 en 12 uur en tussen 2 en 5 uur, behalve indien de gebruiker goed opgeleid is en erg ervaren is en dit onder zijn/haar eigen verantwoordelijkheid doet.
  4. Gebruik het metalen snijblad nooit dichtbij harde voorwerpen, zoals afrasteringen, muren, boomstammen en stenen.
  5. Houd het metalen snijblad nooit verticaal voor werkzaamheden zoals kanten snijden of heggen snoeien.

### ► Fig.3



## Trillingen

1. **Mensen met een slechte bloedsomloop die worden blootgesteld aan sterke trillingen, kunnen verwondingen aan bloedvaten of het zenuwstelsel oplopen.** Trillingen kunnen de volgende symptomen veroorzaken in de vingers, handen of polsen: 'Slapen' (gevoelloosheid), tintelen, pijn, stekend gevoel, verandering van huidskleur of van de huid. Als een van deze symptomen zich voordoet, raadpleegt u uw huisarts!
2. **Om de kans op 'witte-vingerziekte' te verkleinen, houdt u uw handen warm tijdens het werk en onderhoudt u het gereedschap en de accessoires goed.**

## Vervoeren

1. **Voordat u het gereedschap vervoert, schakelt u het uit en koppelt u de draagbare voedingseenheid los van het gereedschap. Breng de schede aan om het metalen snijblad.**
2. **Wanneer u het gereedschap vervoert, draagt u het horizontaal door de schacht vast te pakken.**
3. **Wanneer u het gereedschap in een voertuig vervoert, zet u het goed vast om te voorkomen dat het omvalt.** Als u dat niet doet, kan het gereedschap en andere bagage beschadigd worden.

## Onderhoud

1. **Laat uw gereedschap onderhouden door ons erkende servicecentrum met gebruikmaking van uitsluitend originele vervangingsonderdelen.** Een verkeerde reparatie of slecht onderhoud kan de levensduur van het gereedschap verkorten en de kans op ongelukken vergroten.
2. **Voordat u enige onderhouds-, reparatie- of reinigingswerkzaamheden uitvoert aan het gereedschap, schakelt u het altijd uit en koppelt u de draagbare voedingseenheid los van het gereedschap.**
3. **Draag altijd veiligheidshandschoenen wanneer u het metalen snijblad hanteert.**
4. **Verwijder altijd stof en vuil vanaf het gereedschap. Gebruik voor dit doel nooit benzine, wasbenzine, thinner, alcohol, enz.** Dit kan leiden tot verkleuren, vervormen of barsten van de kunststofdelen.
5. **Draai na ieder gebruik alle schroeven, bouten en moeren vast.**
6. **Probeer geen onderhouds- of reparatiewerkzaamheden uit te voeren die niet in de gebruiksaanwijzing worden beschreven. Vraag ons erkend servicecentrum om dergelijke werkzaamheden uit te voeren.**
7. **Gebruik altijd uitsluitend onze originele vervangingsonderdelen en accessoires.** Als u onderdelen of accessoires van derden gebruikt, kan het gereedschap defect raken, eigendommen worden beschadigd en/of ernstig letsel worden veroorzaakt.
8. **Verzoek regelmatig ons erkend servicecentrum om het gereedschap te inspecteren en te onderhouden.**

9. **Houd het gereedschap altijd in goed werkende staat.** Slecht onderhoud kan leiden tot ondermaatse prestaties en de levensduur van het gereedschap verkorten.
10. **Was het gereedschap niet met water onder hoge druk.**
11. **Wanneer u het gereedschap wast, zorgt u ervoor dat geen water kan binnendringen in de elektrische delen, zoals de motor en aansluitingen.**
12. **Wanneer u het gereedschap opbergt, vermijdt u direct zonlicht en regen, en bergt u het op een plaats op die niet heet of vochtig wordt.**
13. **Voer inspectie en onderhoud uit op een plaats waar regen kan worden vermeden.**
14. **Nadat u het gereedschap hebt gebruikt, verwijdert u het aanklevende vuil en laat u het gereedschap volledig drogen voordat u hem opbergt.** Afhankelijk van het seizoen of gebied, bestaat de kans op een storing als gevolg van bevriezing.
15. **Zorg ervoor dat alle koelluchtinlaten vrij zijn van vuil.**

## Opslag

1. **Alvorens het gereedschap op te bergen, voert u alle reinigings- en onderhoudswerkzaamheden uit. Koppel de draagbare voedingseenheid los van het gereedschap. Breng de schede aan om het metalen snijblad.**
2. **Berg het gereedschap op een droge en hoge of afgesloten plaats op, buiten het bereik van kinderen.**
3. **Laat het gereedschap nooit ergens tegenaan leunen, zoals tegen een muur.** Als u dit doet, kan het plotseling vallen en letsel veroorzaken.

## Eerste hulp

1. **Zorg dat er altijd een EHBO-does in de buurt is. Vervang onmiddellijk elk item dat uit de EHBO-does is genomen.**
2. **Geef de volgende informatie wanneer u om hulp vraagt:**
  - Plaats van het ongeval
  - Beschrijving van het ongeval
  - Aantal gewonden
  - Aard van het letsel
  - Uw naam

## Belangrijke veiligheidsinstructies voor een accu

1. **Lees alle voorschriften en waarschuwingen op (1) de acculader, (2) de accu, en (3) het product waarvoor de accu wordt gebruikt, alvorens de accu in gebruik te nemen.**
2. **Haal de accu niet uit elkaar en saboteer hem niet.** Dit kan leiden tot brand, buitensporige hitte of een explosie.
3. **Als de gebruikstijd van een opgeladen accu aanzienlijk korter is geworden, moet u het gebruik ervan onmiddellijk stopzetten.** Voortgezet gebruik kan oververhitting,

**brandwonden en zelfs een ontploffing veroorzaken.**

4. Als elektrolyt in uw ogen is terechtgekomen, spoelt u uw ogen met schoon water en roept u onmiddellijk de hulp van een dokter in. Elektrolyt in de ogen kan blindheid veroorzaken.
5. Voorkom kortsluiting van de accu:
  - (1) Raak de accuklemmen nooit aan met een geleidend materiaal.
  - (2) Bewaar de accu niet in een bak waarin andere metalen voorwerpen zoals spijkers, munten e.d. worden bewaard.
  - (3) Stel de accu niet bloot aan water of regen.**Kortsluiting van de accu kan oorzaak zijn van een grote stroomafgifte, oververhitting, brandwonden, en zelfs defecten.**
6. Bewaar en gebruik het gereedschap en de accu niet op plaatsen waar de temperatuur kan oplopen tot 50 °C of hoger.
7. Werp de accu nooit in het vuur, ook niet wanneer hij zwaar beschadigd of volledig versleten is. De accu kan ontploffen in het vuur.
8. Laat de accu niet vallen, sla er geen spijker in, snijd er niet in, gooi er niet mee en stoot hem niet tegen een hard voorwerp. Dergelijke handelingen kunnen leiden tot brand, buitensporige hitte of een explosie.
9. Gebruik nooit een beschadigde accu.
10. De bijgeleverde lithium-ionbatterijen zijn onderhevig aan de vereisten in de wetgeving omtrent gevaarlijke stoffen.

Voor commercieel transport en dergelijke door derden en transporteurs moeten speciale vereisten ten aanzien van verpakking en etikettering worden nageleefd.

Als voorbereiding van het artikel dat wordt getransporteerd is het noodzakelijk een expert op het gebied van gevaarlijke stoffen te raadplegen. Houd u tevens aan mogelijk strengere nationale regelgeving.

Blootliggende contactpunten moeten worden afgedekt met tape en de accu moet zodanig worden verpakt dat deze niet kan bewegen in de verpakking.
11. Wanneer u de accu wilt weggooiën, verwijdert u de accu vanaf het gereedschap en gooit u hem op een veilige manier weg. Volg bij het weggooiën van de accu de plaatselijke voorschriften.
12. Gebruik de accu's uitsluitend met de gereedschappen die door Makita zijn aanbevolen. Als de accu's worden aangebracht in niet-compatibele gereedschappen, kan dat leiden tot brand, buitensporige warmteontwikkeling, een explosie of

lekkage van elektrolyt.

13. Als u het gereedschap gedurende een lange tijd niet denkt te gaan gebruiken, moet de accu vanaf het gereedschap worden verwijderd.
14. Tijdens en na gebruik, kan de accu heet worden waardoor brandwonden of koude brandwonden kunnen worden veroorzaakt. Wees voorzichtig bij het hanteren van een hete accu.
15. Raak de aansluitpunten van het gereedschap niet onmiddellijk na gebruik aan omdat deze heet genoeg kunnen zijn om brandwonden te veroorzaken.
16. Zorg ervoor dat geen steenslag, stof of grond vast komt te zitten op/in de aansluitpunten, openingen en groeven van de accu. Hierdoor kan oververhitting, brand, een barst en een storing in het gereedschap of de accu ontstaan waardoor brandwonden of persoonlijk letsel kunnen ontstaan.
17. Behalve indien gebruik van het gereedschap is toegestaan in de buurt van hoogspanningsleidingen, mag u de accu niet gebruiken in de buurt van een hoogspanningsleiding. Dit kan leiden tot een storing of een defect van het gereedschap of de accu.
18. Houd de accu uit de buurt van kinderen.

## Bewaar deze instructies.

**⚠ LET OP:** Gebruik uitsluitend originele Makita accu's. Het gebruik van niet-originele accu's, of accu's die zijn gewijzigd, kan ertoe leiden dat de accu ontploft en brand, persoonlijk letsel en schade veroorzaakt. Ook vervalt daarmee de garantie van Makita op het gereedschap en de lader van Makita.

## Tips voor een maximale levensduur van de accu

1. Laad de accu op voordat hij volledig ontladen is. Stop het gebruik van het gereedschap en laad de accu op telkens wanneer u vaststelt dat het vermogen van het gereedschap is afgenomen.
2. Laad een volledig opgeladen accu nooit opnieuw op. Te lang opladen verkort de levensduur van de accu.
3. Laad de accu op bij een omgevingstemperatuur tussen 10 °C en 40 °C. Laat een warme accu afkoelen alvorens hem op te laden.
4. Als de accu niet wordt gebruikt, verwijdert u hem vanaf het gereedschap of de lader.
5. Laad de accu op als u deze gedurende een lange tijd (meer dan zes maanden) niet gaat gebruiken.

## BESCHRIJVING VAN DE ONDERDELEN

► Fig.4

1	Toerentallampjes	2	ADT-lampje (ADT = Automatic Torque Drive Technology (technologie met automatische koppelaandrijving))	3	Waarschuwinglampje	4	Aan-uitknop
5	Omkeerknop	6	Stekker	7	Uit-vergrendelknop	8	Trekkerschakelaar
9	Bevestigingsoog	10	Handgreep	11	Beschermstang	12	Knop
13	Beschermkap	14	Verlengstuk van de beschermkap (voor nylondraad-snijknop/kunststof snijblad)	15	Draagband	-	-

## BESCHRIJVING VAN DE FUNCTIES

**⚠ WAARSCHUWING:** Zorg er altijd voor dat het gereedschap is uitgeschakeld en dat de draagbare voedingseenheid is losgekoppeld van het gereedschap voordat u de werking van het gereedschap afstelt of controleert. Als het gereedschap niet wordt uitgeschakeld en de draagbare voedingseenheid niet wordt losgekoppeld van het gereedschap, kan dat na per ongeluk starten leiden tot ernstig persoonlijk letsel.

### Gereedschap-/accubeveiligingssysteem

Het gereedschap is uitgerust met een gereedschap-/accubeveiligingssysteem. Dit systeem schakelt automatisch de voeding naar de motor uit om de levensduur van het gereedschap en de accu te verlengen. Het gereedschap kan tijdens het gebruik automatisch stoppen als het gereedschap aan één van de volgende omstandigheden wordt blootgesteld:

Waarschuwinglampje			Status
Kleur	● Aan	Ⓢ Knippert	
Groen	Ⓢ		Overbelast
Rood	● (gereedschap) / Ⓢ (accu)		Oververhit
Rood	Ⓢ		Te ver ontladen

### Overbelastingsbeveiliging

Als een van de volgende situaties zich voordoet met het gereedschap, stopt het gereedschap automatisch en gaat het waarschuwinglampje groen knipperen:

- Het gereedschap wordt overbelast door verstrikt geraakt onkruid of ander vuil.
- Het snijgarantuur wordt geblokkeerd of slaat terug.
- De aan-uitknop wordt ingeschakeld terwijl de trekkerschakelaar ingeknepen is.

Laat in die situatie de trekkerschakelaar los en verwijder zo nodig verstrikt geraakte onkruiden of vuil. Knijp daarna de trekkerschakelaar weer in om het gebruik te hervatten.

**⚠ LET OP:** Als u de verstrikt geraakte onkruiden vanaf het gereedschap wilt verwijderen of het geblokkeerde snijgarantuur wilt vrijmaken, moet u het gereedschap uitschakelen voordat u begint.

### Oververhittingsbeveiliging voor het gereedschap of de accu

Als het gereedschap of de accu oververhit is, stopt het gereedschap automatisch. Wanneer het gereedschap oververhit is, brandt het waarschuwinglampje rood. Wanneer de accu oververhit is, knippert het waarschuwinglampje rood. Laat het gereedschap en/of de accu afkoelen alvorens het gereedschap weer in te schakelen.

### Beveiliging tegen te ver ontladen

Als de acculading laag wordt, stopt het gereedschap automatisch en gaat het waarschuwinglampje rood knipperen.

Als het gereedschap niet werkt, ook niet wanneer de schakelaars worden bediend, verwijdert u de accu vanaf het gereedschap en laadt u hem op.

### Hoofdschakelaar

Tik op de aan-uitknop om het gereedschap in te schakelen.

Om het gereedschap uit te schakelen, houdt u de aan-uitknop ingedrukt totdat de toerentallampjes uit gaan.

► **Fig.5:** 1. Toerentallampjes 2. Aan-uitknop

**OPMERKING:** Het gereedschap wordt automatisch uitgeschakeld nadat het gedurende een bepaalde tijdsduur niet is bediend.

## De trekkerschakelaar gebruiken

**⚠ WAARSCHUWING:** Voor uw veiligheid is dit gereedschap uitgerust met een uit-vergrendelknop die voorkomt dat het gereedschap onbedoeld start. Gebruik het gereedschap **NOOIT** wanneer het start door alleen de trekkerschakelaar in te knijpen zonder de uit-vergrendelknop in te drukken. Stuur het gereedschap naar ons erkende servicecentrum voor deugdelijke reparatie **ZONDER** het verder te gebruiken.

**⚠ WAARSCHUWING:** U mag **NOOIT** het doel of de werking van de uit-vergrendelknop teniet doen of deze vastplakken.

**⚠ LET OP:** Voordat u de draagbare voedingseenheid aansluit op het gereedschap, controleert u altijd of de trekkerschakelaar correct werkt en na loslaten terugkeert naar de uit-stand. Het gebruik van een gereedschap met een schakelaar die niet goed werkt, kan leiden tot verlies van controle en ernstig persoonlijk letsel.

**⚠ LET OP:** Plaats uw vinger nooit op de aan-uitknop en de trekkerschakelaar wanneer u het gereedschap draagt. Het gereedschap kan onbedoeld starten en letsel veroorzaken.

**KENNISGEVING:** Knijp de trekkerschakelaar niet hard in zonder de uit-vergrendelknop in te drukken. Hierdoor kan de schakelaar kapot gaan.

Om te voorkomen dat de trekkerschakelaar per ongeluk wordt bediend, is een uit-vergrendelknop aangebracht. Om het gereedschap te starten, houdt u de uit-vergrendelknop ingedrukt en knijpt u de trekkerschakelaar in. De snelheid van het gereedschap neemt toe naarmate u meer druk uitoefent op de trekkerschakelaar. Laat de trekkerschakelaar los om te stoppen.

### UR101C

► Fig.6: 1. Uit-vergrendelknop 2. Trekkerschakelaar

### UR201C

► Fig.7: 1. Uit-vergrendelknop 2. Trekkerschakelaar

## Toerentalregeling

U kunt het toerental van het gereedschap selecteren door op de aan-uitknop te tikken. Bij elke tik op de aan-uitknop, verandert het toerental. Het gereedschap stelt het toerental automatisch af op het snijgarntuur dat is bevestigd op het gereedschap.

► Fig.8: 1. Toerentallampjes 2. Aan-uitknop

Toerental-lampjes	Functie	Toerental	
		Metalen snijblad Kunststof snijblad (305 mm)	Nylondraad-snijknop Kunststof snijblad (255 mm)
3	Hoog	0 - 7.000 min <sup>-1</sup>	0 - 5.500 min <sup>-1</sup>
2			
1			

Toerental-lampjes	Functie	Toerental	
		Metalen snijblad Kunststof snijblad (305 mm)	Nylondraad-snijknop Kunststof snijblad (255 mm)
3	Gemiddeld	0 - 5.500 min <sup>-1</sup>	0 - 5.000 min <sup>-1</sup>
2			
1	Laag	0 - 4.600 min <sup>-1</sup>	0 - 4.600 min <sup>-1</sup>

## Technologie met automatische koppelaandrijving

Wanneer u de technologie met automatische koppelaandrijving (ADT) inschakelt, draait het gereedschap met het optimale toerental en koppel voor de omstandigheden waaronder het gras wordt gemaaid. Het gereedschap detecteert automatisch het snijgarntuur dat is bevestigd en kiest een geschikt toerental.

Om ADT in te schakelen, houdt u de omkeerknop ingedrukt totdat het ADT-lampje gaat branden.

Om ADT uit te schakelen, houdt u de omkeerknop ingedrukt totdat het ADT-lampje uit gaat.

► Fig.9: 1. ADT-lampje 2. Omkeerknop

Lampje	Functie	Snijgarntuur	Toerental
	ADT	Metalen snijblad Kunststof snijblad (305 mm)	3.500 - 7.000 min <sup>-1</sup>
		Nylondraad-snijknop Kunststof snijblad (255 mm)	3.500 - 5.500 min <sup>-1</sup>

## Omkeerknop voor verwijderen van vuil

**⚠ WAARSCHUWING:** Schakel het gereedschap uit en koppel de draagbare voedingseenheid los van het gereedschap voordat u verstrikt geraakte onkruiden of vuil verwijdert dat niet door de functie voor omgekeerd draaien kon worden verwijderd. Als u dit niet doet, kan dat na per ongeluk starten leiden tot ernstig persoonlijk letsel.

Dit gereedschap heeft een omkeerknop om de draairichting te veranderen. Dit is alleen voor het verwijderen van onkruiden en vuil dat verstrikt is geraakt in het gereedschap.

Om de draairichting om te keren, tikt u op de omkeerknop en knijpt u de trekkerschakelaar in terwijl u de uit-vergrendelknop ingedrukt houdt nadat het snijgarntuur stilstaat. De toerentallampjes en het ADT-lampje beginnen te knipperen en wanneer u de trekkerschakelaar inknijpt, draait het snijgarntuur in de tegenovergestelde richting.

Om terug te keren naar de normale draairichting, laat u de trekker los en wacht u totdat het snijgarnituur stilstaat.

- **Fig.10:** 1. Toerentallampjes 2. ADT-lampje  
3. Omkeerknop

**OPMERKING:** In de omgekeerde draairichting werkt het gereedschap slechts een korte tijd, waarna het automatisch stopt.

**OPMERKING:** Nadat u het gereedschap is gestopt en u het gereedschap weer start, werkt het in de normale draairichting.

**OPMERKING:** Als u op de omkeerknop tikt terwijl het snijgarnituur nog draait, wordt het gereedschap gestopt en klaargezet voor de omgekeerde draairichting.

## Elektrische rem

Dit gereedschap is voorzien van een elektrische rem. Als het gereedschap continu niet snel stilstaat nadat de trekkerschakelaar is losgelaten, laat u het gereedschap onderhouden door ons servicecentrum.

**⚠ALLET OP:** Het remsysteem is geen vervanging voor de beschermkap. Gebruik het gereedschap nooit zonder de beschermkap. Een onbeschermd snijgarnituur kan leiden tot ernstig persoonlijk letsel.

## Elektronische functie

### Constant-toerentalregeling

De toerentalregelfunctie zorgt voor een constant toerental ongeacht de belastingsomstandigheden.

### Zachte-startfunctie

Maakt een zachte start mogelijk door onderdrukking van de aanloepschok.

## MONTAGE

**⚠WAARSCHUWING:** Zorg er altijd voor dat het gereedschap is uitgeschakeld en dat de draagbare voedingseenheid is losgekoppeld van het gereedschap alvorens enige werkzaamheden aan het gereedschap uit te voeren. Als het gereedschap niet wordt uitgeschakeld en de draagbare voedingseenheid niet wordt losgekoppeld van het gereedschap, kan dat na per ongeluk starten leiden tot ernstig persoonlijk letsel.

**⚠WAARSCHUWING:** Start het gereedschap nooit voordat het op de juiste wijze is gemonteerd. Door het gereedschap in een gedeeltelijk gemonteerde toestand te laten werken, kan dat na per ongeluk inschakelen leiden tot ernstig persoonlijk letsel.

## De handgreep aanbrengen

### Voor UR101C

1. Steek de schacht van de handgreep in het handvat. Lijn het schroefgat in het handvat uit met het gat in de schacht. Draai de schroef stevig vast.

- **Fig.11:** 1. Handvat 2. Schroef 3. Schacht

**KENNISGEVING:** Let op de richting van het handvat. Het schroefgat zal niet uitgelijnd zijn als het handvat niet in de juiste richting wordt aangebracht.

2. Plaats de veer op de grondplaat.  
► **Fig.12:** 1. Knop 2. Handgreepklem 3. Handgreep  
4. Handgreephouder 5. Veer 6. Grondplaat

3. Plaats de handgreep tussen de handgreepklem en de handgreephouder.

4. Bevestig de handgreep tijdelijk door de knop vast te draaien en stel de stand van de handgreep af.

5. Draai daarna de knop volledig vast.

### Voor UR201C

1. Bevestig de bovenste en onderste klemmen op de demper.

2. Plaats de handgreep op de bovenste klem en bevestig hem met behulp van de inbusbouten, zoals afgebeeld.

- **Fig.13:** 1. Inbusbout 2. Handgreep 3. Bovenste klem 4. Demper 5. Onderste klem

## De beschermstang aanbrengen

*Alleen voor modellen met een beugelhandgreep (afhankelijk van het land)*

Als de beschermstang bij uw model werd geleverd, bevestigt u hem aan de handgreep met behulp van de schroef op de beschermstang.

- **Fig.14:** 1. Beschermstang 2. Schroef

**⚠ALLET OP:** Nadat de beschermstang is aangebracht, mag u deze niet verwijderen. De beschermstang werkt als veiligheidsmaatregel om te voorkomen dat u per ongeluk het metalen snijblad aanraakt.

## Opbergen van de inbusleutel

**⚠ALLET OP:** Denk eraan dat u de inbusleutel niet in de gereedschapskop laat zitten. Dit kan letsel en/of schade aan het gereedschap veroorzaken.

Wanneer de inbusleutel niet wordt gebruikt, bergt u hem op zoals afgebeeld zodat u hem niet verliest.

- **Fig.15:** 1. Inbusleutel

Op het model met een fietsstuurhandgreep kunt u de inbusleutel op de handgreepklem opbergen, zoals afgebeeld.



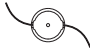


- **Fig.16:** 1. Inbusleutel 2. Handgreepklem

Op het model met een beugelhandgreep kunt u de inbusleutel op de handgreep opbergen, zoals afgebeeld.

- **Fig.17:** 1. Inbusleutel

## Correcte combinatie van snijgarnituur en beschermkap

**⚠️ LET OP:** Gebruik altijd de correcte combinatie van snijgarnituur en beschermkap. Een verkeerde combinatie biedt mogelijk geen bescherming tegen het snijgarnituur, rondvliegend afval en stenen. Het kan tevens de balans van het gereedschap beïnvloeden en leiden tot letsel.

Snijgarnituur	Beschermkap
<p>Metalen snijblad (2-tands, 3-tands en 4-tands snijbladen)</p> 	
<p>Nylondraad-snijkop</p> 	
<p>Kunststof snijblad</p> 	

## De beschermkap aanbrengen

**⚠️ WAARSCHUWING:** Gebruik het gereedschap nooit zonder beschermkap of met een verkeerd aangebrachte beschermkap. Als u zich hier niet aan houdt, kan ernstig persoonlijk letsel worden veroorzaakt.

**OPMERKING:** Het type beschermkap dat als standaard toebehoren is bijgeleverd, verschilt afhankelijk van het land.

## Voor metalen snijblad

Bevestig de beschermkap aan de klem met behulp van bouten.

► Fig.18: 1. Klem 2. Beschermkap

## Voor nylondraad-snijkop/kunststof snijblad

**⚠️ LET OP:** Wees voorzichtig uzelf niet te verwonden aan het snijgarnituur wanneer u de nylondraad afsnijdt.

Bevestig de beschermkap aan de klem met behulp van bouten. Bevestig daarna het verlengstuk van de beschermkap. Steek het verlengstuk van de beschermkap op de beschermkap en klik daarna de clips erop.

Verzeker u ervan dat de uitsteeksels op het verlengstuk van de beschermkap in de uitsparingen van de beschermkap vallen.

► Fig.19: 1. Beschermkap 2. Clip 3. Verlengstuk van de beschermkap 4. Mesje 5. Uitsparing 6. Uitsteeksel

Om het verlengstuk van de beschermkap van de beschermkap af te halen, maakt u de clips los door de inbussleutel erin te steken, zoals aangegeven in de afbeelding.

► Fig.20: 1. Inbussleutel 2. Clip

## Het snijgarnituur aanbrengen

**⚠️ LET OP:** Gebruik altijd de bijgeleverde sleutels bij het verwijderen of aanbrengen van het snijgarnituur.

**⚠️ LET OP:** Vergeet niet de inbussleutel die in de gereedschapskop is gestoken te verwijderen nadat het snijgarnituur is aangebracht.

**OPMERKING:** Het type snijgarnituur(en) dat als standaard toebehoren is bijgeleverd, verschilt afhankelijk van het land. Het snijgarnituur wordt in sommige landen niet bijgeleverd.

**OPMERKING:** Draai het gereedschap ondersteboven zodat u het snijgarnituur gemakkelijk kunt vervangen.

## Metalen snijblad

**⚠️ LET OP:** Bij het hanteren van het metalen snijblad draagt u altijd handschoenen en plaatst u de schede om het snijblad.

**⚠️ LET OP:** Het metalen snijblad moet goed geslepen zijn en vrij zijn van barsten of breuken. Als het metalen snijblad tijdens gebruik een steen raakt, stopt u onmiddellijk het gereedschap en controleert u het metalen snijblad.

**⚠️ LET OP:** Gebruik altijd het metalen snijblad met de diameter aangegeven in het hoofdstuk Technische gegevens.

1. Plaats de schede over het metalen snijblad.

**2-tands snijblad**

► Fig.21

**3-tands snijblad**

► Fig.22

**4-tands snijblad**

► Fig.23

2. Steek de inbussleutel in de opening van het tandwielhuis om de as te vergrendelen. Draai de as totdat de inbussleutel er helemaal in kan worden gestoken.

► Fig.24: 1. Moer 2. Beker 3. Klemring 4. Metalen snijblad 5. As 6. Ontvangerring 7. Inbussleutel

3. Plaats het metalen snijblad op de ontvangerring zodat de pijlen op het metalen snijblad en de beschermkap in dezelfde richting wijzen.

► Fig.25: 1. Pijl

4. Plaats de klemring en beker op het metalen snijblad en draai daarna de moer stevig vast met behulp van de pijpsleutel.

► **Fig.26:** 1. Pijpsleutel 2. Inbussleutel 3. Losdraaien 4. Aanhalen

**OPMERKING:** Aanhaalkoppel: 20 - 30 N·m

5. Verwijder de inbussleutel uit het tandwielhuis.

Om het metalen snijblad te verwijderen, volgt u de procedures voor het aanbrengen in omgekeerde volgorde.

## Nylondraad-snijkop

**KENNISGEVING:** Gebruik altijd een originele nylondraad-snijkop van Makita.

Er zijn twee typen nylondraad-snijkoppen: het type met stoot-aanvoermechanisme en het type met handmatige aanvoer.

**Type met stoot-aanvoermechanisme**

► **Fig.27:** 1. Nylondraad-snijkop 2. As 3. Inbussleutel 4. Losdraaien 5. Aanhalen

1. Steek de inbussleutel in de opening van het tandwielhuis om de as te vergrendelen. Draai de as totdat de inbussleutel er helemaal in kan worden gestoken.

2. Plaats de nylondraad-snijkop op de as en draai hem met de hand stevig vast.

3. Verwijder de inbussleutel uit het tandwielhuis.

Om de nylondraad-snijkop te verwijderen, volgt u de procedures voor het aanbrengen in omgekeerde volgorde.

**Type met handmatige aanvoer**

► **Fig.28:** 1. Moer 2. Nylondraad-snijkop 3. As 4. Inbussleutel

1. Steek de inbussleutel in de opening van het tandwielhuis om de as te vergrendelen. Draai de as totdat de inbussleutel er helemaal in kan worden gestoken.

2. Plaats de nylondraad-snijkop op de as en draai de moer stevig vast met behulp van de pijpsleutel.

► **Fig.29:** 1. Pijpsleutel 2. Inbussleutel 3. Losdraaien 4. Aanhalen

3. Verwijder de inbussleutel uit het tandwielhuis.

Om de nylondraad-snijkop te verwijderen, volgt u de procedures voor het aanbrengen in omgekeerde volgorde.

## Kunststof snijblad

**KENNISGEVING:** Gebruik altijd een origineel kunststof snijblad van Makita.

► **Fig.30:** 1. Kunststof snijblad 2. As 3. Inbussleutel 4. Losdraaien 5. Aanhalen

1. Steek de inbussleutel in de opening van het tandwielhuis om de as te vergrendelen. Draai de as totdat de inbussleutel er helemaal in kan worden gestoken.

2. Plaats het kunststof snijblad op de as en draai hem met de hand stevig vast.

3. Verwijder de inbussleutel uit het tandwielhuis.

Om het kunststof snijblad te verwijderen, volgt u de procedures voor het aanbrengen in omgekeerde volgorde.

# BEDIENING

## De werkpositie afstellen

**▲LET OP:** Alvorens deze procedure uit te voeren, brengt u de accu('s) aan in de draagbare voedingseenheid en voltooit u de afstellingen van de heupgordel en het schouderdraagstel. Raadpleeg de gebruiksaanwijzing van de draagbare voedingseenheid voor meer informatie.

**▲LET OP:** Om onbedoeld starten te voorkomen, mag u tijdens deze procedure nooit de draagbare voedingseenheid inschakelen. De accu('s) wordt/ worden slechts aangebracht om het gebruik uit te proberen met de werkelijke gewichtsverdeling.

**▲LET OP:** Wanneer u het gereedschap gebruikt in combinatie met de ruggedragen voeding, zoals de draagbare voedingseenheid, gebruikt u de draagriem die in de doos van het gereedschap zit of de draagriem die wordt aanbevolen door Makita.

Als u een schouderdraagstel dat niet wordt aanbevolen door Makita omdoet en tegelijkertijd het schouderdraagstel van de ruggedragen voeding draagt, is het moeilijk om het gereedschap of de ruggedragen voeding in een noodgeval af te doen, waardoor een ongeval of letsel kan ontstaan. Voor de aanbevolen draagriem neemt u contact op met een erkend Makita-servicecentrum.

1. Trek het snoer uit de rechterkant van de draagbare voedingseenheid. Nadat u het snoer eruit hebt getrokken, moet u het snoer in de klemmen bevestigen, zoals aangegeven in de afbeelding.

► **Fig.31:** 1. Snoer 2. Klem

2. Bevestig de haken van de draagband aan de ringen van de schouderriemen of heupgordel, zoals aangegeven in de afbeelding.

**De draagband bevestigen aan de schouderriem**

► **Fig.32:** 1. Draagband 2. Ring 3. Haak

**De draagband bevestigen aan de schouderriem en heupgordel**

► **Fig.33:** 1. Draagband 2. Ring 3. Haak

3. Draag het schouderdraagstel van de draagbare voedingseenheid en sluit de gesp van de heupgordel.

► **Fig.34**

Stel de lengte van de draagband af.

► **Fig.35**

4. Bevestig het gereedschap aan het schouderdraagstel met behulp van de haak aan de draagband. Verzeker u ervan vast te haken aan het bevestigings oog van het gereedschap.

**UR101C**

► **Fig.36:** 1. Haak 2. Bevestigings oog

**UR201C**

► **Fig.37:** 1. Haak 2. Bevestigings oog

5. Steek de stekker van het gereedschap in de aansluiting van de draagbare voedingseenheid.

Bij het insteken moeten de driehoek-markeringen op de stekker en de aansluiting zijn uitgelijnd.

#### UR101C

- **Fig.38:** 1. Stekker 2. Aansluiting  
3. Driehoek-markering

#### UR201C

- **Fig.39:** 1. Stekker 2. Aansluiting  
3. Driehoek-markering

6. Stel zo nodig de lengte van het snoer af met behulp van de klem.

- **Fig.40:** 1. Klem

De lengte van het snoer is correct afgesteld wanneer:

- u het gereedschap kunt zwenken zonder gehinderd te worden door het snoer;
- u het gereedschap kunt zwenken zonder dat het snoer heen en weer slingert;
- de stekker kunt loskoppelen van de aansluiting zonder het schouderdraagstel van de draagbare voedingseenheid te hoeven uittrekken.

**▲LET OP:** Zorg dat het snoer voldoende speling heeft tussen het gereedschap en de draagbare voedingseenheid. Als de speling te gering is, kunnen de bewegingen van het gereedschap worden gehinderd. Als er te veel speling is, kan het snoer vast komen te zitten achter andere voorwerpen en tot een ongeval leiden.

## De positie van het bevestigingsoog afstellen

### Alleen voor UR101C

Voor comfortabeler werken met het gereedschap, kunt u de positie van het bevestigingsoog veranderen.

1. Draai de bout van het bevestigingsoog los en verschuif hem naar een positie waarin u comfortabel kunt werken.

- **Fig.41:** 1. Bevestigingsoog 2. Schroef 3. Snoer

**KENNISGEVING:** Als u de positie van het bevestigingsoog afstelt, moet u tevens het snoer opnieuw afstellen.

2. Stel de positie van het bevestigingsoog af, zoals aangegeven in de afbeelding, en draai daarna de bout vast.

- **Fig.42**

1	De positie van het bevestigingsoog boven de grond
2	De positie van het snijgarnituur boven de grond
3	De horizontale afstand tussen het bevestigingsoog en het onbeschermd deel van het snijgarnituur

## Vorbereiden op gebruik

**▲LET OP:** Alvorens te gebruiken, voltooit u het afstellen van de werkpositie door de instructies te volgen in het gedeelte over de werkpositie.

**▲LET OP:** Verzeker u er voor gebruik van dat de gesp van de heupgordel dicht zit en het gereedschap stevig is bevestigd aan de haak van de draagband.

**▲LET OP:** Druk altijd op de aan-uitknop om het gereedschap in te schakelen vlak voordat u het gras gaat maaien. Als u dit niet doet, kan dat na onbedoeld starten leiden tot persoonlijk letsel.

1. Breng de accu('s) aan in de draagbare voedingseenheid.  
► **Fig.43:** 1. Draagbare voedingseenheid 2. Accu

**OPMERKING:** Raadpleeg de gebruiksaanwijzing van uw draagbare voedingseenheid voor informatie over hoe de accu's moeten worden aangebracht.

2. Druk op de aan-uitknop van de draagbare voedingseenheid. De aan-uitlamp brandt.  
► **Fig.44:** 1. Aan-uitlamp 2. Aan-uitknop
3. Draag het schouderdraagstel van de draagbare voedingseenheid en sluit de gesp van de heupgordel.  
► **Fig.45**
4. Bevestig het gereedschap aan het schouderdraagstel met behulp van de haak aan de draagband. Verzeker u ervan vast te haken aan het bevestigingsoog van het gereedschap.

#### UR101C

- **Fig.46:** 1. Haak 2. Bevestigingsoog

#### UR201C

- **Fig.47:** 1. Haak 2. Bevestigingsoog

5. Steek de stekker van het gereedschap in de aansluiting van de draagbare voedingseenheid.

Bij het insteken moeten de driehoek-markeringen op de stekker en de aansluiting zijn uitgelijnd.

#### UR101C

- **Fig.48:** 1. Stekker 2. Aansluiting  
3. Driehoek-markering

#### UR201C

- **Fig.49:** 1. Stekker 2. Aansluiting  
3. Driehoek-markering

6. Tik op de aan-uitknop om het gereedschap in te schakelen.

Het gereedschap is gebruiksklaar. Het gereedschap zal starten zodra u de trekkerschakelaar inknijpt.

- **Fig.50:** 1. Aan-uitknop

**▲LET OP:** Als u het gebruik onderbreekt, schakelt u altijd het gereedschap uit en trekt u de stekker uit de aansluiting. Als u dit niet doet, kan dat na onbedoeld starten leiden tot persoonlijk letsel.

Als u klaar bent met het gebruik, houdt u de aan-uitknop ingedrukt totdat de toerentalampjes uit gaan en voert u daarna de bovenstaande procedure in omgekeerde



## Correct hanteren van het gereedschap

**⚠ WAARSCHUWING:** Houd het gereedschap altijd tegen uw rechterzij. Een correcte plaatsing van het gereedschap geeft een maximale controle over het gereedschap en verkleint de kans op ernstig persoonlijk letsel veroorzaakt door terugslag.

**⚠ WAARSCHUWING:** Let er goed op dat u te allen tijde de controle over het gereedschap behoudt. Zorg ervoor dat het gereedschap zich niet in uw richting of in de richting van iemand die in de buurt staat beweegt. Als u de controle over het gereedschap verliest, kan dat leiden tot ernstig letsel van de gebruiker en omstanders.

**⚠ WAARSCHUWING:** Om een ongeval te voorkomen, bewaart u een afstand van 15 meter tussen gebruikers wanneer twee of meer gebruikers in hetzelfde gebied aan het werk zijn. Zorg bovendien voor een persoon die de afstand tussen de gebruikers in de gaten houdt. Als iemand of een dier binnen het werkgebied komt, stopt u onmiddellijk met het gebruik.

**⚠ LET OP:** Als tijdens gebruik het snijgarnituur per ongeluk een steen of hard voorwerp raakt, moet het gereedschap worden gestopt en op beschadigingen worden gecontroleerd. Als het snijgarnituur beschadigd is, moet deze onmiddellijk worden vervangen. Het gebruik van een beschadigd snijgarnituur kan leiden tot ernstig persoonlijk letsel.

**⚠ LET OP:** Verwijder de schede vanaf het metaal snijblad wanneer u gras gaat maaien.

Een correcte plaatsing en hantering geeft een maximale controle en verkleint de kans op letsel veroorzaakt door terugslag.

### UR101C

► Fig.51

### UR201C

► Fig.52

#### Bij gebruik van de nylondraad-snijkop (type met stoot-aanvoermecanisme)

De nylondraad-snijkop is een dubbele-draadkop voor de graskantmaaier uitgerust met een stoot-aanvoermecanisme.

Om de nylondraad aan te voeren, tikt u met de snijkop op de grond terwijl deze draait.

► Fig.53: 1. Meest effectieve maaigebied

**KENNISGEVING:** Het stoot-aanvoermecanisme zal niet goed werken wanneer de nylondraad-snijkop niet draait.

**OPMERKING:** Als de nylondraad niet wordt aanvoerd wanneer de snijkop tegen de grond wordt gestoten, volgt u de procedures in de tekst onder het kopje Onderhoud om de nylondraad opnieuw op te wikkelen of te vervangen.

## Loskoppelen in noodgevallen

**⚠ LET OP:** Let bij het loskoppelen in noodgevallen extra goed op de positie van het draaiende snijgarnituur.

Koppel in een noodgeval het gereedschap los op één van de hieronder beschreven manieren:

Maak de gesp van de heupgordel los en trek het schouderdraagstel van de draagbare voedingseenheid uit dat is vastgemaakt aan het gereedschap.

► Fig.54: 1. Gesp

Maak de gesp van de draagband los om het gereedschap los te maken. Het snoer wordt losgekoppeld door het gewicht van het gereedschap.

► Fig.55: 1. Gesp

## ONDERHOUD

**⚠ WAARSCHUWING:** Zorg er altijd voor dat het gereedschap is uitgeschakeld en dat de draagbare voedingseenheid is losgekoppeld van het gereedschap alvorens inspectie- of onderhoudswerkzaamheden aan het gereedschap uit te voeren. Als het gereedschap niet wordt uitgeschakeld en de draagbare voedingseenheid niet wordt losgekoppeld van het gereedschap, kan dat na per ongeluk starten leiden tot ernstig persoonlijk letsel.

**KENNISGEVING:** Gebruik nooit benzine, wasbenzine, thinner, alcohol en dergelijke. Hierdoor kunnen verkleuring, vervormingen en barsten worden veroorzaakt.

Om de VEILIGHEID en BETROUWBAARHEID van het gereedschap te handhaven, dienen alle reparaties, onderhoud of afstellingen te worden uitgevoerd bij een erkend Makita-servicecentrum of de Makita-fabriek, en altijd met gebruik van Makita-vervangingsonderdelen.

## Het gereedschap reinigen

Reinig het gereedschap door stof, vuil of maaisel eraf te vegen met een droge doek of een doek die in zeepwater is gedompeld en uitgewrongen. Om oververhitting van het gereedschap te voorkomen, zorgt u ervoor dat het gemaaid gras of vuil dat aan het rooster van het gereedschap kleeft wordt verwijderd.

## De nylondraad vervangen

**⚠ WAARSCHUWING:** Gebruik uitsluitend nylondraad met de diameter die wordt aangegeven in deze gebruiksaanwijzing. Gebruik nooit een zwaardere draad, metaaldraad, touw of iets dergelijks. Als u dit niet doet, kan dat schade aan het gereedschap veroorzaken en leiden tot ernstig persoonlijk letsel.

**⚠ WAARSCHUWING:** Verwijder altijd de nylondraad-snijknop vanaf het gereedschap wanneer u de nylondraad vervangt.

**⚠ WAARSCHUWING:** Controleer of het deksel van de nylondraad-snijknop goed op de behuizing is bevestigd, zoals beschreven in deze gebruiksaanwijzing. Als u het deksel niet stevig bevestigt, kan de nylondraad-snijknop uit elkaar vliegen en ernstig persoonlijk letsel veroorzaken.

Vervang de nylondraad wanneer deze niet meer wordt aangevoerd. De vervangingsmethode voor de nylondraad verschilt afhankelijk van het type nylondraad-snijknop.

### 95-M10L

► Fig.56

### 96-M10L

► Fig.57

### 98-M10L

► Fig.58

### B&F ECO 4L

► Fig.59

### UN-74L, UN-72L

► Fig.60

## Type met handmatige aanvoer

Wanneer de nylondraad kort wordt, trekt u hem uit het oogje en voert u hem aan in het andere oogje.

► Fig.61

## Het kunststof snijblad vervangen

Vervang het kunststof snijblad als het is versleten of afgebroken.

► Fig.62

Lijn bij het aanbrengen van het kunststof snijblad, de pijl op het snijblad uit met die op de beschermkap.

► Fig.63: 1. Pijl op de beschermkap 2. Pijl op het snijblad

## PROBLEMEN OPLOSSEN

Alvorens u verzoekt om reparatie, kunt u zelf als volgt het probleem opsporen en oplossen. Als u met een probleem kampt dat in deze handleiding niet wordt beschreven, probeer dan niet het gereedschap te demonteren. Laat reparaties over aan een erkend Makita-servicecentrum, uitsluitend met gebruik van originele Makita-vervangingsonderdelen.

Probleemomschrijving	Waarschijnlijke oorzaak (storing)	Oplossing
Motor loopt niet.	De accu is niet aangebracht.	Breng de accu aan.
	Probleem met de accu (lage spanning).	Laad de accu op. Als het opladen geen effect heeft, vervangt u de accu.
	De aandrijving werkt niet goed.	Vraag uw plaatselijke, erkende servicecentrum het gereedschap te repareren.
De motor stopt na kort te hebben gedraaid.	De accu is bijna leeg.	Laad de accu op. Als het opladen geen effect heeft, vervangt u de accu.
	Oververhitting.	Stop het gebruik van het gereedschap en laat het afkoelen.
Het gereedschap bereikt niet zijn maximumtoerental.	De accu is niet juist aangebracht.	Breng de accu aan zoals beschreven in deze gebruiksaanwijzing.
	Het accuvermogen neemt af.	Laad de accu op. Als het opladen geen effect heeft, vervangt u de accu.
	De aandrijving werkt niet goed.	Vraag uw plaatselijke, erkende servicecentrum het gereedschap te repareren.
Het snijgarnituur draait niet: ⇒ stop het gereedschap onmiddellijk!	Een vreemd voorwerp, zoals een tak, zit vastgeklemd tussen de beschermkap en het snijgarnituur.	Verwijder het vreemde voorwerp.
	Het snijgarnituur zit los.	Zet het snijgarnituur stevig vast.
	De aandrijving werkt niet goed.	Vraag uw plaatselijke, erkende servicecentrum het gereedschap te repareren.

Probleemomschrijving	Waarschijnlijke oorzaak (storing)	Oplossing
Abnormale trillingen: ⇒ stop het gereedschap onmiddellijk!	Kapot, verbogen of versleten snijgarnituur	Vervang het snijgarnituur.
	Het snijgarnituur zit los.	Zet het snijgarnituur stevig vast.
	De aandrijving werkt niet goed.	Vraag uw plaatselijke, erkende servicecentrum het gereedschap te repareren.
Het snijgarnituur en de motor kunnen niet stoppen: ⇒ Koppel onmiddellijk de draagbare voedingseenheid los van het gereedschap!	Elektrische of elektronische storing.	Koppel de draagbare voedingseenheid los van het gereedschap en vraag uw plaatselijk erkende servicecentrum het te repareren.

## OPTIONELE ACCESSOIRES

**⚠WAARSCHUWING:** Gebruik uitsluitend de aanbevolen accessoires of hulpstukken die worden aangegeven in deze gebruiksaanwijzing. Het gebruik van enig ander accessoire of hulpstuk kan leiden tot ernstig persoonlijk letsel.

**⚠LET OP:** Deze accessoires of hulpstukken worden aanbevolen voor gebruik met het Makita gereedschap dat in deze gebruiksaanwijzing is beschreven. Bij gebruik van andere accessoires of hulpstukken bestaat het gevaar van persoonlijke letsel. Gebruik de accessoires of hulpstukken uitsluitend voor hun bestemde doel.

Wenst u meer bijzonderheden over deze accessoires, neem dan contact op met het plaatselijke Makita-servicecentrum.

- Metalen snijblad
- Nylondraad-snijkop
- Nylondraad (snijdraad)
- Kunststof snijblad
- Beschermkap
- Originele Makita accu's en acculaders

**OPMERKING:** Sommige items op de lijst kunnen zijn inbegrepen in de doos van het gereedschap als standaard toebehoren. Deze kunnen van land tot land verschillen.

# ESPECIFICACIONES

Modelo:		UR101C	UR201C
Tipo de mango		Manillar	Mango circular
Velocidad sin carga (en cada nivel de velocidad de giro)	Disco del cortador Cuchilla de plástico (305 mm)	3: 0 - 7.000 min <sup>-1</sup> 2: 0 - 5.500 min <sup>-1</sup> 1: 0 - 4.600 min <sup>-1</sup>	
	Cabezal de corte de nylon Cuchilla de plástico (255 mm)	3: 0 - 5.500 min <sup>-1</sup> 2: 0 - 5.000 min <sup>-1</sup> 1: 0 - 4.600 min <sup>-1</sup>	
Longitud total (sin implemento de corte)		1.760 mm	1.795 mm
Diámetro del cordón de nylon		2,4 mm	
Implemento de corte aplicable y diámetro del corte	Disco de 2 dientes (P/N 198345-9)	255 mm	
	Disco de 3 dientes (P/N 195299-1)	255 mm	
	Disco de 4 dientes (P/N 196895-8)	255 mm	
	Cabezal de corte de nylon (P/N 197993-1 / 191D90-9 / 1915D7-6)	430 mm	
	Cuchilla de plástico (P/N 198383-1) (P/N 199868-0)	255 mm 305 mm	
Tensión nominal		CC 36 V - 40 V máx.	
Peso neto		5,2 kg	4,7 kg
Grado de protección		IPX4	

- Debido a nuestro continuado programa de investigación y desarrollo, las especificaciones aquí dadas están sujetas a cambios sin previo aviso.
- Las especificaciones pueden ser diferentes de país a país.
- Peso de acuerdo con el procedimiento EPTA 01/2014

## Fuente de alimentación conectada por cable recomendada

Unidad portátil de alimentación eléctrica	PDC01 / PDC1200 / PDC1500
-------------------------------------------	---------------------------

- La fuente o fuentes de alimentación conectadas por cable indicadas arriba puede que no estén disponibles dependiendo de su región de residencia.
- Antes de utilizar la fuente de alimentación conectada por cable, lea las instrucciones e indicaciones de precaución sobre ella.

## Ruido

### Modelo UR101C

Implemento de corte	Nivel de presión sonora (L <sub>pA</sub> ) dB(A)		Nivel de potencia sonora (L <sub>WA</sub> ) dB(A)		Estándar aplicable
	(L <sub>pA</sub> ) dB(A)	Incertidumbre (K) dB(A)	(L <sub>WA</sub> ) dB(A)	Incertidumbre (K) dB(A)	
Disco de 2 dientes	81,7	0,5	93,9	0,8	ISO22868(ISO11806-1)
Disco de 4 dientes	83,0	0,3	97,6	0,2	ISO22868(ISO11806-1)
Cabezal de corte de nylon	80,0	0,9	91,8	1,0	ISO22868(ISO11806-1)/ EN50636-2-91
Cuchilla de plástico	78,0	1,0	87,4	0,7	ISO22868(ISO11806-1)/ EN50636-2-91

### Modelo UR201C

Implemento de corte	Nivel de presión sonora ( $L_{pA}$ ) dB(A)		Nivel de potencia sonora ( $L_{WA}$ ) dB(A)		Estándar aplicable
	( $L_{pA}$ ) dB(A)	Incertidumbre (K) dB(A)	( $L_{WA}$ ) dB(A)	Incertidumbre (K) dB(A)	
Disco de 2 dientes	81,7	0,5	93,9	0,8	ISO22868(ISO11806-1)
Disco de 4 dientes	83,0	0,3	97,6	0,2	ISO22868(ISO11806-1)
Cabezal de corte de nylon	80,0	0,9	91,8	1,0	ISO22868(ISO11806-1)/ EN50636-2-91
Cuchilla de plástico	78,0	1,0	87,4	0,7	ISO22868(ISO11806-1)/ EN50636-2-91

- Aunque el nivel de presión del sonido listado arriba es de 80 dB (A) o menos, el nivel en situación de trabajo puede exceder los 80 dB (A). Póngase protección para los oídos.

**NOTA:** El valor (o los valores) de emisión de ruido declarado ha sido medido de acuerdo con un método de prueba estándar y se puede utilizar para comparar una herramienta con otra.

**NOTA:** El valor (o valores) de emisión de ruido declarado también se puede utilizar en una valoración preliminar de exposición.

**⚠ ADVERTENCIA:** Póngase protectores para oídos.

**⚠ ADVERTENCIA:** La emisión de ruido durante la utilización real de la herramienta eléctrica puede variar del valor (o los valores) de emisión declarado dependiendo de las formas en las que la herramienta sea utilizada, especialmente qué tipo de pieza de trabajo se procesa.

**⚠ ADVERTENCIA:** Asegúrese de identificar medidas de seguridad para proteger al operario que estén basadas en una estimación de la exposición en las condiciones reales de utilización (teniendo en cuenta todas las partes del ciclo operativo como las veces cuando la herramienta está apagada y cuando está funcionando en vacío además del tiempo de gatillo).

## Vibración

Estándar aplicable : ISO22867(ISO11806-1)

### Modelo UR101C

Implemento de corte	Mano izquierda		Mano derecha	
	$a_{h,w}$ ( $m/s^2$ )	Incertidumbre K ( $m/s^2$ )	$a_{h,w}$ ( $m/s^2$ )	Incertidumbre K ( $m/s^2$ )
Disco de 2 dientes	$\leq 2,5$	1,5	$\leq 2,5$	1,5
Disco de 4 dientes	$\leq 2,5$	1,5	$\leq 2,5$	1,5
Cabezal de corte de nylon	$\leq 2,5$	1,5	$\leq 2,5$	1,5
Cuchilla de plástico	$\leq 2,5$	1,5	$\leq 2,5$	1,5

### Modelo UR201C

Implemento de corte	Mano izquierda		Mano derecha	
	$a_{h,w}$ ( $m/s^2$ )	Incertidumbre K ( $m/s^2$ )	$a_{h,w}$ ( $m/s^2$ )	Incertidumbre K ( $m/s^2$ )
Disco de 2 dientes	$\leq 2,5$	1,5	$\leq 2,5$	1,5
Disco de 4 dientes	$\leq 2,5$	1,5	$\leq 2,5$	1,5
Cabezal de corte de nylon	$\leq 2,5$	1,5	$\leq 2,5$	1,5
Cuchilla de plástico	$\leq 2,5$	1,5	$\leq 2,5$	1,5

**NOTA:** El valor (o los valores) total de emisión de vibración declarado ha sido medido de acuerdo con un método de prueba estándar y se puede utilizar para comparar una herramienta con otra.



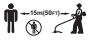





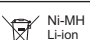


**NOTA:** El valor (o los valores) total de emisión de vibración declarado también se puede utilizar en una valoración preliminar de exposición.

**⚠ADVERTENCIA:** La emisión de vibración durante la utilización real de la herramienta eléctrica puede variar del valor (o los valores) de emisión declarado dependiendo de las formas en las que la herramienta sea utilizada, especialmente qué tipo de pieza de trabajo se procesa.

**⚠ADVERTENCIA:** Asegúrese de identificar medidas de seguridad para proteger al operario que estén basadas en una estimación de la exposición en las condiciones reales de utilización (teniendo en cuenta todas las partes del ciclo operativo como las veces cuando la herramienta está apagada y cuando está funcionando en vacío además del tiempo de gatillo).

## Símbolos

A continuación se muestran los símbolos que pueden ser utilizados para el equipo. Asegúrese de que entienda su significado antes de utilizar.

	Preste cuidado y atención especiales.
	Lea el manual de instrucciones.
	Mantenga una distancia de 15 m por lo menos.
	Peligro; sea consciente de que salen objetos lanzados.
	Precaución; contragolpe
	Póngase un casco, gafas de seguridad y protección para los oídos.
	Póngase guantes de protección.
	Utilice botas robustas con suelas antideslizantes. Se recomienda utilizar botas de seguridad con puntera de acero.
	Sólo para países de la Unión Europea Debido a la presencia de componentes peligrosos en el equipo, el equipo eléctrico y electrónico, los acumuladores y las baterías desechados pueden tener un impacto negativo para el medioambiente y la salud humana. ¡No tire los aparatos eléctricos y electrónicos ni las baterías junto con los residuos domésticos! De conformidad con las Directivas Europeas sobre residuos de aparatos eléctricos y electrónicos y sobre acumuladores y baterías y residuos de acumuladores y baterías, así como la adaptación de las mismas a la ley nacional, el equipo eléctrico, las baterías y los acumuladores desechados deberán ser almacenados por separado y trasladados a un punto distinto de recogida de desechos municipales, que cumpla con los reglamentos sobre protección medioambiental. Esto se indica mediante el símbolo de cubo de basura tachado colocado en el equipo.
	Nivel de potencia del sonido garantizado de acuerdo con la Directiva UE sobre ruido ambiental.
	Nivel de potencia del sonido de acuerdo con el reglamento para el control de ruido en NSW, Australia

## Declaraciones de conformidad

### Para países europeos solamente

Las declaraciones de conformidad están incluidas como Anexo A de este manual de instrucciones.

## ADVERTENCIAS DE SEGURIDAD

### Advertencias de seguridad para herramientas eléctricas en general

**⚠ADVERTENCIA** Lea todas las advertencias de seguridad, instrucciones, ilustraciones y especificaciones provistas con esta herramienta eléctrica. Si no sigue todas las instrucciones indicadas abajo, podrá resultar en una descarga eléctrica, un incendio y/o heridas graves.

### Guarde todas las advertencias e instrucciones para futuras referencias.

El término "herramienta eléctrica" en las advertencias se refiere a su herramienta eléctrica de funcionamiento con conexión a la red eléctrica (con cable) o herramienta eléctrica de funcionamiento a batería (sin cable).

### Instrucciones de seguridad importantes para la herramienta

**⚠ADVERTENCIA:** Asegúrese de leer y entender completamente este manual de instrucciones así como el manual de instrucciones de la unidad portátil de alimentación eléctrica que se va a utilizar con esta herramienta. Si no sigue las advertencias e instrucciones podrá resultar en una descarga eléctrica, un incendio y/o heridas graves.

**⚠ADVERTENCIA:** Lea todas las advertencias de seguridad y todas las instrucciones. Si no sigue las advertencias e instrucciones podrá resultar en una descarga eléctrica, un incendio y/o heridas graves.

### Guarde todas las advertencias e instrucciones para futuras referencias.

## Uso previsto

1. Esta herramienta ha sido prevista solamente para cortar césped, hierbas, arbustos y maleza. No se debe utilizar con ninguna otra finalidad, como para perfilar o cortar setos, porque esto podrá ocasionar heridas.

## Instrucciones generales

1. No permita nunca que personas no familiarizadas con estas instrucciones, personas (incluidos niños) con capacidades físicas, sensoriales o mentales reducidas, o sin experiencia y conocimiento utilicen esta herramienta. Los niños pequeños deberán ser supervisados para asegurarse de que no juegan con la herramienta.
2. Antes de poner en marcha la herramienta, lea este manual de instrucciones para familiarizarse con el manejo de la herramienta.
3. No preste la herramienta a una persona con insuficiente experiencia o conocimiento acerca del manejo de desbrozadoras y recortadoras con cordón.
4. Cuando preste la herramienta, incluya siempre este manual de instrucciones.
5. Maneje la herramienta con sumo cuidado y atención.
6. No utilice nunca la herramienta después de consumir alcohol o drogas, o si se siente cansado o enfermo.
7. No intente nunca modificar la herramienta.
8. Siga los reglamentos de su país sobre el manejo de desbrozadoras y recortadoras con cordón.

## Equipo de protección personal

► Fig.1

1. Póngase casco de seguridad, gafas de protección y guantes de protección para protegerse de los restos que salen volando u objetos que caigan.
2. Póngase protección para los oídos como orejeras para evitar pérdida auditiva.
3. Póngase ropa y zapatos apropiados, como un mono de trabajo y zapatos robustos con suela antideslizante, para realizar la operación con seguridad. No se ponga ropa holgada ni joyas. Las ropas holgadas, las joyas y el cabello largo se pueden enganchar en las partes móviles.
4. Cuando toque la cuchilla de corte, póngase siempre guantes de protección. Las cuchillas de corte pueden cortar las manos desnudas gravemente.

## Seguridad en el área de trabajo

1. Utilice la herramienta en buenas condiciones de visibilidad y a la luz del día solamente. No utilice la herramienta en la oscuridad ni con niebla.
2. No utilice la herramienta en atmósferas explosivas, tal como en presencia de líquidos, gases o polvo inflamables. La herramienta crea chispas que pueden prender fuego al polvo o los

humos.

3. Durante la operación, no se ponga nunca sobre una superficie inestable o resbaladiza ni en una pendiente empinada. Durante la estación fría, tenga cuidado con el hielo y la nieve y asegúrese siempre de que pisa suelo firme.
4. Durante la operación, mantenga a los transeúntes o animales alejados al menos 15 m de la herramienta. Pare la herramienta en cuanto alguien se acerque.
5. No utilice nunca la herramienta mientras haya gente, especialmente niños, o animales domésticos cerca.
6. Antes de la operación, examine el área de trabajo por si hay piedras u otros objetos sólidos. Estos pueden ser lanzados u ocasionar contragolpes peligrosos y resultar en heridas graves y/o daños a la propiedad.
7. **⚠ADVERTENCIA:** La utilización de este producto puede crear polvo con contenido de sustancias químicas que puede ocasionar trastornos respiratorios y otros males. Algunos ejemplos de estas sustancias químicas son los compuestos hallados en pesticidas, insecticidas, fertilizantes y herbicidas. El riesgo que usted corre a causa de estas exposiciones variará dependiendo de la frecuencia con que haga este tipo de trabajo. Para reducir su exposición a estas sustancias químicas: trabaje en un área bien ventilada, y trabaje con equipo de seguridad homologado, como esas máscaras contra el polvo que están especialmente diseñadas para filtrar partículas microscópicas.

## Seguridad eléctrica y de la batería

1. No exponga la herramienta a la lluvia ni a condiciones que se pueda mojar. La entrada de agua en la herramienta aumentará el riesgo de que se produzca una descarga eléctrica.
2. No utilice la herramienta si el interruptor no la enciende y apaga. Cualquier herramienta que no pueda ser controlada con el interruptor será peligrosa y deberá ser reparada.
3. Evite las puestas en marcha involuntarias. Asegúrese de que el interruptor está en la posición desactivada antes de recoger o transportar la herramienta. El transportar la herramienta con el dedo en el interruptor o el conectar la alimentación de la herramienta que tiene el interruptor activado es una invitación a accidentes.
4. No deseché la batería(s) arrojándola al fuego. La célula puede explotar. Compruebe los códigos locales por si hay instrucciones para el posible desecho especial.
5. No abra o mutile la batería(s). El electrolito liberado es corrosivo y puede ocasionar daño a los ojos o la piel. Puede ser tóxico si se traga.
6. No cargue la batería bajo la lluvia, o en lugares mojados.
7. No reemplace la batería con las manos mojadas.
8. No reemplace la batería en la lluvia.

9. **No moje el terminal de la batería con líquido como agua, ni sumerja la batería. No deje la batería en la lluvia, ni cargue, utilice, o almacene la batería en un lugar húmedo o mojado.** Si el terminal se moja o si entra líquido al interior de la batería, la batería podrá cortocircuitarse y existe el riesgo de recalentamiento, incendio, o explosión.
10. **No conecte ni desconecte el enchufe macho al, o del enchufe hembra de la unidad portátil de alimentación eléctrica en la lluvia ni en condiciones mojadas. No deje, utilice, ni almacene la herramienta y la unidad portátil de alimentación eléctrica en la lluvia ni en un lugar húmedo o mojado.** Si lo hace podrá ocasionar una descarga eléctrica.
11. **Después de retirar la batería de la unidad portátil de alimentación eléctrica o el cargador, asegúrese de colocar la tapa de la batería en la batería y de guardarla en un lugar seco.**
12. **Si el cartucho de batería se moja, retire el agua del interior y después límpielo con un paño seco. Seque el cartucho de batería completamente en un lugar seco antes de utilizarlo.**

## Puesta en operación

1. **Antes de ensamblar o ajustar la herramienta, desconecte la unidad portátil de alimentación eléctrica de la herramienta.**
2. **Antes de manejar el disco del cortador, póngase guantes de protección.**
3. **Antes de conectar la unidad portátil de alimentación eléctrica a la herramienta, inspeccione la herramienta por si hay daños, tornillos/tuerca flojos o un ensamblaje incorrecto. Afíle el disco del cortador si se desafiló. Si el disco del cortador está torcido o dañado, reemplácelo. Compruebe todas las palancas de control e interruptores para ver que se accionan con facilidad. Limpie y seque los mangos.**
4. **No intente nunca encender la herramienta si está dañada o no está ensamblada completamente.** De lo contrario, podrá resultar en heridas graves.
5. **Ajuste el arnés de hombro y la empuñadura para acomodarlos al tamaño del cuerpo del operario.**
6. **Cuando conecte la unidad portátil de alimentación eléctrica a la herramienta, mantenga el accesorio de corte alejado de su cuerpo y otros objetos, incluido el suelo.** Puede girar al principio y ocasionar heridas o daños a la herramienta y/o a la propiedad.
7. **Retire cualquier llave de ajuste, llave de apriete o cubierta de la cuchilla antes de encender la herramienta.** Un accesorio que haya sido dejado puesto en una parte giratoria de la herramienta puede resultar en heridas personales.
8. **El implemento de corte tiene que estar equipado con el protector. ¡No utilice nunca la herramienta con protectores dañados ni sin los protectores instalados en su sitio!**
9. **Asegúrese de que no hay cables eléctricos, tuberías de agua, tuberías de gas, etc., que puedan ocasionar un riesgo si se dañan al**

utilizar la herramienta.

## Operación

1. **En el caso de una emergencia, apague la herramienta inmediatamente.**
2. **Si siente cualquier condición inusual (por ejemplo, ruido, vibración) durante la operación, apague la herramienta y desconecte la unidad portátil de alimentación eléctrica de la herramienta. No utilice la herramienta hasta haber reconocido y resuelto la causa.**
3. **El accesorio de corte continuará girando durante un periodo de tiempo corto después de apagar la herramienta. No se precipite a tocar el accesorio de corte.**
4. **Durante la operación, utilice el arnés de hombro. Mantenga la herramienta en su costado derecho firmemente.**
5. **No utilice la herramienta donde no alcance. Mantenga los pies sobre suelo firme y el equilibrio en todo momento. Observe por si hay obstáculos ocultos como troncos de árboles cortados, raíces y zanjas para evitar tropezar.**
6. **Asegúrese siempre de que en pendientes apoya bien los pies.**
7. **Camine, nunca corra.**
8. **No trabaje nunca subido en una escalera o un árbol para evitar perder el control.**
9. **Si la herramienta sufre un impacto fuerte o se cae, compruebe la condición antes de continuar trabajando. Compruebe los controles y dispositivos de seguridad por si funcionan mal. Si hay cualquier daño o tiene dudas, pida a nuestro centro de servicio autorizado que hagan la inspección y reparación.**
10. **No toque la caja de engranajes durante e inmediatamente después de la operación.** La caja de engranajes se vuelve caliente durante la operación y puede ocasionar heridas de quemadura.
11. **Descanse para evitar la pérdida de control a causa de la fatiga.** Recomendamos descansar de 10 a 20 minutos cada hora.
12. **Cuando deje la herramienta, aunque solo sea durante un tiempo corto, desconecte siempre la unidad portátil de alimentación eléctrica de la herramienta.** La herramienta sin atender con el cartucho de batería instalado puede ser utilizada por una persona no autorizada y ocasionar un accidente grave.
13. **Si se enganchan césped o ramas entre el accesorio de corte y el protector, apague siempre la herramienta y desconecte la unidad portátil de alimentación eléctrica de la herramienta.** De lo contrario, el accesorio de corte podrá girar involuntariamente y ocasionar heridas graves.
14. **No toque nunca partes peligrosas en movimiento antes de que las partes peligrosas en movimiento se hayan detenido completamente y la unidad portátil de alimentación eléctrica esté desconectada de la herramienta.**
15. **Si el accesorio de corte golpea piedras u otros objetos duros, apague inmediatamente la herramienta. Después desconecte la unidad portátil de alimentación eléctrica de la**



herramienta e inspeccione el accesorio de corte.

16. **Compruebe el accesorio de corte con frecuencia durante la operación por si tiene grietas o daños. Antes de la inspección, desconecte la unidad portátil de alimentación eléctrica de la herramienta y asegúrese de que el accesorio de corte se detiene completamente. Reemplace inmediatamente el accesorio de corte dañado, aunque solamente tenga grietas superficiales.**
17. **No corte nunca por encima de la altura de la cintura.**
18. **Antes de iniciar la operación de corte, espere hasta que el accesorio de corte alcance una velocidad constante después de encender la herramienta.**
19. **Cuando utilice una cuchilla de corte, oscile la herramienta uniformemente en semicírculo de derecha a izquierda, como si utilizara una guadaña.**
20. **Sujete la herramienta por las superficies de asimiento aisladas solamente, porque el disco del cortador puede entrar en contacto con cableado oculto. El contacto de los discos del cortador con un cable con corriente puede hacer que la corriente circule por las partes metálicas expuestas de la herramienta y soltar una descarga eléctrica al operario.**
21. **No ponga en marcha la herramienta cuando el implemento de corte esté enredado con césped cortada.**
22. **Antes de poner en marcha la herramienta, asegúrese de que el implemento de corte no esté tocando el suelo y otros obstáculos como un árbol.**
23. **Durante la operación sujete siempre la herramienta con ambas manos. No sujete nunca la herramienta con una mano durante la utilización.**
24. **No utilice la herramienta cuando haya riesgo de relámpagos.**
25. **Cuando utilice la herramienta en suelo enlodado, pendiente mojada, o lugar resbaladizo, preste atención a donde pisa.**
26. **Evite trabajar en un entorno poco adecuado donde se espere que la fatiga del usuario aumente.**
27. **No utilice la herramienta en mal tiempo donde la visibilidad sea limitada. En caso contrario, podrá ocasionar una caída u operación incorrecta debido a la mala visibilidad.**
28. **No sumerja la herramienta en un charco.**
29. **No deje la herramienta sin atender en exteriores en la lluvia.**
30. **Cuando se adhieran hojas mojadas o suciedad a la boca de succión (ventanilla de ventilación) debido a la lluvia, retirelas.**
31. **No utilice la herramienta en la nieve.**

## Implementos de corte

1. **No utilice un implemento de corte que no esté recomendado por Makita.**
2. **Utilice un accesorio de corte aplicable para el**

**trabajo que esté haciendo.**

- Los cabezales de corte de nylon (cabezales de recortadora con cordón) y las cuchillas de plástico son apropiados para recortar el césped.
  - Las cuchillas de corte son adecuadas para cortar hierbas, césped alto, arbustos, setos, monte bajo, matorral, y similares.
  - No utilice nunca otras cuchillas, incluyendo las cadenas pivotantes de varias piezas y cuchillas trilladoras. Podrá resultar en heridas graves.
3. **Utilice solamente un implemento de corte que tenga marcada una velocidad igual o mayor que la velocidad marcada en la herramienta.**
  4. **Mantenga siempre las manos, la cara, y la ropa alejadas del implemento de corte cuando este esté girando. En caso contrario, podrán producirse heridas personales.**
  5. **Utilice siempre correctamente el protector de accesorio de corte apropiado para el accesorio de corte utilizado.**
  6. **Cuando utilice cuchillas de corte, evite un contragolpe y prepárese siempre para un contragolpe accidental. Consulte la sección para contragolpe.**
  7. **Cuando no esté siendo utilizada, coloque la cubierta de la cuchilla sobre la cuchilla. Retire la cubierta antes de la operación.**

## Contragolpe (Empujón de la cuchilla)

1. El contragolpe (empujón de la cuchilla) es una reacción repentina a una cuchilla de corte enganchada o confinada. Una vez que ocurre, la herramienta es lanzada lateralmente o hacia el operario con gran fuerza y puede ocasionar heridas graves.
  2. El contragolpe ocurre particularmente cuando se aplica el segmento de disco de entre las 12 y las 2 en punto a objetos sólidos, arbustos y árboles de un diámetro de 3 cm o más.
- Fig.2
3. **Para evitar el contragolpe:**
    1. **Aplique el segmento de entre las 8 y las 11 en punto.**
    2. **No aplique nunca el segmento de entre las 12 y las 2 en punto.**
    3. **No aplique nunca el segmento de entre las 11 y las 12 en punto ni de entre las 2 y las 5 en punto, a menos que el operario cuente con la formación y la experiencia adecuadas y lo haga bajo su propia responsabilidad.**
    4. **No utilice nunca las cuchillas de corte cerca de objetos sólidos, como vallas, paredes, troncos de árboles y piedras.**
    5. **No utilice nunca las cuchillas de corte en vertical, para tareas como perfilar o recortar setos.**

► Fig.3

## Vibración

1. **Las personas con mala circulación de la sangre que se expongan a vibración excesiva podrán sufrir heridas en los vasos sanguíneos o el sistema nervioso.** La vibración puede ocasionar la aparición de los síntomas siguientes en los dedos, manos o muñecas: “adormecimiento” (entumecimiento), hormigueo, dolor, sensación de pinchazos, alteración del color de la piel o alteración de la piel. Si aparece cualquiera de estos síntomas, ¡consulte a un médico!
2. **Para reducir el riesgo del “mal de dedos blancos”, mantenga calientes las manos durante la operación y realice correctamente el mantenimiento de la herramienta y los accesorios.**

## Transporte

1. **Antes de transportar la herramienta, apáguela y desconecte la unidad portátil de alimentación eléctrica de la herramienta. Coloque la cubierta en la cuchilla de corte.**
2. **Cuando transporte la herramienta, llévela siempre en posición horizontal cogiéndola por el eje.**
3. **Cuando transporte la herramienta en un vehículo, sujétela debidamente para evitar que se vuelque.** De lo contrario, podrá resultar en daños a la herramienta y otros equipajes.

## Mantenimiento

1. **Haga que la herramienta sea servida por nuestro centro de servicio autorizado, utilizando siempre únicamente piezas de repuesto genuinas.** Una reparación incorrecta o un mal mantenimiento puede acortar la vida de servicio de la herramienta y aumentar el riesgo de accidentes.
2. **Antes de hacer cualquier trabajo de mantenimiento o reparación o limpiar la herramienta, siempre apáguela y desconecte la unidad portátil de alimentación eléctrica de la herramienta.**
3. **Póngase siempre guantes de protección cuando maneje la cuchilla de corte.**
4. **Limpie siempre el polvo y la suciedad de la herramienta. No utilice nunca gasolina, bencina, diluyente, alcohol o similar para el propósito.** Puede resultar en decoloración, deformación o agrietamiento de los componentes de plástico.
5. **Después de cada utilización, apriete todos los tornillos y tuercas.**
6. **No intente realizar ningún mantenimiento o reparación no descrito en el manual de instrucciones. Pida a nuestro centro de servicio autorizado que hagan esos trabajos.**
7. **Utilice siempre nuestras piezas de repuesto y accesorios genuinos solamente.** Utilizar piezas o accesorios suministrados por un tercero puede resultar en una rotura de la herramienta, daños a la propiedad y/o heridas graves.
8. **Solicite a nuestro centro de servicio autorizado que inspeccionen y hagan el mantenimiento a la herramienta a intervalos regulares.**
9. **Mantenga siempre la herramienta en buenas condiciones de trabajo.** Un mal mantenimiento

puede resultar en un menor rendimiento y acortar la vida de servicio de la herramienta.

10. **No lave la herramienta con agua a mucha presión.**
11. **Cuando lave la herramienta, no deje que entre agua en el mecanismo eléctrico, como el motor y los terminales.**
12. **Cuando almacene la herramienta, evite la luz solar directa y la lluvia, y almacénela en un lugar donde no se caliente o humedezca.**
13. **Realice la inspección o el mantenimiento en un lugar donde se pueda evitar la lluvia.**
14. **Después de utilizar la herramienta, retire la suciedad adherida y seque la herramienta completamente antes de almacenarla.** Dependiendo de la estación del año o el área, existe el riesgo de un mal funcionamiento debido a la congelación.
15. **Mantenga todas las entradas de aire de refrigeración libres de desechos.**

## Almacenamiento

1. **Antes de almacenar la herramienta, realice una limpieza y mantenimiento completos. Desconecte la unidad portátil de alimentación eléctrica de la herramienta. Coloque la cubierta en la cuchilla de corte.**
2. **Almacene la herramienta en un lugar seco y alto o cerrado con llave fuera del alcance de los niños.**
3. **No apoye la herramienta contra algo, como una pared.** De lo contrario, podrá caerse de repente y ocasionar heridas.

## Primeros auxilios

1. **Tenga siempre un botiquín de primeros auxilios a mano. Reemplace inmediatamente cualquier elemento tomado del botiquín de primeros auxilios.**
2. **Cuando pida ayuda, ofrezca la información siguiente:**
  - Lugar del accidente
  - Qué ha ocurrido
  - Número de personas heridas
  - Carácter de la herida
  - Su nombre

## Instrucciones de seguridad importantes para el cartucho de batería

1. **Antes de utilizar el cartucho de batería, lea todas las instrucciones e indicaciones de precaución sobre (1) el cargador de baterías, (2) la batería, y (3) el producto con el que se utiliza la batería.**
2. **No desensamble ni manipule el cartucho de batería.** Podrá resultar en un incendio, calor excesivo, o una explosión.
3. **Si el tiempo de uso se acorta demasiado, cese la operación inmediatamente.** Podría resultar en un riesgo de recalentamiento, posibles quemaduras e incluso una explosión.

4. Si entra electrolito en sus ojos, aclárelos con agua limpia y acuda a un médico inmediatamente. Existe el riesgo de poder perder la vista.
5. No cortocircuite el cartucho de batería:
  - (1) No toque los terminales con ningún material conductor.
  - (2) Evite guardar el cartucho de batería en un cajón junto con otros objetos metálicos, como clavos, monedas, etc.
  - (3) No exponga el cartucho de batería al agua ni a la lluvia.

Un cortocircuito en la batería puede producir una gran circulación de corriente, un recalentamiento, posibles quemaduras e incluso una rotura de la misma.
6. No guarde ni utilice la herramienta y el cartucho de batería en lugares donde la temperatura pueda alcanzar o exceder los 50 °C.
7. Nunca incinere el cartucho de batería incluso en el caso de que esté dañado seriamente o ya no sirva en absoluto. El cartucho de batería puede explotar si se tira al fuego.
8. No clave, corte, aplaste, lance, deje caer el cartucho de batería, ni golpee contra un objeto duro el cartucho de batería. Tal conducta podrá resultar en un incendio, calor excesivo, o una explosión.
9. No utilice una batería dañada.
10. Las baterías de litio-ion contenidas están sujetas a los requisitos de la Legislación para Materiales Peligrosos.
 

Para transportes comerciales, p.ej., por terceras personas y agentes de transportes, se deberán observar requisitos especiales para el empaquetado y etiquetado.

Para la preparación del artículo que se va a enviar, se requiere consultar con un experto en materiales peligrosos. Por favor, observe también la posibilidad de reglamentos nacionales más detallados.

Cubra con cinta aislante o enmascare los contactos expuestos y empaquete la batería de tal manera que no se pueda mover alrededor dentro del embalaje.
11. Para desechar el cartucho de batería, retírelo de la herramienta y deséchelo en un lugar seguro. Siga los reglamentos locales referentes al desecho de la batería.
12. Utilice las baterías solamente con los productos especificados por Makita. La instalación de las baterías en productos no compatibles puede resultar en un incendio, calor excesivo, explosión, o fuga de electrolito.
13. Si la herramienta no va a ser utilizada durante un periodo de tiempo largo, la batería deberá ser retirada de la herramienta.
14. Durante y después de la utilización, el cartucho de batería podrá acumular calor, lo cual puede ocasionar quemaduras o quemaduras de baja temperatura. Preste atención al manejo de cartuchos de batería calientes.
15. No toque el terminal de la herramienta inmediatamente después de utilizar, dado que puede calentarse lo suficiente como para ocasionar quemaduras.
16. No permita que virutas, polvo, o tierra se adhieran dentro de los terminales, orificios, y ranuras del cartucho de batería. Esto podría ocasionar calentamiento, que coja fuego, reviente y un mal funcionamiento de la herramienta o el cartucho de batería, resultando en quemaduras o heridas personales.
17. A menos que la herramienta pueda utilizarse cerca de cables eléctricos de alta tensión, no utilice el cartucho de batería cerca de cables eléctricos de alta tensión. Podrá resultar en un mal funcionamiento o rotura de la herramienta o el cartucho de batería.
18. Mantenga la batería alejada de los niños.

## GUARDE ESTAS INSTRUCCIONES.

**⚠PRECAUCIÓN:** Utilice solamente baterías genuinas de Makita. La utilización de baterías no genuinas de Makita, o baterías que han sido alteradas, puede resultar en una explosión de la batería ocasionando incendios, heridas personales y daños. También anulará la garantía de Makita para la herramienta y el cargador de Makita.

## Consejos para alargar al máximo la vida de servicio de la batería

1. Cargue el cartucho de batería antes de que se descargue completamente. Detenga siempre la operación y cargue el cartucho de batería cuando note menos potencia en la herramienta.
2. No cargue nunca un cartucho de batería que esté completamente cargado. La sobrecarga acortará la vida de servicio de la batería.
3. Cargue el cartucho de batería a temperatura ambiente de 10 °C - 40 °C. Si un cartucho de batería está caliente, déjelo enfriar antes de cargarlo.
4. Cuando no esté utilizando el cartucho de batería, retírelo de la herramienta o del cargador.
5. Cargue el cartucho de batería si no lo utiliza durante un periodo de tiempo prolongado (más de seis meses).

## DESCRIPCIÓN DE LAS PARTES

► Fig.4

1	Indicador de velocidad	2	Indicador ADT (ADT = Automatic Torque Drive Technology (Tecnología de accionamiento automático de par de torsión))	3	Lámpara de precaución	4	Botón de alimentación principal
5	Botón de inversión	6	Enchufe macho	7	Palanca de desbloqueo	8	Gatillo interruptor
9	Colgador	10	Mango	11	Barrera	12	Pomo
13	Protector	14	Extensión del protector (para el cabezal de corte de nylon/cuchilla de plástico)	15	Cinta para colgar	-	-

## DESCRIPCIÓN DEL FUNCIONAMIENTO

**⚠️ ADVERTENCIA:** Asegúrese siempre de que la herramienta está apagada y la unidad portátil de alimentación eléctrica está desconectada de la herramienta antes de ajustar o comprobar la función de la herramienta. No apagar y desconectar la unidad portátil de alimentación eléctrica puede resultar en heridas personales graves a causa de una puesta en marcha accidental.

### Sistema de protección de la herramienta / batería

La herramienta está equipada con un sistema de protección de la herramienta/batería. Este sistema corta automáticamente la alimentación del motor para alargar la vida útil de la herramienta y la batería. La herramienta se detendrá automáticamente durante la operación si la herramienta es puesta en una de las condiciones siguientes:

Lámpara de precaución			Estado
Color	Encendido	Parpadeando	
Verde			Sobrecarga
Rojo	(herramienta) /  (batería)		Recalentamiento
Rojo			Descarga excesiva

### Protección contra sobrecarga

Si la herramienta se encuentra en una de las siguientes situaciones, la herramienta se detendrá automáticamente y la lámpara de precaución comenzará a parpadear en verde:

- La herramienta se sobrecarga con hiervas enredadas u otros desechos.
- El implemento de corte se bloquea o da un contragolpe.
- El botón de alimentación principal se enciende mientras el gatillo interruptor está siendo apretado.

En esta situación, libere el gatillo interruptor y retire las hiervas enredadas o restos si es necesario. Después

de eso, apriete el gatillo interruptor otra vez para reanudar.

**⚠️ PRECAUCIÓN:** Si necesita retirar las hiervas enredadas en la herramienta o liberar el implemento de corte bloqueado, asegúrese de apagar la herramienta antes de comenzar.

### Protección contra recalentamiento para la herramienta o la batería

Si la herramienta o el cartucho de batería se recalienta, la herramienta se detiene automáticamente. Cuando la herramienta se recalienta, la lámpara de precaución se ilumina en rojo. Cuando el cartucho de batería se recalienta, la lámpara de precaución parpadea en rojo. Deje que la herramienta y/o la batería se enfrien antes de encender la herramienta otra vez.

### Protección contra descarga excesiva

Cuando la capacidad de batería sea baja, la herramienta se detendrá automáticamente y la lámpara de precaución comenzará a parpadear en rojo. Si la herramienta no funciona aun cuando los interruptores sean accionados, retire el cartucho de batería de la herramienta y cárguelo.

### Interruptor de alimentación principal

Golpee ligeramente el botón de alimentación principal para encender la herramienta.

Para apagar la herramienta, mantenga presionado el botón de alimentación principal hasta que el indicador de velocidad se apague.

► **Fig.5:** 1. Indicador de velocidad 2. Botón de alimentación principal

**NOTA:** La herramienta se apagará automáticamente si es dejada sin realizar ninguna operación durante un cierto periodo de tiempo.

## Accionamiento del interruptor

**⚠️ ADVERTENCIA:** Por su propia seguridad, esta herramienta está equipada con la palanca de desbloqueo que evita que la herramienta sea puesta en marcha involuntariamente. No utilice NUNCA la herramienta si se pone en marcha cuando usted simplemente aprieta el gatillo interruptor sin presionar la palanca de desbloqueo. Lleve la herramienta a nuestro centro de servicio autorizado para que le hagan las reparaciones apropiadas ANTES de seguir utilizándola.

**⚠️ ADVERTENCIA:** NUNCA sujete con cinta adhesiva o anule el propósito o la función de la palanca de desbloqueo.

**⚠️ PRECAUCIÓN:** Antes de conectar la unidad portátil de alimentación eléctrica a la herramienta, compruebe siempre para ver que el gatillo interruptor se acciona debidamente y que vuelve a la posición “desactivada” cuando se libera. La utilización de una herramienta con un interruptor que no se acciona debidamente puede dar lugar a la pérdida de control y heridas personales graves.

**⚠️ PRECAUCIÓN:** No ponga nunca el dedo en el botón de alimentación principal y el gatillo interruptor cuando transporte la herramienta. La herramienta podrá ponerse en marcha involuntariamente y ocasionar heridas.

**AVISO:** No apriete con fuerza el gatillo interruptor sin presionar la palanca de desbloqueo. Esto puede ocasionar la rotura del interruptor.

Para evitar que el gatillo interruptor pueda ser apretado accidentalmente, se ha provisto una palanca de desbloqueo. Para poner en marcha la herramienta, presione hacia dentro la palanca de desbloqueo y apriete el gatillo interruptor. La velocidad de la herramienta incrementa aumentando la presión en el gatillo interruptor. Suelte el gatillo interruptor para parar.

### UR101C

► **Fig.6:** 1. Palanca de desbloqueo 2. Gatillo interruptor










### UR201C

► **Fig.7:** 1. Palanca de desbloqueo 2. Gatillo interruptor

## Ajuste de la velocidad

Puede seleccionar la velocidad de la herramienta golpeando ligeramente el botón de alimentación principal. Cada vez que toque ligeramente el botón de alimentación principal, cambiará el nivel de velocidad. La herramienta ajusta automáticamente la velocidad de giro de acuerdo con el implemento de corte colocado en la herramienta.

► **Fig.8:** 1. Indicador de velocidad 2. Botón de alimentación principal


Indicador de velocidad	Modo	Velocidad de giro	
		Disco del cortador Cuchilla de plástico (305 mm)	Cabezal de corte de nylon Cuchilla de plástico (255 mm)
3  2  1 	Alto	0 - 7.000 min <sup>-1</sup>	0 - 5.500 min <sup>-1</sup>
3  2  1 	Medio	0 - 5.500 min <sup>-1</sup>	0 - 5.000 min <sup>-1</sup>
3  2  1 	Bajo	0 - 4.600 min <sup>-1</sup>	0 - 4.600 min <sup>-1</sup>

## Tecnología de accionamiento automático de par de torsión

Cuando encienda la tecnología de accionamiento automático de par de torsión (ADT), la herramienta funcionará a la velocidad de giro y par de torsión óptimos para la condición de la césped que está siendo cortada. La herramienta detecta automáticamente el implemento de corte colocado y elige una velocidad de giro apropiada.

Para iniciar ADT, mantenga presionado el botón de inversión hasta que el indicador ADT se encienda. Para detener ADT, mantenga presionado el botón de inversión hasta que el indicador ADT se apague.

► **Fig.9:** 1. Indicador ADT 2. Botón de inversión

Indicador	Modo	Implemento de corte	Velocidad de giro
	ADT	Disco del cortador Cuchilla de plástico (305 mm)	3.500 - 7.000 min <sup>-1</sup>
		Cabezal de corte de nylon Cuchilla de plástico (255 mm)	3.500 - 5.500 min <sup>-1</sup>

## Botón de inversión para retirar restos

**⚠️ ADVERTENCIA:** Apague la herramienta y desconecte la unidad portátil de alimentación eléctrica de la herramienta antes de retirar hiervas enredadas o restos que la función de giro inverso no puede retirar. No hacerlo puede resultar en heridas personales graves a causa de una puesta en marcha accidental.

Esta herramienta tiene un botón de inversión para cambiar la dirección de giro. Este es solamente para retirar hiervas y restos enredados en la herramienta.

Para invertir el giro, golpee ligeramente el botón de inversión y apriete el gatillo interruptor mientras presiona hacia dentro la palanca de desbloqueo cuando el implemento de corte esté parado. Los indicadores de velocidad y el indicador ADT comenzarán a parpadear, y el implemento de corte girará en dirección inversa cuando apriete el gatillo interruptor.

Para volver al giro regular, suelte el gatillo y espere hasta que el implemento de corte se haya parado.

► **Fig.10:** 1. Indicador de velocidad 2. Indicador ADT 3. Botón de inversión

**NOTA:** Durante el giro inverso, la herramienta funciona solamente durante un periodo de tiempo corto y después se para.

**NOTA:** Una vez que la herramienta se para, el giro vuelve a la dirección regular cuando usted pone en marcha la herramienta otra vez.

**NOTA:** Si golpea ligeramente el botón de inversión mientras el implemento de corte todavía está girando, la herramienta se detendrá y estará lista para el giro inverso.

## Freno eléctrico

Esta herramienta está equipada con un freno eléctrico. Si la herramienta consistentemente deja de pararse rápidamente después de soltar el gatillo interruptor, haga que la herramienta sea servida en nuestro centro de servicio.

**⚠PRECAUCIÓN:** Este sistema de freno no es un sustituto para el protector. No utilice nunca la herramienta sin el protector. Un implemento de corte desprotegido puede resultar en heridas personales graves.

## Función electrónica

### Control de velocidad constante

La función de control de velocidad brinda la velocidad de rotación constante independientemente de las condiciones de carga.

### Característica de inicio suave

Inicio suave gracias a la supresión del golpe de arranque.

## MONTAJE

**⚠ADVERTENCIA:** Asegúrese siempre de que la herramienta está apagada y la unidad portátil de alimentación eléctrica está desconectada de la herramienta antes de realizar cualquier trabajo en la herramienta. No apagar y desconectar la unidad portátil de alimentación eléctrica puede resultar en heridas personales graves a causa de una puesta en marcha accidental.

**⚠ADVERTENCIA:** No ponga nunca en marcha la herramienta a menos que esté completamente ensamblada. La operación de la herramienta en un estado parcialmente ensamblado podrá resultar en heridas personales graves a causa de un arranque accidental.

## Instalación del mango

### Para UR101C

1. Inserte el eje del mango en la empuñadura. Alinee el agujero para tornillo de la empuñadura con el del eje. Apriete el tornillo firmemente.

► **Fig.11:** 1. Empuñadura 2. Tornillo 3. Eje

**⚠AVISO:** Observe la dirección de la empuñadura. Los agujeros para tornillos no se alinearán si la empuñadura no se inserta en la dirección correcta.

2. Ponga el resorte en la base.

► **Fig.12:** 1. Pomo 2. Abrazadera del mango 3. Mango 4. Soporte del mango 5. Resorte 6. Base

3. Coloque el mango entre la abrazadera del mango y el soporte del mango.

4. Coloque el mango temporalmente apretando el pomo, y ajuste la posición del mango.

5. Apriete el pomo completamente.

### Para UR201C

1. Coloque las abrazaderas superior e inferior en el amortiguador.

2. Ponga el mango sobre la abrazadera superior y fíjelo con los pernos de cabeza hueca hexagonal como se muestra en la ilustración.

► **Fig.13:** 1. Perno de cabeza hueca hexagonal 2. Mango 3. Abrazadera superior 4. Amortiguador 5. Abrazadera inferior

## Colocación de la barrera

**Para el modelo con mango circular solamente (específico para cada país)**

Si la barrera está incluida en su modelo, colóquela en el mango utilizando el tornillo de la barrera.

► **Fig.14:** 1. Barrera 2. Tornillo

**⚠PRECAUCIÓN:** Después de montar la barrera, no la retire. La barrera funciona como una pieza de seguridad para evitar que usted entre en contacto con la cuchilla del cortador accidentalmente.

## Para guardar la llave hexagonal

**⚠PRECAUCIÓN:** Tenga cuidado de no dejar la llave hexagonal insertada en el cabezal de la herramienta. Podrá ocasionar heridas y/o dañar a la herramienta.

Cuando no se esté utilizando, almacene la llave hexagonal como se muestra en la ilustración para evitar perderla.

► **Fig.15:** 1. Llave hexagonal

Para el modelo con manillar, la llave hexagonal se puede guardar en la abrazadera del manillar como se muestra en la ilustración.

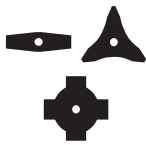

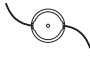


► **Fig.16:** 1. Llave hexagonal 2. Abrazadera del mango

Para el modelo con mango circular, la llave hexagonal se puede guardar en el mango como se muestra en la ilustración.

► **Fig.17:** 1. Llave hexagonal

## Combinación correcta de implemento de corte y protector

**⚠PRECAUCIÓN:** Utilice siempre la combinación correcta de implemento de corte y protector. Una combinación incorrecta podrá no protegerle del implemento de corte, residuos que salen despedidos, y piedras. También puede afectar al equilibrio de la herramienta y resultar en heridas.

Implemento de corte	Protector
Disco del cortador (Discos de 2 dientes, 3 dientes, 4 dientes) 	
Cabezal de corte de nylon 	
Cuchilla de plástico 	

## Instalación del protector

**⚠ADVERTENCIA:** No utilice nunca la herramienta sin el protector ni con el protector instalado incorrectamente. No hacerlo puede ocasionar heridas personales graves.

**NOTA:** El tipo de protector suministrado como accesorio estándar varía dependiendo de los países.

## Para disco del cortador

Coloque el protector en la abrazadera utilizando los pernos.

► **Fig.18:** 1. Abrazadera 2. Protector

## Para cabezal de corte de nylon/ cuchilla de plástico

**⚠PRECAUCIÓN:** Tenga cuidado de no herirse con el cortador para cortar el cordón de nylon.

Coloque el protector en la abrazadera utilizando los pernos. Después de eso, instale la extensión del protector. Inserte la extensión del protector en el protector y después cierre los cierres. Asegúrese de que las lengüetas de la extensión del protector encajan en las ranuras del protector.

► **Fig.19:** 1. Protector 2. Cierre 3. Extensión del protector 4. Cortador 5. Ranura 6. Lengüeta

Para retirar la extensión del protector del protector, despegue los cierres insertando la llave hexagonal como se muestra en la figura.

► **Fig.20:** 1. Llave hexagonal 2. Cierre

## Instalación del implemento de corte

**⚠PRECAUCIÓN:** Utilice siempre las llaves suministradas para retirar o instalar el implemento de corte.

**⚠PRECAUCIÓN:** Asegúrese de retirar la llave hexagonal insertada en el cabezal de la herramienta después de instalar el implemento de corte.

**NOTA:** El tipo de implemento(s) de corte suministrado(s) como accesorio estándar varía dependiendo de los países. El implemento de corte no se incluye en algunos países.

**NOTA:** Ponga la herramienta al revés de forma que pueda reemplazar el implemento de corte fácilmente.

## Disco del cortador

**⚠PRECAUCIÓN:** Cuando maneje un disco del cortador, utilice siempre guantes y ponga la cubierta del disco sobre el disco.

**⚠PRECAUCIÓN:** El disco del cortador debe estar pulido, y libre de grietas o roturas. Si el disco del cortador golpea una piedra durante la operación, detenga la herramienta y compruebe el disco del cortador inmediatamente.

**⚠PRECAUCIÓN:** Utilice siempre el disco del cortador con el diámetro descrito en la sección de especificaciones.

1. Ponga la cubierta de la cuchilla sobre el disco del cortador.

### Disco de 2 dientes

► Fig.21

### Disco de 3 dientes

► Fig.22

### Disco de 4 dientes

► Fig.23

2. Inserte la llave hexagonal a través del agujero de la caja de engranajes para bloquear el mandril. Gire el mandril hasta que la llave hexagonal esté insertada completamente.

► Fig.24: 1. Tuerca 2. Copa 3. Arandela de fijación 4. Disco del cortador 5. Mandril 6. Arandela de apoyo 7. Llave hexagonal

3. Monte el disco del cortador sobre la arandela de apoyo de forma que las flechas del disco del cortador y del protector estén apuntando en la misma dirección.

► Fig.25: 1. Flecha

4. Ponga la arandela de fijación y la copa sobre el disco del cortador y después apriete la tuerca firmemente con la llave de tubo.

► Fig.26: 1. Llave de tubo 2. Llave hexagonal 3. Aflojar 4. Apretar

**NOTA:** Par de apriete: 20 - 30 N•m

5. Retire la llave hexagonal de la caja de engranajes.

Para retirar el disco del cortador, siga los procedimientos de instalación a la inversa.

## Cabezal de corte de nylon

**AVISO:** Asegúrese de utilizar un cabezal de corte de nylon genuino de Makita.

Hay dos tipos de cabezal de corte de nylon; el de tipo golpe y alargamiento y el de tipo alargamiento manual.

### Tipo golpe y alargamiento

► Fig.27: 1. Cabezal de corte de nylon 2. Mandril 3. Llave hexagonal 4. Aflojar 5. Apretar

1. Inserte la llave hexagonal a través del agujero de la caja de engranajes para bloquear el mandril. Gire el mandril hasta que la llave hexagonal esté insertada completamente.

2. Ponga el cabezal de corte de nylon sobre el mandril y apriételo firmemente a mano.

3. Retire la llave hexagonal de la caja de engranajes. Para retirar el cabezal de corte de nylon, siga los procedimientos de instalación a la inversa.

### Tipo alargamiento manual

► Fig.28: 1. Tuerca 2. Cabezal de corte de nylon 3. Mandril 4. Llave hexagonal

1. Inserte la llave hexagonal a través del agujero de la caja de engranajes para bloquear el mandril. Gire el mandril hasta que la llave hexagonal esté insertada completamente.

2. Ponga el cabezal de corte de nylon sobre el mandril y apriete la tuerca firmemente con la llave de tubo.

► Fig.29: 1. Llave de tubo 2. Llave hexagonal 3. Aflojar 4. Apretar

3. Retire la llave hexagonal de la caja de engranajes.

Para retirar el cabezal de corte de nylon, siga los procedimientos de instalación a la inversa.

## Cuchilla de plástico

**AVISO:** Asegúrese de utilizar una cuchilla de plástico genuina de Makita.

► Fig.30: 1. Cuchilla de plástico 2. Mandril 3. Llave hexagonal 4. Aflojar 5. Apretar

1. Inserte la llave hexagonal a través del agujero de la caja de engranajes para bloquear el mandril. Gire el mandril hasta que la llave hexagonal esté insertada completamente.

2. Ponga la cuchilla de plástico sobre el mandril y apriétela firmemente a mano.

3. Retire la llave hexagonal de la caja de engranajes.

Para retirar la cuchilla de plástico, siga los procedimientos de instalación a la inversa.

## OPERACIÓN

### Ajuste de la posición de trabajo

**PRECAUCIÓN:** Antes de realizar este procedimiento, instale el cartucho (o los cartuchos) de batería en la unidad portátil de alimentación eléctrica y termine los ajustes de la correa de cintura y el arnés de hombro. Consulte el manual de instrucciones de la unidad portátil de alimentación eléctrica para ver detalles.

**PRECAUCIÓN:** Para evitar una puesta en marcha involuntaria, no encienda nunca la unidad portátil de alimentación eléctrica durante todo este procedimiento. El cartucho (o los cartuchos) de batería debe ser instalado solamente para obtener la funcionalidad con el equilibrio del peso real.

**PRECAUCIÓN:** Cuando utilice la herramienta en combinación con el suministro de alimentación tipo mochila tal como una unidad portátil de alimentación eléctrica, utilice la cinta colgante incluida en el paquete de la herramienta o la cinta colgante recomendada por Makita.

Si se pone un arnés de hombro no recomendado por Makita y el arnés de hombro del suministro de alimentación tipo mochila al mismo tiempo, le resultará difícil quitarse la herramienta o el suministro de alimentación tipo mochila en caso de una emergencia, y esto podrá ocasionar un accidente o heridas. Para la cinta colgante recomendada, pregunte en centros de servicio autorizados de Makita.

1. Extraiga el cable del lado derecho de la unidad portátil de alimentación eléctrica. Cuando extraiga el cable, asegúrese de poner el cable en las abrazaderas como se muestra en la figura.

► Fig.31: 1. Cable 2. Abrazadera

2. Coloque los ganchos de la cinta para colgar en las anillas de las correas de hombro o arnés de cintura como se muestra en la figura.



## Colocación de la cinta para colgar en la correa de hombro

► **Fig.32:** 1. Cinta para colgar 2. Anilla 3. Gancho

## Colocación de la cinta para colgar en la correa de hombro y correa de cintura.

► **Fig.33:** 1. Cinta para colgar 2. Anillo 3. Gancho

3. Póngase el arnés de hombro de la unidad portátil de alimentación eléctrica y bloquee la hebilla de la correa de cintura.

► **Fig.34**

Ajuste la longitud de la cinta para colgar como sea necesario.

► **Fig.35**

4. Coloque la herramienta en el arnés de hombro utilizando el gancho de la cinta para colgar. Asegúrese de enganchar el colgador de la herramienta.

### UR101C

► **Fig.36:** 1. Gancho 2. Colgador

### UR201C

► **Fig.37:** 1. Gancho 2. Colgador

5. Inserte el enchufe macho de la herramienta en el enchufe hembra de la unidad portátil de alimentación eléctrica.

Cuando inserte, alinee la marca triangular de ambos, el enchufe macho y el enchufe hembra.

### UR101C

► **Fig.38:** 1. Enchufe macho 2. Enchufe hembra  
3. Marca triangular

### UR201C

► **Fig.39:** 1. Enchufe macho 2. Enchufe hembra  
3. Marca triangular

6. Ajuste la longitud del cable utilizando las abrazaderas como sea necesario.

► **Fig.40:** 1. Abrazadera

La longitud del cable estará bien ajustada cuando pueda;

— oscilar la herramienta sin ningún estorbo del cable;

— oscilar la herramienta sin dejar que el cable bamboleo y;

— desconectar el enchufe macho del enchufe hembra sin quitar el arnés de hombro de la unidad portátil de alimentación eléctrica.

**⚠PRECAUCIÓN:** Permita que el cable tenga un juego apropiado entre la herramienta y unidad portátil de alimentación eléctrica. Si el juego es muy pequeño, el movimiento de la herramienta podrá entorpecerse. Si el juego es demasiado grande, el cable podrá engancharse en otro objeto y resultar en un accidente.

## Ajuste de la posición del colgador

### Para UR101C solamente

Para un manejo más cómodo de la herramienta, puede cambiar la posición del colgador.

1. Afloje el tornillo del colgador y deslícelo hasta una posición de trabajo cómoda.

► **Fig.41:** 1. Colgador 2. Tornillo 3. Cable

**AVISO:** Cuando ajuste la posición del colgador, ajuste también la posición del cable.

2. Ajuste la posición del colgador como se muestra en la figura y después apriete el tornillo.

► **Fig.42**

1	La posición del colgador desde el suelo
2	La posición del implemento de corte desde el suelo
3	La distancia horizontal entre el colgador y la parte desprotegida del implemento de corte

## Comienzo de la operación

**⚠PRECAUCIÓN:** Antes de la operación, termine de ajustar la posición de trabajo siguiendo las instrucciones en la sección para la posición de trabajo.

**⚠PRECAUCIÓN:** Antes de la operación, asegúrese de que la hebilla de la correa de cintura está bloqueada y la herramienta está colocada firmemente en el gancho de la cinta para colgar.

**⚠PRECAUCIÓN:** Presione siempre el botón de alimentación principal para encender la herramienta inmediatamente antes de cortar césped. En caso contrario, podrá ocasionar heridas personales debido a una puesta en marcha involuntaria.

1. Instale el cartucho (o los cartuchos) de batería en la unidad portátil de alimentación eléctrica.

► **Fig.43:** 1. Unidad portátil de alimentación eléctrica  
2. Cartucho de batería

**NOTA:** Consulte el manual de instrucciones de su unidad portátil de alimentación eléctrica para ver cómo instalar los cartuchos de batería.

2. Presione el botón de alimentación de la unidad portátil de alimentación eléctrica. La lámpara de alimentación principal se iluminará.

► **Fig.44:** 1. Lámpara de alimentación principal  
2. Botón de alimentación

3. Póngase el arnés de hombro de la unidad portátil de alimentación eléctrica y bloquee la hebilla de la correa de cintura.

► **Fig.45**

4. Coloque la herramienta en el arnés de hombro utilizando el gancho de la cinta para colgar. Asegúrese de enganchar el colgador de la herramienta.

### UR101C

► **Fig.46:** 1. Gancho 2. Colgador

### UR201C

► **Fig.47:** 1. Gancho 2. Colgador

5. Inserte el enchufe macho de la herramienta en el enchufe hembra de la unidad portátil de alimentación eléctrica.

Cuando inserte, alinee la marca triangular de ambos, el

enchufe macho y el enchufe hembra.

#### UR101C

- **Fig.48:** 1. Enchufe macho 2. Enchufe hembra  
3. Marca triangular

#### UR201C

- **Fig.49:** 1. Enchufe macho 2. Enchufe hembra  
3. Marca triangular

6. Golpee ligeramente el botón de alimentación principal para encender la herramienta.

La herramienta está lista para utilizar. La herramienta se pondrá en marcha cuando apriete el gatillo interruptor.

- **Fig.50:** 1. Botón de alimentación principal

**⚠PRECAUCIÓN:** Cuando suspenda la operación, apague siempre la herramienta y retire el enchufe macho del enchufe hembra. En caso contrario, podrá ocasionar heridas personales debido a una puesta en marcha involuntaria.

Cuando abandone la operación, mantenga presionado el botón de alimentación principal hasta que el indicador de velocidad se apague y después realice el procedimiento de arriba a la inversa.

### Manejo correcto de la herramienta

**⚠ADVERTENCIA:** Posicione siempre la herramienta en su costado derecho. Un posicionamiento correcto de la herramienta permite el máximo control y reducirá el riesgo de heridas personales graves causadas por un contragolpe.

**⚠ADVERTENCIA:** Tenga mucho cuidado de mantener el control de la herramienta en todo momento. No permita que la herramienta se desvíe hacia usted o hacia cualquiera que se encuentre cerca de usted. No mantener el control de la herramienta puede resultar en heridas graves a los transeúntes y el operario.

**⚠ADVERTENCIA:** Para evitar accidentes, deje una distancia de más de 15 m entre operarios cuando en un área trabajen dos o más operarios. Además, asigne a una persona para que observe la distancia entre operarios. Si una persona o un animal entra en el área de trabajo, cese inmediatamente la operación.

**⚠PRECAUCIÓN:** Si el implemento de corte impacta accidentalmente una roca u objeto duro durante la operación, pare la herramienta e inspeccione por si hay cualquier daño. Si el implemento de corte está dañado, reemplácelo inmediatamente. La utilización de un implemento de corte dañado puede resultar en heridas personales graves.

**⚠PRECAUCIÓN:** Retire la cubierta de la cuchilla de la cuchilla del cortador cuando corte pasto.

Un posicionamiento y manejo correctos permiten un control óptimo y reducen el riesgo de heridas causadas por un contragolpe.

#### UR101C

- **Fig.51**

#### UR201C

- **Fig.52**

### Cuando utilice un cabezal de corte de nylon (tipo golpe y alargamiento)

El cabezal de corte de nylon es un cabezal de recorte de cordón doble con un mecanismo de golpe y alargamiento.

Para alargar el cordón de nylon, golpee ligeramente el cabezal de corte contra el suelo mientras está girando.

- **Fig.53:** 1. Área de corte más eficaz

**⚠AVISO:** El alargamiento por golpe no funcionará debidamente si el cabezal de corte de nylon no está girando.

**NOTA:** Si el cordón de nylon no se alarga mientras golpea el cabezal ligeramente, rebobínelo o sustitúyalo siguiendo los procedimientos descritos en la sección de mantenimiento.

### Desprendimiento de emergencia

**⚠PRECAUCIÓN:** En caso de un desprendimiento de emergencia, preste atención adicional a la posición del implemento de corte que está girando.

En caso de emergencia, desprenda la herramienta de una de las maneras descritas abajo:

Desbloquee la hebilla de la correa de cintura y quite el arnés de hombro de la unidad portátil de alimentación eléctrica que está conectada a la herramienta.

- **Fig.54:** 1. Hebilla

Desbloquee la hebilla de la cinta para colgar y libere la herramienta. El cable se desconectará con el peso de la herramienta.

- **Fig.55:** 1. Hebilla

### MANTENIMIENTO

**⚠ADVERTENCIA:** Asegúrese siempre de que la herramienta está apagada y la unidad portátil de alimentación eléctrica está desconectada de la herramienta antes de intentar realizar una inspección o mantenimiento de la herramienta. No apagar y desconectar la unidad portátil de alimentación eléctrica puede resultar en heridas personales graves a causa de una puesta en marcha accidental.

**⚠AVISO:** No utilice nunca gasolina, bencina, disolvente, alcohol o similares. Podría producir descoloración, deformación o grietas.

Para mantener la SEGURIDAD y FIABILIDAD del producto, las reparaciones, y cualquier otra tarea de mantenimiento o ajuste deberán ser realizadas en centros de servicio o de fábrica autorizados por Makita, empleando siempre repuestos Makita.

## Limpieza de la herramienta

Limpie la herramienta quitando el polvo, la suciedad, o el pasto cortado con un paño seco o uno sumergido en agua jabonosa y escurrido. Para evitar el recalentamiento de la herramienta, asegúrese de retirar la hierba cortada o los desechos adheridos a la abertura de ventilación de la herramienta.

## Reemplazo del cordón de nylon

**⚠️ ADVERTENCIA:** Utilice solamente un cordón de nylon con el diámetro especificado en este manual de instrucciones. No utilice nunca una línea más pesada, alambre, cuerda o similar. En caso contrario, podrá ocasionar daños a la herramienta y resultar en heridas personales graves.

**⚠️ ADVERTENCIA:** Retire siempre el cabezal de corte de nylon de la herramienta cuando reemplace el cordón de nylon.

**⚠️ ADVERTENCIA:** Asegúrese de que la cubierta del cabezal de corte de nylon está sujeta al alojamiento correctamente como se describe en este manual de instrucciones. No sujetar la cubierta debidamente puede ocasionar que el cabezal de corte de nylon salga despedido resultando en heridas personales graves.

Reemplace el cordón de nylon si deja de alargarse. El método de reemplazo del cordón de nylon varía dependiendo del tipo de cabezal de corte de nylon.

## 95-M10L

► Fig.56

## 96-M10L

► Fig.57

## 98-M10L

► Fig.58

## B&F ECO 4L

► Fig.59

## UN-74L, UN-72L

► Fig.60

## Tipo alargamiento manual

Cuando el cordón de nylon se vuelva corto, extráigalo del ojal y páselo a través del otro ojal.

► Fig.61

## Reemplazo de la cuchilla de plástico

Reemplace la cuchilla de plástico si está desgastada o rota.

► Fig.62

Cuando instale la cuchilla de plástico, alinee la dirección de la flecha de la cuchilla con la del protector.

► Fig.63: 1. Flecha del protector 2. Flecha de la cuchilla

## SOLUCIÓN DE PROBLEMAS

Antes de solicitar reparaciones, realice su propia inspección en primer lugar. Si encuentra un problema que no está explicado en el manual, no intente desmontar la herramienta. En su lugar, pregunte en los centros de servicio autorizados Makita, utilizando siempre piezas de recambio Makita para las reparaciones.

Estado de anomalía	Causa probable (mal funcionamiento)	Remedio
El motor no se pone en marcha.	El cartucho de batería no está instalado.	Instale el cartucho de batería.
	Problema de batería (poca tensión)	Recargue el cartucho de batería. Si la recarga no se realiza efectivamente, reemplace el cartucho de batería.
	El sistema de accionamiento no funciona correctamente.	Pida a su centro de servicio autorizado local que le hagan la reparación.
El motor se para después de usarlo un poco.	El nivel de carga de la batería es bajo.	Recargue el cartucho de batería. Si la recarga no se realiza efectivamente, reemplace el cartucho de batería.
	Recalentamiento.	Deje de utilizar la herramienta para permitir que se enfríe.
La herramienta no alcanza el máximo de RPM.	El cartucho de batería está instalado incorrectamente.	Instale el cartucho de batería como se describe en este manual.
	La potencia de la batería está cayendo.	Recargue el cartucho de batería. Si la recarga no se realiza efectivamente, reemplace el cartucho de batería.
	El sistema de accionamiento no funciona correctamente.	Pida a su centro de servicio autorizado local que le hagan la reparación.

Estado de anomalía	Causa probable (mal funcionamiento)	Remedio
El implemento de corte no gira: ⇒ ¡detenga la máquina inmediatamente!	Se ha atascado un objeto extraño como una rama entre el protector y el implemento de corte.	Retire el objeto extraño.
	El implemento de corte está colocado flojamente.	Apriete el implemento de corte firmemente.
	El sistema de accionamiento no funciona correctamente.	Pida a su centro de servicio autorizado local que le hagan la reparación.
Vibración anormal: ⇒ ¡detenga la máquina inmediatamente!	Implemento de corte roto, doblado o desgastado	Reemplace el implemento de corte.
	El implemento de corte está colocado flojamente.	Apriete el implemento de corte firmemente.
	El sistema de accionamiento no funciona correctamente.	Pida a su centro de servicio autorizado local que le hagan la reparación.
El implemento de corte y el motor no se pueden detener: ⇒ ¡Desconecte la unidad portátil de alimentación eléctrica de la herramienta inmediatamente!	Mal funcionamiento eléctrico o electrónico.	Desconecte la unidad portátil de alimentación eléctrica de la herramienta y pida al centro de servicio autorizado local que le hagan la reparación.

## ACCESORIOS OPCIONALES

**⚠ADVERTENCIA:** Utilice solamente los accesorios o aditamentos recomendados indicados en este manual. La utilización de cualquier otro accesorio o aditamento puede resultar en heridas personales graves.

**⚠PRECAUCIÓN:** Estos accesorios o aditamentos están recomendados para su uso con la herramienta Makita especificada en este manual. El uso de cualquier otro accesorio o aditamento puede suponer un riesgo de heridas personales. Utilice el accesorio o aditamento solamente con la finalidad indicada para el mismo.

Si necesita cualquier ayuda para más detalles en relación con estos accesorios, pregunte al centro de servicio Makita local.

- Disco del cortador
- Cabezal de corte de nylon
- Cordón de nylon (línea de corte)
- Cuchilla de plástico
- Protector
- Batería y cargador genuinos de Makita

**NOTA:** Algunos elementos de la lista podrán estar incluidos en el paquete de la herramienta como accesorios estándar. Pueden variar de un país a otro.

## ESPECIFICAÇÕES

Modelo:		UR101C	UR201C
Tipo de pega		Pega de bicicleta	Pega circular
Velocidade sem carga (em cada nível de velocidade de rotação)	Lâmina de corte Lâmina de plástico (305 mm)	3: 0 - 7.000 min <sup>-1</sup> 2: 0 - 5.500 min <sup>-1</sup> 1: 0 - 4.600 min <sup>-1</sup>	
	Cabeça de corte de nylon Lâmina de plástico (255 mm)	3: 0 - 5.500 min <sup>-1</sup> 2: 0 - 5.000 min <sup>-1</sup> 1: 0 - 4.600 min <sup>-1</sup>	
Comprimento total (sem ferramenta de corte)		1.760 mm	1.795 mm
Diâmetro do fio de nylon		2,4 mm	
Ferramenta de corte aplicável e diâmetro de corte	Lâmina de 2 dentes (P/N 198345-9)	255 mm	
	Lâmina de 3 dentes (P/N 195299-1)	255 mm	
	Lâmina de 4 dentes (P/N 196895-8)	255 mm	
	Cabeça de corte de nylon (P/N 197993-1 / 191D90-9 / 1915D7-6)	430 mm	
	Lâmina de plástico (P/N 198383-1) (P/N 199868-0)	255 mm 305 mm	
Tensão nominal		C.C. 36 V - 40 V máx.	
Peso líquido		5,2 kg	4,7 kg
Grau de proteção		IPX4	

- Devido a um programa contínuo de pesquisa e desenvolvimento, estas especificações estão sujeitas a alteração sem aviso prévio.
- As especificações podem variar de país para país.
- Peso de acordo com o Procedimento EPTA 01/2014

### Fonte de alimentação ligada por fio recomendada

Adaptador de baterias tipo mochila	PDC01 / PDC1200 / PDC1500
------------------------------------	---------------------------

- A(s) fonte(s) de alimentação ligada(s) por fio listada(s) acima pode(m) não estar disponível(eis) dependendo da sua região de residência.
- Antes de utilizar a fonte de alimentação ligada por fio, leia as instruções e etiquetas de precaução na mesma.

## Ruído

### Modelo UR101C

Ferramenta de corte	Nível de pressão sonora (L <sub>PA</sub> ) dB(A)		Nível de potência sonora (L <sub>WA</sub> ) dB(A)		Padrão aplicável
	(L <sub>PA</sub> ) dB(A)	Incerteza (K) dB(A)	(L <sub>WA</sub> ) dB(A)	Incerteza (K) dB(A)	
Lâmina de 2 dentes	81,7	0,5	93,9	0,8	ISO22868(ISO11806-1)
Lâmina de 4 dentes	83,0	0,3	97,6	0,2	ISO22868(ISO11806-1)
Cabeça de corte de nylon	80,0	0,9	91,8	1,0	ISO22868(ISO11806-1)/ EN50636-2-91
Lâmina de plástico	78,0	1,0	87,4	0,7	ISO22868(ISO11806-1)/ EN50636-2-91

### Modelo UR201C

Ferramenta de corte	Nível de pressão sonora ( $L_{pA}$ ) dB(A)		Nível de potência sonora ( $L_{WA}$ ) dB(A)		Padrão aplicável
	( $L_{pA}$ ) dB(A)	Incerteza (K) dB(A)	( $L_{WA}$ ) dB(A)	Incerteza (K) dB(A)	
Lâmina de 2 dentes	81,7	0,5	93,9	0,8	ISO22868(ISO11806-1)
Lâmina de 4 dentes	83,0	0,3	97,6	0,2	ISO22868(ISO11806-1)
Cabeça de corte de nylon	80,0	0,9	91,8	1,0	ISO22868(ISO11806-1)/ EN50636-2-91
Lâmina de plástico	78,0	1,0	87,4	0,7	ISO22868(ISO11806-1)/ EN50636-2-91

- Mesmo que o nível de pressão sonora indicado acima seja 80 dB (A) ou menos, o nível durante o trabalho pode exceder os 80 dB (A). Utilize proteção auricular.

**NOTA:** O(s) valor(es) da emissão de ruído indicado(s) foi medido de acordo com um método de teste padrão e pode ser utilizado para comparar duas ferramentas.

**NOTA:** O(s) valor(es) da emissão de ruído indicado(s) pode também ser utilizado na avaliação preliminar da exposição.

**AVISO:** Utilize protetores auriculares.

**AVISO:** A emissão de ruído durante a utilização real da ferramenta elétrica pode diferir do(s) valor(es) indicado(s), dependendo das formas como a ferramenta é utilizada, especialmente o tipo de peça de trabalho que é processada.

**AVISO:** Certifique-se de identificar as medidas de segurança para proteção do operador que sejam baseadas em uma estimativa de exposição em condições reais de utilização (considerando todas as partes do ciclo de operação, tal como quando a ferramenta está desligada e quando está a funcionar em marcha lenta além do tempo de acionamento).

## Vibração

Padrão aplicável : ISO22867(ISO11806-1)

### Modelo UR101C

Ferramenta de corte	Mão esquerda		Mão direita	
	$a_{h,w}$ ( $m/s^2$ )	K de incerteza ( $m/s^2$ )	$a_{h,w}$ ( $m/s^2$ )	K de incerteza ( $m/s^2$ )
Lâmina de 2 dentes	$\leq 2,5$	1,5	$\leq 2,5$	1,5
Lâmina de 4 dentes	$\leq 2,5$	1,5	$\leq 2,5$	1,5
Cabeça de corte de nylon	$\leq 2,5$	1,5	$\leq 2,5$	1,5
Lâmina de plástico	$\leq 2,5$	1,5	$\leq 2,5$	1,5

### Modelo UR201C

Ferramenta de corte	Mão esquerda		Mão direita	
	$a_{h,w}$ ( $m/s^2$ )	K de incerteza ( $m/s^2$ )	$a_{h,w}$ ( $m/s^2$ )	K de incerteza ( $m/s^2$ )
Lâmina de 2 dentes	$\leq 2,5$	1,5	$\leq 2,5$	1,5
Lâmina de 4 dentes	$\leq 2,5$	1,5	$\leq 2,5$	1,5
Cabeça de corte de nylon	$\leq 2,5$	1,5	$\leq 2,5$	1,5
Lâmina de plástico	$\leq 2,5$	1,5	$\leq 2,5$	1,5

**NOTA:** O(s) valor(es) total(ais) de vibração indicado(s) foi medido de acordo com um método de teste padrão e pode ser utilizado para comparar duas ferramentas.



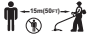








**NOTA:** O(s) valor(es) total(ais) de vibração indicado(s) pode também ser utilizado na avaliação preliminar da exposição.

**⚠️ AVISO:** A emissão de vibração durante a utilização real da ferramenta elétrica pode diferir do(s) valor(es) indicado(s), dependendo das formas como a ferramenta é utilizada, especialmente o tipo de peça de trabalho que é processada.

**⚠️ AVISO:** Certifique-se de identificar as medidas de segurança para proteção do operador que sejam baseadas em uma estimativa de exposição em condições reais de utilização (considerando todas as partes do ciclo de operação, tal como quando a ferramenta está desligada e quando está a funcionar em marcha lenta além do tempo de acionamento).

## Símbolos

A seguir são apresentados os símbolos que podem ser utilizados para o equipamento. Certifique-se de que compreende o seu significado antes da utilização.

	Tenha especial cuidado e atenção.
	Leia o manual de instruções.
	Mantenha uma distância de, pelo menos, 15 m.
	Perigo; cuidado com os objetos arremessados.
	Cuidado; ressaltos
	Use capacetes, óculos de proteção e proteção auricular.
	Use luvas de proteção.
	Use botas robustas com solas antideslizantes. Recomendamos botas com biqueira de aço.
	Apenas para países da UE Devido à presença de componentes perigosos no equipamento, os resíduos de equipamentos elétricos e eletrônicos, acumuladores e baterias podem ter um impacto negativo no meio ambiente e na saúde humana. Não elimine aparelhos elétricos e eletrônicos ou baterias juntamente com resíduos domésticos! De acordo com a Diretiva europeia relativa aos resíduos de equipamentos elétricos e eletrônicos, acumuladores e baterias, bem como a respetiva adaptação à legislação nacional, os resíduos de equipamentos elétricos e eletrônicos, acumuladores e baterias devem ser armazenados separadamente e entregues num ponto de recolha separado para resíduos municipais, que opere de acordo com os regulamentos de proteção ambiental. Tal é indicado pelo símbolo de contentor de lixo com rodas barrado com uma cruz colocado no equipamento.
	Nível de potência sonora garantido de acordo com a Diretiva de ruído ambiente da UE.
	Nível de potência sonora de acordo com o Regulamento de controlo do ruído de NSW da Austrália

## Declarações de conformidade

### Apenas para os países europeus

As Declarações de conformidade estão incluídas no Anexo A deste manual de instruções.

## AVISOS DE SEGURANÇA

### Avisos gerais de segurança para ferramentas elétricas

**⚠️ AVISO** Leia todos os avisos de segurança, instruções, ilustrações e especificações fornecidos com esta ferramenta elétrica. O incumprimento de todas as instruções abaixo enumeradas pode resultar em choque elétrico, incêndio e/ou ferimentos graves.

### Guarde todos os avisos e instruções para futuras referências.

O termo "ferramenta elétrica" nos avisos refere-se às ferramentas elétricas ligadas à corrente elétrica (com cabo) ou às ferramentas elétricas operadas por meio de bateria (sem cabo).

### Instruções de segurança importantes para a ferramenta

**⚠️ AVISO:** Certifique-se de que lê e compreende totalmente este manual de instruções, bem como o manual de instruções do adaptador de baterias tipo mochila a utilizar com esta ferramenta. O não cumprimento de todos os avisos e instruções pode originar choque elétrico, incêndio e/ou ferimentos graves.

**⚠️ AVISO:** Leia todos os avisos de segurança e todas as instruções. O não cumprimento de todos os avisos e instruções pode originar choque elétrico, incêndio e/ou ferimentos graves.

### Guarde todos os avisos e instruções para futuras referências.

### Fins a que se destina

1. Esta ferramenta destina-se apenas ao corte de relva, ervas, arbustos e vegetação rasteira. Não deve ser utilizada para quaisquer outros fins, como aparar ou corte de sebes, pois isto pode provocar ferimentos.

## Instruções gerais

1. Nunca permita que pessoas não familiarizadas com estas instruções, pessoas (incluindo crianças) com capacidades físicas, sensoriais ou mentais reduzidas ou falta de experiência ou conhecimentos utilizem a ferramenta. As crianças devem ser supervisionadas para garantir que não brincam com a ferramenta.
2. Antes de efetuar o arranque da ferramenta, leia este manual de instruções para se familiarizar com o manuseamento da ferramenta.
3. Não empreste a ferramenta a uma pessoa com experiência ou conhecimentos insuficientes no que se refere ao manuseamento das roçadeiras e dos aparadores de relva.
4. Quando emprestar a ferramenta, anexe sempre esta manual de instruções.
5. Manuseie a ferramenta com o máximo de cuidado e atenção.
6. Nunca utilize a ferramenta depois de consumir álcool ou drogas ou se se sentir cansado ou doente.
7. Nunca tente modificar a ferramenta.
8. Siga a regulamentação referente ao manuseamento das roçadeiras e dos aparadores de relva vigentes no seu país.

## Equipamento de proteção pessoal

### ► Fig.1

1. Use capacete de proteção, óculos de proteção e luvas de proteção para proteger-se contra detritos arremessados ou queda de objetos.
2. Use proteção auditiva, tais como tampões para os ouvidos para evitar a perda de audição.
3. Use vestuário e calçado adequados para o funcionamento seguro, tais como uniforme de trabalho e calçado resistente antideslizante. Não use vestuário solto nem joias. O vestuário solto, as joias ou o cabelo longo podem ficar presos nas peças em movimento.
4. Use luvas de proteção quando tocar na lâmina de corte. As lâminas de corte podem cortar as mãos gravemente.

## Segurança da área de trabalho

1. Opere a ferramenta apenas em condições de boa visibilidade e durante o dia. Não opere a ferramenta em ambiente escuro ou de nevoeiro.
2. Não opere a ferramenta em atmosferas explosivas, tais como na presença de líquidos, gases ou poeira inflamáveis. A ferramenta cria faíscas que podem inflamar as poeiras ou fumos.
3. Durante a operação, nunca esteja numa superfície instável ou escorregadia, nem uma zona muito inclinada. Durante a época fria, tenha cuidado com o gelo e a neve e garanta sempre uma base segura.
4. Durante a operação, mantenha os espetadores ou animais a, pelo menos, 15 m de distância da ferramenta. Pare a ferramenta assim que alguém se aproximar.
5. Nunca utilize a ferramenta quando estiverem

pessoas, especialmente crianças, ou animais nas proximidades.

6. Antes da operação, examine a área de trabalho para ver se há pedras ou outros objetos sólidos. Estes podem ser arremessados ou causar ressalto perigoso e resultar em ferimentos graves e/ou danos materiais.
7. **⚠AVISO:** A utilização deste produto pode criar pó com produtos químicos, o que pode causar doenças respiratórias ou outras doenças. Alguns exemplos destes produtos químicos são os compostos encontrados em pesticidas, inseticidas, fertilizantes e herbicidas. O risco a esta exposição varia, dependendo da frequência com que executa este tipo de trabalho. Para reduzir a sua exposição aos produtos químicos: trabalhe numa área bem ventilada e utilize equipamento de segurança adequado, como uma máscara contra o pó especialmente concebida para filtrar as partículas microscópicas.

## Segurança elétrica e da bateria

1. Não exponha a ferramenta à chuva ou a condições húmidas. A água que entra na ferramenta aumenta o risco de choque elétrico.
2. Não utilize a ferramenta se o interruptor não ligar e desligar a ferramenta. Qualquer ferramenta que não possa ser controlada com o interruptor é perigosa e tem de ser reparada.
3. Previna o arranque não intencional. Assegure que o interruptor está na posição de desligado antes de pegar na ferramenta ou transportá-la. Transportar a ferramenta com o dedo no interruptor ou dar energia a uma ferramenta que tenha o interruptor ligado pode dar origem a acidentes.
4. Não elimine a(s) bateria(s) no fogo. A célula pode explodir. Verifique com os códigos locais as possíveis instruções de eliminação especiais.
5. Não abra nem mutile a(s) bateria(s). O eletrólito libertado é corrosivo e pode provocar danos nos olhos ou na pele. Pode ser tóxico se for engolido.
6. Não carregue a bateria sob chuva ou em locais húmidos.
7. Não substitua a bateria com as mãos molhadas.
8. Não substitua a bateria à chuva.
9. Não molhe o terminal da bateria com líquido, tal como água, nem submerja a bateria. Não deixe a bateria à chuva nem carregue, utilize ou guarde a bateria num local húmido ou molhado. Se o terminal ficar molhado ou entrar líquido para a bateria, a bateria pode entrar em curto-circuito e existe um risco de sobreaquecimento, incêndio ou explosão.
10. Não ligue/desligue a ficha à/da tomada do adaptador de baterias tipo mochila em condições chuvosas ou de humidade. Não deixe, utilize ou guarde a ferramenta e o adaptador de baterias tipo mochila à chuva nem num local húmido ou molhado. Se o fizer pode causar choque elétrico.
11. Após remover a bateria do adaptador de baterias tipo mochila ou do carregador, certifique-se de que prende a tampa da bateria à bateria



e guarde-a num local seco.

12. Se a bateria ficar húmida, drene a água no interior e limpe-a com um pano seco. Seque a bateria completamente num local seco antes de utilizá-la.

## Colocar em funcionamento

1. Antes de montar ou ajustar a ferramenta, desligue o adaptador de baterias tipo mochila da ferramenta.
2. Antes de manusear a lâmina de corte, use luvas de proteção.
3. Antes de ligar o adaptador de baterias tipo mochila à ferramenta, inspecione a ferramenta quanto a danos, parafusos/porcas soltos ou montagem inadequada. Afie a lâmina de corte se estiver cega. Se a lâmina de corte estiver curva ou danificada, substitua-a. Verifique todas as alavancas de controlo e interruptores quanto a um funcionamento fácil. Limpe e seque as pegas.
4. Nunca tente ligar a ferramenta se estiver danificada ou não estiver completamente montada. Caso contrário, pode resultar em ferimentos graves.
5. Ajuste o arnês para o ombro e a pega manual de modo a adequar-se ao tamanho do corpo do operador.
6. Quando ligar o adaptador de baterias tipo mochila à ferramenta, mantenha o acessório de corte afastado do seu corpo e de outro objeto, incluindo o solo. Este pode rodar quando efetuar o arranque e causar lesões físicas ou danos na ferramenta e/ou propriedade.
7. Remova qualquer chave de ajuste, chave ou cobertura da lâmina antes de ligar a ferramenta. Um acessório deixado preso a uma peça rotativa da ferramenta pode resultar em ferimentos pessoais.
8. A ferramenta de corte tem de estar equipada com o resguardo. Nunca execute a ferramenta com resguardos danificados ou sem ter os resguardos instalados no lugar!
9. Certifique-se de que não há cabos elétricos, tubos de água, tubos de gás, etc., que possam constituir um perigo se danificados pela utilização da ferramenta.
5. Não se estique demasiado. Mantenha em todos os momentos uma base e equilíbrio adequados. Cuidado com os obstáculos oculares, como tocos de árvores, raízes e valas para evitar cair.
6. Mantenha-se sempre numa posição segura e firme ao trabalhar em declives.
7. Caminhe, nunca corra.
8. Nunca utilize a ferramenta em cima de uma escada ou árvore para evitar a perda de controlo.
9. Se a ferramenta receber um impacto forte ou cair, verifique o estado da mesma antes de continuar a trabalhar. Verifique se os controlos e os dispositivos de segurança estão a funcionar corretamente. Se detetar danos ou suspeitar da existência destes, solicite a respetiva inspeção e a reparação ao nosso centro de assistência autorizado.
10. Não toque na caixa de engrenagens durante e imediatamente após a operação. A caixa de engrenagens aquece durante o funcionamento e pode causar lesões por queimadura.
11. Descanse para prevenir a perda de controlo provocada pela fadiga. Recomendamos que descanse 10 a 20 minutos por cada hora de trabalho.
12. Quando deixar a ferramenta, mesmo que seja por um curto espaço de tempo, desligue sempre o adaptador de baterias tipo mochila da ferramenta. A ferramenta sem supervisão com a bateria instalada pode ser utilizada por pessoas não autorizadas e provocar acidentes graves.
13. Se a relva ou ramos ficarem presos entre o acessório de corte e o resguardo, desligue sempre a ferramenta e desligue o adaptador de baterias tipo mochila da ferramenta. Caso contrário, o implemento de corte pode rodar involuntariamente e causar um ferimento grave.
14. Nunca toque em peças perigosas em movimento antes de estas terem parado completamente e o adaptador de baterias tipo mochila ser desligado da ferramenta.
15. Se o implemento de corte atingir pedras ou outros objetos rijos, desligue imediatamente a ferramenta. Em seguida, desligue o adaptador de baterias tipo mochila da ferramenta e inspecione o acessório de corte.
16. Verifique o implemento de corte com frequência durante a operação para ver se apresenta rachas ou danos. Antes da inspeção, desligue o adaptador de baterias tipo mochila da ferramenta e certifique-se de que o acessório de corte para completamente. Substitua o implemento de corte danificado imediatamente, mesmo que tenha apenas rachas superficiais.
17. Nunca corte a uma altura acima da cintura.
18. Antes de iniciar a operação de corte, aguarde até o implemento atingir uma velocidade constante após ligar a ferramenta.
19. Quando utilizar uma lâmina de corte, balance a ferramenta uniformemente num semicírculo da direita para a esquerda à semelhança do uso de uma foice.
20. Segure a ferramenta apenas pelas superfícies

## Operação

1. Caso ocorra uma emergência, desligue imediatamente a ferramenta.
2. Se sentir alguma condição fora do comum (por exemplo, ruído, vibração) durante a operação, desligue a ferramenta e desligue o adaptador de baterias tipo mochila da ferramenta. Não utilize a ferramenta até a causa ser reconhecida e solucionada.
3. O implemento de corte continua a rodar por um período curto depois de desligar a ferramenta. Não tenha pressa em tocar no implemento de corte.
4. Durante a operação, utilize o arnês para o ombro. Mantenha a ferramenta firmemente do seu lado direito.

de agarrar isoladas, porque a lâmina de corte poderá tocar em fios ocultos. As lâminas de corte que tocam num fio sob tensão poderão colar sob tensão as peças metálicas expostas da ferramenta e podem provocar um choque elétrico no operador.

21. Não efetue o arranque da ferramenta quando a ferramenta de corte está emaranhada com relva cortada.
22. Antes de efetuar o arranque da ferramenta, certifique-se de que a ferramenta de corte não está a tocar no solo e noutros objetos, tais como uma árvore.
23. Durante a operação, segure sempre a ferramenta com as duas mãos. Nunca agarre na ferramenta só com uma mão durante a utilização.
24. Não utilize a ferramenta quando existe o risco de relâmpagos.
25. Quando utilizar a ferramenta em terreno lamacento, declives húmidos ou local escorregadio, preste atenção ao seu posicionamento.
26. Evite trabalhar num ambiente adverso no qual se preveja um aumento da fadiga do utilizador.
27. Não utilize a ferramenta em más condições atmosféricas, nas quais a visibilidade seja limitada. Caso contrário, pode ocorrer a queda ou a operação incorreta devido a baixa visibilidade.
28. Não submerja a ferramenta numa poça.
29. Não deixe a ferramenta sem supervisão no exterior à chuva.
30. Quando folhas molhadas ou sujidade aderirem à boca de sucção (janela de ventilação) devido a chuva, remova-as.
31. Não utilize a ferramenta na neve.

## Ferramentas de corte

1. Não utilize uma ferramenta de corte que não seja recomendada pela Makita.
2. Utilize um implemento de corte aplicável para o trabalho em mãos.
  - As cabeças de corte de nylon (cabeças de aparador de relva) e as lâminas de plástico são adequadas para aparar relvados.
  - As lâminas de corte são adequadas para cortar ervas, relva alta, matas, arbustos, vegetação rasteira, moitas e outros semelhantes.
  - Nunca utilize outras lâminas incluindo correntes giratórias de múltiplas peças em metal e lâminas de manguais. Poderá resultar em lesão grave.
3. Utilize apenas a ferramenta de corte marcada com uma velocidade igual ou superior à velocidade marcada na ferramenta.
4. Mantenha sempre as suas mãos, rosto e vestuário longe da ferramenta de corte quando estiver a rodar. Se não o fizer poderá causar lesões físicas.
5. Utilize sempre o resguardo do implemento de corte adequado para o implemento de corte utilizado.
6. Quando utilizar lâminas de corte, evite ressaltos e prepare-se sempre para um ressalto accidental. Consulte a secção Ressaltos.

7. Quando não estiver a utilizar a ferramenta, prenda a cobertura da lâmina à lâmina. Remova a tampa antes da utilização.

## Ressaltos (impulso da lâmina)

1. O ressalto (impulso da lâmina) é uma reação repentina a uma lâmina de corte presa ou torta. Quando ocorrer, a ferramenta é arremessada lateralmente ou na direção do operador com uma força significativa e pode provocar ferimentos graves.
2. Os ressaltos ocorrem particularmente quando o segmento da lâmina entre as 12 e as 2 horas é aplicado em objetos sólidos, arbustos e árvores com um diâmetro de 3 cm ou superior.

► Fig.2

3. Para evitar ressaltos:
  1. Aplique o segmento entre as 8 e as 11 horas.
  2. Nunca aplique o segmento entre as 12 e as 2 horas.
  3. Nunca aplique o segmento entre as 11 e as 12 horas e entre as 2 e as 5 horas, salvo se o operador estiver bem treinado e possuir experiência e decidir fazê-lo por sua conta e risco.
  4. Nunca utilize as lâminas de corte junto a objetos sólidos, tais como vedações, paredes, troncos de árvores e pedras.
  5. Nunca utilize as lâminas de corte na vertical para operações como aparar e aparar sebes.

► Fig.3

## Vibração

1. As pessoas com má circulação que sejam expostas a vibração excessiva podem experimentar lesões nos vasos sanguíneos ou no sistema nervoso. A vibração pode causar a ocorrência dos seguintes sintomas nos dedos, mãos ou pulsos: "Adormecimento" (dormência), formigueliro, dor, sensação aguda, alteração da cor da pele ou alteração da pele. Se ocorrer qualquer um destes sintomas, consulte um médico!
2. Para reduzir o risco de "doença do dedo branco", mantenha as mãos quentes durante o funcionamento, e realize a manutenção adequada da ferramenta e dos acessórios.

## Transporte

1. Antes de transportar a ferramenta, desligue-a e desligue o adaptador de baterias tipo mochila da ferramenta. Acople a tampa na lâmina de corte.
2. Quando transportar a ferramenta, faça-o numa posição horizontal segurando-a pelo eixo.
3. Quando transportar a ferramenta num veículo, fixe-a adequadamente para evitar tombar. Caso contrário, podem resultar danos na ferramenta e noutra bagagem.

## Manutenção

1. **Solicite uma reparação da sua ferramenta por parte do nosso centro de assistência autorizado utilizando sempre peças de substituição originais.** Uma reparação incorreta e uma má manutenção podem reduzir a vida da ferramenta e aumentar o risco de acidentes.
2. **Antes de realizar quaisquer trabalhos de manutenção ou reparação ou limpar a ferramenta, desligue-a sempre e desligue o adaptador de baterias tipo mochila da ferramenta.**
3. **Use sempre luvas de proteção quando manusear a lâmina de corte.**
4. **Limpe sempre a poeira e sujidade da ferramenta. Nunca utilize gasolina, benzina, diluente, álcool ou outro para esse fim.** Pode resultar em descoloração, deformação ou rachas dos componentes de plástico.
5. **Após cada utilização, aperte todos os parafusos e porcas.**
6. **Não tente realizar qualquer manutenção ou reparação que não estejam descritas neste manual de instruções. Peça ao nosso centro de assistência autorizado para realizar esse trabalho.**
7. **Utilize sempre apenas as nossas peças sobressalentes e acessórios genuínos.** A utilização de peças ou acessórios fornecidos por terceiros pode resultar na avaria da ferramenta, danos na propriedade e/ou ferimentos graves.
8. **Peça ao nosso centro de assistência autorizado para inspecionar e realizar a manutenção da ferramenta em intervalos regulares.**
9. **Mantenha sempre a ferramenta em boas condições de trabalho.** A má manutenção pode resultar num desempenho inferior e diminuir a vida útil da ferramenta.
10. **Não lave a ferramenta com água a alta pressão.**
11. **Quando lavar a ferramenta, não deixe entrar água nos mecanismos elétricos, tais como o motor e terminais.**
12. **Quando guardar a ferramenta, evite a luz solar direta e a chuva e guarde-a num local onde não fique quente ou húmido.**
13. **Realize a inspeção ou a manutenção num local no qual possa evitar-se a chuva.**
14. **Após utilizar a ferramenta, remova a sujidade aderida e seque a ferramenta completamente antes de guardá-la.** Dependendo da estação do ano ou da área, existe um risco de avaria devido a congelamento.
15. **Mantenha todas as entradas de ar de arrefecimento livres de resíduos.**

## Armazenamento

1. **Antes de armazenar a ferramenta, realize uma limpeza e manutenção totais. Desligue o adaptador de baterias tipo mochila da ferramenta. Aople a tampa na lâmina de corte.**
2. **Armazene a ferramenta num local seco e alto ou trancado, longe do alcance das crianças.**
3. **Não deixe a ferramenta encostada a nada,**

**como uma parede.** Caso contrário, pode cair repentinamente e provocar um ferimento.

## Primeiros socorros

1. **Tenha sempre um kit de primeiros socorros próximo de si. Substitua imediatamente qualquer item que tenha sido retirado do kit de primeiros socorros.**
2. **Quando pedir ajuda, indique a seguinte informação:**
  - Local do acidente
  - O que aconteceu
  - Número de pessoas feridas
  - Natureza da lesão
  - O seu nome

## Instruções de segurança importantes para a bateria

1. **Antes de utilizar a bateria, leia todas as instruções e etiquetas de precaução no (1) carregador de bateria (2) bateria e (3) produto que utiliza a bateria.**
2. **Não desmonte ou manipule a bateria.** Pode resultar num incêndio, em calor excessivo ou numa explosão.
3. **Se o tempo de funcionamento se tornar excessivamente curto, pare o funcionamento imediatamente. Pode resultar em sobreaquecimento, possíveis queimaduras e mesmo explosão.**
4. **Se entrar eletrólito nos seus olhos, lave-os com água e consulte imediatamente um médico. Pode resultar em perda de visão.**
5. **Não coloque a bateria em curto-circuito:**
  - (1) **Não toque nos terminais com qualquer material condutor.**
  - (2) **Evite guardar a bateria juntamente com outros objetos metálicos tais como pregos, moedas, etc.**
  - (3) **Não exponha a bateria à água ou chuva. Um curto-circuito pode ocasionar um enorme fluxo de corrente, sobreaquecimento, possíveis queimaduras e mesmo estragar-se.**
6. **Não guarde nem utilize a ferramenta e a bateria em locais onde a temperatura pode atingir ou exceder 50 °C.**
7. **Não queime a bateria mesmo que esteja estragada ou completamente gasta. A bateria pode explodir no fogo.**
8. **Não pregue, corte, esmague, atire, deixe cair a bateria, nem bata a bateria contra um objeto rijo.** Esta conduta pode resultar num incêndio, em calor excessivo ou numa explosão.
9. **Não utilize uma bateria danificada.**
10. **As baterias de íões de lítio contidas na ferramenta são sujeitas aos requisitos da DGL (Dangerous Goods Legislation - Legislação de bens perigosos).** Para o transporte comercial, por exemplo, por terceiros ou agentes de expedição, têm de ser observados os requisitos referentes à embalagem e etiquetagem.

Para preparação do artigo a ser expedido, é necessário consultar um perito em materiais perigosos. Tenha ainda em conta a possibilidade de existirem regulamentos nacionais mais detalhados.

Coloque fita-cola ou tape os contactos abertos e embale a bateria de tal forma que não possa mover-se dentro da embalagem.

11. **Quando eliminar a bateria, remova-a da ferramenta e elimine-a num local seguro. Siga os regulamentos locais relacionados com a eliminação de baterias.**
12. **Utilize as baterias apenas com os produtos especificados pela Makita.** Instalar as baterias em produtos não-conformes poderá resultar num incêndio, calor excessivo, explosão ou fuga de eletrólito.
13. **Se a ferramenta não for utilizada durante um período de tempo prolongado, a bateria deve ser removida da ferramenta.**
14. **Durante e após a utilização, a bateria pode aquecer, o que pode provocar queimaduras ou queimaduras a baixa temperatura. Preste atenção ao manuseamento de baterias quentes.**
15. **Não toque no terminal da ferramenta imediatamente após a utilização, pois pode ficar suficientemente quente para provocar queimaduras.**
16. **Não permita a adesão de aparas, pó ou sujidade nos terminais, nos orifícios e nas ranhuras da bateria.** Poderá fazer com que a ferramenta ou a bateria aqueça, incendeie, rebente e avarie, resultando em queimaduras ou ferimentos corporais.

17. **A menos que a ferramenta suporte a utilização perto de linhas elétricas de alta tensão, não utilize a bateria perto de linhas elétricas de alta tensão.** Pode resultar no mau funcionamento ou na avaria da ferramenta ou bateria.
18. **Mantenha a bateria afastada das crianças.**

## GUARDE ESTAS INSTRUÇÕES.

**⚠️PRECAUÇÃO:** Utilize apenas baterias genuínas da Makita. A utilização de baterias não genuínas da Makita ou de baterias que foram alteradas, pode resultar no rebentamento da bateria provocando incêndios, ferimentos pessoais e danos. Além disso, anulará da garantia da Makita no que se refere à ferramenta e ao carregador Makita.

## Conselhos para manter a máxima vida útil da bateria

1. **Carregue a bateria antes que esteja completamente descarregada. Pare sempre o funcionamento da ferramenta e carregue a bateria quando notar menos poder na ferramenta.**
2. **Nunca carregue uma bateria completamente carregada. Carregamento excessivo diminui a vida útil da bateria.**
3. **Carregue a bateria à temperatura ambiente de 10 °C – 40 °C. Deixe que uma bateria quente arrefeça antes de a carregar.**
4. **Quando não utilizar a bateria, remova-a da ferramenta ou do carregador.**
5. **Carregue a bateria se não a utilizar durante um longo período de tempo (mais de seis meses).**

## DESCRIÇÃO DAS PEÇAS

► Fig.4






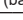
1	Indicador de velocidade	2	Indicador de ADT (ADT = Automatic Torque Drive Technology (Tecnologia de acionamento automático do binário))	3	Luz de precaução	4	Botão de alimentação principal
5	Botão de inversão	6	Ficha	7	Alavanca de desbloqueio	8	Gatilho
9	Anexo	10	Pega	11	Barreira	12	Botão
13	Protetor	14	Extensão do protetor (para cabeça de corte de nylon/lâmina de plástico)	15	Fita para pendurar	-	-

## DESCRIÇÃO FUNCIONAL

**AVISO:** Certifique-se sempre de que a ferramenta está desligada e que o adaptador de baterias tipo mochila foi desligado da ferramenta antes de ajustar ou verificar o funcionamento na ferramenta. Não desligar a ferramenta e não desligar o adaptador de baterias tipo mochila pode resultar em ferimentos pessoais graves devido a arranque acidental.

### Sistema de proteção da ferramenta/bateria

A ferramenta está equipada com um sistema de proteção da ferramenta/bateria. Este sistema desliga automaticamente a alimentação do motor para prolongar a vida útil da ferramenta e da bateria. A ferramenta para automaticamente durante o funcionamento se estiver sujeita a uma das seguintes condições:

Luz de precaução		Estado
Cor	 Aceso  A piscar	
Verde		Sobrecarga
Vermelho	 (ferramenta) /  (bateria)	Sobreaquecimento
Vermelho		Sobredescarga

### Proteção contra sobrecarga

Se a ferramenta deparar-se com uma das seguintes situações, a ferramenta para automaticamente e a luz de precaução começa a piscar a verde:

- A ferramenta está sobrecarregada com ervas enredadas ou outros detritos.
- A ferramenta de corte está bloqueada ou ressalta.
- O botão de alimentação principal acende enquanto o gatilho do interruptor estiver a ser puxado.

Nesta situação, solte o gatilho do interruptor e remova as ervas enredadas ou os detritos, se necessário. Em seguida, puxe novamente o gatilho do interruptor para retomar o funcionamento.

**PRECAUÇÃO:** Se necessitar de remover as ervas enredadas na ferramenta ou soltar a ferramenta de corte bloqueada, certifique-se de que desliga a ferramenta antes de iniciar.

### Proteção contra sobreaquecimento da ferramenta ou bateria

Se a ferramenta ou a bateria estiver sobreaquecida, a ferramenta para automaticamente. Quando a ferramenta estiver sobreaquecida, a luz de precaução acende a vermelho. Quando a bateria estiver sobreaquecida, a luz de precaução pisca a vermelho. Deixe a ferramenta e/ou bateria arrefecer antes de a voltar a ligar.

### Proteção contra descarga excessiva

Quando a capacidade da bateria diminuir, a ferramenta para automaticamente e a luz de precaução começa a piscar a vermelho.

Se a ferramenta não funcionar mesmo quando os interruptores são acionados, retire a bateria da ferramenta e carregue-a.

### Interruptor de alimentação principal

Toque no botão de alimentação principal para ligar a ferramenta.

Para desligar a ferramenta, prima e mantenha premido o botão de alimentação principal até o indicador de velocidade apagar.

► **Fig.5:** 1. Indicador de velocidade 2. Botão de alimentação principal

**NOTA:** A ferramenta desliga automaticamente se não for utilizada por um determinado período.

### Ação do interruptor

**AVISO:** Para sua segurança, esta ferramenta está equipada com uma alavanca de segurança que impede o arranque acidental da ferramenta. **NUNCA** utilize a ferramenta se funcionar quando simplesmente prime o gatilho do interruptor sem premir a alavanca de segurança. Devolva a ferramenta ao nosso centro de assistência autorizado para proceder a reparações adequadas ANTES de continuar a utilizá-la.

**AVISO:** **NUNCA** utilize fita-cola nem tente anular a finalidade e funcionamento da alavanca de desbloqueio.

**PRECAUÇÃO:** Antes de ligar o adaptador de baterias tipo mochila à ferramenta, verifique sempre se o gatilho do interruptor funciona adequadamente e volta à posição de desligado quando libertado. Utilizar uma ferramenta com um interruptor que não funciona corretamente pode provocar a perda de controlo e resultar em ferimentos pessoais graves.

**PRECAUÇÃO:** Nunca coloque o dedo no botão de alimentação principal e no gatilho do interruptor quando transportar a ferramenta. A ferramenta pode arrancar inadvertidamente e causar ferimentos.

**OBSERVAÇÃO:** Não puxe o gatilho com força sem premir a alavanca de desbloqueio. Pode partir o gatilho.

De modo a impedir que o gatilho do interruptor seja pressionado acidentalmente, é disponibilizada uma alavanca de segurança. Para efetuar o arranque da ferramenta, pressione a alavanca de segurança e prima o gatilho do interruptor. A velocidade da ferramenta aumenta ao aumentar a pressão no gatilho do interruptor. Solte o gatilho do interruptor para parar.

**UR101C**










► **Fig.6:** 1. Alavanca de segurança 2. Gatilho do interruptor

► Fig.7: 1. Alavanca de desbloqueio 2. Gatilho do interruptor

## Ajuste da velocidade

Pode seleccionar a velocidade da ferramenta tocando no botão de alimentação principal. Sempre que tocar no botão de alimentação principal, o nível de velocidade muda. A ferramenta ajusta automaticamente a velocidade de rotação de acordo com a ferramenta de corte acoplada à ferramenta.

► Fig.8: 1. Indicador de velocidade 2. Botão de alimentação principal


Indicador de velocidade	Modo	Velocidade de rotação	
		Lâmina de corte Lâmina de plástico (305 mm)	Cabeça de corte de nylon Lâmina de plástico (255 mm)
3  2  1 	Alto	0 - 7.000 min <sup>-1</sup>	0 - 5.500 min <sup>-1</sup>
3  2  1 	Médio	0 - 5.500 min <sup>-1</sup>	0 - 5.000 min <sup>-1</sup>
3  2  1 	Baixo	0 - 4.600 min <sup>-1</sup>	0 - 4.600 min <sup>-1</sup>

## Tecnologia de acionamento automático do binário

Quando liga a tecnologia de acionamento automático do binário (ADT), a ferramenta funciona a uma velocidade de rotação e binário ideais para a condição da relva a cortar. A ferramenta deteta automaticamente a ferramenta de corte acoplada e escolhe uma velocidade de rotação adequada.

Para iniciar a ADT, pressione o botão de inversão e mantenha-o pressionado até o indicador de ADT ligar. Para parar a ADT, pressione o botão de inversão e mantenha-o pressionado até o indicador de ADT desligar.

► Fig.9: 1. Indicador de ADT 2. Botão de inversão

Indicador	Modo	Ferramenta de corte	Velocidade de rotação
	ADT	Lâmina de corte Lâmina de plástico (305 mm)	3.500 - 7.000 min <sup>-1</sup>
		Cabeça de corte de nylon Lâmina de plástico (255 mm)	3.500 - 5.500 min <sup>-1</sup>

## Botão de inversão para a remoção de detritos

**AVISO:** Desligue a ferramenta e desligue o adaptador de baterias tipo mochila da ferramenta antes de remover as ervas enredadas ou os detritos que a função de rotação inversa não conseguir remover. O não cumprimento desta instrução pode resultar em ferimentos pessoais graves devido a arranque acidental.

Esta ferramenta tem um botão de inversão para mudar a direção de rotação. Serve apenas para remover as ervas e os resíduos enredados na ferramenta.

Para inverter a rotação, toque no botão de inversão e puxe o gatilho do interruptor enquanto pressiona a alavanca de desbloqueio quando a ferramenta de corte estiver parada. Os indicadores de velocidade e o indicador de ADT começam a piscar e a ferramenta de corte roda na direção inversa quando puxa o gatilho do interruptor.

Para voltar à rotação normal, solte o gatilho e aguarde até a ferramenta de corte parar.

► Fig.10: 1. Indicador de velocidade 2. Indicador de ADT 3. Botão de inversão

**NOTA:** Durante a rotação de inversão, a ferramenta opera apenas durante um curto período de tempo e, depois, para automaticamente.

**NOTA:** Assim que a ferramenta para, a rotação volta à direção normal assim que voltar a ligar a ferramenta.

**NOTA:** Se tocar no botão de inversão enquanto a ferramenta de corte ainda está a rodar, a ferramenta para e fica pronta para a rotação inversa.

## Travão elétrico

Esta ferramenta está equipada com um travão elétrico. Se a ferramenta consistentemente não parar rapidamente após a libertação do gatilho do interruptor, solicite a reparação da ferramenta no nosso centro de assistência.

**PRECAUÇÃO:** Este sistema de travão não substitui o protetor. Nunca utilize a ferramenta sem o protetor. Uma ferramenta de corte sem resguardo pode resultar em ferimentos pessoais graves.

## Função eletrónica

### Controlo constante da velocidade

A função de controlo da velocidade assegura a velocidade constante da rotação independentemente das condições de carga.

### Funcionalidade de arranque suave

Arranque suave devido ao choque de arranque suprimido.

# MONTAGEM

**⚠️ AVISO:** Certifique-se sempre de que a ferramenta está desligada e que o adaptador de baterias tipo mochila foi desligado da ferramenta antes de efetuar quaisquer trabalhos na ferramenta. Não desligar a ferramenta e não desligar o adaptador de baterias tipo mochila pode resultar em ferimentos pessoais graves devido a arranque acidental.

**⚠️ AVISO:** Nunca ponha a ferramenta a funcionar a não ser quando está completamente montada. A operação da ferramenta num estado parcialmente montado pode resultar em ferimentos pessoais graves provocados pelo arranque acidental.

## Instalar a pega

### Para UR101C

1. Insira o eixo da pega no punho. Alinhe o orifício do parafuso no punho com o orifício no eixo. Aperte o parafuso firmemente.

► Fig.11: 1. Punho 2. Parafuso 3. Eixo

**OBSERVAÇÃO:** Anote a direção do punho. Os furos de parafusos não ficam alinhados se o punho não for inserido na direção correta.

2. Coloque a mola na base.

► Fig.12: 1. Botão 2. Braçadeira da pega 3. Pega 4. Suporte da pega 5. Mola 6. Base

3. Coloque a pega entre a braçadeira da pega e o suporte da pega.

4. Prenda a pega temporariamente ao apertar o botão e ajuste a posição da pega.

5. Aperte o botão totalmente.

### Para UR201C

1. Prenda as braçadeiras superior e inferior no amortecedor.

2. Coloque a pega na braçadeira superior e fixe-a com pernos de cabeça sextavada, conforme ilustrado.

► Fig.13: 1. Perno de cabeça sextavada 2. Pega 3. Braçadeira superior 4. Amortecedor 5. Braçadeira inferior

## Prender a barreira

**Apenas para o modelo de pega circular (específico para o país)**

Se a barreira estiver incluída no seu modelo, aperte-a à pega utilizando o parafuso na barreira.

► Fig.14: 1. Barreira 2. Parafuso

**⚠️ PRECAUÇÃO:** Depois de montar a barreira, não a retire. A barreira funciona como uma peça de segurança para evitar que entre acidentalmente em contacto com a lâmina de corte.

## Armazenamento da chave hexagonal

**⚠️ PRECAUÇÃO:** Tenha cuidado para não deixar a chave hexagonal inserida na cabeça da ferramenta. Pode causar ferimentos e/ou danos na ferramenta.

Quando não estiver a ser utilizada, guarde a chave hexagonal conforme ilustrado para evitar perdê-la.

► Fig.15: 1. Chave hexagonal

Para o modelo de pega de bicicleta, a chave hexagonal pode ser armazenada na braçadeira da pega conforme ilustrado.

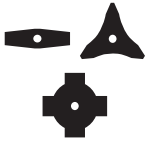

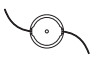
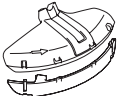

► Fig.16: 1. Chave hexagonal 2. Braçadeira da pega

Para o modelo de pega circular, a chave hexagonal pode ser armazenada na pega conforme ilustrado.

► Fig.17: 1. Chave hexagonal

## Combinação correta da ferramenta de corte e do protetor

**⚠️ PRECAUÇÃO:** Utilize sempre a combinação correta de ferramenta de corte e de protetor. A combinação errada pode não o proteger da ferramenta de corte, de detritos projetados e pedras. Pode também afetar o equilíbrio da ferramenta e resultar em ferimentos.

Ferramenta de corte	Protetor
Lâmina de corte (lâminas de 2 dentes, 3 dentes e 4 dentes) 	
Cabeça de corte de nylon 	
Lâmina de plástico 	

## Instalar o protetor

**⚠️ AVISO:** Nunca utilize a ferramenta sem o resguardo ou com o resguardo instalado incorretamente. O não cumprimento deste passo pode provocar ferimentos pessoais graves.

**NOTA:** O tipo de protetor fornecido como acessórios padrão varia em função do país.

## Para a lâmina de corte

Prenda o protetor à braçadeira com pernos.

► **Fig.18:** 1. Braçadeira 2. Protetor

## Para cabeça de corte de nylon/lâmina de plástico

**⚠PRECAUÇÃO:** Tenha cuidado para não se magoar no dispositivo de corte quando cortar o fio.

Prenda o protetor à braçadeira com pernos. Em seguida, instale a extensão do protetor. Insira a extensão do protetor no protetor e, em seguida, encaixe os cliques. Certifique-se de que as abas na extensão do protetor encaixam nas ranhuras no protetor.

► **Fig.19:** 1. Protetor 2. Clipe 3. Extensão do protetor 4. Cortador 5. Entalhe 6. Aba

Para remover a extensão do protetor do protetor, desencaixe os cliques inserindo a chave hexagonal conforme ilustrado.

► **Fig.20:** 1. Chave hexagonal 2. Clipe

## Instalar a ferramenta de corte

**⚠PRECAUÇÃO:** Utilize sempre as chaves fornecidas para remover ou instalar a ferramenta de corte.

**⚠PRECAUÇÃO:** Certifique-se de que remove a chave hexagonal inserida na cabeça da ferramenta após instalar a ferramenta de corte.

**NOTA:** O tipo de ferramenta(s) de corte fornecido(s) como acessórios padrão varia em função do país. A ferramenta de corte não é incluída em alguns países.

**NOTA:** Vire a ferramenta ao contrário para poder substituir facilmente a ferramenta de corte.

## Lâmina de corte

**⚠PRECAUÇÃO:** Quando manusear a lâmina de corte, use sempre luvas e coloque a cobertura da lâmina na lâmina.

**⚠PRECAUÇÃO:** A lâmina de corte tem de ser bem polida, livre de fissuras ou quebra. Se a lâmina de corte bater contra uma pedra durante a operação, pare a ferramenta e inspecione a lâmina de corte imediatamente.

**⚠PRECAUÇÃO:** Utilize sempre a lâmina de corte com o diâmetro descrito na secção de especificações.

1. Coloque a cobertura da lâmina na lâmina de corte.

**Lâmina de 2 dentes**

► **Fig.21**

**Lâmina de 3 dentes**

► **Fig.22**

## Lâmina de 4 dentes

► **Fig.23**

2. Insira a chave hexagonal através do orifício na caixa de engrenagens para bloquear o eixo. Rode o eixo até a chave hexagonal estar totalmente inserida.

► **Fig.24:** 1. Porca 2. Copo 3. Anilha de aperto 4. Lâmina de corte 5. Eixo 6. Anilha de receção 7. Chave hexagonal

3. Monte a lâmina de corte na anilha de receção de modo que as setas na lâmina de corte e no protetor apontem na mesma direção.

► **Fig.25:** 1. Seta

4. Coloque a anilha de aperto e o copo na lâmina de corte e, em seguida, aperte a porca em segurança com a chave de caixa.

► **Fig.26:** 1. Chave de caixa 2. Chave hexagonal 3. Soltar 4. Apertar

**NOTA:** Binário de aperto: 20 - 30 N•m

5. Remova a chave hexagonal da caixa de engrenagens.

Para remover a lâmina de corte, siga os procedimentos de instalação na ordem inversa.

## Cabeça de corte de nylon

**OBSERVAÇÃO:** Certifique-se de que utiliza cabeças de corte de nylon genuínas da Makita.

Existem dois tipos de cabeça de corte de nylon; o tipo de batente e alimentação e o tipo de alimentação manual.

**Tipo de batente e alimentação**

► **Fig.27:** 1. Cabeça de corte de nylon 2. Eixo 3. Chave hexagonal 4. Soltar 5. Apertar

1. Insira a chave hexagonal através do orifício na caixa de engrenagens para bloquear o eixo. Rode o eixo até a chave hexagonal estar totalmente inserida.

2. Coloque a cabeça de corte de nylon sobre o eixo e aperte-a firmemente, rodando-a manualmente.

3. Remova a chave hexagonal da caixa de engrenagens.

Para remover a cabeça de corte de nylon, siga os procedimentos de instalação na ordem inversa.

**Tipo de alimentação manual**

► **Fig.28:** 1. Porca 2. Cabeça de corte de nylon 3. Eixo 4. Chave hexagonal

1. Insira a chave hexagonal através do orifício na caixa de engrenagens para bloquear o eixo. Rode o eixo até a chave hexagonal estar totalmente inserida.

2. Coloque a cabeça de corte de nylon sobre o eixo e aperte a porca com segurança com a chave de caixa.

► **Fig.29:** 1. Chave de caixa 2. Chave hexagonal 3. Soltar 4. Apertar

3. Remova a chave hexagonal da caixa de engrenagens.

Para remover a cabeça de corte de nylon, siga os procedimentos de instalação na ordem inversa.



## Lâmina de plástico

**OBSERVAÇÃO:** Certifique-se de que utiliza lâminas de plástico originais da Makita.

► **Fig.30:** 1. Lâmina de plástico 2. Eixo 3. Chave hexagonal 4. Soltar 5. Apertar

1. Insira a chave hexagonal através do orifício na caixa de engrenagens para bloquear o eixo. Rode o eixo até a chave hexagonal estar totalmente inserida.
2. Coloque a lâmina de plástico no eixo e aperte-a firmemente, rodando-a manualmente.
3. Remova a chave hexagonal da caixa de engrenagens.

Para remover a lâmina de plástico, siga os procedimentos de instalação ao contrário.

## OPERAÇÃO

### Ajustar a posição de trabalho

**⚠PRECAUÇÃO:** Antes de realizar este procedimento, instale a(s) bateria(s) no adaptador de baterias tipo mochila e termine os ajustes para o cinto e o arnês para o ombro. Consulte o manual de instruções do adaptador de baterias tipo mochila para obter informações.

**⚠PRECAUÇÃO:** Para evitar o arranque não intencional, nunca ligue o adaptador de baterias tipo mochila ao longo deste procedimento. A(s) bateria(s) deve(m) ser instalada(s) apenas para alcançar a capacidade de utilização com um equilíbrio de peso efetivo.

**⚠PRECAUÇÃO:** Quando utilizar a ferramenta em combinação com a fonte de alimentação tipo mochila como o adaptador de baterias tipo mochila, utilize a fita para pendurar incluída na embalagem da ferramenta ou a fita para pendurar recomendada pela Makita.

Se colocar o arnês para o ombro não recomendado pela Makita e o arnês para o ombro da fonte de alimentação tipo mochila ao mesmo tempo, a remoção da ferramenta ou da fonte de alimentação tipo mochila é difícil em caso de emergência e pode causar um acidente ou ferimentos. Para obter a fita para pendurar recomendada, solicite-a nos centros de assistência autorizados da Makita.

1. Puxe o cabo do lado direito do adaptador de baterias tipo mochila. Quando puxar o cabo, certifique-se de que coloca o cabo nos suportes conforme indicado na figura.

► **Fig.31:** 1. Cabo 2. Suporte

2. Prenda os ganchos da fita para pendurar aos anéis dos cintos de ombro ou do arnês para a cintura conforme apresentado na figura.

**Prender a fita para pendurar ao cinto de ombro**

► **Fig.32:** 1. Fita para pendurar 2. Anel 3. Gancho

**Prender a fita para pendurar ao cinto de ombro e cinto**

► **Fig.33:** 1. Fita para pendurar 2. Anel 3. Gancho

3. Utilize o arnês para o ombro do adaptador de baterias tipo mochila e feche a fivela no cinto.

► **Fig.34**

Ajuste o comprimento da fita para pendurar conforme necessário.

► **Fig.35**

4. Prenda a ferramenta ao arnês para o ombro utilizando o gancho na fita para pendurar. Certifique-se de que engancha no anexo da ferramenta.

**UR101C**

► **Fig.36:** 1. Gancho 2. Anexo

**UR201C**

► **Fig.37:** 1. Gancho 2. Anexo

5. Insira a ficha da ferramenta na tomada do adaptador de baterias tipo mochila.

Quando inserir, alinhe a marca de triângulo tanto na ficha como na tomada.

**UR101C**

► **Fig.38:** 1. Ficha 2. Tomada 3. Marca de triângulo

**UR201C**

► **Fig.39:** 1. Ficha 2. Tomada 3. Marca de triângulo

6. Ajuste o comprimento do cabo utilizando o suporte conforme necessário.

► **Fig.40:** 1. Suporte

O comprimento do cabo está devidamente ajustado quando é possível:

- balançar a ferramenta sem qualquer obstáculo pelo cabo;
- balançar a ferramenta sem deixar o cabo cair; e
- desligar a ficha da tomada sem retirar o arnês para o ombro do adaptador de baterias tipo mochila.

**⚠PRECAUÇÃO:** Permita que o cabo tenha uma folga adequada entre a ferramenta e o adaptador de baterias tipo mochila. Se a folga for muito pequena, o movimento da ferramenta pode ser dificultado. Se a folga for muito grande, o cabo pode ficar preso por outro objeto e dar origem a acidentes.

### Ajustar a posição do anexo

**Apenas para UR101C**

Para manusear a ferramenta mais confortavelmente, pode alterar a posição do anexo.

1. Solte o parafuso no anexo e deslize-o para uma posição de trabalho confortável.

► **Fig.41:** 1. Anexo 2. Parafuso 3. Cabo

**OBSERVAÇÃO:** Quando ajustar a posição do anexo, ajuste também a posição do cabo.

2. Ajuste a posição do anexo conforme ilustrado na figura e, em seguida, aperte o parafuso.

► **Fig.42**

1	A posição do anexo a partir do solo
2	A posição da ferramenta de corte a partir do solo
3	A distância horizontal entre o anexo e a parte sem resguardo da ferramenta de corte

## Iniciar a operação

**⚠PRECAUÇÃO:** Antes da operação, termine o ajuste da posição de trabalho seguindo as instruções na secção relativa à posição de trabalho.

**⚠PRECAUÇÃO:** Antes da operação, certifique-se de que as fivelas no cinto estão fechadas e que a ferramenta está firmemente presa ao gancho da fita para pendurar.

**⚠PRECAUÇÃO:** Pressione sempre o botão de alimentação principal para ligar a ferramenta imediatamente antes de cortar relva. O não cumprimento desta instrução pode causar ferimentos pessoais devido a arranque não intencional.

1. Instale a(s) bateria(s) no adaptador de baterias tipo mochila.

- **Fig.43:** 1. Adaptador de baterias tipo mochila  
2. Bateria

**NOTA:** Consulte o manual de instruções do seu adaptador de baterias tipo mochila para saber como instalar as baterias.

2. Pressione o botão de alimentação no adaptador de baterias tipo mochila. A lâmpada de alimentação principal acende.

- **Fig.44:** 1. Lâmpada de alimentação principal  
2. Botão de alimentação

3. Utilize o arnês para o ombro do adaptador de baterias tipo mochila e feche a fivela no cinto.

- **Fig.45**

4. Prenda a ferramenta ao arnês para o ombro utilizando o gancho na fita para pendurar. Certifique-se de que engancha no anexo da ferramenta.

### UR101C

- **Fig.46:** 1. Gancho 2. Anexo

### UR201C

- **Fig.47:** 1. Gancho 2. Anexo

5. Insira a ficha da ferramenta na tomada do adaptador de baterias tipo mochila.

Quando inserir, alinhe a marca de triângulo tanto na ficha como na tomada.

### UR101C

- **Fig.48:** 1. Ficha 2. Tomada 3. Marca de triângulo

### UR201C

- **Fig.49:** 1. Ficha 2. Tomada 3. Marca de triângulo

6. Toque no botão de alimentação principal para ligar a ferramenta.

A ferramenta está pronta a operar. A ferramenta funciona quando puxa o gatilho do interruptor.

- **Fig.50:** 1. Botão de alimentação principal

**⚠PRECAUÇÃO:** Quando suspender a operação, desligue sempre a ferramenta e remova a ficha da tomada. O não cumprimento desta instrução pode causar ferimentos pessoais devido a arranque não intencional.

Quando desistir da operação, pressione e mantenha o botão de alimentação principal pressionado até o indicador de velocidade apagar e, em seguida, realize o procedimento anterior pela ordem inversa.

## Manuseamento correto da ferramenta

**⚠AVISO:** Posicione sempre a ferramenta no seu lado direito. O posicionamento correto da ferramenta permite o controlo máximo e reduz o risco de ferimentos pessoais graves provocados pelos ressaltos.

**⚠AVISO:** Tenha extremo cuidado para manter o controlo da ferramenta em todos os momentos. Não permita que a ferramenta se desvie na sua direção ou na de outras pessoas nas proximidades do trabalho. Se não conseguir manter o controlo da ferramenta, pode provocar ferimentos graves nos espetadores e no operador.

**⚠AVISO:** Para evitar acidentes, deixe uma distância superior a 15 m entre os operadores quando dois ou mais operadores trabalharem numa área. Além disso, disponha de uma pessoa para observar a distância entre os operadores. Se uma pessoa ou um animal entrar na área de trabalho, pare imediatamente a operação.

**⚠PRECAUÇÃO:** Se a ferramenta de corte bater acidentalmente contra uma rocha ou outro objeto rijo durante a operação, pare a ferramenta e inspecione-a para ver se apresenta danos. Se a ferramenta de corte estiver danificada, substitua-a imediatamente. A utilização de uma ferramenta de corte danificada pode resultar em ferimentos pessoais graves.

**⚠PRECAUÇÃO:** Remova a cobertura da lâmina da lâmina de corte quando cortar a relva.

O posicionamento e o manuseamento corretos da ferramenta permitem o controlo ideal e reduzem o risco de ferimentos provocados pelos ressaltos.

### UR101C

- **Fig.51**

### UR201C

- **Fig.52**

**Quando utilizar uma cabeça de corte de nylon (tipo de batente e alimentação)**

A cabeça de corte de nylon é uma cabeça de aparar com corda dupla fornecida com um mecanismo de batente e alimentação.

Para o fio de nylon sair do alimentador, toque com a cabeça de corte na terra durante a rotação.

- **Fig.53:** 1. Área de corte mais eficaz

**OBSERVAÇÃO:** O alimentador de batente não funciona adequadamente se a cabeça de corte de nylon não estiver a rodar.

**NOTA:** Se o fio de nylon não sair enquanto toca com a cabeça, rebobine/substitua o fio de nylon seguindo os procedimentos descritos na secção referente a manutenção.

## Desprendimento de emergência

**PRECAUÇÃO:** Em caso de desprendimento de emergência, preste particular atenção à posição da ferramenta de corte em rotação.

Em caso de emergência, desprenda a ferramenta de qualquer uma das formas abaixo descritas:

Abra a fivela no cinto e retire o arnês para o ombro do adaptador de baterias tipo mochila que está ligado à ferramenta.

► **Fig.54:** 1. Fivela

Abra a fivela na fita para pendurar e solte a ferramenta. O cabo será desligado pelo peso da ferramenta.

► **Fig.55:** 1. Fivela

## MANUTENÇÃO

**AVISO:** Certifique-se sempre de que a ferramenta está desligada e que o adaptador de baterias tipo mochila foi desligado da ferramenta antes de tentar efetuar uma inspeção ou manutenção na ferramenta. Não desligar a ferramenta e não desligar o adaptador de baterias tipo mochila pode resultar em ferimentos pessoais graves devido a arranque acidental.

**OBSERVAÇÃO:** Nunca utilize gasolina, benzina, diluente, álcool ou produtos semelhantes. Pode ocorrer a descoloração, deformação ou rachaduras.

Para manter a SEGURANÇA e a FIABILIDADE do produto, as reparações e qualquer outra manutenção ou ajuste devem ser levados a cabo pelos centros de assistência Makita autorizados ou pelos centros de assistência de fábrica, utilizando sempre peças de substituição Makita.

## Limpar a ferramenta

Limpe a ferramenta retirando o pó, sujidade ou relva cortada com um pano seco ou um embebido em água com sabão e torça. Para evitar o sobreaquecimento da ferramenta, certifique-se de que remove a relva cortada ou os resíduos que tenham aderido à abertura de

ventilação da ferramenta.

## Substituição do fio de nylon

**AVISO:** Utilize apenas fio de nylon com o diâmetro especificado neste manual de instruções. Nunca utilize uma linha mais pesada, fio metálico, corda ou outro semelhante. O não cumprimento desta recomendação pode causar danos na ferramenta e resultar em ferimentos pessoais graves.

**AVISO:** Retire sempre a cabeça de corte de nylon da ferramenta quando substituir o fio de nylon.

**AVISO:** Certifique-se de que a tampa da cabeça de corte de nylon está corretamente fixada na caixa conforme descrito neste manual de instruções. Se não fixar adequadamente a tampa, a cabeça de corte de nylon pode desfazer-se e ser arremessada para longe provocando ferimentos pessoais graves.

Substitua o fio de nylon se o fio deixar de alimentar. O método de substituição do fio de nylon varia em função do tipo de cabeça de corte de nylon.

### 95-M10L

► **Fig.56**

### 96-M10L

► **Fig.57**

### 98-M10L

► **Fig.58**

### B&F ECO 4L

► **Fig.59**

### UN-74L, UN-72L

► **Fig.60**

## Tipo de alimentação manual

Quando o fio de nylon ficar curto, puxe-o para fora do olhal e alimente-o a partir de outro olhal.

► **Fig.61**

## Substituir a lâmina de plástico

Substitua a lâmina de plástico se estiver gasta ou partida.

► **Fig.62**

Quando instalar a lâmina de plástico, alinhe o sentido da seta na lâmina com o sentido da seta do protetor.

► **Fig.63:** 1. Seta no protetor 2. Seta na lâmina

## RESOLUÇÃO DE PROBLEMAS

Antes de pedir uma reparação, realize primeiro a sua própria inspeção. Se encontrar um problema que não esteja explicado no manual, não tente desmontar a ferramenta. Em vez disso, peça as reparações nos centros de

assistência técnica autorizados da Makita, usando sempre peças de substituição da Makita.

Estado da anomalia	Causa provável (avaria)	Correção
O motor não funciona.	A bateria não está instalada.	Instale a bateria.
	Problema com a bateria (baixa tensão)	Recarregue a bateria. Se recarregar a bateria não solucionar o problema, substitua a bateria.
	O sistema de acionamento não funciona corretamente.	Peça a reparação no centro de assistência autorizado local.
O motor para de funcionar após pouco uso.	O nível de carga da bateria está baixo.	Recarregue a bateria. Se recarregar a bateria não solucionar o problema, substitua a bateria.
	Sobreaquecimento.	Pare a utilização da ferramenta para que ela possa arrefecer.
A ferramenta não atinge a RPM máxima.	A bateria não está instalada corretamente.	Instale a bateria como descrito neste manual.
	A potência da bateria está a baixar.	Recarregue a bateria. Se recarregar a bateria não solucionar o problema, substitua a bateria.
	O sistema de acionamento não funciona corretamente.	Peça a reparação no centro de assistência autorizado local.
A ferramenta de corte não roda: ⇒ pare a máquina imediatamente!	Há um objeto estranho, como um ramo, encravado entre o resguardo e a ferramenta de corte.	Retire o objeto estranho.
	A ferramenta de corte está acoplada folgadamente.	Aperte a ferramenta de corte com segurança.
	O sistema de acionamento não funciona corretamente.	Peça a reparação no centro de assistência autorizado local.
Vibração anormal: ⇒ pare a máquina imediatamente!	Ferramenta de corte partida, curvada ou desgasta	Substitua a ferramenta de corte.
	A ferramenta de corte está acoplada folgadamente.	Aperte a ferramenta de corte com segurança.
	O sistema de acionamento não funciona corretamente.	Peça a reparação no centro de assistência autorizado local.
A ferramenta de corte e o motor não param: ⇒ Desligue imediatamente o adaptador de baterias tipo mochila da ferramenta!	Falha de funcionamento elétrica ou eletrônica.	Desligue o adaptador de baterias tipo mochila da ferramenta e peça a reparação no centro de assistência autorizado local.

## ACESSÓRIOS OPCIONAIS

**⚠️ AVISO:** Utilize apenas os acessórios ou complementos recomendados indicados neste manual. A utilização de qualquer outro acessório ou complemento pode resultar em ferimentos pessoais graves.

**⚠️ PRECAUÇÃO:** Estes acessórios ou peças são recomendados para utilização com a ferramenta Makita especificada neste manual. A utilização de outros acessórios ou peças pode ser perigosa para as pessoas. Utilize apenas acessórios ou peças para os fins indicados.

Se necessitar de informações adicionais relativas a estes acessórios, solicite-as ao seu centro de assistência Makita.

- Lâmina de corte
- Cabeça de corte de nylon
- Fio de nylon (linha de corte)
- Lâmina de plástico

- Protetor
- Bateria e carregador genuínos da Makita

**NOTA:** Alguns itens da lista podem estar incluídos na embalagem da ferramenta como acessórios padrão. Eles podem variar de país para país.

## ΠΡΟΔΙΑΓΡΑΦΕΣ

Μοντέλο:		UR101C	UR201C
Τύπος χειρολαβής		Χερούλι ποδηλάτου	Χερούλι σχήματος βρόχου
Ταχύτητα χωρίς φορτίο (σε κάθε επίπεδο ταχύτητας περιστροφής)	Κοπτική λάμα Πλαστική λάμα (305 mm)	3: 0 - 7.000 min <sup>-1</sup> 2: 0 - 5.500 min <sup>-1</sup> 1: 0 - 4.600 min <sup>-1</sup>	
	Κεφαλή κοπής με νάιλον Πλαστική λάμα (255 mm)	3: 0 - 5.500 min <sup>-1</sup> 2: 0 - 5.000 min <sup>-1</sup> 1: 0 - 4.600 min <sup>-1</sup>	
Συνολικό μήκος (χωρίς κοπτικό εργαλείο)		1.760 mm	1.795 mm
Διάμετρος μεσινέζας		2,4 mm	
Ισχύον εργαλείο κοπής και διάμετρος κοπής	Λάμα 2 δοντιών (P/N 198345-9)	255 mm	
	Λάμα 3 δοντιών (P/N 195299-1)	255 mm	
	Λάμα 4 δοντιών (P/N 196895-8)	255 mm	
	Κεφαλή κοπής με νάιλον (P/N 197993-1 / 191D90-9 / 1915D7-6)	430 mm	
	Πλαστική λάμα (P/N 198383-1) (P/N 199868-0)	255 mm 305 mm	
Ονομαστική τάση		D.C. 36 V - 40 V μέγ.	
Καθαρό βάρος		5,2 kg	4,7 kg
Βαθμός προστασίας		IPX4	

- Λόγω του συνεχιζόμενου προγράμματος έρευνας και ανάπτυξης, οι προδιαγραφές αυτές υπόκεινται σε αλλαγές χωρίς προειδοποίηση.
- Τα τεχνικά χαρακτηριστικά μπορεί να διαφέρουν από χώρα σε χώρα.
- Βάρος σύμφωνα με διαδικασία ΕΡΤΑ 01/2014

## Συνιστώμενη ενσύρματη πηγή τροφοδοσίας

Φορητή ηλεκτρική τροφοδότηση	PDC01 / PDC1200 / PDC1500
------------------------------	---------------------------

- Οι ενσύρματες πηγές τροφοδοσίας που αναγράφονται παραπάνω μπορεί να μην είναι διαθέσιμες, ανάλογα με την περιοχή της κατοικίας σας.
- Πριν χρησιμοποιήσετε την ενσύρματη πηγή τροφοδοσίας, διαβάστε τις οδηγίες και τις ενδείξεις προφυλάξεων που αναγράφονται σε αυτή.

## Θόρυβος

### Μοντέλο UR101C

Κοπτικό εργαλείο	Επίπεδο ηχητικής πίεσης (L <sub>PA</sub> ) dB(A)		Επίπεδο ηχητικής ισχύος (L <sub>WA</sub> ) dB(A)		Ισχύον πρότυπο
	(L <sub>PA</sub> ) dB(A)	Αβεβαιότητα (Κ) dB(A)	(L <sub>WA</sub> ) dB(A)	Αβεβαιότητα (Κ) dB(A)	
Λάμα 2 δοντιών	81,7	0,5	93,9	0,8	ISO22868(ISO11806-1)
Λάμα 4 δοντιών	83,0	0,3	97,6	0,2	ISO22868(ISO11806-1)
Κεφαλή κοπής με νάιλον	80,0	0,9	91,8	1,0	ISO22868(ISO11806-1)/ EN50636-2-91
Πλαστική λάμα	78,0	1,0	87,4	0,7	ISO22868(ISO11806-1)/ EN50636-2-91

### Μοντέλο UR201C

Κοπτικό εργαλείο	Επίπεδο ηχητικής πίεσης ( $L_{pA}$ ) dB(A)		Επίπεδο ηχητικής ισχύος ( $L_{WA}$ ) dB(A)		Ισχύον πρότυπο
	( $L_{pA}$ ) dB(A)	Αβεβαιότητα (K) dB(A)	( $L_{WA}$ ) dB(A)	Αβεβαιότητα (K) dB(A)	
Λάμα 2 δοντιών	81,7	0,5	93,9	0,8	ISO22868(ISO11806-1)
Λάμα 4 δοντιών	83,0	0,3	97,6	0,2	ISO22868(ISO11806-1)
Κεφαλή κοπής με νάιλον	80,0	0,9	91,8	1,0	ISO22868(ISO11806-1)/EN50636-2-91
Πλαστική λάμα	78,0	1,0	87,4	0,7	ISO22868(ISO11806-1)/EN50636-2-91

- Ακόμη κι αν η στάθμη ηχητικής πίεσης που παρατίθεται ανωτέρω είναι 80 dB (A) ή λιγότερο, η στάθμη υπό συνθήκες εργασίας μπορεί να υπερβεί τα 80 dB (A). Να φοράτε ωτοασπίδες.

**ΠΑΡΑΤΗΡΗΣΗ:** Η δηλωμένη τιμή(ές) εκπομπής θορύβου έχει μετρηθεί σύμφωνα με την πρότυπη μέθοδο δοκιμής και μπορεί να χρησιμοποιηθεί για τη σύγκριση ενός εργαλείου με κάποιο άλλο.

**ΠΑΡΑΤΗΡΗΣΗ:** Η δηλωμένη τιμή(ές) εκπομπής θορύβου μπορεί να χρησιμοποιηθεί και στην προκαταρκτική αξιολόγηση της έκθεσης.

**⚠ ΠΡΟΕΙΔΟΠΟΙΗΣΗ:** Να φοράτε ωτοασπίδες.

**⚠ ΠΡΟΕΙΔΟΠΟΙΗΣΗ:** Η εκπομπή θορύβου κατά τη χρήση του ηλεκτρικού εργαλείου σε πραγματικές συνθήκες μπορεί να διαφέρει από τη δηλωμένη τιμή(ές) ανάλογα με τους τρόπους χρήσης του εργαλείου, ιδιαίτερα το είδος του τεμαχίου εργασίας που υπόκειται επεξεργασία.

**⚠ ΠΡΟΕΙΔΟΠΟΙΗΣΗ:** Φροντίστε να λάβετε τα κατάλληλα μέτρα προστασίας του χειριστή βάσει ενός υπολογισμού της έκθεσης σε πραγματικές συνθήκες χρήσης (λαμβάνοντας υπόψη όλες τις συνιστώσες του κύκλου λειτουργίας όπως τους χρόνους που το εργαλείο είναι εκτός λειτουργίας και όταν βρίσκεται σε αδρανή λειτουργία πέραν του χρόνου ενεργοποίησης).

## Κραδασμός

Ισχύον πρότυπο : ISO22867(ISO11806-1)

### Μοντέλο UR101C

Κοπτικό εργαλείο	Αριστερό χέρι		Δεξί χέρι	
	$a_{h,w}$ ( $m/s^2$ )	Αβεβαιότητα K ( $m/s^2$ )	$a_{h,w}$ ( $m/s^2$ )	Αβεβαιότητα K ( $m/s^2$ )
Λάμα 2 δοντιών	$\leq 2,5$	1,5	$\leq 2,5$	1,5
Λάμα 4 δοντιών	$\leq 2,5$	1,5	$\leq 2,5$	1,5
Κεφαλή κοπής με νάιλον	$\leq 2,5$	1,5	$\leq 2,5$	1,5
Πλαστική λάμα	$\leq 2,5$	1,5	$\leq 2,5$	1,5

### Μοντέλο UR201C

Κοπτικό εργαλείο	Αριστερό χέρι		Δεξί χέρι	
	$a_{h,w}$ ( $m/s^2$ )	Αβεβαιότητα K ( $m/s^2$ )	$a_{h,w}$ ( $m/s^2$ )	Αβεβαιότητα K ( $m/s^2$ )
Λάμα 2 δοντιών	$\leq 2,5$	1,5	$\leq 2,5$	1,5
Λάμα 4 δοντιών	$\leq 2,5$	1,5	$\leq 2,5$	1,5
Κεφαλή κοπής με νάιλον	$\leq 2,5$	1,5	$\leq 2,5$	1,5
Πλαστική λάμα	$\leq 2,5$	1,5	$\leq 2,5$	1,5

**ΠΑΡΑΤΗΡΗΣΗ:** Η δηλωμένη τιμή(ές) συνολικών κραδασμών έχει μετρηθεί σύμφωνα με την πρότυπη μέθοδο δοκιμής και μπορεί να χρησιμοποιηθεί για τη σύγκριση ενός εργαλείου με κάποιο άλλο.

**ΠΑΡΑΤΗΡΗΣΗ:** Η δηλωμένη τιμή(ές) συνολικών κραδασμών μπορεί να χρησιμοποιηθεί και στην προκαταρκτική αξιολόγηση της έκθεσης.

**⚠️ ΠΡΟΕΙΔΟΠΟΙΗΣΗ:** Η εκπομπή κραδασμών κατά τη χρήση του ηλεκτρικού εργαλείου σε πραγματικές συνθήκες μπορεί να διαφέρει από τη δηλωμένη τιμή(ές) εκπομπής ανάλογα με τους τρόπους χρήσης του εργαλείου, ιδιαίτερα το είδος του τεμαχίου εργασίας που υπόκειται επεξεργασία.

**⚠️ ΠΡΟΕΙΔΟΠΟΙΗΣΗ:** Φροντίστε να λάβετε τα κατάλληλα μέτρα προστασίας του χειριστή βάσει ενός υπολογισμού της έκθεσης σε πραγματικές συνθήκες χρήσης (λαμβάνοντας υπόψη όλες τις συνιστώσες του κύκλου λειτουργίας όπως τους χρόνους που το εργαλείο είναι εκτός λειτουργίας και όταν βρίσκεται σε αδρανή λειτουργία πέραν του χρόνου ενεργοποίησης).

## Σύμβολα

Παρακάτω παρουσιάζονται τα σύμβολα που μπορούν να χρησιμοποιηθούν για τον εξοπλισμό. Βεβαιωθείτε ότι κατανοείτε τη σημασία τους πριν από τη χρήση.



Απαιτούνται ιδιαίτερη φροντίδα και προσοχή.



Διαβάστε το εγχειρίδιο οδηγιών.



Κρατήστε απόσταση τουλάχιστον 15 m.



Κίνδυνος. Να προσέχετε για εκτοξευόμενα αντικείμενα.



Προσοχή. Κλότσημα



Να φοράτε κράνος ασφαλείας, προστατευτικά γυαλιά και ωτοασπίδες.



Να φοράτε προστατευτικά γάντια.



Να φοράτε ανθεκτικές μπότες με αντιολισθητικές σόλες. Συνιστώνται μπότες ασφαλείας με ασφάλινα προστατευτικά για τα δάκτυλα των ποδιών.



Μόνο για τις χώρες της ΕΕ  
Λόγω της παρουσίας των επικίνδυνων συστατικών μερών στον εξοπλισμό, ο απόβλητος ηλεκτρικός και ηλεκτρονικός εξοπλισμός, οι συσσωρευτές και οι μπαταρίες μπορεί να έχουν αρνητική επίδραση στο περιβάλλον και την ανθρώπινη υγεία. Μην απορρίπτετε τις ηλεκτρικές και ηλεκτρονικές συσκευές ή μπαταρίες μαζί με τα οικιακά απορρίμματα!

Σύμφωνα με την Ευρωπαϊκή Οδηγία για τον απόβλητο ηλεκτρικό και ηλεκτρονικό εξοπλισμό και για τους συσσωρευτές και μπαταρίες και τους απόβλητους συσσωρευτές και μπαταρίες, καθώς και την προσαρμογή τους στην εθνική νομοθεσία, ο απόβλητος ηλεκτρικός εξοπλισμός, οι μπαταρίες και οι συσσωρευτές θα πρέπει να αποθηκεύονται ξεχωριστά και να παραδίδονται σε ξεχωριστό σημείο συλλογής για δημοτικά απόβλητα, το οποίο λειτουργεί σύμφωνα με τους κανονισμούς για την προστασία του περιβάλλοντος.

Αυτό υποδεικνύεται από το σύμβολο του διαγραμμένου τροχοφόρου κάδου που βρίσκεται αναρτημένο επάνω στον εξοπλισμό.



Εγγυημένη στάθμη ηχητικής ισχύος σύμφωνα με την Οδηγία της ΕΕ για την εκπομπή θορύβου σε εξωτερικούς χώρους.



Στάθμη ηχητικής ισχύος σύμφωνα με τον Κανονισμό ελέγχου θορύβου της Νέας Νότιας Ουαλίας της Αυστραλίας

## Δήλωση Συμμόρφωσης

*Μόνο για χώρες της Ευρώπης*

Οι Δηλώσεις Συμμόρφωσης περιλαμβάνονται στο Παράρτημα Α στο παρόν εγχειρίδιο οδηγιών.

## ΠΡΟΕΙΔΟΠΟΙΗΣΕΙΣ ΑΣΦΑΛΕΙΑΣ

### Γενικές προειδοποιήσεις ασφαλείας για το ηλεκτρικό εργαλείο

**⚠️ ΠΡΟΕΙΔΟΠΟΙΗΣΗ** Διαβάστε όλες τις προειδοποιήσεις ασφαλείας, οδηγίες, εικονογραφήσεις και προδιαγραφές που παρέχονται με αυτό το ηλεκτρικό εργαλείο. Η μη τήρηση όλων των οδηγιών που αναγράφονται κατωτέρω μπορεί να καταλήξει σε ηλεκτροπληξία, πυρκαγιά ή/και σοβαρό τραυματισμό.

### Φυλάξτε όλες τις προειδοποιήσεις και τις οδηγίες για μελλοντική παραπομπή.

Στις προειδοποιήσεις, ο όρος «ηλεκτρικό εργαλείο» αναφέρεται σε ηλεκτρικό εργαλείο που τροφοδοτείται από την κύρια παροχή ηλεκτρικού ρεύματος (με ηλεκτρικό καλώδιο) ή σε ηλεκτρικό εργαλείο που τροφοδοτείται από μπαταρία (χωρίς ηλεκτρικό καλώδιο).

### Σημαντικές οδηγίες ασφαλείας για το εργαλείο

**⚠️ ΠΡΟΕΙΔΟΠΟΙΗΣΗ:** Φροντίστε να διαβάσετε σχολαστικά και να κατανοήσετε το παρόν εγχειρίδιο οδηγιών, καθώς και το εγχειρίδιο οδηγιών της φορητής ηλεκτρικής τροφοδότησης που πρόκειται να χρησιμοποιηθεί με αυτό το εργαλείο. Η μη τήρηση των προειδοποιήσεων και οδηγιών μπορεί να καταλήξει σε ηλεκτροπληξία, πυρκαγιά ή/και σοβαρό τραυματισμό.

**⚠️ ΠΡΟΕΙΔΟΠΟΙΗΣΗ:** Διαβάστε όλες τις προειδοποιήσεις για την ασφάλεια και όλες τις οδηγίες. Η μη τήρηση των προειδοποιήσεων και οδηγιών μπορεί να καταλήξει σε ηλεκτροπληξία, πυρκαγιά ή/και σοβαρό τραυματισμό.

### Φυλάξτε όλες τις προειδοποιήσεις και τις οδηγίες για μελλοντική παραπομπή.

## Προβλεπόμενη χρήση

1. Το εργαλείο αυτό προορίζεται μόνο για την κοπή γρασιδιού, χόρτων, θάμνων και ελαφριάς βλάστησης. Δεν πρέπει να χρησιμοποιηθεί για άλλους σκοπούς όπως κοπή άκρων ή φρακτών επειδή μπορεί να προκαλέσει τραυματισμό.

## Γενικές οδηγίες

1. Μην επιτρέπετε ποτέ σε άτομα που δεν γνωρίζουν αυτές τις οδηγίες, σε άτομα (περιλαμβανομένων παιδιών) με μειωμένες σωματικές, αισθητήριες ή διανοητικές ικανότητες, ή σε άτομα που δεν έχουν πείρα και γνώσεις να χρησιμοποιούν αυτό το εργαλείο. Τα παιδιά θα πρέπει να επιτηρούνται για να εξασφαλιστεί ότι δεν παίζουν με το εργαλείο.
  2. Πριν ξεκινήσετε τη λειτουργία του εργαλείου, διαβάστε αυτό το εγχειρίδιο οδηγιών για να εξοικειωθείτε με το χειρισμό του εργαλείου.
  3. Μην δανείσετε το εργαλείο σε άτομο με ανεπαρκή πείρα ή γνώσεις για το χειρισμό των κοπών με βούρτσα και κουρευτικών με πετονιά.
  4. Όταν δανείτε σε κάποιον το εργαλείο, πάντα να προσαρτάτε αυτό το εγχειρίδιο οδηγιών.
  5. Να χειρίζεστε το εργαλείο με τη μεγαλύτερη φροντίδα και προσοχή.
  6. Μην χρησιμοποιείτε ποτέ το εργαλείο μετά την κατανάλωση αλκοόλ ή φαρμάκων, ή αν αισθάνεστε κουρασμένοι ή αδιάθετοι.
  7. Μην επιχειρήσετε ποτέ να τροποποιήσετε το εργαλείο.
  8. Ακολουθήστε τους κανονισμούς της χώρας σας για το χειρισμό των κοπών με βούρτσα και κουρευτικών με πετονιά.
2. Μην θέτετε το εργαλείο σε λειτουργία σε εκρηκτικές ατμόσφαιρες, όπως παρουσία εύφλεκτων υγρών, αερίων ή σκόνης. Το εργαλείο δημιουργεί σπινθήρες που μπορεί να προκαλέσουν ανάφλεξη της σκόνης ή των ατμών.
  3. Κατά τη διάρκεια της λειτουργίας, μην στέκεστε ποτέ σε ασαφή ή ολισθηρή επιφάνεια ή σε κατηφόρα. Κατά τις κρούς επιβάλλεται να προσέχετε τον πάγο και το χιόνι και να φροντίζετε ώστε να πατάτε καλά.
  4. Κατά τη διάρκεια της λειτουργίας, οι παρευρισκόμενοι ή τα ζώα πρέπει να παραμένουν τουλάχιστον 15 μέτρα μακριά από το εργαλείο. Να διακόπτετε τη λειτουργία του εργαλείου μόλις κάποιος πλησιάζει.
  5. Μην χειρίζεστε ποτέ το εργαλείο όταν άλλα άτομα, ειδικά παιδιά ή κατοικίδια, βρίσκονται σε κοντινή απόσταση.
  6. Πριν τη λειτουργία, εξετάστε αν υπάρχουν πέτρες ή άλλα στερεά αντικείμενα στην περιοχή εργασίας. Μπορεί να πεταχτούν ή να προκαλέσουν επικίνδυνο κλότσημα, και να έχουν ως αποτέλεσμα σοβαρό τραυματισμό ή/και ζημιά σε ιδιοκτησία.
  7. **▲ΠΡΟΕΙΔΟΠΟΙΗΣΗ:** Η χρήση αυτού του προϊόντος μπορεί να δημιουργήσει σκόνη που περιέχει χημικές ουσίες, οι οποίες προκαλούν αναπνευστικές ή άλλες ασθένειες. Μερικά παραδείγματα αυτών των χημικών ουσιών είναι ενώσεις που συναντώνται σε φυτοφάρμακα, εντομοκτόνα, λιπάσματα και ζιζανιοκτόνα. Ο κίνδυνος από την έκθεσή σας στα παραπάνω διαφέρει ανάλογα με τη συχνότητα με την οποία εκτελείτε αυτού του είδους εργασίες. Για να μειώσετε την έκθεσή σας σε αυτές τις χημικές ουσίες: να εργάζεστε σε χώρο με καλό εξαερισμό και να εργάζεστε με εγκεκριμένο εξοπλισμό ασφαλείας, όπως προσωπικά κατά τη τη σκόνης που είναι ειδικά σχεδιασμένη να φιλτράρει μικροσκοπικά σωματίδια.

## Προσωπικός προστατευτικός εξοπλισμός

► Εικ.1

1. Φοράτε κράνος ασφαλείας, προστατευτικά γυαλιά και προστατευτικά γάντια για να προστατέψετε τον εαυτό σας από τα αντικείμενα που εκτοξεύονται ή πέφτουν.
2. Φοράτε προστατευτικά αυτιών, όπως ωτοασπίδες, για να αποτρέψετε την απώλεια της ακοής σας.
3. Φοράτε σωστό ρουχισμό και παπούτσια για την ασφαλή λειτουργία, όπως ολόσωμη φόρμα εργασίας και σταθερά, αντιολισθητικά παπούτσια. Μην φοράτε φαρδιά ρούχα ή κοσμήματα. Υπάρχει κίνδυνος να εμπλακούν τα φαρδιά ρούχα, τα κοσμήματα ή τα μακριά μαλλιά σε κινούμενα μέρη.
4. Όταν αγγίζετε τη λεπίδα κόπτη, να φοράτε προστατευτικά γάντια. Οι κοπτικές λάμες μπορούν να κόψουν σοβαρά τα γυμνά χέρια.

## Ασφάλεια στο χώρο εργασίας

1. Να χειρίζεστε το εργαλείο μόνο κάτω από συνθήκες καλής ορατότητας και όταν έχει ακόμα φως έξω. Μην χειρίζεστε το εργαλείο στο σκοτάδι ή όταν υπάρχει ομίχλη.

## Ηλεκτρική ασφάλεια και ασφάλεια μπαταρίας

1. Μην εκθέτετε το εργαλείο στη βροχή ή σε υγρές συνθήκες. Η είσοδος νερού στο εργαλείο μπορεί να αυξήσει τον κίνδυνο πρόκλησης ηλεκτροπληξίας.
2. Μην χρησιμοποιείτε το εργαλείο αν ο διακόπτης δεν το ενεργοποιεί και δεν το απενεργοποιεί. Κάθε εργαλείο που δεν μπορείτε να ελέγξετε με το διακόπτη λειτουργίας είναι επικίνδυνο και πρέπει να επισκευαστεί.
3. Να αποφεύγετε την αθέλητη ενεργοποίηση του εργαλείου. Βεβαιωθείτε ότι ο διακόπτης βρίσκεται στην ανενεργή θέση πριν σηκώσετε ή μεταφέρετε το εργαλείο. Αν μεταφέρετε το εργαλείο με το δάχτυλό σας στο διακόπτη ή αν ενεργοποιήσετε το εργαλείο όταν ο διακόπτης είναι στην ενεργή θέση, μπορεί να προκληθούν ατυχήματα.
4. Μην απορρίπτετε την μπαταρία(ιες) στη φωτιά. Το κελί μπορεί να εκραγεί. Συμβουλευτείτε τους τοπικούς κώδικες για πιθανές ειδικές οδηγίες απόρριψης.
5. Μην απορρίπτετε και μην καταστρέψετε την μπαταρία(ιες). Ο ηλεκτρολύτης που εκλύεται είναι



διαβρωτικός και μπορεί να προκαλέσει ζημιά στα μάτια ή στο δέρμα. Σε περίπτωση κατάποσης, μπορεί να είναι τοξικό.

- Μην φορτίζετε την μπαταρία στη βροχή, αλλά ούτε σε υγρές τοποθεσίες.
- Μην αλλάζετε την μπαταρία με βρεγμένα χέρια.
- Μην αλλάζετε την μπαταρία στη βροχή.
- Μην βρέχετε τον πόλο της μπαταρίας με υγρό, όπως το νερό, και μη βυθίζετε την μπαταρία σε υγρό. Μην αφήνετε την μπαταρία στη βροχή, και μην φορτίζετε, χρησιμοποιείτε ή αποθηκεύετε την μπαταρία σε νυπώ ή βρεγμένο μέρος. Αν ο πόλος βρεχτεί ή εισέλθει υγρό στο εσωτερικό της μπαταρίας, η μπαταρία μπορεί να βραχυκυκλώσει και να υπάρχει κίνδυνος υπερθέρμανσης, πυρκαγιάς ή έκρηξης.
- Μην συνδέσετε/αποσυνδέσετε το φως στην/από την υποδοχή της φορητής ηλεκτρικής τροφοδότησης σε βροχές ή υγρές συνθήκες. Μην αφήνετε, χρησιμοποιείτε ή αποθηκεύετε το εργαλείο και τη φορητή ηλεκτρική τροφοδότηση στη βροχή ή σε νυπώ ή βρεγμένο μέρος. Αν το κάνετε αυτό, μπορεί να προκληθεί ηλεκτροπληξία.
- Αφού αφαιρέσετε την μπαταρία από τη φορητή ηλεκτρική τροφοδότηση ή τον φορτιστή, φροντίστε να συνδέσετε το κάλυμμα μπαταριών στην μπαταρία και να την αποθηκεύσετε σε στεγνό μέρος.
- Αν η κασέτα μπαταριών βραχεί, αποστραγγίστε το νερό από το εσωτερικό και μετά σκουπίστε την με ένα στεγνό πανί. Στεγνώστε την κασέτα μπαταριών εντελώς σε ένα στεγνό μέρος πριν τη χρησιμοποιήσετε.

## Λειτουργία

- Πριν τη συναρμολόγηση ή ρύθμιση του εργαλείου, αποσυνδέστε τη φορητή ηλεκτρική τροφοδότηση από το εργαλείο.
- Πριν το χειρισμό της κοπτικής λάμας, να φοράτε προστατευτικά γάντια.
- Πριν συνδέσετε τη φορητή ηλεκτρική τροφοδότηση με το εργαλείο, επιθεωρήστε το εργαλείο για ζημιές, χαλαρές βίδες/παξιμάδια ή λανθασμένη συναρμολόγηση. Ακονίστε μια μη κοφτερή κοπτική λάμα. Αν η κοπτική λάμα είναι λυγισμένη ή κατεστραμμένη, αντικαταστήστε την. Ελέγξτε όλους τους μοχλούς ελέγχου και διακόπτες για εύκολη δράση. Καθαρίστε και στεγνώστε τις χειρολαβές.
- Μην επιχειρήσετε ποτέ να ενεργοποιήσετε το εργαλείο αν είναι κατεστραμμένο ή δεν είναι πλήρως συναρμολογημένο. Διαφορετικά μπορεί να προκληθεί σοβαρός τραυματισμός.
- Ρυθμίστε τον ιμάντα ώμου και τη λαβή για να ταιριάζει με το μέγεθος σώματος του χειριστή.
- Κατά τη σύνδεση της φορητής ηλεκτρικής τροφοδότησης με το εργαλείο, κρατήστε το εξάρτημα κοπής μακριά από το σώμα σας και άλλα αντικείμενα, συμπεριλαμβανομένου του εδάφους. Μπορεί να περιστραφεί κατά την εκκίνηση και να προκαλέσει τραυματισμό ή ζημιά στο εργαλείο ή/και στην ιδιοκτησία.
- Απομακρύνετε τυχόν ρυθμιζόμενο κλειδί, γαλλικό κλειδί ή κάλυμμα λάμας πριν

ενεργοποιήσετε το εργαλείο. Ένα εξάρτημα που έχει μείνει προσκολλημένο σε κάποιο περιστρεφόμενο μέρος του εργαλείου μπορεί να προκαλέσει προσωπικό τραυματισμό.

- Το κοπτικό εργαλείο πρέπει να είναι εξοπλισμένο με το προφυλακτήρα. Ποτέ μην χρησιμοποιείτε το εργαλείο με κατεστραμμένους προφυλακτήρες ή όταν οι προφυλακτήρες δεν βρίσκονται στη θέση τους!
- Βεβαιωθείτε ότι δεν υπάρχουν ηλεκτρικά καλώδια, σωληνώσεις νερού ή αερίου κ.λπ. οι οποίες θα μπορούσαν να προκαλέσουν κίνδυνο αν υποστούν ζημιές από τη χρήση του εργαλείου.

## Λειτουργία

- Σε περίπτωση επείγουσας ανάγκης, απενεργοποιήστε αμέσως το εργαλείο.
- Αν βιώσετε οποιαδήποτε ασυνήθιστη κατάσταση (π.χ. θόρυβος, δόνηση) κατά τη διάρκεια της λειτουργίας, απενεργοποιήστε το εργαλείο και αποσυνδέστε τη φορητή ηλεκτρική τροφοδότηση από το εργαλείο. Μην χρησιμοποιήσετε το εργαλείο μέχρι να αναγνωριστεί και να επιλυθεί η αιτία.
- Το εξάρτημα κοπής συνεχίζει να περιστρέφεται για σύντομο διάστημα μετά την απενεργοποίηση. Μην βιαστείτε να ακουμπήσετε το εξάρτημα κοπής.
- Κατά τη διάρκεια της λειτουργίας, να χρησιμοποιείτε τον ιμάντα ώμου. Κρατήστε το εργαλείο σταθερά στη δεξιά πλευρά σας.
- Μην τονώνετε υπερβολικά. Να στέκεστε πάντα σταθερά και ισοροπημένα. Προσέχετε για κρυμμένα εμπόδια, όπως κούτσουρα, ρίζες και χατάνια, για να αποφύγετε να σκοτώσετε.
- Να είστε πάντα βέβαιοι ότι έχετε καλό πάτημα σε πλαγιές.
- Να περπατάτε, να μην τρέχετε ποτέ.
- Μην εργάζεστε ποτέ σε σκάλα ή δέντρο, για να αποφύγετε την απώλεια ελέγχου.
- Αν το εργαλείο χτυπήσει δυνατά κατά την πώση, ελέγξτε την κατάσταση πριν συνεχίσετε την εργασία. Ελέγξτε αν υπάρχει δυσλειτουργία στις συσκευές ελέγχου και ασφάλειας. Αν υπάρχει οποιαδήποτε ζημιά ή αν έχετε αμφιβολίες, επικοινωνήστε με το δικό μας εξουσιοδοτημένο κέντρο εξυπηρέτησης για επιθεώρηση και επισκευή.
- Μην αγγίζετε το κιβώτιο οδοντωτών τροχών κατά τη διάρκεια της λειτουργίας ή αμέσως μετά αυτή. Το κιβώτιο οδοντωτών τροχών θερμαίνεται κατά τη λειτουργία και μπορεί να προκαλέσει εγκαύματα.
- Κάντε ένα διάλειμμα για να αποφύγετε την απώλεια του ελέγχου που προκαλείται από την κόπωση. Συνιστούμε να κάνετε ένα διάλειμμα για ξεκούραση διάρκειας 10 έως 20 λεπτών κάθε ώρα.
- Όταν αφήσετε το εργαλείο, ακόμη κι αν είναι για σύντομο χρονικό διάστημα, να αποσυνδέετε τη φορητή ηλεκτρική τροφοδότηση από το εργαλείο. Αν το εργαλείο δεν επιτηρείται και είναι τοποθετημένο η κασέτα μπαταριών, μπορεί να χρησιμοποιηθεί από μη εξουσιοδοτημένο άτομο

και να προκληθεί σοβαρό ατύχημα.

13. Αν πιαστείτε γκαζόν ή κλαδιά μεταξύ του εξαρτήματος κοπής και του προφυλακτήρα, να απενεργοποιείτε πάντα το εργαλείο και να αποσυνδέετε τη φορητή ηλεκτρική τροφοδότηση από το εργαλείο. Διαφορετικά, το εξάρτημα κοπής μπορεί να περιστραφεί κατά λάθος και να προκληθεί σοβαρός τραυματισμός.
14. Μην αγγίζετε ποτέ κινούμενα επικίνδυνα μέρη προτού τα κινούμενα επικίνδυνα μέρη ακινητοποιηθούν και η φορητή ηλεκτρική τροφοδότηση αποσυνδεθεί από το εργαλείο.
15. Αν το εξάρτημα κοπής χτυπήσει πέτρες ή άλλα σκληρά αντικείμενα, απενεργοποιήστε αμέσως το εργαλείο. Μετά, αποσυνδέστε τη φορητή ηλεκτρική τροφοδότηση από το εργαλείο και επιθεωρήστε το εξάρτημα κοπής.
16. Να ελέγχετε συχνά το εξάρτημα κοπής για ρωγμές ή ζημιές κατά τη διάρκεια της λειτουργίας. Πριν την επιθεώρηση, αποσυνδέστε τη φορητή ηλεκτρική τροφοδότηση από το εργαλείο και βεβαιωθείτε ότι το εξάρτημα κοπής έχει ακινητοποιηθεί. Αντικαταστήστε αμέσως ένα κατεστραμμένο εξάρτημα κοπής, ακόμη κι αν έχει μόνο επιφανειακές ρωγμές.
17. Μην κόβετε ποτέ επάνω από το ύψος της μέσης σας.
18. Πριν ξεκινήσετε τη λειτουργία κοπής, περιμένετε μέχρι το εξάρτημα κοπής να φτάσει μια σταθερή ταχύτητα αφού ενεργοποιήσετε το εργαλείο.
19. Κατά τη χρήση μιας κοπτικής λάμας, κινήστε το εργαλείο σταθερά σε ημικύκλιο, από τα δεξιά προς τα αριστερά, σαν να χρησιμοποιείτε δρεπάνι.
20. Κρατάτε το εργαλείο μόνο από τις μονωμένες επιφάνειες λαβής επειδή η κοπτική λάμα μπορεί να κάνει επαφή με το κρυμμένο καλώδιο. Οι κοπτικές λάμες που έρχονται σε επαφή με ένα ηλεκτροφόρο καλώδιο μπορεί να κάνουν τα εκτεθειμένα μεταλλικά μέρη του εργαλείου ηλεκτροφόρα και να προκαλέσουν ηλεκτροπληξία στο χειριστή.
21. Μην ξεκινάτε τη λειτουργία του εργαλείο όταν στο κοπτικό εργαλείο είναι μπλεγμένο κομμένο γρασίδι.
22. Πριν εκκινήσετε το εργαλείο, βεβαιωθείτε ότι το κοπτικό εργαλείο δεν αγγίζει το έδαφος και άλλα αντικείμενα, όπως κάποιο δέντρο.
23. Κατά την χρήση, να κρατάτε πάντα το εργαλείο και με τα δυο σας χέρια. Κατά τη χρήση, μην κρατάτε ποτέ το εργαλείο με ένα χέρι.
24. Μην χρησιμοποιείτε το εργαλείο όταν υπάρχει κίνδυνος για κεραυνούς.
25. Όταν χρησιμοποιείτε το εργαλείο σε λασπώδη έδαφος, βρεγμένες κλίσεις ή ολισθηρό μέρος, να προσέχετε το πάτημά σας.
26. Αποφεύγετε να εργάζεστε σε κακό περιβάλλον, όπου αναμένεται αυξημένη κόπωση του χρήστη.
27. Μην χρησιμοποιείτε το εργαλείο σε άσχημες καιρικές συνθήκες, όταν η ορατότητα είναι περιορισμένη. Αν δεν τηρήσετε αυτή την προειδοποίηση, μπορεί να προκληθεί πτώση ή λανθασμένη λειτουργία λόγω χαμηλής ορατότητας.

28. Μην βυθίζετε το εργαλείο σε λακκούβα.
29. Μην αφήνετε το εργαλείο χωρίς επιτήρηση σε εξωτερικούς χώρους στη βροχή.
30. Όταν βρεγμένα φύλλα ή χώμα κολλούν στο στόμιο αναρρόφησης (παράθυρο εξαρτισμού) λόγω βροχής, αφαιρέστε τα.
31. Μην χρησιμοποιείτε το εργαλείο στο χιόνι.

## Κοπτικά εργαλεία

1. Μην χρησιμοποιείτε ένα κοπτικό εργαλείο που δεν συνιστά η Makita.
2. Χρησιμοποιήστε ένα κατάλληλο εξάρτημα κοπής για τη συγκεκριμένη εργασία.
  - Οι κεφαλές κοπής με νάιλον (κεφαλές κουρευτικού με πετονιά) και οι πλαστικές λάμες είναι κατάλληλες για την κοπή γκαζόν.
  - Οι κοπτικές λάμες είναι κατάλληλες για την κοπή χόρτων, υψηλού γρασιδιού, θάμνων, βάλτων, χαμηλής βλάστησης, δασυλλίων και άλλων παρόμοιων.
  - Ποτέ να μην χρησιμοποιήσετε άλλες λάμες, συμπεριλαμβανομένων μεταλλικών περιστρεφόμενων αλυσίδων πολλαπλών κομματιών και αλωνιστικές λάμες. Μπορεί να έχει ως αποτέλεσμα σοβαρό τραυματισμό.
3. Να χρησιμοποιείτε μόνο κοπτικό εργαλείο που είναι επισημασμένο με ταχύτητα ίση με ή υψηλότερη από την ταχύτητα που είναι επισημασμένη στο εργαλείο.
4. Διατηρείτε πάντα τα χέρια, το πρόσωπο και τα ρούχα σας μακριά από το κοπτικό εργαλείο όταν αυτό περιστρέφεται. Αν δεν το κάνετε αυτό, μπορεί να προκληθεί ατομικός τραυματισμός.
5. Να χρησιμοποιείτε πάντα τον προφυλακτήρα εξαρτήματος κοπής που είναι κατάλληλος για το εξάρτημα κοπής που χρησιμοποιείται.
6. Όταν χρησιμοποιείτε κοπτικές λάμες, αποφύγετε το «κλότσημα» και να είστε πάντα προετοιμασμένοι για κάποιο τυχαίο κλότσημα. Δείτε την ενότητα για το κλότσημα.
7. Όταν δεν χρησιμοποιείται, προσαρτήστε το κάλυμμα λαμών στη λάμα. Αφαιρέστε το κάλυμμα πριν τη λειτουργία.

## Κλότσημα (ώθηση λάμας)

1. Το κλότσημα (ώθηση λάμας) είναι μια ξαφνική αντίδραση όταν η κοπτική λάμα είναι πιασμένη ή δεσμευμένη. Μόλις συμβεί, το εργαλείο πετάγεται προς το πλάι ή προς το χειριστή με μεγάλη δύναμη και μπορεί να προκληθεί σοβαρός τραυματισμός.
2. Το κλότσημα εμφανίζεται ιδιαίτερα κατά τη χρήση του τμήματος της λάμας των 12 και 2 «ωρών» πάνω σε στερεά, θάμνους και δέντρα με διάμετρο 3 cm ή μεγαλύτερη.

► Εικ.2

3. Για την αποφυγή του κλοτσήματος:
  1. Χρησιμοποιήστε το τμήμα μεταξύ των 8 και 11 «ωρών».
  2. Μην χρησιμοποιήσετε ποτέ το τμήμα μεταξύ των 12 και 2 «ωρών».
  3. Μην χρησιμοποιήσετε ποτέ το τμήμα μεταξύ των 11 και 12 «ωρών» και το

τμήμα μεταξύ των 2 και 5 «ωρών», εκτός αν ο χειριστής είναι καλά εκπαιδευμένος και έμπειρος και το κάνει με δική του ευθύνη.

4. Μην χρησιμοποιείτε ποτέ κοπτικές λάμες κοντά σε στερεά, όπως φράκτες, τοίχους, κορμούς δέντρων και πέτρες.
5. Μην χρησιμοποιήσετε ποτέ κοπτικές λάμες κάθετα, για εργασίες όπως μπορντούρες και φράκτες από θάμνους.

► Εικ.3

## Κραδασμοί

1. Τα άτομα με κακό κυκλοφορικό σύστημα τα οποία εκτίθενται σε υπερβολικούς κραδασμούς μπορεί να παρουσιάσουν βλάβη στα αιμοφόρα αγγεία ή στο νευρικό σύστημα. Οι κραδασμοί μπορεί να προκαλέσουν τα ακόλουθα συμπτώματα στα δάχτυλα, τα χέρια ή τους καρπούς: «Κοίμηση» (μούδιασμα), μυρμήγκιασμα, πόνος, αίσθηση μαχαιρώματος, αλλαγή χρώματος ή παραμόρφωση του δέρματος. Αν έχετε οποιαδήποτε από αυτά τα συμπτώματα, επισκεφτείτε ένα γιατρό!
2. Για να μειώσετε τον κίνδυνο του «συνδρόμου λευκού δακτύλου», να διατηρείτε τα χέρια σας ζεστά κατά τη λειτουργία και να συντηρείτε σωστά το εργαλείο και τα εξαρτήματα.

## Μεταφορά

1. Πριν μεταφέρετε το εργαλείο, απενεργοποιήστε το και αποσυνδέστε τη φορητή ηλεκτρική τροφοδότηση από το εργαλείο. Προσαρτήστε το κάλυμμα στην κοπτική λάμα.
2. Όταν μεταφέρετε το εργαλείο, να το φέρετε σε οριζόντια θέση κρατώντας τον άξονα.
3. Όταν μεταφέρετε το εργαλείο σε όχημα, ασφαλίστε το σωστά για να αποφευχθεί η ανατροπή. Διαφορετικά, μπορεί να προκληθεί ζημιά στο εργαλείο και σε άλλες αποσκευές.

## Συντήρηση

1. Φροντίστε για το σέρβις του εργαλείου σας από εξουσιοδοτημένο κέντρο σέρβις, χρησιμοποιώντας πάντα μόνο γνήσια ανταλλακτικά εξαρτήματα. Η λανθασμένη επισκευή και η κακή συντήρηση μπορεί να μειώσουν τη διάρκεια ζωής του εργαλείου και να αυξήσουν τον κίνδυνο ατυχημάτων.
2. Πριν την εκτέλεση οποιασδήποτε εργασίας συντήρησης ή επισκευής ή τον καθαρισμό του εργαλείου, να το απενεργοποιείτε και να αποσυνδέετε τη φορητή ηλεκτρική τροφοδότηση από το εργαλείο.
3. Να φοράτε πάντα προστατευτικά γάντια κατά το χειρισμό της κοπτικής λάμας.
4. Να καθαρίζετε πάντα τη σκόνη και τη βρομιά από το εργαλείο. Μην χρησιμοποιείτε ποτέ βενζίνη, πετρελαϊκό αιθέρα, διαλυτικό, αλκοόλη ή παρόμοιες ουσίες για το συγκεκριμένο σκοπό. Μπορεί να προκληθεί αποχρωματισμός ή ράγιση των πλαστικών εξαρτημάτων.
5. Μετά από κάθε χρήση, σφίξτε όλες τις βίδες και παξιμαδιά.

6. Μην επιχειρήσετε οποιαδήποτε εργασία συντήρησης ή επισκευής που δεν περιγράφονται στο εγχειρίδιο οδηγιών. Ζητήστε από ένα εξουσιοδοτημένο κέντρο σέρβις μας για μια τέτοια εργασία.
7. Να χρησιμοποιείτε πάντα τα γνήσια ανταλλακτικά και αξεσουάρ μας μόνο. Η χρήση εξαρτημάτων ή αξεσουάρ που παρέχονται από άλλον κατασκευαστή μπορεί να έχουν ως αποτέλεσμα το σπάσιμο του εργαλείου, την πρόκληση ζημιάς σε ιδιοκτησία ή/και σοβαρό τραυματισμό.
8. Ζητήστε από εξουσιοδοτημένο κέντρο σέρβις να επιθεωρήσει και να συντηρήσει το εργαλείο σε τακτά χρονικά διαστήματα.
9. Να διατηρείτε πάντα το εργαλείο σε καλή λειτουργική κατάσταση. Η κακή συντήρηση μπορεί να έχει ως αποτέλεσμα μειωμένη απόδοση και μείωση της διάρκειας ζωής του εργαλείου.
10. Μην πλένετε το εργαλείο με νερό υψηλής πίεσης.
11. Όταν πλένετε το εργαλείο, μην αφήνετε το νερό να εισέλθει στον ηλεκτρικό μηχανισμό, όπως στο μοτέρ και στους πόλους.
12. Όταν αποθηκεύετε το εργαλείο, να αποφεύγετε την άμεση ηλιοβολή και τη βροχή, και να το αποθηκεύσετε σε ένα μέρος όπου δεν υπάρχει πολύ ζέστη και υγρασία.
13. Εκτελέστε τις εργασίες επιθεώρησης και συντήρησης σε ένα μέρος όπου μπορεί να αποφευχθεί η βροχή.
14. Μετά τη χρήση του εργαλείου, αφαιρέστε το προσκολλημένο χώμα και στεγνώστε το εργαλείο εντελώς πριν την αποθήκευση. Ανάλογα με την εποχή ή την περιοχή, υπάρχει κίνδυνος δυσλειτουργίας λόγω παγωμάτων.
15. Να διατηρείτε καθαρές όλες τις εισόδους του αέρα φύξης.

## Αποθήκευση

1. Πριν τη φύλαξη του εργαλείου, εκτελέστε πλήρη καθαρισμό και συντήρηση. Αποσυνδέστε τη φορητή ηλεκτρική τροφοδότηση από το εργαλείο. Προσαρτήστε το κάλυμμα στην κοπτική λάμα.
2. Φυλάξτε το εργαλείο σε ένα ψηλό ή κλειδωμένο μέρος χωρίς υγρασία, μακριά από παιδιά.
3. Μην ακουμπάτε το εργαλείο επάνω σε κάτι, όπως σε έναν τοίχο. Διαφορετικά, μπορεί να πέσει ξαφνικά και να προκληθεί τραυματισμός.

## Πρώτες βοήθειες

1. Να έχετε πάντα κοντά ένα κουτί πρώτων βοηθειών. Αντικαταστήστε αμέσως οποιαδήποτε αντικείμενα αφαιρέσετε από το κιτ πρώτων βοηθειών.
2. Όταν ζητάτε βοήθεια, δώστε τις ακόλουθες πληροφορίες:
  - Τόπος ατύχηματος
  - Τι συνέβη
  - Αριθμός τραυματισμένων ατόμων
  - Φύση του τραυματισμού
  - Το όνομά σας

## Σημαντικές οδηγίες ασφάλειας για κασέτα μπαταριών

1. Πριν χρησιμοποιήσετε την κασέτα μπαταριών, διαβάστε όλες τις οδηγίες και σημειώσεις προφύλαξης (1) στον φορτιστή μπαταριών, (2) στην μπαταρία και (3) στο προϊόν που χρησιμοποιεί την μπαταρία.
2. Μην απουναρμολογήσετε ή παραβιάσετε την κασέτα μπαταριών. Μπορεί να έχει ως αποτέλεσμα πυρκαγιά, υπερθέρμανση ή έκρηξη.
3. Εάν ο χρόνος λειτουργίας έχει γίνει υπερβολικά βραχύς, σταματήστε τη λειτουργία αμέσως. Αλλιώς, μπορεί να έχει ως αποτέλεσμα κίνδυνο υπερθέρμανσης, πιθανά εγκαύματα ή ακόμη και έκρηξη.
4. Εάν ηλεκτρολύτης μπει στα μάτια σας, ξεπλύνετε τα με καθαρό νερό και ζητήστε ιατρική φροντίδα αμέσως. Αλλιώς, μπορεί να έχει ως αποτέλεσμα απώλεια της όρασης σας.
5. Μην βραχυκυκλώνετε την κασέτα μπαταριών:
  - (1) Μην αγγίζετε τους πόλους με οτιδήποτε αγώγιμο υλικό.
  - (2) Αποφεύγετε να αποθηκεύετε την κασέτα μπαταριών μέσα σε ένα δοχείο μαζί με άλλα μεταλλικά αντικείμενα όπως καρφιά, νομίσματα, κλπ.
  - (3) Μην εκθέτετε την κασέτα μπαταριών στο νερό ή στη βροχή.Ένα βραχυκύκλωμα μπαταρίας μπορεί να προκαλέσει μεγάλη ροή ρεύματος, υπερθέρμανση, πιθανά εγκαύματα ακόμη και σοβαρή βλάβη.
6. Μην αποθηκεύετε και μην χρησιμοποιείτε το εργαλείο και την κασέτα μπαταριών σε τοποθεσίες όπου η θερμοκρασία μπορεί να φτάσει ή να ξεπεράσει τους 50°C.
7. Μην καίτε την κασέτα μπαταριών ακόμη και εάν έχει σοβαρή ζημιά ή είναι εντελώς φθαρμένη. Η κασέτα μπαταριών μπορεί να εκραγεί στη φωτιά.
8. Μην καρφώσετε, κόψετε, συνθλίψετε, πετάξετε ή ρίξετε κάτω την κασέτα μπαταριών, ούτε να χτυπήσετε ένα σκληρό αντικείμενο επάνω στην κασέτα μπαταριών. Τέτοια συμπεριφορά μπορεί να έχει ως αποτέλεσμα πυρκαγιά, υπερθέρμανση ή έκρηξη.
9. Μην χρησιμοποιείτε μπαταρία που έχει υποστεί ζημιά.
10. Οι μπαταρίες ιόντων λιθίου που περιέχονται υπόκεινται στις απαιτήσεις της νομοθεσίας για επικίνδυνα αγαθά.

Για εμπορικές μεταφορές, για παράδειγμα από τρίτα μέρη, πρέπει να τηρούνται οι διαμεταφορές, οι ειδικές απαιτήσεις στη συσκευασία και η επισήμανση.

Για προετοιμασία του στοιχείου που αποστέλλεται, είναι απαραίτητο να συμβουλευτείτε έναν ειδικό για επικίνδυνα υλικά. Επίσης, τηρήστε τους πιθανούς, πιο αναλυτικούς εθνικούς κανονισμούς. Καλύψτε με αυτοκόλλητη ταινία ή κρύψτε τις ανοικτές επαφές και συσκευάστε την μπαταρία με τρόπο που να μην μπορεί να μετακινείται μέσα στη συσκευασία.

11. Όταν απορρίπτετε την κασέτα μπαταριών, αφαιρέστε την από το εργαλείο και διαθέστε τη σε ένα ασφαλές μέρος. Τηρήστε τους τοπικούς κανονισμούς που σχετίζονται με τη διάθεση της μπαταρίας.
12. Χρησιμοποιήστε τις μπαταρίες μόνο με τα προϊόντα που καθορίζει η Makita. Αν τοποθετήσετε τις μπαταρίες σε μη συμβατά προϊόντα μπορεί να έχει ως αποτέλεσμα πυρκαγιά, υπερβολική θερμότητα, έκρηξη ή διαρροή ηλεκτρολύτη.
13. Αν δεν χρησιμοποιείτε το εργαλείο για μεγάλο χρονικό διάστημα, πρέπει να βγάλετε την μπαταρία από το εργαλείο.
14. Κατά τη διάρκεια και μετά τη χρήση, η κασέτα μπαταριών μπορεί να θερμανθεί, γεγονός που μπορεί να προκαλέσει εγκαύματα ή εγκαύματα από χαμηλή θερμοκρασία. Προσεύχτε το χειρισμό των ζεστών κασετών μπαταριών.
15. Μην αγγίζετε τον ακροδέκτη του εργαλείου αμέσως μετά τη χρήση επειδή μπορεί να έχει ζεσταθεί αρκετά για να προκαλέσει εγκαύματα.
16. Μην αφήνετε θραύσματα, σκόνη ή βρομιά να κολλήσει στους ακροδέκτες, τις οπές και τις εγκοπές της κασέτας μπαταριών. Μπορεί να προκαλέσει θέρμανση, φωτιά, έκρηξη και δυσλειτουργία του εργαλείου ή της κασέτας μπαταριών, έχοντας ως αποτέλεσμα εγκαύματα ή προσωπικό τραυματισμό.
17. Εκτός αν το εργαλείο υποστηρίζει τη χρήση κοντά σε ηλεκτρικές γραμμές υψηλής τάσης, μην χρησιμοποιείτε την κασέτα μπαταριών κοντά σε ηλεκτρικές γραμμές υψηλής τάσης. Μπορεί να έχει ως αποτέλεσμα δυσλειτουργία ή στάσιμο του εργαλείου ή της κασέτας μπαταριών.
18. ΚρΦυλάξτε την μπαταρία μακριά από παιδιά.

## ΦΥΛΑΞΤΕ ΤΙΣ ΟΔΗΓΙΕΣ ΑΥΤΕΣ.

**▲ΠΡΟΣΟΧΗ:** Να χρησιμοποιείτε μόνο γνήσιες μπαταρίες της Makita. Η χρήση μη γνήσιων μπαταριών Makita, ή μπαταριών που έχουν τροποποιηθεί, μπορεί να έχει ως αποτέλεσμα τη ρήξη της μπαταρίας, προκαλώντας πυρκαγιά, προσωπικό τραυματισμό και βλάβη. Επίσης, θα ακυρωθεί η εγγύηση της Makita για το εργαλείο και φορτιστή Makita.

## Συμβουλές για τη διατήρηση της μέγιστης ζωής μπαταρίας

1. Φορτίζετε την κασέτα μπαταριών πριν από την πλήρη αποφόρτισή της. Πάντοτε να σταματάτε τη λειτουργία του εργαλείου και να φορτίζετε την κασέτα μπαταριών όταν παρατηρείτε μειωμένη ισχύ εργαλείου.
2. Ποτέ μην επαναφορτίζετε μια πλήρως φορτισμένη κασέτα μπαταριών. Η υπερφόρτιση μειώνει την ωφέλιμη ζωή της μπαταρίας.
3. Να φορτίζετε την κασέτα μπαταριών σε θερμοκρασία δωματίου, δηλαδή στους 10 °C έως 40 °C. Αφήστε μια θερμή κασέτα μπαταριών να κρυώσει πριν την φορτίσετε.
4. Όταν δεν χρησιμοποιείτε την κασέτα μπαταρίας, αφαιρέστε την από το εργαλείο ή τον φορτιστή.
5. Να φορτίζετε την κασέτα μπαταριών εάν δεν τη χρησιμοποιείτε για μεγάλη χρονική περίοδο

## ΠΕΡΙΓΡΑΦΗ ΕΞΑΡΤΗΜΑΤΩΝ

### ► Εικ.4

1	Ένδειξη ταχύτητας	2	Ένδειξη ADT (ADT = Automatic Torque Drive Technology (Τεχνολογία αυτόματης μετάδοσης ροπής))	3	Προειδοποιητική λυχνία	4	Κουμπί κύριας λειτουργίας
5	Κουμπί αντιστροφής	6	Φις	7	Μοχλός απασφάλισης	8	Σκανδάλη διακόπτης
9	Αναρτήρας	10	Χειρολαβή	11	Φραγμός	12	Κομβίο
13	Προστατευτικό	14	Επέκταση προστατευτικού (για κεφαλή κοπής με νάιλον / πλαστική λάμα)	15	Ιμάντας ανάρτησης	-	-

## ΠΕΡΙΓΡΑΦΗ ΛΕΙΤΟΥΡΓΙΑΣ

**▲ ΠΡΟΕΙΔΟΠΟΙΗΣΗ:** Να φροντίζετε πάντα για την απενεργοποίηση του εργαλείου και την αποσύνδεση της φορητής ηλεκτρικής τροφοδότησης από το εργαλείο πριν ρυθμίσετε ή ελέγξετε τη λειτουργία στο εργαλείο. Αν δεν απενεργοποιήσετε και αποσυνδέσετε τη φορητή ηλεκτρική τροφοδότηση, μπορεί να προκληθεί σοβαρός προσωπικός τραυματισμός από την τυχαία εκκίνηση.

### Σύστημα προστασίας εργαλείου/ μπαταρίας

Το εργαλείο είναι εξοπλισμένο με σύστημα προστασίας εργαλείου/μπαταρίας. Αυτό το σύστημα αποκόπτει αυτόματα την ισχύ προς το μοτέρ για να παραταθεί η διάρκεια λειτουργίας του εργαλείου και της μπαταρίας. Το εργαλείο σταματάει αυτόματα κατά τη διάρκεια της λειτουργίας αν το εργαλείο βρεθεί κάτω από τις παρακάτω συνθήκες:

Προειδοποιητική λυχνία		Κατάσταση
Χρώμα	● Αναμμένη ● Αναβοσβήνει	
Πράσινη	●	Υπερφόρτιση
Κόκκινη	● (εργαλείο) / ● (μπαταρία)	Υπερθέρμανση
Κόκκινη	●	Υπερεκφόρτιση

### Προστασία υπερφόρτισης

Αν το εργαλείο βρεθεί σε μία από τις ακόλουθες καταστάσεις, η λειτουργία του εργαλείου σταματάει αυτόματα και η προειδοποιητική λυχνία αρχίζει να αναβοσβήνει με πράσινο χρώμα:

- Το εργαλείο υπερφορτώνεται με μπλεγμένα ζιζάνια ή άλλα σκουπίδια.

- Το κοπτικό εργαλείο είναι ασφαλισμένο ή έχει κλωστήσει προς τα πίσω.
- Το κουμπί κύριας λειτουργίας είναι ενεργοποιημένο όσο τραβάτε τη σκανδάλη διακόπτη.

Σε αυτή την περίπτωση, αφήστε τη σκανδάλη διακόπτη και αφαιρέστε τα μπλεγμένα αγριόχορτα ή σκουπίδια αν απαιτείται. Στη συνέχεια, τραβήξτε ξανά τη σκανδάλη διακόπτη για να συνεχίσετε.

**▲ ΠΡΟΣΟΧΗ:** Αν πρέπει να αφαιρέσετε μπλεγμένα αγριόχορτα από το εργαλείο ή να αποδυναμώσετε το ασφαλισμένο κοπτικό εργαλείο, βεβαιωθείτε να απενεργοποιήσετε το εργαλείο πριν ξεκινήσετε.

### Προστασία υπερθέρμανσης για το εργαλείο ή την μπαταρία

Αν το εργαλείο ή η κασέτα μπαταριών υπερθερμανθεί, το εργαλείο σταματάει αυτόματα. Όταν το εργαλείο υπερθερμανθεί, ανάβει η προειδοποιητική λυχνία με κόκκινο χρώμα. Όταν η κασέτα μπαταριών υπερθερμανθεί, η προειδοποιητική λυχνία αναβοσβήνει με κόκκινο χρώμα. Αφήστε το εργαλείο και/ή την μπαταρία να κρυώσει, πριν ενεργοποιήσετε ξανά το εργαλείο.

### Προστασία υπερβολικής αποφόρτισης

Όταν η χωρητικότητα μπαταρίας είναι χαμηλή, η λειτουργία του εργαλείου σταματάει αυτόματα και η προειδοποιητική λυχνία αρχίζει να αναβοσβήνει με κόκκινο χρώμα.

Αν το εργαλείο δεν λειτουργήσει ακόμα και όταν χειριστείτε τους διακόπτες, αφαιρέστε την κασέτα μπαταριών από το εργαλείο και φορτίστε την.

### Διακόπτης κύριας λειτουργίας

Κτυπήστε το κουμπί κύριας λειτουργίας για να ενεργοποιήσετε το εργαλείο.

Για να απενεργοποιήσετε το εργαλείο, πατήστε παρατεταμένα το κουμπί κύριας λειτουργίας μέχρι να σβήσει η ένδειξη ταχύτητας.

- **Εικ.5:** 1. Ένδειξη ταχύτητας 2. Κουμπί κύριας

**ΠΑΡΑΤΗΡΗΣΗ:** Το εργαλείο θα απενεργοποιηθεί αυτόματα αν δεν λειτουργεί για μια καθορισμένη χρονική περίοδο.

## Δράση διακόπτη

**▲ ΠΡΟΕΙΔΟΠΟΙΗΣΗ:** Για την ασφάλεια σας, το εργαλείο αυτό παρέχεται με μοχλό ασφάλισης το οποίο αποτρέπει την εκκίνηση του εργαλείου κατά λάθος. Μη χρησιμοποιείτε ΠΟΤΕ το εργαλείο εάν μπορείτε να το θέσετε σε λειτουργία πιέζοντας απλά τη σκανδάλη διακόπτη, χωρίς να τραβάτε και το μοχλό ασφάλισης. Στείλτε το εργαλείο σε εξουσιοδοτημένο κέντρο σέρβις για να το επισκευάσουν σωστά ΠΡΙΝ το χρησιμοποιήσετε ξανά.

**▲ ΠΡΟΕΙΔΟΠΟΙΗΣΗ:** ΠΟΤΕ μην κολλάτε το μοχλό ασφάλισης στην πατημένη θέση του και ΠΟΤΕ μην παρακάμψετε το σκοπό του μοχλού ασφάλισης.

**▲ ΠΡΟΣΟΧΗ:** Προτού συνδέσετε τη φορητή ηλεκτρική τροφοδότηση στο εργαλείο, να ελέγχετε πάντα ότι η σκανδάλη διακόπτης λειτουργεί κανονικά και επιστρέφει στην ανενεργή θέση «OFF» όταν απελευθερώνεται. Η λειτουργία ενός εργαλείου με διακόπτη ο οποίος δεν ενεργοποιείται κατάλληλα μπορεί να οδηγήσει σε απώλεια ελέγχου και σοβαρό τραυματισμό.

**▲ ΠΡΟΣΟΧΗ:** Μη βάζετε ποτέ το δάχτυλό σας πάνω στο κουμπί κύριας λειτουργίας και τη σκανδάλη διακόπτη όταν μεταφέρετε το εργαλείο. Μπορεί να ξεκινήσει να λειτουργεί κατά λάθος το εργαλείο και να προκληθεί τραυματισμός.

**ΕΙΔΟΠΟΙΗΣΗ:** Μη τραβάτε τη σκανδάλη διακόπτη με βία χωρίς να πατάτε το μοχλό ασφάλισης. Μπορεί να σπάσει ο διακόπτης.

Για να μην τραβιέται η σκανδάλη διακόπτης κατά λάθος, παρέχεται ένας μοχλός ασφάλισης. Για να ξεκινήσετε τη λειτουργία του εργαλείου, πατήστε το μοχλό ασφάλισης και τραβήξτε τη σκανδάλη διακόπτη. Η ταχύτητα του εργαλείου αυξάνεται όσο αυξάνετε την πίεση στη σκανδάλη διακόπτη. Ελευθερώστε τη σκανδάλη διακόπτη για να σταματήσει.

### UR101C

► **Εικ.6:** 1. Μοχλός ασφάλισης 2. Σκανδάλη διακόπτης

### UR201C

► **Εικ.7:** 1. Μοχλός απασφάλισης 2. Σκανδάλη διακόπτης

## Ρύθμιση ταχύτητας

Μπορείτε να επιλέξετε την ταχύτητα του εργαλείου αν κτυπήσετε το κουμπί κύριας λειτουργίας. Κάθε φορά που πατάτε το κουμπί κύριας λειτουργίας, αλλάζει η ταχύτητα. Το εργαλείο ρυθμίζει αυτόματα την ταχύτητα περιστροφής ανάλογα με το κοπτικό εργαλείο που είναι προσαρτημένο στο εργαλείο.

► **Εικ.8:** 1. Ένδειξη ταχύτητας 2. Κουμπί κύριας λειτουργίας


Ένδειξη ταχύτητας	Λειτουργία	Ταχύτητα περιστροφής	
		Κοπτική λάμα Πλαστική λάμα (305 mm)	Κεφαλή κοπής με νάilon Πλαστική λάμα (255 mm)
3  2  1 	Υψηλή	0 - 7.000 min <sup>-1</sup>	0 - 5.500 min <sup>-1</sup>
3  2  1 	Μεσαία	0 - 5.500 min <sup>-1</sup>	0 - 5.000 min <sup>-1</sup>
3  2  1 	Χαμηλή	0 - 4.600 min <sup>-1</sup>	0 - 4.600 min <sup>-1</sup>

## Τεχνολογία αυτόματης μετάδοσης ροπής

Όταν ενεργοποιείτε την Τεχνολογία αυτόματης μετάδοσης ροπής (ADT), το εργαλείο λειτουργεί με βέλτιστη ταχύτητα περιστροφής και ροπή για την κατάσταση του γρασιδιού που κουρεύεται. Το εργαλείο ανιχνεύει αυτόματα το προσαρτημένο κοπτικό εργαλείο και επιλέγει μια κατάλληλη ταχύτητα περιστροφής.

Για να εκκινήσετε την ADT, πατήστε παρατεταμένα το κουμπί αντιστροφής μέχρι να ανάψει η ένδειξη ADT. Για να σταματήσετε την ADT, πατήστε παρατεταμένα το κουμπί αντιστροφής μέχρι να σβήσει η ένδειξη ADT.

► **Εικ.9:** 1. Ένδειξη ADT 2. Κουμπί αντιστροφής

Ένδειξη	Λειτουργία	Κοπτικό εργαλείο	Ταχύτητα περιστροφής
	ADT	Κοπτική λάμα Πλαστική λάμα (305 mm)	3.500 - 7.000 min <sup>-1</sup>
		Κεφαλή κοπής με νάilon Πλαστική λάμα (255 mm)	3.500 - 5.500 min <sup>-1</sup>

## Κουμπί αντιστροφής για αφαίρεση σκουπιδιών

**▲ ΠΡΟΕΙΔΟΠΟΙΗΣΗ:** Να απενεργοποιείτε το εργαλείο και να αποσυνδέετε τη φορητή ηλεκτρική τροφοδότηση από το εργαλείο πριν αφαιρέσετε μπλεγμένα ζιζάνια ή σκουπίδια, τα οποία δεν μπορεί να αφαιρέσει η λειτουργία αντιστροφής περιστροφής. Αν δεν το κάνετε αυτό, μπορεί να προκληθεί σοβαρός προσωπικός τραυματισμός από την τυχαία εκκίνηση.

Αυτό το εργαλείο έχει ένα κουμπί αντιστροφής για να αλλάξει τη διεύθυνση περιστροφής. Προορίζεται μόνο για την απομάκρυνση ζιζανίων και σκουπιδιών που είναι

μπλεγμένα στο εργαλείο.

Για να αντιστρέψετε την περιστροφή, κτυπήστε το κουμπί αντιστροφής και τραβήξτε τη σκανδάλη διακόπτη ενώ πατάτε το μοχλό απασφάλισης όταν έχει σταματήσει η λειτουργία του κοπτικού εργαλείου. Οι ενδείξεις ταχύτητας και η λυχνία ADT αρχίζουν να αναβοσβήνουν και το κοπτικό εργαλείο περιστρέφεται στην αντίστροφη κατεύθυνση όταν τραβάτε τη σκανδάλη διακόπτη.

Για να επιστρέψετε στην κανονική περιστροφή, αφήστε τη σκανδάλη διακόπτη και περιμένετε μέχρι να σταματήσει το κοπτικό εργαλείο.

► **Εικ.10:** 1. Ένδειξη ταχύτητας 2. Ένδειξη ADT 3. Κουμπί αντιστροφής

**ΠΑΡΑΤΗΡΗΣΗ:** Κατά τη διάρκεια της αντίστροφης περιστροφής, το εργαλείο λειτουργεί μόνο για μια σύντομη χρονική περίοδο και μετά σταματάει αυτόματα.

**ΠΑΡΑΤΗΡΗΣΗ:** Μόλις το εργαλείο σταματήσει, η περιστροφή επιστρέφει στην κανονική κατεύθυνση όταν αρχίσετε ξανά το εργαλείο.

**ΠΑΡΑΤΗΡΗΣΗ:** Αν κτυπήσετε το κουμπί αντιστροφής ενώ το κοπτικό εργαλείο περιστρέφεται ακόμη, το εργαλείο ακινητοποιείται και είναι έτοιμο για την αντίστροφη περιστροφή.

## Ηλεκτρονικό φρένο

Το εργαλείο αυτό είναι εξοπλισμένο με ηλεκτρικό φρένο. Αν το εργαλείο αποτυγχάνει συνεχώς να σταματάει γρήγορα αφού αφήνετε τη σκανδάλη διακόπτη, ζητήστε την επισκευή του εργαλείου από το κέντρο εξυπηρέτησής μας.

**⚠ ΠΡΟΣΟΧΗ:** Αυτό το σύστημα φρεναρίσματος δεν αντικαθιστά το προστατευτικό. Μην χρησιμοποιείτε ποτέ το εργαλείο χωρίς το προστατευτικό. Ένα απροστάτευτο κοπτικό εργαλείο μπορεί να προκαλέσει σοβαρό προσωπικό τραυματισμό.

## Ηλεκτρονική λειτουργία

### Έλεγχος σταθερής ταχύτητας

Η λειτουργία ελέγχου ταχύτητας παρέχει σταθερή ταχύτητα περιστροφής, ανεξάρτητα από τις συνθήκες φόρτου.

### Χαρακτηριστικό ομαλής έναρξης

Ομαλή έναρξη επειδή καταστέλλεται η αιφνίδια έναρξη.

## ΣΥΝΑΡΜΟΛΟΓΗΣΗ

**⚠ ΠΡΟΕΙΔΟΠΟΙΗΣΗ:** Να φροντίζετε πάντα για την απενεργοποίηση του εργαλείου και την αποσύνδεση της φορητής ηλεκτρικής τροφοδότησης από το εργαλείο πριν πραγματοποιήσετε οποιαδήποτε λειτουργία στο εργαλείο. Αν δεν απενεργοποιήσετε και αποσυνδέσετε τη φορητή ηλεκτρική τροφοδότηση, μπορεί να προκληθεί σοβαρός προσωπικός τραυματισμός από την τυχαία εκκίνηση.

**⚠ ΠΡΟΕΙΔΟΠΟΙΗΣΗ:** Μη βάζετε ποτέ μπροστά το εργαλείο αν δεν είναι πλήρως συναρμολογημένο. Η λειτουργία του εργαλείου σε μερικώς συναρμολογημένη κατάσταση μπορεί να έχει ως αποτέλεσμα σοβαρό προσωπικό τραυματισμό από τυχαία έναρξη.

## Τοποθέτηση της χειρολαβής

Για UR101C

1. Τοποθετήστε τον άξονα της χειρολαβής μέσα στη λαβή. Ευθυγραμμίστε την οπή της βίδας της λαβής με αυτήν του άξονα. Σφίξτε σταθερά τη βίδα.

► **Εικ.11:** 1. Λαβή 2. Βίδα 3. Άξονας

**ΕΙΔΟΠΟΙΗΣΗ:** Σημειώστε την κατεύθυνση της λαβής. Οι οπές βίδας δεν θα είναι ευθυγραμμισμένες αν η λαβή δεν έχει εισαχθεί με τη σωστή κατεύθυνση.

2. Τοποθετήστε το ελατήριο στη βάση.

► **Εικ.12:** 1. Κομβίο 2. Σφικτήρας χειρολαβής 3. Χειρολαβή 4. Υποδοχή χειρολαβής 5. Ελατήριο 6. Βάση

3. Βάλτε τη χειρολαβή ανάμεσα στο σφικτήρα χειρολαβής και την υποδοχή χειρολαβής.

4. Προσαρτήστε προσωρινά τη χειρολαβή σφίγγοντας το κομβίο και ρυθμίστε τη θέση της χειρολαβής.

5. Σφίξτε πλήρως το κομβίο.

Για UR201C

1. Προσαρτήστε τους άνω και κάτω σφικτήρες στον αποσβεστήρα.

2. Τοποθετήστε τη χειρολαβή στον άνω σφικτήρα και στερεώστε τη με τις βίδες Allen όπως απεικονίζεται.

► **Εικ.13:** 1. Βίδα Allen 2. Χειρολαβή 3. Άνω σφικτήρας 4. Αποσβεστήρας 5. Κάτω σφικτήρας

## Προσάρτηση του φραγμού

Για το μοντέλο χειρολαβής σχήματος βρόχου μόνο (ειδικό της χώρας)

Αν ο φραγμός συνοδεύει το μοντέλο σας, προσαρτήστε το στη χειρολαβή χρησιμοποιώντας τη βίδα στον φραγμό.

► **Εικ.14:** 1. Φραγμός 2. Βίδα

**⚠ ΠΡΟΣΟΧΗ:** Αφού συναρμολογηθεί ο φραγμός, μην τον αφαιρέσετε. Ο φραγμός λειτουργεί ως εξάρτημα ασφαλείας, για να μην έρθετε σε επαφή με την κοπτική λάμα κατά λάθος.

## Φύλαξη εξαγωννικού κλειδιού

**⚠ ΠΡΟΣΟΧΗ:** Προσέξτε να μην αφήσετε το εξαγωννικό κλειδί μέσα στην κεφαλή του εργαλείου. Μπορεί να προκληθεί τραυματισμός και/ή ζημιά στο εργαλείο.

Όταν δεν χρησιμοποιείτε, αποθηκεύστε το εξαγωννικό κλειδί όπως απεικονίζεται για να μην το χάσετε.

► **Εικ.15:** 1. Εξαγωννικό κλειδί

Για το μοντέλο χερουλιού ποδηλάτου, το εξαγωννικό κλειδί μπορεί να αποθηκευτεί στον σφιγκτήρα στον σφιγκτήρα χειρολαβής όπως απεικονίζεται.

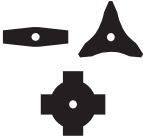

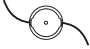
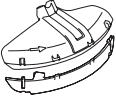

► **Εικ.16:** 1. Εξαγωννικό κλειδί 2. Σφιγκτήρας χειρολαβής

Για το μοντέλο χειρολαβής σχήματος βρόχου, το εξαγωννικό κλειδί μπορεί να αποθηκευτεί στη χειρολαβή όπως απεικονίζεται.

► **Εικ.17:** 1. Εξαγωννικό κλειδί

## Σωστός συνδυασμός κοπτικού εργαλείου και προστατευτικού

**⚠ ΠΡΟΣΟΧΗ:** Να χρησιμοποιείτε πάντα το σωστό συνδυασμό του κοπτικού εργαλείου και του προστατευτικού. Ένας λανθασμένος συνδυασμός μπορεί να μην σας προστατεύει από το κοπτικό εργαλείο, τα σκουπίδια και τις πέτρες που πετάνονται. Μπορεί, επίσης, να επηρεάσει την ισορροπία του εργαλείου και να έχει ως αποτέλεσμα τραυματισμό.

Κοπτικό εργαλείο	Προστατευτικό
Κοπτική λάμα (λάμες 2 δοντιών, 3 δοντιών, 4 δοντιών) 	
Κεφαλή κοπής με νάιλον 	
Πλαστική λάμα 	

## Τοποθέτηση του προστατευτικού

**⚠ ΠΡΟΕΙΔΟΠΟΙΗΣΗ:** Μην χρησιμοποιείτε ποτέ το εργαλείο χωρίς τον προφυλακτήρα ή με τον προφυλακτήρα να βρίσκεται λανθασμένα τοποθετημένος. Αν δεν το κάνετε αυτό, μπορεί να προκληθεί σοβαρός προσωπικός τραυματισμός.

**ΠΑΡΑΤΗΡΗΣΗ:** Ο τύπος του προστατευτικού που παρέχεται ως στάνταρ εξάρτημα διαφέρει ανάλογα με τη χώρα.

## Για κοπτική λάμα

Προσαρτήστε το προστατευτικό στο σφιγκτήρα χρησιμοποιώντας μπουλόνια.

► **Εικ.18:** 1. Σφιγκτήρας 2. Προστατευτικό

## Για κεφαλή κοπής με νάιλον / πλαστική λάμα

**⚠ ΠΡΟΣΟΧΗ:** Φροντίστε να μην τραυματιστείτε πάνω στον κόφτη κόβοντας τη μεσινέζα.

Προσαρτήστε το προστατευτικό στο σφιγκτήρα χρησιμοποιώντας μπουλόνια. Μετά, τοποθετήστε την επέκταση προστατευτικού. Εισαγάγετε την επέκταση προστατευτικού στο προστατευτικό και μετά τοποθετήστε τα κλιπ ασφαλιζοντάς τα. Βεβαιωθείτε ότι οι γλωττίδες στην επέκταση προστατευτικού ταιριάζουν με τις υποδοχές στο προστατευτικό.

► **Εικ.19:** 1. Προστατευτικό 2. Κλιπ 3. Επέκταση προστατευτικού 4. Κόφτης 5. Σχισμή 6. Γλωττίδα

Για να βγάλετε την επέκταση προστατευτικού από το προστατευτικό, απασφαλίστε τα κλιπ εισαγάγοντας το εξαγωννικό κλειδί όπως απεικονίζεται.

► **Εικ.20:** 1. Εξαγωννικό κλειδί 2. Κλιπ

## Τοποθέτηση του κοπτικού εργαλείου

**⚠ ΠΡΟΣΟΧΗ:** Να χρησιμοποιείτε πάντα τα παρεχόμενα κλειδιά για την αφαίρεση ή την τοποθέτηση του κοπτικού εργαλείου.

**⚠ ΠΡΟΣΟΧΗ:** Φροντίστε να αφαιρέσετε το εξαγωννικό κλειδί που εισαγάγετε στην κεφαλή του εργαλείου αφού τοποθετήσετε το κοπτικό εργαλείο.

**ΠΑΡΑΤΗΡΗΣΗ:** Ο τύπος του(των) κοπτικού(ών) εργαλείου(ων) που παρέχονται ως στάνταρ εξάρτηματα διαφέρει ανάλογα με τη χώρα. Το κοπτικό εργαλείο δεν περιλαμβάνεται σε κάποιες χώρες.

**ΠΑΡΑΤΗΡΗΣΗ:** Αναπογουρίστε το εργαλείο για να μπορέσετε να αντικαταστήσετε το κοπτικό εργαλείο με ευκολία.



## Κοπτική λάμα

**▲ ΠΡΟΣΟΧΗ:** Κατά το χειρισμό μιας κοπτικής λάμας, να φοράτε πάντα γάντια και να τοποθετείτε το κάλυμμα λάμας πάνω στη λάμα.

**▲ ΠΡΟΣΟΧΗ:** Η κοπτική λάμα πρέπει να είναι καλά γυαλισμένη, χωρίς ραγίσματα ή σπασίματα. Αν η κοπτική λάμα χτυπήσει μια πέτρα κατά τη λειτουργία, σταματήστε τη λειτουργία του εργαλείου και ελέγξτε αμέσως την κοπτική λάμα.

**▲ ΠΡΟΣΟΧΗ:** Να χρησιμοποιείτε πάντα την κοπτική λάμα με τη διάμετρο που περιγράφεται στην παράγραφο για τις προδιαγραφές.

1. Τοποθετήστε το κάλυμμα λάμας στην κοπτική λάμα.

**Λάμα 2 δοντιών**

► **Εικ.21**

**Λάμα 3 δοντιών**

► **Εικ.22**

**Λάμα 4 δοντιών**

► **Εικ.23**

2. Εισαγάγετε το εξαγωνικό κλειδί μέσα στην οπή στο κιβώτιο οδοντωτών τροχών για να ασφαλίσετε τον αξονίσκο. Περιστρέψτε τον αξονίσκο μέχρι το εξαγωνικό κλειδί να εισαχθεί πλήρως.

► **Εικ.24:** 1. Παξιμάδι 2. Κούπα 3. Ροδέλα σύσφιξης 4. Κοπτική λάμα 5. Αξονίσκος 6. Ροδέλα λήψης 7. Εξαγωνικό κλειδί

3. Προσαρτήστε την κοπτική λάμα επάνω στη ροδέλα λήψης με τρόπο ώστε τα βέλη στην κοπτική λάμα και το προστατευτικό να είναι στραμμένα προς την άκκα κατεύθυνση.

► **Εικ.25:** 1. Βέλος

4. Τοποθετήστε τη ροδέλα σύσφιξης και την κούπα στην κοπτική λάμα και μετά σφίξτε καλά το παξιμάδι με το σωληνωτό κλειδί.

► **Εικ.26:** 1. Σωληνωτό κλειδί 2. Εξαγωνικό κλειδί 3. Ξεσφίξτε 4. Σφίξτε

**ΠΑΡΑΤΗΡΗΣΗ:** Ροπή σύσφιξης: 20 - 30 N•m

5. Αφαιρέστε το εξαγωνικό κλειδί από το κιβώτιο οδοντωτών τροχών.

Για να αφαιρέσετε την κοπτική λάμα, ακολουθήστε τις διαδικασίες τοποθέτησης με αντίστροφη σειρά.

## Κεφαλή κοπής με νάιλον

**ΕΙΔΟΠΟΙΗΣΗ:** Βεβαιωθείτε να χρησιμοποιείτε γνήσια κεφαλή κοπής με νάιλον της Makita.

Υπάρχουν δύο τύποι κεφαλή κοπής με νάιλον, ο τύπος τροφοδοσίας μεσινέζας με κτύπημα κεφαλής και ο τύπος μη αυτόματης τροφοδοσίας.

**Τύπος τροφοδοσίας μεσινέζας με κτύπημα κεφαλής**

► **Εικ.27:** 1. Κεφαλή κοπής με νάιλον 2. Αξονίσκος 3. Εξαγωνικό κλειδί 4. Ξεσφίξτε 5. Σφίξτε

1. Εισαγάγετε το εξαγωνικό κλειδί μέσα στην οπή στο κιβώτιο οδοντωτών τροχών για να ασφαλίσετε τον αξονίσκο. Περιστρέψτε τον αξονίσκο μέχρι το εξαγωνικό

κλειδί να εισαχθεί πλήρως.

2. Τοποθετήστε την κεφαλή κοπής με νάιλον πάνω στον αξονίσκο και σφίξτε την καλά με το χέρι.

3. Αφαιρέστε το εξαγωνικό κλειδί από το κιβώτιο οδοντωτών τροχών.

Για να βγάλετε την κεφαλή κοπής με νάιλον, ακολουθήστε τις διαδικασίες τοποθέτησης με αντίστροφη σειρά.

**Τύπος μη αυτόματης τροφοδοσίας**

► **Εικ.28:** 1. Παξιμάδι 2. Κεφαλή κοπής με νάιλον 3. Αξονίσκος 4. Εξαγωνικό κλειδί

1. Εισαγάγετε το εξαγωνικό κλειδί μέσα στην οπή στο κιβώτιο οδοντωτών τροχών για να ασφαλίσετε τον αξονίσκο. Περιστρέψτε τον αξονίσκο μέχρι το εξαγωνικό κλειδί να εισαχθεί πλήρως.

2. Τοποθετήστε την κεφαλή κοπής με νάιλον πάνω στον αξονίσκο και σφίξτε καλά το παξιμάδι με το σωληνωτό κλειδί.

► **Εικ.29:** 1. Σωληνωτό κλειδί 2. Εξαγωνικό κλειδί 3. Ξεσφίξτε 4. Σφίξτε

3. Αφαιρέστε το εξαγωνικό κλειδί από το κιβώτιο οδοντωτών τροχών.

Για να βγάλετε την κεφαλή κοπής με νάιλον, ακολουθήστε τις διαδικασίες τοποθέτησης με αντίστροφη σειρά.

## Πλαστική λάμα

**ΕΙΔΟΠΟΙΗΣΗ:** Χρησιμοποιήστε οπωσδήποτε γνήσια πλαστική λάμα Makita.

► **Εικ.30:** 1. Πλαστική λάμα 2. Αξονίσκος 3. Εξαγωνικό κλειδί 4. Ξεσφίξτε 5. Σφίξτε

1. Εισαγάγετε το εξαγωνικό κλειδί μέσα στην οπή στο κιβώτιο οδοντωτών τροχών για να ασφαλίσετε τον αξονίσκο. Περιστρέψτε τον αξονίσκο μέχρι το εξαγωνικό κλειδί να εισαχθεί πλήρως.

2. Τοποθετήστε την πλαστική λάμα πάνω στον αξονίσκο και σφίξτε την καλά με το χέρι.

3. Αφαιρέστε το εξαγωνικό κλειδί από το κιβώτιο οδοντωτών τροχών.

Για να αφαιρέσετε την πλαστική λάμα, ακολουθήστε τις διαδικασίες τοποθέτησης με αντίστροφη σειρά.

# ΛΕΙΤΟΥΡΓΙΑ

## Ρύθμιση της θέσης εργασίας

**▲ΠΡΟΣΟΧΗ:** Πριν εκτελέσετε αυτή τη διαδικασία, εγκαταστήστε την(ις) κασέτα(ες) μπαταριών στη φορητή ηλεκτρική τροφοδότηση και τελειώστε τις ρυθμίσεις για τη ζώνη μέσης και τον ιμάντα ώμου.

Για λεπτομέρειες, ανατρέξτε στο εγχειρίδιο οδηγιών της φορητής ηλεκτρικής τροφοδότησης.

**▲ΠΡΟΣΟΧΗ:** Για να αποφεύγετε την αβέλγητη εκκίνηση, μην ενεργοποιείτε ποτέ τη φορητή ηλεκτρική τροφοδότηση καθ' όλη αυτή τη διαδικασία. Η(Οι) κασέτα(ες) μπαταριών πρέπει να εγκατασταθούν μόνο για χρησιμότητα με πραγματική ισορροπία βάρους.

**▲ΠΡΟΣΟΧΗ:** Όταν χρησιμοποιείτε το εργαλείο σε συνδυασμό με το τροφοδοτικό τύπου σακιδίου, όπως τη φορητή ηλεκτρική τροφοδότηση, χρησιμοποιήστε τον κρεμάμενο ιμάντα που συμπεριλαμβάνεται στη συσκευασία του εργαλείου ή τον κρεμάμενο ιμάντα που συνιστά η Makita.

Αν φορέσετε ταυτόχρονα τον ιμάντα ώμου που δεν συνιστάται από τη Makita και τον ιμάντα ώμου του τροφοδοτικού τύπου σακιδίου, η αφαίρεση του εργαλείου ή του τροφοδοτικού τύπου σακιδίου είναι δύσκολη στην περίπτωση έκτακτης ανάγκης και μπορεί να προκληθεί ατύχημα ή τραυματισμός. Για τον συνιστώμενο κρεμάμενο ιμάντα, ρωτήστε στα εξουσιοδοτημένα κέντρα σέρβις της Makita.

1. Τραβήξτε το καλώδιο από τη δεξιά πλευρά της φορητής ηλεκτρικής τροφοδότησης. Όταν τραβήξετε το καλώδιο προς τα έξω, φροντίστε να τοποθετείτε το καλώδιο στους συγκρατητές όπως απεικονίζεται στην εικόνα.

► **Εικ.31:** 1. Καλώδιο 2. Συγκρατητής

2. Συνδέστε τους γάντζους του ιμάντα ανάρτησης στους δακτυλίους των ζωνών ώμου ή του ιμάντα μέσης, όπως απεικονίζεται στην εικόνα.

**Προσάρτηση του ιμάντα ανάρτησης στη ζώνη ώμου**

► **Εικ.32:** 1. Ιμάντας ανάρτησης 2. Δακτύλιος 3. Γάντζος

**Προσάρτηση του ιμάντα ανάρτησης στη ζώνη ώμου και τη ζώνη μέσης**

► **Εικ.33:** 1. Ιμάντας ανάρτησης 2. Δακτύλιος 3. Γάντζος

3. Φορέστε τον ιμάντα ώμου της φορητής ηλεκτρικής τροφοδότησης και ασφαλίστε την πόρπη στη ζώνη μέσης.

► **Εικ.34**

Ρυθμίστε το μήκος του ιμάντα ανάρτησης όπως απαιτείται.

► **Εικ.35**

4. Προσαρτήστε το εργαλείο στον ιμάντα ώμου χρησιμοποιώντας το γάντζο στον ιμάντα ανάρτησης. Φροντίστε να γαντζώσετε στον αναρτήρα του εργαλείου.

**UR101C**

► **Εικ.36:** 1. Γάντζος 2. Αναρτήρας

**UR201C**

► **Εικ.37:** 1. Γάντζος 2. Αναρτήρας

5. Εισαγάγετε το φως του εργαλείου στην υποδοχή της φορητής ηλεκτρικής τροφοδότησης.

Κατά την εισαγωγή, ευθυγραμμίστε την ένδειξη τριγώνου στο φως και την υποδοχή.

**UR101C**

► **Εικ.38:** 1. Φως 2. Υποδοχή 3. Ένδειξη τριγώνου

**UR201C**

► **Εικ.39:** 1. Φως 2. Υποδοχή 3. Ένδειξη τριγώνου

6. Ρυθμίστε το μήκος του καλωδίου χρησιμοποιώντας τον συγκρατητή όπως απαιτείται.

► **Εικ.40:** 1. Συγκρατητής

Το μήκος καλωδίου είναι σωστά ρυθμισμένο όταν μπορείτε:

— να κινείτε το εργαλείο χωρίς να εμποδίζεται από το καλώδιο,

— να κινείτε το εργαλείο χωρίς να αφήνετε το καλώδιο να πέφτει αδέξια,

— να αποσυνδέετε το φως από την υποδοχή χωρίς να βγάζετε τον ιμάντα ώμου της φορητής ηλεκτρικής τροφοδότησης.

**▲ΠΡΟΣΟΧΗ:** Αφήστε στο καλώδιο κατάλληλο τζόγο μεταξύ του εργαλείου και της φορητής ηλεκτρικής τροφοδότησης. Αν ο τζόγος είναι μικρός, η κίνηση του εργαλείου θα εμποδίζεται. Αν ο τζόγος είναι μεγάλος, το καλώδιο μπορεί να πιαστεί από κάποιο άλλο αντικείμενο και να έχει ως αποτέλεσμα κάποιο ατύχημα.

## Ρύθμιση της θέσης αναρτήρα

**Για UR101C μόνο**

Για πιο άνετο χειρισμό του εργαλείου, μπορείτε να αλλάξετε τη θέση του αναρτήρα.

1. Χαλαρώστε τη βίδα στον αναρτήρα και σύρετέ τον σε μια άνετη θέση εργασίας.

► **Εικ.41:** 1. Αναρτήρας 2. Βίδα 3. Καλώδιο

**ΕΙΔΟΠΟΙΗΣΗ:** Όταν ρυθμίζετε τη θέση του αναρτήρα, να ρυθμίζετε και τη θέση του καλωδίου.

2. Ρυθμίστε τη θέση αναρτήρα όπως απεικονίζεται στην εικόνα και, στη συνέχεια, σφίξτε τη βίδα.

► **Εικ.42**

1	Η θέση αναρτήρα από το έδαφος
2	Η θέση του κοπτικού εργαλείου από το έδαφος
3	Η οριζόντια απόσταση μεταξύ του αναρτήρα και του απροστάτευτου τμήματος του κοπτικού εργαλείου

## Εκκίνηση της λειτουργίας

**▲ ΠΡΟΣΟΧΗ:** Πριν τη λειτουργία, ολοκληρώστε τη ρύθμιση της θέσης εργασίας ακολουθώντας τις οδηγίες στην ενότητα για τη θέση εργασίας.

**▲ ΠΡΟΣΟΧΗ:** Πριν τη λειτουργία, φροντίστε οι πόρτες της ζώνη μέσης να είναι ασφαλισμένες και το εργαλείο να έχει προσαρτηθεί με ασφάλεια στον γάντζο του ιμάντα ανάρτησης.

**▲ ΠΡΟΣΟΧΗ:** Πάντα να πατάτε το κουμπί κύριας λειτουργίας για να ενεργοποιείτε το εργαλείο πριν κουρέψετε το γκαζόν. Αν δεν το κάνετε αυτό, μπορεί να προκληθεί ατομικός τραυματισμός λόγω ακούσιας εκκίνησης.

1. Τοποθετήστε την(ις) κασέτα(ες) μπαταριών στη φορητή ηλεκτρική τροφοδότηση.

► **Εικ.43:** 1. Φορητή ηλεκτρική τροφοδότηση  
2. Κασέτα μπαταριών

**ΠΑΡΑΤΗΡΗΣΗ:** Ανατρέξτε στο εγχειρίδιο οδηγίων της φορητής ηλεκτρικής τροφοδότησης για τον τρόπο εγκατάστασης των κασετών μπαταριών.

2. Πατήστε το κουμπί λειτουργίας στη φορητή ηλεκτρική τροφοδότηση. Η λυχνία κύριας λειτουργίας θα ανάψει.

► **Εικ.44:** 1. Λυχνία κύριας λειτουργίας 2. Κουμπί λειτουργίας

3. Φορέστε τον ιμάντα ώμου της φορητής ηλεκτρικής τροφοδότησης και ασφαλίστε την πόρπη στη ζώνη μέσης.

► **Εικ.45**

4. Προσαρτήστε το εργαλείο στον ιμάντα ώμου χρησιμοποιώντας το γάντζο στον ιμάντα ανάρτησης. Φροντίστε να γαντζώστε στον αναρτήρα του εργαλείου.

### UR101C

► **Εικ.46:** 1. Γάντζος 2. Αναρτήρας

### UR201C

► **Εικ.47:** 1. Γάντζος 2. Αναρτήρας

5. Εισαγάγετε το φως του εργαλείου στην υποδοχή της φορητής ηλεκτρικής τροφοδότησης.

Κατά την εισαγωγή, ευθυγραμμίστε την ένδειξη τριγώνου στο φως και την υποδοχή.

### UR101C

► **Εικ.48:** 1. Φως 2. Υποδοχή 3. Ένδειξη τριγώνου

### UR201C

► **Εικ.49:** 1. Φως 2. Υποδοχή 3. Ένδειξη τριγώνου

6. Κτυπήστε το κουμπί κύριας λειτουργίας για να ενεργοποιήσετε το εργαλείο.

Το εργαλείο είναι έτοιμο για λειτουργία. Το εργαλείο θα τεθεί σε λειτουργία όταν τραβήξετε τη σκανδάλη διακόπτη.

► **Εικ.50:** 1. Κουμπί κύριας λειτουργίας

**▲ ΠΡΟΣΟΧΗ:** Όταν αναστέλλετε τη λειτουργία, να απενεργοποιείτε πάντα το εργαλείο και να αφαιρείτε το φως από την υποδοχή. Αν δεν το κάνετε αυτό, μπορεί να προκληθεί ατομικός τραυματισμός λόγω ακούσιας εκκίνησης.

Όταν τερματίζετε τη λειτουργία, πατήστε παρατεταμένα το κουμπί κύριας λειτουργίας μέχρι η ένδειξη ταχύτητας να σβήσει και, στη συνέχεια, εκτελέστε τις παραπάνω διαδικασίες με αντίστροφη σειρά.

## Σωστός χειρισμός του εργαλείου

**▲ ΠΡΟΕΙΔΟΠΟΙΗΣΗ:** Να τοποθετείτε πάντα το εργαλείο στη δεξιά πλευρά σας. Η σωστή τοποθέτηση του εργαλείου επιτρέπει το μέγιστο έλεγχο και μειώνει τον κίνδυνο σοβαρού προσωπικού τραυματισμού που προκαλείται από κλότσημα.

**▲ ΠΡΟΕΙΔΟΠΟΙΗΣΗ:** Δώστε μεγάλη προσοχή για να διατηρήσετε τον έλεγχο του εργαλείου ανά πάσα στιγμή. Μην αφήνετε το εργαλείο να εκτραπεί προς το μέρος σας ή προς οποιονδήποτε άλλον στην περιοχή εργασίας. Αν δεν διατηρήσετε τον έλεγχο του εργαλείου, μπορεί να προκύψει σοβαρός τραυματισμός σε παρευρισκόμενους και στο χειριστή.

**▲ ΠΡΟΕΙΔΟΠΟΙΗΣΗ:** Προς αποφυγή ενδεχόμενου ατυχήματος, η απόσταση μεταξύ δύο χειριστών πρέπει να είναι 15 m, όταν στον ίδιο χώρο εργάζονται δύο ή περισσότεροι χειριστές. Επίσης, ορίστε ένα άτομο που θα παρατηρεί την απόσταση μεταξύ των χειριστών. Αν κάποιο άτομο ή ζώο εισέλθει στο χώρο εργασίας, διακόψτε αμέσως τη λειτουργία του εργαλείου.

**▲ ΠΡΟΣΟΧΗ:** Αν, κατά τη διάρκεια της λειτουργίας, το κοπτικό εργαλείο χτυπήσει κατά λάθος σε πέτρα ή σκληρό αντικείμενο, διακόψτε τη λειτουργία του εργαλείου και ελέγξτε για τυχόν ζημιά. Αν το κοπτικό εργαλείο έχει υποστεί ζημιά, αντικαταστήστε το αμέσως. Η χρήση ενός κατεστραμμένου κοπτικού εργαλείου μπορεί να έχει ως αποτέλεσμα σοβαρό προσωπικό τραυματισμό.

**▲ ΠΡΟΣΟΧΗ:** Αφαιρέστε το κάλυμμα λάμας από την κοπτική λάμα όταν κόβετε γρασίδι.

Η σωστή τοποθέτηση και χειρισμός επιτρέπουν το βέλτιστο έλεγχο και μειώνει τον κίνδυνο τραυματισμού που προκαλείται από κλότσημα.

### UR101C

► **Εικ.51**

### UR201C

► **Εικ.52**

**Όταν χρησιμοποιείται κεφαλή κοπής με νάιλον (τύπος τροφοδοσίας μεσινέζας με κτύπημα κεφαλής)**

Η κεφαλή κοπής με νάιλον είναι μια κουρευτική κεφαλή με διπλή πετονιά που παρέχεται με μηχανισμό χειροκίνητης τροφοδοσίας της πετονιάς με κτύπημα της κεφαλής.

Για την έξοδο της μεσινέζας, κτυπήστε την κεφαλή κοπής επάνω στο έδαφος ενώ περιστρέφεται η κεφαλή κοπής.

## ► Εικ.53: 1. Πιο αποτελεσματική περιοχή κοπής

**ΕΙΔΟΠΟΙΗΣΗ:** Η τροφοδοσία μεσινέζας με κτύπημα κεφαλής δεν θα λειτουργήσει σωστά αν η κεφαλή κοπής με νάilon δεν περιστρέφεται.

**ΠΑΡΑΤΗΡΗΣΗ:** Αν η νάilon μεσινέζα δεν εξέρχεται ενώ κτυπάτε την κεφαλή, επανατυλίξτε/αντικαταστήστε τη νάilon μεσινέζα ακολουθώντας τις διαδικασίες στην ενότητα για τη συντήρηση.

## Έκτακτη αποσύνδεση

**▲ ΠΡΟΣΟΧΗ:** Σε περίπτωση έκτακτης αποσύνδεσης, προσέχετε ιδιαίτερα τη θέση του περιστρεφόμενου κοπτικού εργαλείου.

Σε περίπτωση έκτακτης ανάγκης, αποσυνδέστε το εργαλείο με οποιονδήποτε από τους τρόπους που περιγράφονται στη συνέχεια:

Απασφαλίστε την πόρπη στη ζώνη μέσης και βγάλτε τον ιμάντα ώμου της φορητής ηλεκτρικής τροφοδότησης που είναι συνδεδεμένη στο εργαλείο.

► Εικ.54: 1. Πόρπη

Απασφαλίστε την πόρπη του ιμάντα ανάρτησης και απελευθερώστε το εργαλείο. Το καλώδιο θα αποσυνδεθεί λόγω του βάρους του εργαλείου.

► Εικ.55: 1. Πόρπη

## ΣΥΝΤΗΡΗΣΗ

**▲ ΠΡΟΕΙΔΟΠΟΙΗΣΗ:** Να φροντίζετε πάντα για την απενεργοποίηση του εργαλείου και την αποσύνδεση της φορητής ηλεκτρικής τροφοδότησης από το εργαλείο πριν επιχειρήσετε να εκτελέσετε μια εργασία επιθεώρησης ή συντήρησης στο εργαλείο. Αν δεν απενεργοποιήσετε και αποσυνδέσετε τη φορητή ηλεκτρική τροφοδότηση, μπορεί να προκληθεί σοβαρός προσωπικός τραυματισμός από την τυχαία εκκίνηση.

**ΕΙΔΟΠΟΙΗΣΗ:** Μην χρησιμοποιείτε ποτέ βενζίνη, πετρελαϊκό αιθέρα, διαλυτικό, αλκοόλη ή παρόμοιες ουσίες. Μπορεί να προκληθεί αποχρωματισμός, παραμόρφωση ή ρωγμές.

Για τη διατήρηση της ΑΣΦΑΛΕΙΑΣ και ΑΞΙΟΠΙΣΤΙΑΣ του προϊόντος, οι επισκευές και οποιαδήποτε άλλη εργασία συντήρησης ή ρύθμισης πρέπει να εκτελούνται από εξουσιοδοτημένα ή εργοστασιακά κέντρα εξυπηρέτησης της Makita, χρησιμοποιώντας πάντοτε ανταλλακτικά της Makita.

## Καθαρισμός του εργαλείου

Καθαρίστε το εργαλείο σκουπίζοντας τη σκόνη, το χώμα ή τα κομμένα χόρτα με ένα στεγνό πανί ή ένα πανί που έχετε βουτήξει σε σαπουνό νερό και το έχετε στραγγίξει. Για να αποφύγετε την υπερθέρμανση του εργαλείου, αφαιρέστε οπωσδήποτε τα κομμένα χόρτα ή τα σκουπίδια που έχουν κολλήσει στον αεραγωγό του εργαλείου.

## Αντικατάσταση της νάilon μεσινέζας

**▲ ΠΡΟΕΙΔΟΠΟΙΗΣΗ:** Να χρησιμοποιείτε τη νάilon μεσινέζα μόνο με τη διάμετρο που καθορίζεται στο παρόν εγχειρίδιο οδηγιών. Μην χρησιμοποιείτε ποτέ πιο χονδρή γραμμή, σύρμα, σκοινί ή κάτι παρόμοιο. Αν δεν το κάνετε αυτό, μπορεί να προκληθεί ζημιά στο εργαλείο και να έχει ως αποτέλεσμα σοβαρό προσωπικό τραυματισμό.

**▲ ΠΡΟΕΙΔΟΠΟΙΗΣΗ:** Να αφαιρείτε πάντα την κεφαλή κοπής με νάilon από το εργαλείο όταν αλλάζετε τη νάilon μεσινέζα.

**▲ ΠΡΟΕΙΔΟΠΟΙΗΣΗ:** Φροντίστε ώστε το κάλυμμα της κεφαλής κοπής με νάilon να είναι στερεωμένο σωστά στο περίβλημα όπως περιγράφεται στο παρόν εγχειρίδιο οδηγιών. Αν δεν ασφαλίσετε κατάλληλα το κάλυμμα, μπορεί να προκληθεί η εκτόξευση της κεφαλής κοπής με νάilon προκαλώντας σοβαρό προσωπικό τραυματισμό.

Αντικαταστήστε τη νάilon μεσινέζα αν δεν είναι πλέον δυνατή η τροφοδοσία της. Η μέθοδος αντικατάστασης της νάilon μεσινέζας διαφέρει ανάλογα με τον τύπο της κεφαλής κοπής με νάilon.

### 95-M10L

► Εικ.56

### 96-M10L

► Εικ.57

### 98-M10L

► Εικ.58

### B&F ECO 4L

► Εικ.59

### UN-74L, UN-72L

► Εικ.60

## Τύπος μη αυτόματης τροφοδοσίας

Όταν η νάilon μεσινέζα κοντύνει, τραβήξτε την έξω από το οφθαλμίδιο και τροφοδοτήστε την από το άλλο οφθαλμίδιο.

► Εικ.61

## Αντικατάσταση της πλαστικής λάμας

Αντικαταστήστε την πλαστική λάμα αν έχει φθαρεί ή σπάσει.

► Εικ.62

Όταν τοποθετείτε την πλαστική λάμα, ευθυγραμμίστε την κατεύθυνση του βέλους στη λάμα με αυτή στο προστατευτικό.

► Εικ.63: 1. Βέλος στο προστατευτικό 2. Βέλος στη λάμα

# ΑΝΤΙΜΕΤΩΠΙΣΗ ΠΡΟΒΛΗΜΑΤΩΝ

Πριν ζητήσετε επισκευές, εκτελέστε αρχικά τη δική σας επιθεώρηση. Αν εντοπίσετε πρόβλημα που δεν επεξηγείται στο εγχειρίδιο, μην επιχειρήσετε να αποσυναρμολογήσετε το εργαλείο. Αντ' αυτού, ζητήστε βοήθεια από εξουσιοδοτημένα κέντρα εξυπηρέτησης της Makita και πάντοτε να χρησιμοποιείτε γνήσια ανταλλακτικά της Makita.

Κατάσταση προβλήματος	Πιθανή αιτία (δυσλειτουργία)	Αποκατάσταση
Το μοτέρ δεν λειτουργεί.	Δεν είναι τοποθετημένη η κασέτα μπαταριών.	Τοποθετήστε την κασέτα μπαταριών.
	Πρόβλημα μπαταριών (μικρή τάση)	Επαναφορτίστε την κασέτα μπαταριών. Αν η επαναφόρτιση δεν είναι αποτελεσματική, αλλάξτε την κασέτα μπαταριών.
	Το σύστημα μετάδοσης κίνησης δεν λειτουργεί σωστά.	Απευθυνθείτε στο τοπικό εξουσιοδοτημένο κέντρο σέρβις για επισκευή.
Το μοτέρ σταματά να λειτουργεί μετά από μικρή χρήση.	Το επίπεδο φόρτισης μπαταρίας είναι χαμηλό.	Επαναφορτίστε την κασέτα μπαταριών. Αν η επαναφόρτιση δεν είναι αποτελεσματική, αλλάξτε την κασέτα μπαταριών.
	Υπερθέρμανση.	Σταματήστε να χρησιμοποιείτε το εργαλείο για να το αφήσετε να κρυώσει.
Το εργαλείο δεν φτάνει τις μέγιστες ΣΑΛ.	Η κασέτα μπαταριών δεν είναι σωστά τοποθετημένη.	Τοποθετήστε την κασέτα μπαταριών όπως περιγράφεται σε αυτό το εγχειρίδιο.
	Η ισχύς της μπαταρίας πέφτει.	Επαναφορτίστε την κασέτα μπαταριών. Αν η επαναφόρτιση δεν είναι αποτελεσματική, αλλάξτε την κασέτα μπαταριών.
	Το σύστημα μετάδοσης κίνησης δεν λειτουργεί σωστά.	Απευθυνθείτε στο τοπικό εξουσιοδοτημένο κέντρο σέρβις για επισκευή.
Το εργαλείο κουρέματος δεν περιστρέφεται: ⇒ Σταματήστε αμέσως το μηχάνημα!	Έχει φράξει ένα ξένο αντικείμενο, όπως ένα κλαδί, μεταξύ του προφυλακτήρα και του κοπτικού εργαλείου.	Αφαιρέστε το ξένο αντικείμενο.
	Το κοπτικό εργαλείο είναι χαλαρά συνδεδεμένο.	Σφίξτε καλά το κοπτικό εργαλείο.
	Το σύστημα μετάδοσης κίνησης δεν λειτουργεί σωστά.	Απευθυνθείτε στο τοπικό εξουσιοδοτημένο κέντρο σέρβις για επισκευή.
Ασυνήθιστοι κραδασμοί: ⇒ Σταματήστε αμέσως το μηχάνημα!	Σπασμένο, λυγισμένο ή φθαρμένο κοπτικό εργαλείο	Αντικαταστήστε το κοπτικό εργαλείο.
	Το κοπτικό εργαλείο είναι χαλαρά συνδεδεμένο.	Σφίξτε καλά το κοπτικό εργαλείο.
	Το σύστημα μετάδοσης κίνησης δεν λειτουργεί σωστά.	Απευθυνθείτε στο τοπικό εξουσιοδοτημένο κέντρο σέρβις για επισκευή.
Το κοπτικό εργαλείο και το μοτέρ δεν σταματούν: ⇒ Αποσυνδέστε τη φορητή ηλεκτρική τροφοδότηση από το εργαλείο αμέσως!	Ηλεκτρική ή ηλεκτρονική δυσλειτουργία.	Αποσυνδέστε τη φορητή ηλεκτρική τροφοδότηση από το εργαλείο και απευθυνθείτε στο τοπικό εξουσιοδοτημένο κέντρο σέρβις για επισκευή.

## ΠΡΟΑΙΡΕΤΙΚΑ ΕΞΑΡΤΗΜΑΤΑ

**▲ ΠΡΟΕΙΔΟΠΟΙΗΣΗ:** Να χρησιμοποιείτε μόνο τα συνιστώμενα εξαρτήματα ή προσαρτήματα που υποδεικνύονται στο παρόν εγχειρίδιο. Η χρήση οποιωνδήποτε άλλων εξαρτημάτων ή προσαρτημάτων μπορεί να έχει ως αποτέλεσμα σοβαρό προσωπικό τραυματισμό.

**▲ ΠΡΟΣΟΧΗ:** Αυτά τα εξαρτήματα ή προσαρτήματα συνιστώνται για χρήση με το εργαλείο Makita που περιγράφηκε στις οδηγίες αυτές. Η χρήση οποιωνδήποτε άλλων εξαρτημάτων ή προσαρτημάτων μπορεί να προκαλέσει κίνδυνο τραυματισμού σε άτομα. Να χρησιμοποιείτε τα εξαρτήματα ή προσαρτήματα μόνο για την χρήση που προορίζονται.

Εάν χρειάζεστε οποιαδήποτε βοήθεια για περισσότερες πληροφορίες σε σχέση με αυτά τα εξαρτήματα, απευθυνθείτε στο τοπικό σας κέντρο εξυπηρέτησης Makita.

- Κοπτική λάμα
- Κεφαλή κοπής με νάιλον
- Νάιλον μεινιέζα (πετιονιά κοπής)
- Πλαστική λάμα
- Προστατευτικό
- Γνήσια μπαταρία και φορτιστής της Makita

**ΠΑΡΑΤΗΡΗΣΗ:** Μερικά στοιχεία στη λίστα μπορεί να συμπεριλαμβάνονται στη συσκευασία εργαλείου ως στάνταρ εξαρτήματα. Μπορεί να διαφέρουν ανάλογα με τη χώρα.

## TEKNİK ÖZELLİKLER

Model:		UR101C	UR201C
Kol tipi		Gidon	Yuvarlak kol
Yüksüz hız (her bir dönüş hızı seviyesinde)	Kesici bıçak Plastik bıçak (305 mm)	3: 0 - 7.000 min <sup>-1</sup> 2: 0 - 5.500 min <sup>-1</sup> 1: 0 - 4.600 min <sup>-1</sup>	
	Misinalı kesim başlığı Plastik bıçak (255 mm)	3: 0 - 5.500 min <sup>-1</sup> 2: 0 - 5.000 min <sup>-1</sup> 1: 0 - 4.600 min <sup>-1</sup>	
Tam uzunluk (kesici parça hariç)		1.760 mm	1.795 mm
Misina çapı		2,4 mm	
Kullanılabilecek kesici parça ve kesme çapı	2 dişli bıçak (P/N 198345-9)	255 mm	
	3 dişli bıçak (P/N 195299-1)	255 mm	
	4 dişli bıçak (P/N 196895-8)	255 mm	
	Misinalı kesim başlığı (P/N 197993-1 / 191D90-9 / 1915D7-6)	430 mm	
	Plastik bıçak (P/N 198383-1) (P/N 199868-0)	255 mm 305 mm	
Anma voltajı		D.C. 36 V - 40 V maks.	
Net ağırlık		5,2 kg	4,7 kg
Koruma sınıfı		IPX4	

- Sürekli yapılan araştırma ve geliştirmelerden dolayı, burada belirtilen özellikler önceden bildirilmeksizin değiştirilebilir.
- Özellikler ülkeden ülkeye değişebilir.
- EPTA-Prosedürü 01/2014 uyarınca ağırlık

### Önerilen kablo bağlantılı güç kaynağı

Taşınabilir güç ünitesi	PDC01 / PDC1200 / PDC1500
-------------------------	---------------------------

- Yukarıda listelenen kablo bağlantılı güç kaynakları yaşadığınız bölgeye bağlı olarak mevcut olmayabilir.
- Kablo bağlantılı güç kaynağını kullanmadan önce, üzerindeki uyarı işaretlerini ve talimatı okuyun.

## Gürültü

### Model UR101C

Kesici parça	Ses basıncı seviyesi (L <sub>pa</sub> ) dB(A)		Ses gücü düzeyi (L <sub>WA</sub> ) dB(A)		Geçerli standart
	(L <sub>pa</sub> ) dB(A)	Belirsizlik (K) dB(A)	(L <sub>WA</sub> ) dB(A)	Belirsizlik (K) dB(A)	
2 dişli bıçak	81,7	0,5	93,9	0,8	ISO22868(ISO11806-1)
4 dişli bıçak	83,0	0,3	97,6	0,2	ISO22868(ISO11806-1)
Misinalı kesim başlığı	80,0	0,9	91,8	1,0	ISO22868(ISO11806-1)/ EN50636-2-91
Plastik bıçak	78,0	1,0	87,4	0,7	ISO22868(ISO11806-1)/ EN50636-2-91

### Model UR201C

Kesici parça	Ses basıncı seviyesi (L <sub>pa</sub> ) dB(A)		Ses gücü düzeyi (L <sub>WA</sub> ) dB(A)		Geçerli standart
	(L <sub>pa</sub> ) dB(A)	Belirsizlik (K) dB(A)	(L <sub>WA</sub> ) dB(A)	Belirsizlik (K) dB(A)	

2 dişli bıçak	81,7	0,5	93,9	0,8	ISO22868(ISO11806-1)
4 dişli bıçak	83,0	0,3	97,6	0,2	ISO22868(ISO11806-1)
Misinalı kesim başlığı	80,0	0,9	91,8	1,0	ISO22868(ISO11806-1)/ EN50636-2-91
Plastik bıçak	78,0	1,0	87,4	0,7	ISO22868(ISO11806-1)/ EN50636-2-91

- Yukarıda belirtilen ses basınç seviyesi 80 dB (A) veya daha düşük olsa da, çalışma sırasındaki seviye 80 dB (A)'yı aşabilir. Kulak koruyucuları takın.

**NOT:** Beyan edilen gürültü emisyonu değer(ler) bir standart test yöntemine uygun şekilde ölçülmüştür ve bir aleti bir başkasıyla karşılaştırmak için kullanılabilir.

**NOT:** Beyan edilen gürültü emisyonu değer(ler) bir ön maruz kalma değerlendirmesi olarak da kullanılabilir.

**UYARI:** Kulak koruyucuları takın.

**UYARI:** Elektrikli aletin gerçek kullanımı sırasındaki gürültü emisyonu, aletin kullanım biçimlerine, özellikle işlenen iş parçasının türüne bağlı olarak beyan edilen değer(ler)den farklı olabilir.

**UYARI:** Gerçek kullanım koşullarındaki tahmini maruziyeti baz alan, operatörü koruyacak güvenlik önlemlerini mutlaka belirleyin (çalışma döngüsü içerisinde aletin kapalı olduğu ve aktif durumda olmasının yanı sıra boşta çalıştığı zamanlar gibi, bütün zaman dilimleri göz önünde bulundurarak).

## Titreşim

Geçerli standart : ISO22867(ISO11806-1)

### Model UR101C

Kesici parça	Sol el		Sağ el	
	$a_{h,w}$ (m/s <sup>2</sup> )	Belirsizlik K (m/s <sup>2</sup> )	$a_{h,w}$ (m/s <sup>2</sup> )	Belirsizlik K (m/s <sup>2</sup> )
2 dişli bıçak	≤ 2,5	1,5	≤ 2,5	1,5
4 dişli bıçak	≤ 2,5	1,5	≤ 2,5	1,5
Misinalı kesim başlığı	≤ 2,5	1,5	≤ 2,5	1,5
Plastik bıçak	≤ 2,5	1,5	≤ 2,5	1,5

### Model UR201C

Kesici parça	Sol el		Sağ el	
	$a_{h,w}$ (m/s <sup>2</sup> )	Belirsizlik K (m/s <sup>2</sup> )	$a_{h,w}$ (m/s <sup>2</sup> )	Belirsizlik K (m/s <sup>2</sup> )
2 dişli bıçak	≤ 2,5	1,5	≤ 2,5	1,5
4 dişli bıçak	≤ 2,5	1,5	≤ 2,5	1,5
Misinalı kesim başlığı	≤ 2,5	1,5	≤ 2,5	1,5
Plastik bıçak	≤ 2,5	1,5	≤ 2,5	1,5

**NOT:** Beyan edilen titreşim toplam değer(ler) bir standart test yöntemine uygun şekilde ölçülmüştür ve bir aleti bir başkasıyla karşılaştırmak için kullanılabilir.

**NOT:** Beyan edilen titreşim toplam değer(ler) bir ön maruz kalma değerlendirmesi olarak da kullanılabilir.

**UYARI:** Elektrikli aletin gerçek kullanımı sırasındaki titreşim emisyonu, aletin kullanım biçimlerine, özellikle işlenen iş parçasının türüne bağlı olarak beyan edilen değer(ler)den farklı olabilir.

**UYARI:** Gerçek kullanım koşullarındaki tahmini maruziyeti baz alan, operatörü koruyacak güvenlik önlemlerini mutlaka belirleyin (çalışma döngüsü içerisinde aletin kapalı olduğu ve aktif durumda olmasının yanı sıra boşta çalıştığı zamanlar gibi, bütün zaman dilimleri göz önünde bulundurarak).

## Semboller

Ekipmanı için kullanılacak semboller aşağıda gösterilmiştir. Kullanmadan önce anlamlarını anladığınızdan emin olun.



Çok özenli ve dikkatli kullanın.



El kitabını okuyun.



En az 15 m uzakta durun.



Tehlike; sıçrayan nesnelere korunun.



Dikkat; geri tepme



Kask, koruyucu gözlük ve kulak koruyucu takın.



Koruyucu eldiven giyin.



Altı kaymayan sağlam ayakkabılar giyin.  
Çelik burunlu güvenlik ayakkabıları önerilir.



Sadece AB ülkeleri için  
Ekipmanda tehlikeli bileşenler bulunduğundan dolayı atık elektrikli ve elektronik ekipmanlar, aküler ve bataryalar çevre ve insan sağlığı üzerinde olumsuz etkiye yol açabilir.  
Elektrikli ve elektronik cihazları veya bataryaları evsel atıklarla birlikte atmayın!  
Atık elektrikli ve elektronik ekipmanlar ile akümülatörler ve bataryalar hakkındaki Avrupa Direktifi ve söz konusu direktifin ulusal yasalara uyarlanması gereğince atık elektrikli ekipmanlar, bataryalar ve akümülatörler ayrı olarak depolanmalı ve çevre koruma hakkındaki mevzuata uygun olarak faaliyet gösteren ayrı bir kentsel atık toplama noktasına teslim edilmelidir.  
Bu husus, ekipmanın üzerine yerleştirilmiş üzerinde çarpı işareti bulunan tehlikeli çöp kovası simgesi ile belirtilmiştir.



AB Dış Mekan Gürültü Direktifi uyarınca garanti edilen ses gücü seviyesi.



Avustralya NSW Gürültü Kontrol Mevzuatı uyarınca ses gücü seviyesi

## Uygunluk Beyanları

### Sadece Avrupa ülkeleri için

Uygunluk beyanları bu kullanma kılavuzuna Ek A olarak eklenmiştir.

## GÜVENLİK UYARILARI

### Genel elektrikli alet güvenliği uyarıları

**UYARI** Bu elektrikli aletle birlikte verilen tüm güvenlik uyarılarını, talimatları, resimli açıklamaları ve teknik özellikleri okuyun. Aşağıda listelenen talimatların herhangi birine uyulmaması elektrik çarpması, yangın ve/veya ciddi yaralanma ile sonuçlanabilir.

### Tüm uyarıları ve talimatları ile-ride baş vurmak için saklayın.

Uyarılardaki "elektrikli alet" terimi ile ya prizden çalışan (kordonlu) elektrikli aletiniz ya da kendi aküsü ile çalışan (kordsuz) elektrikli aletiniz kastedilmektedir.

## Alet hakkında önemli güvenlik talimatları

**UYARI:** Bu kullanma kılavuzunu ve bu aletle kullanılacak taşınabilir güç ünitesinin kullanma kılavuzlarını mutlaka baştan sona okuyup anlayın. Uyarılara ve talimatlara uyulmaması elektrik şoku, yangın ve/veya ciddi yaralanmalar ile sonuçlanabilir.

**UYARI:** Tüm güvenlik uyarılarını ve tüm talimatları okuyun. Uyarılara ve talimatlara uyulmaması elektrik şoku, yangın ve/veya ciddi yaralanmalar ile sonuçlanabilir.

## Tüm uyarıları ve talimatları ile-ride baş vurmak için saklayın.

### Kullanım amacı

1. Bu alet sadece çim, yabancı ot, çalı ve ağaçların altında yetişen bitkileri kesmek için tasarlanmıştır. Kenar düzeltme veya çit budama gibi başka hiçbir amaçla kullanılmamalıdır, aksi takdirde yaralanmalara neden olabilir.

### Genel talimatlar

1. Aletin, bu talimatları bilmeyen, (çocuklar dahil) fiziksel, duyuşsal ya da zihinsel yetenekleri kısıtlı olan veya deneyim ya da bilgileri olmayan kişilerce kullanılmasına asla izin vermayın. Aletle oynamadıklarından emin olmak için çocuklar kontrol altında bulundurulmalıdır.
2. Aleti çalıştırmadan önce aletin kullanımına aşina olmak için bu kullanma kılavuzunu okuyun.
3. Aleti, yan tırpan ve misinalı yan tırpan kullanımını hakkında yeterli deneyim veya bilgisi olmayan kişilere ödünç vermeyin.
4. Aleti ödünç verirken bu kullanma kılavuzunu mutlaka iştirin.
5. Aleti azami özen ve dikkatle kullanın.
6. Alkol veya ilaç aldıktan sonra ya da yorgun veya hasta hissettiğinizde aleti kesinlikle kullanmayın.
7. Alet üzerinde asla değişiklik yapmaya kalkışmayın.
8. Yan tırpan ve misinalı yan tırpanların kullanımıyla ilgili kendi ülkenizdeki düzenlemeleri takip edin.

### Kişisel koruyucu ekipmanlar

#### ► Şek.1

1. Uçuşan çer çöp veya düşen nesnelere kendinizi korumak için güvenlik kaskı, koruyucu gözlük ve koruyucu eldiven takın.
2. İşitme kaybını engellemek için kulak tıkacı gibi kulak koruyucu takın.
3. Güvenli çalışma için iş tulumu ve sağlam, kaymaz ayakkabı gibi uygun giysi ve ayakkabı giyin. Bol kıyafet giymeyin veya takı takmayın. Bol kıyafet, takı veya uzun saç hareketli parçalara kapılabilir.
4. Kesici bıçağa dokunurken koruyucu eldiven



giyin. Kesici bıçaklar çıplak elleri ağır biçimde kesebilir.

## Çalışma alanı güvenliği

1. Aleti sadece aydınlık bir ortamda ve gün ışığında kullanın. Aleti karanlıkta ya da sisli havada kullanmayın.
2. Aleti örneğin yanıcı sıvıların, gazların veya tozun bulunduğu patlayıcı ortamlarda kullanmayın. Alet, tozları ya da dumanları tutuşturabilecek kıvılcımlar çıkarır.
3. Kullanım sırasında, asla sabit olmayan ya da kaygan bir yüzeyde veya dik meyilli bir yerde durmayın. Soğuk mevsimlerde, buz ve kara karşı dikkatli olun ve her zaman yere sağlam bastığınızın emin olun.
4. Kullanım sırasında, etrafınızdaki kişileri ya da hayvanları aletten en az 15 m uzakta tutun. Bir yaklaştığı anda aleti durdurun.
5. Aleti asla çevresinde insanlar, özellikle de çocuklar veya evcil hayvanlar varken kullanmayın.
6. Çalıştırmadan önce, çalışma alanında taş ya da başka sert cisimler olup olmadığına bakın. Bunlar fırlatılabilir veya tehlikeli geri tepmeye neden olarak ciddi yaralanma ve/veya mal hasarına yol açabilir.
7. **⚠UYARI:** Bu ürünün kullanılması, solunum veya başka hastalıklara neden olabilecek kimyasallar içeren toz üretilebilir. Tarım ilaçları, böcek ilaçları, gübreler ve ot öldürücülerde bulunan bileşikler, bu kimyasallara bazı örneklerdir. Bu kimyasallara maruz kalmanızdan dolayı oluşacak risk, bu tip işleri ne sıklıkla yaptığınıza göre değişir. Bu kimyasallara maruziyetinizi azaltmak için: iyi havalandırılmış bir alanda ve mikroskobik parçacıkları filtrelemek için tasarlanmış toz maskeleri gibi onaylanmış güvenlik ekipmanları ile çalışın.

## Elektrik ve batarya güvenliği

1. Aleti yağmura veya ıslak koşullara maruz bırakmayın. Makinenin içine su girmesi elektrik çarpması riskini arttıracaktır.
2. Anahtar aleti açıp kapatmıyorsa aleti kullanmayın. Anahtarla kontrol edilemeyen her türlü alet tehlikelidir ve onarılmalıdır.
3. Aletin istem dışı çalışmasını önleyin. Aleti elinize almadan veya taşımadan önce anahtarın kapalı konumda olduğundan emin olun. Aleti parmağınız anahtarın üzerindenkeyen taşımaya ya da anahtar açık konumundayken alete güç verme kazalara davetiye çıkarır.
4. Bataryayı/bataryaları ateşe atmayın. Batarya hücreyi patlayabilir. Bertaraf etmeye ilişkin özel talimatlar için yerel yönetmelikleri kontrol edin.
5. Batarya/bataryaları açmayın ya da batarya(lar) üzerinde değişiklik yapmayın. Ortaya çıkan elektrolit aşındırıcıdır ve gözleze ya da cilde zarar verebilir. Yutulduğu takdirde zehirli olabilir.
6. Bataryayı yağmurda veya ıslak yerlerde şarj etmeyin.
7. Bataryayı ıslak ellerle değiştirmeyin.

8. Bataryayı yağmurda değiştirmeyin.
9. Batarya bağlantı uçlarını su gibi sıvılarla ıslatmayın ya da bataryayı sıvılarına sokmayın. Bataryayı yağmurda bırakmayın veya bataryayı nemli ya da ıslak yerlerde şarj etmeyin, kullanmayın veya depolamayın. Bağlantı uçları ıslanır veya bataryanın içine sıvı girerse batarya kısa devre olabilir ve aşırı ısınma, yangın veya patlama riski ortaya çıkar.
10. Yağmurda veya ıslak koşullarda fişi taşınabilir güç ünitesinin prizine takmayın/prizinden çıkarmayın. Aleti ve taşınabilir güç ünitesini yağmurda veya nemli ya da ıslak yerlerde bırakmayın, kullanmayın veya depolamayın. Aksi takdirde elektrik çarpmasına neden olabilir.
11. Bataryayı taşınabilir güç ünitesi veya şarj aletinden çıkardıktan sonra mutlaka bataryaya batarya kapağını takın ve kuru bir yerde depolayın.
12. Batarya kartuşu ıslanırsa içinden suyu boşaltın ve ardından kuru bir bezle silin. Kullanmadan önce batarya kartuşunu kuru bir yerde tamamen kurulaştırın.

## Kullanıma alma

1. Aleti monte etmeden veya ayarlamadan önce taşınabilir güç ünitesini aletten ayırın.
2. Kesici bıçakla işlem yapmadan önce koruyucu eldiven giyin.
3. Taşınabilir güç ünitesini alete bağlamadan önce aleti hasarlara, gevşek vida/somunlara veya hatalı montaja karşı kontrol edin. Kör kesici bıçağı bileyin. Kesici bıçak eğilir veya hasar görürse değiştirin. Tüm kontrol kollarını ve anahtarları kontrol ederek rahat çalıştıklarını görün. Kolları temizleyin ve kurulaştırın.
4. Hasarlı veya tamamen monte edilmemiş ise aleti çalıştırmaya asla kalkışmayın. Aksi takdirde ciddi yaralanmaya neden olabilir.
5. Omuz askısı ve tutamağı, kullanıcının vücut ölçüsüne uyacak şekilde ayarlayın.
6. Taşınabilir güç ünitesini alete bağlarken kesici ek parçayı vücudunuzdan ve yer dahil diğer nesnelere uzak tutun. Çalıştırılırken döner ve yaralanmaya veya alet ve/veya malın hasar görmesine yol açabilir.
7. Aleti çalıştırmadan önce her türlü ayar anahtarını, anahtar veya bıçak kapağını çıkarın. Aletin hareketli bir parçasına takılı kalan aksesuar, yaralanmaya sonuçlanabilir.
8. Kesici parça, siperle donatılmıdır. Aleti asla hasarlı siperlerle ya da siperler takılı değilken çalıştırmayın.
9. Aletin kullanımından dolayı hasar görmesi halinde tehlikeye yol açabilecek elektrik kabloları, su boruları, gaz boruları, vb. olmadığından emin olun.

## Çalıştırma

1. Acil bir durumda, aleti derhal kapatın.
2. İşlem sırasında herhangi bir anormal durum (örneğin gürültü, titreşim) hissederseniz aleti kapatın ve taşınabilir güç ünitesini aletten ayırın. Durumun nedeni anlaşılıp çözülene kadar

- aleti kullanmayın.**
- Alet kapatıldıktan sonra kesici ek parça kısa bir süre daha dönmeye devam eder. Kesici ek parçaya dokunmak için acele etmeyin.**
  - Çalışma sırasında, omuz askısını kullanın. Aleti sağ tarafınızda sıkı bir şekilde tutun.**
  - Fazla ileriye uzanmaya çalışmayın. Her zaman yere sağlam basın ve dengeinizi koruyun. Tökezlememek için, ağaç kütükleri, kökler ve çukur alanlar gibi gizli engellere dikkat edin. Eğimli yerlerde adımlarınıza daima dikkat edin.**
  - Yürüyerek kullanın, asla koşmayın.**
  - Kontrol kaybindan sakınmak için asla bir merdivenin üzerinde veya ağaçta çalışmayın.**
  - Alet ağır bir darbe alır ya da düşerse, çalışmaya devam etmeden önce durumunu kontrol edin. Kumandalarda ve güvenlik aygıtlarında arıza olup olmadığını kontrol edin. Herhangi bir hasar veya tereddüt durumunda kontrol ve onarım için yetkili servis merkezimize başvurun.**
  - Çalışma sırasında veya hemen ardından dişli kutusuna dokunmayın. Çalışma sırasında dişli kutusu ısınır ve yanık yaralanmasına neden olabilir.**
  - Yorgunluk nedeniyle kontrol kaybı oluşmasını önlemek için dinlenin. Saat başına 10 ila 20 dakika dinlenmeniz önerilir.**
  - Aleti kısa bir süreliğine olsa bile bırakırken taşınabilir güç ünitesini aletten mutlaka ayırın. Batarya kartuşu takılı durumda gözetimsiz bırakılan alet, yetkisiz bir kişi tarafından kullanılabilir ve ciddi kazalara sebep olabilir.**
  - Kesici ek parça ile siperin arasına çim veya çalı takılırsa daima aleti kapatın ve taşınabilir güç ünitesini aletten ayırın. Aksi takdirde kesici ek parça kazara dönebilir ve ciddi yaralanmaya yol açabilir.**
  - Hareket halindeki tehlikeli parçalar tamamen durmadan ve taşınabilir güç ünitesi aletten ayrılmadan hareket halindeki tehlikeli parçalara asla dokunmayın.**
  - Kesici ek parçanın taş veya benzeri sert cisimlere çarpması halinde, aleti derhal kapatın. Daha sonra taşınabilir güç ünitesini aletten ayırın ve kesici ek parçayı kontrol edin.**
  - Çalışma sırasında kesici ek parçayı çatlaklara veya hasarlara karşı sık sık kontrol edin. Kontrol etmeden önce taşınabilir güç ünitesini aletten ayırın ve kesici ek parçanın tamamen durduğundan emin olun. Sadece yüzeysel çatlaklar olsa bile hasarlı kesici ek parçayı derhal değiştirin.**
  - Asla bel hizanızın üzerinde kesim yapmayın.**
  - Kesim işlemine başlamadan önce aleti açtıktan sonra kesici ek parçanın sabit bir hıza ulaşmasını bekleyin.**
  - Kesici bıçak kullanırken aleti, trıpan kullanırken olduğu gibi sağdan sola doğru yarım daire çizecek şekilde eşit olarak sallayın.**
  - Kesici bıçak gizli kablolarla temas edebileceği için, aleti sadece yalıtımlı kavrama yüzeylerinden tutun. Kesici bıçakların "akımlı" bir tele temas etmesi aletin yalıtımsız metal kısımlarını "akımlı"**

- hale getirebilir ve kullanıcıyı elektrik şokuna maruz bırakabilir.
- Kesici parçaya kesilen çim dolaştığında aleti çalıştırmayın.**
  - Aleti çalıştırmadan önce, kesici parçanın yere ve ağaç gibi diğer cisimlere değmediğinden emin olun.**
  - Kullanım sırasında aleti daima iki elinizle birden tutun. Kullanım sırasında aleti asla tek elinizle tutmayın.**
  - Yıldırım riski varken aleti kullanmayın.**
  - Aleti çamurlu zeminde, ıslak yamaçlarda veya kaygan yerlerde kullanırken dengeinize dikkat edin.**
  - Yüksek kullanıcı yorgunluğunun beklendiği kötü ortamlarda çalışmaktan kaçının.**
  - Aleti, görüşün sınırlı olduğu kötü havalarda kullanmayın. Aksi takdirde düşük görüş nedeniyle düşmeye veya hatalı çalışmaya neden olabilir.**
  - Aleti su birikintisine sokmayın.**
  - Aleti dışarıda yağmur altında gözetimsiz bırakmayın.**
  - Yağmurdan dolayı emme ağzına (havalandırma penceresi) ıslak yapraklar veya pislik yapışırsa bunları temizleyin.**
  - Aleti karda kullanmayın.**

## Kesici parçalar

- Makita tarafından önerilmeyen kesici parça kullanmayın.**
- Yapacağınız işe uygun kesici ek parça kullanın.**
  - Misinalı kesim başlıkları (misinalı yan trıpan başlıkları) ve plastik bıçaklar çim kesmek için uygundur.
  - Kesici bıçaklar otları, yüksek çimleri, çalılıkları, çalları, ağaç altlarını, sık çalılık ve benzerlerini kesmek için uygundur.
  - Metal çok parçalı döner zincirler ve çim biçme makinesi bıçakları dahil asla başka bıçaklar kullanmayın. Ciddi yaralanmaya neden olabilir.
- Sadece aletin üzerinde yazılı hıza eşit veya daha yüksek hıza sahip kesici parça kullanın.**
- Ellerinizi, yüzünüzü ve giysilerinizi dönen kesici parçadan daima uzak tutun. Aksi takdirde yaralanmaya sebep olabilir.**
- Mutlaka kullanılan kesici parçaya uygun kesici ek parça siperi kullanın.**
- Kesici bıçakları kullanırken "geri tepmeden" kaçınin ve kazara geri tepmeye karşı daima hazırlıklı olun. Geri tepme kısmına bakın.**
- Kullanılmadığında, bıçağa bıçak kapağını takın. Çalışmaya başlamadan önce kapağı çıkarın.**

## Geri tepme (Bıçak itmesi)

- Geri tepme (bıçak itmesi) sıkışan veya tutuklu yapan kesici bıçağa karşı ani bir tepkidir. Meydana geldiğinde alet sağa veya sola ya da operatöre doğru büyük bir güçle atılır ve ciddi yaralanmaya neden olabilir.**
- Geri tepme özellikle bıçak bölümünü, çapı 3 cm veya daha büyük olan sert cisimlere, çallara**

ve ağaçlara saat 12 ila 2 yönünde uygularken oluşur.

### ► Şek.2

3. Geri tepmeden sakınmak için:
  1. Bıçak bölümünü saat 8 ila 11 yönünde uygulayın.
  2. Bıçak bölümünü asla saat 12 ila 2 yönünde uygulamayın.
  3. Kullanıcı iyi eğitilmiş ve deneyimli değilse ve riski kendi üzerine alarak yapmadığı sürece bıçak bölümünü asla saat 11 ila 12 ve 2 ila 5 yönünde uygulamayın.
  4. Kesici bıçakları asla çit, duvar, ağaç gövdesi veya taş gibi sert cisimlere yakın kullanmayın.
  5. Kesici bıçakları asla, kenar düzeltme ve çit budama gibi işlemler için dikey olarak kullanmayın.

### ► Şek.3

## Titreşim

1. Dolaşım sistemi zayıf olan kişiler aşırı titreşime maruz kaldıklarında kan damarları veya sinir sistemine hasar oluşabilir. Titreşim parmaklarda, ellerde ve bileklerde şu semptomlara neden olabilir: "Uyuklama" (uyuşma), karıncalanma, ağrı, bıçak saplanıyor hissi, cilt renginde değişme. Bu semptomlardan herhangi biri ortaya çıkarsa, bir doktora görünün!
2. "Beyaz parmak hastalığı" riskini azaltmak için çalışma sırasında ellerinizi sıcak tutun ve alet ile aksesuarlara iyi bakın.

## Taşıma

1. Aleti taşımadan önce kapatın ve taşınabilir güç ünitesini aletten ayırın. Kapağı kesici bıçağa takın.
2. Aleti taşırken, saftı tutarak yatay konumda taşıyın.
3. Aleti bir araçta taşırken devrilmesini önlemek için düzgün bir şekilde sabitleyin. Aksi takdirde alet ve diğer eşyalar zarar görebilir.

## Bakım

1. Aletinize yetkili servis merkezimizce, daima yalnızca orijinal yedek parçalar kullanılarak servis yaptırın. Yanlış onarım ve kötü bakım aletin ömrünü kısaltabilir ve kaza riskini artırabilir.
2. Herhangi bir bakım veya tamir işlemi yapmadan ya da aleti temizlemeden önce daima aleti kapatın ve taşınabilir güç ünitesini aletten ayırın.
3. Kesici bıçakla uğraşırken daima koruyucu eldiven kullanın.
4. Aleti daima toz ve kire karşı temiz tutun. Bu iş için asla benzin, tiner, alkol ve benzeri maddeleri kullanmayın. Plastik parçalarda renk değişimi, deformasyon veya çatlaklar oluşabilir.
5. Her kullanımdan sonra tüm vidaları ve somunları sıkın.
6. Kullanma kılavuzunda anlatılmayan hiçbir bakım veya onarım işi yapmaya kalkışmayın. Bu tür işler için yetkili servis merkezimize

başvurun.

7. Daima ve sadece orijinal yedek parçalar ve aksesuarlarımızı kullanın. Üçüncü taraflarca kullanılan parça veya aksesuarların kullanımı aletin arızalanması, eşyaların hasar görmesi ve/veya ciddi yaralanmaya neden olabilir.
8. Yetkili servis merkezimizden düzenli aralıklarla aletin kontrol edilmesini ve bakımının yapılmasını isteyin.
9. Aleti her zaman iyi çalışır durumda tutun. Yetersiz bakım düşük performans neden olabilir ve aletin hizmet ömrünü kısaltabilir.
10. Aleti yüksek basınçlı su ile yıkamayın.
11. Aleti yıkarken motor ve terminaler gibi elektrik mekanizmasına su girmesine izin vermeyin.
12. Aleti depolarken doğrudan güneş ışığı ve yağmurdan sakının, ısınmayacak veya nemlenmeyecek bir yerde depolayın.
13. Kontrol veya bakımı, yağmurdan sakınılabilecek bir yerde yapın.
14. Aleti kullandıktan sonra yapışan pislikleri temizleyin ve depolamadan önce aleti tamamen kurutun. Mevsim veya bölgeye bağlı olarak donma kaynaklı arıza riski vardır.
15. Tüm soğutma hava girişlerini döküntülerden temiz tutun.

## Depolama

1. Aleti saklamadan önce, tam bir temizlik ve bakım yapın. Taşınabilir güç ünitesini aletten ayırın. Kapağı kesici bıçağa takın.
2. Aleti, çocukların ulaşamayacağı, kuru ve yüksek ya da kilitli bir yerde saklayın.
3. Aleti herhangi bir yere, örneğin duvara, dayamayın. Aksi takdirde aniden düşebilir ve yaralanmaya neden olabilir.

## İlk yardım

1. Yakında daima bir ilk yardım seti bulundurun. İlk yardım setinden alınan tüm malzemelerin yerini derhal doldurun.
2. Yardım isterken aşağıdaki bilgileri verin:
  - Kazanın yeri
  - Ne olduğu
  - Yaralı kişi sayısı
  - Yaralanma türü
  - Adınız

## Batarya kartuşu hakkında önemli güvenlik talimatları

1. Batarya kartuşunu kullanmadan önce, tüm talimatları ve (1) batarya kartuşu, (2) batarya ve (3) ürün üzerindeki tüm uyarı işaretlerini okuyun.
2. Batarya kartuşunu parçalarına ayırmayın veya kurcalamayın. Yangın, aşırı ısı veya patlamaya neden olabilir.
3. Çalışma süresi aşırı derecede kısalırsa kullanmayı derhal bırakın. Aşırı ısınma, yanma riski hatta patlamaya neden olabilir.
4. Gözünüze elektrolit kaçar, gözlerinizi temiz suyla durulayın ve hemen tıbbi yardım alın. Görme kaybına yol açabilir.

5. **Batarya kartuşuna kısa devre yaptırmayın:**
  - (1) Terminallere herhangi bir iletken madde deędirmeyin.
  - (2) Batarya kartuşunu çiviler, madeni paralar, vb. gibi başka metal nesnelere aynı kaba koymaktan kaçının.
  - (3) Batarya kartuşunu yağmura ya da suya maruz bırakmayın.

Kısa devre, büyük bir akım akışına, aşırı ısınmaya, olası yanıklara hatta bataryanın bozulmasına yol açabilir.

6. Aleti ve batarya kartuşunu sıcaklığın 50°C ya da daha yükseğe ulaştığı yerlerde saklamayın ve kullanmayın.
7. Aşırı derecede hasar görmüş ya da tamamen kullanılamaz durumda olsa bile batarya kartuşunu yakmayın. Batarya kartuşu ateşe atılırsa patlayabilir.
8. Batarya kartuşunu çivilememeyin, kesmeyin, ezmeyin, fırlatmayın, düşürmeyin ya da batarya kartuşuna sert bir nesne ile vurmayın. Bu eylemler yangın, aşırı ısı veya patlamaya neden olabilir.
9. **Hasarlı bataryayı kullanmayın.**
10. **Aletin içerdığı lityum-iyon bataryalar Tehlikeli Eşyalar Yönetmeliğinin gereksinimlerine tabidir.**

Ticari nakliye işlemleri için, örneğin üçüncü taraflar, nakliye acenteleri tarafından yapılan nakliyelerde, paketleme ve etiketleme gereksinimlerine uyulmalıdır.

Nakliyesi yapılacak ürünün hazırlanması için, tehlikeli maddeler konusunda uzman bir kişiye danışın. Lütfen muhtemelen daha ayrıntılı olan ulusal yönetmeliklere de uyun.

Açık kontakları bantlayın ya da maskeleyin ve bataryayı paketin içinde hareket etmeyecek şekilde paketleyin.
11. **Batarya kartuşunu bertaraf ederken aletten çıkarın ve güvenli bir yerde bertaraf edin. Bataryanın bertaraf edilmesi ile ilgili yerel düzenlemelere uyunuz.**
12. **Bataryaları sadece Makita tarafından belirtilen ürünlerle kullanın.** Bataryaların uyumsuz ürünlere takılması; yangın, aşırı ısınma, patlama ya da elektrolit sızıntısına neden olabilir.
13. **Alet uzun süre kullanılmıyacaksa batarya aletten çıkarılmalıdır.**
14. **Kullanma sırasında ve sonrasında batarya**

kartuşu ısınarak yanıklara veya düşük sıcaklık yanıklarına yol açabilir. Sıcak batarya kartuşları ile işlem yaparken dikkat edin.

15. **Yanıklara neden olabilecek kadar sıcak olabileceğinden kullandıktan hemen sonra aletin terminaline dokunmayın.**
16. **Batarya kartuşunun terminallerine, deliklerine ve kanallarına mıcır, toz veya toprak girmesine izin vermeyin.** Aletin veya batarya kartuşunun ısınmasına, alev almasına, patlamasına ve arızalanmasına neden olarak yanıklara veya yaralanmaya yol açabilir.
17. **Alet yüksek gerilim elektrik güç hatlarında kullanımı desteklemediği sürece batarya kartuşunu yüksek gerilim elektrik güç hatlarının yakınında kullanmayın.** Aletin veya batarya kartuşunun arızalanmasına veya bozulmasına neden olabilir.
18. **Bataryayı çocuklardan uzak tutun.**

## BU TALİMATLARI MUHAFAZA EDİNİZ.

**⚠DİKKAT:** Sadece orijinal Makita bataryalarını kullanın. Orijinal olmayan Makita bataryaları ya da üzerine değişiklik yapılmış bataryaların kullanımı bataryanın patlamasına ve sonuç olarak yangın, kişisel yaralanma ve hasara neden olabilir. Ayrıca Makita aleti ve şarj aletinin Makita tarafından sunulan garantisini geçersiz kılar.

## Maksimum batarya ömrü için ipuçları

1. **Batarya kartuşunu tamamen boşalmadan önce şarj edin. Aletin gücünün zayıflamaya başladığını fark ettiğinizde aleti durdurun ve batarya kartuşunu şarj edin.**
2. **Tam dolu bir batarya kartuşunu asla yeniden şarj etmeyin. Aşırı şarj etme bataryanın hizmet ömrünü kısaltır.**
3. **Batarya kartuşunu 10 °C - 40 °C oda sıcaklığında şarj edin. Sıcak bir batarya kartuşunu şarj etmeden önce soğumasını bekleyin.**
4. **Batarya kartuşunu kullanmıyorken aletten veya şarj aletinden çıkarın.**
5. **Uzun bir süre (altı aydan daha fazla) kullanmadığınız durumlarda batarya kartuşunu şarj edin.**

## PARÇALARIN TANIMI

### ► Şek.4

1	Hız göstergesi	2	ADT göstergesi (ADT = Automatic Torque Drive Technology (otomatik tork tahrik teknolojisi))	3	İkaz lambası	4	Ana güç düğmesi
5	Ters dönüş düğmesi	6	Fiş	7	Güvenlik kilidi kolu	8	Anahtar tetik
9	Askı	10	Kol	11	Bariyer	12	Topuz

13	Koruyucu	14	Koruyucu uzantısı (misinalı kesim başlığı / plastik bıçak için)	15	Askı kayışı	-	-
----	----------	----	-----------------------------------------------------------------	----	-------------	---	---

## İŞLEVSEL NİTELİKLER

**⚠UYARI:** Alet üzerinde ayarlama ya da işleyiş kontrolü yapmadan önce mutlaka aletin kapalı ve taşınabilir güç ünitesinin aletten ayrıldığından emin olun. Aletin kapatılmaması ve taşınabilir güç ünitesinin ayrılmaması aletin istemsiz olarak çalışması sonucu ciddi yaralanmalara neden olabilir.

### Alet/batarya koruma sistemi

Bu alet bir alet/batarya koruma sistemi ile donatılmıştır. Bu sistem motora giden gücü otomatik olarak keserek uzun alet ve batarya ömrü sağlar. Alet için aşağıdaki durumlardan biri söz konusu olduğunda aletin işleyişi otomatik olarak durur:

İkaz lambası			Durum
Renk	● Açık	● Yanıp sönmüyor	
Yeşil		●	Aşırı yüklenme
Kırmızı	● (alet) / ● (batarya)		Aşırı ısınma
Kırmızı		●	Aşırı boşaltma

### Aşırı yük koruması

Alet aşağıdaki durumlardan birine girerse alet otomatik olarak durur ve ikaz lambası yeşil renkte yanıp sönmeye başlar:

- Aletin, takılan yabancı otlar ya da diğer birikintiler nedeniyle aşırı yüklenmesi.
- Kesici parçanın sıkışması veya geri tepmesi.
- Anahtar tetik çekilirken ana güç düğmesinin açılması.

Bu durumda anahtar tetiği bırakın ve gerekirse takılan yabancı otları veya birikintileri çıkarın. Ondan sonra anahtar tetiği tekrar çekerek çalışmaya devam edin.

**⚠DİKKAT:** Alete takılan yabancı otları çıkarmanız veya sıkışan kesici parçayı kurtarmanız gerekirse başlamadan önce aleti mutlaka kapatın.

### Alet veya batarya için aşırı ısınma koruması

Alet veya batarya kartuşu aşırı ısınır alet otomatik olarak durur. Alet aşırı ısındığında ikaz lambası kırmızı yanar. Batarya kartuşu aşırı ısındığında ikaz lambası kırmızı yanıp söner. Aleti yeniden çalıştırmadan önce aletin ve/veya bataryanın soğumasını sağlayın.

### Aşırı deşarj koruması

Batarya kapasitesi azaldığında alet otomatik olarak durur ve ikaz lambası kırmızı renkte yanıp sönmeye başlar.

Anahtarlar kullanıldığında bile alet çalışmazsa batarya kartuşunu aletten çıkarıp şarj edin.

### Ana güç anahtarı

Aleti açmak için ana güç düğmesine basın. Aleti kapatmak için ana güç düğmesine basın ve hız göstergesi sönene dek basılı tutun.

► **Şek.5:** 1. Hız göstergesi 2. Ana güç düğmesi

**NOT:** Alet belirli bir süre işlem yapılmadan bırakılırsa otomatik olarak kapanır.

### Anahtar işleme

**⚠UYARI:** Güvenliğiniz için, bu alet istem dışı başlatmayı önlemek için bir güvenlik kilidi kolu ile donatılmıştır. Güvenlik kilidi koluna basmadan sadece anahtar tetik çekildiğinde çalışan bir aleti ASLA kullanmayın. Daha fazla kullanmadan ÖNCE doğru bir şekilde tamir ettirmek için aleti yetkili servis merkezimize götürün.

**⚠UYARI:** Güvenlik kilidi kolunu ASLA bantlama-  
yan veya amacını ve işlevini engelleyecek şekilde devre dışı bırakmayın.

**⚠DİKKAT:** Taşınabilir güç ünitesini alete bağla-  
madan önce, anahtar tetiğin düzgün çalıştığından  
ve bırakıldığında "OFF" (KAPALI) pozisyona  
döndüğünden emin olun. Anahtarı düzgün bir  
şekilde çalışmayan bir aletle işlem yapmak kontrolün  
kaybedilmesine ve ciddi kişisel yaralanmalara neden  
olabilir.

**⚠DİKKAT:** Aleti taşırken parmağınızı asla ana  
güç düğmesi ve anahtar tetiğin üzerine koymayın.  
Alet kazara çalışabilir ve yaralanmalara neden olabilir.

**ÖNEMLİ NOT:** Güvenlik kilidi koluna bastırma-  
dan anahtar tetiği zorlayarak çekmeyin. Bu, anahtarı  
kırılmasına neden olabilir.

Anahtar tetiğin kaza sonucu çekilmesini önlemek için, bir güvenlik kilidi kolu sunulmuştur. Aleti başlatmak için, güvenlik kilidi koluna bastırın ve anahtar tetiği çekin. Aletin hızı, anahtar tetiğe uygulanan baskı arttırılarak artar. Durdurmak için anahtar tetiği bırakın.

UR101C

► **Şek.6:** 1. Güvenlik kilidi kolu 2. Anahtar tetik



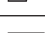


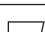



UR201C

► **Şek.7:** 1. Güvenlik kilidi kolu 2. Anahtar tetik

### Hız ayarlama

Ana güç düğmesine dokunarak alet hızını seçebilirsiniz. Ana güç düğmesine her dokunuşunuzda, hız seviyesi değişir. Alet, alete takılı olan kesici parçaya göre dönüş hızını otomatik olarak ayarlar.

► **Şek.8:** 1. Hız göstergesi 2. Ana güç düğmesi


Hız göstergesi	Mod	Dönüş hızı	
		Kesici bıçak Plastik bıçak (305 mm)	Misinalı kesim başlığı Plastik bıçak (255 mm)
3  2  1 	Yüksek	0 - 7.000 min <sup>-1</sup>	0 - 5.500 min <sup>-1</sup>
3  2  1 	Orta	0 - 5.500 min <sup>-1</sup>	0 - 5.000 min <sup>-1</sup>
3  2  1 	Düşük	0 - 4.600 min <sup>-1</sup>	0 - 4.600 min <sup>-1</sup>

## Otomatik tork tahrik teknolojisi

Otomatik tork tahrik teknolojisini (ADT) açtığınızda alet, kesilen çimin durumuna göre optimum dönüş hızı ve torkta çalışır. Alet, takılı kesici parçayı otomatik olarak algılar ve uygun bir dönüş hızı seçer.

ADT'yi başlatmak için ters dönüş düğmesine basın ve ADT göstergesi yanana dek basılı tutun. ADT'yi durdurmak için ters dönüş düğmesine basın ve ADT göstergesi sönene dek basılı tutun.

► **Şek.9:** 1. ADT göstergesi 2. Ters dönüş düğmesi

Gösterge	Mod	Kesici parça	Dönüş hızı
	ADT	Kesici bıçak Plastik bıçak (305 mm)	3.500 - 7.000 min <sup>-1</sup>
		Misinalı kesim başlığı Plastik bıçak (255 mm)	3.500 - 5.500 min <sup>-1</sup>

## Birikintilerin giderilmesi için ters dönüş düğmesi

**⚠UYARI:** Alete takılan ve ters dönüş işleviyle giderilemeyen yabancı otları veya birikintileri gidermek için aleti kapatın ve taşınabilir güç ünitesini aletten ayırın. Aksi takdirde aletin istemsiz olarak çalışması sonucu ciddi yaralanmalara neden olabilir.

Bu makinenin dönme yönünü değiştirmek için ters dönüş düğmesi vardır. Bu düğme sadece alete takılan yabancı otları ve birikintileri gidermek için kullanılır. Dönüşü tersine çevirmek için, ters dönüş düğmesine basın ve kesici parça durduğunda güvenlik kilidi koluna bastırarak anahtar tetiği çekin. Hız göstergeleri ve ADT göstergesi yanıp sönmeye başlar ve anahtar tetiği çektiğinizde kesici parça ters yönde döner. Normal dönüşe geri dönmek için, anahtar tetiği bırakın ve kesici parça durana kadar bekleyin.

► **Şek.10:** 1. Hız göstergesi 2. ADT göstergesi 3. Ters dönüş düğmesi

**NOT:** Ters dönüş sırasında, alet sadece kısa bir süre için çalışır ve ardından otomatik olarak durur.

**NOT:** Alet durduktan sonra tekrar başlatıldığında dönüş normal yönde devam eder.

**NOT:** Kesici parça dönmeye devam ederken ters dönüş düğmesine basarsanız alet durur ve ters dönüşe hazır olur.

## Elektrikli fren

Bu alet bir elektrikli fren ile donatılmıştır. Anahtar tetik bırakıldıktan sonra alet sürekli olarak çabucak durmuyorsa alete servis merkezimizde bakım yaptırın.

**⚠DİKKAT:** Bu fren sistemi, koruyucunun yerine geçmez. Aleti asla koruyucu olmadan kullanmayın. Koruyucusuz kesici parça, ciddi yaralanmaya neden olabilir.

## Elektronik fonksiyon

### Sabit hız kontrolü

Hız kontrol fonksiyonu, yük koşullarından bağımsız olarak sabit devir hızı sağlar.

### Yumuşak başlatma özelliği

Başlatma sırasında oluşan sarsıntıya karşı yumuşak başlatma özelliği.

## MONTAJ

**⚠UYARI:** Alet üzerinde herhangi bir iş yapmadan önce mutlaka aletin kapalı ve taşınabilir güç ünitesinin aletten ayrıldığından emin olun. Aletin kapatılmaması ve taşınabilir güç ünitesinin ayrılması aletin istemsiz olarak çalışması sonucu ciddi yaralanmalara neden olabilir.

**⚠UYARI:** Tüm parçaları birleştirilmeden asla aleti başlatmayın. Parçalar kısmen birleştirilmiş haldeyken aletle çalışmak, aletin istemsiz olarak başlatılması sonucu ciddi kişisel yaralanmalara neden olabilir.

## Kolun takılması

### UR101C için

1. Kol şaftını sapa yerleştirin. Saptaki vida deliği ile şafttaki vida deliğini aynı hizaya getirin. Vidayı sağlam şekilde sıkın.

► **Şek.11:** 1. Sap 2. Vida 3. Şaft

**ÖNEMLİ NOT:** Sapın yönüne dikkat edin. Sap doğru yönde takılmazsa vida delikleri hizalı olmaz.

2. Yayı tabana yerleştirin.

► **Şek.12:** 1. Topuz 2. Kol kelepçesi 3. Kol 4. Kol yuvası 5. Yay 6. Taban

3. Kolu, kol kelepçesi ile kol yuvası arasına

yerleştirin.

4. Topuzu sıkarak kolu geçici olarak takın ve kol konumunu ayarlayın.

5. Topuzu sonuna kadar sıkın.

#### UR201C için

1. Üst ve alt kelepçeleri sönmüleyiciye takın.

2. Kolu üst kelepçenin üzerine yerleştirin ve şekilde gösterildiği gibi altıgen başlı cıvata ile sabitleyin.

► **Şek.13:** 1. Altıgen başlı cıvata 2. Kol 3. Üst kelepçe 4. Sönmüleyici 5. Alt kelepçe

## Bariyerin takılması

### Sadece yuvarlak kollu model için (ülkeye özgü)

Modelinizde bariyer varsa bariyer üzerindeki vidayı kullanarak kola monte edin.

► **Şek.14:** 1. Bariyer 2. Vida

**⚠DİKKAT:** Bariyeri monte ettikten sonra çıkarmayın. Bariyer, kesici bıçağa kazara dokunmanızı engellemek için bir güvenlik parçası olarak çalışır.

## Altıgen anahtarın saklanması

**⚠DİKKAT:** Altıgen anahtar aletin kafasına takılı halde bırakılmamaya dikkat edin. Yaralanmaya neden olabilir ve/veya alete zarar gelebilir.

Kullanılmadığı zamanlarda, altıgen anahtarın kaybolmasını önlemek için şekilde gösterildiği gibi saklayın.

► **Şek.15:** 1. Altıgen anahtar

Gidonlu model için altıgen anahtar şekilde gösterildiği gibi kol kelepçesinde saklanabilir.


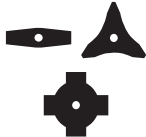
► **Şek.16:** 1. Altıgen anahtar 2. Kol kelepçesi

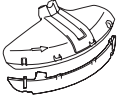

Yuvarlak kollu model için altıgen anahtar şekilde gösterildiği gibi kolda saklanabilir.

► **Şek.17:** 1. Altıgen anahtar

## Kesici parça ve koruyucunun doğru kombinasyonu

**⚠DİKKAT:** Daima doğru kesici parça ve koruyucu kombinasyonunu kullanın. Hatalı kombinasyon sizi kesici parçadan, fırlayan çöplerden ve taşlardan koruyamayabilir. Aletin dengesini de etkileyebilir ve yaralanmaya yol açabilir.

Kesici parça	Koruyucu
Kesici bıçak (2 dişli, 3 dişli, 4 dişli bıçaklar)	
	

Kesici parça	Koruyucu
Misinalı kesim başlığı	
Plastik bıçak	

## Koruyucunun takılması

**⚠UYARI:** Aleti sipersiz veya siper hatalı takılmış şekilde asla kullanmayın. Aleti koruyucu olmadan kullanmak ciddi kişisel yaralanmalara sebep olabilir.

**NOT:** Standart aksesuar olarak verilen koruyucunun türü, ülkelere göre değişir.

## Kesici bıçak için

Koruyucuyu cıvataları kullanarak klempe monte edin.

► **Şek.18:** 1. Klempe 2. Koruyucu

## Misinalı kesim başlığı / plastik bıçak için

**⚠DİKKAT:** Misinalı kesim başlığı için kullanılan kesiciyle kendinizi yaralamamaya dikkat edin.

Koruyucuyu cıvataları kullanarak klempe monte edin. Ondan sonra koruyucu uzantısını monte edin. Koruyucu uzantısını koruyucuya takın ve daha sonra klipsleri geçirin. Koruyucu uzantısı üzerindeki tırnakların koruyucu üzerindeki yuvalara oturduğundan emin olun.

► **Şek.19:** 1. Koruyucu 2. Klips 3. Koruyucu uzantısı 4. Kesici 5. Yuva 6. Tırnak

Koruyucu uzantısını koruyucudan sökmek için altıgen anahtar şeklinde gösterildiği gibi sokarak klipsleri açın.

► **Şek.20:** 1. Altıgen anahtar 2. Klips

## Kesici parçanın takılması

**⚠DİKKAT:** Kesici parçayı sökmek veya takmak için daima ürünle verilen anahtarları kullanın.

**⚠DİKKAT:** Kesici parçayı taktıktan sonra aletin kafasına takılı altıgen anahtarları mutlaka çıkarın.

**NOT:** Standart aksesuar olarak verilen kesici parça(-lar)nın türü, ülkelere göre değişir. Kesici parça bazı ülkelerde ürünle verilmaz.

**NOT:** Kesici parça kolay bir şekilde değiştirebilmek için aleti baş aşağı çevirin.

## Kesici bıçak

**⚠DİKKAT:** Kesici bıçakla işlem yaparken daima eldiven giyin ve bıçak kapağını bıçağın üzerine takın.

**⚠DİKKAT:** Kesici bıçak iyi taşlanmış olmalı, üzerinde çatlak veya kırık bulunmamalıdır. Kesici bıçak çalışma sırasında bir taşla çarparsa hemen aleti durdurun ve kesici bıçağı kontrol edin.

**⚠DİKKAT:** Her zaman teknik özellikler kısmında tanımlanan çapta kesici bıçak kullanın.

1. Bıçak kapağını kesici bıçağın üzerine yerleştirin.

2 dişli bıçak

► Şek.21

3 dişli bıçak

► Şek.22

4 dişli bıçak

► Şek.23

2. Mili sabitlemek için altıgen anahtarı dişli kutusundaki deliğe sokun. Altıgen anahtar sonuna kadar sokulana dek mili döndürün.

► Şek.24: 1. Somun 2. Kap 3. Sıkma pulu 4. Kesici bıçak 5. Mil 6. Alıcı pul 7. Altıgen anahtar

3. Kesici bıçağı alıcı pula, kesici bıçak ile koruyucu üzerindeki oklar aynı yönü gösterecek şekilde monte edin.

► Şek.25: 1. Ok

4. Sıkma pulunu ve kabı kesici bıçağın üzerine yerleştirin ve daha sonra somunu lokma anahtarı ile iyice sıkın.

► Şek.26: 1. Lokma anahtarı 2. Altıgen anahtar 3. Gevşetin 4. Sıkın

**NOT:** Sıkma torqu: 20 - 30 N\*m

5. Altıgen anahtarı dişli kutusundan çıkarın.

Kesici bıçağı çıkarmak için takma prosedürünü tersinden takip edin.

## Misinalı kesim başlığı

**ÖNEMLİ NOT:** Orijinal Makita misinalı kesim başlığı kullandığınızdan emin olun.

Misinalı kesim başlığının iki türü vardır; çarpmalı besleme türü ve manüel besleme türü.

**Çarpmalı besleme türü**

► Şek.27: 1. Misinalı kesim başlığı 2. Mil 3. Altıgen anahtar 4. Gevşetin 5. Sıkın

1. Mili sabitlemek için altıgen anahtarı dişli kutusundaki deliğe sokun. Altıgen anahtar sonuna kadar sokulana dek mili döndürün.

2. Misinalı kesim başlığını milin üzerine yerleştirin ve elle iyice sıkın.

3. Altıgen anahtarı dişli kutusundan çıkarın.

Misinalı kesim başlığını çıkarmak için takma prosedürünü tersinden takip edin.

**Manüel besleme türü**

► Şek.28: 1. Somun 2. Misinalı kesim başlığı 3. Mil

## 4. Altıgen anahtar

1. Mili sabitlemek için altıgen anahtarı dişli kutusundaki deliğe sokun. Altıgen anahtar sonuna kadar sokulana dek mili döndürün.

2. Misinalı kesim başlığını milin üzerine yerleştirin ve somunu lokma anahtarıyla iyice sıkın.

► Şek.29: 1. Lokma anahtarı 2. Altıgen anahtar 3. Gevşetin 4. Sıkın

3. Altıgen anahtarı dişli kutusundan çıkarın.

Misinalı kesim başlığını çıkarmak için takma prosedürünü tersinden takip edin.

## Plastik bıçak

**ÖNEMLİ NOT:** Orijinal Makita plastik bıçak kullandığınızdan emin olun.

► Şek.30: 1. Plastik bıçak 2. Mil 3. Altıgen anahtar 4. Gevşetin 5. Sıkın

1. Mili sabitlemek için altıgen anahtarı dişli kutusundaki deliğe sokun. Altıgen anahtar sonuna kadar sokulana dek mili döndürün.

2. Plastik bıçağı milin üzerine yerleştirin ve elle iyice sıkın.

3. Altıgen anahtarı dişli kutusundan çıkarın.

Plastik bıçağı çıkarmak için takma prosedürünü tersinden takip edin.

## KULLANIM

### Çalışma konumunun ayarlanması

**⚠DİKKAT:** Bu işlemi yapmadan önce batarya kartuşunu/kartuşlarını taşınabilir güç ünitesine takın ve bel kemeri ile omuz askısının ayarlamalarını tamamlayın. Daha fazla bilgi için taşınabilir güç ünitesi kullanma kılavuzuna bakın.

**⚠DİKKAT:** İstemsiz çalışmayı önlemek için bu işlem süresince taşınabilir güç ünitesini asla açmayın. Batarya kartuşu/kartuşları yalnızca fiili ağırlık dengesi ile kullanılabilirliği elde etmek için takılacaktır.

**⚠DİKKAT:** Aleti taşınabilir güç ünitesi gibi sırt çantası tipi güç kaynağı ile birlikte kullanırken alet paketinde verilen askı kayışını veya Makita tarafından önerilen askı kayışını kullanın.

Makita tarafından önerilmeyen omuz kayışını ve sırt çantası tipi güç kaynağının omuz kayışını aynı anda takarsanız acil bir durumda alet veya sırt çantası tipi güç kaynağının çıkarılması zor olur ve kaza veya yaralanmaya neden olabilir. Önerilen askı kayışı için Makita Yetkili Servis Merkezlerine başvurun.

1. Kablo taşınabilir güç ünitesinin sağ tarafından dışarı çıkarın. Kabloyu dışarı çıkarırken kabloyu şekilde gösterildiği gibi tutuculara oturtduğunuzdan emin olun.

► Şek.31: 1. Kablo 2. Tutucu

2. Askı kayışının kancalarını omuz kemerlerinin veya bel koşumunun halkalarına şekilde gösterildiği gibi



takin.

#### Askı kayışının omuz kemerine takılması

► **Şek.32:** 1. Askı kayışı 2. Halka 3. Kanca

#### Askı kayışının omuz kemerine ve bel koşumuna takılması

► **Şek.33:** 1. Askı kayışı 2. Halka 3. Kanca

3. Taşınabilir güç ünitesinin omuz askısını takın ve bel kemeri üzerindeki tokayı kilitleyin.

► **Şek.34**

Askı kayışının uzunluğunu gerektiği gibi ayarlayın.

► **Şek.35**

4. Aleti, askı kayışının üzerindeki kancayı kullanarak omuz askısına takın. Mutlaka aletin askısına kancayı takın.

#### UR101C

► **Şek.36:** 1. Kanca 2. Askı

#### UR201C

► **Şek.37:** 1. Kanca 2. Askı

5. Aletin fişini taşınabilir güç ünitesinin prizine takın. Takarken hem fiş hem de priz üzerinde üçgen işareti hizalayın.

#### UR101C

► **Şek.38:** 1. Fiş 2. Priz 3. Üçgen işareti

#### UR201C

► **Şek.39:** 1. Fiş 2. Priz 3. Üçgen işareti

6. Kablo uzunluğunu tutucuyu kullanarak gerektiği gibi ayarlayın.

► **Şek.40:** 1. Tutucu

Kablo uzunluğu şunları yapabiliyorsanız uygun ayarlanmıştır;

— aleti, kablo hiçbir engel çıkarmayacak şekilde sallama;

— aleti, kablondan düşmesine izin vermeden sallama;

— taşınabilir güç ünitesinin omuz askısını çıkarmadan fişi prizden çıkarma.

**⚠DİKKAT:** Kablondan alet ile taşınabilir güç ünitesi arasında uygun bir oynama payına sahip olmasını sağlayın. Oynama payı çok azsa aletin hareketi engellenebilir. Oynama payı çok fazla ise kablo başka nesnelere takılabilir ve kazaya yol açabilir.

## Askı konumunun ayarlanması

#### Sadece UR101C için

Aleti daha rahat kullanmak için askı konumunu değiştirebilirsiniz.

1. Askı üzerindeki vidayı gevşetin ve rahat bir çalışma konumuna kaydırın.

► **Şek.41:** 1. Askı 2. Vida 3. Kablo

**ÖNEMLİ NOT:** Askı konumunu ayarlarken kablo konumunu da ayarlayın.

2. Askı konumunu şekilde gösterildiği gibi ayarlayın ve ardından vidayı sıkın.

## ► Şek.42

1	Yerden askı konumu
2	Yerden kesici parça konumu
3	Askı ile kesici parçanın sipersiz kısmı arasındaki yatay mesafe

## Çalışmanın başlatılması

**⚠DİKKAT:** Çalıştırmadan önce çalışma konumu kısmında verilen talimatları izleyerek çalışma konumunu ayarlamayı bitirin.

**⚠DİKKAT:** Çalıştırmadan önce bel kemerindeki tokaların kilitli olduğundan ve aletin askı kayışının kancasına sıkıca takıldığından emin olun.

**⚠DİKKAT:** Aleti açmak için ana güç düğmesine her zaman çim biçmeden hemen önce basın. Aksi takdirde istemsiz çalışma sonucu yaralanmaya neden olabilir.

1. Batarya kartuşunu/kartuşlarını taşınabilir güç ünitesine takın.

► **Şek.43:** 1. Taşınabilir güç ünitesi 2. Batarya kartuşu

**NOT:** Batarya kartuşlarının takılması ile ilgili bilgi için taşınabilir güç ünitenizin kullanma kılavuzuna bakın.

2. Taşınabilir güç ünitesinin güç düğmesine basın. Ana güç lambası yanar.

► **Şek.44:** 1. Ana güç lambası 2. Güç düğmesi

3. Taşınabilir güç ünitesinin omuz askısını takın ve bel kemeri üzerindeki tokayı kilitleyin.

► **Şek.45**

4. Aleti, askı kayışının üzerindeki kancayı kullanarak omuz askısına takın. Mutlaka aletin askısına kancayı takın.

#### UR101C

► **Şek.46:** 1. Kanca 2. Askı

#### UR201C

► **Şek.47:** 1. Kanca 2. Askı

5. Aletin fişini taşınabilir güç ünitesinin prizine takın. Takarken hem fiş hem de priz üzerinde üçgen işareti hizalayın.

#### UR101C

► **Şek.48:** 1. Fiş 2. Priz 3. Üçgen işareti

#### UR201C

► **Şek.49:** 1. Fiş 2. Priz 3. Üçgen işareti

6. Aleti açmak için ana güç düğmesine basın.

Alet çalışmaya hazırdır. Alet, anahtar tetiği çektiğinizde çalışır.

► **Şek.50:** 1. Ana güç düğmesi

**⚠DİKKAT:** Çalışmaya ara verirken daima aleti kapatın ve fişi prizden çıkarın. Aksi takdirde istemsiz çalışma sonucu yaralanmaya neden olabilir.

Çalışmayı bırakırken ana güç düğmesine basın ve hız göstergesi sönene dek basılı tutun ve ardından yukarıdaki işlemi tersinden uygulayın.

## Aletin doğru tutulması

**UYARI:** Aleti daima sağ tarafınızda tutun. Aleti doğru konumlandırmak maksimum kontrol sağlar ve geri tepmeden kaynaklanan ciddi kişisel yaralanma tehlikesini azaltır.

**UYARI:** Aletin kontrolünün her zaman sizde olması için son derece dikkatli olun. Aletin, size veya çalıştığınız çevredeki herhangi birine doğru dönmeye izin vermeyin. Aleti kontrol altında tutmamak çevredükilerin ve kullanıcının ciddi bir şekilde yaralanmasına neden olabilir.

**UYARI:** Kazayı önlemek için, bir alanda iki veya daha fazla operatör çalışırken operatörler arasında en az 15 m mesafe bırakın. Ayrıca, bir kişiyi operatörler arasındaki mesafeyi gözlemlemekle görevlendirin. Çalışma alanına bir kişi ya da hayvan girerse çalışmayı derhal durdurun.

**DİKKAT:** Kesici parça, çalışma sırasında kazara bir kayaya ya da sert bir nesneye çarparsa aleti durdurun ve hasar olup olmadığını kontrol edin. Kesici parça hasar görmüşse hemen değiştirin. Hasarlı kesici parça kullanmak ciddi yaralanmaya neden olabilir.

**DİKKAT:** Çim keserken bıçak kapağını kesici bıçaktan çıkarın.

Doğru konumlandırma ve tutma, ideal kontrol sağlar ve geri tepmeden kaynaklanan yaralanma riskini azaltır.

UR101C

► Şek.51

UR201C

► Şek.52

**Misinalı kesim başlığı (çarpmalı besleme türü) kullanırken**

Misinalı kesim başlığı, çarpmalı besleme mekanizmasına sahip çift misinalı bir tırpan başlığıdır. Misinayı dışa doğru uzatmak için, kesim başlığı dönmekteyken başlığı yere vurun.

► Şek.53: 1. En etkin kesim alanı

**ÖNEMLİ NOT:** Misinalı kesim başlığı dönmüyorsa, çarpmalı besleme düzgün çalışmayacaktır.

**NOT:** Eğer misina, kesim başlığını yere vururken dışa doğru uzamıyorsa, bakım kısmındaki prosedürleri izleyerek misinayı tekrar sarın ya da yenisiyle değiştirin.

## Acil çıkarma

**DİKKAT:** Acil çıkarma durumunda dönen kesici parçanın konumuna daha fazla dikkat edin.

Acil durumda aleti aşağıda anlatılan iki yoldan birini kullanarak çıkarın:

Bel kemerindeki tokayı açın ve alete bağlı taşınabilir güç ünitesinin omuz askısını çıkarın.

► Şek.54: 1. Toka

Askı kayışının üzerindeki tokayı açın ve aleti bırakın.

Kablo, aletin ağırlığı ile ayrılacaktır.

► Şek.55: 1. Toka

## BAKIM

**UYARI:** Alet üzerinde kontrol veya bakım yapmaya kalkışmadan önce mutlaka aletin kapalı ve taşınabilir güç ünitesinin aletten ayrıldığından emin olun. Aletin kapatılmaması ve taşınabilir güç ünitesinin ayrılması aletin istemsiz olarak çalışması sonucu ciddi yaralanmalara neden olabilir.

**ÖNEMLİ NOT:** Benzin, tiner, alkol ve benzeri maddeleri kesinlikle kullanmayın. Renk değişimi, deformasyon veya çatlaklar oluşabilir.

Aleti EMNİYETLİ ve ÇALIŞMAYA HAZIR durumda tutmak için onarımlar, başka her türlü bakım ve ayarlamalar daima Makita yedek parçaları kullanılarak Makita yetkili servis merkezleri veya Fabrikanın Servis Merkezleri tarafından yapılmalıdır.

## Aletin temizlenmesi

Aleti, kuru bir bez veya sabunlu suya batırılıp sıkılmış bir bezle toz, kir veya kesilen çimlerle silerek temizleyin. Aletin aşırı ısınmasını engellemek için aletin hava deliğine yapışan kesilen çim veya döküntüleri mutlaka temizleyin.

## Misinanın değiştirilmesi

**UYARI:** Sadece bu kullanma kılavuzunda belirtilen çapta misina kullanın. Asla daha ağır sicim, metal tel, ip ya da benzerini kullanmayın. Aksi takdirde aletin hasar görmesine neden olabilir ve ciddi yaralanmalara yol açabilir.

**UYARI:** Misinayı değiştirirken misinalı kesim başlığını aletten mutlaka çıkarın.

**UYARI:** Misinalı kesim başlığı kapağının bu kullanma kılavuzunda açıklandığı gibi gövdeye doğru şekilde sabitlendiğinden emin olun. Kapağın sağlam şekilde takılmaması, misinalı kesim başlığının çıkarak ciddi yaralanmalara yol açmasına neden olabilir.

Daha fazla beslenmiyorsa misinayı değiştirin. Misina değiştirme yöntemi misinalı kesim başlığı türüne göre değişir.

95-M10L

► Şek.56

96-M10L

► Şek.57

98-M10L

► Şek.58

B&F ECO 4L

► Şek.59

## Manüel besleme türü

Misina kısaltıldığında delikten çekin ve öbür delikten besleyin.

► Şek.61

## Plastik bıçağın değiştirilmesi

Plastik bıçak aşınır veya kırılırsa yenisiyle değiştirin.

► Şek.62

Plastik bıçağı takarken, bıçak üzerindeki okun yönünü koruyucununki ile aynı hizaya getirin.

► Şek.63: 1. Koruyucu üzerindeki ok 2. Bıçak üzerindeki ok

## SORUN GİDERME

Onarım için servise gitmeden önce kontrolleri yapın. Kılavuzda açıklanmayan bir problemle karşılaşırsanız aleti demonte etmeyin. Bunun yerine, Makita Yetkili Servis Merkezlerine başvurun ve daima orijinal Makita yedek parçaları kullanın.

Anormal durum	Olası nedeni (arıza)	Çözümü
Motor çalışmıyor.	Batarya kartuşu takılı değil.	Batarya kartuşunu takın.
	Batarya sorunu (voltaj yetersiz)	Batarya kartuşunu şarj edin. Şarj etmek işe yararmıyorsa, batarya kartuşunu değiştirin.
	Sürüş sistemi doğru işlemiyor.	Yerel yetkili servis merkezinizden tamir etmelerini isteyin.
Kısa bir kullanımdan sonra motor duruyor.	Bataryanın şarj seviyesi düşük.	Batarya kartuşunu şarj edin. Şarj etmek işe yararmıyorsa, batarya kartuşunu değiştirin.
	Aşırı ısınma.	Aleti kullanmayı durdurun ve soğumasını bekleyin.
Alet maksimum dev/dak oranına ulaşmıyor.	Batarya kartuşu düzgün takılmamış.	Batarya kartuşunu bu kılavuzda açıklandığı gibi takın.
	Batarya gücü düşüyor.	Batarya kartuşunu şarj edin. Şarj etmek işe yararmıyorsa, batarya kartuşunu değiştirin.
	Sürüş sistemi doğru işlemiyor.	Yerel yetkili servis merkezinizden tamir etmelerini isteyin.
Kesici parça dönmüyor: ⇒ makineyi hemen durdurun!	Siper ve kesici parça arasına yabancı bir cisim, örneğin bir dal parçası takılmış.	Yabancı cismi çıkarın.
	Kesici parça gevşek takılmış.	Kesici parçayı iyice sıkın.
	Sürüş sistemi doğru işlemiyor.	Yerel yetkili servis merkezinizden tamir etmelerini isteyin.
Olağan dışı titreşim: ⇒ makineyi hemen durdurun!	Kesici parça kırılmış, eğilmiş veya aşınmıştır	Kesici parçayı değiştirin.
	Kesici parça gevşek takılmış.	Kesici parçayı iyice sıkın.
	Sürüş sistemi doğru işlemiyor.	Yerel yetkili servis merkezinizden tamir etmelerini isteyin.
Kesici parça ve motor durmuyor: ⇒ Taşınabilir güç ünitesini aletten derhal ayırın!	Elektriksel veya elektronik arıza.	Taşınabilir güç ünitesini aletten ayırın ve yerel yetkili servis merkezinizden tamir etmelerini isteyin.

## İSTEĞE BAĞLI AKSESUARLAR

**⚠UYARI:** Sadece bu kılavuzda belirtilmiş olan tavsiye edilen aksesuarları veya ek parçaları kullanın. Başka aksesuar veya ek parça kullanımı ciddi yaralanmalara yol açabilir.

**⚠DİKKAT:** Bu aksesuarlar ve ek parçalar bu el kitabında belirtilen Makita aletiniz ile kullanılmak için tavsiye edilmektedir. Herhangi başka bir aksesuar ya da ek parça kullanılması insanlar için bir yaralanma riski getirebilir. Aksesuarları ya da ek parçaları yalnızca belirtilmiş olan kullanım amaçlarına uygun olarak kullanın.

Bu aksesuarlarla ilgili daha fazla bilgiye ihtiyaç duyarsanız bulunduğunuz yerdeki yetkili Makita servisine başvurun.

- Kesici bıçak
- Misinalı kesim başlığı

- Misina (kesici ip)
- Plastik bıçak
- Koruyucu
- Orijinal Makita batarya ve şarj aleti

**NOT:** Listedeki parçaların bazıları alet paketi içerisinde standart aksesuar olarak dahil edilmiş olabilir. Bunlar ülkeden ülkeye farklılık gösterebilir.

# Makita Europe N.V.

Jan-Baptist Vinkstraat 2, 3070 Kortenberg, Belgium

# Makita Corporation

3-11-8, Sumiyoshi-cho, Anjo, Aichi 446-8502 Japan

[www.makita.com](http://www.makita.com)



885763C994  
EN, FR, DE, IT, NL,  
ES, PT, EL, TR  
20240514