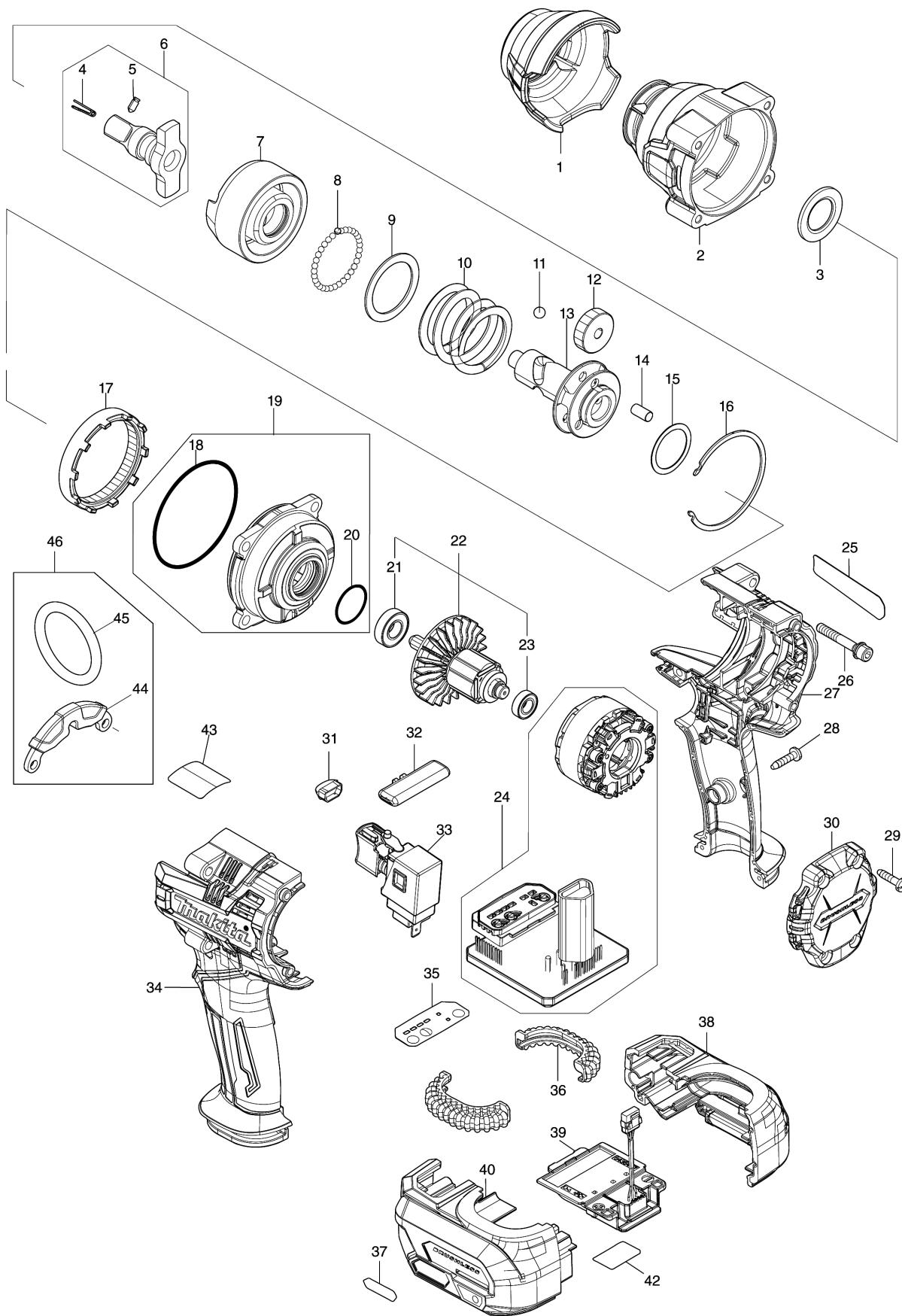


Model No.TW008G CORDLESS IMPACT WRENCH



Model No.TW008G CORDLESS IMPACT WRENCH

Position	Référence pièce	Description	Echange	QTE	New/Old	Option 1	Option 2	COMMENTAIRE
001	422709-8	BUMPER		1				
002	141A99-3	HAMMER CASE COMPLETE		1				
003	253481-9	FLAT WASHER 20		1				
004	322045-1	RESSORT		1		65	P2	
005	323675-1	GOUPILLE 4		1		1	P1	
006	136411-4	ANVIL A ASSY		1				
D10		INC. 4,5						
007	327804-8	HAMMER		1				
008	216001-0	BILLE ACIER 3.5		33		0	P1	
009	267340-1	RONDELLE PLATE 32		1		65	P2	
010	232708-0	COMPRESSION SPRING 34		1				
011	216007-8	BILLE ACIER 6.4		2		0	P1	
012	227891-6	SPUR GEAR 28		3				
013	327805-6	SPINDLE		1				
014	256211-7	AXE 6		3		0	P1	
015	267494-4	RONDELLE PLATE 25		1	*		P99	
015-1	267127-1	RONDELLE PLATE 26	O	1		65	P2	
016	347832-7	RETAINER		1				
017	227892-4	INTERNAL SPUR GEAR 65		1				
018	213709-7	O RING 63		1		0	P3	
019	136420-3	INTERNAL GEAR CASE ASSY		1				
D10		INC. 18,20						
020	213961-7	O RING 22		1		0	P1	
021	210069-8	ROULEMENT A BILLES 6900DDW		1		2	P9	
022	519691-1	ROTOR ASSY		1				
D10		INC. 21,23						
023	210261-6	BALL BEARING 688LLB		1				
024	629A72-8	STATOR COMPLETE		1				
025	811F67-7	TW008G NAME PLATE		1				
026	251476-6	VIS HEX CREUSE 5X35 AVEC WR		4			P1	
027	183S74-1	HOUSING SET		1				
D10		INC. 34						
028	266326-2	VIS 4x18		7		65	P2	
029	266326-2	VIS 4x18		4		65	P2	
030	413602-7	REAR COVER		1				
031	620F48-8	LED CIRCUIT		1				
032	413603-5	F/R CHANGE LEVER		1				
033	140U03-9	SWITCH COMPLETE		1				
C10	424774-3	SWITCH COVER		1				
034	183S74-1	HOUSING SET		1				
D10		INC. 27						
035	8012S9-8	SWITCH LABEL		1				
036	424773-5	CAOUTCHOUC		2			P1	
037	8005T5-8	XGT LOGO LABEL		1				

Please order the parts with part number.

Print Date 27/7/2021

Model No.TW008G CORDLESS IMPACT WRENCH

Position	Référence pièce	Description	Echange	QTE	New/Old	Option 1	Option 2	COMMENTAIRE
038	183S77-5	BATTERY HOUSING SET		1				
C10	263005-3	CHEVILLE CAOUTCHOUC 6		2		65	P2	
C20	252126-6	ECROU NYLSTOP HEX M4-7		2		65	P2	
D10		INC. 40						
039	632R99-1	TERMINAL UNIT		1				
040	183S77-5	BATTERY HOUSING SET		1				
C10	263005-3	CHEVILLE CAOUTCHOUC 6		2		65	P2	
C20	252126-6	ECROU NYLSTOP HEX M4-7		2		65	P2	
D10		INC. 38						
042	811F72-4	TW008G SERIAL NO. LABEL		1				
A01	251314-2	VIS M4X12		1		0	P1	
A02	346949-3	CROCHET		1			P6	
A03	821551-8	COFFRET MAKPAC3		1		4	A30	
C10	453974-8	LOQUET		4		0	P1	
A04	835K85-1	INNER TRAY		1				
A05A	8033F4-9	TW008GZ01 INDICATION LABEL		1				
A05B	8033G9-6	TW008GD201 INDICATION LABEL		1				
A06A	8033F5-7	TW008GZ01 PLASTIC CASE LABEL		2				
A06B	8033H0-1	TW008GD201 PLASTIC CASE LABEL		2				
A07B	412393-7	BATTERY COVER		1				
A07C	412393-7	BATTERY COVER		2	*			
A07-1C	412393-7	BATTERY COVER	<	1				
A08B	***DC40RA	DC40RA FAST CHARGER		1				
D10		COMPO-PARTS						
A08C	***DC40RA	DC40RA FAST CHARGER		1				
D10		COMPO-PARTS						
A09B	191B36-3	BATTERY BL4025 SET		2				
A09C	191B26-6	BATTERY BL4040 SET		2				

Please order the parts with part number.

Print Date 27/7/2021