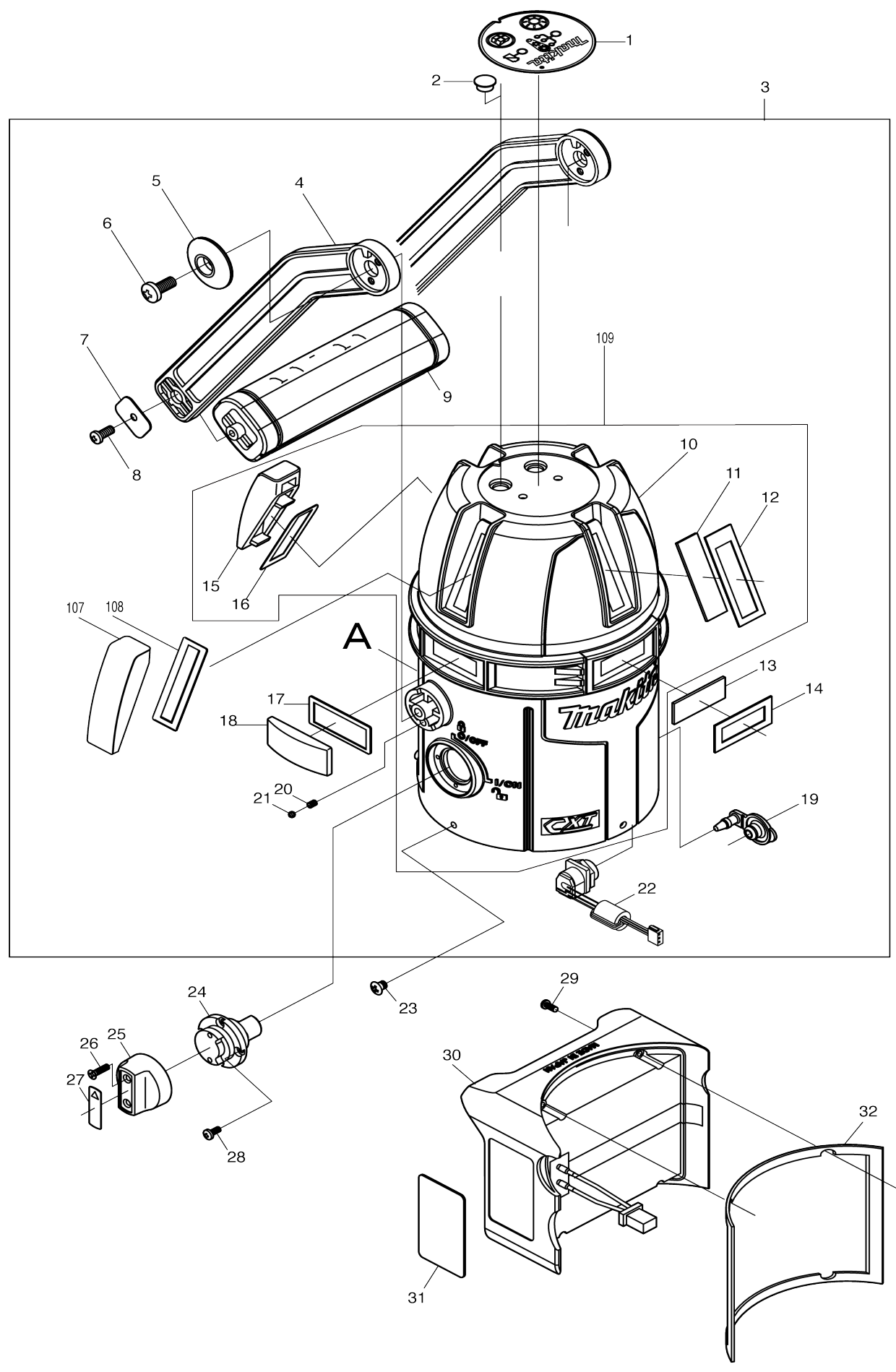
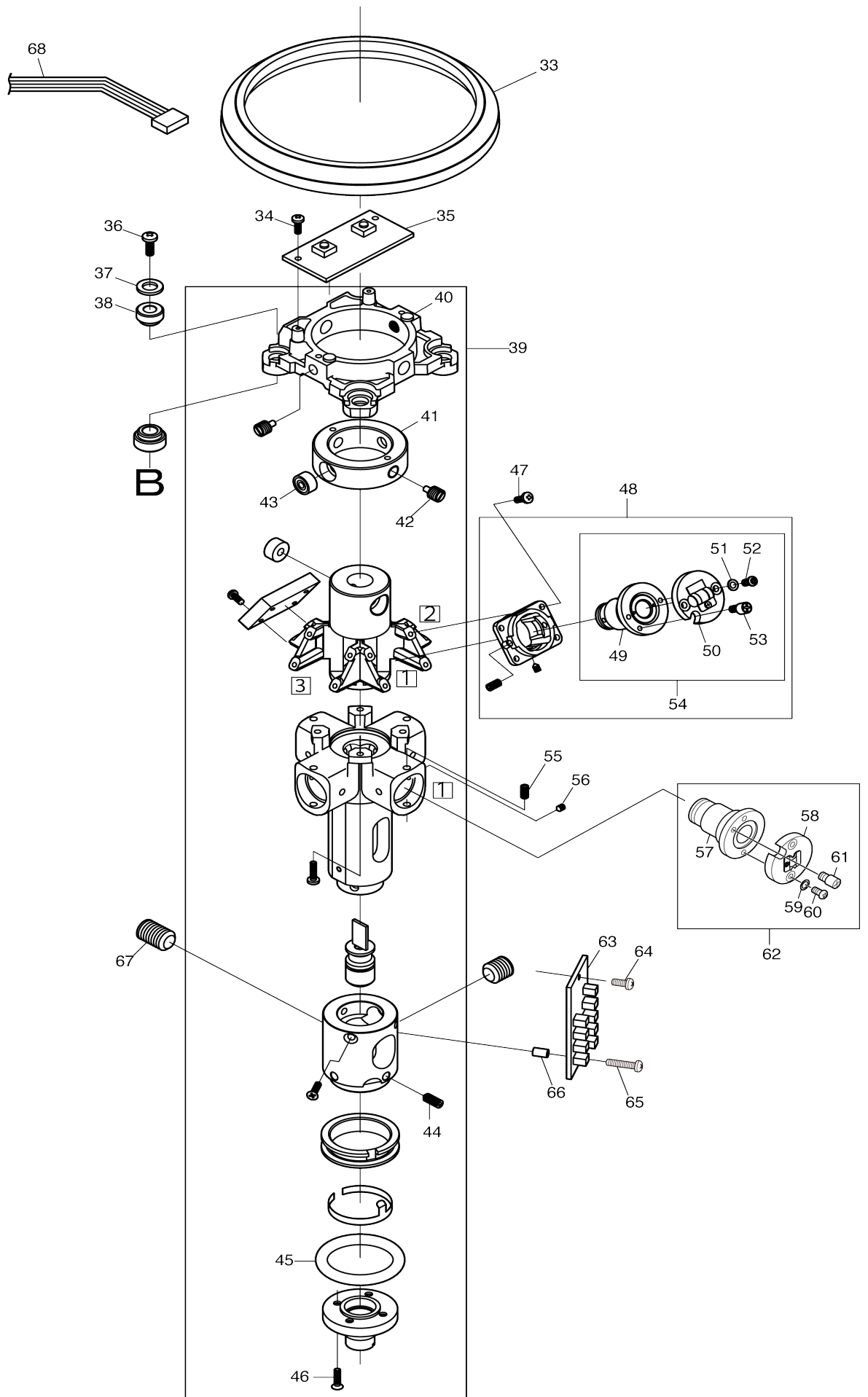


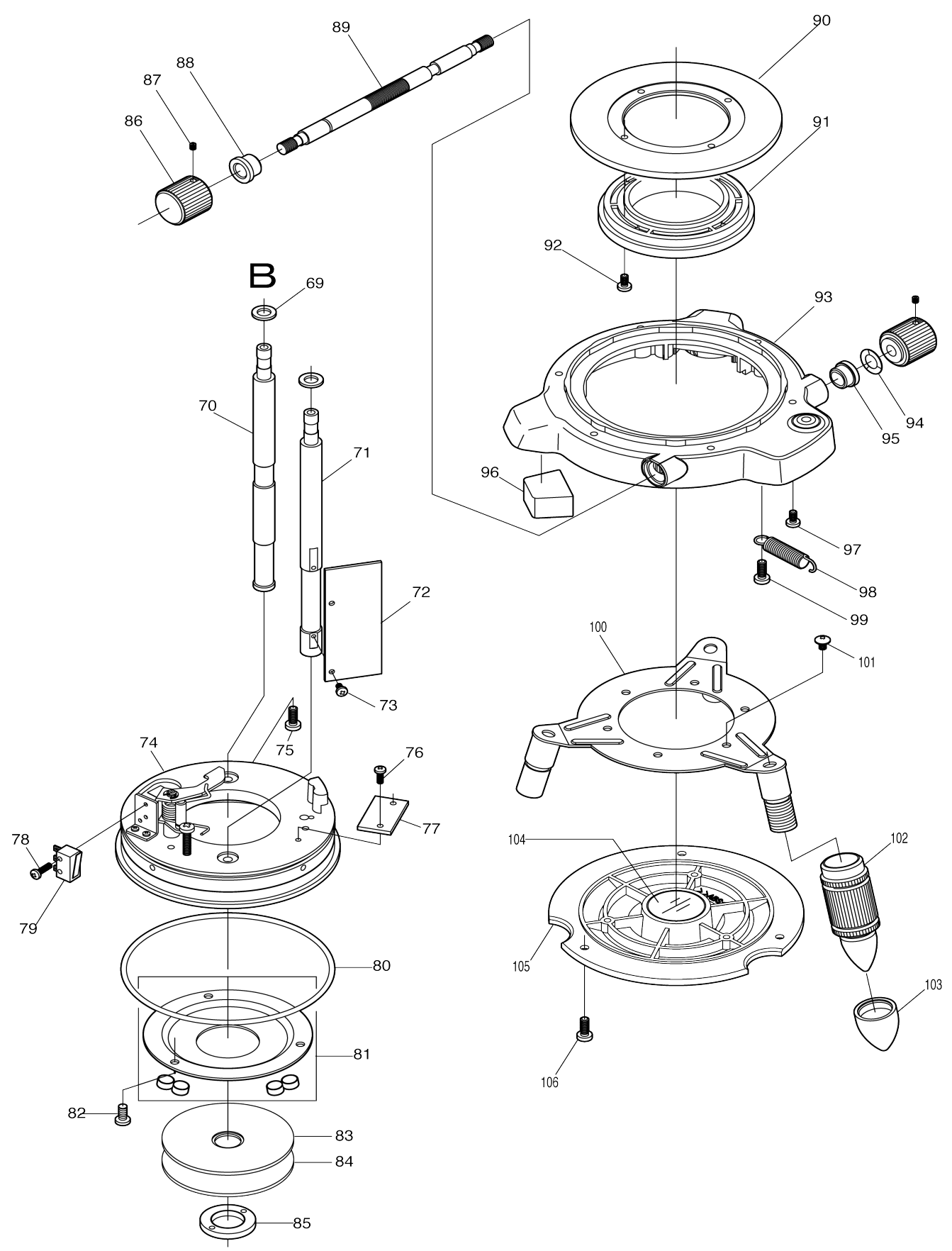
Model No. SK209GD LASER CROIX 2V1H 5M



Model No. SK209GD LASER CROIX 2V1H 5M



Model No.SK209GD LASER CROIX 2V1H 5M



Model No.SK209GD LASER CROIX 2V1H 5M

Numéro d'article	N ° de pièces	Description	Intercangeabilité	Q'ty	Nouvelle / ancienne	Note 1	Note 2
001	TK219UN101	SWITCH LABEL		1			
002	TK16010422	SWITCH BUTTON(2.2)		2	*		
002-1	TK16010441	SWITCH BUTTON(4.1)	X	2			
002A_	TK16010423	SWITCH BUTTON(2.3)		2	*		
002A1	TK16010443	SWITCH BUTTON(4.3)	X	2			
002B_	TK16010424	SWITCH BUTTON(2.4)		2	*		
002B1	TK16010444	SWITCH BUTTON(4.4)	X	2			
003	TK220EUSA1	HOUSING ASSEMBLY		1	*		
003		INC. 4-9,13,14,17-22,107-109			*		
003-1	TK2191EU01	HOUSING COMPLETE	<	1			
003-1		INC. 4-9,13,14,17-22,109					
004	TK02181041	HANDLE		2			
005	TK02181261	HANDLE RETAINER		2			
006	TKTP4010FU	+PAN HEAD SCREW M4X10		2	*		
006-1	TKP4010FUS	+PANHEADSCREWM4X10(WITH RUBBER)	X	2			
007	TK02180127	GRIP RETAINER		2			
008	TKTT3010FB	+TRUSS HD. TAPPING SCREW 3X10		2			
009	TK02181051	GRIP		1			
010	TK219102EU	HOUSING COMPLETE		1	*		
011	TK00210106	GLASS V		2			
012	TK02180128	GLASS V RETAINER LABEL		2			
013	TK02101071	GLASS H		1			
014	TK02180129	GLASS H RETAINER LABEL		1			
015	TK02190125	COVER V		1			
016	TK02190128	DOUBLE SIDES LABEL V		1			
017	TK02190126	COVER H		3	*		
017-1	TK02190129	DOUBLE SIDES LABEL H	X	3			
018	TK02190129	DOUBLE SIDES LABEL H		3	*		
018-1	TK02190126	COVER H	X	3			
019	TKAL411252	DC JUCK COVER		1			
020	TK02181302	COMPRESSION SPRING E		2			
021	TK00SB3000	STELL BALL 3		2			
022	TK219UN131	DC JUCK UN		1			
023	TK0P2550FB	+ PAN HEAD SCREW M2.5X5		4			
024	TK0195SA01	LOCK CAM COMPLETE		1	*		
024-1	TK195SA011	LOCK CAM COMPLETE	O	1			
025	TK01701192	LOCK LEVER		1			
026	TK03F2080N	COUTERSUNK HD. SCREW M2X8		2			
027	TK01700104	SWITCH KNOB LABEL		1	*		
027-1	TK01700104	SWITCH KNOB LABEL	O	1			
028	TKTP2040FU	+PAN HEAD SCREW 2X4		4			
029	TKTP2080FB	TAPPING SCREW 2X8		4	*		
029-1	TKTP2080FB	TAPPING SCREW 2X8	O	4			
030	TK02180008	BATTERY HOLDER COMPLETE		1	*		
030-1	TK02580008	BATTERY HOLDER COMPLETE	<	1			
031	TK220EU113	NAME PLATE 220 EU		1			

032	TK02181242	BATTERY HOLDER GASKET		1		
033	TK02180103	HOUSING RETAINER RING		1	*	
033-1	TK02181031	HOUSING RETAINER RING	O	1		
034	TK03P2040N	PAN HD.SCREW M2X4		2		
035	TKLVF0076D	SWITCH UNIT		1		
036	TK0T3060FU	+TRUSS HD. SCREW 3X6		3		
037	TK0000PW50	FLAT WASHER 5		3		
038	TK01731383	PILLAR BUSH		6		
039	TK0220SA02	GIMBAL ASSEMBLY		1	*	
039		INC. 40-46			*	
039-1	TK220SA021	GIMBAL ASSEMBLY	S	1		
039-1		INC. 40-46				
040	TK01830135	UPPER FRAME		1		
041	TK00174111	GIMBAL INNER RING		1		
042	TK01730196	FULCRUM SCREW		4		
043	TK01730199	BALL BEARING		4		
044	TKS3060FB5	HEX SOCKET HD. SCREW M3X6		4		
045	TK01730148	O RING		1		
046	TK0F2580B0	FLAT HEAD SCREW M2.5X8		4		
047	TK03P2040N	PAN HD.SCREW M2X4		16		
048	TK219SA03E	LASER UNIT V COMPLETE		2		
048		INC. 54				
049	TK02160111	LASER UNIT G COMPLETE		1		
050	TK00218012	LENS		1		
051	TK0000PW20	FLAT WASHER		2		
052	TK03P2060N	PAN HD.SCREW M2X6		2		
053	TK0LV37351	ECCENTRIC SCREW		1		
054	TK219SA04E	LASER UNIT COMPLETE		1		
054		INC. 49-53				
055	TKS2550S05	H.S.SET SCREW(FLAT POINT)		2		
056	TKS2540FB4	H.S.SET SCREW M2.5X4		2		
057	TK02160111	LASER UNIT G COMPLETE		1		
058	TK00218012	LENS		1		
059	TK0000PW20	FLAT WASHER		2		
060	TK03P2060N	PAN HD.SCREW M2X6		2		
061	TK0LV37351	ECCENTRIC SCREW		1		
062	TK219SA04E	LASER UNIT COMPLETE		1		
062		INC. 57-61				
063	TKLVF0068B	CONTROL UNIT		1	*	
063-1	TKLVF0068F	CONTROL UNIT G3L-LF	O	1		
064	TK03P2040N	PAN HD.SCREW M2X4		1		
065	TK03P2080N	PAN HD. SCREW M2X8		1		
066	TKST2060FZ	SPACER		1		
067	TK0219SET1	BALANCER WEIGHT SET		1	*	
068	TK0LVE3044	LEAD UNIT A		1		
069	TK0000PW50	FLAT WASHER 5		3		
070	TK01701146	PILLAR A		2		
071	TK02100118	PILLAR B		1		
072	TKLVF00753	POWER SUPPLY UNIT		1		
073	TK03P2040N	PAN HD.SCREW M2X4		2		
074	TK0218SA05	LOWER FRAME COMPLETE		1		
075	TK0P3080FU	+PAN HD. SCREW M3X8		3		

076	TK03P2040N	PAN HD.SCREW M2X4		2		
077	TK0LVF0066	CONNECTOR UNIT		1		
078	TK03P2080N	PAN HD. SCREW M2X8		2		
079	TK0TL32108	SWITCH		1		
080	TK01501151	O RING		1		
081	TK0173SA13	MAGNET UNIT		1	*	
081-1	TK173SA131	MAGNET UNIT	S	1		
082	TK0P3060FU	+PAN HEAD SCREW M3X6		3		
083	TK00170132	DAMPER PLATE A		1	*	
084	TK01730156	DAMPER PLATE B		1	*	
084-1	TK01730156	DAMPER PLATE B	S	2		
085	TKLV272921	RING NUT		1		
086	TK01970106	ADJUSTING WHEEL		2		
087	TKS2540FB4	H.S.SET SCREW M2.5X4		2		
088	TK01821171	BUSH		1		
089	TK01821141	ADJUSTING ROD		1		
090	TK01821161	ROTATION RING		1		
091	TK01821152	ADJUSTING RING		1		
092	TK0P2550FU	+PAN HD. SCREW M2.5X5		4		
093	TK0218118S	ADJUSTING FLAME		1		
094	TK00WW50S0	WAVE WASHER 5		1		
095	TK01850105	BUSH		1		
096	TK01851071	SPONGE		3		
097	TK0P2560FU	+PAN HD. SCREW M2.5X6		3		
098	TK01821181	TENSION SPRING		1		
099	TKTP2550FB	+PAN HD. SCREW M2.5X5		1		
100	TK0218121S	TRIPOD		1		
101	TKTT3070FU	+TRUSS HD. TAPPING SCREW 3X 7		3		
102	TK02180108	SPIKE		3		
103	TK01581222	SPIKE CAP		3		
104	TK0LV36971	COVER GLASS		1	*	
104-1	TK02180136	COVER SHEET	O	1		
105	TK01821112	UNDER COVER ASSEMBLY		1		
106	TKTP3010FB	+TAPPING SCREW 3X10		3		
107	TK02190125	COVER V		1		
108	TK02190128	DOUBLE SIDES LABEL V		1		
109	TK2191EU01	HOUSING COMPLETE		1	*	
109		INC. 10-12,15,16			*	
109-1	TK219102EA	HOUSING COMPLETE	<	1		
109-1		INC. 11-18				
A01	TK0219UNIM	CD-ROM		1		
A02	TK219UNQSG	OPERATION GUIDE		1		
A03	TK0219UNSB	SAFETY MANUAL		1		
A04	TK02100200	GLASSES LASER VISIBILITY		1		
A05	TK00SB0001	SHOULDER BELT		1		
A06	TKAK400MUS	STORAGE CASE		1	*	
A06-1	TKAK400M00	STORAGE CASE	>	1		
A07	TK220UNCB1	CARTON		1		
A08	TK00220901	MODEL LABEL		1		

Veuillez indiquer les pièces n ° lorsque votre commande.

Date d'impression 28/10/2024