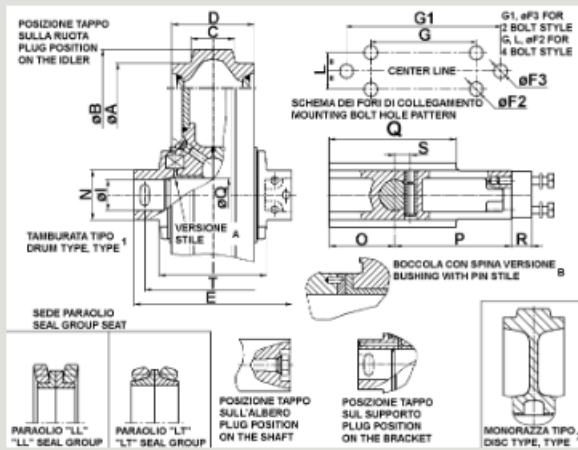


5.1 - Dimensions



Label	Description	Value mm	Value in
C	Dimension C	84.00 mm	3.31 in
D	Dimension D	158.00 mm	6.22 in
E	Dimension E	340.00 mm	13.39 in
G	Dimension G	300.00 mm	11.81 in
I	Dimension I	230.00 mm	9.06 in
L	Dimension L	65.00 mm	2.56 in
N	Dimension N	110.00 mm	4.33 in
O	Dimension O	80.00 mm	3.15 in
P	Dimension P	260.00 mm	10.24 in
Q	Dimension Q	340.00 mm	13.39 in
R	Dimension R	0.00 mm	0.00 in
S	Dimension S	0.00 mm	0.00 in
T	Dimension T	288.00 mm	11.34 in
øA	Diameter A	570.00 mm	22.44 in
øB	Diameter B	610.00 mm	24.02 in
øI	Diameter I	75.00 mm	2.95 in
øQ	Diameter Q	75.00 mm	2.95 in
G1	Dimension G1	0.00 mm	0.00 in
nF	Number of bolt	4.00	