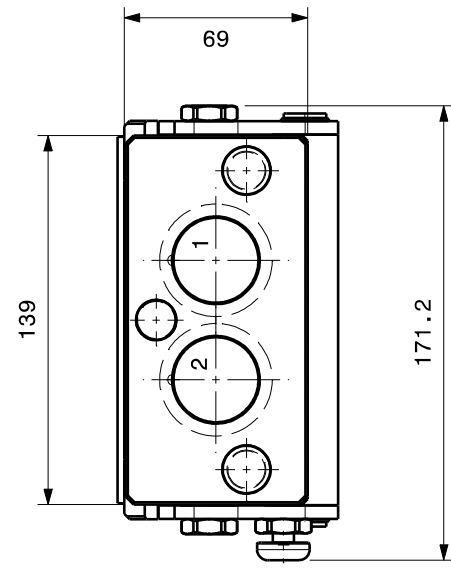
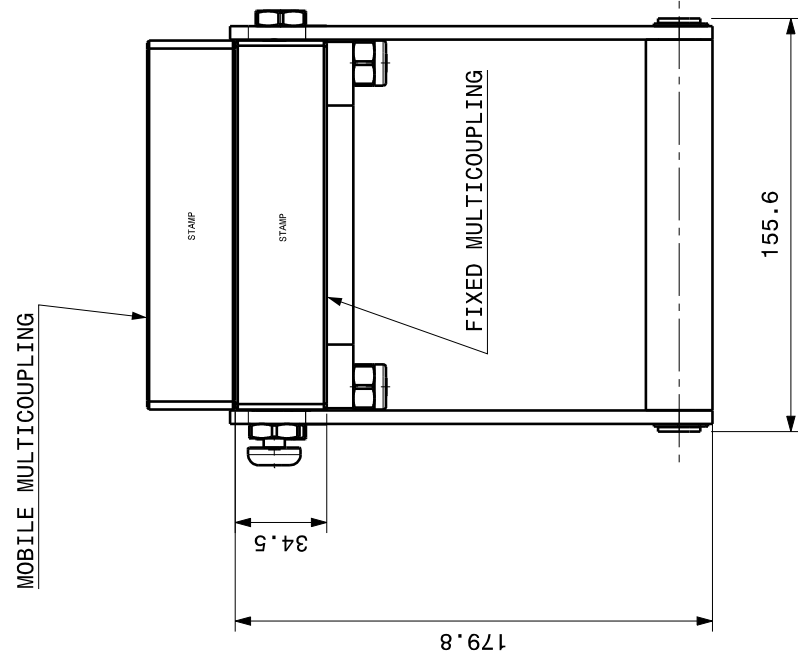


M10 - 2 SCREWS AND NUTS
(not supplied by Stucchi)



POSITION	COUPLING SIZE	PREDISPOSITION FOR ELECTRICAL CONNECTOR
1	1/2	YES
2	1/2	YES

FIXED MULTICOUPLING WEIGHT: 1.81 kg
MOBILE MULTICOUPLING WEIGHT: 0.84 kg

FIXED AND MOBILE PLATE BODIES: ALUMINIUM + HARD OXYDE COATING
PINS AND CAMS: CARBON STEEL + QPQ
HANDLE AND LEVERS: ZINC-NICKEL SURFACE TREATMENT

MAX MULTICOUPLING RESISTANCE: 12000 N

APPLICATION TESTING AND VERIFICATION IS CUSTOMER RESPONSIBILITY

APPROVED BY _____
Company: _____
Signature: _____
Date: _____

DISEGNO PER OFFERTA AL CLIENTE

Disegnato	Controllo	Data	Scale	CAD SYSTEM	WEIGHT
R. Tressoldi	G. Bosch	17.10.12	1:2	CATIA V5	2.650 Kg
Prod.	FOLIO		REV.	REV.	
	FIXED MULTICOUPLING DP2-13L				
	MOBILE MULTICOUPLING DP2-13L				

STUCCHI S.p.A.
Via S. Maria 10 - 20139 Milano - Italy
Tel. +39 02 76001 - Fax +39 02 76002
E-mail: info@stucchi.com
www.stucchi.com

Disegnato in formato ISO 5457 - A2
Disegnato in MILLIMETRI

107112

1/1

107112

01