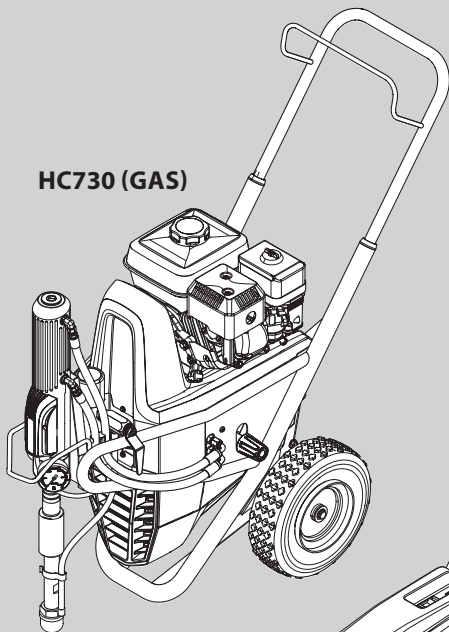
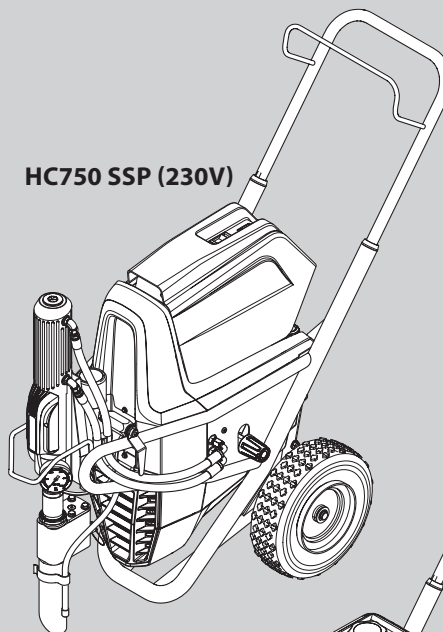


**WAGNER**

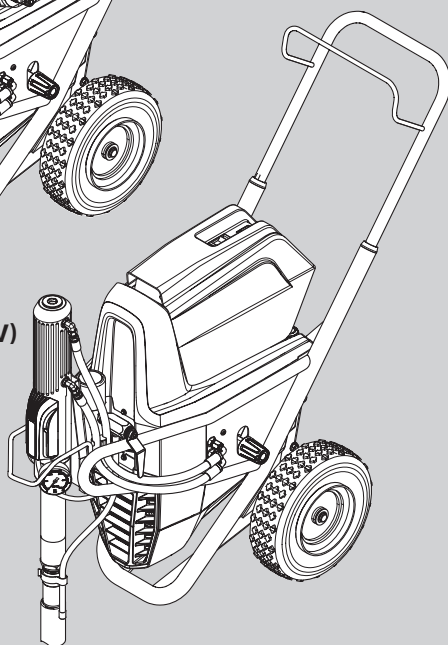
HC730 (GAS)



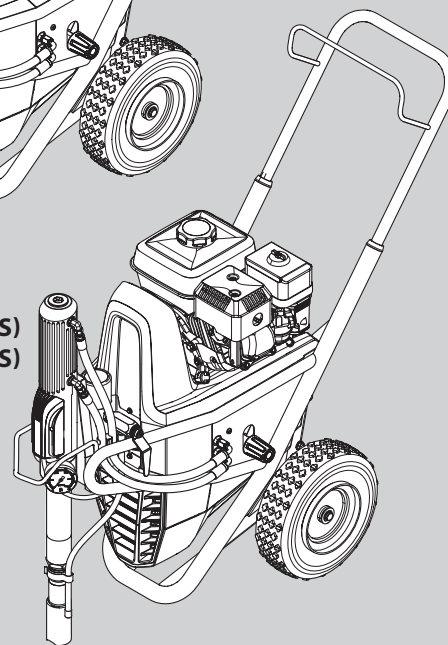
HC750 SSP (230V)



HC750 (230V)



HC750 (GAS)  
HC770 (GAS)



# HEAVYCOAT (HC)

## 730 • 750 • 770

OWNER'S MANUAL • BETRIEBSANLEITUNG  
MODE D'EMPLOI



# Warning!

**Attention: Danger of injury by injection!**  
Airless units develop extremely high spraying pressures.

**1**

**Never put your fingers, hands or any other parts of the body into the spray jet!**

**Never point the spray gun at yourself, other persons or animals. Never use the spray gun without safety guard.**

**Do not treat a spraying injury as a harmless cut. In case of injury to the skin through coating materials or solvents, consult a doctor immediately for quick and expert treatment. Inform the doctor about the coating material or solvent used.**

**2**

**The operating instructions state that the following points must always be observed before starting up:**

1. Faulty units must not be used.
2. Secure Wagner spray gun using the trigger lock on the trigger.
3. Ensure that the unit is properly earthed.
4. Check allowable operating pressure of high-pressure hose and spray gun.
5. Check all connections for leaks.

**3**

**The instructions regarding regular cleaning and maintenance of the unit must be strictly observed.**

**Before any work is done on the unit or for every break in work the following rules must be observed:**

1. Release the pressure from spray gun and hose.
2. Secure the Wagner spray gun using the trigger lock on the trigger.
3. Switch off unit.

# Be safety conscious!

|          |  |           |   |   |           |
|----------|--|-----------|---|---|-----------|
| <b>1</b> | <b>SAFETY REGULATIONS FOR AIRLESS SPRAYING</b>               | <b>4</b>  | <b>8</b>  | <b>TROUBLESHOOTING</b>                            | <b>31</b> |
| 1.1      | Explanation of symbols used                                  | 4         | 8.1   | Airless gun                                       | 31        |
| 1.2      | Safety hazards   | 4         | 8.2   | Fluid section                                     | 31        |
| 1.3      | Setup on an uneven surface                                   | 6         | 8.3   | Hydraulic motors                                  | 32        |
| 1.4      | Electrical safety  | 6         | 8.4   | Spray patterns                                    | 33        |
| 1.5      | Gasoline engine safety                                       | 6         | <b>9</b>  | <b>APPENDIX</b>                                   | <b>34</b> |
| 1.6      | Fueling (gas engine)   | 7         | 9.1   | Selection of tip                                  | 34        |
| <b>2</b> | <b>MAIN AREAS OF APPLICATION</b>                             | <b>8</b>  | 9.2   | Servicing and cleaning of Airless hard-metal tips | 34        |
| 2.1      | Application  | 8         | 9.4   | 2Speed Tip table                                  | 35        |
| 2.2      | Coating materials  | 8         | 9.5   | Airless tip table                                 | 36/37     |
| <b>3</b> | <b>DESCRIPTION OF UNIT</b>                                   | <b>9</b>  | <b>ACCESSORIES AND SPARE PARTS</b>                    | <b>110</b>  |           |
| 3.1      | Airless process  | 9         | Spare parts list for the main assembly I              | 110/111   |           |
| 3.2      | Functioning of the unit                                      | 9         | Spare parts list for the main assembly II             | 112/113   |           |
| 3.3      | System diagram - gasoline HeavyCoat units                    | 10        | Spare parts list for the cart assembly                | 114/115   |           |
| 3.4      | System diagram - electric HeavyCoat units                    | 11        | Spare parts list for the hydraulic system             | 116/117   |           |
| 3.5      | Technical data for HeavyCoat units                           | 12        | Spare parts list for the fluid section •              |   |           |
| 3.6      | Transportation   | 13        | HeavyCoat 730   | 118/119   |           |
| 3.7      | Crane transport  | 13        | Spare parts list for the fluid section •              |   |           |
| <b>4</b> | <b>OPERATION</b>   | <b>13</b> | HeavyCoat 750 / 770                                   | 120/121   |           |
| 4.1      | Setup  | 13        | Spare parts list for the shovel valve HC 750 SSP      | 122/123   |           |
| 4.2      | Starting the engine (gas models)                             | 15        | Spare parts list for the hydraulic motor assembly     | 124/125   |           |
| 4.3      | Preparing a new sprayer                                      | 15        | Spare parts list for the high-pressure filter         | 126/127   |           |
| 4.4      | Preparing to paint   | 16        | Spare parts list for bleed valve assembly             | 128/129   |           |
| 4.5      | Painting   | 17        | Spare parts list for solenoid assembly                | 130/131   |           |
| 4.6      | Pressure relief procedure                                    | 17        | <b>CONNECTION DIAGRAM (230V)</b>                      | <b>132</b>  |           |
| <b>5</b> | <b>SPRAYING</b>  | <b>18</b> | <b>CONNECTION DIAGRAM (GAS ENGINE)</b>                | <b>133</b>  |           |
| 5.1      | Cleaning a clogged tip                                       | 18        | <b>HYDRAULIC DIAGRAM</b>                              | <b>134</b>  |           |
| 5.2      | Interruption of work   | 19        | <b>ACCESSORIES FOR HC UNITS I</b>                     | <b>135</b>  |           |
| 5.3      | Handling the high pressure hose                              | 19        | <b>ACCESSORIES FOR HC UNITS II</b>                    | <b>136/137</b>                                    |           |
| <b>6</b> | <b>CLEANUP</b>   | <b>20</b> | <b>IMPORTANT NOTES ON PRODUCT LIABILITY</b>           | <b>138</b>  |           |
| 6.1      | Special cleanup instructions for use with flammable solvents | 20        | <b>3+2 YEARS GUARANTEE FOR PROFESSIONAL FINISHING</b> | <b>138</b>  |           |
| 6.2      | Cleaning the sprayer   | 20        | <b>SALES AND SERVICE COMPANIES</b>                    | <b>147/148</b>                                    |           |
| 6.3      | Cleaning the outside of the sprayer                          | 20        |   |   |           |
| 6.4      | Cleaning the filter screen                                   | 21        |   |   |           |
| 6.5      | Cleaning the airless spray gun                               | 21        |   |   |           |
| <b>7</b> | <b>MAINTENANCE</b>   | <b>22</b> |   |   |           |
| 7.1      | Daily maintenance  | 22        |   |   |           |
| 7.2      | Lubricating the upper packings                               | 22        |   |   |           |
| 7.3      | Maintaining the filter assembly                              | 22        |   |   |           |
| 7.4      | Maintaining the hydraulic system                             | 23        |   |   |           |
| 7.5      | Maintaining the fluid section                                | 24        |   |   |           |
| 7.6      | High pressure hose   | 24        |   |   |           |
| 7.7      | Basic engine maintenance                                     | 25        |   |   |           |
| 7.8      | Servicing the hydraulic motor                                | 26        |   |   |           |
| 7.9      | Servicing the fluid section                                  | 28        |   |   |           |
| 7.10     | Replacing the belt   | 30        |   |   |           |

# 1 SAFETY REGULATIONS FOR AIRLESS SPRAYING

## 1.1 EXPLANATION OF SYMBOLS USED

This manual contains information that must be read and understood before using the equipment. When you come to an area that has one of the following symbols, pay particular attention and make certain to heed the safeguard.



→ This symbol indicates a potential hazard that may cause serious injury or loss of life. Important safety information will follow.



Attention

→ This symbol indicates a potential hazard to you or to the equipment. Important information that tells how to prevent damage to the equipment or how to avoid causes of minor injuries will follow.



→ Danger of skin injection



→ Danger of fire from solvent and paint fumes



→ Danger of explosion from solvent, paint fumes and incompatible materials



→ Danger of injury from inhalation of harmful vapors



→ Danger of injury from electric shock



→ Notes give important information which should be given special attention.

## 1.2 SAFETY HAZARDS



### HAZARD: INJECTION INJURY

A high pressure stream produced by this equipment can pierce the skin and underlying tissues, leading to serious injury and possible amputation.

Do not treat a spraying injury as a harmless cut. In case of injury to the skin through coating materials or solvents, consult a doctor immediately for quick and expert treatment. Inform the doctor about the coating material or solvent used.

### PREVENTION:

- NEVER aim the gun at any part of the body.
- NEVER allow any part of the body to touch the fluid stream. DO NOT allow body to touch a leak in the fluid hose.
- NEVER put your hand in front of the gun. Gloves will not provide protection against an injection injury.
- ALWAYS lock the gun trigger, shut the fluid pump off and release all pressure before servicing, cleaning the tip guard, changing tips, or leaving unattended. Pressure will not be released by turning off the engine. The PRIME/SPRAY valve or pressure bleed valve must be turned to their appropriate positions to relieve system pressure.
- ALWAYS keep tip guard in place while spraying. The tip guard provides some protection but is mainly a warning device.
- ALWAYS remove the spray tip before flushing or cleaning the system.
- NEVER use a spray gun without a working trigger lock and trigger guard in place.
- All accessories must be rated at or above the maximum operating pressure range of the sprayer. This includes spray tips, guns, extensions, and hose.



**HAZARD: HIGH PRESSURE HOSE**

The paint hose can develop leaks from wear, kinking and abuse. A leak can inject material into the skin. Inspect the hose before each use.

**PREVENTION:**

- Avoid sharp bending or kinking of the high-pressure hose. The smallest bending radius amounts to about 20 cm.
- Do not drive over the high-pressure hose. Protect against sharp objects and edges.
- Replace any damaged high-pressure hose immediately.
- Never repair damaged high-pressure hoses yourself!
- Electrostatic charging of spray guns and the high-pressure hose is discharged through the high-pressure hose. For this reason the electric resistance between the connections of the high-pressure hose must be equal to or lower than 1MΩ.
- For reasons of function, safety and durability use only original Wagner high-pressure hoses.
- Before each use, check all hoses for cuts, leaks, abrasion or bulging of cover. Check for damage or movement of couplings. Immediately replace the hose if any of these conditions exist. Never repair a paint hose. Replace it with another earthed high-pressure hose.
- Make sure power cord, air hose and spray hoses are routed in such a manner to minimize slip, trip and fall hazard.

**HAZARD: EXPLOSION OR FIRE**

Flammable vapors, such as solvent and paint vapors, in work area can ignite or explode.

**PREVENTION:**

- Use equipment only in well ventilated area. Keep a good supply of fresh air moving through the area to keep the air within the spray area free from accumulation of flammable vapors. Keep pump assembly in well ventilated area. Do not spray pump assembly.
- Electric models only - Do not use materials with a flashpoint below 38° C (100° F). Flashpoint is the temperature at which a fluid can produce enough vapors to ignite.
- Gas models only - Do not fill fuel tank while engine is running or hot; shut off engine and allow to cool. Fuel is flammable and can ignite or explode if spilled on a hot surface.
- Eliminate all ignition sources, such as pilot lights, cigarettes, portable electric lamps and plastic drop cloths (potential static arc).
- Keep work area free of debris, including solvent, rags and gasoline.
- Do not plug or unplug power cords, or turn power or light switches on or off when flammable vapors are present.
- Ground equipment and conductive objects in work area. Make sure the grounding cable (not equipped) is connected from the grounding lug to a true earth ground.
- Use only grounded hoses.
- Hold spray gun firmly to the side of a grounded pail when triggering into pail.
- If there is static sparking or if you feel a shock, stop operation immediately.
- Know the contents of the paint and solvents being sprayed. Read all material Safety Data Sheets (SDS) and container labels provided with the paints and solvents. Follow the paint and solvent manufacturer's safety instructions.
- Do not use a paint or solvent containing halogenated hydrocarbons. Such as chlorine, bleach, mildewcide, methylene chloride and trichloroethane. They are not compatible with aluminum. Contact the coating supplier about compatibility of material with aluminum.
- Keep a fire extinguisher in work area.



### HAZARD: HAZARDOUS VAPORS

Paints, solvents, and other materials can be harmful if inhaled or come in contact with body. Vapors can cause severe nausea, fainting, or poisoning.

#### PREVENTION:

- Wear respiratory protection when spraying. Read all instructions supplied with the mask to be sure it will provide the necessary protection.
- All local regulations regarding protection against hazardous vapors must be observed.
- Wear protective eyewear.
- Protective clothing, gloves and possibly skin protection cream are necessary for the protection of the skin. Observe the regulations of the manufacturer concerning coating materials, solvents and cleaning agents in preparation, processing and cleaning units.



### HAZARD: GENERAL

This product can cause severe injury or property damage.

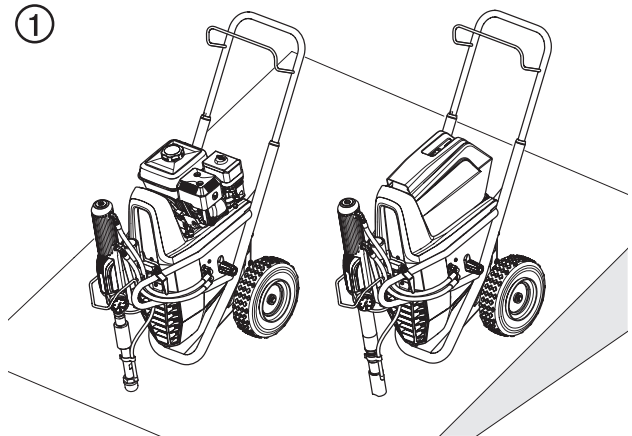
#### PREVENTION:

- Follow all appropriate local, state, and national codes governing ventilation, fire prevention, and operation.
- Pulling the trigger causes a recoil force to the hand that is holding the spray gun. The recoil force of the spray gun is particularly powerful when the tip has been removed and high pressure has been set on the airless pump. When cleaning without a spray tip, set the pressure control knob to the lowest pressure.
- Use only manufacturer authorized parts. User assumes all risks and liabilities when using parts that do not meet the minimum specifications and safety devices of the pump manufacturer.
- ALWAYS follow the material manufacturer's instructions for safe handling of paint and solvents.
- Clean up all material and solvent spills immediately to prevent slip hazard.
- Wear ear protection. This unit can produce noise levels above 85 dB(A).
- Never leave this equipment unattended. Keep away from children or anyone not familiar with the operation of airless equipment.
- Do not spray on windy days.
- The device and all related liquids (i.e. hydraulic oil) must be disposed of in an environmentally friendly way.

### 1.3 SETUP ON AN UNEVEN SURFACE

The front end must always point downwards in order to avoid sliding away.

If possible do not use the unit on an inclined surface since the unit tends to wander due to the resulting vibrations.



### 1.4 ELECTRIC SAFETY

Electric models must be grounded/earthed. In the event of an electrical short circuit, grounding/earthing reduces the risk of electric shock by providing an escape wire for the electric current. This product is equipped with a cord having an grounding/earthing wire with an appropriate grounding/earthing plug. Connection to the power cord only through a special feed point, e.g. through an error protection installation with INF < 30 mA.



**DANGER** — Work or repairs at the electrical equipment may only be carried out by a skilled electrician. No liability is assumed for incorrect installation. Switch the unit off. Before all repair work, unplug the power plug from the outlet.




Danger of short-circuits caused by water ingressing into the electrical equipment. Never spray down the unit with high-pressure or high-pressure steam cleaners.

### 1.5 GASOLINE ENGINE SAFETY

1. Gas engines are designed to give safe and dependable service if operated according to instructions. Read and understand the engine manufacturer's Owner's Manual before operating the engine. Failure to do so could result in personal injury or equipment damage.
2. To prevent fire hazards and to provide adequate ventilation, keep the engine at least 1 meter (3 feet) away from buildings and other equipment during operation. Do not place flammable objects close to the engine.


3. People who are not operating the device must stay away from the area of operation due to a possibility of burns from hot engine components or injury from any equipment the engine may be used to operate.
4. Know how to stop the engine quickly, and understand the operation of all controls. Never permit anyone to operate the engine without proper instructions.
5. Gasoline is extremely flammable and is explosive under certain conditions.
6. Refuel in a well-ventilated area with the engine stopped. Do not smoke or allow flames or sparks in the refueling area or where gasoline is stored.
7. Do not overfill the fuel tank. After refueling, make sure the tank cap is closed properly and securely.
8. Be careful not to spill fuel when refueling. Fuel vapor or spilled fuel may ignite. If any fuel is spilled, make sure the area is dry before starting the engine.
9. Never run the engine in an enclosed or confined area. Exhaust contains poisonous carbon monoxide gas; exposure may cause loss of consciousness and may lead to death.
10. The muffler becomes very hot during operation and remains hot for a while after stopping the engine. Be careful not to touch the muffler while it is hot. To avoid severe burns or fire hazards, let the engine cool before transporting it or storing it indoors.
11. Never ship/transport sprayer with gasoline in the tank.


|   |  |
|---|--|
|  | <p>If “spark knock” or “pinging” occurs at a steady engine speed under normal load, change brands of gasoline. If spark knock or pinging persists, consult an authorized dealer of the engine manufacturer. Failure to do so is considered misuse, and damage caused by misuse is not covered by the engine manufacturer’s limited warranty.</p> <p>Occasionally you may experience light spark knock while operating under heavy loads. This is no cause for concern, it simply means your engine is operating efficiently.</p> |
|---|--|

- Unleaded fuel produces fewer engine and spark plug deposits and extends the life of the exhaust system components.
- Never use stale or contaminated gasoline or an oil/gasoline mixture. Avoid getting dirt, dust, or water in the fuel tank.


**GASOLINES CONTAINING ALCOHOL**

If you decide to use a gasoline containing alcohol (gasohol), be sure its octane rating is at least as high as that recommended by the engine manufacturer. There are two types of “gasohol”: one containing ethanol, and the other containing methanol. Do not use gasohol that contains more than 10% ethanol. Do not use gasoline containing methanol (methyl or wood alcohol) that does not also contain co-solvents and corrosion inhibitors for methanol. Never use gasoline containing more than 5% methanol, even if it has co-solvents and corrosion inhibitors.

|   |  |
|---|--|
|  | <p>Fuel system damage or engine performance problems resulting from the use of fuels that contain alcohol is not covered under the warranty. The engine manufacturer cannot endorse the use of fuels containing methanol since evidence of their suitability is incomplete at this time.</p> <p>Before buying gasoline from an unfamiliar station, try to find out if the gasoline contains alcohol. If it does, confirm the type and percentage of alcohol used. If you notice any undesirable operating characteristics while using a gasoline that contains alcohol, or one that you think contains alcohol, switch to a gasoline that you know does not contain alcohol.</p> |
|---|--|

|   |   |
|---|---|
|  | DO NOT use this equipment to spray water or acid. |
|---|---|

**1.6 FUELING (GAS ENGINE)**

|   |  |
|---|--|
|  | Gasoline is extremely flammable and is explosive under certain conditions. |
|---|--|

**FUEL SPECIFICATIONS**

Use automotive gasoline that has a pump octane number of 86 or higher, or that has a research octane number of 91 or higher. Use of a lower octane gasoline can cause persistent “pinging” or heavy “spark knock” (a metallic rapping noise) which, if severe, can lead to engine damage.

## 2 MAIN AREAS OF APPLICATION

### 2.1 APPLICATION

The main area of application are thick layers of highly viscous coating material for large areas and a high consumption of material.

Priming and final coating of large areas, sealing, impregnation, construction sanitation, façade protection and renovation, rust protection and building protection, roof coating, roof sealing, concrete sanitation, as well as heavy corrosion protection.

#### EXAMPLES OF OBJECTS TO BE SPRAYED

Large-scale construction sites, cooling towers, bridges, sewage treatment plants and terraces.

#### OPERATING TEMPERATURE

This equipment will operate correctly in its intended ambient, at a minimum between +10°C and +40°C.

#### RELATIVE HUMIDITY

The equipment will operate correctly within an environment at 50% RH, +40°C. Higher RH may be allowed at lower temperatures.

Measures shall be taken by the Purchaser to avoid the harmful effects of occasional condensation.

#### ALTITUDE

This equipment will operate correctly up to 2100 m above mean sea level.

#### TRANSPORTATION AND STORAGE

This equipment will withstand, or has been protected against, transportation and storage temperatures of -25°C to +55°C and for short periods up to +70°C.

It has been packaged to prevent damage from the effects of normal humidity, vibration and shock.

### 2.2 COATING MATERIALS

#### PROCESSIBLE COATING MATERIALS

Diluting lacquers and paints or those containing solvents, two-component coating materials, dispersion and latex paints.

No other materials should be used for spraying without Wagner's approval.



Pay attention to the Airless quality of the coating materials to be processed.

#### VISCOSITY

The unit is able to process coating materials with up to 50.000 / 65.000 mPas. If highly viscous coating materials cannot be taken in or the performance of the unit is too low, the paint must be diluted in accordance with the manufacturer's instructions.



Attention: Make sure, when stirring up with motor-driven agitators that no air bubbles are stirred in. Air bubbles disturb when spraying and can, in fact, lead to interruption of operation.

#### COATING MATERIALS WITH ABRASIVE MATERIALS

These particles have a strong wear and tear effect on valves and tips, but also on the spray gun. This impairs the durability of these wearing parts considerably.

#### TWO-COMPONENT COATING MATERIAL

The appropriate processing time must be adhered to exactly. Within this time rinse through and clean the unit meticulously with the appropriate cleaning agents.

#### FILTERING

Sufficient filtering is required for fault-free operation. The unit is equipped with a suction filter, an insertion filter in the spray gun and a high pressure filter on the unit. Regular inspection of these filters for damage or soiling is urgently recommended.

If using this sprayer with textured materials, it is important that the filter inside of the spray gun be removed. See section 6.5.

### 3 DESCRIPTION OF UNIT

#### 3.1 AIRLESS PROCESS

A piston pump takes in the coating material by suction and conveys it to the tip. Pressed through the tip at a pressure of up to a maximum of 3600 PSI (250 bar, 25 MPa), the coating material is atomised. This high pressure has the effect of micro fine atomization of the coating material.

As no air is used in this process, it is described as an AIRLESS process.

This method of spraying has the advantages of finest atomization, cloudless operation and a smooth, bubble-free surface. As well as these, the advantages of the speed of work and convenience must be mentioned.

#### 3.2 FUNCTIONING OF THE UNIT

The following section contains a brief description of the technical construction for better understanding of the function of the unit.



This manual gives information for both electric motor and gasoline engine HeavyCoat models.

Wagner HeavyCoat are high-pressure spraying units driven by either a gasoline engine or electric motor.

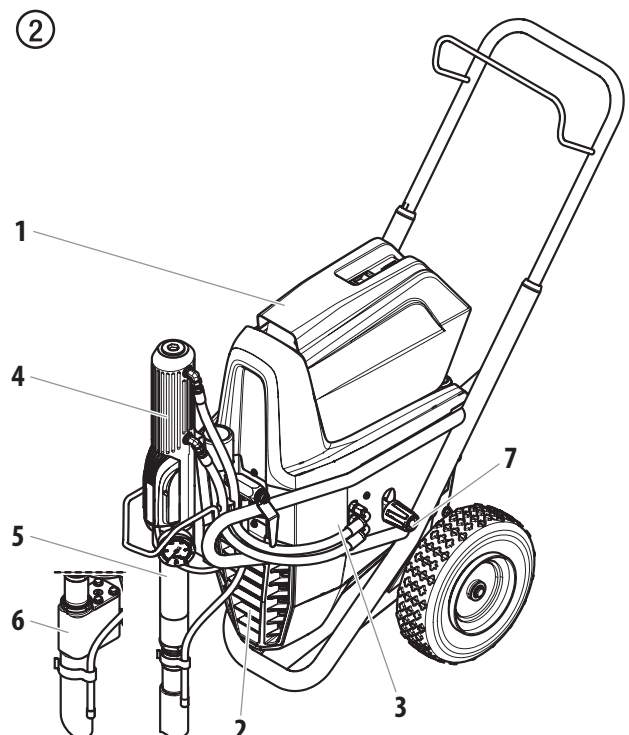
The gasoline engine or electric motor (fig. 2, item 1) drives the hydraulic pump (3) by means of a V-belt which is under the belt cover (2). Hydraulic oil flows to the hydraulic motor (4) and then moves the piston up and down in the material feed pump (5).

With device HC 750 SSP the piston in the material feed pump moves a shovel valve (6). The shovel valve feeds high-viscosity coating materials.

The inlet valve is opened automatically by the upwards movement of the piston. The outlet valve is opened when the piston moves downward.

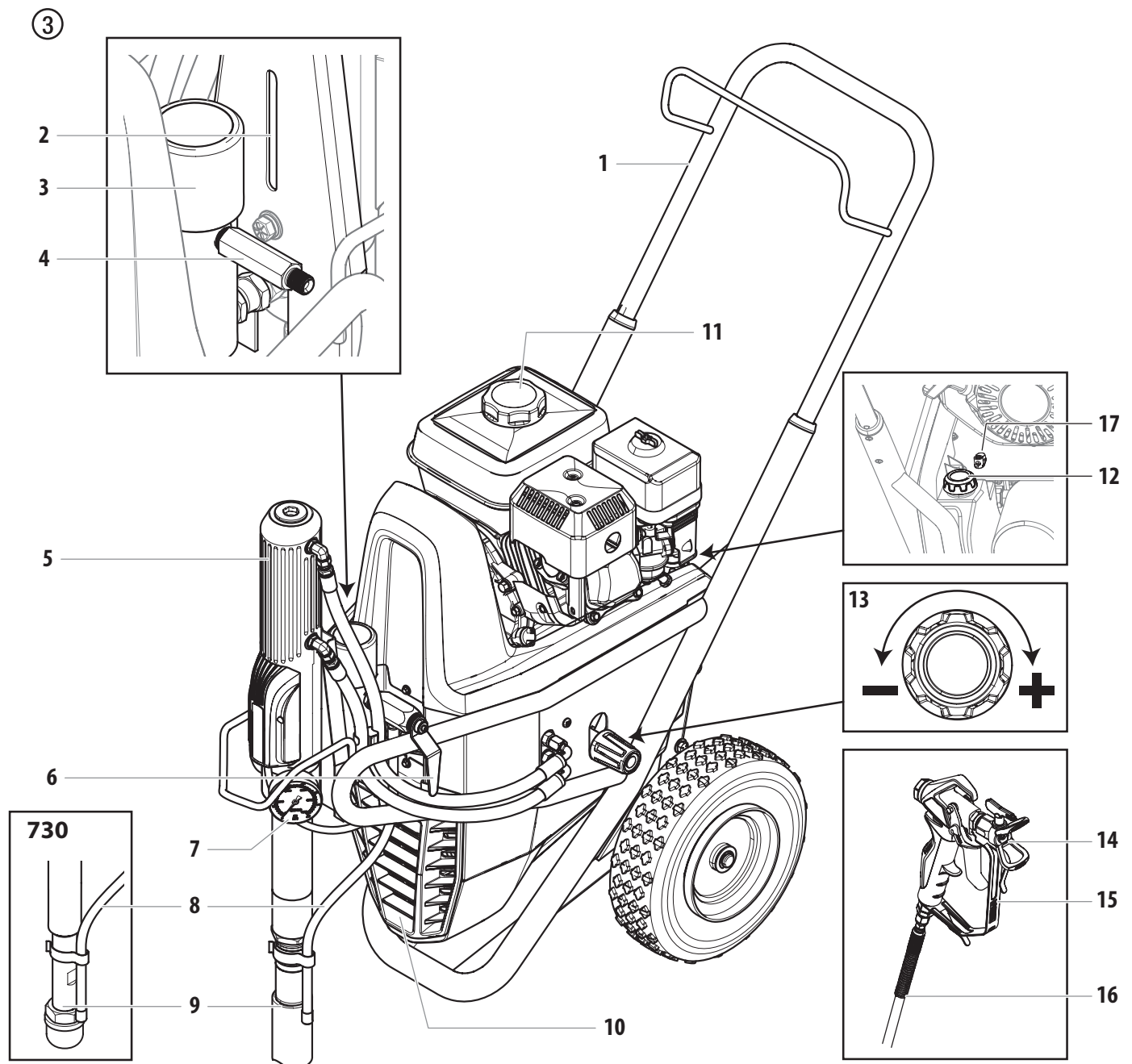
The coating material flows under high pressure through the high-pressure hose to the spray gun. When the coating material exits from the tip it atomizes.

The pressure control valve (7) controls the volume and the operating pressure of the coating material.



### 3.3 SYSTEM DIAGRAM - GASOLINE HEAVYCOAT UNITS

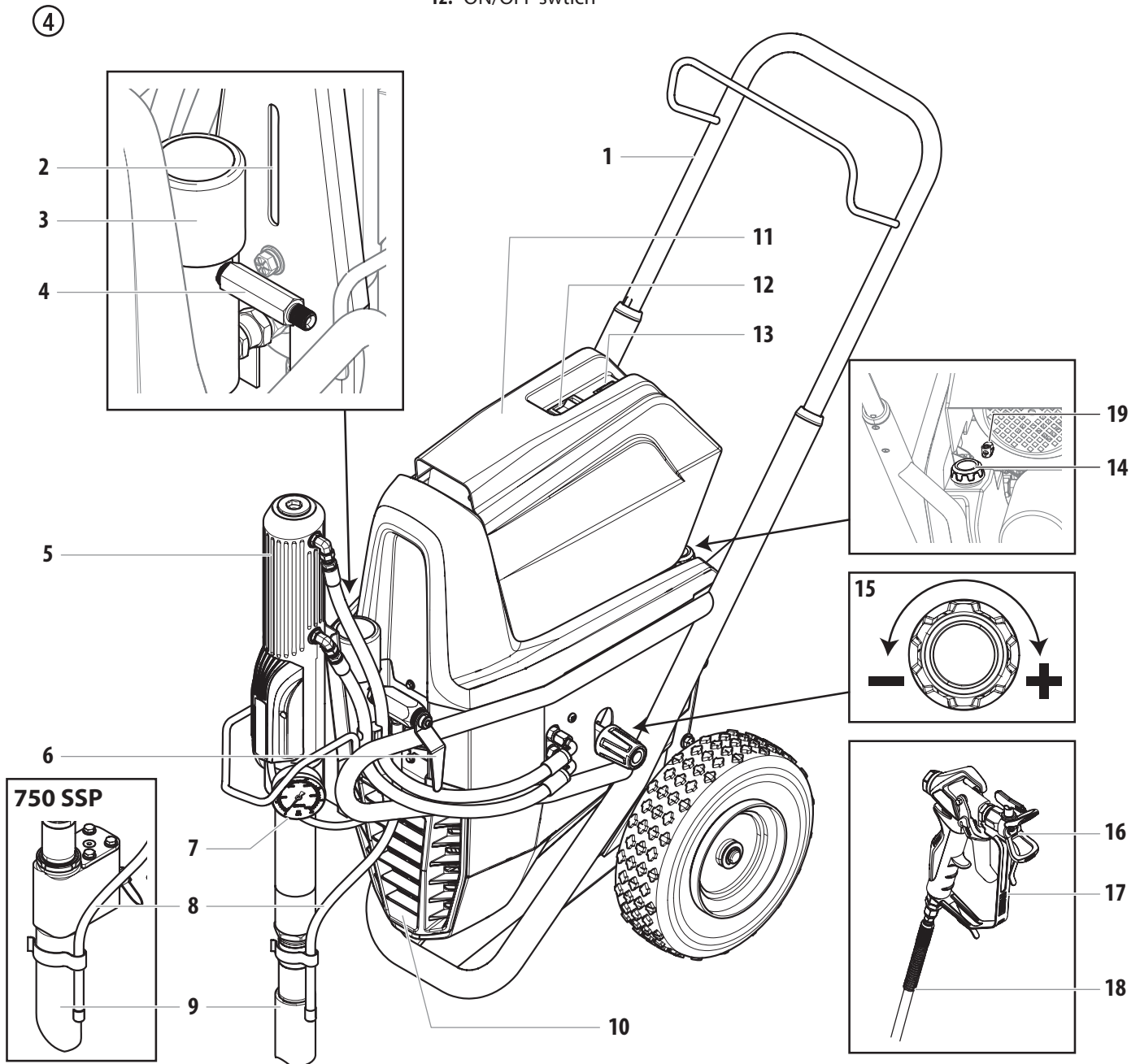
- |   |  |                                |
|---|--|--------------------------------|
| 1. Extractable handle   | 6. Relief valve handle:<br>Turn left for circulation ↻<br>Turn right for spray ➤ | 11. Gasoline engine            |
| 2. Oil cup for separating oil (separating oil prevents increased wear and tear of the packings) | 7. Manometer   | 12. Oil measuring stick        |
| 3. High-pressure filter   | 8. Bleed hose  | 13. Pressure control knob      |
| 4. High-pressure hose outlet  | 9. Suction tube  | 14. Tip guard with airless tip |
| 5. Hydraulic motor  | 10. V-belt under the belt cover  | 15. Spray gun                  |
|   |  | 16. High-pressure hose         |
|   |  | 17. Grounding lug              |





3.4 SYSTEM DIAGRAM - ELECTRIC HEAVYCOAT UNITS

- |   |  |  |
|---|--|--|
| 1. Extractable handle   | 6. Relief valve handle:<br>Turn left for circulation ↻<br>Turn right for spray ➤ | 13. Control lamp that shows unit operational |
| 2. Oil cup for separating oil (separating oil prevents increased wear and tear of the packings) | 7. Manometer   | 14. Oil measuring stick                      |
| 3. High-pressure filter   | 8. Bleed hose  | 15. Pressure control knob                    |
| 4. High-pressure hose outlet  | 9. Suction tube  | 16. Tip guard with airless tip               |
| 5. Hydraulic motor  | 10. V-belt under the belt cover  | 17. Spray gun                                |
|   | 11. Electric motor   | 18. High-pressure hose                       |
|   | 12. ON/OFF switch  | 19. Grounding lug                            |





## 3.5 TECHNICAL DATA

|   | HeavyCoat 730 (gas)                                    | HeavyCoat 750 (230V)          | HeavyCoat 750 SSP (230V)      | HeavyCoat 750 (gas)         | HeavyCoat 770 (gas)        |
|---|--|-------------------------------|-------------------------------|-----------------------------|----------------------------|
| <b>Gasoline engine, power</b>                   |  |                               |                               |                             |                            |
| Honda   | 163cc, 4.9 Hp, 3.6 kW                                  | -----                         | -----                         | 196cc, 5.6 Hp, 4.1 kW       | 270cc, 8.4 Hp, 6.2 kW      |
| <b>Fuel Capacity</b>                            |  |                               |                               |                             |                            |
|   | 3.1 l  | -----                         | -----                         | 3.1 l                       | 6.06 l                     |
| <b>Voltage</b>                                  |  |                               |                               |                             |                            |
|   | -----  | ~ 230V, 50/60 Hz              | ~ 230V, 50/60 Hz              | -----                       | -----                      |
| <b>Capacity</b>                                 |  |                               |                               |                             |                            |
|   | -----  | 3.1 kW                        | 3.1 kW                        | -----                       | -----                      |
| <b>Power Cord</b>                               |  |                               |                               |                             |                            |
|   | -----  | 3 x 2.5 mm <sup>2</sup> – 6 m | 3 x 2.5 mm <sup>2</sup> – 6 m | -----                       | -----                      |
| <b>Current Protection</b>                       |  |                               |                               |                             |                            |
|   | -----  | 15 A                          | 15 A                          | -----                       | -----                      |
| <b>Max. operating pressure</b>                  |  |                               |                               |                             |                            |
|   | 25 MPa (250 bar)                                       | 25 MPa (250 bar)              | 25 MPa (250 bar)              | 25 MPa (250 bar)            | 25 MPa (250 bar)           |
| <b>Max. sound pressure level</b>                |  |                               |                               |                             |                            |
|   | 92 dB (A)*   | 80 dB (A)*                    | 80 dB (A)*                    | 92 dB (A)*                  | 98 dB (A)*                 |
| <b>Max. size of tip with a spray gun</b>        |  |                               |                               |                             |                            |
| 1-gun   | 0.041" – 1.04 mm                                       | 0.043" – 1.09 mm              | 0.043" – 1.09 mm              | 0.047" – 1.19 mm            | 0.055" – 1.40 mm           |
| 2-gun   | 0.029" – 0.73 mm                                       | 0.031" – 0.79 mm              | 0.031" – 0.79 mm              | 0.033" – 0.84 mm            | 0.039" – 0.99 mm           |
| 3-gun   | 0.021" – 0.53 mm                                       | 0.023" – 0.58 mm              | 0.023" – 0.58 mm              | 0.027" – 0.68 mm            | 0.031" – 0.79 mm           |
| 4-gun   | 0.019" – 0.48 mm                                       | 0.021" – 0.53 mm              | 0.021" – 0.53 mm              | 0.023" – 0.58 mm            | 0.027" – 0.68 mm           |
| <b>Max. volume flow</b>                         |  |                               |                               |                             |                            |
|   | 6.00 l/min   | 6.00 l/min                    | 6.00 l/min                    | 7.60 l/min                  | 11.4 l/min                 |
| <b>Weight</b>                                   |  |                               |                               |                             |                            |
|   | 78 kg  | 85 kg                         | 87 kg                         | 81 kg                       | 90 kg                      |
| <b>Suction system</b>                           |  |                               |                               |                             |                            |
|   | standard   | submersible                   | shovel valve                  | submersible                 | submersible                |
| <b>Max. viscosity</b>                           |  |                               |                               |                             |                            |
|   | 50.000 mPa·s   |                               |                               | 65.000 mPa·s                |                            |
| <b>Dimensions L x W x H</b>                     |  |                               |                               |                             |                            |
|   | 1090 x 660 x 866 mm                                    |                               |                               |                             |                            |
| <b>Max. temperature of the coating material</b> |  |                               |                               |                             |                            |
|   | 43°C   |                               |                               |                             |                            |
| <b>Filter insert (standard equipment)</b>       |  |                               |                               |                             |                            |
|   | 50 mesh, 18 in <sup>2</sup>                            | 0 mesh, 18 in <sup>2</sup>    | 50 mesh, 18 in <sup>2</sup>   | 50 mesh, 18 in <sup>2</sup> | 5 mesh, 18 in <sup>2</sup> |
| <b>Hydraulic oil filling quantity</b>           |  |                               |                               |                             |                            |
|   | 5.9 l  |                               |                               |                             |                            |
| <b>Max. tire pressure</b>                       |  |                               |                               |                             |                            |
|   | 0.2 MPa (2 bar, 30 PSI)                                |                               |                               |                             |                            |
| <b>Special high-pressure hose</b>               |  |                               |                               |                             |                            |
|   | DN 6 mm, 15 m (50' x 1/4"), connection thread NPSM 1/4 |                               |                               |                             |                            |

\* Place of measurement: 1 m distance from unit and 1.60 m above reverberant floor, 120 bar (12 MPa) operating pressure.

### 3.6 TRANSPORTATION



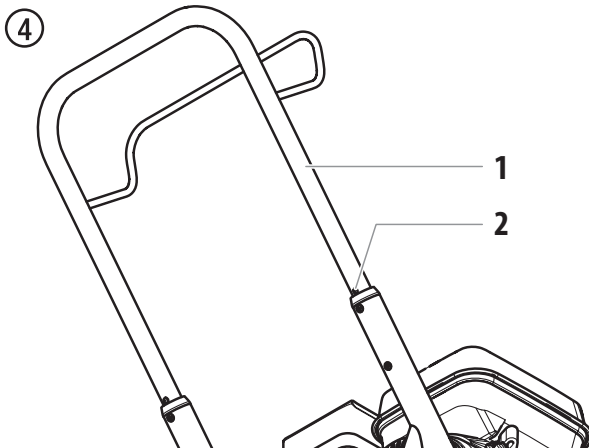
Do not lift by cart handle when loading or unloading.  
Device is very heavy. Three-person lift is required.

#### TRANSPORTATION IN VEHICLE

Secure the unit with a suitable fastening.

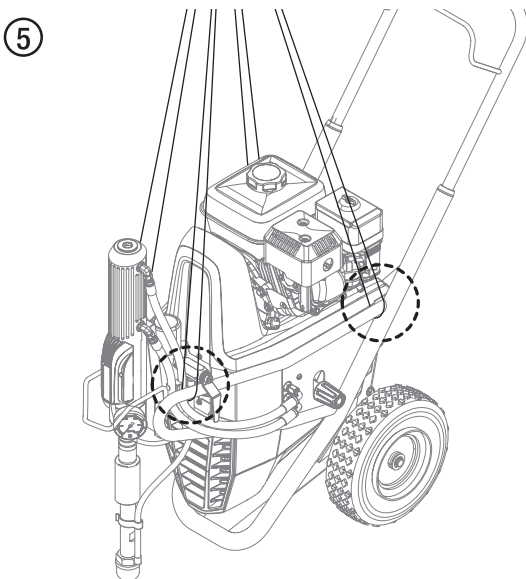
#### PUSHING OR PULLING THE UNIT

Pull out the handle (Fig. 4, Item 1) until it will come no further. Insert the handle – push the buttons (2) on the cart, and then push in the handle.



### 3.7 CRANE TRANSPORT

Hanging points for crane straps or ropes, see figure 5.



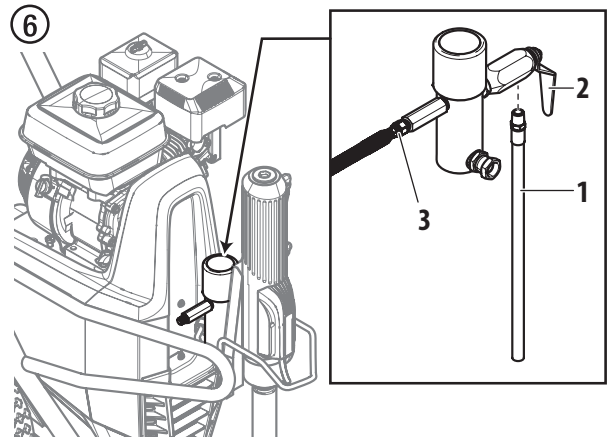
## 4 OPERATION



This equipment produces a fluid stream at extremely high pressure. Read and understand the warnings in the Safety Precautions section at the front of this manual before operating this equipment.

### 4.1 SETUP

1. Make sure the bleed hose (Fig. 6, item 1) is threaded into the bleed valve (2). It has factory installed PTFE tape on the fitting and should be tightened wrench tight.
2. Attach a minimum of 50' (15 m) of nylon airless spray hose (3) to the sprayer. Do not use PTFE tape or thread sealant on the spray hose connection.



3. Attach an airless spray gun to the spray hose. Do not attach the tip to the spray gun yet. Remove the tip if it is already attached.



For multiple gun operation, connect a multiple gun manifold to the single gun outlet. Connect a hose and gun to each outlet. Make sure the second gun outlet remains plugged. See "Technical Data", Section 3.5 to determine number of guns and maximum spray tip sizes.

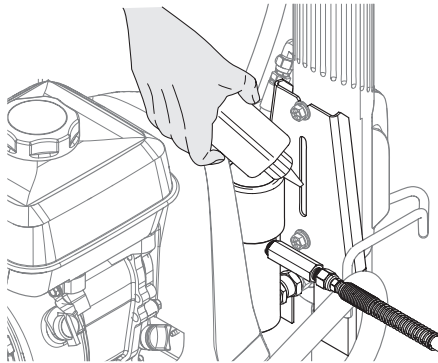


4. Fill the oil cup 1/2 full with EasyGlide (P/N 0508619). This extends packing life.



EasyGlide prevents increased wear and tear to the packings.

8



5. Check the hydraulic fluid level daily before starting the sprayer. The hydraulic fluid level should be touching the bottom of the dipstick. Refer to the Maintenance section of this manual for hydraulic system maintenance instructions.



Use of Wagner's Hydraulic Fluid (P/N 0555425) is mandatory in the hydraulic system. Do not use any other hydraulic fluid. Use of any other hydraulic fluid may seriously damage the hydraulic system and will void the warranty.

6. For gas models, check the engine oil level daily before starting the sprayer. The gasoline engine oil level is determined by the engine manufacturer. Refer to the engine manufacturer's service manual supplied with this sprayer.
7. For electric models, use a 15 amp service outlet. Always locate the electric model within 10 to 15 feet of the service outlet. Use a short electric cable and a long paint hose. Any extension cord will create some voltage drop. If an extension cord is necessary, use only a grounded 3-wire 12-gauge extension cord.
8. Make sure the sprayer is grounded/earthed. All sprayers are equipped with a grounding/earthing lug. A grounding/earthing cable should be used to connect the sprayer to a true earth ground. Check your local electrical regulations for detailed grounding/earthing instructions.



Proper grounding/earthing is important. The passage of some materials through the nylon fluid hose will build up a static electric charge, which if discharged, could ignite solvent vapors present and create an explosion.

9. Strain all paints with a nylon strainer to ensure trouble free operation and freedom from frequent cleaning of the suction filter and gun filter.
10. Make sure the spray area is well ventilated to prevent hazardous operation with volatile solvents or exhaust fumes.



If lacquer or other flammable materials are to be sprayed, ALWAYS locate the sprayer outside the immediate spraying area. Failure to do so may cause an explosion.

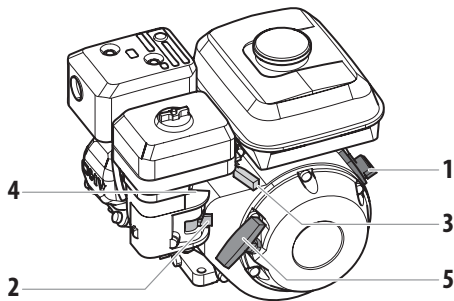
11. Locate the sprayer outside the immediate spraying area to avoid clogged air intake of the engine with overspray.

**4.2 STARTING THE ENGINE (GAS MODELS)**

**i** Follow these instructions whenever prompted in this manual to start the engine.

1. Move the fuel valve lever (Fig. 9, item 2) to the open position.
2. Move the throttle lever (3) to its middle point.
3. Move the choke lever (4) to the closed position for a cold engine or to the open position for a warm engine.
4. Turn the engine switch (1) to the ON position.
5. Pull the starter rope (5) briskly until the engine starts.

9



**i** If choke lever (4) was moved to closed position to start the engine, it must be opened again once the engine is running.

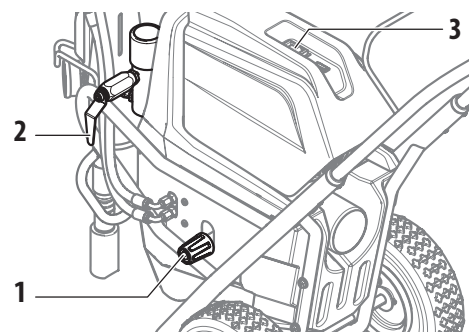
**4.3 PREPARING A NEW SPRAYER**

**i** If this unit is new, it is shipped with test fluid in the fluid section to prevent corrosion during shipment and storage. This fluid must be thoroughly cleaned out of the system with suitable cleaning agent before you begin spraying.

**Attention** Always keep the trigger lock on the spray gun in the locked position while preparing the system. Refer to the spray gun instruction manual for trigger lock instructions.



1. Place the siphon tube into a container of suitable cleaning agent.
2. Place the bleed hose into a metal waste container.
3. Turn the pressure control knob fully counterclockwise to its lowest pressure setting (Fig. 10, item 1).
4. Open the bleed valve (2) by turning it fully counterclockwise.

10

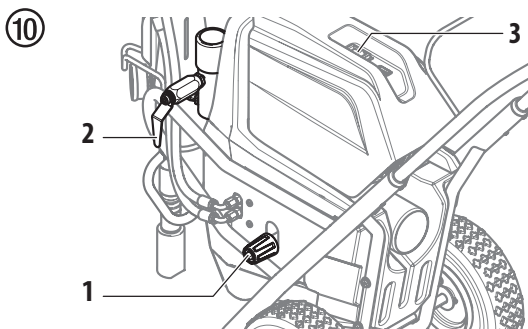


5. Start the engine or turn on the electric motor:
  - a. To start the gas engine, follow the steps in section 4.2
  - b. To start the electric motor, push and hold the ON/OFF switch (3) in the ON position until the electric motor is at full speed, then release the switch.
6. Turn the pressure control knob (fig. 10, item 1) clockwise approximately 1/3 of the way to increase pressure until the sprayer cycles evenly and solvent flows freely from the bleed hose.
7. Allow the sprayer to run for 15–30 seconds to flush the test fluid out through the bleed hose and into the waste container.
8. Turn off the sprayer.
  - a. To turn off the gas engine,
    - set the pressure to minimum by turning the pressure control knob fully counterclockwise,
    - move the throttle lever to the slow position, and
    - turn the engine switch to the OFF position.
  - b. To turn off the electric motor,
    - set the pressure to minimum by turning the pressure control knob fully counterclockwise,
    - move the ON/OFF switch to the OFF position.


#### 4.4 PREPARING TO PAINT

|  |   |
|--|---|
|               | <p>Before painting, it is important to make sure that the fluid in the system is compatible with the paint that is going to be used.</p> <p>Incompatible fluids and paint may cause the valves to become stuck closed, which would require disassembly and cleaning of the sprayer's fluid section.</p> |
| <br>Attention | <p>Always keep the trigger lock on the spray gun in the locked position while preparing the system. Refer to the spray gun instruction manual for trigger lock instructions.</p>  |


1. Place the siphon tube into a container of mineral spirits.
2. Place the bleed hose into a metal waste container.
3. Turn the pressure control knob fully counterclockwise to its lowest pressure setting (Fig. 10, item 1).
4. Open the bleed valve (2) by turning it fully counterclockwise.

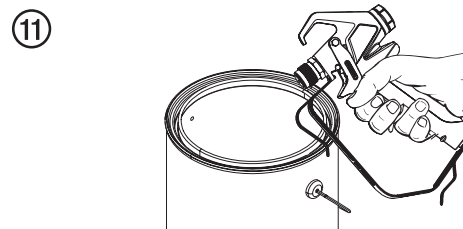


5. Start the engine or turn on the electric motor:
  - a. To start the gas engine, follow the steps in section 4.2
  - b. To start the electric motor, push and hold the ON/OFF switch (3) in the ON position until the electric motor is at full speed, then release the switch.
6. Turn the pressure control knob (Fig. 10, item 1) clockwise approximately 1/3 of the way to increase pressure until the sprayer cycles evenly and solvent flows freely from the bleed hose.
7. Allow the sprayer to run for 15–30 seconds to flush the test fluid out through the bleed hose and into the waste container.
8. Turn off the sprayer.
  - a. To turn off the gas engine,
    - set the pressure to minimum by turning the pressure control knob fully counterclockwise,
    - move the throttle lever to the slow position, and
    - turn the engine switch to the OFF position.
  - b. To turn off the electric motor,
    - set the pressure to minimum by turning the pressure control knob fully counterclockwise,
    - move the ON/OFF switch to the OFF position.


|   |   |
|---|---|
|  | <p>Make sure that the spray gun does not have a tip or tip guard installed.</p> |
|---|---|

9. Close the bleed valve by turning it fully clockwise.
10. Start the engine or turn on the electric motor.
11. Turn the pressure control knob clockwise approximately 1/3 of the way down to increase pressure.
12. Unlock the gun by turning the gun trigger lock to the unlocked position.

|   |   |
|---|---|
|  | <p>Ground/Earth the gun by holding it against the edge of the metal container while flushing. Failure to do so may lead to a static electric discharge, which may cause a fire.</p> |
|---|---|



13. Trigger the gun into the metal waste container until the old solvent is gone and fresh solvent is coming out of the gun.
14. Lock the gun by turning the gun trigger lock to the locked position (refer to spray gun manual).
15. Set down the gun and increase the pressure by turning the pressure control knob slowly clockwise to its highest setting.
16. Check the entire system for leaks. If leaks occur, turn the sprayer off and follow the "Pressure Relief Procedure" in this manual before tightening any fittings or hoses.
17. Follow the "Pressure Relief Procedure" (section 4.6) in this manual before changing from solvent to paint.

|   |  |
|---|--|
|  | <p>Be sure to follow the Pressure Relief Procedure when shutting the unit down for any purpose, including servicing or adjusting any part of the spray system, changing or cleaning spray nozzles, or preparing for cleanup.</p> |
|---|--|

## 4.5 PAINTING

1. Place the siphon hose into a container of paint.
2. Place the bleed hose into a metal waste container.
3. Turn the pressure control knob fully counterclockwise to its lowest pressure setting (Fig. 10, item 1).
4. Open the bleed valve (2) by turning it fully counterclockwise.
5. Start the engine or turn on the electric motor:
  - a. To start the gas engine, follow the steps in section 4.2
  - b. To start the electric motor, push and hold the ON/OFF switch (3) in the ON position until the electric motor is at full speed, then release the switch.
6. Turn the pressure control knob (Fig. 10, item 1) clockwise approximately 1/3 of the way down to increase pressure until the sprayer cycles evenly and solvent flows freely from the bleed hose.
7. Turn off the sprayer.
  - a. To turn off the gas engine,
    - set the pressure to minimum by turning the pressure control knob fully counterclockwise,
    - move the throttle lever to the slow position, and
    - turn the engine switch to the OFF position.
  - b. To turn off the electric motor,
    - set the pressure to minimum by turning the pressure control knob fully counterclockwise,
    - move the ON/OFF switch to the OFF position.
8. Remove the bleed hose from the waste container and place it into the container of paint.
9. Close the bleed valve by turning it fully clockwise.
10. Start the engine or turn on the electric motor.
11. Turn the pressure control knob clockwise approximately 1/3 of the way down to increase pressure.
12. Unlock the gun by turning the gun trigger lock to the unlocked position.



Ground/Earth the gun by holding it against the edge of the metal container while flushing. Failure to do so may lead to a static electric discharge, which may cause a fire.

13. Trigger the gun into the metal waste container until all air and solvent is flushed from the spray hose and paint is flowing freely from the gun.
14. Lock the gun by turning the gun trigger lock to the locked position.
15. Turn off the sprayer.
16. Attach tip guard and tip to the gun as instructed by the tip guard or tip manuals.



**POSSIBLE INJECTION HAZARD.** Do not spray without the tip guard in place. Never trigger the gun unless the tip is in either the spray or the unclog position. Always engage the gun trigger lock before removing, replacing or cleaning tip.

17. Start the engine or turn on the electric motor.
18. Increase the pressure by turning the pressure control knob slowly clockwise and test the spray pattern on a piece of cardboard. Adjust the pressure control knob until the spray from the gun is completely atomized.



Turning the pressure up higher than needed to atomize the paint will cause premature tip wear and additional overspray.

## 4.6 PRESSURE RELIEF PROCEDURE



Be sure to follow the Pressure Relief Procedure when shutting the unit down for any purpose, including servicing or adjusting any part of the spray system, changing or cleaning spray nozzles, or preparing for cleanup.

1. Lock the spray gun by turning the gun trigger lock to the locked position.
2. Turn off the sprayer.
  - a. To turn off the gas engine,
    - set the pressure to minimum by turning the pressure control knob fully counterclockwise,
    - move the throttle lever to the slow position, and
    - turn the engine switch to the OFF position.
  - b. To turn off the electric motor,
    - set the pressure to minimum by turning the pressure control knob fully counterclockwise,
    - move the ON/OFF switch to the OFF position.
3. Unlock the gun by turning the gun trigger lock to the unlocked position (refer to spray gun manual).
4. Hold the metal part of the gun firmly to the side of a metal waste container to ground/earth the gun and avoid a build up of static electricity.
5. Trigger the gun to remove any pressure that may still be in the hose.
6. Lock the gun by turning the gun trigger lock to the locked position (refer to spray gun manual).
7. Place the bleed hose into the metal waste container.
8. Open the bleed valve by turning it fully counterclockwise.

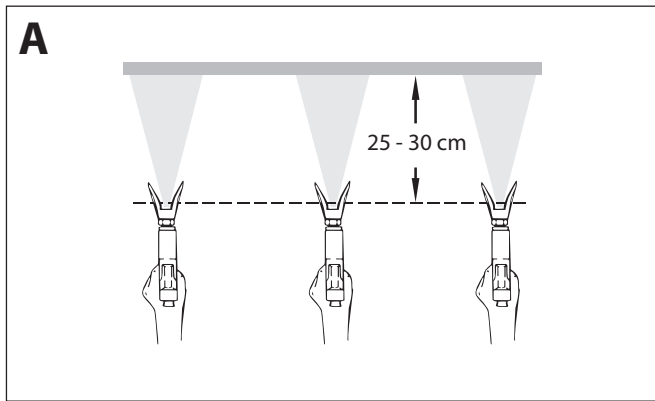


## 5 SPRAYING



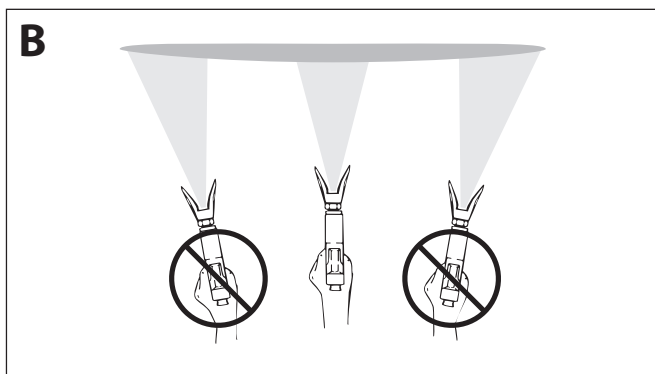
Injection hazard. Do not spray without the tip guard in place. NEVER trigger the gun unless the tip is completely turned to either the spray or the unclog position. ALWAYS engage the gun trigger lock before removing, replacing or cleaning tip.

- A)** The key to a good paint job is an even coating over the entire surface. Keep your arm moving at a constant speed and keep the spray gun at a constant distance from the surface. The best spraying distance is 10-12 inches (25 to 30 cm) between the spray tip and the surface.



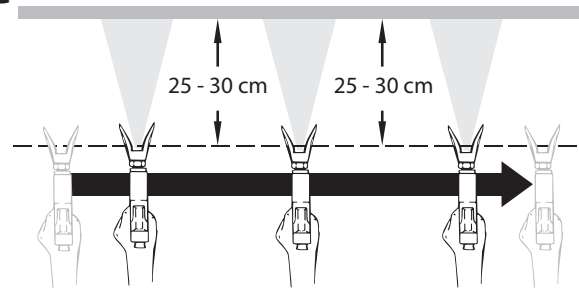
- B)** Keep the spray gun at right angles to the surface. This means moving your entire arm back and forth rather than just flexing your wrist.

Keep the spray gun perpendicular to the surface, otherwise one end of the pattern will be thicker than the other.



- C)** Trigger gun after starting the stroke. Release the trigger before ending the stroke. The spray gun should be moving when the trigger is pulled and released. Overlap each stroke by about 30%. This will ensure an even coating.

**C**



If very sharp edges result or if there are streaks in the spray jet – increase the operating pressure or dilute the coating material.

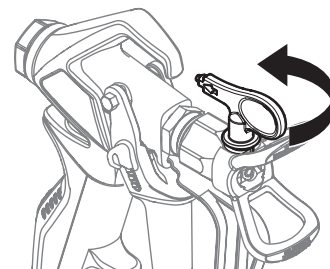
### 5.1 CLEANING A CLOGGED TIP



If the spray pattern becomes distorted or stops completely while pulling the trigger, perform the steps below.

1. Turn the relief valve to PRIME (↻ circulation).
2. If the tip clogs, rotate the tip handle 180° until the arrow on the handle is facing the opposite of the spray direction and the handle clicks in the reverse position (Fig. 12).
3. Turn the relief valve to SPRAY (↗ spray).

12





4. Trigger the gun once so that the pressure can blow the clog out. NEVER use the tip in the reverse position for more than ONE trigger pull at a time. This procedure can be repeated until the tip is free of clogging.





The flow from the spray tip is at very high pressure. Contact with any body part may be dangerous. Do not place finger on gun outlet. Do not point the gun at any person. Never operate the spray gun without the proper tip guard.





**5.2 INTERRUPTION OF WORK**

|   |   |
|---|---|
|  | Follow these steps if stopping work for up to 20 hours. Only follow these steps if you used latex - or water-based spray materials.   |
|  | If you are just simply swapping out material containers, turn the pressure control knob fully counterclockwise to minimum prior to changing the material container.<br><br>Turn pressure control knob clockwise to previous position when ready to resume spraying. |




1. Follow the "Pressure Relief Procedure" found in the Operation section of this manual, section 4.6.
2. Place the spray gun in a plastic bag, or drop it into a bucket of water.
3. Leave the suction tube and return hose immersed in the coating material or immerse it into a corresponding cleaning agent.
4. Cover the coating material with plastic and place unit in a cool, shaded spot to keep material from drying out.

|   |   |
|---|---|
| <br><b>Attention</b> | If fast-drying or two-component coating material is used, ensure that the unit is rinsed with a suitable cleaning agent within the processing time. |
|                      | When ready to being spraying again, remove the plastic from the material container and restart the sprayer by following the steps in section 4.5.   |



**5.3 HANDLING THE HIGH-PRESSURE HOSE**

|   |  |
|---|--|
|  | The unit is equipped with a high-pressure hose specially suited for airless pumps.   |
|  | Danger of injury through leaking high-pressure hose. Replace any damaged high-pressure hose immediately.<br><br>Never repair damaged high-pressure hoses yourself! |

The high-pressure hose is to be handled with care. Avoid sharp bends and folds: the smallest bending radius is about 8" (20 cm). Do not drive over the high-pressure hose. Protect against sharp objects and edges.  
  
Never pull on the high-pressure hose to move the device.  
  
Make sure that the high-pressure hose cannot twist. This can be avoided by using a Wagner spray gun with a swivel joint and hose system.

|   |   |
|---|---|
|  | When using the high-pressure hose while working on scaffolding, it is best to always guide the hose along the outside of the scaffolding. |
|  | The risk of damage rises with the age of the high-pressure hose. Wagner recommends replacing high-pressure hoses after 6 years.           |
|  | Use only Wagner original-high-pressure hoses in order to ensure functionality, safety and durability.                                     |

## 6 CLEANUP


|   |   |
|---|---|
| <br><b>Attention</b> | <p>The sprayer, hose, and gun should be cleaned thoroughly after daily use. Failure to do so permits material to build up, seriously affecting the performance of the unit.</p>   |
|                      | <p>Always spray at minimum pressure with the gun nozzle tip removed when using mineral spirits or any other solvent to clean the sprayer, hose, or gun. Static electricity buildup may result in a fire or explosion in the presence of flammable vapors.</p> |

### 6.1 SPECIAL CLEANUP INSTRUCTIONS FOR USE WITH FLAMMABLE SOLVENTS

- Always flush spray gun preferably outside and at least one hose length from spray pump.
- If collecting flushed solvents in a one gallon metal container, place it into an empty five gallon container, then flush solvents.
- Area must be free of flammable vapors.
- Follow all cleanup instructions.


### 6.2 CLEANING THE SPRAYER

1. Follow the "Pressure Relief Procedure" found in the Operation section of this manual, section 4.6.
2. Remove the gun tip and tip guard and clean with a brush using the appropriate solvent.
3. Place the siphon tube into a container of the appropriate solvent.


|   |   |
|---|---|
| <br><b>Attention</b> | <p>Use only compatible solvents when cleaning. Check with the fluid manufacturer for the recommended solvent.</p> |
|---|---|

4. Place the bleed hose into a metal waste container.
5. Set the pressure to minimum by turning the pressure control knob fully counterclockwise.
6. Open the bleed valve by rotating the bleed valve handle fully counterclockwise.
7. Start the engine or turn on the electric motor.
8. Allow the solvent to circulate through the sprayer and flush the paint out of the bleed hose into the metal waste container.


9. Switch the unit OFF (turn the engine switch OFF).
10. Close the bleed valve by rotating the bleed valve handle fully clockwise.
11. Start the engine or turn on the electric motor.

|   |  |
|---|--|
|  | <p>Earth the gun by holding it against the edge of the metal container while flushing. Failure to do so may lead to a static electric discharge, which may cause a fire.</p> |
|---|--|


12. Trigger the gun into the metal waste container until the paint is flushed out of the hose and solvent is coming out of the gun.
13. Continue to trigger the spray gun into the waste container until the solvent coming out of the gun is clean.


|  |   |
|--|---|
|  | <p>For long-term or cold weather storage, pump mineral spirits through the entire system.</p> |
|--|---|

14. Follow the "Pressure Relief Procedure" found in the Operation section of this manual.
15. Store the sprayer in a clean, dry area.

|   |   |
|---|---|
| <br><b>Attention</b> | <p>Do not store the sprayer under pressure.</p> |
|---|---|

### 6.3 CLEANING THE OUTSIDE OF THE UNIT

|   |   |
|---|---|
|  | <p>Electric models - Make sure the power cord is unplugged to prevent electric shock.</p> |
|---|---|

|   |   |
|---|---|
| <br><b>Attention</b> | <p>Danger of short circuit through penetrating water!<br/>                 Never spray down the unit with high-pressure water or high-pressure steam cleaners.<br/>                 Do not put the high-pressure hose into solvents. Use only a wet cloth to wipe down the outside of the hose.</p> |
|---|---|

Wipe down unit externally with a cloth which has been immersed in a suitable cleaning agent.

### 6.4 CLEANING THE FILTER SCREEN

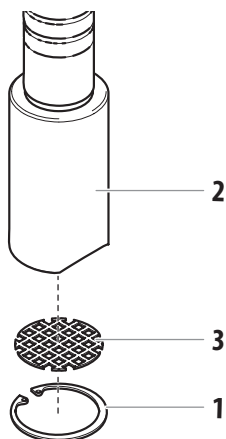


A clean filter screen always guarantees maximum feed quantity, constant spraying pressure and problem-free functioning of the unit.

#### SUBMERSIBLE SUCTION SYSTEM

1. The filter screen will clog and must be cleaned at least once a day.
2. Remove the retaining ring (Fig. 13, item 1) from the foot valve housing (2).
3. Remove the inlet screen (3) from the foot valve housing (2).
4. Clean thoroughly with the appropriate solvent.

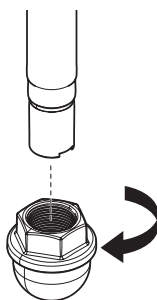
13



#### STANDARD SUCTION SYSTEM

1. Screw off the filter (Fig. 14) from suction tube.
  2. Clean or replace the filter.
- Carry out cleaning with a hard brush and an appropriate cleaning agent.

14



### 6.5 CLEANING AIRLESS SPRAY GUN



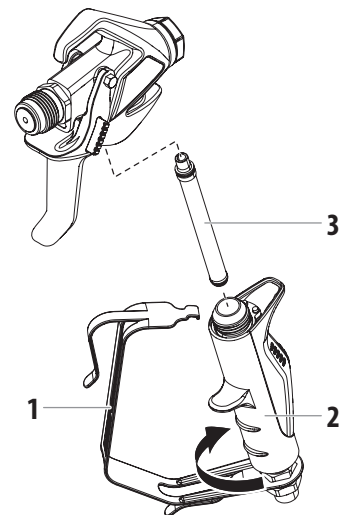
Clean the spray gun after each use.

1. Rinse airless spray gun with an appropriate cleaning agent.
2. Clean tip thoroughly with appropriate cleaning agent so that no coating material residue remains.
3. Thoroughly clean the outside of the airless spray gun.

#### INTAKE FILTER IN AIRLESS SPRAY GUN (FIG. 15)

1. Unclip the top of the trigger guard (1) from the gun head.
2. Using the bottom of the trigger guard as a wrench, loosen and remove the handle assembly (2) from the gun head.
3. Pull the old filter (3) out of the gun head. Clean or replace.
4. Slide the new filter, tapered end first, into the gun head.
5. Thread the handle assembly into the gun head. Tighten with the trigger wrench.
6. Snap the trigger guard back onto the gun head.

15



## 7 MAINTENANCE



Before proceeding, follow the Pressure Relief Procedure outlined previously in this manual. Additionally, follow all other warnings to reduce the risk of an injection injury, injury from moving parts or electric shock. Always unplug the sprayer before servicing!

### 7.1 DAILY MAINTENANCE

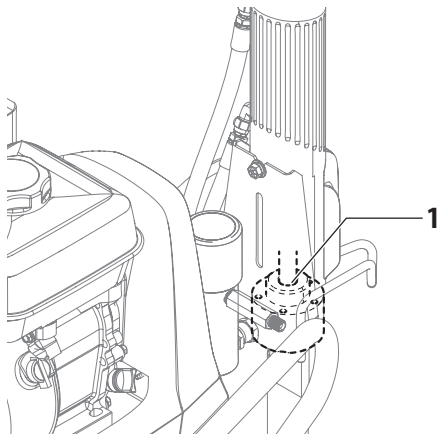
Two daily procedures are required for routine operator maintenance on this sprayer:

- A. Lubricating the upper packings (section 7.2).
- B. Cleaning the filter screen (section 6.4).

### 7.2 LUBRICATING THE UPPER PACKINGS

1. Clean out the paint that has seeped past the upper packings into the packing oil reservoir (fig. 16, item 1) above the fluid section.
2. Fill the packing oil reservoir 1/2 full with EasyGlide (P/N 0508619) supplied by the factory. This will extend packing life.

16



Do not over-fill the reservoir so that it overflows and drips into the paint.

### 7.3 MAINTAINING THE FILTER ASSEMBLY



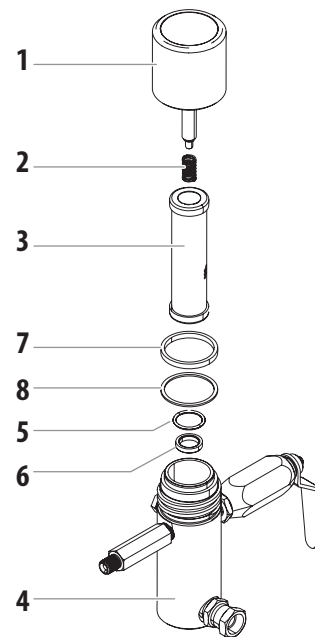
Clean the filter regularly. Dirty or clogged filters can greatly reduce filtering ability and cause a number of system problems including poor spray patterns, clogged spray tips, etc.

#### CLEANING (FIG. 17)

To clean the filter, perform the following procedure.

1. Follow the "Pressure Relief Procedure" found in the Operation section of this manual.
2. Remove the filter cap assembly (1) and spring (2).
3. Pull the filter element with ball straight (3) out of the filter body (4).
4. Clean inside the filter body, filter element with ball, and filter cap assembly using the appropriate solvent.

17



Use care in handling parts as dirt, debris, scratches, or nicks may prevent o-rings or gaskets from sealing.

This filter element filters from the inside out. Be sure to clean the filter element thoroughly on the inside. Soak in solvent to loosen hardened paint or replace.

**INSPECTION (FIG. 17)**

Inspect all parts of the filter assembly before reassembly.

1. Inspect the ball inside the filter element. If the ball has pressure cuts or scratches, replace the filter element.
  - a. If the ball is cut, remove the PTFE o-ring (5) using an o-ring pick and remove the carbide seat (6).
  - b. Check the seat for nicks or grooves. If the seat is damaged, replace.

|          |  |
|----------|--|
| <b>i</b> | Removal of the PTFE o-ring will damage the o-ring and require replacement. |
|----------|--|

2. Remove the spring (2) from the spring guide on the filter cap.
  - a. Measure the length of the spring uncompressed. If it measures less than 3/4" from end to end, replace.
  - b. Push the spring back onto the spring guide until it "snaps" back into position.
3. Inspect the two PTFE gaskets (7,8) and the PTFE o-ring (5) for deformity, nicks, or cuts. Replace, if needed.

|          |   |
|----------|---|
| <b>i</b> | The PTFE gaskets, PTFE o-ring, and spring are packaged in Filter Service Kit P/N 930-050. |
|----------|---|

**REASSEMBLY (FIG. 17)**


After cleaning and inspecting all parts, reassemble the filter.

1. Place the carbide seat (6) into the filter body (4). Make sure the beveled side of the seat is facing up.
2. Place the PTFE o-ring (5) into the groove on the outer diameter of the carbide seat (6).
3. Place the filter element with ball (3) into the filter body (4).

|          |   |
|----------|---|
| <b>i</b> | The top and bottom of the filter element with ball are identical. |
|----------|---|

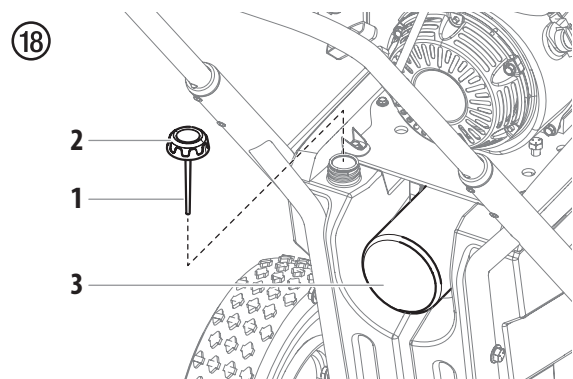
4. Push the spring (2) back onto the spring guide of the filter cap (1) until it "snaps" back into position, if not already done.
5. Place the thin PTFE gasket (8) onto the step at the top of the filter body (4).
6. Place the thick PTFE gasket (7) onto the top of the thin gasket (8).
7. Tighten the filter cap assembly (1) onto the filter body (4).

**7.4 MAINTAINING THE HYDRAULIC SYSTEM**

|   |  |
|---|--|
| <br><b>Attention</b> | Use of Wagner's Hydraulic Fluid is mandatory in the HeavyCoat hydraulic system. Do not use any other hydraulic fluid. Use of any other hydraulic fluid may seriously damage the hydraulic system and will void the warranty. |
|---|--|

1. Check the hydraulic fluid daily. The hydraulic fluid level should be touching the bottom of the dipstick (1). If it is dry, add only Wagner Hydraulic Fluid (P/N 0555425). Never add or change hydraulic fluid except in a clean, dust-free area. Contamination of the hydraulic fluid will shorten hydraulic pump life and may void warranty.

|          |   |
|----------|---|
| <b>i</b> | Make sure the unit is on a flat, level surface when checking the hydraulic fluid level. |
|----------|---|



2. Change the hydraulic fluid every twelve months. Drain the old fluid from the tank and fill with 5.9 liters of hydraulic fluid. Start the sprayer at just enough pressure to operate the fluid section. Run the sprayer at this low pressure for at least 5 minutes. This removes air from the system. Check the fluid level after this procedure. Do not over-fill.

|          |  |
|----------|--|
| <b>i</b> | When replacing the hydraulic filter (3) during a fluid change, it may be necessary to add up to one additional quart of hydraulic fluid. |
|----------|--|

3. The hydraulic system has an external, replaceable hydraulic filter. Change the filter every twelve months.
4. The hydraulic pump should not be serviced in the field. If service on the hydraulic pump is required, it must be returned to an authorized Wagner Service Center.



**7.5 MAINTAINING THE FLUID SECTION**

If the sprayer is going to be out of service for an extended period of time, it is recommended that following cleanup, a kerosene and oil mixture be introduced as a preservative. Packings may tend to dry out from lack of use. This is particularly true of the upper packing set for which upper packing lubricant EasyGlide (P/N 0508619) is recommended in normal usage.

If the sprayer has been out of service for an extended period of time, it may be necessary to prime the pump with solvent. It is extremely important that the threads on the siphon hose coupling are properly sealed. Any air leakage will produce erratic operation of the sprayer and may damage the system. The up and the down strokes should be approximately equal in time (one should not be faster than the other). A fast up or down stroke may indicate air in the system or malfunctioning valve or seats (see the Troubleshooting section).

**7.6 HIGH-PRESSURE HOSE**

Inspect the high-pressure hose visually for any notches or bulges, in particular at the transition in the fittings. It must be possible to turn the union nuts freely. A conductivity of less than 1 MΩ must exist across the entire length.

|   |  |
|---|--|
| <br><b>Attention</b> | Have all the electric tests carried by an Authorized Wagner Service Center.  |
|                      | The risk of damage rises with the age of the high-pressure hose.<br>Wagner recommends replacing high-pressure hoses after 6 years. |

## 7.7 BASIC ENGINE MAINTENANCE (GAS ENGINE)

- For detailed engine maintenance and technical specifications refer to the separate gasoline engine manual.
- All service to the engine should be performed by a dealer authorized by the engine manufacturer.

### DAILY

1. Check engine oil level, and fill as necessary.
2. Check gasoline level, and fill as necessary.



Always follow the fueling procedure outlined earlier in this manual.

### FIRST 20 HOURS

- Change engine oil.

### EVERY 100 HOURS

- Change engine oil.
- Clean the sediment cup.
- Clean and re-gap the spark plug.
- Clean the spark arrestor.

### WEEKLY



- Remove the air filter cover and clean the element. In very dusty environments, check the filter daily. Replace the element as needed. Replacement elements can be purchased from your local engine manufacturer dealer.

### ENGINE OPERATION AND SERVICE

- Clean and oil air filter pad on gasoline engine every 25 hours or once weekly. Do not permit the air intake screen around the fly wheel of the gas engine to load up with paint or trash. Clean it regularly. The service life and efficiency of the gas engine model depends upon keeping the gasoline engine running properly. Change the oil in the engine every 100 hours. Failure to observe this may result in engine overheating. Consult the engine manufacturer's service manual provided.
- To conserve fuel, service life, and efficiency of the sprayer, always operate the gasoline engine at the lowest RPM at which it runs smoothly without laboring and delivers the amount required for the particular painting operation. Higher RPM does not produce higher working pressure. The gasoline engine is connected to the hydraulic pump by a pulley combination designed to produce full paint delivery at maximum RPM.
- The warranty on gasoline engines or electric motors is limited to the original manufacturer.



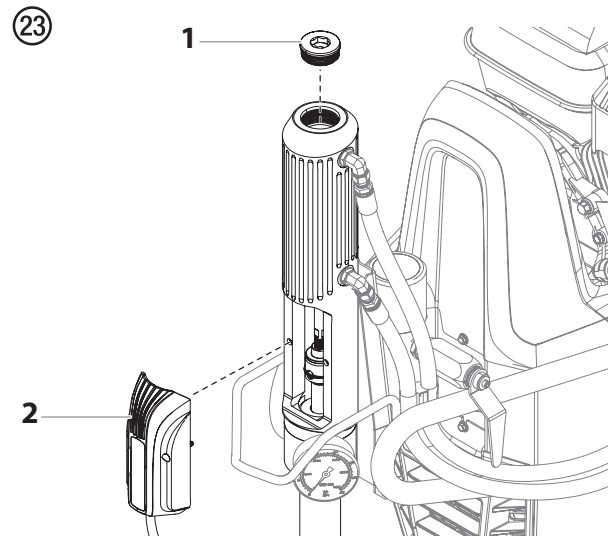
### 7.8 SERVICING THE HYDRAULIC MOTOR

|  |  |
|--|--|
|  <p><b>Attention</b></p> | <p>Servicing of the hydraulic motor should be carried out in a clean, dust free area only. Any dust or metallic particles left in the motor or entering it on reassembly may damage the critical parts and affect its service life and warranty. All parts should be inspected for absolute cleanliness.</p> |
|                          | <p>In order to service the hydraulic motor, it is recommended that the piston be set in the middle of its stroke. Follow the steps below.</p>  |


1. Turn the pressure control knob all the way counterclockwise to the lowest setting.
2. With the fluid section submersed in a bucket of water, start the engine or turn on the electric motor.
3. Turn the pressure control knob clockwise 1-2 full turns.
4. Once the pump is primed, turn the relief valve to SPRAY.
5. While watching the piston stroke from the window on the back side of the motor/pump and using the smallest tip available (for slowest piston speed possible), spray water back in to the bucket (or other waste container). Stop spraying when the piston is in the desired location.
6. Turn off the engine or electric motor.
7. Continue by following the steps below.

#### DISASSEMBLING THE HYDRAULIC MOTOR

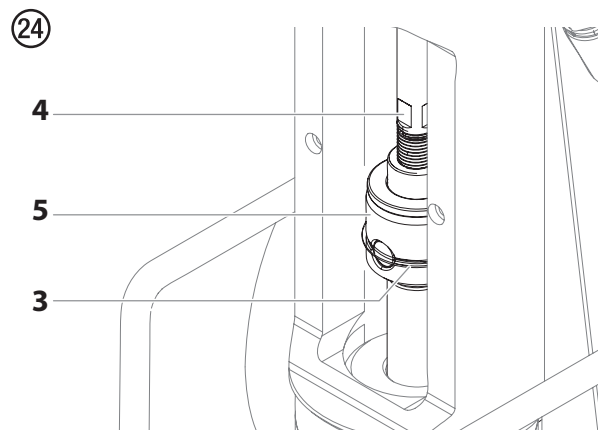
1. Using a hex wrench, loosen the captive screws that secure the PCB board assembly (Fig. 23, item 1) to the hydraulic motor cylinder. Once removed, the board can hang by its cord.
2. Remove the cylinder head plug (2) from the hydraulic motor cylinder.




3. Using a syringe or sponge, soak up any excess hydraulic fluid in the cavity left by removing the cylinder head plug.
4. In the access area left by the removal of the PCB board assembly, locate the flats on the bottom of the hydraulic piston (Fig. 24, item 3). Place a wrench on the hydraulic piston flats.
5. Slide the retaining ring (4) on the piston coupler (5) up to clear it of the coupler holes.
6. Carefully insert a screwdriver into one of the open holes of the piston coupler (5) to secure it.


|   |   |
|---|---|
|  | <p>You may need to twist the entire hydraulic piston (4) and coupler (5) assembly slightly with the wrench to gain access to one of the open holes.</p> |
|---|---|

7. Loosen the hydraulic piston (4) from the coupler (5) using the wrench on the flats of the hydraulic piston (4).



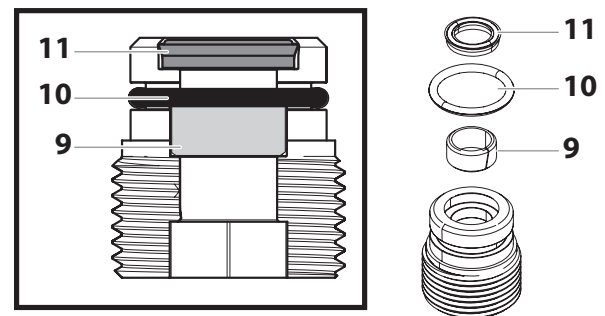
8. Lightly thread a 1/4 - 20 screw into the top of the hydraulic piston (Fig. 25, item 4). Using the screw, pull the piston from the top of the hydraulic motor cylinder.
9. Carefully remove the seal (6) and wear ring (7) from the piston. Replace with new parts from the kit.

|   |  |
|---|--|
| <br><b>Attention</b> | Remove these parts very carefully. Do not scratch any metal surface of the plug assembly |
|---|--|

|   |  |
|---|--|
|  | Be sure to coat the the new seal and wear ring with hydraulic oil prior to reinstallation. |
|---|--|


12. Soak the new parts from the kit in hydraulic oil and reinstall back onto the plug.

(27)



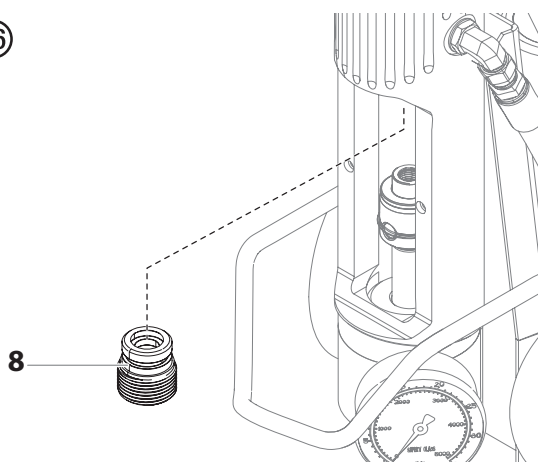
**REASSEMBLING THE HYDRAULIC MOTOR**

1. Replace the plug assembly (8) into the interior of the hydraulic motor cylinder. Tighten with the L-shaped hex wrench.

|   |  |
|---|--|
|  | Inspect the bottom of the hydraulic piston for any sharp areas that could damage the piston seal (11) during reinstallation. |
|---|--|


10. Using an L-shaped hex wrench, unthread the plug assembly (Fig. 26, item 8) from the inside of the hydraulic motor cylinder.

(26)



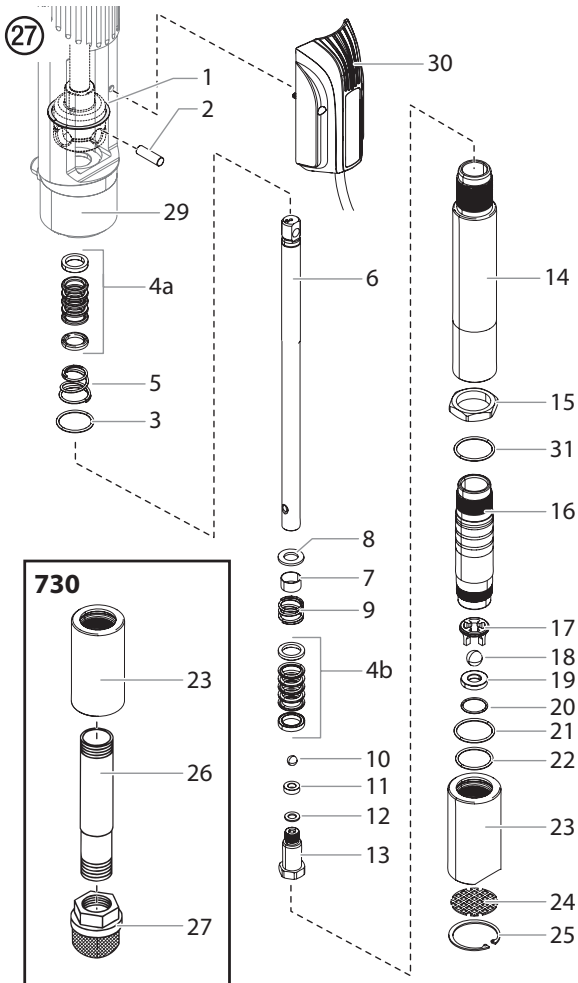
2. Replace the hydraulic piston (4) back into the top of the hydraulic motor cylinder. Using a rubber mallet, carefully tap the piston down into the cylinder until the flats are visible in the access area above the piston coupler (5).
3. Remove the 1/4 - 20 screw from the top of the piston assembly.
4. Using a screwdriver in the open hole of the piston coupler (5) and a wrench on the flats of the hydraulic piston (4), reattach the two parts and tighten.
5. Slide the retaining ring on the coupler back in place.
6. Replace the cylinder head plug (2).
7. Replace the PCB board assembly (1).

11. Carefully remove the wear ring (Fig. 27, item 9), O-ring (10), and cup seal with O-ring (11) from the plug.

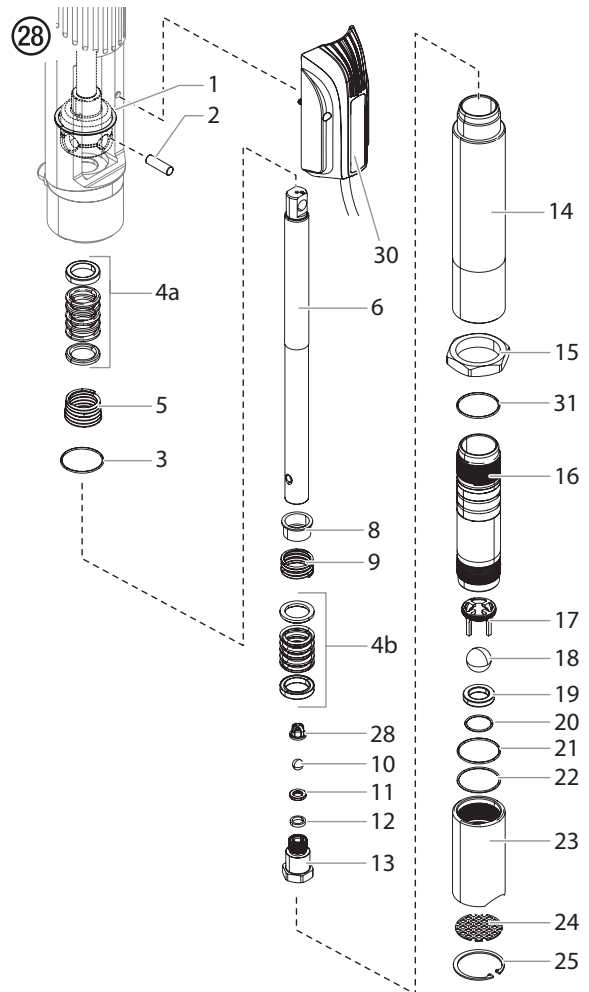
|   |  |
|---|--|
|  | Once this repair is complete, start the engine or turn on the electric motor. Allow the unit to run for a few minutes and then shut it down. Immediately check the hydraulic oil level and refill if needed. |
|---|--|

## 7.9 SERVICING THE FLUID SECTION

### HEAVYCOAT 730



### HEAVYCOAT 750 / HEAVYCOAT 770



Attention

Use of non-Wagner service parts may void warranty. Ask for original parts made by Wagner for best services. This pump should receive a routine servicing after approximately 1,000 hours of use. Earlier servicing is required if there is excessive leakage from the top packing or if pump strokes become faster on one stroke or the other. The use of Wagner EasyGlide (P/N 0508619) is recommended as an upper packing lubricant. Do not substitute oil, water, or solvent for an upper packing lubricant.

### DISASSEMBLING THE FLUID SECTION

1. Using a hex wrench, loosen the captive screws that secure the PCB board assembly (Fig. 27, item 30) to the hydraulic motor cylinder. Once removed, the board can hang by its cord.
2. Slide the retainer ring (1) up with a small screwdriver, then push the connecting pin (2) out.

3. **HeavyCoat 730** - Remove the siphon tube (26).
4. Spin the fluid section removal nut (15) counterclockwise so that it bottoms out on the threads on the cylinder (16).
5. Place a wrench on the flats of the fluid section removal nut (15). Turn the wrench counterclockwise to loosen the entire fluid section.
6. Carefully pull down the fluid section to remove from the hydraulic motor.
7. In order to service the fluid section, stabilize it by securing the flats of the fluid section removal nut (15) in a vise.
8. Unthread the foot valve housing (23) with a strap wrench.
9. Remove upper packing spring (5), and upper packing set (4a) from the motor/pump block.
10. Place a wrench on the flats on top of the displacement rod (6). Using a second wrench, loosen and remove the outlet valve housing (13) from the displacement rod (6).
11. Remove the seal washer (12), outlet valve seat (11), outlet valve ball (10), outlet valve cage (28, HeavyCoat 750 /

HeavyCoat 770 only), lower packing set (4b), lower packing spring (9) and spring retainer (8).

12. Using a 1/2" extension bar attached to a 1/2" drive ratchet, insert the end of the extension bar into the square opening of the foot valve cage (17) inside the foot valve housing (23). Unscrew and remove the foot valve cage from the foot valve housing.
13. Remove the PTFE o-ring (22), foot valve ball (18), foot valve seat (19), and seat o-ring (20) from the foot valve housing (23).
14. Remove the o-ring (21) from the pump cylinder (16)

7. Clean the threads on the outlet valve housing (13) and coat the threads with blue Loctite #242. Make sure the Loctite is only on the threads.
8. Place the lower packing spring (9) onto the outlet valve housing (13) followed by the spring retainer (8).
9. Screw the displacement rod (6) and the outlet valve housing (13) together. Tighten in a vise to 50 ft./lbs. (68 Nm).
10. Insert the PTFE o-ring (3) into the upper groove of the motor/pump block.
11. Insert the upper packing set (4a) into the motor/pump block with the peak of the "V" packings pointing up toward the motor.

## REASSEMBLING THE FLUID SECTION



Use PTFE tape on all threaded pipe connections.

1. Place a new seat o-ring (20) into the groove in the bottom of the foot valve housing (23).
2. Inspect the foot valve seat (19) for wear. If one side is worn, flip the seat to the unused side. If both sides are worn, install a new seat. Place the new or flipped seat (worn side down) into the bore at the bottom of the foot valve housing (23).
3. Place a new foot valve ball (18) onto the foot valve seat (19). Using a 1/2" extension bar attached to a 1/2" drive ratchet, insert the end of the extension bar into the square opening of the foot valve cage (17) and screw the foot valve cage into the foot valve housing (23). Torque the cage to 240 in./lbs. (20 ft./lbs.).
4. Insert a new PTFE o-ring (22) into the groove of the foot valve housing (23). Lubricate the o-ring using oil or grease.
5. After soaking the leather packings in oil (preferably linseed oil), reassemble the lower packing set (4b). Place the set onto the outlet valve housing (13) with the peak of the "V" packings pointing down toward the hex on the outlet valve housing.



All leather packings must be soaked in hydraulic oil for 15–20 minutes before installation. Soaking the packings too long will cause the packings to swell and create difficulty during reassembly.

6. Inspect the outlet valve seat (11) for wear. If one side is worn, flip the seat to the unused side. If both sides are worn, use a new seat. Insert the outlet valve cage (28, HeavyCoat 750 / 770 only) outlet valve ball (10), new or flipped seat (worn side away from ball), and a new seal washer (12) into the displacement rod (6).



The packings must be soaked in hydraulic oil before installation.



12. Place the upper packing spring (5) into the motor/pump block with the small tapered end facing up toward the motor/pump block.
13. Insert the displacement rod (6) up through the upper packings in the motor/pump block.
14. Align the holes in the displacement rod (6) and the hydraulic piston rod and insert the connecting pin (2). Replace the retaining ring (1) over the connecting pin.
15. **HeavyCoat 730** - Thread the long threads of the pump cylinder (16) into the motor/pump block and tighten with a strap wrench.
16. Thread the male threads of the cylinder spacer (14) into the motor/pump block and tighten with a strap wrench. Thread the long threads of the pump cylinder (16) into the cylinder spacer (14) and tighten with a strap wrench.
17. Place the o-ring (21) onto the top groove of the pump cylinder (16).
18. Thread the foot valve housing (23) onto the pump cylinder (16), tighten with a strap wrench.
19. **HeavyCoat 730** - Install the siphon tube (26).



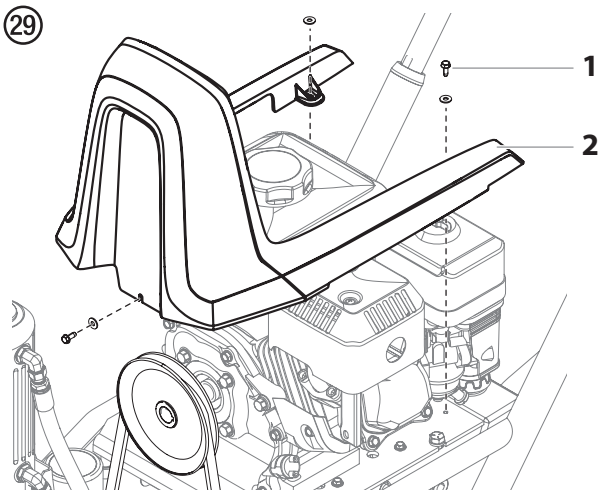
It is not necessary to over-tighten the foot valve housing. O-ring seals perform sealing function without excessive tightening. Full thread engagement is sufficient.

**HeavyCoat 730** - For siphon tube attachment, it is critically important that the threads of the siphon tube fit snugly into the foot valve housing with the tube PTFE taped and sealed to prevent air leakage.

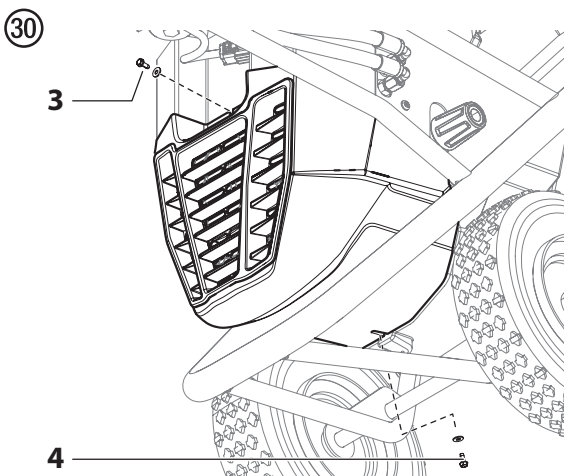
**7.10 REPLACING THE BELT**

|   |   |
|---|---|
|  | Before replacing the belt on your unit, make sure you have performed the "Pressure Relief Procedure" as illustrated in the Operation section of this manual. <b>DO NOT</b> attempt this repair while the unit is running. |
|  | The graphics below show a unit with a gas engine. All instructions given in this section will apply to both gas engine models and electric motor models except where noted.   |

1. Remove the three screws and washers (1) that secure the top shroud (2) to the cart frame. Remove the shroud.




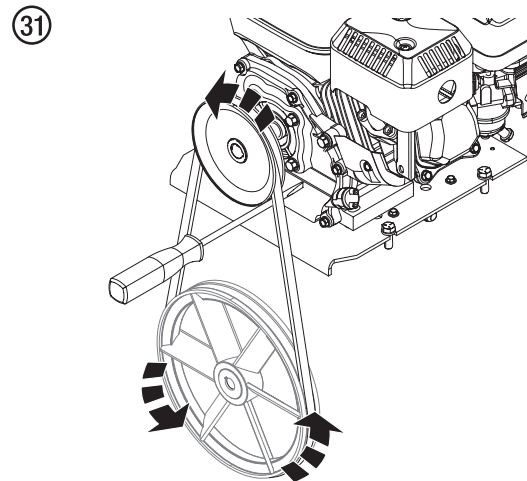
2. Remove the front screw (3) and the bottom screw (4) that secures the lower shroud to the main unit. Remove the entire shroud.



3. Carefully insert the driver end of a screwdriver in between the belt and upper pulley as shown (fig. 31).


4. With the screwdriver in place, use your other hand to manually turn the belt and pulleys counterclockwise. Allow the screwdriver to follow the motion of the pulley and pry the belt outward at the same time. Continue to turn the pulley approximately 1/2 turn and the belt will slide off the upper pulley with the help of the screwdriver.

|   |  |
|---|--|
|  | <b>PINCH HAZARD.</b> Make sure your fingers remain clear of the contact area between the screwdriver and the pulley. Do not allow your fingers to get between the belt and pulley as it turns. |
|   | <b>BURN HAZARD.</b> Make sure the gas engine has had time to sufficiently cool before touching it.   |



**REINSTALLATION**

1. Loop the the new belt over the top pulley until the belt engages the pulley groove.
2. Allow the belt to hang from the top pulley. With your hand, hold the belt in place in approximately the 3:00 position on the lower pulley groove.
3. Use your other hand to manually turn the upper pulley clockwise. Allow the hand holding the belt on the lower pulley to follow the motion. The motion of the pulley and the placement of your hand over the belt on the lower pulley will allow the the belt to slide into place on the lower pulley.

|   |  |
|---|--|
| <br><b>Attention</b> | Make sure the belt is not pinched or twisted in any way. |
|---|--|

4. Reverse steps 1-2 to reassemble the unit.

## 8 TROUBLESHOOTING

### 8.1 AIRLESS GUN

#### PROBLEM

A. Spitting gun

B. Gun will not shut off

C. Gun does not spray

#### CAUSE

1. Air in system
2. Dirty gun
3. Needle assembly out of adjustment
4. Broken or chipped seat

1. Worn or broken needle & seat
2. Needle assembly out of adjustment
3. Dirty gun

1. No paint
2. Plugged filter or tip
3. Broken needle in gun

#### SOLUTION

1. Inspect connections for air leaks.
2. Disassemble and clean.
3. Inspect and adjust.
4. Inspect and replace.

1. Replace.
2. Adjust.
3. Clean.

1. Check fluid supply.
2. Clean.
3. Replace.

### 8.2 FLUID SECTION

#### PROBLEM

A. Pump delivers on upstroke only or goes up slowly and down fast (commonly called downstroke dive)

B. Pump delivers on down stroke only or goes up fast and down slowly

C. Pump moves up and down fast, delivering material

D. Pump moves up and down slowly when spray gun is shut off

E. Not enough fluid pressure at gun

F. Pump chatters on up or down stroke

#### CAUSE

1. Lower foot valve ball is not seating due to trash or wear
2. Material too viscous to siphon.

3. Air leaking in on siphon side or damaged siphon hose. Siphon may be too small for heavy material.

1. Upper ball is not seating due to trash or wear
2. Lower packing set is worn

1. Material container is empty or material is too thick to flow through siphon hose

2. Bottom ball stuck to foot valve seat
3. Siphon hose is kinked or loose

1. Loose connections. Bleed valve is open partially or bleed valve is worn. Lower packing seat is worn.

2. Upper and/or lower ball not seating

1. Spray tip is worn
2. Outlet filter or gun filter is clogged
3. Low voltage and/or inadequate amperage
4. Hose size or length is too small or too long

1. Solvent has caused upper packing to swell

#### SOLUTION

1. Remove foot valve assembly. Clean and inspect. Test foot valve by filling with water; if ball fails to seal the seat, replace ball.
2. Thin material — contact manufacturer for proper thinning procedures.
3. Tighten all connections between pump and paint container. If damaged, replace. Switch to larger diameter siphon set.

1. Check upper seat and ball with water. If ball fails to seal, replace seat.
2. Replace packing set if worn.

1. Refill with new material. If too thick, remove siphon hose, immerse fluid section in material, and start pump to prime. Add thinner to material. Change to bigger siphon set. Open bleed valve to remove air and restart pump.
2. Remove foot valve. Clean ball and seat.
3. Straighten.

1. Check all connections between pump and gun. Tighten as necessary. If material is flowing from bleed hose, close bleed valve or replace, if necessary. Should none of the above be evident, replace lower packing.
2. Reseat balls by cleaning.

1. Replace.
2. Clean or replace filter.
3. Check electrical service. Correct as required.
4. Increase hose size to minimize pressure drop through hose and/or reduce hose length.

1. Replace packing.



### 8.3 HYDRAULIC MOTORS

#### PROBLEM

- A. Hydraulic motor stalls at bottom or top of stroke; low or intermittent fluid pump pressure; unusual stroke speed; high heat of the hydraulic oil temperature (above 200°F, [93°C]).

#### CAUSE

1. Low hydraulic oil level.
2. Pressure control setting too low.
3. Hydraulic belt or pulley failure.
4. Hydraulic piston failure.
5. Bound or broken fluid section piston.
6. Hydraulic piston rod seal failure
7. Hydraulic piston head seal failure
8. Other

#### SOLUTION

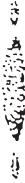
1. Check oil level. Fill if necessary. If the oil level is full, check the controller.
2. Make sure the pressure control knob is turned up enough to cycle the motor. If the pressure control setting is okay, then check the belt and pulleys.
3. Make sure the key is present in the output shaft of the engine/electric motor and the input shaft of the hydraulic pump. Make sure the belt is not broken and has adequate tension. If belt and pulleys are okay, please contact a Wagner Authorized Service Center.
4. Visually check hydraulic piston rod for breaks. If a broken hydraulic piston rod is apparent then remove/replace hydraulic piston. Depending on where the break occurred the piston coupler may also need to be replaced. Please visit a Wagner Authorized Service Center if assistance is necessary. If hydraulic piston is okay then check for bound/broken fluid section piston
5. To check for a bound/broken fluid section piston de-couple the hydraulic piston from the paint piston by removing the dowel pin. Power up the unit. If the hydraulic motor cycles when the hydraulic piston is de-coupled from the paint piston then the problem is most likely in the fluid section. Please visit a Wagner Authorized Service Center if assistance is necessary. If the hydraulic motor still does not cycle then check the hydraulic piston rod seal.
6. Remove the hydraulic piston rod seal plug which contains the rod seal, O-ring, and rod wear ring. Check for damage and replace rod seal, O-ring, or rod wear ring if necessary. If rod seal, O-ring, and rod wear ring are okay then check the hydraulic piston head seal.
7. Remove the hydraulic piston and inspect/replace the piston head seal and piston head wear ring as needed. During this process check the cylinder bore for damage or uneven wear marks. If the cylinder bore is damaged then replace pump block along with piston head seal and piston head wear ring.
8. If problems persist please see a Wagner Certified Service Center.



## 8.4 SPRAY PATTERNS

### PROBLEM

A. Tails



B. Hour glass



C. Distorted



D. Pattern expanding and contracting (surge)



E. Round pattern



### CAUSE

1. Inadequate fluid delivery

1. Inadequate fluid delivery

1. Plugged or worn nozzle tip

1. Suction leak  
2. Pulsating fluid delivery

1. Worn tip  
2. Fluid too heavy for tip

### SOLUTION

1. Fluid not atomizing correctly:  
Increase fluid pressure. Change to smaller tip orifice size.  
Reduce fluid viscosity. Reduce hose length. Clean gun and filter(s). Reduce number of guns using pump.

1. Same as above.

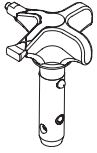
1. Clean or replace nozzle tip.

1. Inspect for suction hose leak.  
2. Change to a smaller tip orifice size. Install pulsation dampener in system or drain existing one. Reduce number of guns using pump. Remove restrictions in system; clean tip screen if filter is used.

1. Replace tip.  
2. Increase pressure. Thin material. Change nozzle tip.



**9.3 2SPEED TIP TABLE**



The innovative changeover nozzle from WAGNER combines two nozzle cores into one nozzle.

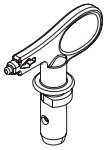


2 Speed Tip holder  
**Order no. 0271065**

**TIP TABLE**

| Object size            | Painting material                                      |  |  |
|------------------------|--|--|--|
|                        | Lacquer (L)  | Emulsion (D)   | Filler (S)   |
| Small                  |  | D5<br>Nozzles: 111 / 415<br><b>Order no. 0271 062</b>  | S5<br>Nozzles: 225 / 629<br><b>Order no. 0271 064</b>  |
|                        |  | D7<br>Nozzles: 113 / 417<br><b>Order no. 0271 063</b>  |  |
|                        | L10<br>Nozzles: 208 / 510<br><b>Order no. 0271 042</b> | D10<br>Nozzles: 111 / 419<br><b>Order no. 0271 045</b> | S10<br>Nozzles: 527 / 235<br><b>Order no. 0271 049</b> |
| Medium                 | L20<br>Nozzles: 210 / 512<br><b>Order no. 0271 043</b> | D20<br>Nozzles: 115 / 421<br><b>Order no. 0271 046</b> | S20<br>Nozzles: 539 / 243<br><b>Order no. 0271 050</b> |
| Large                  | L30<br>Nozzles: 212 / 514<br><b>Order no. 0271 044</b> | D30<br>Nozzles: 115 / 423<br><b>Order no. 0271 047</b> | S30<br>Nozzles: 543 / 252<br><b>Order no. 0271 051</b> |
| X-Large                |  | D40<br>Nozzles: 117 / 427<br><b>Order no. 0271 048</b> |  |
| Recommended gun filter | red  | white  | -  |

## 9.4 AIRLESS TIP TABLE



**Wagner  
TradeTip 3 tip**  
up to 270 bar  
(27 MPa)



without tip  
F thread (11/16 - 16 UN)  
for Wagner spray guns  
**Order no. 0289391**

without tip  
G thread (7/8 - 14 UN)  
for Graco/Titan spray guns  
**Order no. 0289390**



All of the tips in the table below are supplied together with the appropriate gun filter.

| Application   | Tip marking     | Spray angle | Bore inch / mm | Spraying width mm 1) | Gun filter | Order no. |
|---|-----------------|-------------|----------------|----------------------|------------|-----------|
| Water-thinnable and solvent-based paints and varnishes, oils, separating agents | 107             | 10°         | 0.007 / 0.18   | 100                  | red        | 0553107   |
|   | 207             | 20°         | 0.007 / 0.18   | 120                  | red        | 0553207   |
|   | 307             | 30°         | 0.007 / 0.18   | 150                  | red        | 0553307   |
|   | 407             | 40°         | 0.007 / 0.18   | 190                  | red        | 0553407   |
|   | 109             | 10°         | 0.009 / 0.23   | 100                  | red        | 0553109   |
|   | 209             | 20°         | 0.009 / 0.23   | 120                  | red        | 0553209   |
|   | 309             | 30°         | 0.009 / 0.23   | 150                  | red        | 0553309   |
|   | 409             | 40°         | 0.009 / 0.23   | 190                  | red        | 0553409   |
|   | 509             | 50°         | 0.009 / 0.23   | 225                  | red        | 0553509   |
|   | 609             | 60°         | 0.009 / 0.23   | 270                  | red        | 0553609   |
| Synthetic-resin paints<br>PVC paints  | 111             | 10°         | 0.011 / 0.28   | 100                  | red        | 0553111   |
|   | 211             | 20°         | 0.011 / 0.28   | 120                  | red        | 0553211   |
|   | 311             | 30°         | 0.011 / 0.28   | 150                  | red        | 0553311   |
|   | 411             | 40°         | 0.011 / 0.28   | 190                  | red        | 0553411   |
|   | 511             | 50°         | 0.011 / 0.28   | 225                  | red        | 0553511   |
|   | 611             | 60°         | 0.011 / 0.28   | 270                  | red        | 0553611   |
| Paints, primers<br>Fillers  | 113             | 10°         | 0.013 / 0.33   | 100                  | red        | 0553113   |
|   | 213             | 20°         | 0.013 / 0.33   | 120                  | red        | 0553213   |
|   | 313             | 30°         | 0.013 / 0.33   | 150                  | red        | 0553313   |
|   | 413             | 40°         | 0.013 / 0.33   | 190                  | red        | 0553413   |
|   | 513             | 50°         | 0.013 / 0.33   | 225                  | red        | 0553513   |
|   | 613             | 60°         | 0.013 / 0.33   | 270                  | red        | 0553613   |
|   | 813             | 80°         | 0.013 / 0.33   | 330                  | red        | 0553813   |
| Fillers<br>Rust protection paints   | 115             | 10°         | 0.015 / 0.38   | 100                  | yellow     | 0553115   |
|   | 215             | 20°         | 0.015 / 0.38   | 120                  | yellow     | 0553215   |
|   | 315             | 30°         | 0.015 / 0.38   | 150                  | yellow     | 0553315   |
|   | 415             | 40°         | 0.015 / 0.38   | 190                  | yellow     | 0553415   |
|   | 515             | 50°         | 0.015 / 0.38   | 225                  | yellow     | 0553515   |
|   | 615             | 60°         | 0.015 / 0.38   | 270                  | yellow     | 0553615   |
|   | 715             | 70°         | 0.015 / 0.38   | 300                  | yellow     | 0553715   |
|   | 815             | 80°         | 0.015 / 0.38   | 330                  | yellow     | 0553815   |
| Rust protection paints<br>Latex paints<br>Dispersions                           | 117             | 10°         | 0.017 / 0.43   | 100                  | white      | 0553117   |
|   | 217             | 20°         | 0.017 / 0.43   | 120                  | white      | 0553217   |
|   | 317             | 30°         | 0.017 / 0.43   | 150                  | white      | 0553317   |
|   | 417             | 40°         | 0.017 / 0.43   | 190                  | white      | 0553417   |
|   | 517             | 50°         | 0.017 / 0.43   | 225                  | white      | 0553517   |
|   | 617             | 60°         | 0.017 / 0.43   | 270                  | white      | 0553617   |
|   | 717             | 70°         | 0.017 / 0.43   | 300                  | white      | 0553717   |
|   | 817             | 80°         | 0.017 / 0.43   | 330                  | white      | 0553817   |
| Rust protection paints<br>Latex paints<br>Dispersions                           | 219             | 20°         | 0.019 / 0.48   | 120                  | white      | 0553219   |
|   | 319             | 30°         | 0.019 / 0.48   | 150                  | white      | 0553319   |
|   | 419             | 40°         | 0.019 / 0.48   | 190                  | white      | 0553419   |
|   | 519             | 50°         | 0.019 / 0.48   | 225                  | white      | 0553519   |
|   | 619             | 60°         | 0.019 / 0.48   | 270                  | white      | 0553619   |
|   | 719             | 70°         | 0.019 / 0.48   | 300                  | white      | 0553719   |
|   | 819             | 80°         | 0.019 / 0.48   | 330                  | white      | 0553819   |
|   | 919             | 90°         | 0.019 / 0.48   | 385                  | white      | 0553919   |
|   | Flame retardant | 221         | 20°            | 0.021 / 0.53         | 120        | white     |
| 321   |                 | 30°         | 0.021 / 0.53   | 150                  | white      | 0553321   |
| 421   |                 | 40°         | 0.021 / 0.53   | 190                  | white      | 0553421   |
| 521   |                 | 50°         | 0.021 / 0.53   | 225                  | white      | 0553521   |
| 621   |                 | 60°         | 0.021 / 0.53   | 270                  | white      | 0553621   |
| 721   |                 | 70°         | 0.021 / 0.53   | 300                  | white      | 0553721   |
| 821   |                 | 80°         | 0.021 / 0.53   | 330                  | white      | 0553821   |

| Application                    | Tip marking  | Spray angle | Bore inch / mm | Spraying width mm 1) | Gun filter | Order no. |
|--------------------------------|--|-------------|----------------|----------------------|------------|-----------|
| <b>Roof coatings</b>           | 223  | 20°         | 0.023 / 0.58   | 120                  | white      | 0553223   |
|                                | 323  | 30°         | 0.023 / 0.58   | 150                  | white      | 0553323   |
|                                | 423  | 40°         | 0.023 / 0.58   | 190                  | white      | 0553423   |
|                                | 523  | 50°         | 0.023 / 0.58   | 225                  | white      | 0553523   |
|                                | 623  | 60°         | 0.023 / 0.58   | 270                  | white      | 0553623   |
|                                | 723  | 70°         | 0.023 / 0.58   | 300                  | white      | 0553723   |
|                                | 823  | 80°         | 0.023 / 0.58   | 330                  | white      | 0553823   |
|                                | <b>Thick-film materials,<br/>Corrosion protection<br/>Spray filler</b> | 225         | 20°            | 0.025 / 0.64         | 120        | white     |
| 325                            |  | 30°         | 0.025 / 0.64   | 150                  | white      | 0553325   |
| 425                            |  | 40°         | 0.025 / 0.64   | 190                  | white      | 0553425   |
| 525                            |  | 50°         | 0.025 / 0.64   | 225                  | white      | 0553525   |
| 625                            |  | 60°         | 0.025 / 0.64   | 270                  | white      | 0553625   |
| 725                            |  | 70°         | 0.025 / 0.64   | 300                  | white      | 0553725   |
| 825                            |  | 80°         | 0.025 / 0.64   | 330                  | white      | 0553825   |
| 227                            |  | 20°         | 0.027 / 0.69   | 120                  | white      | 0553227   |
| 327                            |  | 30°         | 0.027 / 0.69   | 150                  | white      | 0553327   |
| 427                            |  | 40°         | 0.027 / 0.69   | 190                  | white      | 0553427   |
| 527                            |  | 50°         | 0.027 / 0.69   | 225                  | white      | 0553527   |
| 627                            |  | 60°         | 0.027 / 0.69   | 270                  | white      | 0553627   |
| 827                            |  | 80°         | 0.027 / 0.69   | 330                  | white      | 0553827   |
| 229                            |  | 20°         | 0.029 / 0.75   | 120                  | white      | 0553229   |
| 329                            |  | 30°         | 0.029 / 0.75   | 150                  | white      | 0553329   |
| 429                            |  | 40°         | 0.029 / 0.75   | 190                  | white      | 0553429   |
| 529                            |  | 50°         | 0.029 / 0.75   | 225                  | white      | 0553529   |
| 629                            |  | 60°         | 0.029 / 0.75   | 270                  | white      | 0553629   |
| 231                            |  | 20°         | 0.031 / 0.79   | 120                  | white      | 0553231   |
| 331                            |  | 30°         | 0.031 / 0.79   | 150                  | white      | 0553331   |
| 431                            |  | 40°         | 0.031 / 0.79   | 190                  | white      | 0553431   |
| 531                            |  | 50°         | 0.031 / 0.79   | 225                  | white      | 0553531   |
| 631                            |  | 60°         | 0.031 / 0.79   | 270                  | white      | 0553631   |
| 731                            |  | 70°         | 0.031 / 0.79   | 300                  | white      | 0553731   |
| 831                            |  | 80°         | 0.031 / 0.79   | 330                  | white      | 0553831   |
| 233                            |  | 20°         | 0.033 / 0.83   | 120                  | white      | 0553233   |
| 333                            |  | 30°         | 0.033 / 0.83   | 150                  | white      | 0553333   |
| 433                            |  | 40°         | 0.033 / 0.83   | 190                  | white      | 0553433   |
| 533                            |  | 50°         | 0.033 / 0.83   | 225                  | white      | 0553533   |
| 633                            |  | 60°         | 0.033 / 0.83   | 270                  | white      | 0553633   |
| 235                            |  | 20°         | 0.035 / 0.90   | 120                  | white      | 0553235   |
| 335                            |  | 30°         | 0.035 / 0.90   | 150                  | white      | 0553335   |
| 435                            |  | 40°         | 0.035 / 0.90   | 190                  | white      | 0553435   |
| 535                            |  | 50°         | 0.035 / 0.90   | 225                  | white      | 0553535   |
| 635                            |  | 60°         | 0.035 / 0.90   | 270                  | white      | 0553635   |
| 735                            |  | 70°         | 0.035 / 0.90   | 300                  | white      | 0553735   |
| 439                            |  | 40°         | 0.039 / 0.99   | 190                  | white      | 0553439   |
| 539                            |  | 50°         | 0.039 / 0.99   | 225                  | white      | 0553539   |
| 639                            |  | 60°         | 0.039 / 0.99   | 270                  | white      | 0553639   |
| <b>Heavy duty applications</b> |  | 243         | 20°            | 0.043 / 1.10         | 120        | green     |
|                                | 443  | 40°         | 0.043 / 1.10   | 190                  | green      | 0553443   |
|                                | 543  | 50°         | 0.043 / 1.10   | 225                  | green      | 0553543   |
|                                | 643  | 60°         | 0.043 / 1.10   | 270                  | green      | 0553643   |
|                                | 445  | 40°         | 0.045 / 1.14   | 190                  | green      | 0553445   |
|                                | 545  | 50°         | 0.045 / 1.14   | 225                  | green      | 0553545   |
|                                | 645  | 60°         | 0.045 / 1.14   | 270                  | green      | 0553645   |
|                                | 451  | 40°         | 0.051 / 1.30   | 190                  | green      | 0553451   |
|                                | 551  | 50°         | 0.051 / 1.30   | 225                  | green      | 0553551   |
|                                | 651  | 60°         | 0.051 / 1.30   | 270                  | green      | 0553651   |
|                                | 252  | 20°         | 0.052 / 1.32   | 120                  | green      | 0553252   |
|                                | 455  | 40°         | 0.055 / 1.40   | 190                  | green      | 0553455   |
|                                | 555  | 50°         | 0.055 / 1.40   | 225                  | green      | 0553555   |
|                                | 655  | 60°         | 0.055 / 1.40   | 270                  | green      | 0553655   |
|                                | 261  | 20°         | 0.061 / 1.55   | 120                  | green      | 0553261   |
|                                | 461  | 40°         | 0.061 / 1.55   | 190                  | green      | 0553461   |
|                                | 561  | 50°         | 0.061 / 1.55   | 225                  | green      | 0553561   |
|                                | 661  | 60°         | 0.061 / 1.55   | 270                  | green      | 0553661   |
|                                | 263  | 20°         | 0.063 / 1.60   | 120                  | green      | 0553263   |
|                                | 463  | 40°         | 0.063 / 1.60   | 190                  | green      | 0553463   |
|                                | 565  | 50°         | 0.065 / 1.65   | 225                  | green      | 0553565   |
|                                | 665  | 60°         | 0.065 / 1.65   | 270                  | green      | 0553665   |
|                                | 267  | 20°         | 0.067 / 1.70   | 120                  | green      | 0553267   |
|                                | 467  | 40°         | 0.067 / 1.70   | 190                  | green      | 0553467   |

1) Spray width at about 30 cm to the object and 100 bar (10 MPa) pressure with synthetic-resin paint 20 DIN seconds.

# Warnung!

**Achtung: Verletzungsgefahr durch Injektion!**  
**Airless-Geräte entwickeln extrem hohe Spritzdrücke.**



**1**

**Niemals Finger, Hände oder andere Körperteile mit dem Spritzstrahl in Berührung bringen!**

**Nie die Spritzpistole auf sich, Personen und Tiere richten.**

**Nie die Spritzpistole ohne Spritzstrahl-Berührungsschutz benutzen.**

**Behandeln Sie eine Spritzverletzung nicht als harmlose Schnittverletzung. Bei einer Hautverletzung durch Beschichtungsstoff oder Lösemittel sofort einen Arzt aufsuchen zur schnellen, fachkundigen Behandlung. Informieren Sie den Arzt über den verwendeten Beschichtungsstoff oder das Lösemittel.**

**2**

**Vor jeder Inbetriebnahme sind gemäß Betriebsanleitung folgende Punkte zu beachten:**

1. Fehlerhafte Geräte dürfen nicht benutzt werden.
2. Wagner-Spritzpistole sichern mit Sicherungshebel am Abzugsbügel.
3. Erdung sicherstellen.
4. Zulässigen Betriebsdruck von Hochdruckschlauch und Spritzpistole überprüfen.
5. Alle Verbindungsteile auf Dichtheit prüfen.

**3**

**Anweisungen zur regelmäßigen Reinigung und Wartung des Gerätes sind streng einzuhalten.**

**Vor allen Arbeiten am Gerät und bei jeder Arbeitspause folgende Regeln beachten:**

1. Spritzpistole und Hochdruckschlauch druckentlasten.
2. Wagner-Spritzpistole sichern mit Sicherungshebel am Abzugsbügel.
3. Gerät ausschalten.

# Achte auf Sicherheit!



|          |   |           |   |  |           |
|----------|---|-----------|---|--|-----------|
| <b>1</b> | <b>SICHERHEITSVORSCHRIFTEN FÜR DAS AIRLESS-SPRITZEN</b>                 | <b>40</b> | <b>8</b>  | <b>FEHLERBEHEBUNG</b>                              | <b>67</b> |
| 1.1      | Erklärung der verwendeten Symbole                                       | 40        | 8.1   | Airless-Spritzpistole                              | 67        |
| 1.2      | Sicherheitsrisiken  | 40        | 8.2   | Flüssigkeitsbereich                                | 67        |
| 1.3      | Aufstellung in unebenem Gelände   | 42        | 8.3   | Hydraulikmotor                                     | 68        |
| 1.4      | Elektrische Sicherheit  | 42        | 8.4   | Spritzmuster                                       | 69        |
| 1.5      | Benzinmotoren-Betriebssicherheit  | 42        | <b>9</b>  | <b>ANHANG</b>                                      | <b>70</b> |
| 1.6      | Betanken (Benzinmotor)  | 43        | 9.1   | Düsenauswahl                                       | 70        |
| <b>2</b> | <b>ANWENDUNGSÜBERSICHT</b>  | <b>44</b> | 9.2   | Wartung und Reinigung von Airless-Hartmetall-Düsen | 70        |
| 2.1      | Einsatzgebiete  | 44        | 9.3   | 2Speed Tip Düsen-Tabelle                           | 71        |
| 2.2      | Beschichtungsstoffe   | 44        | 9.4   | Airless-Düsen-Tabelle                              | 72/73     |
| <b>3</b> | <b>GERÄTEBESCHREIBUNG</b>   | <b>45</b> | <b>ZUBEHÖR UND ERSATZTEILE</b>                            | <b>110</b>   |           |
| 3.1      | Airless-Verfahren   | 45        | Ersatzteilliste Hauptbaugruppe I                          | 110/111  |           |
| 3.2      | Funktion des Gerätes  | 45        | Ersatzteilliste Hauptbaugruppe II                         | 112/113  |           |
| 3.3      | Erklärungsbild HeavyCoat-Geräte mit Benzinmotor                         | 46        | Ersatzteilliste Wagen                                     | 114/115  |           |
| 3.4      | Erklärungsbild HeavyCoat-Geräte mit Elektromotor                        | 47        | Ersatzteilliste Hydrauliksystem                           | 116/117  |           |
| 3.5      | Technische Daten HeavyCoat-Geräte                                       | 48        | Ersatzteilliste Flüssigkeitsbereich • HeavyCoat 730       | 118/119  |           |
| 3.6      | Transport   | 49        | Ersatzteilliste Flüssigkeitsbereich • HeavyCoat 750 / 770 | 120/121  |           |
| 3.7      | Krantransport   | 49        | Ersatzteilliste Schöpfkolben HeavyCoat 750 SSP            | 122/123  |           |
| <b>4</b> | <b>BEDIENUNG</b>  | <b>49</b> | Ersatzteilliste Hydraulikmotors                           | 124/125  |           |
| 4.1      | Einrichtung   | 49        | Ersatzteilliste Hochdruckfilter                           | 126/127  |           |
| 4.2      | Start des Benzinmotors (Benzinmodelle)                                  | 51        | Ersatzteilliste Ablassventilbaugruppe                     | 128/129  |           |
| 4.3      | Vorbereitung eines neuen Spritzgeräts                                   | 51        | Ersatzteilliste für die Magnetbaugruppe                   | 130/131  |           |
| 4.4      | Vorbereitung der Farbe  | 52        | <b>SCHALTPLAN (230V)</b>                                  | <b>132</b>   |           |
| 4.5      | Farbgebung  | 53        | <b>SCHALTPLAN (BENZINMOTOR)</b>                           | <b>133</b>   |           |
| 4.6      | Vorgehensweise bei Druckentlastung                                      | 53        | <b>HYDRAULIKSCHEMA</b>                                    | <b>134</b>   |           |
| <b>5</b> | <b>SPRITZTECHNIK</b>  | <b>54</b> | <b>ZUBEHÖR FÜR HC-GERÄTE I</b>                            | <b>135</b>   |           |
| 5.1      | Eine verstopfte Düse reinigen   | 54        | <b>ZUBEHÖR FÜR HC-GERÄTE II</b>                           | <b>136/137</b>                                     |           |
| 5.2      | Arbeitsunterbrechung  | 55        | <b>PRÜFUNG DES GERÄTES</b>                                | <b>139</b>   |           |
| 5.3      | Handhabung des Hochdruck-schlauches                                     | 55        | <b>WICHTIGER HINWEIS ZUR PRODUKTHAFTUNG</b>               | <b>139</b>   |           |
| <b>6</b> | <b>REINIGUNG</b>  | <b>56</b> | <b>3+2 JAHRE GARANTIE PROFESSIONAL FINISHING</b>          | <b>139</b>   |           |
| 6.1      | Besondere Reinigungshinweise bei Verwendung entflammbarer Lösungsmittel | 56        | <b>WAGNER-SERVICENETZ</b>                                 | <b>147/148</b>                                     |           |
| 6.2      | Reinigung des Spritzgeräts  | 56        |   |  |           |
| 6.3      | Gerätereinigung von außen   | 56        |   |  |           |
| 6.4      | Den Steinfänger reinigen/Ansaugfilter                                   | 57        |   |  |           |
| 6.5      | Reinigung der Airless-Spritzpistole                                     | 57        |   |  |           |
| <b>7</b> | <b>UNTERHALT</b>  | <b>58</b> |   |  |           |
| 7.1      | Tägliche Wartung  | 58        |   |  |           |
| 7.2      | Die oberen Dichtungen einfetten   | 58        |   |  |           |
| 7.3      | Unterhalt des Filteraufbaus   | 58        |   |  |           |
| 7.4      | Unterhalt des hydraulischen Systems                                     | 59        |   |  |           |
| 7.5      | Unterhalt des Flüssigkeitsbereichs                                      | 60        |   |  |           |
| 7.6      | Hochdruckschlauch   | 60        |   |  |           |
| 7.7      | Einfacher Unterhalt des Motors (Benzinmotor)                            | 61        |   |  |           |
| 7.8      | Wartung des Hydraulikmotors   | 62        |   |  |           |
| 7.9      | Unterhalt des Flüssigkeitsbereiches                                     | 64        |   |  |           |
| 7.10     | Auswechseln des Riemens   | 66        |   |  |           |

# 1 SICHERHEITSVORSCHRIFTEN FÜR DAS AIRLESS-SPRITZEN

## 1.1 ERKLÄRUNG DER VERWENDETEN SYMBOLE

Diese Bedienanleitung enthält Informationen, die der Benutzer vor Verwendung des Geräts gründlich durcharbeiten muss. In Bereichen, die mit den folgenden Symbolen gekennzeichnet sind, besonders vorsichtig arbeiten und alle Sicherheitshinweise beachten.



→ Dieses Symbol verweist auf eine potenzielle Gefahr, die zum Tode oder zu schweren Verletzungen führen kann. Hier finden Sie wichtige Sicherheitsinformationen.



Achtung

→ Dieses Symbol weist auf eine potenzielle Gefahr für Sie bzw. das Gerät hin. Unter diesem Symbol finden Sie wichtige Informationen, wie Sie Schäden an dem Gerät und Verletzungsgefahr vermeiden.



→ Injektionsgefahr



→ Brandgefahr durch Lösemittel und Farbdämpfe



→ Explosionsgefahr durch Lösemittel, Farbdämpfe und ungeeignete Materialien



→ Verletzungsgefahr durch das Einatmen von schädlichen Dämpfen



→ Verletzungsgefahr durch Stromschlag



→ Hinweise enthalten wichtige Informationen, die beachtet werden sollten.

## 1.2 SICHERHEITSRISIKEN



### GEFAHR: VERLETZUNG DURCH FLÜSSIGKEITEN UNTER DRUCK

Eine unter hohem Druck stehende Flüssigkeit, wie sie von diesem Gerät erzeugt wird, kann die Haut durchdringen und in das darunter liegende Bindegewebe eindringen und so zu schweren Verletzungen und selbst zur Amputation führen.

Behandeln Sie eine Spritzverletzung nicht als harmlose Schnittverletzung. Bei einer Hautverletzung durch Beschichtungsstoff oder Lösemittel sofort einen Arzt aufsuchen zur schnellen, fachkundigen Behandlung. Informieren Sie den Arzt über den verwendeten Beschichtungsstoff oder das Lösemittel.

### VORSICHTSMASSNAHMEN:

- NIEMALS die Spritzpistole auf Körperteile halten.
- NIEMALS mit Körperteilen den Flüssigkeitsstrahl berühren. NIEMALS mit dem Körper eine Leckstelle im Druckschlauch berühren.
- NIEMALS die Hand vor die Düse der Spritzpistole halten. Handschuhe stellen keinen sicheren Schutz vor Verletzungen durch injizierte Flüssigkeiten dar.
- STETS den Auslöser der Spritzpistole verriegeln, die Pumpe ausschalten und den Druck vollständig entspannen, bevor Wartungs- und Reinigungsarbeiten, Durchsichten, Düsenwechsel oder ähnliche Arbeiten durchgeführt werden oder das Gerät unbeaufsichtigt gelassen wird. Auch nach dem Ausschalten des Motors steht das Gerät noch unter Druck. Das Ventil PRIME/SPRAY (Vorfüll-/Sprühventil) bzw. das Druckentlastungsventil müssen in ihren Sollpositionen stehen, um den Systemdruck zu entspannen.
- STETS den Düsenschutz aufsetzen, wenn Spritzarbeiten durchgeführt werden. Der Düsenschutz stellt einen gewissen Schutz dar, ist aber vor allem als Warnvorrichtung gedacht.
- STETS die Spritzdüse entfernen, bevor das System gereinigt oder gespült wird.
- NIEMALS eine Spritzpistole ohne funktionsfähige Auslöserverriegelung und ohne Auslöserbügel verwenden.
- Das gesamte Zubehör muss mindestens für den maximalen Betriebsdruckbereich des Spritzgeräts zugelassen sein. Dazu gehören Spritzdüsen, Spritzpistolen, Verlängerungen und Schlauch.



### GEFAHR: HOCHDRUCKSCHLAUCH

Durch Verschleiß, Knicken und nicht zweckentsprechende Verwendung können sich Leckstellen im Farbschlauch bilden. Durch eine Leckstelle kann Flüssigkeit in die Haut injiziert werden. Vor Verwendung den Schlauch gründlich prüfen.

#### VORSICHTSMASSNAHMEN:

- Scharfes Biegen oder Knicken des Hochdruckschlauches vermeiden, kleinster Biegeradius etwa 20 cm.
- Hochdruckschlauch nicht überfahren, sowie vor scharfen Gegenständen und Kanten schützen.
- Beschädigten Hochdruckschlauch sofort ersetzen.
- Niemals defekten Hochdruckschlauch selbst reparieren!
- Elektrostatische Aufladung von Spritzpistole und Hochdruckschlauch wird über den Hochdruckschlauch abgeleitet. Deshalb muss der elektrische Widerstand zwischen den Anschlüssen des Hochdruckschlauchs gleich oder kleiner ein Megaohm betragen.
- Aus Gründen der Funktion, Sicherheit und Lebensdauer, nur Wagner-Original-Ersatzhochdruckschläuche verwenden.
- Vor jedem Einsatz alle Schläuche auf Einschnitte, Leckstellen, Scheuerstellen oder gewölbte Oberflächen kontrollieren. Die Kupplungen auf Unversehrtheit und festen Sitz kontrollieren. Schläuche unverzüglich ersetzen, wenn einer der oben genannten Fehler festgestellt wird. Einen Farbschlauch niemals reparieren. Einen defekten Schlauch durch einen geerdeten Hochdruckschlauch ersetzen.
- Achten Sie darauf, Spritzschläuche so zu verlegen, dass die Rutsch-, Stolper-, und Umfallgefahr minimiert wird.



### GEFAHR: EXPLOSIONS- UND BRANDGEFAHR

Brennbare Dämpfe, wie z. B. Dämpfe von Lösungsmitteln und Farben können sich in den Arbeitsbereichen entzünden oder explodieren.



#### VORSICHTSMASSNAHMEN:

- Verwenden Sie das Gerät ausschließlich in gut belüfteten Bereichen. Achten Sie auf ausreichende Frischluftzufuhr im gesamten Bereich, damit sich keine brennbaren Dämpfe in der Luft im Spritzbereich ansammeln können. Bewahren Sie die Pumpenbaugruppe in einem gut belüfteten Bereich auf. Besprühen Sie nicht die Pumpenbaugruppe.

- Nur elektronische Modelle - Verwenden Sie keine Materialien mit einem Flammpunkt unter 38°C (100°F). Der Flammpunkt ist die Temperatur, bei der eine Flüssigkeit ausreichend Dämpfe entwickeln kann, dass sich diese entzünden.
- Nur Modelle mit Benzin - Befüllen Sie den Treibstofftank nicht, wenn der Motor läuft oder heiß ist; schalten Sie den Motor ab und lassen diesen abkühlen. Der Treibstoff ist brennbar und kann sich entzünden bzw. explodieren, wenn dieser mit einer heißen Oberfläche in Berührung kommt.
- Beseitigen Sie alle Zündquellen, wie z. B. Zündflammen, Zigaretten, tragbare elektrische Lampen und Plastikabdeckplatten (potenzieller elektrostatischer Lichtbogen).
- Halten Sie die Arbeitsbereiche frei von Verunreinigungen, einschließlich Lösungsmittel, Lappen und Benzin.
- Schließen Sie die Elektrozuleitungen nicht bzw. trennen diese nicht ab bzw. schalten Sie die Netzschalter bzw. Lichtschalter nicht ein bzw. aus, wenn sich brennbare Dämpfe entwickelt haben.
- Schutzleiter und leitfähige Gegenstände im Arbeitsbereich. Achten Sie darauf, dass die Erdleitung (in der Lieferung nicht enthalten) von der Erdungsklemme mit einem wirksamen Erdungsanschluss verbunden ist.
- Verwenden Sie ausschließlich geerdete Schläuche.
- Halten Sie die Spritzpistole fest an die Seite eines geerdeten Eimers, wenn Sie in den Eimer spritzen.
- Kommt es durch statische Aufladung zu Funkenbildung bzw. wenn Sie einen Stromschlag verspüren, brechen Sie den Vorgang umgehend ab.
- Sie müssen die Zusammensetzung der Farben und Lösungsmittel, die Sie spritzen möchten, kennen. Lesen Sie alle Material Sicherheitsdatenblätter (MSDS) und Behälterbeschriftungen von Farben und Lösungsmitteln durch. Befolgen Sie die Sicherheitsanweisungen des Farben- und Lösungsmittelherstellers.
- Verwenden Sie keine Farben bzw. Lösungsmittel, die Halogenkohlenwasserstoffe enthalten, wie z. B. Chlor, Bleiche, Antischimmelmittel, Methylenchlorid und Trichlorethan. Sie sind nicht kompatibel mit Aluminium. Setzen Sie sich mit dem Lieferanten der Beschichtung hinsichtlich der Kompatibilität des Materials mit Aluminium in Verbindung.
- Halten Sie im Arbeitsbereich einen Feuerlöscher bereit.



### GEFAHR: GEFÄHRLICHE DÄMPFE

Farben, Lösungsmittel und andere Materialien können beim Einatmen oder beim Kontakt mit dem Körper gesundheitsschädlich sein. Die Dämpfe können schwere Übelkeit, Ohnmacht und Vergiftungen verursachen.

#### VORSICHTSMASSNAHMEN :

- Bei Spritzarbeiten Atemschutz tragen. Alle mit der Gesichtsmaske mitgelieferten Anleitungen durcharbeiten, damit die Gesichtsmaske auch den gewünschten Schutz bietet.
- Dem Benutzer ist eine Atemschutzmaske zur Verfügung zu stellen (Berufs-Genossenschaftliche Regeln „Regeln für den Einsatz von Atemschutzgeräten“ (BGR 190).
- Arbeitsschutzbrille tragen.
- Zum Schutz der Haut sind Schutzkleidung, Handschuhe und eventuell Hautschutzcreme erforderlich (BGR 197 "Benutzung von Hautschutz"). Vorschriften der Hersteller beachten zu den Beschichtungsstoffen, Lösemittel und Reinigungsmittel bei Aufbereitung, Verarbeitung und Gerätereinigung.



### GEFAHR: ALLGEMEINES

Kann schwere Personen- oder Sachschäden verursachen.

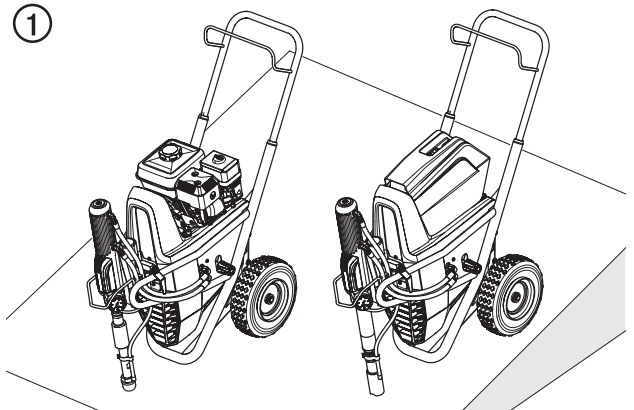
#### VORSICHTSMASSNAHMEN :

- Alle lokalen sowie im Land bzw. Bundesland geltenden Vorschriften zum Brandschutz, zur Bedienung und Lüftung einhalten.
- Bei Betätigung des Auslösers zieht die Spritzpistole zur Seite. Diese Kraftwirkung der Spritzpistole ist besonders stark, wenn die Düse entfernt und bei der Pumpe hoher Druck eingestellt wurde. Bei der Reinigung mit abgeschraubter Düse daher den Druckreglerknopf auf den niedrigsten Druck einstellen.
- Nur vom Hersteller zugelassene Teile verwenden. Bei Verwendung von Teilen, die nicht die technischen Mindestanforderungen erfüllen, trägt der Benutzer alle Risiken und die gesamte Haftung. Dies gilt auch für die Sicherheitsvorrichtungen der Pumpe.
- IMMER die Hinweise des Herstellers zum sicheren Umgang mit Farben und Lösungsmitteln einhalten.
- Verschüttete Materialien und Lösemitteln sofort aufwischen, um Rutschgefahr zu vermeiden.
- Gehörschutz tragen. Dieses Gerät kann einen Schalldruck über 85 dB(A) erzeugen.
- Das Gerät niemals unbeaufsichtigt lassen. Kinder oder andere Personen, die mit dem Betrieb des druckluftlosen Spritzgeräts nicht vertraut sind, von dem Gerät fern halten.
- An windigen Tagen nicht im Freien spritzen.
- Das Gerät inklusive aller Flüssigkeiten (z.B. Hydrauliköl) müssen umweltgerecht entsorgt werden.

### 1.3 AUFSTELLUNG IN UNEBENEM GELÄNDE

Die Vorderseite muss nach unten zeigen, um ein Wegrutschen zu vermeiden.

Auf schrägen Untergründen ist das Gerät nicht zu betreiben, da es durch Vibrationen zum Wandern neigt.



### 1.4 ELEKTRISCHE SICHERHEIT

Elektrogeräte müssen geerdet werden. Bei einem elektrischen Kurzschluss reduziert die Erdung die Gefahr eines elektrischen Schlages, da der Fehlerstrom über den Schutzleiter abgeführt wird. Dieses Gerät ist mit einem Netzkabel versehen, das einen Schutzkontaktstecker besitzt. Anschluss an das Stromnetz nur über einen besonderen Speisepunkt z. B. über eine Fehlerstromsicherheit mit  $INF \leq 30 \text{ mA}$ .



GEFAHR — Arbeiten oder Reparaturen an der elektrischen Ausrüstung nur von einer Elektrofachkraft durchführen lassen. Für unsachgemäße Installation wird keine Haftung übernommen. Gerät ausschalten. Vor allen Reparaturen – Netzstecker aus der Steckdose ziehen.



Gerätereinigung: Kurzschlussgefahr durch eindringendes Wasser in die elektrische Ausrüstung. Gerät niemals mit Hochdruck- oder Dampfhochdruckreiniger abspritzen.

### 1.5 BENZINMOTOREN-BETRIEBSSICHERHEIT

1. Benzinmotoren sind so gebaut, dass sie sicher und verlässlich funktionieren, wenn sie gemäß der Instruktionen bedient werden. Vor der Bedienung des Motors muss das Benutzerhandbuch des Herstellers gelesen und verstanden werden. Bei Unterlassung kann Personenverletzung oder Materialschaden entstehen.
2. Um Feuergefahr zu vermeiden und genügend Ventilation zu erlauben, muss der Motor mindestens 1 Meter von Gebäuden und anderen Maschinen entfernt sein wenn er in Betrieb ist. Keine brennbaren Gegenstände in der Nähe des Motors aufbewahren.
3. Personen, die das Gerät nicht bedienen, dürfen den Betriebsbereich nicht betreten, da die Möglichkeit besteht Verbrennungen von heißen Motorenteilen oder

Verletzungen durch Geräte, die zur Bedienung des Motors benutzt werden, zu erleiden.

4. Seien Sie vertraut damit, wie Sie den Motor schnell abstellen können und wissen Sie Bescheid über alle Bedienungselemente und deren Handhabung. Erlauben Sie niemandem, den Motor ohne sachgerechte Anleitung zu bedienen.
5. Benzin ist äusserst flammbar und unter bestimmten Bedingungen explosiv.
6. Tanken Sie Benzin nur in einem gut durchlüfteten Bereich nach, nachdem der Motor abgestellt wurde. Rauchen Sie nicht und erlauben Sie keine Flammen oder Funken im Bereich in welchem aufgetankt wird oder Benzin aufbewahrt wird.
7. Ueberfüllen Sie den Benzintank nicht. Nach dem Auftanken, vergewissern Sie sich, dass die Tankverschlusskappe richtig und sicher aufgeschraubt ist.
8. Seien Sie darauf bedacht, beim Auftanken kein Benzin zu verschütten. Benzindämpfe oder verschüttetes Benzin könnte sich entflammen. Falls Benzin verschüttet wurde, vergewissern Sie sich, dass der Bereich trocken ist, bevor Sie den Motor starten.
9. Lassen Sie den Motor nie in einem geschlossenen oder engen Bereich laufen. Abgase enthalten giftige Kohlenmonoxidgase; diesen ausgesetzt läuft man Gefahr das Bewusstsein zu verlieren und es kann sogar zu Tod führen.
10. Der Auspuff wird während des Laufens des Motors sehr heiss und bleibt nach abstellen des Motors noch für eine Weile heiss. Seien Sie darauf Bedacht, den Auspuff nicht zu berühren, solange er noch heiss ist. Um schwere Verbrennungen oder Feuergefahr zu vermeiden, lassen Sie den Motor abkühlen, bevor Sie ihn transportieren oder in einem Innenraum aufbewahren.
11. Verschiffen oder transportieren Sie die Sprühanlage niemals mit Benzin im Tank.



Benutzen Sie diese Anlage NICHT um Wasser oder Säuren zu spritzen.

### 1.6 BETANKEN (BENZINMOTOR)



Benzin ist äusserst entflammbar und unter bestimmten Bedingungen sogar explosiv.

#### TECHNISCHE ANGABEN ZUM TREIBSTOFF

- Verwenden Sie Benzin mit einer Mindest-Oktananzahl von 86 oder mit einer Mindest-Research-Oktananzahl von 91. Die Verwendung eines Treibstoffes mit einer geringeren Oktananzahl kann zu ständigem "Motorklopfen" oder starkem "Klopfen" (ein metallisches klopfendes Geräusch) führen, das zu einem Motorschaden führen kann, wenn dieser zu stark ist.



Wechseln Sie die Treibstoffmarke, wenn das "Klopfen" oder "Motorklopfen" bei einer stetigen Motorgeschwindigkeit unter normaler Belastung auftritt. Bleibt das Klopfen bzw. Motorklopfen, setzen Sie sich mit einem autorisierten Händler des Motorherstellers in Verbindung. Bei Nichteinhaltung gilt dies als Fehlgebrauch und Schäden durch Fehlgebrauch sind nicht durch die Herstellergarantie gedeckt.

Gelegentlich entsteht ein leichtes Klopfen, wenn das Gerät stark belastet wird. Das ist kein Grund zur Beunruhigung. Dies bedeutet nur, dass der Motor effizient funktioniert.

- Bleifreier Treibstoff verursacht weniger Ablagerungen im Motor und in den Zündkerzen und verlängert die Lebensdauer der Komponenten des Abgassystems.
- Verwenden Sie niemals abgestandenes oder verschmutztes Benzin und/oder ein Öl-/Benzingemisch. Vermeiden Sie, dass Schmutz, Staub oder Wasser in den Treibstofftank gelangen.

#### KRAFTSTOFF AUS BENZIN-ALKOHOL-GEMISCH

Wenn Sie sich für einen Kraftstoff aus einem Benzin-Alkohol-Gemisch (Gasohol) entscheiden, müssen Sie darauf achten, dass dessen Oktanzahl mindest so hoch ist, wie diese vom Motorenhersteller empfohlen wird. Es gibt zwei Arten von Benzin-Alkohol-Gemisch: die eine enthält Ethanol und die andere Methanol. Verwenden Sie kein Gasohol, das mehr als 10% Ethanol enthält. Verwenden Sie kein Benzin-Methanol-Gemisch (Methyl oder Holzalkohol), das keine Zusatzlösungsmittel und Korrosionshemmstoffe für Methanol enthält. Verwenden Sie niemals Benzin, das mehr als 5 % Methanol enthält, auch dann nicht, wenn es Zusatzlösungsmittel und Korrosionshemmstoffe enthält.



Eine Beschädigung des Treibstoffsystems bzw. Probleme mit der Motorenleistung, die aus der Verwendung von Treibstoff resultieren, der Alkohol enthält, werden von der Gewährleistung nicht gedeckt. Der Motorenhersteller kann nicht die Verwendung von Treibstoffen befürworten, die Methanol enthalten, das es noch nicht als erwiesen gilt, dass sich diese hierfür eignen.

Versuchen Sie herauszufinden, ob das Benzin Alkohol enthält, bevor Sie Benzin von einer Ihnen unbekannt Tankstelle beschaffen. Falls dieses Alkohol enthält, überprüfen Sie die Art und den Anteil des verwendeten Alkohols. Stellen Sie bei der Verwendung von alkoholhaltigem Benzin bzw. von dem Sie annehmen, dass es Alkohol enthält, unerwünschtes Betriebsverhalten fest, stellen Sie auf ein Benzin um, von dem Sie wissen, dass es kein Alkohol enthält.



## 2 ANWENDUNGSÜBERSICHT

### 2.1 EINSATZGEBIETE

Hauptanwendungsgebiete sind dicke Schichten von höherviskosem Beschichtungsstoff bei großen Flächen und hohem Materialeinsatz.

Grundierung und Schlussbeschichtung von Großflächen, Versiegelung, Imprägnierung, Bausanierung, Fassadenschutz und Fassadenrenovierung, Rostschutz und Bautenschutz, Dachbeschichtung, Dachabdichtung, Betonsanierung, sowie schwerer Korrosionsschutz.

#### SPRITZOBJEKT-BEISPIELE

Großbaustellen, Tiefbau, Kühltürme, Brücken, Kläranlagen und Flachdächer.

#### BETRIEBSTEMPERATUR

Dieses Gerät funktioniert einwandfrei in seiner für ihn vorgesehen Raumtemperatur zwischen +10°C und +40°C.

#### RELATIVE FEUCHTIGKEIT

Das Gerät funktioniert in einem Umfeld mit einer relativen Feuchtigkeit von 50%, bei +40°C einwandfrei. Eine höhere relative Feuchtigkeit stellt bei niedrigeren Temperaturen kein Problem dar.

Der Käufer des Geräts muss Maßnahmen ergreifen, um die schädigenden Auswirkungen der gelegentlichen Kondensation zu vermeiden.

#### HÖHE

Dieses Gerät funktioniert in einer Höhe von bis zu 2100m über n.n. einwandfrei.

#### TRANSPORT UND AUFBEWAHRUNG

Dieses Gerät hält Transport- bzw. Aufbewahrungstemperaturen von -25°C bis + 55°C, kurzzeitig auch bis zu +70°C, stand bzw. ist dagegen geschützt.

Es wurde so verpackt, dass es Beschädigungen durch die Auswirkungen von normaler Feuchtigkeit, Erschütterungen und Stößen standhält.

### 2.2 BESCHICHTUNGSTOFFE

#### VERARBEITBARE BESCHICHTUNGSTOFFE

Wasserverdünnbare und lösemittelhaltige Lacke und Lackfarben, Zweikomponenten Beschichtungsstoffe, Dispersionen, Latexfarben.

Die Verarbeitung anderer Beschichtungsstoffe sollte nur nach Rückfrage bei der Firma Wagner erfolgen, da die Haltbarkeit und auch die Sicherheit des Gerätes dadurch beeinträchtigt werden können.



Achten Sie auf Airless-Qualität bei den zu verarbeitenden Beschichtungsstoffen.

#### VISKOSITÄT

Das Gerät ist in der Lage Beschichtungsstoffe mit einer Viskosität bis zu 50.000 / 65.000 mPas zu verarbeiten. Lässt die Spritzleistung bei hochviskosen Beschichtungsstoffen zu stark nach, so ist nach Herstellerangabe zu verdünnen.

Beschichtungsstoff vor Arbeitsbeginn gut umrühren.



Achtung: Beim Aufrühren mit motorgetriebenen Rührwerken darauf achten, dass keine Luftblasen eingerührt werden. Luftblasen stören beim Spritzen, können sogar zur Betriebsunterbrechung führen.

#### BESCHICHTUNGSTOFFE MIT SCHARFKANTIGEN ZUSATZSTOFFEN

Diese Partikel üben auf Ventile und Düse, aber auch auf die Spritzpistole eine stark verschleißende Wirkung aus. Die Lebensdauer dieser Verschleißteile wird dadurch erheblich beeinträchtigt.

#### ZWEIKOMPONENTEN-BESCHICHTUNGSTOFF

Die entsprechende Verarbeitungszeit ist genau einzuhalten. Innerhalb dieser Zeit das Gerät sorgfältig mit dem entsprechenden Reinigungsmittel durchspülen und reinigen.

#### FILTERUNG

Für einen störungsfreien Betrieb ist eine ausreichende Filterung erforderlich. Das System ist mit einem Saugfilter, einem Einschubfilter in der/den Spritzpistole(n) und einem Hochdruckfilter am System ausgestattet. Eine regelmäßige Kontrolle dieser Filter auf Beschädigung oder Verschmutzung ist dringend zu empfehlen.

Beim Gebrauch dieses Spritzgerätes mit Spritzpachtel Spritzmaterialien ist es wichtig, dass der Filter im inneren der Spritzpistole zuerst entfernt wird. Siehe Abschnitt 6.5.



### 3 GERÄTEBESCHREIBUNG

#### 3.1 AIRLESS VERFAHREN

Hauptanwendungsgebiete sind dicke Schichten von höherviskosem Beschichtungsstoff bei großen Flächen und hohem Materialeinsatz.

Eine Kolbenpumpe saugt den Beschichtungsstoff an und fördert ihn unter Druck zur Düse. Bei einem Druck bis max. 250 bar (25 MPa) durch die Düse gepresst, zerstäubt der Beschichtungsstoff. Dieser hohe Druck bewirkt eine mikrofeine Zerstäubung des Beschichtungstoffes.

Da in diesem System keine Luft verwendet wird, bezeichnet man dieses Verfahren als AIRLESS-Verfahren (luftlos).

Diese Art zu spritzen bringt die Vorteile von feinsten Zerstäubung, nebelarmer Betriebsweise und glatter, blasenfreier Oberfläche. Neben diesen Vorteilen sind die Arbeitsgeschwindigkeit und die große Handlichkeit zu nennen.

#### 3.2 FUNKTION DES GERÄTES

Zum besseren Verständnis der Funktion kurz der technischen Aufbau.



Dieses Handbuch bietet Ihnen Informationen sowohl zu elektrischen Motoren als auch Benzinmotoren des Typs HeavyCoat.

Wagner HeavyCoat sind mit Benzinmotor oder Elektromotor angetriebene Hochdruckspritzgeräte.

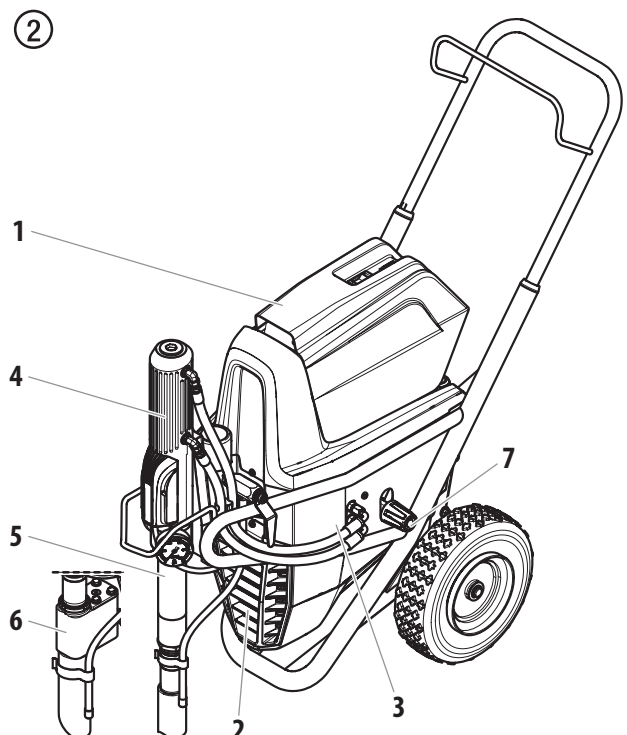
Der Benzinmotor oder Elektromotor (Abb. 1, Pos. 1) treibt über den Keilriemen unter der Riemenabdeckung (2) die Hydraulikpumpe (3) an. Hydrauliköl fließt zum Hydraulikmotor (4) und bewegt dann den Kolben in der Materialförderpumpe (5) auf und ab.

Bei den Geräte HC 750 SSP bewegt der Kolben in der Materialförderpumpe einen Schöpfkolben (6). Der Schöpfkolben fördert höchstviskose Beschichtungsstoffe.



Durch die Aufwärtsbewegung des Kolbens öffnet das Einlassventil selbstständig. Bei der Abwärtsbewegung des Kolbens öffnet das Auslassventil.

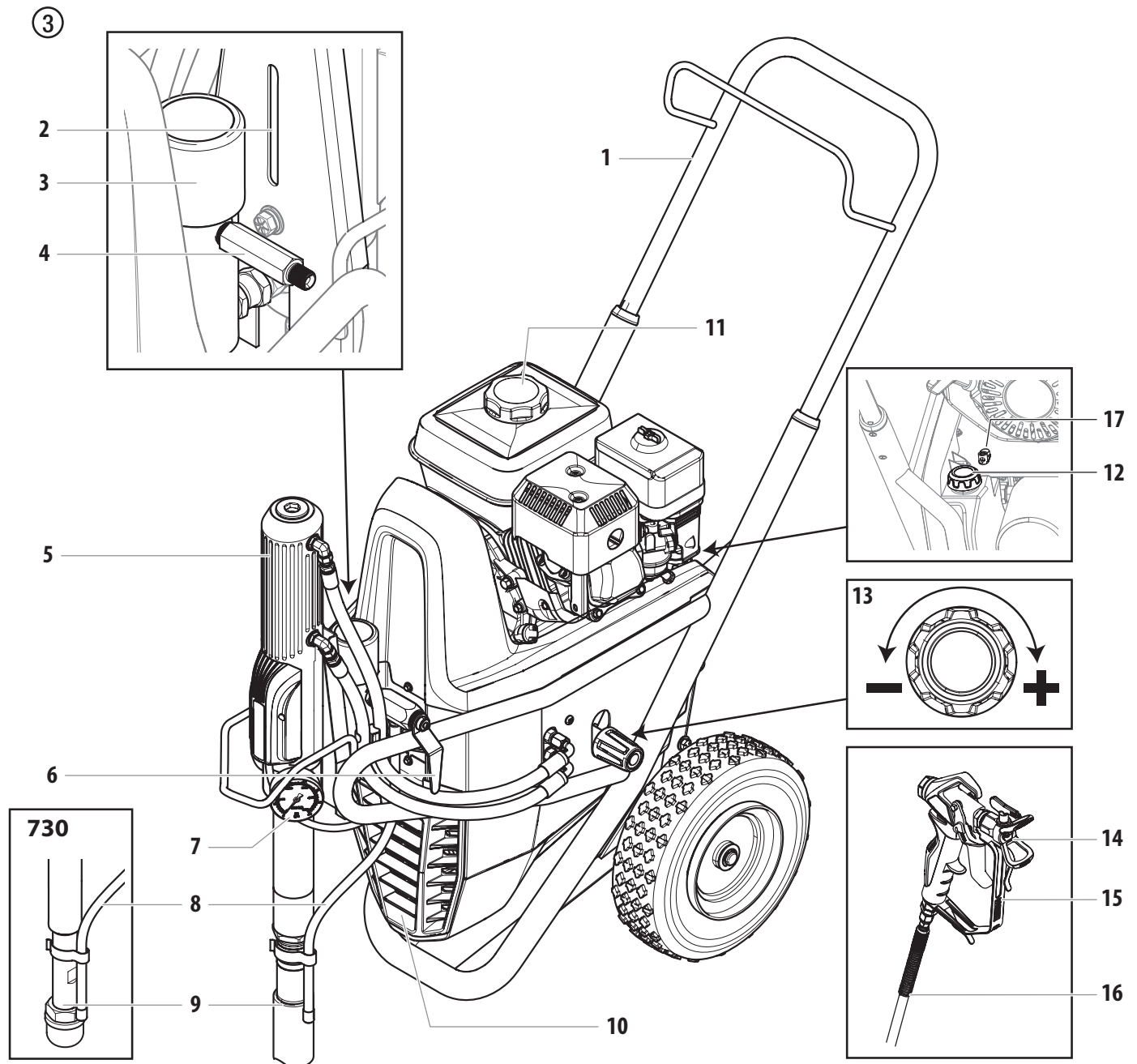
Der Beschichtungsstoff strömt unter hohem Druck durch den Hochdruckschlauch zur Spritzpistole. Bei Austritt aus der Düse zerstäubt der Beschichtungsstoff.

Das Druckregelventil (7) regelt die Fördermenge und den Betriebsdruck des Beschichtungsstoffs.



### 3.3 ERKLÄRUNGSBILD HEAVYCOAT-GERÄTE MIT BENZINMOTOR

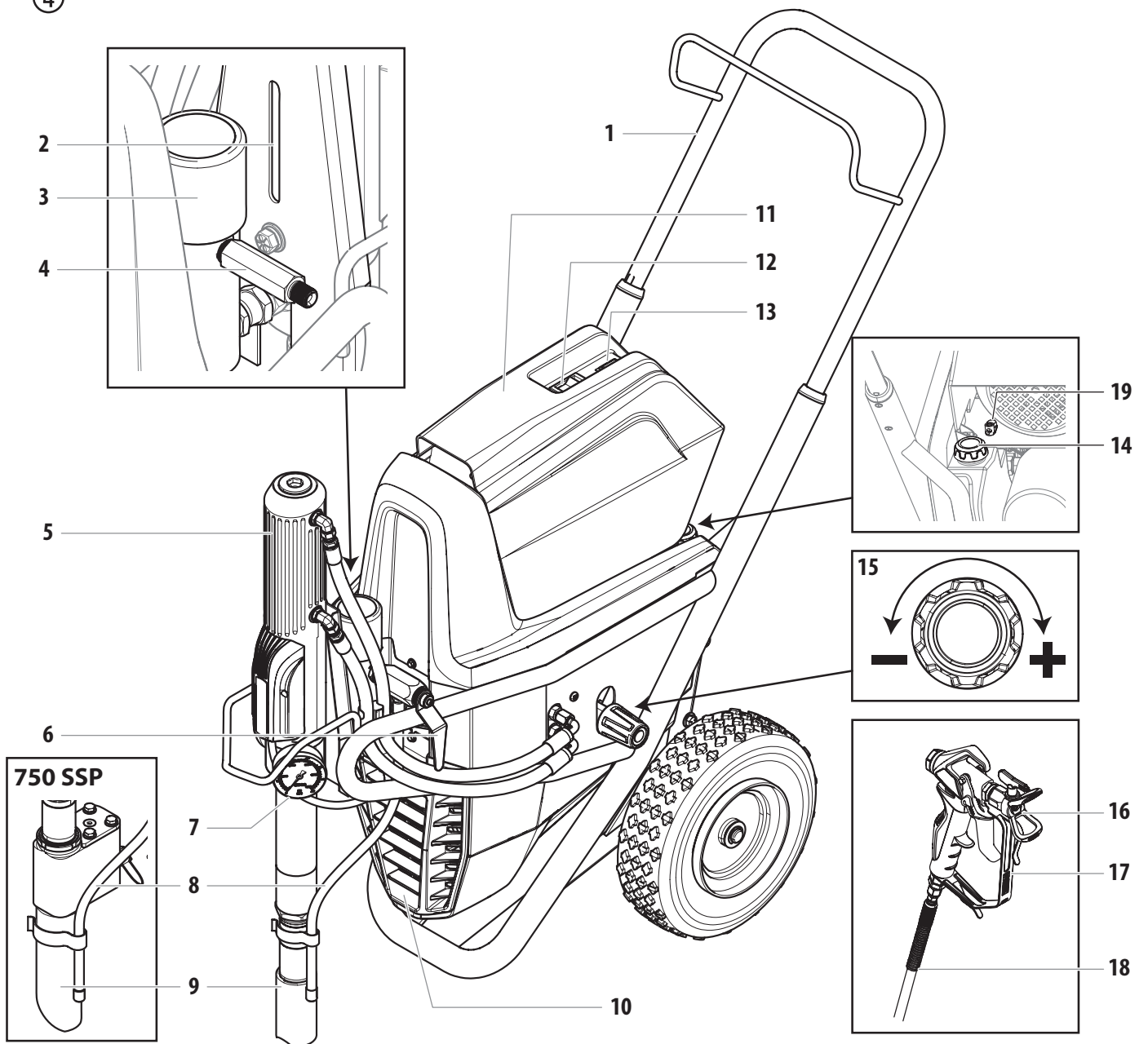
- |   |   |   |
|---|---|---|
| 1. Deichsel ausziehbar  | 6. Entlastungsventilhandgriff<br>Nach links drehen Zirkulation <br>Nach rechts drehen Spritzen  | 12. Ölmesstab                               |
| 2. Einfüllöffnung für Trennöl<br>(Trennöl verhindert erhöhten Verschleiß der Packungen) | 7. Manometer  | 13. Druckregulierknopf                      |
| 3. Hochdruckfilter  | 8. Rücklaufschlauch   | 14. Düsenschutzvorrichtung mit Airless Düse |
| 4. Hochdruckschlauchauslass   | 9. Ansaugschlauch   | 15. Spritzpistole                           |
| 5. Hydraulikmotor   | 10. Keilriemen unter der Riemenabdeckung  | 16. Hochdruckschlauch                       |
|   | 11. Benzinmotor   | 17. Erdungsschiene                          |



3.4 ERKLÄRUNGSBILD HEAVYCOAT-GERÄTE MIT ELEKTROMOTOR

- |   |   |   |
|---|---|---|
| 1. Deichsel ausziehbar  | 6. Entlastungsventilhandgriff<br>Nach links drehen Zirkulation ↻<br>Nach rechts drehen Spritzen ⤴ | 13. Kontrollleuchte zeigt Betriebsbereitschaft an |
| 2. Einfüllöffnung für Trennöl<br>(Trennöl verhindert erhöhten Verschleiß der Packungen) | 7. Manometer  | 14. Ölmesstab                                     |
| 3. Hochdruckfilter  | 8. Rücklaufschlauch   | 15. Druckregulierknopf                            |
| 4. Hochdruckschlauchauslass   | 9. Ansaugschlauch   | 16. Düsenschutzvorrichtung mit Airless Düse       |
| 5. Hydraulikmotor   | 10. Keilriemen unter der Riemenabdeckung  | 17. Spritzpistole                                 |
|   | 11. Elektromotor  | 18. Hochdruckschlauch                             |
|   | 12. EIN/AUS-Schalter  | 19. Erdungsschiene                                |

④



## 3.5 TECHNISCHE DATEN

|  | HeavyCoat 730 (gas)                      | HeavyCoat 750 (230V)                 | HeavyCoat 750 SSP (230V)             | HeavyCoat 750 (gas)                   | HeavyCoat 770 (gas)                  |
|--|--|--------------------------------------|--------------------------------------|---------------------------------------|--------------------------------------|
| <b>Benzinmotor, Leistung</b>                   |  |                                      |                                      |                                       |                                      |
| Honda  | 163cc, 4.9 Hp, 3.6 kW                    | -----                                | -----                                | 196cc, 5.6 Hp, 4.1 kW                 | 270cc, 8.4 Hp, 6.2 kW                |
| <b>Tankinhalt</b>                              |  |                                      |                                      |                                       |                                      |
|  | 3,1 l                                    | -----                                | -----                                | 3,1 l                                 | 6,06 l                               |
| <b>Spannung</b>                                |  |                                      |                                      |                                       |                                      |
|  | -----                                    | ~ 230V, 50/60 Hz                     | ~ 230V, 50/60 Hz                     | -----                                 | -----                                |
| <b>Aufnahmeleistung</b>                        |  |                                      |                                      |                                       |                                      |
|  | -----                                    | 3,1 kW                               | 3,1 kW                               | -----                                 | -----                                |
| <b>Geräteanschlussleitung</b>                  |  |                                      |                                      |                                       |                                      |
|  | -----                                    | 3 x 2.5 mm <sup>2</sup> – 6 m        | 3 x 2.5 mm <sup>2</sup> – 6 m        | -----                                 | -----                                |
| <b>Absicherung</b>                             |  |                                      |                                      |                                       |                                      |
|  | -----                                    | 15 A                                 | 15 A                                 | -----                                 | -----                                |
| <b>max. Betriebsdruck</b>                      |  |                                      |                                      |                                       |                                      |
|  | 25 MPa (250 bar)                         | 25 MPa (250 bar)                     | 25 MPa (250 bar)                     | 25 MPa (250 bar)                      | 25 MPa (250 bar)                     |
| <b>max. Schalldruckpegel:</b>                  |  |                                      |                                      |                                       |                                      |
|  | 92 dB (A)*                               | 80 dB (A)*                           | 80 dB (A)*                           | 92 dB (A)*                            | 98 dB (A)*                           |
| <b>max. Düsengröße mit einer Spritzpistole</b> |  |                                      |                                      |                                       |                                      |
| 1-Spritzpistole                                | 0,041" – 1,04 mm                         | 0,043" – 1,09 mm                     | 0,043" – 1,09 mm                     | 0,047" – 1,19 mm                      | 0,055" – 1,40 mm                     |
| 2-Spritzpistole                                | 0,029" – 0,73 mm                         | 0,031" – 0,79 mm                     | 0,031" – 0,79 mm                     | 0,033" – 0,84 mm                      | 0,039" – 0,99 mm                     |
| 3-Spritzpistole                                | 0,021" – 0,53 mm                         | 0,023" – 0,58 mm                     | 0,023" – 0,58 mm                     | 0,027" – 0,68 mm                      | 0,031" – 0,79 mm                     |
| 4-Spritzpistole                                | 0,019" – 0,48 mm                         | 0,021" – 0,53 mm                     | 0,021" – 0,53 mm                     | 0,023" – 0,58 mm                      | 0,027" – 0,68 mm                     |
| <b>max. Volumenstrom</b>                       |  |                                      |                                      |                                       |                                      |
|  | 6,00 l/min                               | 6,00 l/min                           | 6,00 l/min                           | 7,60 l/min                            | 11,4 l/min                           |
| <b>Gewicht</b>                                 |  |                                      |                                      |                                       |                                      |
|  | 78 kg                                    | 85 kg                                | 87 kg                                | 81 kg                                 | 90 kg                                |
| <b>Ansaugsystem</b>                            |  |                                      |                                      |                                       |                                      |
|  | Standard                                 | Tauchfähig                           | Schöpfkolben                         | Tauchfähig                            | Tauchfähig                           |
| <b>max. Viskosität</b>                         |  |                                      |                                      |                                       |                                      |
|  | 50.000 mPa·s                             |                                      |                                      | 65.000 mPa·s                          |                                      |
| <b>Abmessungen L x H x B</b>                   |  |                                      |                                      |                                       |                                      |
|  | 1090 x 660 x 866 mm                      |                                      |                                      |                                       |                                      |
| <b>max. Temperatur des Beschichtungsstoffs</b> |  |                                      |                                      |                                       |                                      |
|  |  |                                      |                                      |                                       |                                      |
| <b>Filtereinsatz (Standardausführung)</b>      |  |                                      |                                      |                                       |                                      |
|  | Filterfeinheit 50, 18 in <sup>2</sup>    | Filterfeinheit 0, 18 in <sup>2</sup> | Filterfeinheit 0, 18 in <sup>2</sup> | Filterfeinheit 50, 18 in <sup>2</sup> | Filterfeinheit 5, 18 in <sup>2</sup> |
| <b>Hydrauliköl-Füllmenge</b>                   |  |                                      |                                      |                                       |                                      |
|  | 5,9 l (1,56 gal)                         |                                      |                                      |                                       |                                      |
| <b>max. Reifendruck</b>                        |  |                                      |                                      |                                       |                                      |
|  | 0,2 MPa (2 bar, 30 PSI)                  |                                      |                                      |                                       |                                      |
| <b>Spezial-Hochdruckschlauch</b>               |  |                                      |                                      |                                       |                                      |
|  | DN 6 mm, 15 m, Anschlussgewinde NPSM 1/4 |                                      |                                      |                                       |                                      |

\* Messort: Abstand 1 m seitlich vom Gerät und 1,60 m über schallhartem Boden, 12 MPa (120 bar) Betriebsdruck.

### 3.6 TRANSPORT



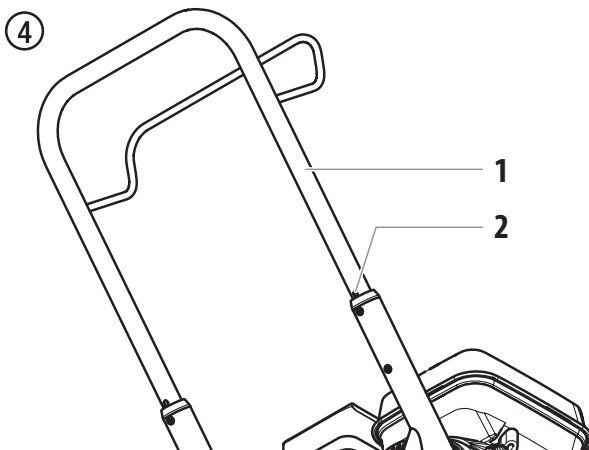
Beim Auf- oder Abladen, nicht an der Deichsel halten.  
Gerät ist sehr schwer. Muss von drei Personen getragen werden.

#### TRANSPORT IM FAHRZEUG

Gerät mit geeignetem Befestigungsmittel sichern.

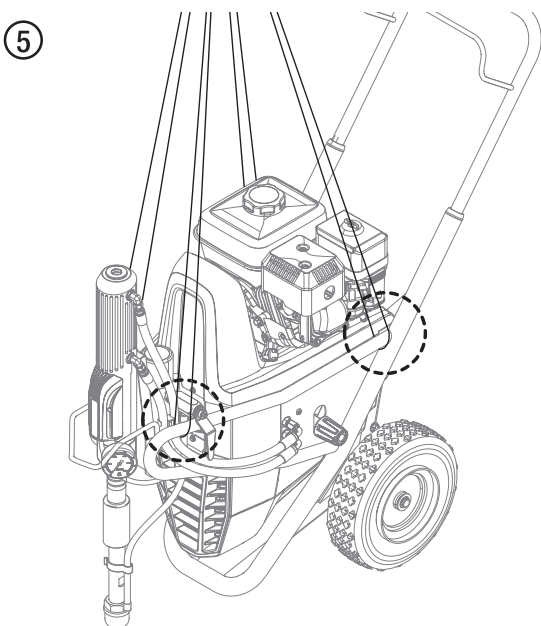
#### GERÄT SCHIEBEN ODER ZIEHEN

Handgriff (Abb. 4, Pos. 1) bis zum Anschlag herausziehen.  
Handgriff einfahren – Druckknöpfe (2) an den Holmen eindrücken, dann Handgriff einfahren.



### 3.7 KRANTRANSPORT

Anhängepunkte für die Bänder oder Seile, siehe Abbildung 5.



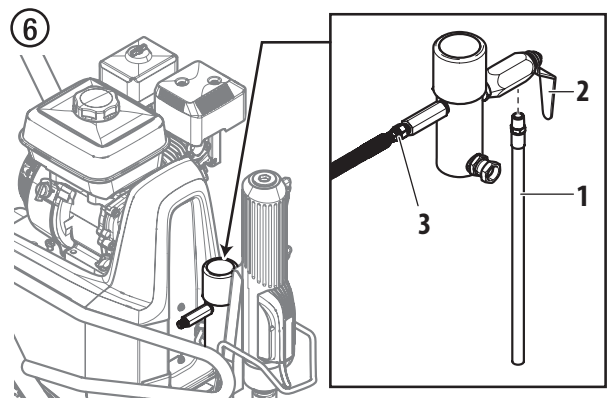
## 4 BEDIENUNG



Diese Komponente produziert einen Flüssigkeitsstrom bei extrem hohem Druck. Lesen und verstehen Sie die Hinweise im Abschnitt über die Sicherheitsvorkehrungen am Anfang dieses Handbuchs, bevor Sie dieses Gerät benutzen.

### 4.1 EINRICHTUNG

1. Achten Sie darauf, dass der Entlüftungsschlauch (Abb. 6, Pos. 1) an das Entlüftungsventil (2) geschraubt ist. Es verfügt über ein werkseitig installiertes PTFE-band am Beschlag und muss mit einem Schraubenschlüssel festgezogen werden.
2. Schließen Sie einen mindestens 15 m langen Airless Spritzschlauch aus Nylon an das Spritzgerät an. Verwenden Sie kein PTFE-band bzw. Gewindedichtungsmittel auf der Spritzschlauchverbindung.

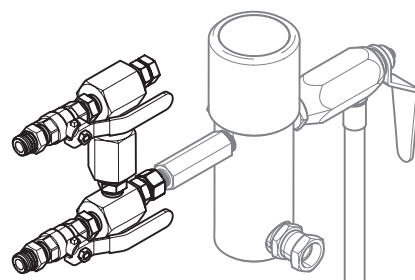


3. Schließen Sie ein Airless Hochdruck-Spritzgerät an den Spritzschlauch an. Setzen Sie die Spitze noch nicht auf die Spritzpistole. Entfernen Sie die Spitze, wenn diese bereits angebracht ist.



Bei Mehrpistolenbetrieb ist ein Mehrfachverteiler an einen einzelnen Pistolenauslass anzuschließen. Schließen Sie einen Schlauch und eine Pistole an jeden Auslass an. Achten Sie darauf, dass der zweite Pistolenauslass verschlossen ist. Befolgen Sie die "Technischen Daten" in Abschnitt 3,5, um die Anzahl der Pistolen sowie die maximale Größe der Spritzdüse festzulegen.

7



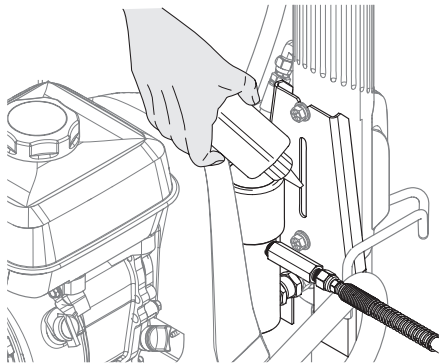
4. Die Ölschale zur Hälfte mit EasyGlide (Bestell-Nr. 0508619) füllen. Dadurch verlängert sich die Nutzungsdauer der Packungsdichtung.



Achtung

EasyGlide verhindert erhöhten Verschleiss der Packungen.

⑧



5. Die Stand der Hydraulikflüssigkeit täglich vor Inbetriebnahme des Spritzgeräts überprüfen. Der Hydraulikflüssigkeitspegel sollte den Messstab unten berühren. Wartungsanleitungen für die Hydraulik finden Sie im Wartungsabschnitt dieses Handbuchs.



Achtung

Für die Hydraulikanlage das von Wagner zugelassene Hydraulikfluid (Bestell-Nr. 0555425) verwenden. Keine anderen Hydraulikflüssigkeiten verwenden. Bei Verwendung anderer Hydraulikflüssigkeiten kann die Hydraulikanlage schwere Schäden erleiden, und die Garantie erlischt.

6. Benzinmotor - Den Motorölstand täglich vor Inbetriebnahme des Spritzgeräts kontrollieren. Der Ölstand im Benzinmotor wird vom Motorhersteller festgelegt. Weitere Informationen finden Sie in der Bedienanleitung des Motorherstellers, die mit diesem Spritzgerät geliefert wurde.
7. Verwenden Sie bei elektrischen Modellen einen 15 Amper Stromanschluss. Das elektrische Modell muss stets in einer Entfernung von 3 bis 4,5 m zum Stromanschluss stehen. Verwenden Sie ein kurzes Stromkabel und einen langen Farbschlauch. Verlängerungskabel verursachen einen Spannungsabfall. Wenn ein Verlängerungskabel erforderlich ist, darf nur ein geerdetes 3-drahtiges #12 Verlängerungskabel verwendet werden.

8. Das Spritzgerät muss geerdet sein. Alle Spritzgeräte sind mit einer Erdschraube versehen. Das Spritzgerät sollte mit einem Erdkabel mit einer guten Erde verbunden werden. Detaillierte Anweisungen zur Erdung finden Sie in den vor Ort geltenden Elektroschaltvorschriften.



Eine richtige Erdung ist sehr wichtig. Dies gilt sowohl für Benzin- als auch für elektrisch betriebene Geräte. Beim Transport bestimmter Medien durch den Nylonschlauch entsteht eine elektrostatische Aufladung, die bei einer Entladung Lösungsmitteldämpfe entzünden und eine Explosion verursachen könnte.

9. Alle Farben mit einem Nylonvorfilter filtern, um einen problemfreien Betrieb sicherzustellen und eine häufige Reinigung des Zulaufsiebs und des Spritzpistolenfilters zu vermeiden.
10. Der Arbeitsbereich muss gut belüftet sein, um den gefährlichen Betrieb mit flüchtigen Lösungsmitteln oder Abgasen zu vermeiden.



Muss ein Lack bzw. entzündbare Materialien gespritzt werden, muss das Spritzgerät IMMER außerhalb des unmittelbaren Spritzbereichs stehen. Bei nicht Einhaltung besteht Explosionsgefahr.

11. Positionieren Sie das Spritzgerät außerhalb des unmittelbaren Spritzbereichs, um zu vermeiden, dass der Lufteinlass des Motors durch Farbspritzer verstopft wird.



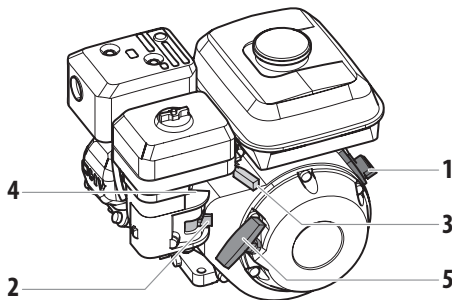
## 4.2 START DES BENZINMOTORS (BENZINMODELLE)



Befolgen Sie die folgenden Anweisungen, wenn Sie in diesem Handbuch für das Anlassen des Motors dazu aufgefordert werden.

1. Den Hebel für das Benzinventil (Abb. 9, pos. 2) öffnen.
2. Drosselklappe (3) auf Mitte einstellen.
3. Den Choke hebel (4) bei kaltem Motor in die geschlossene oder bei warmem Motor in die offene Stellung bringen,
4. Den Motorschalter (1) in die Stellung ON (Ein) drehen.
5. Ruckartig an der Anlasserleine (5) ziehen, bis der Motor anspringt.

9



Wenn der Choke-Hebel (4) in die geschlossene Position bewegt wurde, um den Motor anzulassen, muss dieser wieder geöffnet werden, sobald der Motor läuft.

## 4.3 VORBEREITUNG EINES NEUEN SPRITZGERÄTS



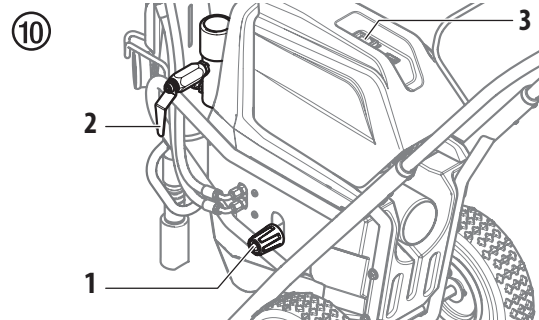
Ist das Spritzgerät neu, wird es mit Testflüssigkeit im Flüssigkeitsbehälter ausgeliefert, um eine Korrosion während der Lieferung und Lagerung zu vermeiden. Diese Testflüssigkeit muss mit geeignetem Reinigungsmittel einschwemmen gründlich aus dem System entfernt werden, bevor mit den Spritzarbeiten begonnen wird.



Achtung



Den Auslöser der Spritzpistole stets verriegelt lassen, während das System auf die Inbetriebnahme vorbereitet wird. Siehe Benutzerhandbuch Spritzpistole bezüglich der Abzugsverriegelung.

1. Das den Ansaugschlauch in einen Behälter mit geeignetem Reinigungsmittel einschwemmen.
2. Den Ablassschlauch in einen Metallabfallbehälter hängen.
3. Den Druck auf Minimum einstellen. Dazu den Druckreglerknopf (Abb. 10, Pos. 1) ganz nach links drehen.
4. Das Ablassventil (3) ganz nach links drehen, um es zu öffnen.

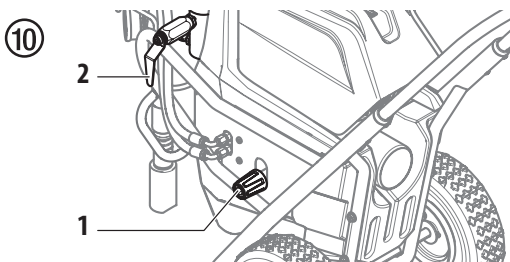


5. Benzinmotor starten oder Elektromotor starten.
  - a. Befolgen Sie die in Abschnitt 4.2 beschriebenen Schritte, um den Benzinmotor anzulassen.
  - b. Um den Elektromotor anzulassen, drücken und halten Sie den Schalter EIN/AUS (3) in der Position EIN, bis der Elektromotor die volle Drehzahl erreicht hat, dann lassen Sie den Schalter los.
6. Den Druckreglerknopf (Abb. 10, Pos. 1) etwa ein Drittel nach rechts drehen, um den Druck zu erhöhen, bis das Spritzgerät gleichmäßig arbeitet und aus dem Ablassschlauch Lösungsmittel austritt.
7. Das Spritzgerät 15–30 Sekunden laufen lassen, um die Testflüssigkeit aus dem Ablassschlauch zu spülen und in den Abfallbehälter zu entleeren.
8. Das Spritzgerät abschalten.
  - a. Zum Ausschalten des Benzinmotors
    - den Druck auf Minimum einstellen. Dazu den Druckreglerknopf ganz nach links drehen.
    - den Drosselklappenhebel in die Position für niedrige Drehzahl bringen und
    - den Motorschalter in die Stellung OFF (Aus) drehen.
  - b. Um den elektrischen Motor abzuschalten,
    - den Druck auf Minimum einstellen. Dazu den Druckreglerknopf ganz nach links drehen.
    - stellen Sie den EIN/AUS-Knopf auf AUS.

#### 4.4 VORBEREITUNG DER FARBE


|   |   |
|---|---|
|                    | <p>Vor der Farbgebung muss kontrolliert werden, ob die Flüssigkeit in dem System kompatibel mit der Farbe ist, die verwendet werden soll.</p> <p>Wenn Flüssigkeit und Farbe inkompatibel sind, können die Ventile verkleben, so dass der Flüssigkeitsbehälter des Spritzgeräts zerlegt und gereinigt werden muss.</p> |
| <br><b>Achtung</b> | <p>Den Auslöser der Spritzpistole stets verriegelt lassen, während das System auf die Inbetriebnahme vorbereitet wird. Siehe Benutzerhandbuch Spritzpistole bezüglich der Abzugsverriegelung.</p>   |

1. Das den Ansaugschlauch in einen Behälter mit dem geeigneten Lösungsmittel hängen.
2. Den Ablassschlauch in einen Metallabfallbehälter hängen.
3. Den Druck auf Minimum einstellen (Abb. 10, Pos. 1). Dazu den Druckreglerknopf ganz nach links drehen.
4. Das Ablassventil (2) ganz nach links drehen, um es zu öffnen.




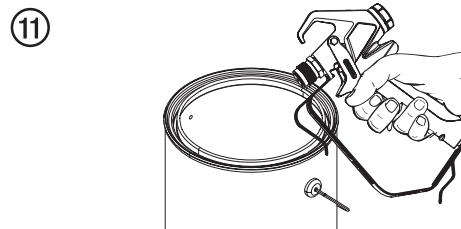
5. Benzinmotor starten oder Elektromotor starten.
  - a. Befolgen Sie die in Abschnitt 4.2 beschriebenen Schritte, um den Benzinmotor anzulassen.
  - b. Um den Elektromotor anzulassen, drücken und halten Sie den Schalter EIN/AUS (3) in der Position EIN, bis der Elektromotor die volle Drehzahl erreicht hat, dann lassen Sie den Schalter los.
6. Den Druckreglerknopf (Abb. 10, Pos. 1) etwa ein Drittel nach rechts drehen, um den Druck zu erhöhen, bis das Spritzgerät gleichmäßig arbeitet und aus dem Ablassschlauch Lösungsmittel austritt.
7. Das Spritzgerät 15–30 Sekunden laufen lassen, um die Testflüssigkeit aus dem Ablassschlauch zu spülen und in den Abfallbehälter zu entleeren.
8. Das Spritzgerät abschalten.
  - a. Zum Ausschalten des Benzinmotors
    - den Druck auf Minimum einstellen. Dazu den Druckreglerknopf ganz nach links drehen.
    - den Drosselklappenhebel in die Position für niedrige Drehzahl bringen und
    - den Motorschalter in die Stellung OFF (Aus) drehen.
  - b. Um den elektrischen Motor abzuschalten,
    - den Druck auf Minimum einstellen. Dazu den Druckreglerknopf ganz nach links drehen.

- stellen Sie den EIN/AUS-Knopf auf AUS.


|   |   |
|---|---|
|  | <p>Die Spritzpistole darf noch nicht mit einem Düsenschutz oder einer Düse versehen sein.</p> |
|---|---|

9. Schliessen Sie das Ablassventil, indem Sie es voll im Uhrzeigersinn drehen.
10. Benzinmotor starten oder Elektromotor starten.
11. Den Druckreglerknopf etwa ein Drittel nach rechts drehen, um den Druck zu erhöhen.
12. Die Spritzpistole entriegeln. Dazu die Verriegelung des Spritzpistolenauslösers in die entriegelte Stellung bringen.

|   |   |
|---|---|
|  | <p>Die Spritzpistole gegen die Kante eines Metallbehälters drücken, um sie während der Spülung zu erden. Anderenfalls können sich elektrostatische Aufladungen bilden, die Brände verursachen können.</p> |
|---|---|



13. Die ausgelöste Spritzpistole in einen Metallabfallbehälter halten, bis das alte Lösungsmittel entfernt ist und frisches Lösungsmittel austritt.
14. Verriegeln Sie die Pistole durch Drehen der Abzugsverriegelung in die verriegelte Position (siehe Handbuch Spritzpistole).
15. Die Spritzpistole nach unten halten und den Druck mit dem Druckreglerknopf vorsichtig durch Drehen nach rechts erhöhen.
16. Die gesamte Anlage auf Leckstellen kontrollieren. Werden Leckstellen festgestellt, die Schritte zur „Druckentlastung“, wie in dieser Bedienanleitung beschrieben, ausführen, bevor Schläuche oder Verschraubungen festgezogen werden.
17. Vor dem Wechsel von Lösungsmittel auf Farbe die in dieser Bedienanleitung beschriebenen Schritte zur „Druckentlastung“ (Section 4.6) ausführen.

|   |  |
|---|--|
|  | <p>Wird der Druck höher eingestellt, als zur Zerstäubung der Farbe erforderlich ist, kommt es zu vorzeitigem Düsenverschleiß und zu einem Übersprühen.</p> |
|---|--|

## 4.5 FARBGEBUNG

1. Das den Ansaugschlauch in einen Farbbehälter hängen.
2. Den Ablassschlauch in einen Metallabfallbehälter hängen.
3. Den Druck auf Minimum einstellen (Abb. 10, Pos. 1). Dazu den Druckreglerknopf ganz nach links drehen.
4. Das Ablassventil (2) ganz nach links drehen, um es zu öffnen.
5. Benzinmotor starten oder Elektromotor starten.
  - a. Befolgen Sie die in Abschnitt 4.2 beschriebenen Schritte, um den Benzinmotor anzulassen.
  - b. Um den Elektromotor anzulassen, drücken und halten Sie den Schalter EIN/AUS (3) in der Position EIN, bis der Elektromotor die volle Drehzahl erreicht hat, dann lassen Sie den Schalter los.
6. Den Druckreglerknopf etwa ein Drittel nach rechts drehen, um den Druck zu erhöhen, bis das Spritzgerät gleichmäßig arbeitet und aus dem Ablassschlauch Farbe austritt.
7. Das Spritzgerät abschalten.
  - a. Zum Ausschalten des Benzinmotors
    - den Druck auf Minimum einstellen. Dazu den Druckreglerknopf ganz nach links drehen.
    - den Drosselklappenhebel in die Position für niedrige Drehzahl bringen und
    - den Motorschalter in die Stellung OFF (Aus) drehen.
  - b. Um den elektrischen Motor abzuschalten,
    - den Druck auf Minimum einstellen. Dazu den Druckreglerknopf ganz nach links drehen.
    - stellen Sie den EIN/AUS-Knopf auf AUS.
8. Den Ablassschlauch aus dem Abfallbehälter nehmen und in den Farbbehälter hängen.
9. Das Ablassventil ganz nach rechts drehen
10. Benzinmotor starten oder Elektromotor starten.
11. Den Druckreglerknopf etwa ein Drittel nach rechts drehen, um den Druck zu erhöhen.
12. Die Spritzpistole entriegeln. Dazu die Verriegelung des Spritzpistolenauslösers in die entriegelte Stellung bringen.



Die Spritzpistole gegen die Kante eines Metallbehälters drücken, um sie während der Spülung zu erden. Anderenfalls können sich elektrostatische Aufladungen bilden, die Brände verursachen können.

13. Die Spritzpistole in einen Metallabfallbehälter halten und betätigen, bis Lösungsmittel und Luft komplett aus dem Sprühschlauch entfernt sind und die Farbe aus der Spritzpistole austritt.
14. Die Spritzpistole verriegeln. Dazu die Verriegelung des Spritzpistolenauslösers in die verriegelte Stellung bringen.
15. Das Spritzgerät abschalten.
16. Den Düsenschutz und die Düse an der Spritzpistole anbauen. Dabei die Hinweise in den Bedienanleitungen für Düsenschutz und Düse beachten.



**GEFAHR EINER FLÜSSIGKEITSINJEKTION** Keine Spritzarbeiten ohne den Düsenschutz durchführen. Den Auslöser der Spritzpistole nur betätigen, wenn der Düsenschutz entweder in der Spritzposition oder in der Position zur Düsenreinigung steht. Den Spritzpistolenauslöser immer verriegeln, bevor die Düse entfernt, ersetzt oder gereinigt wird.

17. Benzinmotor starten oder Elektromotor starten.
18. Den Druck durch langsames Drehen des Druckreglerknopfes nach rechts erhöhen und das Sprühmuster auf einem Stück Pappe kontrollieren. Den Druckreglerknopf so einstellen, dass die Spritzflüssigkeit vollkommen zerstäubt wird.



Wird der Druck höher eingestellt, als zur Zerstäubung der Farbe erforderlich ist, kommt es zu vorzeitigem Düsenverschleiß und zu einem Übersprühen.

## 4.6 VORGEHENSWEISE BEI DRUCKENTLASTUNG



Bei Außerbetriebnahme des Spritzgeräts die Schritte für die Druckentlastung genau einhalten. Dies gilt auch für die Einstellung von Teilen oder Wartungsarbeiten an Teilen der Spritzanlage, für die Reinigung oder den Wechsel von Sprühdüsen und für die Vorbereitung auf die Reinigung.

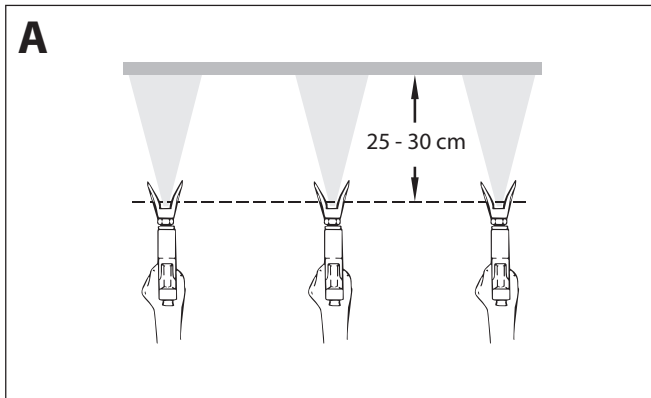
1. Die Spritzpistole verriegeln. Dazu den Spritzpistolenabzug in die verriegelte Stellung bringen.
2. Das Spritzgerät abschalten.
  - a. Zum Ausschalten des Benzinmotors
    - den Druck auf Minimum einstellen. Dazu den Druckreglerknopf ganz nach links drehen.
    - den Drosselklappenhebel in die Position für niedrige Drehzahl bringen und
    - den Motorschalter in die Stellung OFF (Aus) drehen.
  - b. Um den elektrischen Motor abzuschalten,
    - den Druck auf Minimum einstellen. Dazu den Druckreglerknopf ganz nach links drehen.
    - stellen Sie den EIN/AUS-Knopf auf AUS.
3. Die Spritzpistole entriegeln. Dazu die Verriegelung des Spritzpistolenauslösers in die entriegelte Stellung bringen (siehe Handbuch Spritzpistole).
4. Das Metallteil der Spritzpistole fest auf die Seitenwand eines Metallabfallbehälters drücken, um die Spritzpistole zu erden und elektrostatische Aufladungen zu vermeiden.
5. Den Auslöser der Spritzpistole drücken, um eventuell noch im Schlauch vorhandenen Druck abzubauen.
6. Die Spritzpistole verriegeln. Dazu die Verriegelung des Spritzpistolenauslösers in die verriegelte Stellung bringen (siehe Handbuch Spritzpistole).
7. Den Ablassschlauch in den Metallabfallbehälter hängen.
8. Das Ablassventil ganz nach links drehen, um es zu öffnen.

## 5 SPRITZTECHNIK

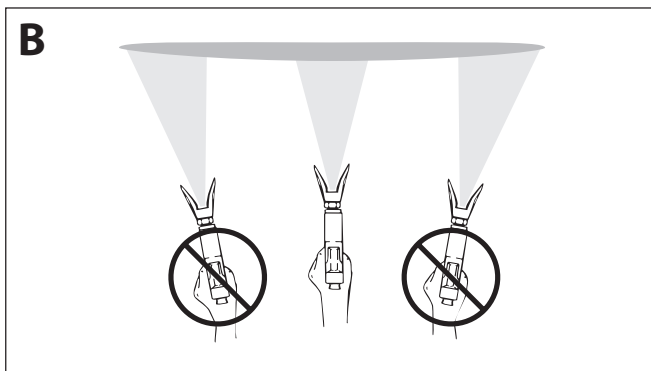


Injektionsgefahr. Nicht ohne richtig montierten Düsenschutz spritzen. Spritzpistolenabzug NIE drücken ohne dass die Düse vollständig auf die Spritz- oder Entstopfungsposition gesetzt ist. Spritzpistolenabzugsschloß IMMER vor Entfernung, Ersetzung, oder Reinigung der Düse drücken.

- A) Der Schlüssel zu einer guten Malarbeit ist gleichmäßiges Anstreichen der ganzen Oberfläche. Bewegen sie Ihren Arm mit gleicher Geschwindigkeit und halten Sie die Spritzpistole auf gleichen Abstand von der Oberfläche entfernt. Der beste Spritzabstand beträgt 25 - 30 cm zwischen der Spritzdüse und der Oberfläche.

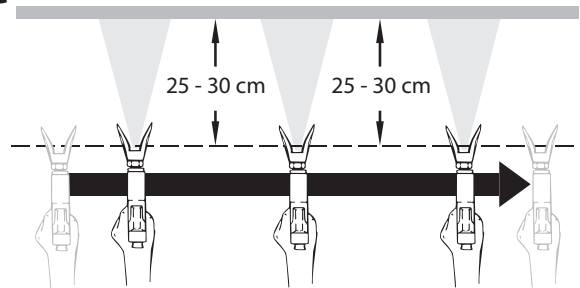


- B) Halten Sie die Spritzpistole parallel zur Oberfläche. Dies bedeutet, Sie müssen Ihren ganzen Arm, anstatt nur das Handgelenk, hin- und herbewegen.  
Halten Sie die Spritzpistole senkrecht zur Oberfläche; sonst wird ein Teil der Auftragsfläche dicker als bei anderen Teilen angestrichen.



- C) Spritzpistolenabzug nach Anfang der Armbewegung drücken. Abzug vor Beenden der Bewegung loslassen. Die Spritzpistole soll sich beim Ziehen und Loslassen des Abzugs in Bewegung befinden. Überdecken Sie jeden Anstrich bei etwa 30%. Dies trägt zum gleichmäßigen Auftragen des Anstrichmaterials bei.

C



Beim Auftreten sehr scharfer Randzonen und Streifen im Spritzstrahl – Betriebsdruck erhöhen oder Beschichtungstoff verdünnen.

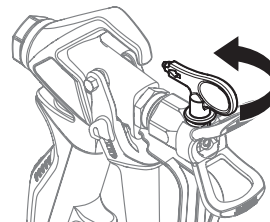
### 5.1 EINE VERSTOPFTE DÜSE REINIGEN



Ist die Applikation verzerrt bzw. tritt gar kein Material mehr aus, wenn der Abzug betätigt wird, ist wie folgt vorzugehen.

1. Entlastungsventil öffnen, Ventilstellung PRIME (↻ Zirkulation).
2. Wenn die Düse verstopft ist, rotieren Sie den Düsenhalter um 180° bis der Pfeil auf dem Halter in die gegengesetzte Richtung zur Spritzrichtung zeigt und der Halter in die umgekehrte Position einklinkt (Abb. 12).
3. Entlastungsventil schließen, Ventilstellung SPRAY (↗ Spritzen).

12





4. Lösen Sie die Spritzpistole einmal aus, so dass der Luftdruck die Verstopfung ausblasen kann. Lösen Sie die Spritzpistole in der umgekehrten Position NIEMALS mehr als EINMAL kurz aus. Diese Prozedur kann so oft wiederholt werden, bis die Düse nicht mehr verstopft ist.





Der Ausfluss aus der Spritzdüse geschieht unter hohem Druck. Kontakt zu einem Körperteil kann gefährlich sein. Keinen Finger an die Düse legen. Die Spritzpistole nie auf eine Person richten. Die Spritzpistole nie ohne die richtige Düsen-Schutzabdeckung bedienen.



## 5.2 ARBEITSUNTERBRECHUNG

|   |  |
|---|--|
|  | Befolgen Sie die folgenden Schritte, wenn Sie die Arbeiten für bis zu 20 Stunden unterbrechen. Diese Vorgehensweise gilt nur, wenn Sie Sprays auf Basis von Latex oder Wasser verwenden.   |
|  | Wenn Sie nur den Materialbehälter austauschen, drehen Sie den Druckregler komplett gegen den Uhrzeigersinn auf die Mindesteinstellung, bevor Sie den Materialbehälter auswechseln.<br>Drehen Sie den Druckregler im Uhrzeigersinn auf die vorherige Position, wenn Sie mit dem Sprühen fortfahren möchten. |

1. Die in dieser Bedienanleitung im Abschnitt Betrieb beschriebenen Schritte zur „Druckentlastung“ ausführen (Abschnitt 4.6).
2. Legen Sie die Spritzpistole in eine Plastiktüte oder in einen mit Wasser gefüllten Eimer.
3. Je nach Ausführung Ansaugschlauch und Rücklaufschlauch im Beschichtungsstoff eingetaucht lassen oder in ein entsprechendes Reinigungsmittel einschwenken oder eintauchen.
4. Decken Sie das Beschichtungsmaterial mit Kunststoff ab und stellen das Gerät an einen kühlen, dunklen Ort, damit das Material nicht austrocknet.

|   |  |
|---|--|
| <br><b>Achtung</b> | Beim Einsatz von schnelltrocknenden – oder Zweikomponenten-Beschichtungsstoff, Gerät unbedingt innerhalb der Verarbeitungszeit mit geeignetem Reinigungsmittel durchspülen |
|                    | Entfernen Sie die Kunststoffabdeckung vom Materialbehälter, wenn Sie wieder Spritzarbeiten durchführen möchten, und befolgen Sie die Schritte in Abschnitt 4.4.            |

## 5.3 HANDHABUNG DES HOCHDRUCKSCHLAUCHES




|   |   |
|---|---|
|  | Dieses Gerät ist mit einem Hochdruckschlauch ausgestattet, der sich speziell für Airless-Pumpen eignet.   |
|  | Verletzungsgefahr durch undichten Hochdruckschlauch. Beschädigten Hochdruckschlauch sofort ersetzen.<br>Niemals defekten Hochdruckschlauch selbst reparieren! |

Der Hochdruckschlauch ist sorgsam zu behandeln. Scharfes Biegen oder Knicken vermeiden, kleinster Biegeradius etwa 20 cm.

Hochdruckschlauch nicht überfahren, sowie vor scharfen Gegenständen und Kanten schützen.



Niemals am Hochdruckschlauch ziehen, um das Gerät zu bewegen.

Darauf achten, dass der Hochdruckschlauch sich nicht verdreht. Durch Verwendung einer Wagner Spritzpistole mit Drehgelenk und einer Schlauchtrommel kann dies verhindert werden.

|   |   |
|---|---|
|  | Für die Handhabung des Hochdruckschlaches bei der Arbeit am Gerüst hat sich als am Vorteilhaftesten erwiesen, den Schlauch stets an der Außenseite des Gerüsts zu führen. |
|  | Bei alten Hochdruckschläuchen steigt das Risiko von Beschädigungen. Wagner empfiehlt den Hochdruckschlauch nach 6 Jahren auszutauschen.                                   |
|  | Aus Gründen der Funktion, Sicherheit und Lebensdauer nur Wagner Original-Hochdruckschläuche verwenden.  |



## 6 REINIGUNG


|   |  |
|---|--|
| <br><b>Achtung</b> | Das Spritzgerät, der Schlauch und die Spritzpistole müssen jeden Tag gründlich gereinigt werden, Geschieht dies nicht, kann sich die Farbe absetzen und die Leistung des Gerätes erheblich beeinträchtigen.  |
|                    | Immer mit möglichst niedrigem Druck sprühen, wenn der Düsenschutz der Spritzpistole abgebaut ist und das Spritzgerät, der Schlauch oder die Spritzpistole mit Spiritus oder anderen Lösungsmittel gereinigt werden. Elektrostatische Aufladungen können zu Bränden oder Explosionen führen, wenn entzündliche Dämpfe vorhanden sind. |

### 6.1 BESONDERE REINIGUNGSHINWEISE BEI VERWENDUNG ENTFLAMMBARER LÖSUNGSMITTEL

- Die Spritzpistole stets im Freien und möglichst eine Schlauchlänge von der Sprühpumpe entfernt spülen.
- Werden die zur Spülung verwendeten Lösungsmittel in einem Metallbehälter von etwa 4 l Fassungsvermögen aufgefangen, diesen in einen Behälter mit einem Fassungsvermögen von etwa 20 l stellen und erst dann weiter spülen.
- Im Arbeitsbereich dürfen sich keine entzündlichen Dämpfe sammeln.
- Alle Reinigungshinweise beachten.


### 6.2 REINIGUNG DES SPRITZGERÄTS

1. Die in dieser Bedienanleitung im Abschnitt Betrieb beschriebenen Schritte zur „Druckentlastung“ ausführen (Abschnitt 4.6).
2. Düse und Düsenschutz abbauen und mit einem Pinsel und einem geeigneten Lösungsmittel reinigen.
3. Das den Syphonschlauch in einen Behälter mit dem geeigneten Lösungsmittel hängen.


|   |  |
|---|--|
| <br><b>Achtung</b> | Bei der Reinigung nur kompatible Lösungsmittel verwenden. Lassen Sie sich vom Hersteller ein geeignetes Lösungsmittel empfehlen. |
|---|--|

4. Den Ablassschlauch in einen Metallabfallbehälter hängen.
5. Den Druck auf Minimum einstellen. Dazu den Druckreglerknopf ganz nach links drehen.
6. Das Ablassventil ganz nach links drehen, um es zu öffnen.
7. Benzinmotor starten oder Elektromotor starten.
8. Das Lösungsmittel durch das Spritzgerät zirkulieren lassen und die Farbe über den Ablassschlauch in einen Metallabfallbehälter entleeren und spülen.


9. Das Spritzgerät abschalten.
10. Das Ablassventil ganz nach rechts drehen.
11. Benzinmotor starten oder Elektromotor starten.

|   |  |
|---|--|
|  | Die Spritzpistole gegen die Kante eines Metallbehälters drücken, um sie während der Spülung zu erden. Anderenfalls können sich elektrostatische Aufladungen bilden, die Brände verursachen können. |
|---|--|



12. Die ausgelöste Spritzpistole in den Metallabfallbehälter halten und betätigen, bis die Farbe aus dem Schlauch gespült ist und nur noch Lösungsmittel aus der Spritzpistole austritt.
13. Die ausgelöste Spritzpistole weiter in den Abfallbehälter halten, bis nur noch sauberes Lösungsmittel aus der Spritzpistole austritt.

|  |  |
|--|--|
|  | Zur längeren Lagerung oder zur Lagerung bei kalter Witterung das gesamte System mit Spiritus füllen. |
|--|--|

14. Vor dem Wechsel von Lösungsmittel auf Farbe die in dieser Bedienanleitung beschriebenen Schritte zur „Vorgehensweise bei Druckentlastung“ ausführen.
15. Das Sprühgerät an einem trockenen, sauberen Ort aufbewahren.

|   |   |
|---|---|
| <br><b>Achtung</b> | Das Spritzgerät nicht unter Druck lagern. |
|---|---|

### 6.3 GERÄTEREINIGUNG VON AUSSEN

|   |   |
|---|---|
|                    | Elektromodelle - sicherstellen, dass das Netzkabel ausgezogen ist, um Stromschläge zu vermeiden.  |
| <br><b>Achtung</b> | Kurzschlussgefahr durch eindringendes Wasser! Gerät niemals mit Hochdruck- oder Dampf Hochdruckreiniger abspritzen. Hochdruckschlauch nicht in Lösemittel einlegen. Außenseite nur mit einem getränkten Tuch abwischen. |

Gerät außen mit einem in geeignetem Reinigungsmittel getränkten Tuch abwischen.



### 6.4 DEN STEINFÄNGER REINIGEN ANSAUGFILTER

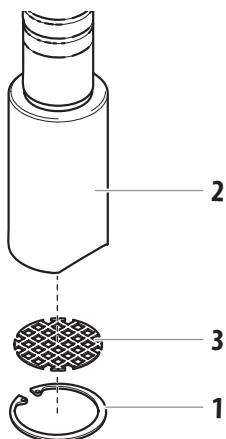


Ein sauberer Ansaugfilter gewährleistet stets maximale Fördermenge, konstanten Spritzdruck und einwandfreies Funktionieren des Gerätes.

#### TAUCHBARES ANSAUGSYSTEM

1. Der Steinfänger wird verstopft und muss mindestens einmal täglich gereinigt werden.
2. Entfernen Sie den Haltering (Abb. 13, Pos. 1) vom Fußventilgehäuse (2).
3. Entfernen Sie das Eintrittsgitter (3) vom Fußventilgehäuse (2).
4. Mit geeignetem Lösungsmittel gründlich reinigen.

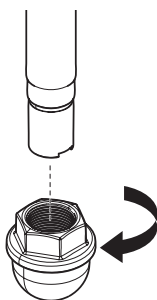
13



#### STANDARD-ANSAUGSYSTEM

1. Filter (Abb. 14) vom Ansaugrohr abschrauben.
2. Filter reinigen oder austauschen.  
Reinigung mit einem harten Pinsel und entsprechendem Reinigungsmittel durchführen.

14



### 6.5 REINIGUNG DER AIRLESS-SPRITZPISTOLE



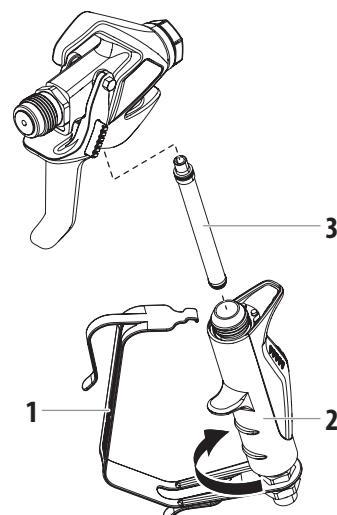
Reinigen Sie die Spritzpistole nach jeder Benutzung.

1. Airless-Spritzpistole bei niedrigem Betriebsdruck mit geeignetem Reinigungsmittel durchspülen.
2. Düse gründlich mit geeignetem Reinigungsmittel reinigen, so dass keine Beschichtungsstoffreste zurückbleiben.
3. Airless-Spritzpistole außen gründlich reinigen.

#### EINSTECKFILTER IN DER AIRLESS-SPRITZPISTOLE (ABB. 15)

1. Lösen Sie die obere Seite des Abzugsschutzes (1) vom Pistolenkopf.
2. Verwenden Sie die Unterseite des Abzugsschutzes als Schraubenschlüssel, lösen Sie mit diesem den Handgriff (2) und entfernen diesen vom Pistolenkopf.
3. Den alten Filter (3) aus dem Spritzpistolenkopf ziehen. Reinigen oder tauschen Sie diesen aus.
4. Den neuen Filter mit dem konischen Ende zuerst in den Spritzpistolenkopf einschieben.
5. Den Griff so weit in den Spritzpistolenkopf einschieben, bis er fest sitzt. Ziehen Sie diesen mit dem Abzugsschraubenschlüssel fest.
6. Lassen Sie den Abzugsschutz wieder in den Pistolenkopf einrasten.

15



## 7 UNTERHALT



Bevor Sie fortfahren, befolgen Sie die Richtlinien zum Druckentlastungsablauf, wie vorherig in diesem Handbuch beschrieben. Dazu befolgen Sie alle anderen Warnungen, um das Risiko einer Injektionsverletzung, Verletzungen verursacht durch bewegende Teile oder Elektroschock zu vermeiden. Vor der Wartung, das Spritzgerät abstellen!

### 7.1 TÄGLICHE WARTUNG

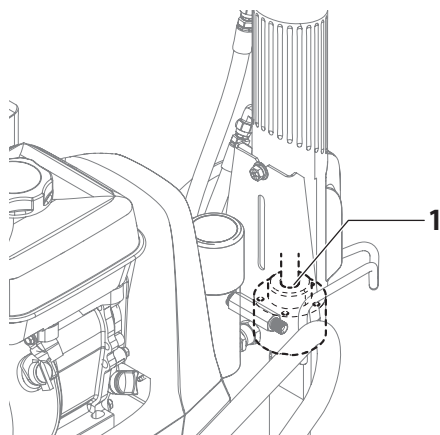
Für dieses Spritzgerät sind täglich zwei routinemässige Abläufe zum Unterhalt erforderlich:

- A. Die oberen Dichtungen einfetten (Abschnitt 7.2).
- B. Den Steinfänger reinigen (Abschnitt 6.4).

### 7.2 DIE OBEREN DICHTUNGEN EINFETTEN

- 1. Die Farbe, welche über die Dichtungen herausgedrungen ist und in die Schmierbüchse (Abb. 16, Pos. 1) über dem Flüssigkeitsbereich gesickert ist reinigen.
- 2. Die Schmierbüchse zur Hälfte mit EasyGlide (P/N 0508619) welches von der Fabrik geliefert wird, auffüllen. Dies verlängert die Lebensdauer der Dichtungen.

16



Die Schmierbüchse nicht überfüllen, so dass kein Öl in die Farbe tropft.

### 7.3 UNTERHALT DES FILTERAUFBAUS



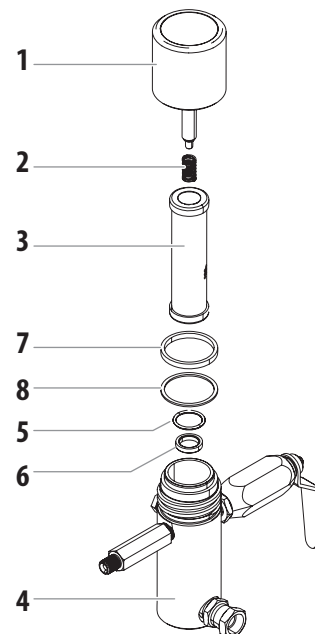
Die Filter regelmässig reinigen. Verschmutzte oder verstopfte Filter können die Filtrierung behindern und eine Reihe von Systemprobleme, wie schwache Spritzmuster, verstopfte Spritzdüsen etc, auslösen.

#### REINIGUNG (ABB. 17)

Zur Reinigung der Filter muss der folgende Ablauf befolgt werden.

- 1. Befolgen Sie die Richtlinien zum "Druckentlastungsablauf", wie im Abschnitt „Betrieb“ dieses Handbuchs beschrieben.
- 2. Den Filterdeckelaufbau (1) und die Feder (2) entfernen.
- 3. Den Filtereinsatz mit Ball (3) gerade aus dem Filtergehäuse (4) herausheben.
- 4. Die Innenseite des Filtergehäuses, den Filtereinsatz mit Ball und den Filterdeckelaufbau mit einem geeigneten Lösungsmittel reinigen.

17



Die Teile mit Sorgfalt behandeln, da die O-Ringe durch Schmutz, Ablagerungen, Kratzer und Kerben nicht richtig dichten könnten.

Dieser Filtereinsatz filtert von innen nach aussen. Deshalb muss der Filtereinsatz innen gründlich gereinigt werden. Den Filtereinsatz im Lösungsmittel einweichen um gehärtete Farbe zu lösen oder ersetzen.

**INSPEKTION (ABB. 17)**

Alle Teile des Filteraufbaus vor dem Wiedereinbau überprüfen.

1. Den Ball innerhalb des Filtereinsatzes überprüfen. Wenn der Ball Druckschnitte oder -kratzer aufweist muss der Filtereinsatz ersetzt werden.
  - a. Wenn der Ball Schnitte aufweist, den PTFE O-Ring (5) mit Hilfe eines O-Ring Hakens entfernen und den Karbidsitz (6) entfernen.
  - b. Den Sitz auf Kerben und Rillen überprüfen. Falls der Sitz beschädigt ist, muss sie ersetzt werden.

|          |  |
|----------|--|
| <b>i</b> | Das Entfernen des PTFE O-Rings wird den O-Ring beschädigen und macht den Ersatz dessen erforderlich. |
|----------|--|

2. Die Feder aus der Federführung (2) am Filterdeckel entfernen.
  - a. Die Länge der entspannten Feder messen. Misst die Feder weniger als 1.9 cm (3/4") von einem Ende zum anderen, muss sie ersetzt werden.
  - b. Die Feder in die Federführung zurückdrücken bis sie in die richtige Position einrastet.
3. Die zwei PTFE-dichtungen auf Deformierung, Kerben oder Schnitte überprüfen. Falls nötig ersetzen.

|          |  |
|----------|--|
| <b>i</b> | Die PTFE-dichtungen, der PTFE O-Ring und die Feder sind im Filter Service Satz P/N 930-050 verpackt. |
|----------|--|

**WIEDEREINBAU (ABB. 17)**


Nach der Reinigung und Ueberprüfung aller Teile den Filter wieder einbauen.

1. Den Karbidsitz (6) in das Filtergehäuse (4) einsetzen. Vergewissern Sie sich, dass die schräge Seite des Sitzes nach oben zeigt.
2. Den PTFE O-Ring (5) in die Rille am äusseren Durchmesser der Karbidsitz (6) anbringen.
3. Den Filtereinsatz mit Ball (3) in das Filtergehäuse (4) setzen.

|          |   |
|----------|---|
| <b>i</b> | Die untere und obere Seite des Filtereinsatzes mit Ball sind identisch. |
|----------|---|

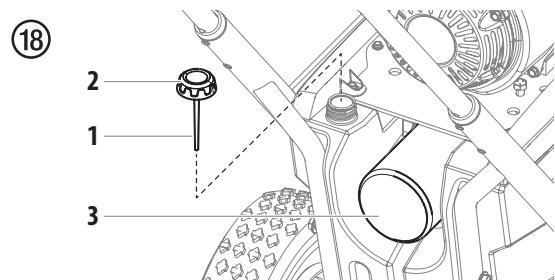
4. Falls noch nicht getan, die Feder (2) in die Federführung im Filterdeckelaufbau (1) zurückdrücken, bis sie in der richtigen Position einrastet.
5. Die dünne PTFE-dichtung (8) auf den Absatz am oberen Ende des Filtergehäuses (4) legen.
6. Die dicke PTFE-dichtung (7) auf die dünne PTFE-dichtung (8) legen.
7. Den Filterdeckelaufbau (1) am Filtergehäuse (4) anziehen.

**7.4 UNTERHALT DES HYDRAULISCHEN SYSTEMS**

|   |   |
|---|---|
| <br><b>Achtung</b> | Die Benutzung von Wagner anerkannter Hydraulikflüssigkeit (P/N 0555425) für das hydraulische System ist obligatorisch. Benutzen Sie keine andere Hydraulikflüssigkeit. Benutzung einer anderen Hydraulikflüssigkeit kann das hydraulische System schwer beschädigen und führt zum Verlust der Garantie. |
|---|---|

1. Die Hydraulikflüssigkeit täglich überprüfen. Der Hydraulikflüssigkeitspegel sollte den Messstab unten berühren. Wenn dieser trocken ist, fügen Sie nur die Hydraulikflüssigkeit Wagner (P/N 0555425) hinzu. Die Hydraulikflüssigkeit immer in einer sauberen, staubfreien Umgebung auffüllen oder ersetzen. Die Kontaminierung der Hydraulikflüssigkeit wird die Lebensdauer der hydraulischen Pumpe verkürzen und kann zum Verlust der Garantie führen.

|          |  |
|----------|--|
| <b>i</b> | Stellen Sie bei der Überprüfung des Pegels der Hydraulikflüssigkeit sicher, dass das Gerät auf einer flachen, ebenen Fläche steht. |
|----------|--|



2. Die Hydraulikflüssigkeit einmal alle 12 Monate wechseln. Die alte Flüssigkeit aus dem Tank auslaufen lassen und mit 6,25 Quart Hydraulikflüssigkeit auffüllen. Das Spritzgerät mit genügend Druck um die Flüssigkeitssektion zu bedienen, starten. Das Spritzgerät unter diesem tiefen Druck für mindestens 5 Minuten laufen lassen. Dies beseitigt die Luft im System. Den Flüssigkeitsstand nach diesem Ablauf überprüfen. Nicht überfüllen.

|          |   |
|----------|---|
| <b>i</b> | Wenn der Hydraulikfilter (3) während dem Flüssigkeitswechsel ersetzt wird, kann es sein, dass bis zu einer Quart zusätzlicher Hydraulikflüssigkeit hinzugefügt werden muss. |
|----------|---|

3. Das hydraulische System hat einen externen, ersetzbaren Hydraulikfilter (3). Den Filter einmal alle 12 Monate wechseln.
4. Die Hydraulikpumpe soll nicht im Aussendienst gewartet werden. Wenn die Hydraulikpumpe Wartung erfordert, muss sie an ein von Wagner zugelassenes Service-Center eingesandt werden.

## 7.5 UNTERHALT DES FLÜSSIGKEITSBEREICHS

Wenn das Spritzgerät für eine längere Zeit nicht in Gebrauch ist, wird empfohlen, dass nach der Reinigung eine Mischung aus Kerosin und Öl als Konservierungsmittel eingesetzt wird. Dichtungen können infolge Nichtgebrauch austrocknen. Dies trifft im Speziellen auf die oberen Dichtungen, für die im Normalgebrauch die Wartung mit EasyGlide (P/N 0508619) empfohlen ist.

Wenn das Spritzgerät für eine längere Zeit nicht in Gebrauch ist, kann es nötig werden, die Pumpe mit einem Lösungsmittel zu grundieren. Es ist enorm wichtig, dass die Gewinde der Siphonschlauchkoppelung richtig abgedichtet sind. Jegliches Luftleck wird ungleichmäßige Bedienung des Spritzgerätes zur Folge haben und kann das System beschädigen. Die Aufwärts- und Abwärtsstriche sollten ungefähr gleich lang dauern (einer soll nicht schneller sein als der andere). Ein schneller Aufwärts- oder Abwärtsstrich kann darauf hinweisen, dass sich Luft im System befindet oder dass Ventile oder Sitze nicht richtig funktionieren (siehe „Fehlerbehebung“)

## 7.6 HOCHDRUCKSCHLAUCH

Hochdruckschlauch optisch auf eventuell vorhandene Einschnitte oder Ausbeulungen, insbesondere am Übergang in die Armatur, prüfen. Überwurfmuttern müssen sich frei drehen lassen. Die Leitfähigkeit von kleiner 1 Mega Ohm muss über der gesamten Länge vorhanden sein.



**Achtung**

Alle elektrischen Prüfungen vom Wagner-Service durchführen lassen.



Bei alten Hochdruckschläuchen steigt das Risiko von Beschädigungen.

Wagner empfiehlt den Hochdruckschlauch nach 6 Jahren auszutauschen.

## 7.7 EINFACHER UNTERHALT DES MOTORS (BENZINMOTOR)

- Für detaillierter Unterhalt und technische Spezifikationen verweisen wir Sie auf das separate Handbuch für Benzinmotoren.
- Alle Wartungen am Motor sollen von einem vom Motorenhersteller bevollmächtigten Händler durchgeführt werden.

### TÄGLICH

1. Motorenölstand überprüfen und wenn nötig auffüllen.
2. Benzinstand überprüfen und wenn nötig auffüllen.



Zum Auftanken immer die Arbeitsschritte, die vorab in diesem Handbuch erklärt wurden ausführen.

### ERSTE 20 STUNDEN

- Motorenöl wechseln.

### ALLE 100 STUNDEN

- Motorenöl wechseln.
- Sedimentbecher reinigen.
- Zündkerze reinigen und den Abstand wiederherstellen.
- Funkenableiter reinigen.



### WÖCHENTLICH

- Die Luftfilterabdeckung entfernen und das Element reinigen. In sehr staubiger Umgebung muss der Filter täglich überprüft werden. Das Element wenn nötig ersetzen. Ersatzelemente können beim örtlichen Händler für diesen Motorenhersteller erworben werden.

### BEDIENUNG UND WARTUNG DES MOTORS

- Luftfiltermatte des Benzinmotors alle 25 Stunden oder einmal wöchentlich reinigen und ölen. Das Luftansaugsieb um das Schwungrad im Benzinmotor soll nicht mit Farbe oder Abfall aufgefüllt werden. Reinigen Sie es regelmässig. Die Lebensdauer und Arbeitsleistung des Benzinmotorenmodells beruht auf dem richtigen Betrieb des Benzinmotors. Das Öl alle 100 Stunden wechseln. Nichteinhaltung dessen kann zu Ueberhitzung des Motors führen. Beachten Sie das mitgelieferte Bedienungshandbuch des Herstellers.
- Um Benzin zu sparen, Lebensdauer zu verlängern und die Leistung des Spritzgerätes zu bewahren soll der Benzinmotor immer auf der tiefstmöglichen Drehzahl laufen, auf der er gleichmässig und ohne Anstrengung läuft und die gewünschte Menge Farbe ausstösst, die für die jeweilige Malarbeit erforderlich ist. Höhere Drehzahlen erzeugen nicht höheren Arbeitsdruck. Der Benzinmotor ist mit der Hydraulikpumpe durch eine Seilrollenkombination verbunden, die dazu bestimmt ist, den vollen Farbausstoss bei maximaler Drehzahl zu liefern.
- Die Garantie für die Benzinmotoren ist auf den Originalhersteller beschränkt.

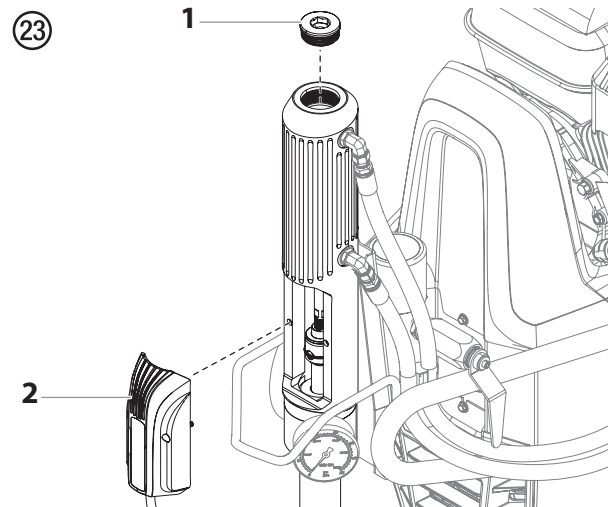
### 7.8 WARTUNG DES HYDRAULIKMOTORS

|   |  |
|---|--|
|  <p><b>Achtung</b></p> | <p>Die Wartung des Hydraulikmotors sollte nur in einem sauberen, staubfreien Bereich durchgeführt werden. Jegliche Staub- oder Metallteile, die im Motor gelassen werden oder beim Wiedereinbau in den Motor greaten können kritische Teile beschädigen und die Lebensdauer und Garantie beeinträchtigen. Alle Teile sollten auf absolute Sauberkeit überprüfen.</p> |
|                        | <p>Um den Hydraulikmotor zu warten, sollte der Kolben in der Mitte seines Hubs festgestellt werden. Folgen Sie den unten angegebenen Schritten.</p>  |


1. Drehen Sie den Druckregler vollständig gegen den Uhrzeigersinn auf die niedrigste Stufe.
2. Lassen Sie den Motor an oder schalten Sie den Elektromotor mit in einem Eimer Wasser eingetauchtem Flüssigkeitsabschnitt ein.
3. Drehen Sie den Druckregler 1-2 Umdrehungen im Uhrzeigersinn.
4. Nachdem die Pumpe entlüftet ist, drehen Sie das Entlüftungsventil auf SPRAY.
5. Beobachten Sie den Kolbenhub durch das Fenster auf der Rückseite des Motors/der Pumpe und sprühen Sie Wasser mit der kleinste Düse (für die langsamste Kolbengeschwindigkeit) zurück in den Eimer (oder einen sonstigen Abfallbehälter). Sobald der Kolben sich an der gewünschten Stelle befindet, hören Sie auf zu sprühen.
6. Schalten Sie den Motor oder Elektromotor aus.
7. Fahren Sie mit den folgenden Schritten fort.

#### ZERLEGEN DES HYDRAULIKMOTORS

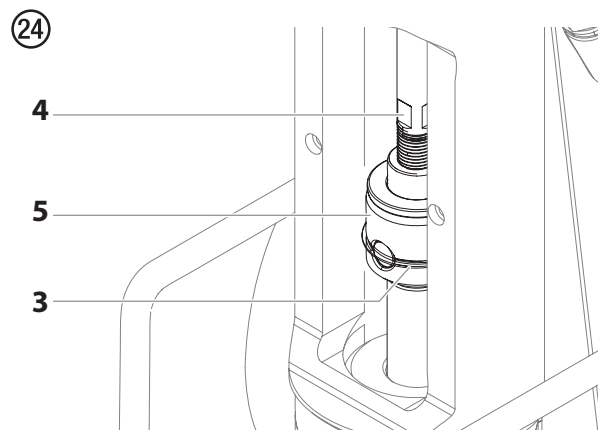
1. Lösen Sie die unverlierbaren Schrauben, die die Leiterplattenbestückung (Abb.23, Pos. 1) am hydraulischen Motorzylinder befestigen, mithilfe eines Inbusschlüssels. Sobald diese gelöst sind, kann die Platte an ihrem Kabel hängen.
2. Entfernen Sie den Zylinderkopfstecker (2) vom hydraulischen Motorzylinder.



3. Nehmen Sie die überschüssige Hydraulikflüssigkeit mit einer Spritze oder einem Schwamm aus dem Hohlraum auf, der durch Entfernen des Zylinderkopfsteckers entstanden ist.
4. Orten Sie die Schlüsselflächen am Boden des Hydraulikkolbens, die sich in dem durch Entfernen der Leiterplattenbestückung entstandenen Zugangsbereich befinden (Abb.24, Pos.3). Halten Sie einen Schraubenschlüssel an die hydraulischen Kolbenschlüsselflächen.
5. Schieben Sie den Sicherungsring (4) am Kolbenkoppler (5) hoch, um die Kopplerlöcher freizulegen.
6. Führen Sie vorsichtig einen Schraubendreher in eine der offenen Löcher des Kolbenkopplers (5) ein, um es zu sichern.

|   |  |
|---|--|
|  | <p>Eventuell muss der gesamte Hydraulikkolben (4) und der Koppler (5) leicht mit dem Schraubenschlüssel gedreht werden, um Zugang zu einem der offenen Löcher zu erhalten.</p> |
|---|--|

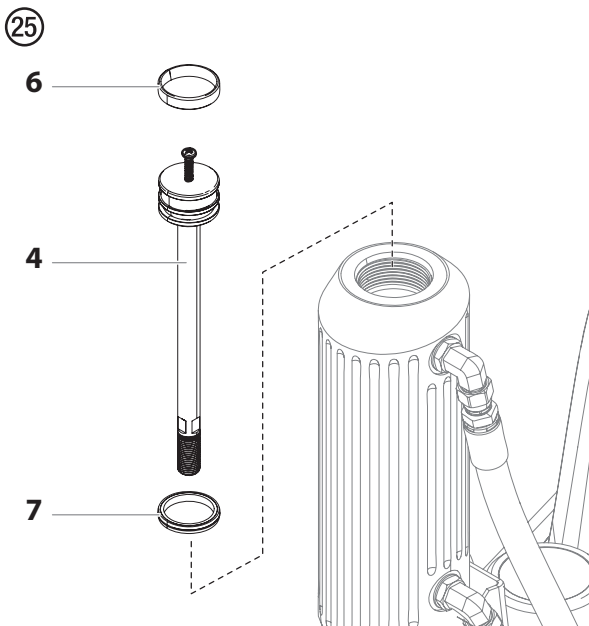
7. Lösen Sie den Hydraulikkolben (4) mithilfe des Schraubenschlüssels auf den Schlüsselflächen des Hydraulikkolbens (4) vom Koppler (5).



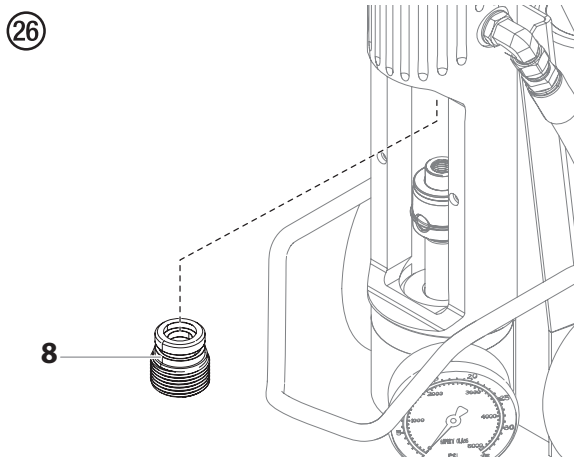


8. Drehen Sie eine 1/4" - 20 Schraube leicht in den oberen Teil des Hydraulikkolbens (Abb. 25, Pos.4). Ziehen Sie den Kolben mithilfe der Schraube vom oberen Teil des hydraulischen Motorzylinders ab.
9. Entfernen Sie die Dichtung (6) und den Schleifring (7) vorsichtig aus dem Kolben. Tauschen Sie diese mit neuen Teilen aus dem Bausatz aus.

**i** Die neue Dichtung und der Schleifring müssen vor dem Einbau mit Hydrauliköl eingerieben werden.



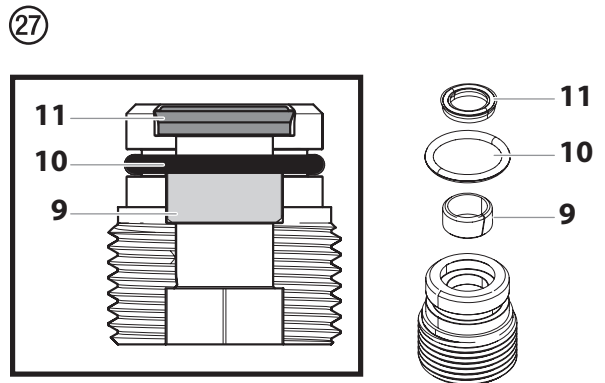
10. Lösen Sie den Steckerbausatz mithilfe eines L-förmigen Inbusschlüssels (Abb. 26, Pos. 8) von der Innenseite des hydraulischen Motorzylinders.



11. Entfernen Sie den Schleifring (Abb. 27, Pos. 9), den O-Ring (10) und die Profildichtung mit O-Ring (11) vorsichtig vom Stecker.

**Achtung** Entfernen Sie diese Teile sehr sorgfältig. Achten Sie darauf, die Metallfläche auf dem Steckerbausatz nicht zu verkratzen.

12. Legen Sie die neuen Teile des Bausatzes in Hydrauliköl und bringen Sie sie dann an der Steckverbindung an.



**ZUSAMMENBAU DES HYDRAULIKMOTORS**

1. Bringen Sie den Steckerbausatz (8) im Inneren des hydraulischen Motorzylinders an. Mit dem L-förmigen Inbusschlüssel festziehen.

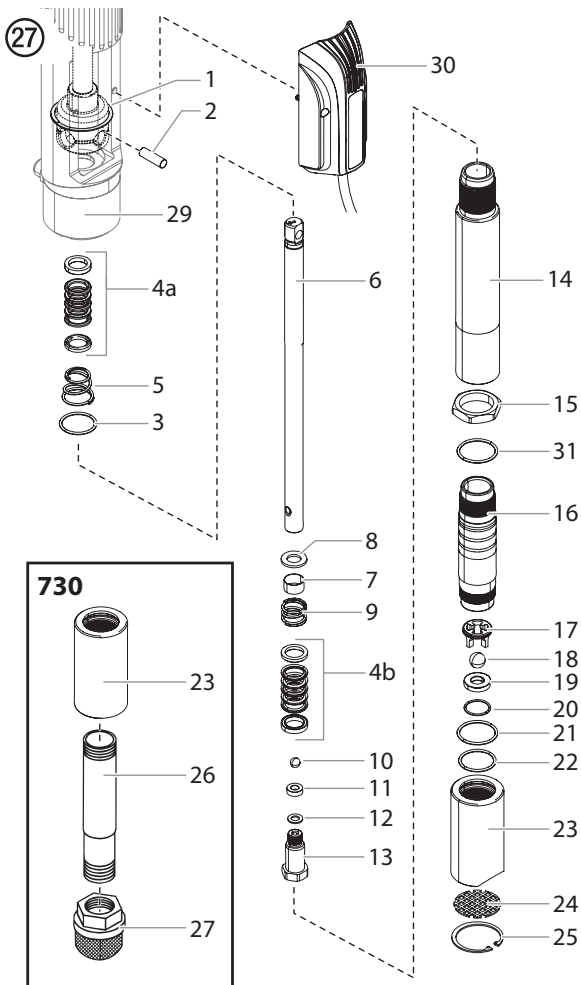
**i** Überprüfen Sie die Unterseite des Hydraulikkolbens auf scharfe Bereiche, die die Kolbendichtung (11) beim erneuten Einbau beschädigen könnten.

2. Bringen Sie den Hydraulikkolben (4) wieder oben auf dem hydraulischen Motorzylinder an. Schlagen Sie den Kolben vorsichtig mit einem Gummihammer auf den Zylinder, bis die Schlüsselflächen im Zugangsbereich über dem Kolbenkoppler (5) sichtbar sind.
3. Entfernen Sie die 1/4" - 20 Schraube von der Oberseite des Kolbenbausatzes.
4. Befestigen Sie die beiden Teile mithilfe eines Schraubendrehers im offenen Loch des Kolbenkopplers (5) und einem Schraubenschlüssel auf den Schlüsselflächen des Hydraulikkolbens (4) erneut.
5. Schieben Sie den Sicherungsring wieder auf den Koppler.
6. Bringen Sie den Zylinderkopfstecker (2) an.
7. Bringen Sie die Leiterplattenbestückung (1) an.

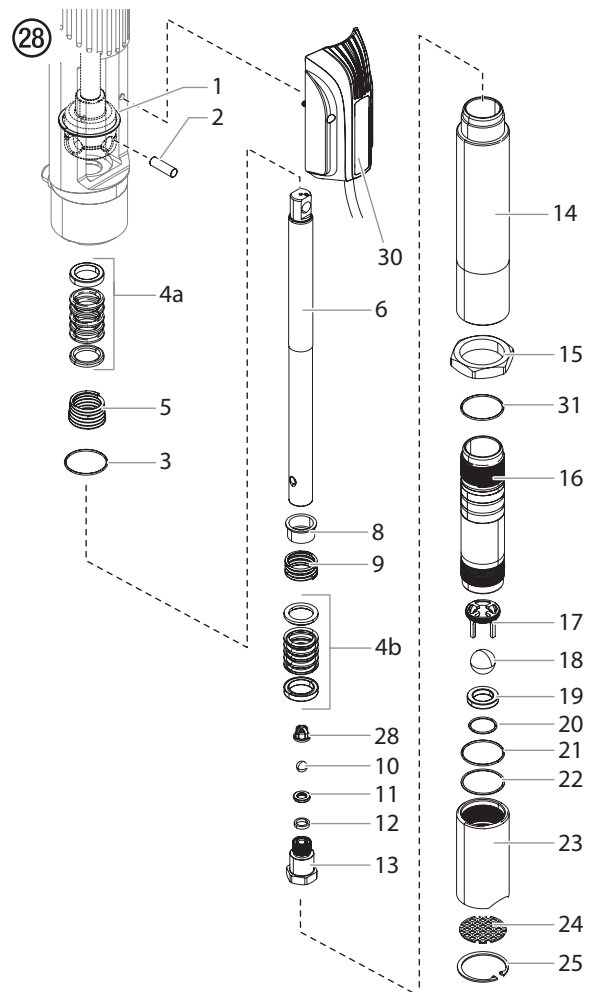
**i** Nach Abschluss der Reparatur starten Sie den Motor oder schalten den Elektromotor ein. Lassen Sie das Gerät einige Minuten laufen und schalten Sie es dann aus. Prüfen Sie sofort den Hydraulikölpegel und füllen Sie nach Bedarf nach.

## 7.9 UNTERHALT DES FLÜSSIGKEITSBEREICHES

### HEAVYCOAT 730



### HEAVYCOAT 750 / HEAVYCOAT 770



**Achtung**

Die Benutzung von anderen Ersatzteilen als Wagner kann die Garantie annullieren. Für die beste Wartung, benutzen Sie Originalteile von Wagner. Diese Pumpe sollte nach ungefähr 1,000 Stunden Laufzeit mit einer Routinewartung gewartet werden. Bei übermäßigem Leck oder wenn die Pumpbewegungen in die eine oder andere Richtung schneller werden, ist eine frühere Wartung nötig. Zur Schmierung der oberen Dichtungen ist die Verwendung von Wagner EasyGlide (p/n 0508619) empfohlen. Benutzen Sie kein Öl, Wasser oder Lösungsmittel als Schmiermittel für die oberen Dichtungen.

### DEMONTAGE DES FLÜSSIGKEITSBEREICHES

1. Lösen Sie die unverlierbaren Schrauben, die die Leiterplattenbestückung am hydraulischen Motorzylinder befestigen, mithilfe eines Inbusschlüssels. Sobald diese gelöst sind, kann die Platte an ihrem Kabel hängen.
2. Den Haltering (1) mit einem kleinen Schraubenzieher heraufschieben und dann den Verbindungsstift (2) herausdrücken.

3. **HeavyCoat 730** - Entfernen des Siphonrohrs (26).
4. Drehen Sie die Mutter zum Entfernen des Flüssigkeitsabschnitts (15) gegen den Uhrzeigersinn, so dass es sie an den Gewinden auf dem Zylinder ausläuft (16).
5. Legen Sie einen Schraubenschlüssel auf die Schlüsselstellen der Mutter zum Entfernen des Flüssigkeitsabschnitts (15). Drehen Sie den Schlüssel gegen den Uhrzeigersinn, um den Hydraulikmotor zu entfernen.
6. Ziehen Sie den Flüssigkeitsabschnitt vorsichtig nach unten, um ihn vom Hydraulikmotor zu entfernen.
7. Um den Flüssigkeitsabschnitt zu warten, sollte er durch Sicherung der Schlüsselstellen der Mutter zum Entfernen des Flüssigkeitsabschnitts (15) in einem Schraubstock stabilisiert werden.
8. Schrauben Sie das Fußventilgehäuse (23) mit einem Bandschlüssel los.
9. Den die obere Dichtungsfeder (5) und den oberen Dichtungssatz (4a) vom Motoren-/Pumpenblock entfernen.
10. Legen Sie einen Schraubenschlüssel an die Schlüsselstellen auf der Schubstange (6). Lösen und entfernen Sie das Gehäuse des Ablassventils (13) von der Schubstange (6).

11. Entfernen Sie die Dichtungsscheibe (12), den Ablassventilsitz (11), die Ablassventilkugel (10), den Ablassventilkorb (28, nur HeavyCoat 750 / HeavyCoat9700), die untere Dichtungssatz (4b), die untere Packungsfeder (9) und die Federsicherung (8).
12. Führen Sie das Ende der Verlängerung mithilfe einer 1/2" Verlängerung, die an einem 1/2" Ratschenantrieb befestigt ist, in die quadratische Öffnung des Fußventilkorbs (17) innerhalb des Fußventilgehäuses (23) ein. Schrauben Sie den Fußventilkorb vom Fußventilgehäuse los und entfernen Sie ihn.
13. Den PTFE O-Ring (22), Fussventilball (18), Fussventilsitz (19) und Sitz-O-Ring (20) vom Fussventilgehäuse (23) entfernen.
14. Den O-Ring (21) vom Pumpenzylinder (16) entfernen.

7. Die Gewinde am Ablassventilgehäuse (13) reinigen und die Gewinde mit Loctite blau Nr. 242 beschichten. Vergewissern Sie sich, dass Loctite nur auf dem Gewinde aufgetragen wird.
8. Die untere Dichtungsfeder (9) auf das Ablassventilgehäuse (13) setzen, gefolgt von der Federhalter (8).
9. Den Verdrängungssteg (6) und das Ablassventilgehäuse (13) zusammenschrauben. In einem Schraubstock bis zu 50 ft./lbs. (68 Nm) anziehen.
10. Den PTFE O-Ring (3) in die obere Furche des Motoren-/Pumpenblocks einsetzen.
11. Den oberen Dichtungssatz (4a) in den Motoren-/Pumpenblock einsetzen, mit der Spitze der "V" Dichtungen nach oben, in Richtung Motor zeigend.

## WIEDEREINBAU DES FLÜSSIGKEITSBEREICHS



An allen Rohrverbindungsgewinden PTFE-band benutzen.

1. Einen neuen Sitz O-Ring (20) in die Kerbe am unteren Teil des Fussventilgehäuses (23) anbringen.
2. Den Fussventilsitz (19) auf Abnutzung untersuchen. Wenn eine Seite abgenutzt ist, den Sitz auf die unbenutzte Seite umdrehen. Wenn beide Seiten abgenutzt sind, einen neuen Sitz einbauen. Den neuen oder umgedrehten Sitz (abgenutzte Seite nach unten) in die Bohrung am Unteren Teil des Fussventilgehäuses (23) einfügen.
3. Einen neuen Fussventilball (18) auf den Fussventilsitz setzen (19). Benutzen Sie eine 1/2" Verlängerungsstange welche an ein 1/2" Antriebszahngesperre angebaut ist, und fügen Sie das Ende der Verlängerungsstange in die quadratische Oeffnung des Fussventilkorbes (17) und schrauben den Fussventilkorb in das Fussventilgehäuse (23). Drehmoment für den Korb bis 240 in./lbs (20 ft./lbs.).
4. Einen neuen PTFE O-Ring (22) in die Furche am unteren Ende des Fussventilgehäuses (23) einsetzen. Den O-Ring mit Oel oder Fett schmieren.
5. Nachdem die Lederdichtungen in Oel (vorzugsweise Leinöl) eingeweicht wurden, den unteren Dichtungssatz (4b) wieder zusammenbauen. Den Satz auf das Ablassventilgehäuse (13) setzen, mit dem Spitz der "V" Dichtungen nach unten in Richtung des Sechskants am Ablassventilgehäuse zeigend.



Alle Ledermanschetten müssen vor der Montage für 15-20 Minuten in Öl eingeweicht werden. Werden die Manschetten zu lange eingeweicht, schwellen diese auf und verursachen Probleme beim Wiederausammenbau.

6. Den Ablassventilsitz (11) auf Abnutzung untersuchen. Wenn eine Seite abgenutzt ist, den Sitz auf die unbenutzte Seite umdrehen. Wenn beide Seiten abgenutzt sind, einen neuen Sitz benutzen. Den Ablassventilkorb (28, nur HeavyCoat 750 / 770), Ablassventilball (10), neuen oder umgedrehten Sitz (abgenutzte Seite vom Ball entfernt) und eine neue Dichtscheibe (12) in die Verdrängungsstange (6) einsetzen.



Die Dichtungen müssen vor der Montage in Oel eingeweicht worden sein.



12. Die obere Dichtungsfeder (5) mit dem kleinen zulaufenden Ende gegen oben in Richtung Motor/Pumpe zeigend in den Motoren-/Pumpenblock einsetzen.
13. Den Verdrängungsstab (6) durch die oberen Dichtungen hinauf in den Motoren-/Pumpenblock einsetzen.
14. Die Löcher im Verdrängungsstab (6) und dem Hydraulikkolbenstab aufeinander abstimmen und den Verbindungsstift (2) einsetzen. Den Haltering (1) über dem Verbindungsstift ersetzen.
15. **HeavyCoat 730** - Schrauben Sie die langen Gewinde des Pumpenzylinders (16) in den Motor-/Pumpenblock und ziehen Sie sie mit einem Bandschlüssel fest.
16. Schrauben Sie die Außengewinde des Zylinderabstandhalters (14) in den Motor-/Pumpenblock und ziehen Sie sie mit einem Bandschlüssel fest. Schrauben Sie die langen Gewinde des Pumpenzylinders (16) in den Zylinderabstandhalter und ziehen Sie sie mit einem Bandschlüssel fest.
17. Den O-Ring (21) in die oberste Furche des Pumpenzylinders (16) einsetzen.
18. Das Fussventilgehäuse (23) auf den Pumpenzylinder (16) aufschrauben, mit einem Riemenschlüssel festziehen.
19. **HeavyCoat 730 gas** - Montieren Sie das Siphonrohr (26).



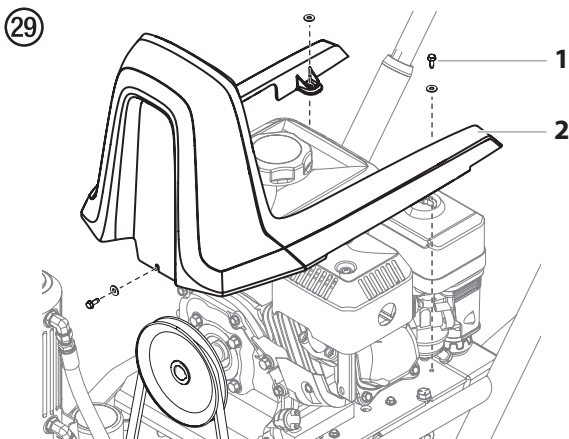
Es ist nicht nötig, das Fussventilgehäuse zu stark anzuziehen. Die O-Ring Dichtungen dichten ohne übermäßiges Anziehen. Anziehen bis an das Ende des Gewindes ist genügend.

**HeavyCoat 730** - Für die Syphonschlauchaufsätze ist es kritisch wichtig, dass die Gewinde des Syphonschlauches raumfest in das Fussventilgehäuse passen und dass die schlauch mit PTFE-band umwickelt und abgedichtet sind, um Luftlecks zu verhindern.

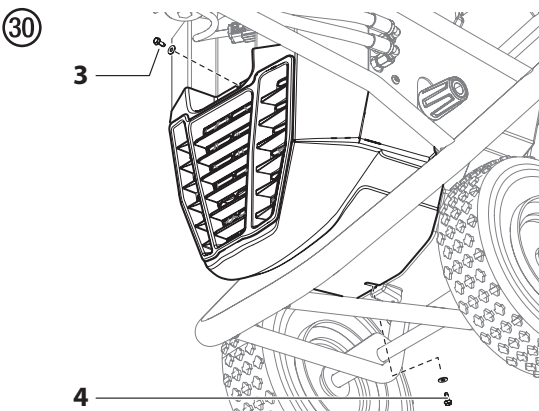
### 7.10 AUSWECHSELN DES RIEMENS

|   |   |
|---|---|
|  | Achten Sie darauf, dass Sie das "Druckentlastungsverfahren", wie in dem Abschnitt "Betrieb" in diesem Handbuch dargelegt ist, durchgeführt haben, bevor Sie den Riemen in Ihrer Maschine wechseln. <b>VERSUCHEN SIE NICHT</b> diese Instandsetzung durchzuführen, während die Maschine läuft. |
|  | Die unteren Abbildungen zeigen eine Maschine mit einem Benzinmotor. Alle Anweisungen in diesem Abschnitt gelten sowohl für Benzin- als auch elektrische Motoren, wenn nicht anders darauf hingewiesen wird.   |

1. Entfernen Sie die drei Schrauben und Unterlegscheiben (1), mit denen die obere Abdeckung (2) am Gestell befestigt ist. Entfernen Sie die Abdeckung.




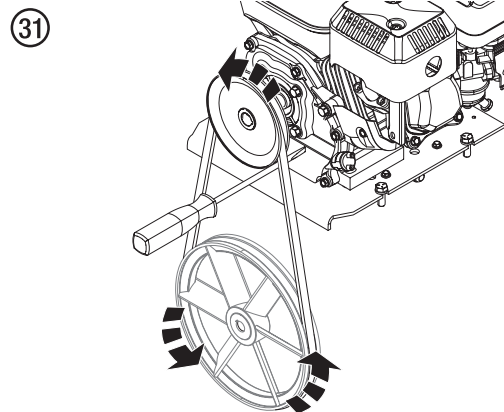
2. Entfernen Sie die vordere Schraube (3) und die untere Schraube (4), mit der die untere Abdeckung am Hauptgerät befestigt ist. Entfernen Sie die gesamte Abdeckung.



3. Führen Sie das drehende Ende eines Schraubendrehers wie dargestellt zwischen den Riemen und die obere Riemenscheibe (Abb. 31).


4. Halten Sie den Schraubendreher und drehen Sie den Riemen und die Riemenscheibe von Hand gegen den Uhrzeigersinn. Folgen Sie mit dem Schraubendreher der Bewegung der Riemenscheibe und schieben Sie den Riemen gleichzeitig nach außen. Drehen Sie die Riemenscheibe um ca. 1/2 Umdrehung, so dass der Riemen mithilfe des Schraubendrehers von der oberen Riemenscheibe abgleitet.

|   |  |
|---|--|
|  | Quetschgefahr. Halten Sie Ihre Hände von der Kontaktfläche zwischen Schraubendreher und Riemenscheibe fern. Lassen Sie Ihre Finger bei der Drehung der Riemenscheibe nicht zwischen diese und den Riemen gelangen.<br><b>VERBRENNUNGSGEFAHR.</b> Lassen Sie den Benzinmotor ausreichend abkühlen, bevor Sie es berühren. |
|---|--|



#### NEUINSTALLATION

1. Schlingen Sie den neuen Riemen über die obere Riemenscheibe, bis er in die Nut der Riemenscheibe einrastet.
2. Lassen Sie den Riemen von der oberen Riemenscheibe hängen. Halten Sie den Riemen mit der Hand in ungefährer 3Uhr-Position auf der Nut der unteren Riemenscheibe fest.
3. Drehen Sie die obere Riemenscheibe von Hand im Uhrzeigersinn. Folgen Sie der Bewegung mit dem von der Hand auf der unteren Riemenscheibe gehaltenen Riemen. Durch die Bewegung der Riemenscheibe und mit der Hand über dem Riemen über der unteren Riemenscheibe kann der Riemen auf der unteren Riemenscheibe einrasten.

|   |  |
|---|--|
| <br><b>Achtung</b> | Stellen Sie sicher, dass der Riemen nicht eingeklemmt oder verdreht ist. |
|---|--|

4. Führen Sie die Schritte 1-2 in umgekehrter Reihenfolge aus, um die Einheit zusammenzubauen.

## 8 FEHLERBEHEBUNG

### 8.1 AIRLESS-SPRITZPISTOLE

#### PROBLEM

- A. Spuckende Spritzpistole

---

- B. Spritzpistole lässt sich nicht absperren

---

- C. Spritzpistole spritzt nicht

#### GRUND

- 1. Luft im System
- 2. Verschmutzte Spritzpistole
- 3. Nadelbaugruppe nicht mehr angepasst
- 4. Sitz ist zerbrochen oder angeschlagen

---

- 1. Abgenutzte oder zerbrochene Nadel & Sitz
- 2. Nadelbaugruppe nicht mehr angepasst
- 3. Verschmutzte Spritzpistole

---

- 1. Keine Farbe
- 2. Verstopfter Filter oder Düse
- 3. Zerbrochene Nadel in der Spritzpistole

#### LÖSUNG

- 1. Verbindungen auf Luftleck überprüfen.
- 2. Zerlegen und reinigen.
- 3. Ueberprüfen und abstimmen.
- 4. Ueberprüfen und ersetzen.

---

- 1. Ersetzen.
- 2. Abstimmen.
- 3. Reinigen.

---

- 1. Flüssigkeitsvorrat überprüfen.
- 2. Reinigen.
- 3. Ersetzen.

### 8.2 FLÜSSIGKEITSBEREICH

#### PROBLEM

- A. Pumpe gibt Farbe nur beim Aufwärtsstrich ab oder geht langsam aufwärts und schnell abwärts (üblicherweise auch downstroke dive genannt)

---

- B. Pumpe gibt Farbe nur beim Abwärtsstrich ab oder geht schnell aufwärts und langsam abwärts

---

- C. Pumpe bewegt sich schnell auf- und abwärts, gibt Farbe ab

---

- D. Pumpe bewegt sich langsam auf- und abwärts wenn die Spritzpistole abgestellt ist

---

- E. Ungenügend Flüssigkeitsdruck in der Spritzpistole

---

- F. Pumpe klappert beim Aufwärts- oder Abwärtsstrich

#### GRUND

- 1. Unterer Fussventilball kann sich nicht setzen, da entweder verschmutzt oder abgenutzt
- 2. Material ist zu dickflüssig um angesaugt zu werden.
- 3. Luft tritt an der Ansaugseite ein oder beschädigter Syphonschlauch. Der Syphon ist vielleicht zu klein für dickeres Material.

---

- 1. Oberer Ball kann sich nicht setzen, da entweder verschmutzt oder abgenutzt
- 2. Untere Dichtungen sind abgenutzt

---

- 1. Materialkübel ist leer oder das Material ist zu dickflüssig um durch den Syphonschlauch zu fließen
- 2. Unterer Ball klebt an der Fussventilsitz
- 3. Syphonschlauch ist geknickt oder lose

---

- 1. Lose Verbindungen. Auslaufventil ist teilweise offen oder Auslaufventil ist abgenutzt. Unterer Dichtungssitz ist abgenutzt.
- 2. Oberer und/oder unterer Ball setzt sich nicht

---

- 1. Spritzpistolendüse ist abgenutzt
- 2. Abflussfilter oder Spritzpistolenfilter ist verstopft
- 3. Tiefe Spannung und/oder unzureichende Stromstärke
- 4. Schlauchdurchmesser ist zu klein oder Schlauchlänge zu lang

---

- 1. Lösungsmittel brachte obere Dichtung zum anschwellen

#### LÖSUNG

- 1. Fussventilbaugruppe entfernen. Reinigen und überprüfen. Fussventil testen indem es mit Wasser gefüllt wird; falls der Ball den Sitz nicht abdichtet, den Ball ersetzen.
- 2. Material verdünnen — Für die richtigen Verdünnungsverfahren den Hersteller kontaktieren.
- 3. Alle Verbindungen zwischen Pumpe und Farbbehälter festziehen. Falls beschädigt, ersetzen. Auf ein Syphonset mit grösserem Durchmesser wechseln.

---

- 1. Den oberen Sitz und Ball mit Wasser testen. Falls der Ball nicht abdichtet, den Sitz ersetzen.
- 2. Dichtungen ersetzen falls sie abgenutzt ist.

---

- 1. Mit neuem Material auffüllen. Wenn es zu dickflüssig ist, den Syphonschlauch entfernen, Flüssigkeitsbereich in das Material eintauchen und Pumpe zum Grundieren anstellen. Verdünner dem Material beimischen. Auf ein grösseres Syphonset umstellen. Auslaufventil öffnen um Luft abzulassen und Pumpe neu starten.
- 2. Fussventil entfernen. Ball und Sitz reinigen.
- 3. Gerade legen.

---

- 1. Alle Verbindungen zwischen Pumpe und Spritzpistole überprüfen. Wenn nötig festziehen. Falls Material aus dem Ablassschlauch läuft, Ablassventil schliessen oder wenn nötig ersetzen. Wenn keine der obenerwähnten Lösungen erforderlich ist, die untere Dichtung ersetzen. Bälle neu setzen indem sie gereinigt werden.
- 2. Bälle neu setzen indem sie gereinigt werden.

---

- 1. Ersetzen.
- 2. Filter reinigen oder ersetzen.
- 3. Elektrizitätsservice überprüfen. Wenn nötig korrigieren.
- 4. Schlauchdicke vergrössern um den Druckabfall im Schlauch zu vermindern und/oder Schlauchlänge verringern.

---

- 1. Dichtung ersetzen.

## 8.3 HYDRAULIKMOTOR

### PROBLEM

- A. Hydraulikmotor blockiert in der unteren oder oberen Endstellung; geringer oder mittlerer Druck der Flüssigkeitspresse; ungewöhnliche Hubgeschwindigkeit; hohe Temperatur des Hydrauliköls (über 200°F, [93°C]).

### GRUND

1. Niedriger Hydraulikölstand.
2. Druckregelung zu niedrig eingestellt.
3. Ausfall hydraulischer Riemen oder Riemenscheibe.
4. Ausfall Hydraulikkolben.
5. Blockierter oder defekter Kolben Flüssigkeitsabschnitt.
6. Ausfall hydraulische Kolbenstangendichtung.
7. Ausfall hydraulische Kolbenkopfdichtung.
8. Sonstiges

### LÖSUNG

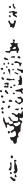
1. Ölstand prüfen. Gegebenenfalls auffüllen. Wenn Ölstand aufgefüllt ist, Controller prüfen.
2. Stellen Sie sicher, dass der Druckregler ausreichend aufgedreht ist, um den Motor anzutreiben. Wenn die Einstellung des Druckreglers korrekt ist, prüfen Sie den Riemen und die Riemenscheiben.
3. Stellen Sie sicher, dass sich der Schlüssel in der Abtriebswelle des Motors/Elektromotors und in der Eingangswelle der Hydraulikpumpe befindet. Stellen Sie sicher, dass der Riemen nicht defekt und ausreichend gespannt ist. Wenn Riemen und Riemenscheiben in Ordnung sind, wenden Sie sich an ein von Wagner zugelassenes Service-Center.
4. Sichtprüfung der hydraulischen Kolbenstange auf Defekte. Wenn die hydraulische Kolbenstange defekt ist, entfernen/ersetzen Sie den Hydraulikkolben. Je nachdem, wo der Defekt aufgetreten ist, muss eventuell auch der Kolbenkoppler ausgetauscht werden. Falls Sie Hilfe benötigen, suchen Sie bitte ein von Wagner zugelassenes Service-Center auf. Wenn der Hydraulikkolben in Ordnung ist, prüfen Sie den Kolben des Flüssigkeitsabschnitts auf Blockaden/Defekte.
5. Um den Kolben des Flüssigkeitsabschnitts auf Blockaden/Defekte zu prüfen, lösen Sie den Hydraulikkolben vom Farbkolben, indem Sie den Spannstift entfernen. Schalten Sie das Gerät ein, Wenn der Hydraulikmotor schaltet, wenn der Hydraulikkolben vom Farbkolben gelöst ist, liegt das Problem wahrscheinlich im Flüssigkeitsabschnitt. Falls Sie Hilfe benötigen, suchen Sie bitte ein von Wagner zugelassenes Service-Center auf. Wenn der Hydraulikmotor nicht schaltet, prüfen Sie die hydraulische Kolbenstangendichtung.
6. Entfernen Sie die Steckverbindung der hydraulischen Kolbenstangendichtung, die die Stangendichtung, den O-Ring und den Stangenschleißring enthält. Prüfen Sie diese auf Beschädigung und ersetzen Sie gegebenenfalls die Stangendichtung, den O-Ring oder den Stangenschleißring. Wenn die Stangendichtung, der O-Ring und der Stangenschleißring nicht beschädigt sind, prüfen Sie die hydraulische Kolbenkopfdichtung.
7. Entfernen Sie den Hydraulikkolben und prüfen/ersetzen Sie gegebenenfalls die Kolbenkopfdichtung und den Schleißring des Kolbenkopfes. Prüfen Sie bei diesem Vorgang die Zylinderbohrung auf Schäden oder ungleichmäßigen Verschleiß. Wenn die Zylinderbohrung beschädigt ist, ersetzen Sie den Pumpenblock zusammen mit der Kolbenkopfdichtung und dem Kolbenkopf-Verschleißring.
8. Wenn weiterhin Probleme bestehen, wenden Sie sich an das von Wagner zugelassene Service-Center.



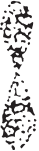
## 8.4 SPRITZMUSTER

### PROBLEM

A. Schweif



B. Stundenglas



C. Verzerrt



D. Muster ausgedehnt und zusammengedrückt (Schub)



E. Rundes Muster



### GRUND

1. Mangelhafte Flüssigkeitszufuhr

1. Mangelhafte Flüssigkeitszufuhr

1. Verstopfte oder abgenutzte Düse

1. Anschlagleck  
2. Pulsierende Flüssigkeitszufuhr

1. Abgenutzte Düse  
2. Flüssigkeit zu dickflüssig für Düse

### LÖSUNG

1. Flüssigkeit atomisiert nicht richtig: Flüssigkeitsdruck vergrößern. Düse mit einer kleineren Düse austauschen. Flüssigkeitsviskosität verringern. Schlauchlänge verringern. Spritzpistole und Filter reinigen. Anzahl Spritzpistolen, die von der Pumpe bedient werden reduzieren.

1. Gleich wie oben.

1. Düse reinigen oder ersetzen.

1. Ansaugschlauch auf Leck überprüfen.  
2. Düse mit einer kleineren Düse austauschen. Pulsschlagdämpfer im System installieren oder existierender Dämpfer ablassen. Anzahl Spritzpistolen die von der Pumpe bedient werden reduzieren. Beschränkungen im System beseitigen; Düsengitter reinigen wenn Filter benutzt wird.

1. Düse ersetzen.  
2. Druck erhöhen. Material verdünnen. Düse austauschen.

## 9 ANHANG

### 9.1 DÜSENAUSWAHL

Um eine einwandfreie und rationelle Arbeitsweise zu erzielen, ist die Auswahl der Düse von großer Wichtigkeit.

In vielen Fällen kann die richtige Düse nur über einen Spritzversuch ermittelt werden.

#### **EINIGE REGELN HIERZU:**

Der Spritzstrahl muss gleichmäßig sein.

Wenn Streifen im Spritzstrahl erscheinen, so ist der Spritzdruck zu gering oder die Viskosität des Beschichtungsstoffes zu hoch.

**Abhilfe:** Druck erhöhen oder Beschichtungsstoff verdünnen. Jede Pumpe leistet eine bestimmte Fördermenge im Verhältnis zur Düsengröße:

**Es gilt grundsätzlich:** Große Düse = niedriger Druck  
Kleine Düse = hoher Druck

Es gibt ein großes Sortiment von Düsen mit verschiedenen Spritzwinkeln.

### 9.2 WARTUNG UND REINIGUNG VON AIRLESS HARTMETALL-DÜSEN

#### **STANDARD DÜSEN**

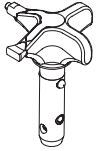
Ist eine andere Düsenausführung montiert, dann nach Herstellerangaben reinigen.

Die Düse hat eine mit größter Präzision bearbeitete Bohrung. Um eine lange Lebensdauer zu erreichen ist eine schonende Behandlung erforderlich. Denken Sie daran, dass der Hartmetalleinsatz spröde ist! Düse niemals werfen oder mit scharfen metallenen Gegenständen bearbeiten.

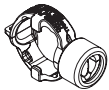
#### **Folgende Punkte sind zu beachten, um die Düse sauber und einsatzbereit zu halten:**

1. Entlastungsventil öffnen, Ventilstellung PRIME (↻ Zirkulation).
2. Gerät ausschalten.
3. Düse von der Spritzpistole demontieren.
4. Düse in ein entsprechendes Reinigungsmittel legen bis alle Beschichtungsstoffreste aufgelöst sind.
5. Wenn Druckluft vorhanden ist, Düse ausblasen.
6. Mit einem spitzen hölzernen Stab (Zahnstocher) eventuelle Reste entfernen.
7. Die Düse unter Zuhilfenahme eines Vergrößerungsglases kontrollieren und falls erforderlich, Punkt 4 bis 6 wiederholen.

**11.5 2SPEED TIP DÜSEN-TABELLE**



Die innovative Wendedüse von WAGNER vereint zwei Düsenkerne in einer Düse.

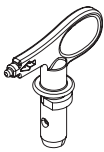


2 Speed Tip Halterung  
**Best.-Nr. 0271065**

**DÜSEN-TABELLE**

| Objektgröße                | Farbmaterialien                                      |  |  |
|----------------------------|--|--|--|
|                            | Lack (L)   | Dispersionen (D)                                     | Spachtel (S)   |
| Small                      |  | D5<br>Düsen: 111 / 415<br><b>Best.-Nr. 0271 062</b>  | S5<br>Düsen: 225 / 629<br><b>Best.-Nr. 0271 064</b>  |
|                            |  | D7<br>Düsen: 113 / 417<br><b>Best.-Nr. 0271 063</b>  |  |
|                            | L10<br>Düsen: 208 / 510<br><b>Best.-Nr. 0271 042</b> | D10<br>Düsen: 111 / 419<br><b>Best.-Nr. 0271 045</b> | S10<br>Düsen: 527 / 235<br><b>Best.-Nr. 0271 049</b> |
| Medium                     | L20<br>Düsen: 210 / 512<br><b>Best.-Nr. 0271 043</b> | D20<br>Düsen: 115 / 421<br><b>Best.-Nr. 0271 046</b> | S20<br>Düsen: 539 / 243<br><b>Best.-Nr. 0271 050</b> |
| Large                      | L30<br>Düsen: 212 / 514<br><b>Best.-Nr. 0271 044</b> | D30<br>Düsen: 115 / 423<br><b>Best.-Nr. 0271 047</b> | S30<br>Düsen: 543 / 252<br><b>Best.-Nr. 0271 051</b> |
| X-Large                    |  | D40<br>Düsen: 117 / 427<br><b>Best.-Nr. 0271 048</b> |  |
| Empfohlener Pistolenfilter | rot  | weiß   | -  |

**9.4 AIRLESS DÜSEN-TABELLE**



**Wagner TradeTip 3 Düse**  
bis 270 bar  
(27 MPa)



ohne Düse  
F-Gewinde (11/16 - 16 UN)  
für Wagner Spritzpistolen  
**Best.-Nr. 0289391**

ohne Düse  
G-Gewinde (7/8 - 14 UNF)  
für Graco/Titan Spritzpistolen  
**Best.-Nr. 0289390**



Alle Düsen in der untenstehenden Tabelle werden zusammen mit dem passenden Pistolenfilter geliefert.

| Anwendung   | Düsenmarkierung    | Spritzwinkel | Bohrung<br>inch / mm | Spritzbreite mm <sup>1)</sup> | Pistolenfilter | Bestell-Nr. |
|---|--------------------|--------------|----------------------|-------------------------------|----------------|-------------|
| <b>Wasserverdünnbare und lösemittelhaltige Lacke und Lackfarben, Öle, Trennmittel</b> | 107                | 10°          | 0.007 / 0.18         | 100                           | Rot            | 0553107     |
|   | 207                | 20°          | 0.007 / 0.18         | 120                           | Rot            | 0553207     |
|   | 307                | 30°          | 0.007 / 0.18         | 150                           | Rot            | 0553307     |
|   | 407                | 40°          | 0.007 / 0.18         | 190                           | Rot            | 0553407     |
|   | 109                | 10°          | 0.009 / 0.23         | 100                           | Rot            | 0553109     |
|   | 209                | 20°          | 0.009 / 0.23         | 120                           | Rot            | 0553209     |
|   | 309                | 30°          | 0.009 / 0.23         | 150                           | Rot            | 0553309     |
|   | 409                | 40°          | 0.009 / 0.23         | 190                           | Rot            | 0553409     |
|   | 509                | 50°          | 0.009 / 0.23         | 225                           | Rot            | 0553509     |
|   | 609                | 60°          | 0.009 / 0.23         | 270                           | Rot            | 0553609     |
| <b>Kunsthharzlacke<br/>PVC-Lacke</b>  | 111                | 10°          | 0.011 / 0.28         | 100                           | Rot            | 0553111     |
|   | 211                | 20°          | 0.011 / 0.28         | 120                           | Rot            | 0553211     |
|   | 311                | 30°          | 0.011 / 0.28         | 150                           | Rot            | 0553311     |
|   | 411                | 40°          | 0.011 / 0.28         | 190                           | Rot            | 0553411     |
|   | 511                | 50°          | 0.011 / 0.28         | 225                           | Rot            | 0553511     |
|   | 611                | 60°          | 0.011 / 0.28         | 270                           | Rot            | 0553611     |
| <b>Lacke, Vorlacke<br/>Grundlacke<br/>Füller</b>                                      | 113                | 10°          | 0.013 / 0.33         | 100                           | Rot            | 0553113     |
|   | 213                | 20°          | 0.013 / 0.33         | 120                           | Rot            | 0553213     |
|   | 313                | 30°          | 0.013 / 0.33         | 150                           | Rot            | 0553313     |
|   | 413                | 40°          | 0.013 / 0.33         | 190                           | Rot            | 0553413     |
|   | 513                | 50°          | 0.013 / 0.33         | 225                           | Rot            | 0553513     |
|   | 613                | 60°          | 0.013 / 0.33         | 270                           | Rot            | 0553613     |
|   | 813                | 80°          | 0.013 / 0.33         | 330                           | Rot            | 0553813     |
| <b>Füller<br/>Rostschutzfarben</b>  | 115                | 10°          | 0.015 / 0.38         | 100                           | Gelb           | 0553115     |
|   | 215                | 20°          | 0.015 / 0.38         | 120                           | Gelb           | 0553215     |
|   | 315                | 30°          | 0.015 / 0.38         | 150                           | Gelb           | 0553315     |
|   | 415                | 40°          | 0.015 / 0.38         | 190                           | Gelb           | 0553415     |
|   | 515                | 50°          | 0.015 / 0.38         | 225                           | Gelb           | 0553515     |
|   | 615                | 60°          | 0.015 / 0.38         | 270                           | Gelb           | 0553615     |
|   | 715                | 70°          | 0.015 / 0.38         | 300                           | Gelb           | 0553715     |
|   | 815                | 80°          | 0.015 / 0.38         | 330                           | Gelb           | 0553815     |
| <b>Rostschutzfarben<br/>Latexfarben<br/>Dispersionen</b>                              | 117                | 10°          | 0.017 / 0.43         | 100                           | Weiß           | 0553117     |
|   | 217                | 20°          | 0.017 / 0.43         | 120                           | Weiß           | 0553217     |
|   | 317                | 30°          | 0.017 / 0.43         | 150                           | Weiß           | 0553317     |
|   | 417                | 40°          | 0.017 / 0.43         | 190                           | Weiß           | 0553417     |
|   | 517                | 50°          | 0.017 / 0.43         | 225                           | Weiß           | 0553517     |
|   | 617                | 60°          | 0.017 / 0.43         | 270                           | Weiß           | 0553617     |
|   | 717                | 70°          | 0.017 / 0.43         | 300                           | Weiß           | 0553717     |
|   | 817                | 80°          | 0.017 / 0.43         | 330                           | Weiß           | 0553817     |
| <b>Rostschutzfarben<br/>Latexfarben<br/>Dispersionen</b>                              | 219                | 20°          | 0.019 / 0.48         | 120                           | Weiß           | 0553219     |
|   | 319                | 30°          | 0.019 / 0.48         | 150                           | Weiß           | 0553319     |
|   | 419                | 40°          | 0.019 / 0.48         | 190                           | Weiß           | 0553419     |
|   | 519                | 50°          | 0.019 / 0.48         | 225                           | Weiß           | 0553519     |
|   | 619                | 60°          | 0.019 / 0.48         | 270                           | Weiß           | 0553619     |
|   | 719                | 70°          | 0.019 / 0.48         | 300                           | Weiß           | 0553719     |
|   | 819                | 80°          | 0.019 / 0.48         | 330                           | Weiß           | 0553819     |
|   | 919                | 90°          | 0.019 / 0.48         | 385                           | Weiß           | 0553919     |
|   | <b>Flammschutz</b> | 221          | 20°                  | 0.021 / 0.53                  | 120            | Weiß        |
| 321   |                    | 30°          | 0.021 / 0.53         | 150                           | Weiß           | 0553321     |
| 421   |                    | 40°          | 0.021 / 0.53         | 190                           | Weiß           | 0553421     |
| 521   |                    | 50°          | 0.021 / 0.53         | 225                           | Weiß           | 0553521     |
| 621   |                    | 60°          | 0.021 / 0.53         | 270                           | Weiß           | 0553621     |
| 721   |                    | 70°          | 0.021 / 0.53         | 300                           | Weiß           | 0553721     |
| 821   |                    | 80°          | 0.021 / 0.53         | 330                           | Weiß           | 0553821     |

| Anwendung                       | Düsenmarkierung   | Spritzwinkel | Bohrung<br>inch / mm | Spritzbreite mm <sup>1)</sup> | Pistolenfilter | Bestell-Nr. |
|---------------------------------|---|--------------|----------------------|-------------------------------|----------------|-------------|
| <b>Dachbeschichtung</b>         | 223   | 20°          | 0.023 / 0.58         | 120                           | Weiß           | 0553223     |
|                                 | 323   | 30°          | 0.023 / 0.58         | 150                           | Weiß           | 0553323     |
|                                 | 423   | 40°          | 0.023 / 0.58         | 190                           | Weiß           | 0553423     |
|                                 | 523   | 50°          | 0.023 / 0.58         | 225                           | Weiß           | 0553523     |
|                                 | 623   | 60°          | 0.023 / 0.58         | 270                           | Weiß           | 0553623     |
|                                 | 723   | 70°          | 0.023 / 0.58         | 300                           | Weiß           | 0553723     |
|                                 | 823   | 80°          | 0.023 / 0.58         | 330                           | Weiß           | 0553823     |
|                                 | <b>Dickschichtmaterialien,<br/>Korrosionsschutz,<br/>Spritzspachtel</b> | 225          | 20°                  | 0.025 / 0.64                  | 120            | Weiß        |
| 325                             |   | 30°          | 0.025 / 0.64         | 150                           | Weiß           | 0553325     |
| 425                             |   | 40°          | 0.025 / 0.64         | 190                           | Weiß           | 0553425     |
| 525                             |   | 50°          | 0.025 / 0.64         | 225                           | Weiß           | 0553525     |
| 625                             |   | 60°          | 0.025 / 0.64         | 270                           | Weiß           | 0553625     |
| 725                             |   | 70°          | 0.025 / 0.64         | 300                           | Weiß           | 0553725     |
| 825                             |   | 80°          | 0.025 / 0.64         | 330                           | Weiß           | 0553825     |
| 227                             |   | 20°          | 0.027 / 0.69         | 120                           | Weiß           | 0553227     |
| 327                             |   | 30°          | 0.027 / 0.69         | 150                           | Weiß           | 0553327     |
| 427                             |   | 40°          | 0.027 / 0.69         | 190                           | Weiß           | 0553427     |
| 527                             |   | 50°          | 0.027 / 0.69         | 225                           | Weiß           | 0553527     |
| 627                             |   | 60°          | 0.027 / 0.69         | 270                           | Weiß           | 0553627     |
| 827                             |   | 80°          | 0.027 / 0.69         | 330                           | Weiß           | 0553827     |
| 229                             |   | 20°          | 0.029 / 0.75         | 120                           | Weiß           | 0553229     |
| 329                             |   | 30°          | 0.029 / 0.75         | 150                           | Weiß           | 0553329     |
| 429                             |   | 40°          | 0.029 / 0.75         | 190                           | Weiß           | 0553429     |
| 529                             |   | 50°          | 0.029 / 0.75         | 225                           | Weiß           | 0553529     |
| 629                             |   | 60°          | 0.029 / 0.75         | 270                           | Weiß           | 0553629     |
| 231                             |   | 20°          | 0.031 / 0.79         | 120                           | Weiß           | 0553231     |
| 331                             |   | 30°          | 0.031 / 0.79         | 150                           | Weiß           | 0553331     |
| 431                             |   | 40°          | 0.031 / 0.79         | 190                           | Weiß           | 0553431     |
| 531                             |   | 50°          | 0.031 / 0.79         | 225                           | Weiß           | 0553531     |
| 631                             |   | 60°          | 0.031 / 0.79         | 270                           | Weiß           | 0553631     |
| 731                             |   | 70°          | 0.031 / 0.79         | 300                           | Weiß           | 0553731     |
| 831                             |   | 80°          | 0.031 / 0.79         | 330                           | Weiß           | 0553831     |
| 233                             |   | 20°          | 0.033 / 0.83         | 120                           | Weiß           | 0553233     |
| 333                             |   | 30°          | 0.033 / 0.83         | 150                           | Weiß           | 0553333     |
| 433                             |   | 40°          | 0.033 / 0.83         | 190                           | Weiß           | 0553433     |
| 533                             |   | 50°          | 0.033 / 0.83         | 225                           | Weiß           | 0553533     |
| 633                             |   | 60°          | 0.033 / 0.83         | 270                           | Weiß           | 0553633     |
| 235                             |   | 20°          | 0.035 / 0.90         | 120                           | Weiß           | 0553235     |
| 335                             |   | 30°          | 0.035 / 0.90         | 150                           | Weiß           | 0553335     |
| 435                             |   | 40°          | 0.035 / 0.90         | 190                           | Weiß           | 0553435     |
| 535                             |   | 50°          | 0.035 / 0.90         | 225                           | Weiß           | 0553535     |
| 635                             |   | 60°          | 0.035 / 0.90         | 270                           | Weiß           | 0553635     |
| 735                             |   | 70°          | 0.035 / 0.90         | 300                           | Weiß           | 0553735     |
| 439                             |   | 40°          | 0.039 / 0.99         | 190                           | Weiß           | 0553439     |
| 539                             |   | 50°          | 0.039 / 0.99         | 225                           | Weiß           | 0553539     |
| 639                             |   | 60°          | 0.039 / 0.99         | 270                           | Weiß           | 0553639     |
| <b>Heavy Duty Applikationen</b> |   | 243          | 20°                  | 0.043 / 1.10                  | 120            | Grün        |
|                                 | 443   | 40°          | 0.043 / 1.10         | 190                           | Grün           | 0553443     |
|                                 | 543   | 50°          | 0.043 / 1.10         | 225                           | Grün           | 0553543     |
|                                 | 643   | 60°          | 0.043 / 1.10         | 270                           | Grün           | 0553643     |
|                                 | 445   | 40°          | 0.045 / 1.14         | 190                           | Grün           | 0553445     |
|                                 | 545   | 50°          | 0.045 / 1.14         | 225                           | Grün           | 0553545     |
|                                 | 645   | 60°          | 0.045 / 1.14         | 270                           | Grün           | 0553645     |
|                                 | 451   | 40°          | 0.051 / 1.30         | 190                           | Grün           | 0553451     |
|                                 | 551   | 50°          | 0.051 / 1.30         | 225                           | Grün           | 0553551     |
|                                 | 651   | 60°          | 0.051 / 1.30         | 270                           | Grün           | 0553651     |
|                                 | 252   | 20°          | 0.052 / 1.32         | 120                           | Grün           | 0553252     |
|                                 | 455   | 40°          | 0.055 / 1.40         | 190                           | Grün           | 0553455     |
|                                 | 555   | 50°          | 0.055 / 1.40         | 225                           | Grün           | 0553555     |
|                                 | 655   | 60°          | 0.055 / 1.40         | 270                           | Grün           | 0553655     |
|                                 | 261   | 20°          | 0.061 / 1.55         | 120                           | Grün           | 0553261     |
|                                 | 461   | 40°          | 0.061 / 1.55         | 190                           | Grün           | 0553461     |
|                                 | 561   | 50°          | 0.061 / 1.55         | 225                           | Grün           | 0553561     |
|                                 | 661   | 60°          | 0.061 / 1.55         | 270                           | Grün           | 0553661     |
|                                 | 263   | 20°          | 0.063 / 1.60         | 120                           | Grün           | 0553263     |
|                                 | 463   | 40°          | 0.063 / 1.60         | 190                           | Grün           | 0553463     |
| 565                             | 50°   | 0.065 / 1.65 | 225                  | Grün                          | 0553565        |             |
| 665                             | 60°   | 0.065 / 1.65 | 270                  | Grün                          | 0553665        |             |
| 267                             | 20°   | 0.067 / 1.70 | 120                  | Grün                          | 0553267        |             |
| 467                             | 40°   | 0.067 / 1.70 | 190                  | Grün                          | 0553467        |             |

1)Spritzbreite bei etwa 30 cm Abstand zum Spritzobjekt und 100 bar (10 MPa) Druck mit Kunstharzlack 20 DIN-Sekunden.

# Attention!

## Danger de blessure par injection de produit!

Les groupes "Airless" produisent des pressions de projection extrêmement élevées.

**1**

**Ne jamais exposer les doigts, les mains ou d'autres parties du corps au jet!**

**Ne jamais diriger le pistolet vers soi, vers d'autres personnes ou vers des animaux.**

**Utiliser toujours le pistolet muni de sa protection.**

**Ne traitez pas une blessure par injection comme simple coupure.**

**En cas de blessure de la peau par l'injection de peintures ou de solvants, consultez sans retard un médecin. Renseignez le médecin sur la nature de la peinture ou du solvant utilisés.**

**2**

**Avant toute mise en service, respecter les points suivants conformément aux instructions de service:**

1. Ne jamais utiliser un équipement défectueux.
2. Verrouiller le pistolet Wagner par le levier de sécurité à la gâchette.
3. Assurer la mise à la terre correcte.
4. Vérifier et respecter les pressions admissibles pour le flexible et le pistolet.
5. Contrôler l'étanchéité de tous les raccords.

**3**

**Respecter sans faute les instructions relatives au nettoyage et à l'entretien réguliers du matériel.**

**Avant toute intervention sur le matériel et pendant chaque interruption de travail, observer les règles suivantes:**

1. Evacuer la pression du pistolet et du flexible.
2. Verrouiller le pistolet Wagner par le levier de sécurité à la gâchette.
3. Arrêter le groupe.

# Ne négligez pas la sécurité!



|          |   |           |  |  |            |
|----------|---|-----------|--|--|------------|
| <b>1</b> | <b>PRESCRIPTIONS DE SÉCURITÉ POUR LA PROJECTION AIRLESS</b>                                       | <b>76</b> | <b>8</b>   | <b>DÉPANNAGE</b>                                   | <b>103</b> |
| 1.1      | Explication des symboles utilisés   | 76        | 8.1  | Pistolet sans air                                  | 103        |
| 1.2      | Dangers pour la sécurité  | 76        | 8.2  | Section des liquides                               | 103        |
| 1.3      | Utilisation sur un terrain incliné  | 78        | 8.3  | Moteurs hydrauliques                               | 104        |
| 1.4      | Sécurité en électricité   | 78        | 8.4  | Répartition de la pulvérisation                    | 105        |
| 1.5      | Sécurité du moteur à essence  | 78        | <b>9</b>   | <b>ANNEXE</b>                                      | <b>106</b> |
| 1.6      | Ravitaillement (moteur à essence)   | 79        | 9.1  | Choix des buses                                    | 106        |
| <b>2</b> | <b>GÉNÉRALITÉS D'UTILISATION</b>  | <b>80</b> | 9.2  | Entretien et nettoyage de buses Airless en carbure | 106        |
| 2.1      | Domaines d'utilisation  | 80        | 9.3  | Tableau des buses 2Speed Tip                       | 107        |
| 2.2      | Produits de revêtement  | 80        | 9.4  | Tableau des buses Airless                          | 108/109    |
| <b>3</b> | <b>DESCRIPTION DU MATÉRIEL</b>  | <b>81</b> | <b>ACCESSOIRES ET PIÈCES DE RECHANGE</b>                                   | <b>110</b>   |            |
| 3.1      | Le procédé Airless  | 81        | Liste des pièces de rechange ensemble principal I                          | 110/111  |            |
| 3.2      | Fonctionnement du matériel  | 81        | Liste des pièces de rechange ensemble principal II                         | 112/113  |            |
| 3.3      | Illustration groupes HC avec moteur à essence   | 82        | Liste des pièces de rechange ensemble de chariot                           | 114/115  |            |
| 3.4      | Illustration groupes HC avec moteur électrique  | 83        | Liste des pièces de rechange du système hydraulique                        | 116/117  |            |
| 3.5      | Caractéristiques techniques   | 84        | Liste des pièces de rechange du section des liquides • HeavyCoat 730       | 118/119  |            |
| 3.6      | Transport   | 85        | Liste des pièces de rechange du section des liquides • HeavyCoat 750 / 770 | 120/121  |            |
| 3.7      | Transport par palan   | 85        | Liste des pièces de rechange piston à auget HeavyCoat 750 SSP              | 122/123  |            |
| <b>4</b> | <b>FONCTIONNEMENT</b>   | <b>85</b> | Liste des pièces de moteur hydraulique                                     | 124/125  |            |
| 4.1      | Installation  | 85        | Liste des pièces de rechange filtre à haute pression                       | 126/127  |            |
| 4.2      | Démarrage du moteur (modèles à essence)   | 87        | Liste des pièces de rechange assemblage de la soupape de décharge          | 128/129  |            |
| 4.3      | Préparation d'un nouveau vaporisateur   | 87        | Liste des pièces de rechange pour l'ensemble du solénoïde                  | 130/131  |            |
| 4.4      | Préparation avant de peindre  | 88        | <b>SCHÉMA ÉLECTRIQUE (230V)</b>  | <b>132</b>   |            |
| 4.5      | Peinture  | 89        | <b>SCHÉMA ÉLECTRIQUE (MOTEUR À ESSENCE)</b>                                | <b>133</b>   |            |
| 4.6      | Procédure de décharge de pression   | 89        | <b>DIAGRAMME HYDRAULIQUE</b>   | <b>134</b>   |            |
| <b>5</b> | <b>PULVÉRISATION</b>  | <b>90</b> | <b>ACCESSOIRES POUR GROUPES HC I</b>                                       | <b>135</b>   |            |
| 5.1      | Nettoyage d'une buse obstruée   | 90        | <b>ACCESSOIRES POUR GROUPES HC II</b>                                      | <b>136/137</b>                                     |            |
| 5.2      | Interruptions de travail  | 91        | <b>NOTE IMPORTANTE SUR LA RESPONSABILITÉ DE PRODUIT</b>                    | <b>140</b>   |            |
| 5.3      | Manipulation du flexible à haute pression   | 91        | <b>GARANTIE PROFESSIONAL FINISHING DE 3+2 ANS</b>                          | <b>140</b>   |            |
| <b>6</b> | <b>NETTOYAGE</b>  | <b>92</b> | <b>RÉSEAU DE SERVICE WAGNER</b>  | <b>147/148</b>                                     |            |
| 6.1      | Consignes spéciales de nettoyage lors de l'utilisation du pistolet avec des solvants inflammables | 92        |  |  |            |
| 6.2      | Nettoyage du pulvérisateur  | 92        |  |  |            |
| 6.3      | Nettoyage extérieur du groupe   | 92        |  |  |            |
| 6.4      | Nettoyage de la crépine   | 93        |  |  |            |
| 6.5      | Nettoyage du pistolet Airless   | 93        |  |  |            |
| <b>7</b> | <b>ENTRETIEN</b>  | <b>94</b> |  |  |            |
| 7.1      | Entretien quotidien   | 94        |  |  |            |
| 7.2      | Lubrification des garnitures supérieures  | 94        |  |  |            |
| 7.3      | Entretien du filtre   | 94        |  |  |            |
| 7.4      | Entretien du système hydraulique  | 95        |  |  |            |
| 7.5      | Entretien de la section des fluides   | 96        |  |  |            |
| 7.6      | Tuyau flexible haute pression   | 96        |  |  |            |
| 7.7      | Entretien de base du moteur (moteur à essence)  | 97        |  |  |            |
| 7.8      | Entretien du moteur hydraulique   | 98        |  |  |            |
| 7.9      | Maintenance de la section des liquides  | 100       |  |  |            |
| 7.10     | Remplacement de la courroie   | 102       |  |  |            |

## 1 PRESCRIPTIONS DE SÉCURITÉ POUR LA PROJECTION AIRLESS

### 1.1 EXPLICATION DES SYMBOLES UTILISÉS

Veillez lire et être sûr de comprendre toutes les informations contenues dans ce manuel avant d'utiliser l'appareil. Lorsque vous pénétrez dans une zone qui contient les symboles suivants, soyez particulièrement vigilant et vérifiez que les systèmes de sécurité sont bien installés.



→ Ce symbole indique un risque potentiel pouvant entraîner des blessures graves ou même mortelles. Vous trouverez ci-après d'importantes consignes de sécurité.



Attention

→ Ce symbole indique un risque potentiel pour vous ou pour l'appareil. D'importantes informations sur la manière d'éviter tout dommage de l'équipement ou d'éviter des blessures légères sont indiquées ci-après.



→ Danger de blessure par injection de produit



→ Danger d'incendie



→ Risque d'explosion



→ Vapeurs toxiques et/ou inflammables. Danger d'intoxication et de brûlure



→ Risque de blessure par choc électrique



→ Les notes contiennent des informations qui doivent être consciencieusement respectées.

### 1.2 DANGERS POUR LA SÉCURITÉ



#### RISQUE : BLESSURE PAR PROJECTION

Un courant de liquide à haute pression produit par cet équipement peut percer la peau et les tissus sous-cutanés, et entraîner des blessures graves ou une amputation.

Ne traitez pas une blessure par injection comme simple coupure. En cas de blessure de la peau par l'injection de peintures ou de solvants, consultez sans retard un médecin. Renseignez le médecin sur la nature de la peinture ou du solvant utilisés.

#### PRÉVENTION :

- NE dirigez JAMAIS le pistolet vers une partie du corps, quelle qu'elle soit.
- NE laissez JAMAIS une partie du corps entrer en contact avec le flux de liquide. NE laissez JAMAIS votre corps au contact d'une fuite dans le tuyau de liquide.
- NE placez JAMAIS vos mains devant le pistolet. Les gants ne constituent pas un rempart suffisant contre les blessures par projection.
- Bloquez TOUJOURS la gâchette du pistolet, éteignez la pompe et vidangez toute la pression avant toute opération d'entretien, avant de nettoyer une buse ou une protection, avant de changer une buse ou si vous laissez l'appareil sans surveillance. La pression ne s'évacue pas simplement en éteignant le moteur. La vanne prime/SPRaY ou la vanne de décharge de la pression doivent être placées dans les positions souhaitées pour vidanger la pression.
- Conservez TOUJOURS la protection de la buse en place lorsque vous pulvérisez. La protection de la buse fournit une certaine protection mais il s'agit principalement d'un système d'alarme.
- Enlevez TOUJOURS la buse de pulvérisation avant de rincer ou de nettoyer le système.
- N'utilisez JAMAIS un pistolet pulvérisateur sans blocage de gâchette et sans protection de gâchette.
- Tous les accessoires doivent pouvoir travailler à la pression de travail maximale du pulvérisateur ou au-dessus. Ceci concerne les buses de pulvérisation, les pistolets, les rallonges et le tuyau.



### RISQUE : FLEXIBLE À HAUTE PRESSION

Le tuyau de peinture peut présenter des fuites dues à l'usure, aux pincements et aux mauvaises utilisations. Toute fuite peut entraîner une projection de matériau dans la peau. Vérifiez soigneusement le tuyau avant chaque utilisation.

#### PRÉVENTION :

- Il faut éviter de trop plier le flexible; le plus petit rayon ne doit pas être inférieur à 20 cm.
- Protéger le flexible contre le passage de véhicules et éviter le frottement sur des arêtes vives.
- Remplacer immédiatement tout tuyau à haute pression endommagé.
- Ne jamais essayer de réparer un flexible endommagé!
- La charge électrostatique du pistolet et du flexible est évacuée par ce dernier. Pour cette raison, la résistance électrique entre les raccords du flexible doit être égale ou inférieure à 1 mégohm.
- Pour des raisons de fonctionnement, de sécurité et de durée utile utiliser exclusivement des flexibles à haute pression originaux de Wagner.
- Avant chaque utilisation, vérifiez que les tuyaux ne présentent ni coupures, ni fuites, ni signes d'abrasion ou de renflement du revêtement. Vérifiez l'état et le mouvement des raccords. Remplacez immédiatement les tuyaux s'ils sont en mauvais état. Ne réparez jamais un tuyau de peinture. Remplacez-le par un tuyau à haute pression relié à la masse.
- Assurez vous que le tuyau à air et les tuyaux de pulvérisation sont disposés de façon à éviter les risques de glissade, de trébuchement ou de chute.



### RISQUE : EXPLOSION ET INCENDIE

Les vapeurs inflammables, telles que les vapeurs de solvant et de peinture, dans une zone de travail peuvent s'enflammer ou exploser.



#### PRÉVENTION :

- Servez-vous de l'équipement dans un endroit bien aéré. Faites circuler beaucoup d'air frais dans l'endroit afin d'éviter l'accumulation de vapeurs inflammables dans la zone de pulvérisation. Entreposez l'ensemble de la pompe dans un endroit bien aéré. Ne pulvérisez pas l'ensemble de la pompe.
- Modèles électriques uniquement - N'utilisez pas de peintures ayant un point d'éclair sous 38 °C (100 °F). Le point d'éclair est la température à laquelle un liquide peut produire suffisamment de vapeurs pour s'enflammer.
- Modèles à essence uniquement - Ne faites jamais le plein lorsque le moteur est en marche ou chaud. Éteignez le moteur et laissez-le refroidir. L'essence est inflammable. Elle peut s'enflammer ou exposer si on en renverse sur une surface chaude.
- Éliminez toutes les sources d'inflammation, comme les veilleuses, les cigarettes, les lampes électriques portatives et les toiles de protection en plastique (risque d'arc statique).
- Gardez la zone de travail exempte de débris, y compris des solvants, des chiffons et d'essence.
- Ne branchez ou ne débranchez pas les cordons d'alimentation, ne mettez pas l'appareil en marche, n'allumez ou n'éteignez pas les lumières lorsque des vapeurs inflammables sont présentes.
- Mettez à terre l'équipement et les objets conducteurs dans la zone de travail. Assurez-vous que le câble de mise à la terre (non inclus) relie la patte de mise à la terre à une prise de terre réelle.
- Utilisez uniquement des tuyaux mis à la terre.
- Tenez le pistolet de pulvérisation fermement contre le côté d'un seau mis à la terre lorsque vous pulvérisez dans le seau.
- S'il y a production d'étincelles statiques ou si vous ressentez un choc, arrêtez le fonctionnement immédiatement.
- Soyez au courant du contenu de la peinture et des solvants à pulvériser. Lisez toutes les fiches signalétiques (FS) et les étiquettes des récipients de peinture et de solvant. Suivez les consignes de sécurité du fabricant de peinture et du solvant.
- N'utilisez pas de peinture ou de solvant contenant des hydrocarbures hydrogénés, comme du chlore, de l'eau de Javel, un agent anti-moisissure, du chlorure de méthylène et du trichloroéthane. Ils ne sont pas compatibles avec l'aluminium. Communiquez avec le fournisseur de revêtement au sujet de la compatibilité du produit avec l'aluminium.
- Gardez un extincteur dans la zone de travail.



### RISQUE : VAPEURS DANGEREUSES

Les peintures, solvants, et autres matériaux peuvent être nocifs en cas d'inhalation ou de contact avec la peau. Les vapeurs peuvent entraîner de sérieuses nausées, des syncopes ou des empoisonnements.

#### PRÉVENTION :

- Pendant le travail de protection porter un masque respiratoire. Lisez attentivement toutes les instructions fournies avec le masque pour vous assurer qu'il fournit bien la protection nécessaire.
- Tous les règlements locaux en matière de protection contre les vapeurs toxiques doivent être respectés.
- Portez des protections oculaires.
- Pour protéger la peau il est nécessaire de porter des vêtements de protection, des gants et d'utiliser éventuellement une crème de protection de la peau. Observer les prescriptions des fabricants au sujet des produits de peinture, de nettoyage et des solvants pendant la préparation, la mise en oeuvre et le nettoyage du matériel.



### RISQUE : GÉNÉRALITÉS

peut entraîner des blessures sévères ou des dégâts matériels.

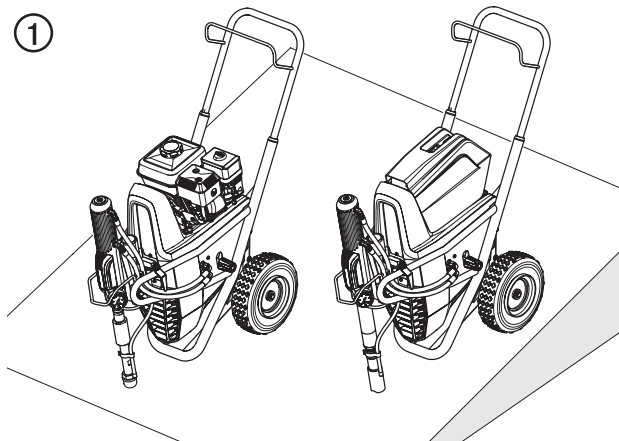
#### PRÉVENTION :

- Respectez toutes les réglementations locales et nationales concernant la ventilation, la prévention des incendies et le fonctionnement.
- Lorsque vous appuyez sur la détente, il se produit un mouvement de recul de la main qui tient le pistolet pulvérisateur. Le recul du pistolet pulvérisateur est particulièrement puissant lorsque la buse a été démontée et lorsque la pompe sans air a été réglée sur une pression élevée. Lors du nettoyage sans buse, réglez donc le bouton de contrôle de la pression sur la pression minimale.
- N'utilisez que des pièces de rechange d'origine. L'utilisateur assume tous les risques s'il utilise des pièces qui ne correspondent pas aux spécifications minimales et aux dispositifs de sécurité du fabricant de la pompe.
- Respectez TOUJOURS les consignes du fabricant du matériau pour manipuler la peinture et les solvants en toute sécurité.
- Nettoyez immédiatement les matériaux tombés et le solvant déversé accidentellement, afin d'éviter les risques de glissade.
- Munissez-vous d'une protection auditive. Le bruit émis par cet appareil peut dépasser les 85 dB(A).
- Ne laissez jamais cet outil sans surveillance. Tenez-le hors de portée des enfants ou des personnes non familiarisées avec le fonctionnement des équipements sans air.
- Ne vaporisez pas à l'extérieur en cas de vent.
- L'appareil et tous ses liquides (p. ex., huile hydraulique) doivent être détruits sans danger pour l'environnement.

### 1.3 UTILISATION SUR UN TERRAIN INCLINÉ

La partie avant du groupe doit montrer vers le bas afin d'éviter un déplacement involontaire.

Sur les supports inclinés, l'appareil ne peut pas être utilisé, vu qu'il a tendance à migrer du fait des vibrations.



### 1.4 SÉCURITÉ EN ÉLECTRICITÉ

Les modèles électriques doivent être reliés à la terre. En cas de court-circuit électrique, la mise à la terre réduit les risques de choc électrique en fournissant un fil d'échappement pour le courant électrique. Ce produit est équipé d'un câble avec un fil de mise à la terre et une fiche de mise à la terre adaptée. Branchement au réseau seulement par un point d'alimentation spécial, par exemple par un disjoncteur à courant de défaut de INF < 30 mA.

|  |  |
|--|--|
|  | <p>DANGER — Les travaux ou réparations sur l'équipement électrique doivent être confiés uniquement à un électricien qualifié. Nous déclinons toute responsabilité en cas d'installation inappropriée. Arrêter l'appareil. Avant toutes réparations, tirer la fiche de la prise de courant.</p> |
|  | <p>Danger de court-circuit par la pénétration d'eau dans l'équipement électrique. Ne jamais nettoyer le matériel avec un jet d'eau ou de vapeur sous haute pression.</p>   |

### 1.5 SÉCURITÉ DU MOTEUR À ESSENCE

1. Les moteurs à essence sont conçus pour offrir un service sûr et stable à condition d'être utilisés conformément aux instructions. Lisez attentivement et assurez-vous de bien comprendre le Manuel d'utilisateur du fabricant du moteur avant d'utiliser le moteur. Dans le cas contraire, vous pourriez vous blesser ou endommager l'équipement.
2. En vue d'éviter tout risque d'incendie et de fournir une ventilation adéquate, conservez le moteur à 1 mètre (3 pieds) minimum de tout bâtiment et de tout autre équipement pendant son fonctionnement. Ne placez pas d'objets inflammables à proximité du moteur.

3. Les personnes qui n'utilisent pas l'appareil doivent s'en éloigner afin d'éviter le risque de brûlures des composantes chaudes du moteur ou le danger de blessures provenant de l'équipement utilisé pour faire fonctionner l'appareil.
4. Sachez comment arrêter rapidement le moteur, et veillez à bien comprendre le fonctionnement de toutes les commandes. N'autorisez jamais personne à utiliser le moteur sans prendre connaissance des instructions adéquates.
5. L'essence est un produit extrêmement inflammable pouvant exploser sous certaines conditions.
6. Faites le plein d'essence dans une zone suffisamment ventilée, le moteur à l'arrêt. Ne fumez pas et évitez tout flamme ou étincelle dans la zone d'alimentation en essence ou dans le lieu où est stockée l'essence.
7. Ne remplissez pas trop le réservoir d'essence. Après avoir fait le plein d'essence, assurez-vous que le couvercle du réservoir est correctement et solidement refermé.
8. Faites attention à ne pas répandre de l'essence lors du remplissage du réservoir. Les vapeurs d'essence ou l'essence répandue sont susceptibles de s'enflammer. Si vous venez à déverser de l'essence, assurez-vous que la zone est bien sèche avant de mettre le moteur en marche.
9. Ne faites jamais fonctionner le moteur dans un espace clos ou confiné. L'échappement contient du monoxyde de carbone toxique ; toute exposition pourrait occasionner une perte de connaissance, voire entraîner la mort.
10. Le pot d'échappement devient extrêmement chaud pendant le fonctionnement et reste chaud pendant un certain moment même après l'arrêt du moteur. Veillez à ne pas toucher le pot d'échappement lorsqu'il est chaud. En vue d'éviter de sérieuses brûlures ou des risques d'incendie, laissez refroidir le moteur avant de le transporter ou de le ranger à l'intérieur.
11. Ne déplacez / transportez jamais le pulvérisateur lorsqu'il y a de l'essence dans le réservoir.

détonation » (un bruit d'ébranlage métallique) tenace qui, s'il est grave, peut endommager le moteur.



S'il y a un « cognement » ou une « détonation » à une vitesse constante avec une charge normale, utilisez une autre marque d'essence. Si vous obtenez toujours un cognement ou une détonation, consultez un distributeur agréé du fabricant de moteurs. Le fait de ne pas suivre cette directive constitue un abus. Les dommages causés par l'abus ne sont pas couverts par la garantie restreinte du fabricant du moteur.

Il se peut que vous entendiez parfois une détonation légère pendant le fonctionnement avec des charges lourdes. Il n'y a aucune raison de s'inquiéter, cela signifie simplement que votre moteur fonctionne de façon efficiente.

- L'essence sans plomb produit moins de dépôts du moteur et de la bougie, et rallonge la durée de vie des composantes du système d'échappement.
- Ne jamais utiliser de l'essence éventée ou contaminée, ou un mélange d'huile et d'essence. Évitez de laisser entrer de la saleté, de la poussière ou de l'eau dans le réservoir à essence.

**ESSENCES CONTENANT DE L'ALCOOL**

Si vous décidez d'utiliser une essence qui contient de l'alcool (gasohol), assurez-vous qu'elle a au moins un indice d'octane correspondant à celui qui est recommandé par le fabricant du moteur. Il existe deux types de « gasohol » : un type contient de l'éthanol, tandis que l'autre contient du méthanol. N'utilisez pas un gasohol qui contient plus de 10 % d'éthanol. N'utilisez pas d'essence qui contient du méthanol (alcool méthylique ou de bois), mais qui n'inclut pas également des cosolvants et des inhibiteurs de corrosion pour le méthanol. N'utilisez jamais de l'essence qui contient plus de 5 % de méthanol, même si elle contient également des cosolvants et des inhibiteurs de corrosion.



Les dommages au système d'alimentation ou les problèmes de rendement du moteur découlant de l'utilisation d'essences contenant de l'alcool ne sont pas couverts par la garantie. Le fabricant du moteur ne peut pas approuver l'utilisation d'essences contenant du méthanol étant donné que leur adaptation n'a pas encore été éprouvée. Avant d'acheter de l'essence d'une station-service inconnue, essayez de savoir si l'essence contient de l'alcool. Si elle en contient, confirmez le type d'alcool utilisé, ainsi que le pourcentage inclus. Si vous remarquez des caractéristiques de fonctionnement indésirables lorsque vous utilisez une essence qui contient de l'alcool, ou que vous croyez qu'elle contient de l'alcool, utilisez une essence dont vous êtes certains qu'elle ne contient pas d'alcool.



N'UTILISEZ PAS cet appareil pour pulvériser de l'eau ou de l'acide.

**1.6 RAVITAILLEMENT (MOTEUR À ESSENCE)**



L'essence est extrêmement inflammable et explosive dans certaines conditions.

**SPÉCIFICATIONS DU CARBURANT**

- Utilisez une essence automobile ayant un indice d'octane d'au moins 86, ou un indice d'octane recherche d'au moins 91. L'utilisation d'une essence ayant un indice d'octane inférieur peut causer un « cognement » ou une «



## 2 GÉNÉRALITÉS D'UTILISATION

### 2.1 DOMAINES D'UTILISATION

Le domaine principal d'utilisation est l'application de couches épaisses de produits visqueux sur grandes surfaces avec débit élevé.

Couches de fond et de finition de surfaces importantes, scellement, imprégnation, assainissement de bâtiments, protection et rénovation de façades, protection antirouille et de bâtiments, revêtement de toits, assainissement de béton, protection anticorrosion lourde.

#### EXEMPLES DE TRAVAUX

Génie civile, tours de refroidissement, ponts, stations d'épuration et toits plats.

#### TEMPÉRATURE DE FONCTIONNEMENT

Cet équipement fonctionnera correctement à sa température ambiante visée, entre +10°C et +40°C au moins.

#### HUMIDITÉ RELATIVE

Cet équipement fonctionnera correctement dans un milieu ayant une humidité relative de 50 %, à +40°C. Une humidité relative plus élevée peut être permise à des températures plus basses.

L'acheteur doit prendre des mesures afin d'éviter les effets destructeurs de la condensation accidentelle.

#### ALTITUDE

Cet équipement fonctionnera correctement jusqu'à 2 100 m au-dessus du niveau moyen de la mer.

#### TRANSPORT ET ENTREPOSAGE

Cet équipement résistera aux températures de transport et d'entreposage entre -25°C et +55°C et jusqu'à +70°C pour des périodes courtes, ou il est protégé pour résister à ces températures.

Son emballage prévient les dommages des effets de l'humidité, de la vibration et des coups normaux.

### 2.2 PRODUITS DE REVÊTEMENT

#### PRODUITS DE REVÊTEMENT UTILISABLES

Laques et peintures diluables à l'eau et solvantées, produits de revêtement à deux composants, dispersions, peintures latex.

Mise en œuvre d'autres produits seulement avec l'accord de Wagner.



Veiller à la qualité Airless des produits utilisés.

#### VISCOSITÉ

L'appareil permet de mettre en œuvre des produits de revêtement d'une viscosité jusqu'à 50.000 / 65.000 mPas. Si le débit de pulvérisation diminue fortement pour des produits de revêtement de haute viscosité, diluer conformément aux indications du fabricant.



Si le produit est remué avec un agitateur mécanique, éviter la formation de bulles d'air dans le produit qui pourraient entraîner des arrêts de fonctionnement.

#### PRODUITS DE REVÊTEMENT AVEC ADDITIFS À ARÊTES VIVES

Ces particules exercent une forte action abrasive sur les vannes et la buse, ainsi que sur le pistolet de pulvérisation. La durée de vie de ces pièces d'usure en est fortement réduite.

#### PRODUITS À DEUX COMPOSANTS

Respecter scrupuleusement le temps d'utilisation correspondant (vie en pot). Rincer et nettoyer le matériel à l'intérieur de ce temps avec le produit de nettoyage adéquat.

#### FILTRATION

Une filtration suffisante est nécessaire pour un fonctionnement sans perturbation. L'appareil est muni d'un filtre d'aspiration, d'un filtre d'insertion dans le pistolet de pulvérisation et d'un filtre à haute pression. Un contrôle régulier de ces filtres pour détérioration ou encrassement est instamment recommandé.

En cas d'utilisation de ce pulvérisateur avec des produits texturés, il est essentiel de retirer le filtre à l'intérieur du pistolet pulvérisateur. Consultez la section 6.5.



### 3 DESCRIPTION DU MATÉRIEL

#### 3.1 LE PROCÉDÉ AIRLESS

Le domaine principal d'utilisation est l'application de couches épaisses de produits visqueux sur grandes surfaces avec débit élevé.

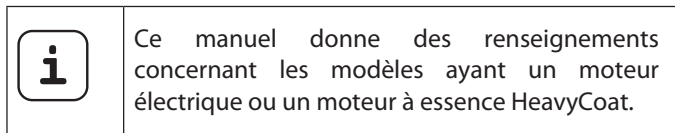
La pompe à piston aspire le produit et le refoule sous pression vers la buse. En passant par l'orifice de la buse avec une pression de maximum 25 MPa (250 bar) le produit est éclaté en très fines particules.

Etant donné l'absence d'air dans ce système, il est connu sous le nom „AIRLESS“ (sans air).

Ce procédé de projection comporte les avantages tels que pulvérisation très fine, peu de brouillard, surfaces lisse sans bulles. A part de ces avantages, il y a lieu de mentionner la vitesse de travail et la maniabilité.

#### 3.2 FONCTIONNEMENT DU MATÉRIEL

Pour mieux comprendre le fonctionnement, voici une brève description de la conception technique.



Wagner HeavyCoat sont des groupes de projection à haute pression entraînés par moteur à essence ou moteur électrique.

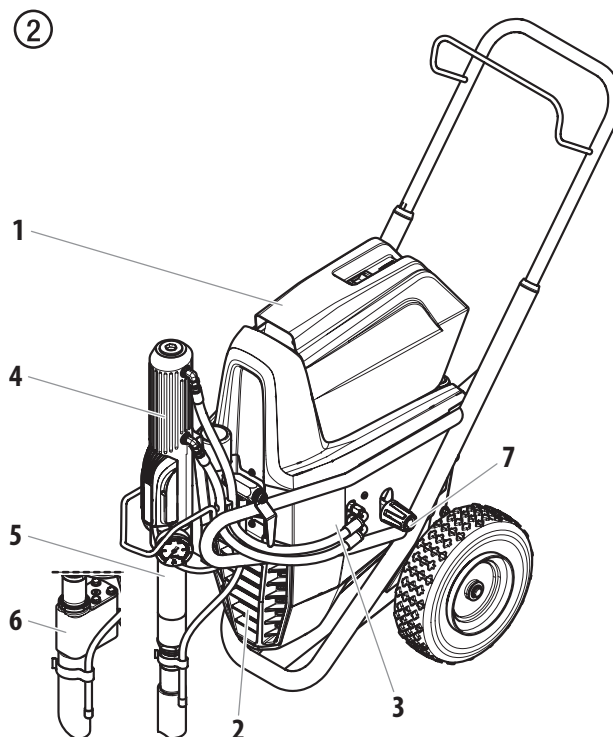
Le moteur à essence ou moteur électrique (fig. 1, pos. 1) entraîne la pompe hydraulique (3) par l'intermédiaire de la courroie trapézoïdale sous sa protection (2). L'huile hydraulique arrive au moteur hydraulique (4) et imprime au piston de la pompe de produit (5) un mouvement de montée et de descente.

En ce qui concerne le matériel HC 750 SSP le piston de la pompe de produit agit sur un piston à auget (6) qui refoule les produits de revêtement les plus visqueux.

A la montée du piston la vanne d'aspiration s'ouvre automatiquement. A la descente du piston, le clapet de refoulement s'ouvre.

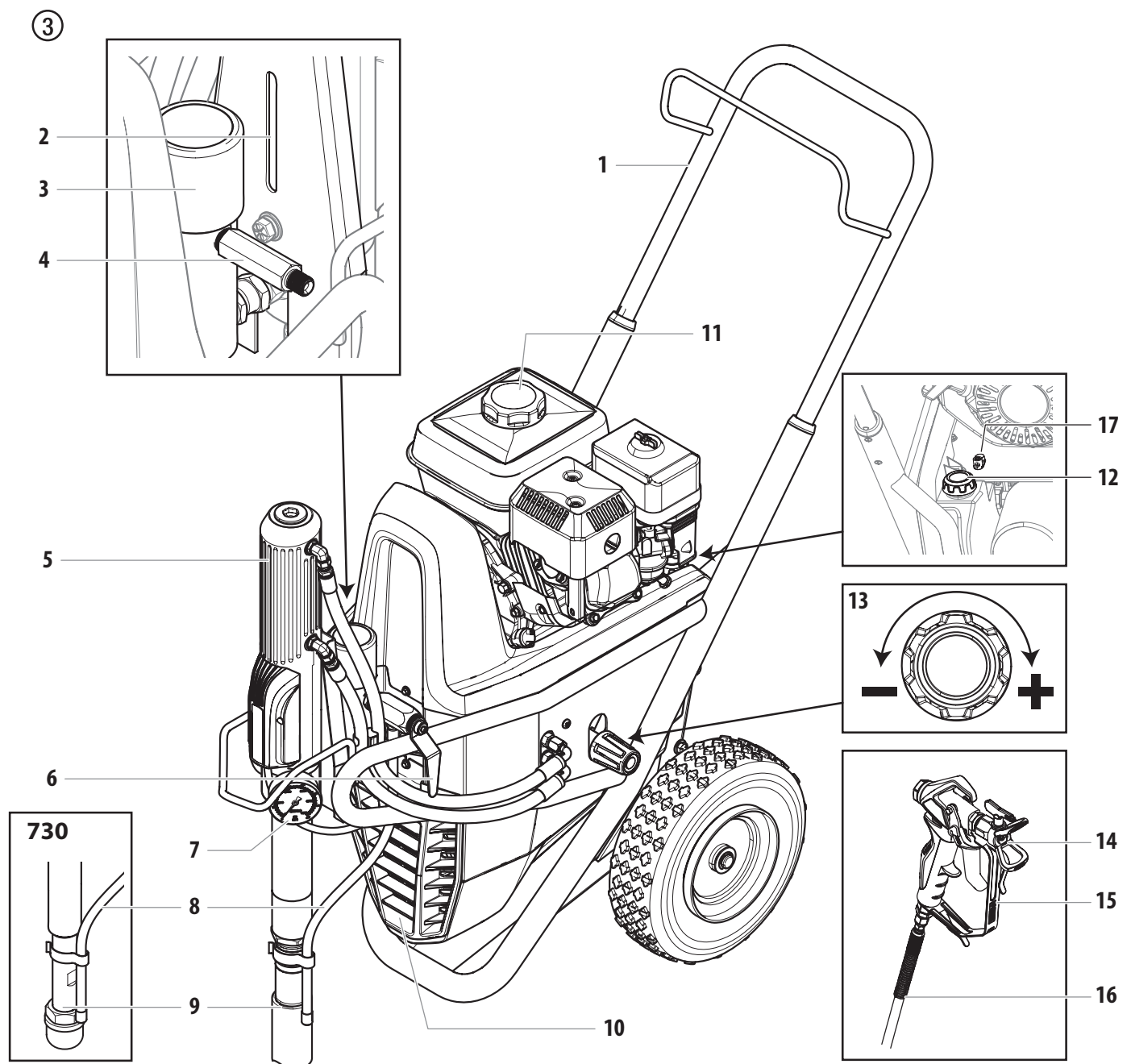
Le produit est refoulé sous haute pression par le flexible au pistolet où il est éclaté en passant par la buse.

La vanne de réglage de pression (7) règle le débit ainsi que la pression de fonctionnement.



## 3.3 ILLUSTRATION GROUPES HEAVYCOAT AVEC MOTEUR À ESSENCE

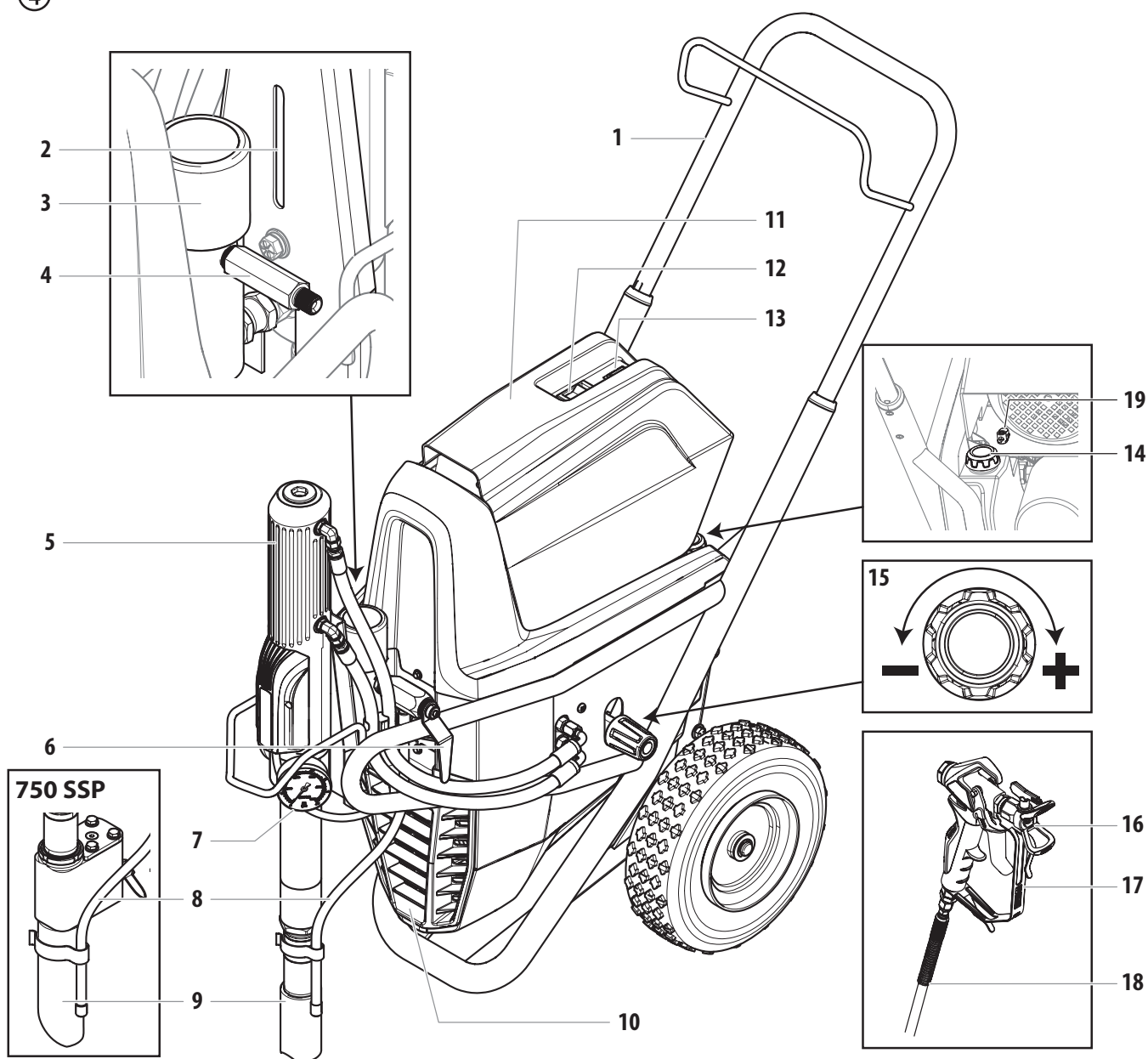
- |  |   |   |
|--|---|---|
| 1. Timon extensible  | 6. Poignée de la vanne de décharge<br>tourner à gauche ↻ circulation<br>tourner à droite ↻ projection | 11. Moteur à essence                      |
| 2. Ouverture de remplissage pour l'huile de balayage (l'huile de balayage empêche usure rapide des garnitures) | 7. Manomètre  | 12. Jauge de niveau d'huile               |
| 3. Filtre à haute pression   | 8. Tuyau de décharge  | 13. Bouton de réglage de pression         |
| 4. Sortie du tuyau à haute pression  | 9. Tube du siphon   | 14. Protecteur de buse avec buse sans air |
| 5. Moteur hydraulique  | 10. Courroie trapézoïdale sous sa protection  | 15. Pistolet de projection                |
|  |   | 16. Flexible haute pression               |
|  |   | 17. Barrette de mise à la masse           |



3.4 ILLUSTRATION GROUPES HEAVYCOAT AVEC MOTEUR ÉLECTRIQUE

- |  |   |  |
|--|---|--|
| 1. Timon extensible  | 6. Poignée de la vanne de décharge<br>tourner à gauche ↻ circulation<br>tourner à droite ↻ projection | 12. Interrupteur MARCHÉ/ARRET  |
| 2. Ouverture de remplissage pour l'huile de balayage (l'huile de balayage empêche usure rapide des garnitures) | 7. Manomètre  | 13. Dès que la fiche de réseau est branchée, le voyant vert s'allume |
| 3. Filtre à haute pression   | 8. Tuyau de décharge  | 14. Jauge de niveau d'huile  |
| 4. Sortie du tuyau à haute pression  | 9. Tube du siphon   | 15. Bouton de réglage de pression                                    |
| 5. Moteur hydraulique  | 10. Courroie trapézoïdale sous sa protection  | 16. Protecteur de buse avec buse sans air                            |
|  | 11. Moteur électrique   | 17. Pistolet de projection   |
|  |   | 18. Flexible haute pression  |
|  |   | 19. Barrette de mise à la masse                                      |

④



### 3.5 CARACTÉRISTIQUES TECHNIQUES

|  | HeavyCoat 730 (gas)             | HeavyCoat 750 (230V)          | HeavyCoat 750 SSP (230V)       | HeavyCoat 750 (gas)            | HeavyCoat 770 (gas)           |
|--|---------------------------------|-------------------------------|--------------------------------|--------------------------------|-------------------------------|
| <b>Moteur à essence, puissance</b>               |                                 |                               |                                |                                |                               |
| Honda  | 163cc, 4.9 Hp, 3.6 kW           | -----                         | -----                          | 196cc, 5.6 Hp, 4.1 kW          | 270cc, 8.4 Hp, 6.2 kW         |
| <b>Capacité du réservoir d'essence</b>           |                                 |                               |                                |                                |                               |
|  | 3,1 l                           | -----                         | -----                          | 3,1 l                          | 6,06 l                        |
| <b>Tension</b>                                   |                                 |                               |                                |                                |                               |
|  | -----                           | ~ 230V, 50/60 Hz              | ~ 230V, 50/60 Hz               | -----                          | -----                         |
| <b>Puissance absorbée</b>                        |                                 |                               |                                |                                |                               |
|  | -----                           | 3,1 kW                        | 3,1 kW                         | -----                          | -----                         |
| <b>Cordon d'alimentation</b>                     |                                 |                               |                                |                                |                               |
|  | -----                           | 3 x 2.5 mm <sup>2</sup> – 6 m | 3 x 2.5 mm <sup>2</sup> – 6 m  | -----                          | -----                         |
| <b>Fusible</b>                                   |                                 |                               |                                |                                |                               |
|  | -----                           | 15 A                          | 15 A                           | -----                          | -----                         |
| <b>Pression de service maximale</b>              |                                 |                               |                                |                                |                               |
|  | 25 MPa (250 bar)                | 25 MPa (250 bar)              | 25 MPa (250 bar)               | 25 MPa (250 bar)               | 25 MPa (250 bar)              |
| <b>Niveau sonore maximum</b>                     |                                 |                               |                                |                                |                               |
|  | 92 dB (A)*                      | 80 dB (A)*                    | 80 dB (A)*                     | 92 dB (A)*                     | 98 dB (A)*                    |
| <b>Orifice de buse maximum avec un pistolet</b>  |                                 |                               |                                |                                |                               |
| 1-pistolet                                       | 0,041" – 1,04 mm                | 0,043" – 1,09 mm              | 0,043" – 1,09 mm               | 0,047" – 1,19 mm               | 0,055" – 1,40 mm              |
| 2-pistolet                                       | 0,029" – 0,73 mm                | 0,031" – 0,79 mm              | 0,031" – 0,79 mm               | 0,033" – 0,84 mm               | 0,039" – 0,99 mm              |
| 3-pistolet                                       | 0,021" – 0,53 mm                | 0,023" – 0,58 mm              | 0,023" – 0,58 mm               | 0,027" – 0,68 mm               | 0,031" – 0,79 mm              |
| 4-pistolet                                       | 0,019" – 0,48 mm                | 0,021" – 0,53 mm              | 0,021" – 0,53 mm               | 0,023" – 0,58 mm               | 0,027" – 0,68 mm              |
| <b>Débit maximum</b>                             |                                 |                               |                                |                                |                               |
|  | 6,00 l/min                      | 6,00 l/min                    | 6,00 l/min                     | 7,60 l/min                     | 11,4 l/min                    |
| <b>Poids</b>                                     |                                 |                               |                                |                                |                               |
|  | 78 kg                           | 85 kg                         | 87 kg                          | 81 kg                          | 90 kg                         |
| <b>Système d'aspiration</b>                      |                                 |                               |                                |                                |                               |
|  | standard                        | submersible                   | piston à auget                 | submersible                    | submersible                   |
| <b>Viscosité maximale</b>                        |                                 |                               |                                |                                |                               |
|  | 50.000 mPa·s                    |                               |                                | 65.000 mPa·s                   |                               |
| <b>Encombrement longueur-largeur-hauteur</b>     |                                 |                               |                                |                                |                               |
|  | 1090 x 660 x 866 mm             |                               |                                |                                |                               |
| <b>Température maximale du produit</b>           |                                 |                               |                                |                                |                               |
|  | 43° C                           |                               |                                |                                |                               |
| <b>Cartouche filtrante (équipement standard)</b> |                                 |                               |                                |                                |                               |
|  | 50 mailles, 56 cm <sup>2</sup>  | 0 mailles, 56 cm <sup>2</sup> | 50 mailles, 56 cm <sup>2</sup> | 50 mailles, 56 cm <sup>2</sup> | 5 mailles, 56 cm <sup>2</sup> |
| <b>Capacité d'huile hydraulique</b>              |                                 |                               |                                |                                |                               |
|  | 5,9 l (1,56 gal)                |                               |                                |                                |                               |
| <b>Pression maximale de gonflage des pneus</b>   |                                 |                               |                                |                                |                               |
|  | 0,2 MPa (2 bar, 30 PSI)         |                               |                                |                                |                               |
| <b>Fouet du flexible</b>                         |                                 |                               |                                |                                |                               |
|  | DN 6 mm, 15 m, raccord NPSM 1/4 |                               |                                |                                |                               |

\* Lieu de mesure: à distance latérale de 1 m de l'appareil et 1,60 m au-dessus du sol, pression de service 12 MPa (120 bars), sol réverbérant.

### 3.6 TRANSPORT



Ne vous servez pas de la poignée du chariot pour soulever lors du chargement ou du déchargement.

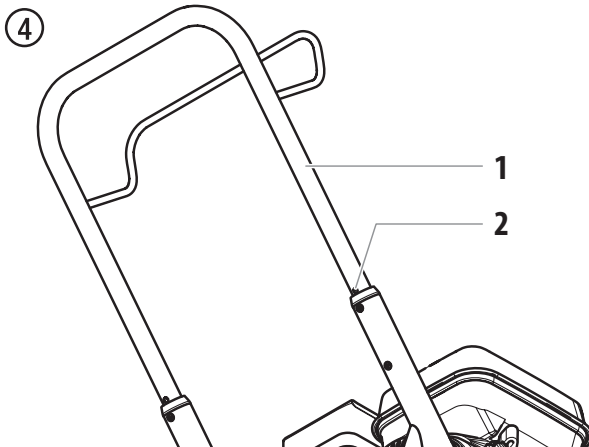
L'appareil est très lourd. Trois personnes sont nécessaires pour les soulever.

#### TRANSPORT PAR VÉHICULE

Assurer le matériel par des moyens de fixation appropriés

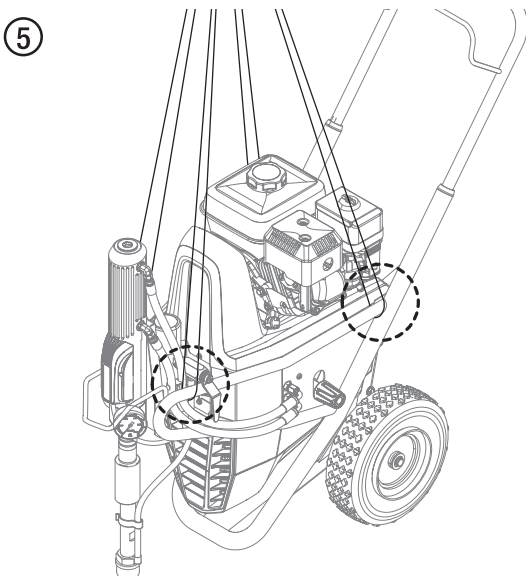
#### POUSSER OU TIRER LE MATÉRIEL

Sortir la poignée (fig. 4, pos. 1) en butée. Pour rentrer la poignée - enfoncer les boutons (2) sur les tubes du châssis, puis rentrer la poignée.



### 3.7 TRANSPORT PAR PALAN

Points d'accrochage des élingues ou cordes voir fig. 5.



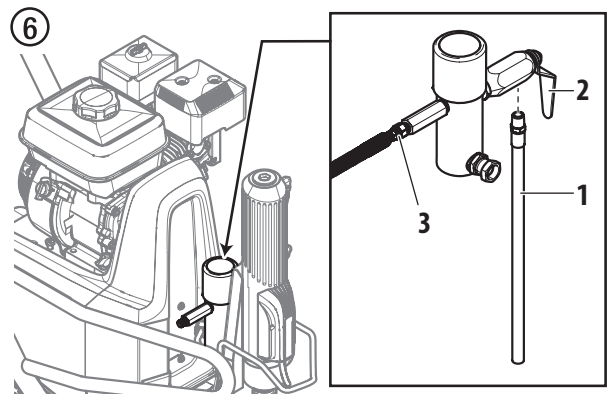
## 4 FONCTIONNEMENT



L'équipement produit un flot de fluides à extrêmement haute pression. Lisez et comprenez les avertissements de la section des Mesures de sécurité à l'avant du manuel avant d'utiliser l'équipement.

### 4.1 INSTALLATION

1. S'assurer que le tuyau de purge (fig. 6, article 1) est vissé dans la vanne de purge (2). Le raccord a été recouvert de ruban de PTFE à l'usine, il devrait donc être serré à l'aide d'une clé.
2. Attachez au moins 15 m de tuyau en nylon (3) du pistolet sans air au pulvérisateur. N'utilisez pas de ruban de PTFE ou de pâte d'étanchéité pour raccords filetés sur le raccord du tuyau de pulvérisation.

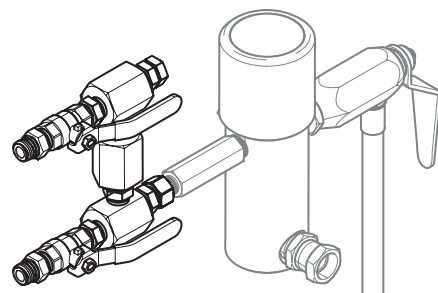


3. Attachez un pistolet de pulvérisation sans air au tuyau de pulvérisation. N'attachez pas encore la buse de pulvérisation au pistolet. Retirez la buse si elle se trouve déjà sur le pistolet.




Pour le fonctionnement à pistolets multiples, branchez un collecteur à pistolets multiples à la sortie du pistolet simple. Branchez un tuyau et un pistolet à chaque sortie. Assurez-vous que la sortie du second pistolet demeure branchée. Consultez les « Caractéristiques techniques » à la section 3.5 afin de déterminer le nombre de pistolets et la taille maximale de la buse de pulvérisation.

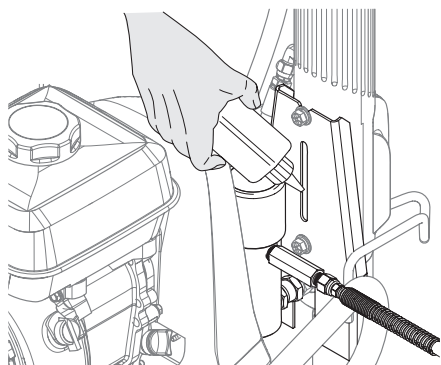
⑦




4. Remplissez la coupelle d'huile à moitié avec de l'huile EasyGlide (n° de pièce 0508619), ceci permet d'accroître la durée de vie de l'équipement.

|   |   |
|---|---|
| <br><b>Attention</b> | <p>EasyGlide empêche l'usure prématurée des garnitures.</p> |
|---|---|


⑧




5. Contrôlez tous les jours le niveau de fluide avant de lancer l'appareil. Le niveau de fluide hydraulique devrait toucher le bas de la jauge. Consultez les directives d'entretien du système hydraulique à la section Entretien du présent manuel.

|   |  |
|---|--|
| <br><b>Attention</b> | <p>Dans le système hydraulique, vous devez impérativement employer un liquide hydraulique approuvé par Wagner (n° de pièce 0555425). N'utilisez aucun autre liquide hydraulique, il pourrait gravement endommager le circuit hydraulique et annuler la garantie.</p> |
|---|--|

6. Modèles du moteur à essence - Contrôlez tous les jours le niveau d'huile dans le réservoir avant de démarrer l'appareil. Le niveau d'huile du moteur à essence est déterminé par le fabricant du moteur. Consultez le manuel d'entretien du fabricant du moteur fourni avec ce modèle.
7. Dans le cas des modèles électriques, utilisez une prise de courant de 15 ampères. Placez toujours le modèle électrique de 3 à 4,5 mètres de la prise de courant. Servez-vous d'un câble électrique court et d'un long tuyau de pulvérisation. L'ajout d'une rallonge électrique diminuera la tension. Si une rallonge est nécessaire, utilisez uniquement une rallonge mise à la terre à trois fils no 12.
8. Vérifiez que l'appareil est bien relié à la terre. Tous les modèles sont équipés d'un œillet de mise à la terre. Un câble de mise à la terre doit être utilisé pour relier l'appareil à la terre. Vérifiez les réglementations locales sur l'électricité pour obtenir des consignes détaillées de mise à la terre.

|   |  |
|---|--|
|  | <p>Il est important de correctement relier l'appareil à la terre. Ceci vaut aussi bien pour les modèles à essence que les modèles électriques. Le passage de certains matériaux dans le tuyau en nylon produit une charge électrique statique qui peut enflammer les vapeurs de solvant lorsqu'elle est déchargée et peut créer une explosion.</p> |
|---|--|

9. Filtrez toutes les peintures avec un filtre en nylon pour un fonctionnement sans problème et pour éviter d'avoir à nettoyer fréquemment le filtre interne et le filtre du pistolet.
10. Vérifiez que la zone de vaporisation est bien ventilée pour empêcher tout fonctionnement dangereux avec des solvants volatiles ou des fumées d'échappement.

|   |  |
|---|--|
|  | <p>Si vous devez pulvériser du vernis-laque ou d'autres produits inflammables, placez TOUJOURS le pulvérisateur à l'extérieur de l'aire de pulvérisation, sinon, cela pourrait causer une explosion.</p> |
|---|--|

11. Placez le pulvérisateur à l'extérieur de l'aire de pulvérisation afin d'éviter l'obstruction de la prise d'air du moteur ou la surpulvérisation.



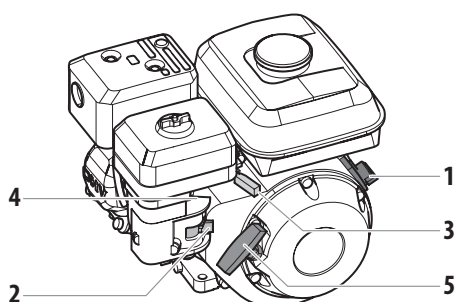
## 4.2 DÉMARRAGE DU MOTEUR (MOTEUR À ESSENCE)



Suivez ces consignes chaque fois que c'est indiqué dans le manuel pour démarrer le moteur.

1. Placez la manette de vanne de carburant (fig. 9, pos. 2) en position ouverte,
2. Placez le levier de papillon d'accélération (3) au milieu.
3. Placez le levier d'étranglement (4) en position fermée pour un moteur froid ou en position ouverte pour un moteur chaud.
4. Mettez la clé de contact (1) sur ON.
5. Tirez fermement sur la corde du démarreur (5) jusqu'à ce que le moteur démarre.

⑨



Si le levier d'étrangleur (4) a été mis en position fermée pour démarrer le moteur, il doit être déplacé à nouveau lorsque le moteur est en marche.

## 4.3 PRÉPARATION D'UN NOUVEAU VAPORISATEUR



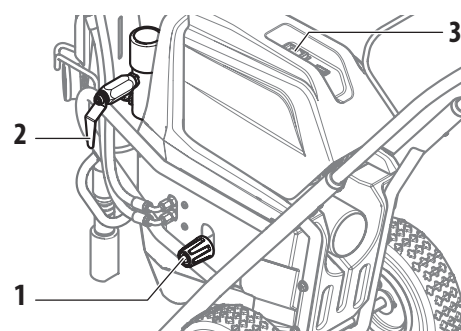
S'il s'agit d'un nouvel appareil, il est livré avec du liquide de test dans la section des liquides pour éviter la corrosion durant le transport et le stockage. Ce fluide doit être soigneusement vidangé du circuit à l'aide un produit de nettoyage approprié avant de commencer à vaporiser.



Verrouillez toujours la gâchette sur le pistolet vaporisateur pendant la préparation du circuit. Consultez les consignes du verrou de détente du mode d'emploi du pistolet de pulvérisation.



1. Placez le tuyau du siphon dans un conteneur un produit de nettoyage approprié.
2. Placez le tuyau de décharge dans un conteneur de déchets en métal.
3. Réglez la pression au minimum en tournant au maximum le bouton de réglage de pression (fig. 10, pos. 1) dans le sens inverse des aiguilles d'une montre.
4. Ouvrez la soupape de décharge (2) en la tournant complètement dans le sens inverse des aiguilles d'une montre.

⑩

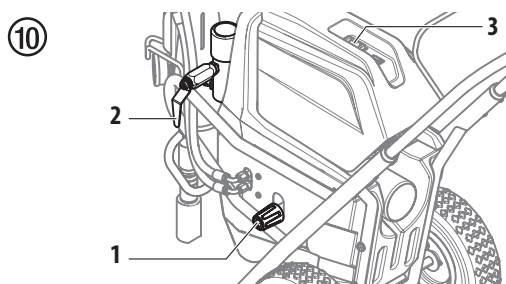


5. Démarrer le moteur à essence ou moteur électrique.
  - a. Pour démarrer le moteur à essence, suivez les étapes à la section 4.2.
  - b. Pour démarrer le moteur électrique, poussez et maintenez l'interrupteur à la position ON (3) (en marche) jusqu'à ce que le moteur électrique fonctionne à pleine vitesse, ensuite relâchez l'interrupteur.
6. Tournez le bouton de réglage de pression dans le sens des aiguilles d'une montre et vers le bas d'1/3 environ pour accroître la pression jusqu'à ce que les cycles de vaporisation soient réguliers et que le solvant s'écoule sans problème du tuyau de décharge.
7. Laissez le vaporisateur tourner pendant 15 à 30 secondes pour vidanger le liquide de test du tuyau de vidange vers le conteneur de déchets.
8. Éteignez l'appareil.
  - a. Pour éteindre le moteur à essence :
    - réglez la pression au minimum en tournant au maximum le bouton de réglage de pression dans le sens inverse des aiguilles d'une montre,
    - placez le levier de papillon d'accélération en position lente, et
    - tournez l'interrupteur du moteur sur OFF.
  - b. Afin d'éteindre le moteur électrique,
    - réglez la pression au minimum en tournant au maximum le bouton de réglage de pression dans le sens inverse des aiguilles d'une montre,
    - déplacez l'interrupteur pour qu'il soit en position ARRÊT.

#### 4.4 PRÉPARATION AVANT DE PEINDRE


|  |   |
|--|---|
|               | <p>Avant de peindre, il est important de s'assurer que le liquide du circuit est compatible avec la peinture qui va être utilisée.</p> <p>Les liquides et peintures incompatibles peuvent boucher les soupapes et obliger l'utilisateur à démonter et nettoyer la section des liquides du vaporisateur.</p> |
| <br>Attention | <p>Verrouillez toujours la gâchette sur le pistolet vaporisateur pendant la préparation du circuit. Consultez les consignes du verrou de détente du mode d'emploi du pistolet de pulvérisation.</p>   |

1. Placez le tuyau du siphon dans un conteneur du solvant approprié.
2. Placez le tuyau de décharge dans un conteneur de déchets en métal.
3. Réglez la pression au minimum en tournant au maximum le bouton de réglage de pression (fig. 10, pos. 1) dans le sens inverse des aiguilles d'une montre.
4. Ouvrez la soupape de décharge (2) en la tournant complètement dans le sens inverse des aiguilles d'une montre.




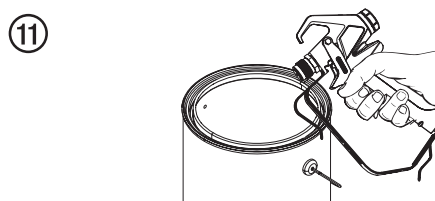
5. Démarrer le moteur à essence ou moteur électrique.
  - a. Pour démarrer le moteur à essence, suivez les étapes à la section 4.2.
  - b. Pour démarrer le moteur électrique, poussez et maintenez l'interrupteur à la position ON (3) (en marche) jusqu'à ce que le moteur électrique fonctionne à pleine vitesse, ensuite relâchez l'interrupteur.
6. Tournez le bouton de réglage de pression dans le sens des aiguilles d'une montre et vers le bas d'1/3 environ pour accroître la pression jusqu'à ce que les cycles de vaporisation soient réguliers et que le solvant s'écoule sans problème du tuyau de décharge.
7. Laissez le vaporisateur tourner pendant 15 à 30 secondes pour vidanger le liquide de test du tuyau de vidange vers le conteneur de déchets.
8. Éteignez l'appareil.
  - a. Pour éteindre le moteur à essence :
    - réglez la pression au minimum en tournant au maximum le bouton de réglage de pression dans le sens inverse des aiguilles d'une montre,
    - placez le levier de papillon d'accélération en position lente, et

- tournez l'interrupteur du moteur sur OFF.
- b. Afin d'éteindre le moteur électrique,
- réglez la pression au minimum en tournant au maximum le bouton de réglage de pression dans le sens inverse des aiguilles d'une montre,
- déplacez l'interrupteur pour qu'il soit en position ARRÊT.


|   |   |
|---|---|
|  | <p>Assurez-vous qu'aucun embout ou protecteur d'embout n'est installé sur le pistolet vaporisateur.</p> |
|---|---|

9. Fermez la soupape de décharge en la tournant complètement dans le sens des aiguilles d'une montre.
10. Démarrer le moteur à essence ou moteur électrique.
11. Tournez le bouton de réglage de pression dans le sens des aiguilles d'une montre et vers le bas d'1/3 environ pour accroître la pression.
12. Débloquez le pistolet en faisant passer la gâchette du pistolet vers la position de déblocage.

|   |   |
|---|---|
|  | <p>Reliez le pistolet à la terre en le maintenant contre le bord du conteneur en métal lors du rinçage. Si cette précaution n'est pas respectée, il peut se former une décharge électrique statique pouvant à son tour provoquer un incendie.</p> |
|---|---|



13. Déclenchez le pistolet dans le conteneur de déchets en métal jusqu'à ce que le solvant usagé soit vidangé et que du solvant frais sorte du pistolet.
14. Verrouillez le pistolet en tournant le verrou de la détente à la position verrouillée (consultez le manuel du pistolet de pulvérisation).
15. Augmentez la pression en tournant lentement et au maximum le bouton de réglage de pression dans le sens des aiguilles d'une montre.
16. Vérifiez si le système ne présente pas de fuite. En cas de fuite, suivez la « Procédure de décharge de pression » décrite dans ce manuel avant de serrer les raccords ou les tuyaux.
17. Suivez la « Procédure de décharge de pression » (section 4.6) décrite dans ce manuel avant de passer du solvant à la peinture.

|   |  |
|---|--|
|  | <p>Assurez-vous de bien suivre la Procédure de décharge de pression lorsque vous arrêtez l'appareil pour une raison quelconque, y compris lors de l'entretien ou du réglage d'une pièce du circuit de vaporisation, du remplacement ou du nettoyage des embouts de vaporisation, ou lors de la préparation au nettoyage.</p> |
|---|--|

## 4.5 PEINTURE

1. Placez le tuyau de siphon dans un conteneur de peinture.
2. Placez le tuyau de décharge dans un conteneur de déchets en métal.
3. Réglez la pression au minimum en tournant au maximum le bouton de réglage de pression (fig. 10, pos. 1) dans le sens inverse des aiguilles d'une montre.
4. Ouvrez la soupape de décharge (2) en la tournant complètement dans le sens inverse des aiguilles d'une montre.
5. Démarrer le moteur à essence ou moteur électrique.
  - a. Pour démarrer le moteur à essence, suivez les étapes à la section 4.2.
  - b. Pour démarrer le moteur électrique, poussez et maintenez l'interrupteur à la position ON (3) (en marche) jusqu'à ce que le moteur électrique fonctionne à pleine vitesse, ensuite relâchez l'interrupteur.
6. Tournez le bouton de réglage de pression dans le sens des aiguilles d'une montre et vers le bas d'1/3 environ pour accroître la pression jusqu'à ce que les cycles de vaporisation soient réguliers et que la peinture s'écoule sans problème du tuyau de décharge.
7. Éteignez l'appareil.
  - a. Pour éteindre le moteur à essence :
    - réglez la pression au minimum en tournant au maximum le bouton de réglage de pression dans le sens inverse des aiguilles d'une montre,
    - placez le levier de papillon d'accélération en position lente, et
    - tournez l'interrupteur du moteur sur OFF.
  - b. Afin d'éteindre le moteur électrique,
    - réglez la pression au minimum en tournant au maximum le bouton de réglage de pression dans le sens inverse des aiguilles d'une montre,
    - déplacez l'interrupteur pour qu'il soit en position ARRÊT.
8. Démontez le tuyau de purge du conteneur de déchets et placez-le dans le conteneur de peinture.
9. Fermez la vanne de purge en la tournant au maximum, dans le sens des aiguilles d'une montre.
10. Démarrer le moteur à essence ou moteur électrique.
11. Tournez le bouton de réglage de pression dans le sens des aiguilles d'une montre et vers le bas d'1/3 environ pour accroître la pression.
12. Débloquez le pistolet en faisant passer la gâchette du pistolet vers la position de déblocage.



Reliez le pistolet à la terre en le maintenant contre le bord du conteneur en métal lors du rinçage. Si cette précaution n'est pas respectée, il peut se former une décharge électrique statique pouvant à son tour provoquer un incendie.

13. Déclenchez le pistolet dans le conteneur de déchets en métal jusqu'à ce que le solvant et l'air soient vidangés et que de la peinture sorte du pistolet.
14. Bloquez le pistolet en faisant passer la gâchette du pistolet vers la position de blocage (fig. 10).
15. Éteignez l'appareil.
16. Fixez la protection d'embout au pistolet comme indiqué sur la protection d'embout ou sur les manuels d'embouts.



**RISQUE ÉVENTUEL D'INJECTION.** Ne vaporisez pas si la protection d'embout n'est pas montée. Ne déclenchez jamais le pistolet si l'embout n'est pas en position de vaporisation ou débouché. Engagez toujours le verrouillage de la gâchette du pistolet avant de démonter, de remplacer ou de nettoyer l'embout.

17. Démarrer le moteur à essence ou moteur électrique.
18. Augmentez la pression en tournant lentement le bouton de réglage de la pression dans le sens des aiguilles d'une montre et testez la forme de vaporisation sur un bout de carton. Ajustez le bouton de réglage de pression jusqu'à ce que le pistolet soit complètement atomisé.



Si vous augmentez la pression au-delà de la pression nécessaire pour atomiser la peinture, vous pouvez provoquer une usure prématurée des embouts et une vaporisation excessive.

## 4.6 PROCÉDURE DE DÉCHARGE DE PRESSION



Assurez-vous de bien suivre la procédure de décharge de pression lorsque vous arrêtez l'appareil pour une raison quelconque, y compris lors de l'entretien ou du réglage d'une pièce du circuit de vaporisation, du remplacement ou du nettoyage des embouts de vaporisation ou lors de la préparation au nettoyage.

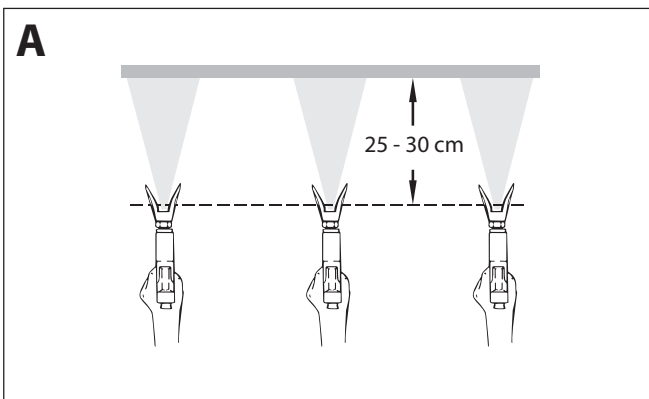
1. Bloquez le pistolet en faisant passer la gâchette du pistolet vers la position de blocage.
2. Éteignez l'appareil.
  - a. Pour éteindre le moteur à essence :
    - réglez la pression au minimum en tournant au maximum le bouton de réglage de pression dans le sens inverse des aiguilles d'une montre,
    - placez le levier de papillon d'accélération en position lente,
    - tournez l'interrupteur du moteur sur OFF.
  - b. Afin d'éteindre le moteur électrique,
    - réglez la pression au minimum en tournant au maximum le bouton de réglage de pression dans le sens inverse des aiguilles d'une montre,
    - déplacez l'interrupteur pour qu'il soit en position ARRÊT.
3. Débloquez le pistolet en faisant passer la gâchette du pistolet vers la position de déblocage (consultez le manuel du pistolet de pulvérisation).
4. Maintenez fermement la partie métallique du pistolet contre un conteneur de déchets en métal pour décharger l'électricité statique du pistolet.
5. Enclenchez le pistolet pour éliminer toute pression résiduelle dans le tuyau.
6. Bloquez le pistolet en faisant passer la gâchette du pistolet vers la position de blocage.
7. Placez le tuyau de décharge dans un conteneur de déchets en métal.
8. Ouvrez la vanne de purge en la tournant au maximum dans le sens contraire des aiguilles d'une montre.

## 5 PULVÉRISATION



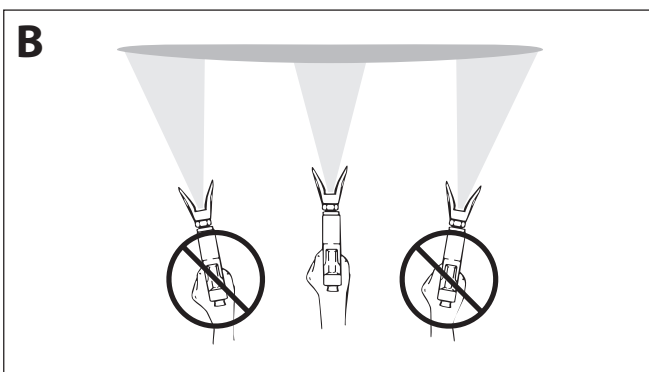
Risque d'injection. Ne pulvérisez pas sans avoir installé au préalable le protège-embout. N'appuyez JAMAIS sur la gâchette du pistolet si l'embout n'est pas sur la position de pulvérisation ou de débouchage. Bloquez toujours la gâchette du pistolet avant d'enlever, de remplacer ou de nettoyer l'embout.

- A)** Le secret pour réaliser un bon travail de peinture est d'appliquer une couche homogène sur toute la surface. Déplacez votre bras à une vitesse constante et maintenez le pistolet de pulvérisation à une distance régulière de la surface. La meilleure distance de pulvérisation entre l'embout et la surface est de 25-30 cm.

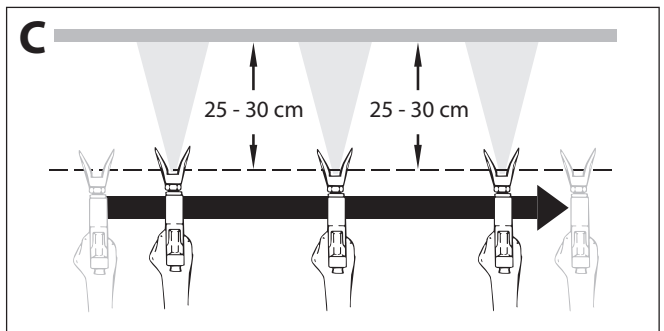


- B)** Maintenez le pistolet de pulvérisation à angle droit par rapport à la surface. Pour ce faire, vous devez faire des allers-retours avec tout le bras au lieu de simplement plier le poignet.

Maintenez le pistolet de pulvérisation perpendiculaire à la surface pour que la couche ne soit pas plus épaisse d'un côté que de l'autre.



- C)** Actionnez le pistolet après avoir commencé le passage. Relâchez la gâchette avant la fin du passage. Le pistolet pulvérisateur doit être en mouvement au moment d'appuyer sur la gâchette ou de la relâcher. Faites chevaucher les passages sur environ 30 %, pour garantir une couche uniforme.



Si les bords de projection sont trop nets ou s'il y a des bandes dans le jet, il faut soit augmenter la pression de projection soit diluer davantage le produit.

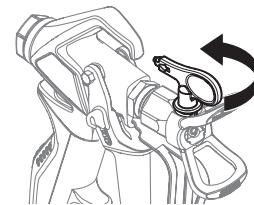
### 5.1 NETTOYAGE D'UNE BUSE OBSTRUÉE



Si la répartition de la pulvérisation devient déformée ou s'arrête complètement en appuyant sur la détente, suivre les étapes ci-dessous.

1. Ouvrir la vanne de décharge à la position PRIME (↻ circulation).
2. Si la buse est obstruée, faites tourner la poignée de la buse à 180° jusqu'à ce que la flèche figurant sur la poignée indique l'opposé de la direction de pulvérisation et que la poignée s'enclenche en position inversée (fig. 12).
3. Fermer la vanne de décharge, position SPRAY (➤ projection).

11





4. Appuyez une fois sur la détente du pistolet pour que la pression débouche la buse. N'appuyez JAMAIS deux fois de suite sur la détente lorsque la buse est dans la position inversée. Cette procédure peut être répétée jusqu'à ce que la buse ne soit plus obstruée.





Le flux sortant de la buse de pulvérisation est à très forte pression. Tout contact avec une quelconque partie du corps peut s'avérer dangereux. Ne mettez pas de doigt sur l'embout du pistolet. Ne visez personne avec le pistolet. N'utilisez jamais le pistolet pulvérisateur sans disposer du protège-embout approprié.



## 5.2 INTERRUPTIONS DE TRAVAIL

|   |   |
|---|---|
|  | Suivez ces étapes si vous arrêtez de pulvériser pendant jusqu'à 20 heures. Suivez ces étapes seulement si vous avez utilisé des produits à pulvériser au latex ou à l'eau.  |
|  | Si vous remplacez tout simplement le récipient de produit, tournez le bouton de commande de pression complètement dans le sens contraire des aiguilles d'une montre au minimum avant de changer le récipient de produit.<br><br>Tournez le bouton de commande de pression dans le sens des aiguilles d'une montre à la position précédente lorsque vous êtes prêt à recommencer la pulvérisation. |

1. Suivez la « Procédure de décharge de pression » décrite au paragraphe Fonctionnement de ce manuel (section 4.6).
2. Placez le pistolet de pulvérisation dans un sac en plastique, ou déposez-le dans un seau d'eau.
3. Laissez le tube d'aspiration et le tuyau de retour immergés dans le matériau de revêtement ou immergez-les dans un agent de nettoyage correspondant.
4. Recouvrez le matériau de revêtement de plastique et placez l'appareil dans un endroit frais et ombragé pour empêcher le matériau de s'assécher.

|  |  |
|--|--|
| <br>Attention | Lors de la mise en œuvre de peintures à séchage rapide ou d'un produit à deux composants, rincer sans faute le groupe à l'intérieur du temps d'utilisation avec le produit de nettoyage adéquat. |
|               | Lorsque vous êtes à nouveau prêt à pulvériser, enlevez le plastique du récipient de matériau et redémarrez le pulvérisateur en suivant les étapes décrites à la section 4.4.                     |

## 5.3 MANIPULATION DU FLEXIBLE À HAUTE PRESSION




|   |   |
|---|---|
|  | L'appareil est muni d'un tuyau à haute pression conçu spécialement pour les pompes sans air.                          |
|  | Ne jamais utiliser un flexible défectueux. Danger de blessure!<br>Ne jamais essayer de réparer un flexible endommagé! |

Le tuyau flexible haute pression doit être traité avec soin. Il faut éviter de trop plier le flexible; le plus petit rayon ne doit pas être inférieur à 20 cm.

Protéger le flexible contre le passage de véhicules et éviter le frottement sur des arêtes vives.



Ne jamais tirer sur le flexible à haute pression pour déplacer l'appareil.

Faire attention à ne pas tordre le flexible à haute pression. Cela peut être évité en utilisant un pistolet pulvérisateur de Wagner avec une articulation pivotante et un dévidoir de tuyau.

|   |   |
|---|---|
|  | Pour la manipulation du tuyau flexible haute pression lors de travaux sur un échafaudage, il s'est avéré comme le plus avantageux de toujours laisser le tuyau flexible du côté extérieur de l'échafaudage. |
|  | Le risque d'endommagements s'accroît dans le cas des vieux flexibles à haute pression. Wagner recommande de remplacer le flexible à haute pression au bout de 6 ans.  |
|  | Pour des raisons de fonctionnement, de sécurité et de durée de vie, utiliser exclusivement des tuyaux flexibles à haute pression d'origine de Wagner.   |



## 6 NETTOYAGE


|   |   |
|---|---|
| <br><b>Attention</b> | <p>Le pulvérisateur, le tuyau et le pistolet doivent être soigneusement nettoyés tous les jours après utilisation. Le non-respect de ces consignes peut mener à une agglutination du matériau et donc considérablement endommager la performance de l'appareil.</p>   |
|                      | <p>Lorsque vous utilisez des essences minérales ou tout autre solvant pour nettoyer le vaporisateur, le tuyau ou le pistolet, vaporisez toujours à la pression minimale avec l'embout du pistolet démonté. L'accumulation d'électricité statique peut entraîner un incendie ou une explosion en présence de vapeurs inflammables.</p> |

### 6.1 CONSIGNES SPÉCIALES DE NETTOYAGE LORS DE L'UTILISATION AVEC DES SOLVANTS INFLAMMABLES

- Rincez toujours le pistolet pulvérisateur de préférence à l'extérieur et au moins à une longueur de tuyau de la pompe de pulvérisation.
- Si vous recueillez les solvants vidangés dans un conteneur en métal d'un gallon (environ 3,780 litres), placez celui-ci dans un conteneur vide de 5 gallons (environ 19 litres), puis vidangez les solvants.
- La zone doit être totalement débarrassée de vapeurs inflammables.
- Respectez toutes les consignes de nettoyage.


### 6.2 NETTOYAGE DU PULVÉRISATEUR

1. Suivez la « Procédure de décharge de pression » décrite au paragraphe Fonctionnement de ce manuel (section 4.6).
2. Démontez l'embout du pistolet et la protection d'embout puis procédez au nettoyage en utilisant une brosse et un solvant approprié.
3. Placez le tuyau du siphon dans un conteneur du solvant approprié.


|   |  |
|---|--|
| <br><b>Attention</b> | <p>Utilisez des solvants compatibles lors du nettoyage. Vérifiez auprès du fabricant du liquide le solvant recommandé pour ce liquide.</p> |
|---|--|

4. Placez le tuyau de décharge dans un conteneur de déchets en métal.
5. Réglez la pression au minimum en tournant au maximum le bouton de réglage de pression dans le sens inverse des aiguilles d'une montre.
6. Ouvrez la vanne de purge (3) en la tournant au maximum, dans le sens contraire des aiguilles d'une montre.
7. Démarrer le moteur à essence ou moteur électrique.


8. Laissez le solvant circuler dans l'appareil et vidangez la peinture par le tuyau de purge dans le conteneur de déchets en métal.
9. Arrêter le matériel OFF (ARRET).
10. Fermez la vanne de purge en la tournant au maximum, dans le sens des aiguilles d'une montre.
11. Démarrer le moteur à essence ou moteur électrique.

|   |   |
|---|---|
|  | <p>Reliez le pistolet à la terre en le maintenant contre le bord du conteneur en métal lors du rinçage. Si cette précaution n'est pas respectée, il peut se former une décharge électrique statique pouvant à son tour provoquer un incendie.</p> |
|---|---|



12. Déclenchez le pistolet dans le conteneur de déchets en métal jusqu'à ce que la peinture soit vidangée et que du solvant sorte du pistolet.
13. Continuez à déclencher le pistolet dans le conteneur de déchets en métal jusqu'à ce que le solvant sortant du pistolet soit propre.

|   |   |
|---|---|
|  | <p>Pour un stockage prolongé ou dans des conditions climatiques froides, pompez de l'essence minérale dans tout le circuit.</p> |
|---|---|

14. Suivez la « Procédure de décharge de pression » décrite au paragraphe Fonctionnement de ce manuel.
15. Conservez l'outil dans un endroit sec et propre.

|   |   |
|---|---|
| <br><b>Attention</b> | <p>Ne stockez pas l'appareil sous pression.</p> |
|---|---|

### 6.3 NETTOYAGE EXTÉRIEUR DU GROUPE

|   |  |
|---|--|
|                      | <p>Modèles électriques - Assurez-vous que le cordon d'alimentation est débranché pour éviter un choc électrique.</p>   |
| <br><b>Attention</b> | <p>Danger de court-circuit par la pénétration d'eau!<br/>         Ne jamais utiliser un jet ou de la vapeur sous pression pour le nettoyage.<br/>         Ne pas placer le flexible à haute pression dans du solvant. Essuyer l'extérieur uniquement avec un chiffon imprégné.</p> |

Nettoyer l'extérieur du groupe à l'aide d'un chiffon imbibé du produit de nettoyage adéquat.



## 6.4 NETTOYAGE DE LA CRÉPINE

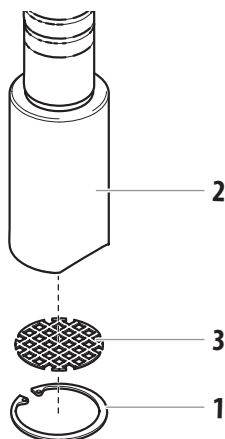


Des filtres propres assurent toujours un débit maximum, une pression de projection constante ainsi qu'un fonctionnement correct du matériel.

### SYSTÈME D'ASPIRATION SUBMERSIBLE

1. La crépine s'obstrue et doit être nettoyée au moins une fois par jour.
2. Retirer l'anneau de retenue (fig. 13, article 1) du logement de clapet de pied (2).
3. Retirer la crépine d'aspiration (3) du logement de clapet de pied (2).
4. Nettoyez-le soigneusement avec le solvant adéquat.

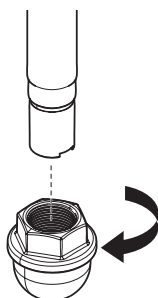
13



### SYSTÈME D'ASPIRATION STANDARD

1. Dévisser la crépine (fig. 14) du tube d'aspiration.
2. Nettoyer ou remplacer la crépine.  
Effectuer le nettoyage à l'aide d'un pinceau dur et d'un produit de nettoyage correspondant.

14



## 6.5 NETTOYAGE DU PISTOLET AIRLESS

1. Rincer le pistolet Airless à faible pression de service avec le produit de nettoyage adéquat.
2. Nettoyer soigneusement la buse avec le produit adéquat de manière à éliminer les restes de produit.
3. Nettoyer soigneusement l'extérieur du pistolet.

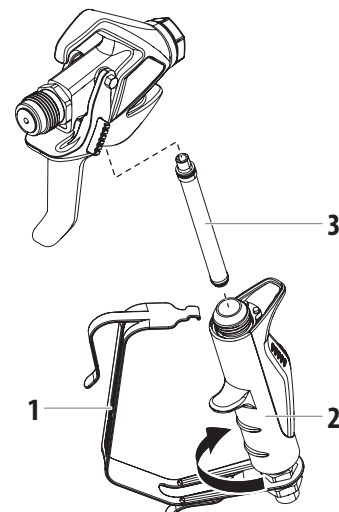


Nettoyez le pistolet de pulvérisation après chaque utilisation.

### TAMIS DE CROSSE DANS LE PISTOLET AIRLESS (FIG. 15)

1. Détachez le dessus du pontet (1) de la tête du pistolet.
2. En se servant de la partie inférieure du pontet comme clé, desserrez et enlevez l'ensemble de la poignée (2) de la tête du pistolet.
3. Extrayez le filtre (3) usagé de la tête du pistolet. Nettoyez ou remplacez.
4. Faites glisser le nouveau filtre, la partie filetée en premier, dans la tête du pistolet.
5. Placez le joint de la poignée dans la tête du pistolet avec la partie plate du joint vers la tête du pistolet. Serrez à l'aide de la clé de la détente.
6. Enclenchez à nouveau le pontet sur la tête du pistolet.

15



## 7 ENTRETIEN



Avant de continuer, suivez la procédure de réduction de pression précédemment exposée dans ce manuel. Respectez également tous les autres avertissements afin de minimiser les risques de blessures dus à des projections ou à des pièces mobiles ou les risques de décharge électrique. Débranchez toujours le pulvérisateur avant de procéder à son entretien !

### 7.1 ENTRETIEN QUOTIDIEN

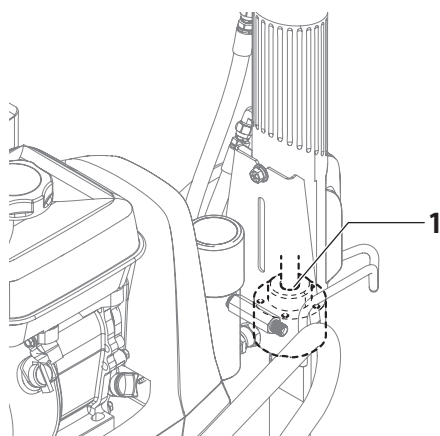
Deux procédures quotidiennes sont requises afin de procéder à l'entretien régulier de ce pulvérisateur.

- A. Lubrification des garnitures supérieures (section 7.2).
- B. Nettoyage de la crépine (section 6.4).

### 7.2 LUBRIFICATION DES GARNITURES SUPÉRIEURES

1. Ôtez la peinture qui a coulé derrière les garnitures supérieures dans le collecteur d'huile (fig. 16, pos. 1) situé au-dessus de la section des liquides.
2. Remplissez le collecteur d'huile à moitié avec de l'huile EasyGlide (n° de pièce 0508619) fournie par le fabricant. Cela permet d'accroître la durée de vie de l'équipement.

16



Ne remplissez pas trop le collecteur d'huile de façon à éviter que l'huile ne déborde et ne se déverse dans la peinture.

### 7.3 ENTRETIEN DU FILTRE



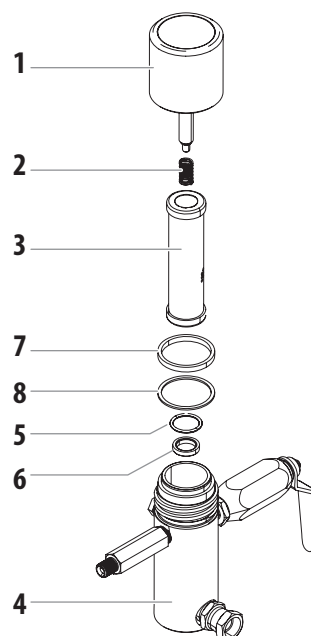
Nettoyez régulièrement le filtre. Les filtres sales ou obstrués peuvent réduire de manière considérable la capacité filtrante de l'appareil et occasionner un certain nombre de problèmes dans le système (faible pulvérisation, buses obstruées, etc).

#### NETTOYAGE (FIG. 17)

Pour nettoyer le filtre, veuillez suivre la procédure qui suit :

1. Suivez la « Procédure de décharge de pression » décrite au paragraphe Fonctionnement du présent manuel.
2. Ôte le bouchon (1) et le ressort (2) du filtre.
3. Ôtez l'élément à bille (3) du filtre par le haut du corps du filtre (4).
4. Nettoyez à l'intérieur du corps du filtre, l'élément à bille et le bouchon au moyen d'un solvant approprié.

17



Manipulez les pièces avec soin car toute impureté, saleté, rayure ou encoche peut empêcher les joints toriques ou les joints d'adhérer.

Cet élément filtre depuis l'intérieur vers l'extérieur. Veillez à nettoyer soigneusement l'intérieur de l'élément du filtre. Trempez-le dans le solvant de manière à ramollir la peinture sèche ou remplacez-le.

**INSPECTION (FIG. 17)**

Inspectez toutes les pièces du filtre avant de le remonter.

1. Inspectez la bille à l'intérieur de l'élément du filtre. Si la bille présente des coupures ou des rayures liées à la pression, remplacez l'élément du filtre.
  - a. Si la bille est coupée, retirez le joint torique en PTFE (5) à l'aide d'un extracteur de joint torique et retirez le siège en carbure (6).
  - b. Vérifiez que le siège ne comporte ni encoches ni rainures. Si le siège est endommagé, remplacez-le.

|          |   |
|----------|---|
| <b>i</b> | Si vous le retirez, le joint torique en PTFE sera endommagé et devra être remplacé. |
|----------|---|

2. Retirez le ressort (2) de son guide situé dans le bouchon du filtre.
  - a. Mesurez la longueur du ressort non comprimé. S'il mesure moins de 1,9 cm (3/4") d'une extrémité à l'autre, remplacez-le.
  - b. Poussez le ressort dans son guide afin qu'il s'enclenche à sa place.
3. Inspectez les deux joints en PTFE (7,8) et le joint torique en PTFE (5) afin de détecter toute éventuelle déformation, encoche ou coupure. Le cas échéant, remplacez-les.

|          |  |
|----------|--|
| <b>i</b> | Les joints en PTFE, le joint torique en PTFE et le ressort sont inclus dans le Kit de maintenance du filtre n° de pièce 930-050. |
|----------|--|

**REMONTAGE (FIG. 16)**


Après avoir nettoyé et inspecté toutes les pièces, rassemblez le filtre.

1. Placez le siège en carbure (6) dans le corps du filtre (4). Assurez-vous que le côté biseauté du siège est dirigé vers le haut.
2. Placez le joint torique en PTFE (5) dans la rainure du diamètre extérieur du siège en carbure (6).
3. Placez l'élément à bille (3) dans le corps du filtre (4).

|          |   |
|----------|---|
| <b>i</b> | Le haut et le bas de l'élément à bille sont identiques. |
|----------|---|

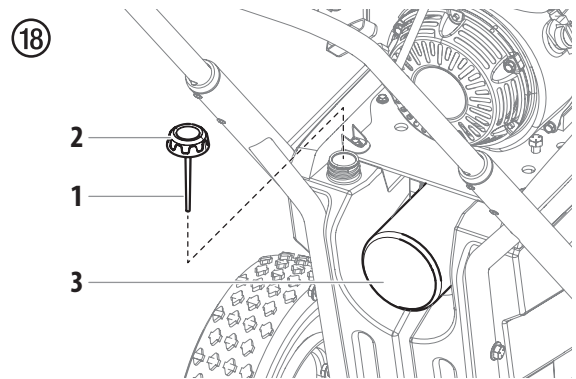
4. Si ce n'est déjà fait, poussez le ressort (2) dans son guide situé dans le bouchon du filtre (1) jusqu'à ce qu'il s'enclenche à sa place.
5. Placez le joint en PTFE (8) fin sur le pas en haut du corps du filtre (4).
6. Placez le joint en PTFE (7) épais sur le joint fin (8).
7. Serrez le bouchon du filtre (1) au corps du filtre (4).

**7.4 ENTRETIEN DU SYSTÈME HYDRAULIQUE**

|   |   |
|---|---|
| <br><b>Attention</b> | Dans le système hydraulique, vous devez impérativement employer un liquide hydraulique approuvé par Wagner (n° de pièce 0555425). N'utilisez aucun autre fluide hydraulique. L'emploi de tout autre fluide hydraulique risque de gravement endommager le système hydraulique et annulera la garantie. |
|---|---|

1. Vérifiez le liquide fluide hydraulique tous les jours. Le niveau de fluide hydraulique devrait toucher le bas de la jauge (1). Si le bout est sec, ajoutez du fluide hydraulique de Wagner (no de pièce 0555425) uniquement. N'ajoutez ni ne changez le fluide hydraulique si vous n'êtes pas dans un lieu propre dénué de poussière. La pollution du fluide hydraulique diminue la durée de vie de la pompe hydraulique et annule la garantie.

|          |  |
|----------|--|
| <b>i</b> | Assurez-vous de placer l'appareil sur une surface plate au moment de vérifier le niveau de fluide hydraulique. |
|----------|--|



2. Changez le fluide hydraulique tous les douze mois. Drainez l'ancien fluide du réservoir et remplissez-le de 5,9 litres de fluide hydraulique. Faites marcher le pulvérisateur à une pression suffisante pour faire fonctionner la section des liquides. Faites tourner le pulvérisateur à basse pression pendant 5 minutes. Cela permet d'évacuer l'air du système. Vérifiez le niveau du fluide au terme de cette procédure. Ne remplissez pas trop le réservoir.

|          |  |
|----------|--|
| <b>i</b> | Lorsque vous remplacez le filtre hydraulique (3) au cours du changement de fluide, il peut s'avérer utile d'ajouter jusqu'à un litre supplémentaire de fluide hydraulique. |
|----------|--|

3. Le système hydraulique est doté d'un filtre hydraulique externe remplaçable. Changez le filtre tous les douze mois.
4. L'entretien de la pompe hydraulique ne doit pas s'effectuer sur place. Si l'entretien de la pompe hydraulique est nécessaire, la pompe doit être retournée à un centre de services Wagner autorisé.



## 7.5 ENTRETIEN DE LA SECTION DES FLUIDES

Si le pulvérisateur doit ne pas être utilisé pendant une longue période, il est conseillé, suite au nettoyage, d'introduire un mélange de kérosène et huile faisant office de conservateur. Les garnitures tendent à sécher lorsqu'elles ne sont pas utilisées. Cela s'applique notamment à l'ensemble des garnitures supérieures pour lesquelles il est recommandé de recourir à EasyGlide (n° de pièce 0508619) pour une utilisation normale.

Si le pulvérisateur n'a pas été utilisé pendant une longue période, il peut s'avérer utile d'amorcer la pompe avec un solvant. Il est extrêmement important que les filets du raccord du tuyau d'aspiration soient correctement fixés. Toute fuite d'air pourrait occasionner un fonctionnement irrégulier du pulvérisateur et pourrait endommager le système. Les courses ascendantes et descendantes doivent être approximativement similaires en terme de temps (l'une ne doit pas être plus rapide que l'autre). Une course ascendante ou descendante trop rapide pourrait indiquer la présence d'air dans le système ou un mauvais fonctionnement de la soupape ou des sièges (reportez-vous à la section consacrée au dépannage).

## 7.6 TUYAU FLEXIBLE HAUTE PRESSION

Contrôler visuellement le tuyau flexible haute pression pour entailles ou bosses éventuellement présentes, en particulier à la transition dans le raccord. Les écrous-raccords doivent pouvoir tourner librement. Une conductibilité inférieure à 1 mégohm doit être présente sur toute la longueur.

|   |   |
|---|---|
| <br><b>Attention</b> | <p>Faire effectuer tous les contrôles électriques par le service après-vente de Wagner.</p>   |
|                      | <p>Le risque d'endommagements s'accroît dans le cas des vieux flexibles à haute pression.<br/>Wagner recommande de remplacer le flexible à haute pression au bout de 6 ans.</p> |

## 7.7 ENTRETIEN DE BASE DU MOTEUR (MOTEUR À ESSENCE)

- Pour obtenir des informations détaillées sur l'entretien du moteur ou des spécifications techniques, reportez-vous au deuxième manuel du moteur à essence.
- Tout entretien du moteur doit être réalisé par un revendeur agréé par le fabricant du moteur.

### TOUS LES JOURS

1. Vérifiez le niveau d'huile du moteur et remplissez le réservoir si besoin est.
2. Vérifiez le niveau d'essence du moteur et remplissez le réservoir si besoin est.



Suivez toujours la procédure de ravitaillement précédemment exposée dans ce manuel.

### LES 20 PREMIÈRES HEURES

- Changez l'huile du moteur.

### TOUTES LES 100 HEURES

- Changez l'huile du moteur.
- Nettoyez le collecteur de dépôt.
- Nettoyez et re-régalez la bougie d'allumage.
- Nettoyez le pare-étincelles.



### TOUTES LES SEMAINES

- Retirez le couvercle du filtre à air et nettoyez l'élément. Dans les environnements très poussiéreux, vérifiez le filtre quotidiennement. Remplacez l'élément le cas échéant. Les pièces de rechange peuvent être achetées auprès de votre revendeur local du fabricant de moteur.

### FONCTIONNEMENT ET ENTRETIEN DU MOTEUR

- Nettoyez les filtres à air et à huile du moteur à essence toutes les 25 heures ou une fois par semaine. Ne laissez pas la peinture ou les saletés s'accumuler sur la grille d'entrée d'air du volant du moteur à essence. Nettoyez-la régulièrement. La durée de vie et l'efficacité du moteur à essence dépend de son bon entretien. Changez l'huile du moteur toutes les 100 heures. Tout manquement à ces consignes peut occasionner une surchauffe du moteur. Consultez le manuel d'entretien qui vous est fourni par le fabricant du moteur.
- Pour économiser de l'essence et accroître la durée de vie et l'efficacité du pulvérisateur, faites fonctionner le moteur à essence au régime moteur le plus bas lui permettant de tourner sans forcer et de fournir la quantité de peinture requise. Un régime moteur plus élevé n'est pas synonyme de pression de travail plus grande. Le moteur à essence est relié à la pompe hydraulique par le biais d'une association de poulies destinées à fournir un maximum de peinture à un régime moteur maximum.
- La garantie sur les moteurs à essence se limite au fabricant d'origine.

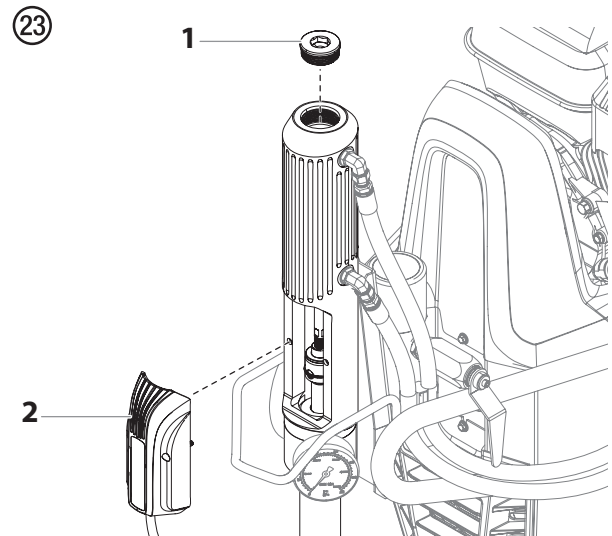
## 7.8 ENTRETIEN DU MOTEUR HYDRAULIQUE

|  |   |
|--|---|
|  <p><b>Attention</b></p> | <p>L'entretien du moteur hydraulique doit uniquement s'opérer dans un lieu propre, dénué de toute poussière. Toute poussière ou particule métallique laissée dans le moteur ou s'y introduisant lors du remontage peut endommager les pièces critiques et affecter la durée de vie et la garantie de l'appareil. Toutes les pièces doivent être inspectées afin d'assurer une propreté absolue.</p> |
|                          | <p>Pour l'entretien du moteur hydraulique, il est recommandé que le piston soit au milieu de sa course. Suivez les étapes ci-dessous.</p>   |


1. Tournez le bouton de commande de pression complètement dans le sens contraire des aiguilles d'une montre au paramètre le plus faible.
2. Avec la section des liquides immergée dans un seau d'eau, démarrez le moteur ou allumez le moteur électrique.
3. Tournez le bouton de commande de pression dans le sens des aiguilles d'une montre de 1 à 2 tours complets.
4. Une fois que la pompe est amorcée, tournez la soupape de sûreté à SPRAY (pulvérisation).
5. En regardant la course du piston par la fenêtre à l'arrière du moteur/de la pompe et en utilisant la plus petite buse disponible (pour la vitesse du piston la plus lente possible), pulvérisez l'eau dans le seau (ou autre récipient à déchets). Arrêtez de pulvériser lorsque le piston est à la position souhaitée.
6. Éteignez le moteur ou le moteur électrique.
7. Continuez en suivant les étapes suivantes.

### DÉMONTAGE DU MOTEUR HYDRAULIQUE

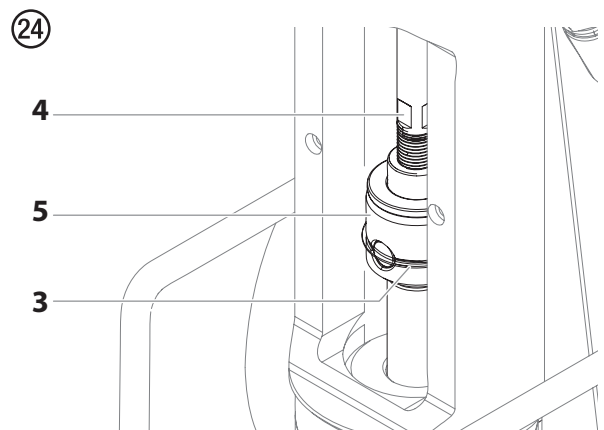
1. À l'aide d'une clé hexagonale, desserrez les vis imperdables qui fixent l'ensemble de la carte PCB (fig. 23, article 1) au vérin du moteur hydraulique. Une fois enlevée, la carte peut pendre de son cordon.
2. Enlevez le bouchon mâle de la culasse (2) du vérin du moteur hydraulique.



3. À l'aide d'une seringue ou d'une éponge, absorbez le fluide hydraulique excédentaire dans la cavité laissée par l'enlèvement de la fiche de la tête du cylindre.
4. Dans la zone d'accès laissée par l'enlèvement de l'ensemble de la carte PCB, situez les côtés plats sur la partie inférieure du piston hydraulique (fig. 24, article 3). Placez une clé sur les côtés plats du piston hydraulique.
5. Glissez l'anneau de retenue (4) sur le coupleur du piston (5) vers le haut pour dégager les trous du coupleur.
6. Insérez soigneusement un tournevis dans un des trous libres du coupleur du piston (5) pour le fixer.

|   |  |
|---|--|
|  | <p>Il se peut que vous deviez tourner l'ensemble du piston hydraulique (4) et le coupleur (5) légèrement avec la clé pour avoir accès à l'un des trous libres.</p> |
|---|--|

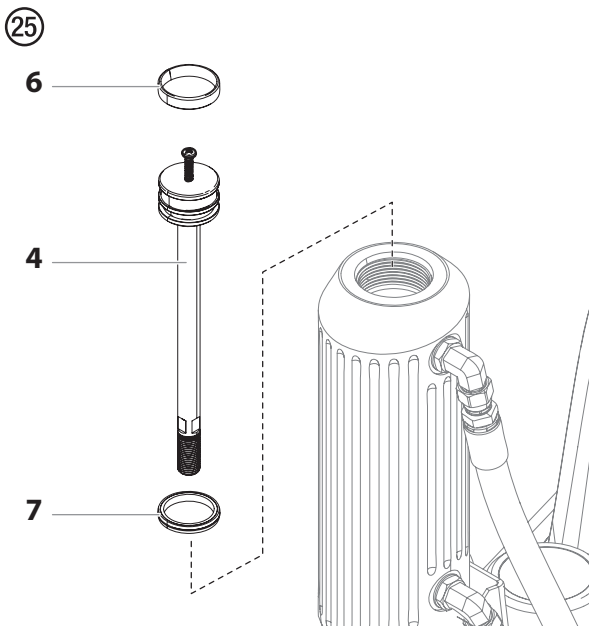
7. Desserrez le piston hydraulique (4) du coupleur (5) à l'aide de la clé sur les côtés plats du piston hydraulique (4).



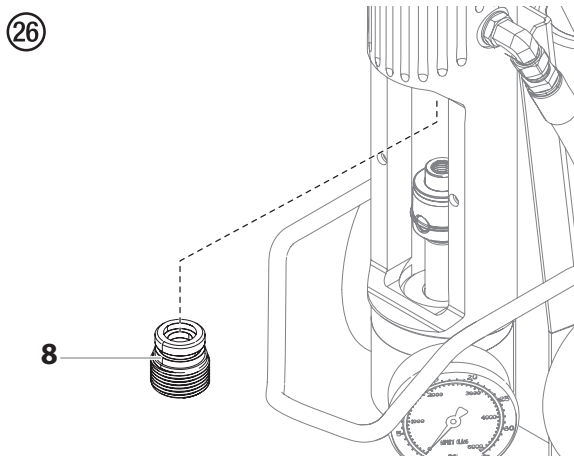


8. Vissez légèrement une vis 1/4 - 20 dans le dessus du piston hydraulique (fig. 25, article 4). À l'aide de la vis, tirez le piston du dessus du vérin du moteur hydraulique.
9. Enlevez soigneusement le joint d'étanchéité (6) et la bague d'usure (7) du piston. Remplacez-les par de nouvelles pièces de la trousse.

**i** Assurez-vous d'enduire le nouveau joint d'étanchéité et la nouvelle bague d'usure d'huile hydraulique avant de les installer.



10. À l'aide d'une clé hexagonale en forme de L, dévissez l'ensemble de la fiche (fig. 26, article 8) de l'intérieur du vérin du moteur hydraulique.



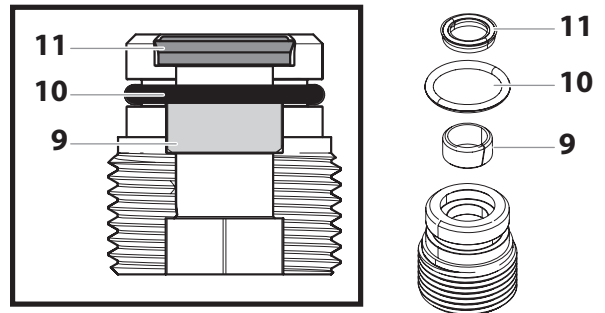
11. Enlevez soigneusement la bague d'usure (fig. 27, article 9), le joint torique (10) et la coupelle d'étanchéité avec un joint torique (11) de la fiche.



Enlevez très soigneusement ces pièces. N'égratignez pas la surface en métal de l'ensemble de la fiche.

12. Trempez les nouvelles pièces de la trousse dans l'huile hydraulique et installez-les sur la fiche.

27



**REMONTAGE DU MOTEUR HYDRAULIQUE**

1. Remplacez l'ensemble de la fiche (8) à l'intérieur du vérin du moteur hydraulique. Serrez-le avec la clé hexagonale en forme de L.

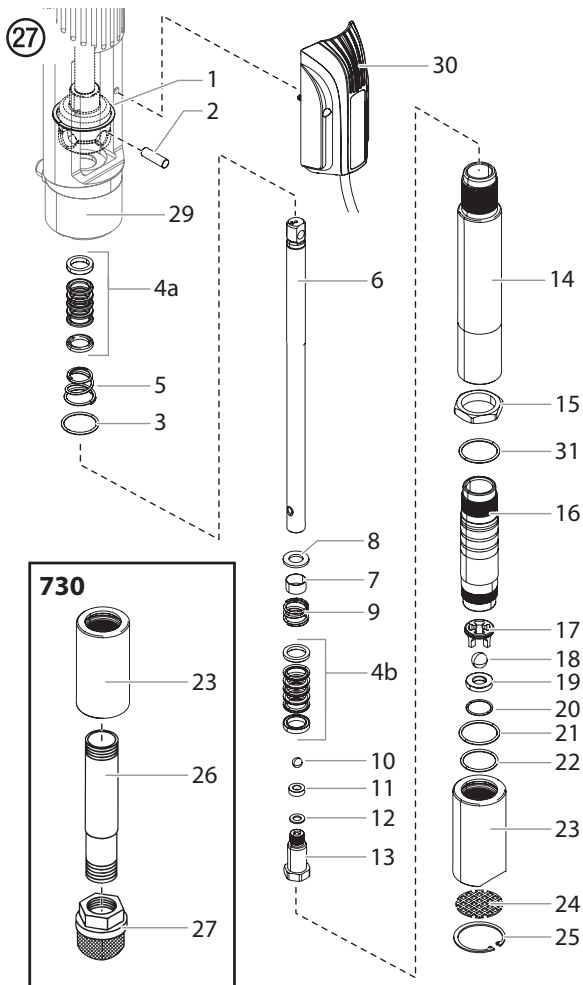
**i** Inspectez le fond du piston hydraulique pour détecter d'éventuelles parties tranchantes qui pourraient endommager le joint d'étanchéité du piston (11) pendant la réinstallation.

2. Remplacez le piston hydraulique (4) sur le dessus du vérin du moteur hydraulique. À l'aide d'un maillet en caoutchouc, tapez soigneusement sur le piston pour l'insérer dans le cylindre jusqu'à ce que les côtés plats soient visibles dans la zone d'accès au-dessus du coupleur du piston (5).
3. Enlevez la vis 1/4 - 20 du dessus de l'ensemble du piston.
4. En utilisant un tournevis dans le trou libre du coupleur du piston (5) et une clé sur les côtés plats du piston hydraulique (4), fixez à nouveau les deux pièces et serrez-les.
5. Glissez en place l'anneau de retenue sur le coupleur.
6. Remplacez la fiche de la tête du cylindre (2).
7. Remplacez l'ensemble de la carte PCB (1).

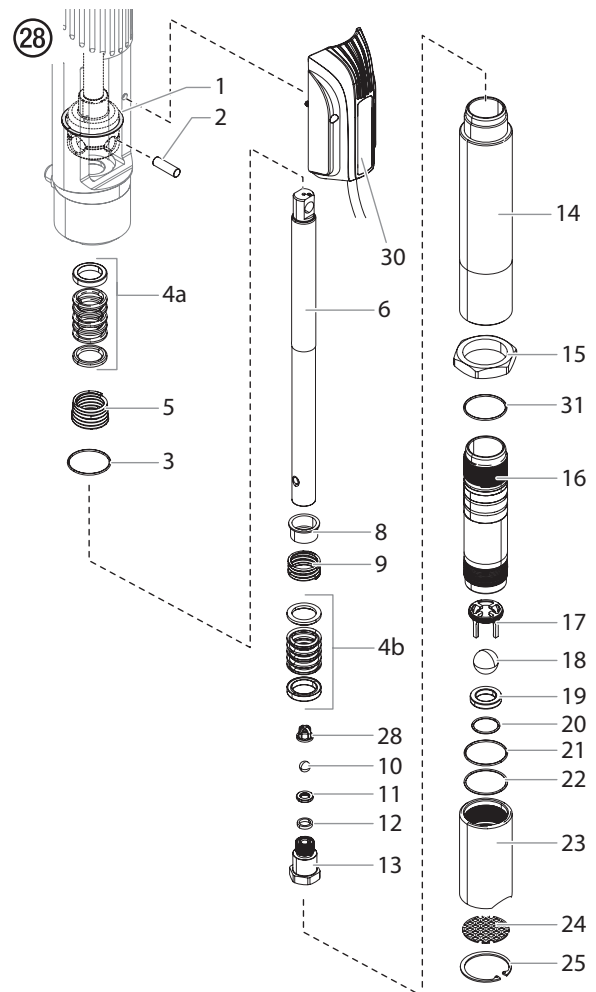
**i** Une fois que la réparation est terminée, démarrez le moteur ou le moteur électrique. Laissez l'appareil fonctionner pendant quelques minutes et arrêtez-le. Vérifiez immédiatement le niveau d'huile hydraulique et remplissez l'appareil, au besoin.

## 7.9 MAINTENANCE DE LA SECTION DES LIQUIDES

### HEAVYCOAT 730



### HEAVYCOAT 750 / HEAVYCOAT 770



Attention

L'utilisation de pièces de rechange autres que celles fournies par Wagner peut entraîner l'annulation de la garantie. Demandez des pièces d'origine de Wagner pour une meilleure maintenance. Ces pompes doivent être régulièrement entretenues après 1 000 heures d'utilisation environ. Un entretien précoce est nécessaire s'il y a des fuites importantes dans la garniture supérieure ou si la course ascendante ou descendante de la pompe devient trop rapide. L'utilisation du lubrifiant EasyGlide de Wagner (n° de pièce 0508619) est conseillée pour lubrifier la garniture supérieure. Ne remplacez pas ce lubrifiant par de l'huile, de l'eau ou un solvant pour lubrifier la garniture supérieure.

### DÉMONTAGE DE LA SECTION DES LIQUIDES

1. À l'aide d'une clé hexagonale, desserrez les vis imperdables qui fixent l'ensemble de la carte PCB (fig. 27, article 30) au vérin du moteur hydraulique. Une fois enlevée, la carte peut pendre de son cordon.
2. Faites glisser la bague de retenue (1) vers le haut au moyen d'un petit tournevis puis extrayez la goupille de connexion (2).
3. **HeavyCoat 730** - Enlevez le tube-siphon (26).
4. Tournez l'écrou d'enlèvement (15) de la section des liquides dans le sens contraire des aiguilles d'une montre afin qu'il atteigne son point le plus bas sur le filetage du vérin (16).
5. Placez une clé sur les côtés plats de l'écrou d'enlèvement de la section des liquides (15). Tournez la clé dans le sens contraire des aiguilles d'une montre pour desserrer l'ensemble de la section des liquides.
6. Tirez soigneusement la section des liquides vers le bas pour enlever le moteur hydraulique.
7. Pour procéder à l'entretien de la section des liquides, stabilisez-la en plaçant les côtés plats de l'écrou d'enlèvement de la section des liquides (15) dans un étau.
8. Dévissez le logement du clapet de pied (23) avec une clé à sangle.
9. Retirez le ressort de garniture supérieure (5) et la garniture supérieure (4a) du bloc moteur/pompe.

10. Placez une clé sur les côtés plats sur le dessus de la tige de déplacement (6). À l'aide d'une seconde clé, desserrez et enlevez le logement de la soupape de sortie (13) de la tige de déplacement (6).
11. Enlevez la rondelle d'étanchéité (12), le siège de la soupape de sortie (11), la bille de la soupape de sortie (10), la cage de la soupape de sortie (28, HeavyCoat 750 / HeavyCoat 770 uniquement), la garniture inférieure (4b), le ressort de garniture inférieure (9) et la bague de retenue du ressort (8).
12. À l'aide d'une rallonge de 1,25 cm fixée à une clé à cliquet de 1,25 cm, insérez le bout de la rallonge dans l'ouverture carrée de la cage du clapet de pied (17) à l'intérieur du logement du clapet de pied (23). Dévissez et enlevez la cage du clapet de pied du logement du clapet de pied.
13. Retirez le joint torique en PTFE (22), la bille du clapet de pied (18), le siège du clapet de pied (19) et le joint torique du siège (20) du logement du clapet de pied (23).
14. Retirez le joint torique (21) du cylindre de la pompe (16).

soupape de sortie (28, HeavyCoat 750 / 770 uniquement), la bille de la soupape de sortie (10), le siège, qu'il soit nouveau ou retourné (côté usé le plus éloigné de la bille) et une nouvelle rondelle d'étanchéité (12) dans la tige de déplacement (6).

7. Nettoyez les filetages du logement de la soupape de sortie (13) et enduisez les filetages de Loctite bleue n° 242. Assurez-vous qu'il n'y a pas de Loctite ailleurs que sur les filetages.
8. Placez le ressort de garniture inférieure (9) sur le logement de soupape de sortie (13), puis et la bague de retenue du ressort (8).
9. Vissez la tige de déplacement (6) et le logement de la soupape de sortie (13) ensemble. Vissez dans un étau à 50 pi/lbs. (68 Nm).
10. Insérez le joint torique en PTFE (3) dans la rainure supérieure du bloc moteur/pompe.
11. Insérez la garniture supérieure (4a) dans le bloc moteur/pompe avec la pointe des garnitures en « V » vers le haut en direction du moteur.

## REMONTAGE DE LA SECTION DES LIQUIDES



Utilisez du ruban en PTFE sur tous les raccords de tuyaux filetés.

1. Placez un nouveau joint torique du siège (20) dans la rainure en bas du logement du clapet de pied (23).
2. Vérifiez l'usure du siège du clapet de pied (19). Si un côté est usé, retournez le siège du côté qui n'est pas usé. Si les deux côtés sont usés, installez un nouveau siège. Placez le nouveau siège, ou le siège retourné (côté usé vers le bas) dans l'alésage au bas du logement du clapet de pied (23).
3. Placez une nouvelle bille de clapet de pied (18) sur le siège du clapet de pied (19). À l'aide d'une barre d'extension 1/2" attachée à un cliquet guide 1/2", insérez l'extrémité de la barre d'extension dans l'ouverture carrée de la cage du clapet de pied (17) et vissez la cage du clapet de pied à l'intérieur du logement du clapet de pied (23). Serrez la cage à 240 po/lbs (20 pi./lbs.).
4. Insérez un nouveau joint torique en PTFE (22) dans la rainure du logement du clapet de pied (23). Lubrifiez le joint torique avec de l'huile ou de la graisse.
5. Après avoir trempé les garnitures en cuir dans l'huile (huile de lin de préférence), rassemblez la garniture inférieure (4b). Placez la garniture inférieure sur le logement de la soupape de sortie (13) avec la pointe des garnitures en « V » vers le bas, en direction de l'hexagonal du logement de la soupape de sortie.



Toutes les garnitures en cuir doivent être trempées dans de l'huile pendant 15 à 20 minutes avant d'être installées. Tremper les garnitures trop longtemps causera le gonflement des garnitures. Le remontage sera par conséquent plus difficile.



Les garnitures doivent être trempées dans l'huile avant d'être installées.

12. Placez le ressort de garniture supérieure (5) dans le bloc moteur/pompe avec la petite extrémité conique vers le haut, en direction du bloc moteur/pompe.
13. Insérez la tige de déplacement (6) par les garnitures supérieures du bloc moteur/pompe.
14. Alignez les trous dans la tige de déplacement (6) et la tige du piston hydraulique puis insérez la goupille de connexion (2). Remplacez la bague de retenue (1) sur la goupille de connexion.
15. HeavyCoat 730 - Vissez le filetage long du cylindre de la pompe (16) dans le moteur/groupe de pompage et serrez-le avec une clé à sangle.
16. Vissez le filetage mâle de l'entretoise du cylindre (14) dans le moteur/groupe de pompage et serrez-le avec une clé à sangle. Vissez le filetage long du cylindre de la pompe (16) dans l'entretoise du cylindre (14) et serrez-le avec une clé à sangle.
17. Placez le joint torique (21) dans la rainure supérieure du cylindre de la pompe (16).
18. Vissez le logement du clapet de pied (23) sur le cylindre de la pompe (16), serrez avec une clé à sangle.
19. **HeavyCoat 730** - Installer le tube-siphon (26).



Il n'est pas nécessaire de trop visser le logement du clapet de pied. Les joints toriques servent de joints sans serrage excessif. Il suffit d'engager totalement le filetage.

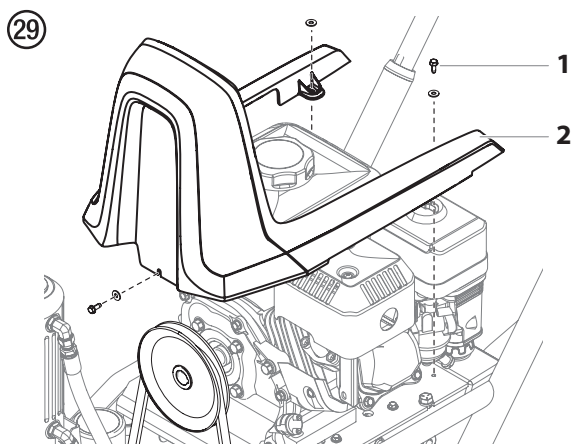
**HeavyCoat 730** - Pour fixer le tube du siphon, il est très important que les filetages du tube du siphon pénètrent facilement dans le logement du clapet de pied avec les raccords du tube en PTFE équipés et recouverts de mastic d'étanchéité pour empêcher toute fuite d'air.

6. Vérifiez l'usure du siège de la soupape de sortie (11). Si un côté est usé, tournez le siège du côté qui n'est pas usé. Si les deux côtés sont usés, utilisez un nouveau siège. Insérez la cage de

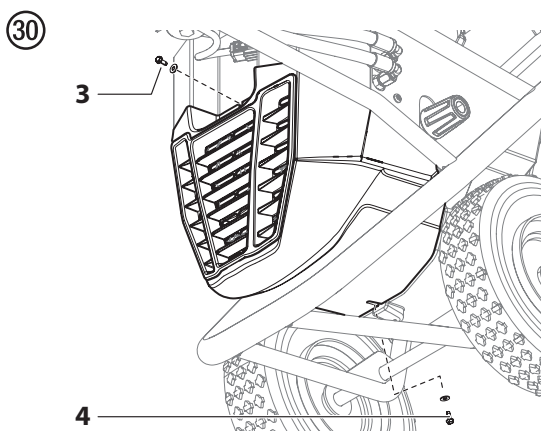
## 7.10 REMPLACEMENT DE LA COURROIE

|  |   |
|--|---|
|  | Avant de remplacer la courroie de votre appareil, assurez-vous d'avoir suivi la procédure de décompression illustrée dans la section Fonctionnement du présent manuel. NE tentez PAS d'effectuer cette réparation pendant que l'appareil est en marche.       |
|  | Les images ci-dessous illustrent un appareil muni d'un moteur à essence. Toutes les directives de cette section s'appliquent à la fois aux modèles ayant un moteur à essence et aux modèles ayant un moteur électrique, sauf lorsqu'il est indiqué autrement. |

1. Enlevez les trois vis et rondelles (1) qui fixent le carénage supérieur (2) au châssis. Enlevez le carénage.



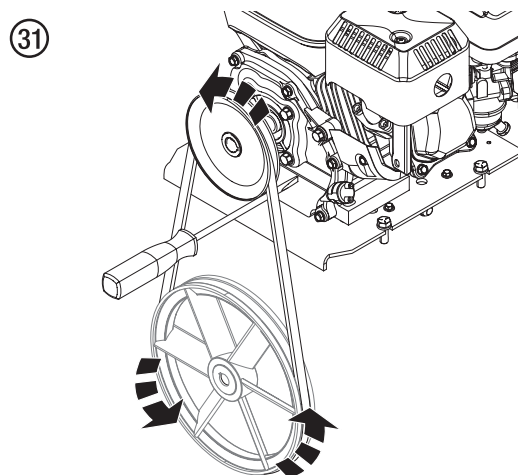
2. Enlevez la vis avant (3) et la vis du bas (4) qui fixe le carénage inférieur à l'appareil principal. Enlevez l'ensemble du carénage.



3. Insérez soigneusement l'extrémité du tournevis entre la courroie et la poulie supérieure tel qu'illustré (fig. 31).

4. Avec le tournevis en place, utilisez l'autre main pour tourner manuellement la courroie et les poulies dans le sens contraire des aiguilles d'une montre. Laissez le tournevis suivre le mouvement de la poulie et forcez la courroie vers l'extérieur en même temps. Continuez de tourner la poulie d'environ 1/2 tour et la courroie s'enlèvera de la poulie supérieure avec l'aide du tournevis.

|  |   |
|--|---|
|  | <p><b>RISQUE DE PINCEMENT.</b> Assurez-vous de garder vos doigts à l'écart de la zone de contact entre le tournevis et la poulie. Ne laissez pas vos doigts s'insérer entre la courroie et la poulie pendant qu'elles tournent.</p> <p><b>DANGER DE BRÛLURE.</b> Assurez-vous de laisser le moteur à essence se refroidir suffisamment avant de le toucher.</p> |
|--|---|



## RÉINSTALLATION

1. Enroulez la nouvelle courroie sur la poulie supérieure jusqu'à ce que la courroie s'insère dans la gorge de poulie.
2. Laissez la courroie pendre de la poulie supérieure. Avec votre main, tenez la courroie en place à la position d'environ 3:00 sur la gorge de la poulie inférieure.
3. Utilisez l'autre main pour tourner manuellement la poulie supérieure dans le sens des aiguilles d'une montre. Laissez la main tenant la courroie de la poulie inférieure suivre le mouvement. Le mouvement de la poulie et le placement de votre main sur la courroie de la poulie inférieure permettront à la courroie de glisser en place sur la poulie inférieure.

|  |  |
|--|--|
|  | Assurez-vous que la courroie n'est pincée ou enroulée en aucune façon. |
|--|--|

4. Inversez les étapes 1 et 2 pour remonter l'appareil.

## 8 DÉPANNAGE

### 8.1 PISTOLET SANS AIR

| PROBLÈME                           | CAUSE  | SOLUTION   |
|------------------------------------|--|--|
| A. Le pistolet projette par erreur | <ol style="list-style-type: none"> <li>1. Présence d'air dans le circuit</li> <li>2. Pistolet sale</li> <li>3. Déréglage de l'aiguille</li> <li>4. Siège de soupape endommagé ou fêlé</li> </ol> | <ol style="list-style-type: none"> <li>1. Inspectez les raccords pour détecter une éventuelle fuite d'air.</li> <li>2. Démontez et nettoyez.</li> <li>3. Inspectez et réglez.</li> <li>4. Inspectez et remplacez.</li> </ol> |
| B. Le pistolet ne s'arrête pas     | <ol style="list-style-type: none"> <li>1. Aiguille &amp; siège endommagés ou usés</li> <li>2. Déréglage de l'aiguille</li> <li>3. Pistolet sale</li> </ol>                                       | <ol style="list-style-type: none"> <li>1. Remplacez.</li> <li>2. Réglez.</li> <li>3. Nettoyez.</li> </ol>  |
| C. Le pistolet ne pulvérise pas    | <ol style="list-style-type: none"> <li>1. Absence de peinture</li> <li>2. Filtre ou embout obstrués</li> <li>3. Aiguille du pistolet endommagée</li> </ol>                                       | <ol style="list-style-type: none"> <li>1. Vérifiez l'alimentation en fluide.</li> <li>2. Nettoyez.</li> <li>3. Remplacez.</li> </ol>   |

### 8.2 SECTION DES LIQUIDES

| PROBLÈME  | CAUSE   | SOLUTION   |
|---|---|--|
| A. La pompe ne libère du produit que lors de la course ascendante ou monte lentement et descend rapidement (généralement appelé plongée descendante). | <ol style="list-style-type: none"> <li>1. La bille du clapet de pied inférieur n'est pas stable à cause des dépôts de déchets ou de l'usure</li> <li>2. Produit trop visqueux pour être aspiré.</li> <li>3. Présence d'une fuite d'air dans le siphon ou tuyau du siphon endommagé. Le siphon peut être trop petit pour les produits denses.</li> </ol> | <ol style="list-style-type: none"> <li>1. Ôtez le clapet de pied. Nettoyez et inspectez. Testez le clapet de pied en le remplissant d'eau ; si la bille tombe pour sceller le siège, remplacez la bille.</li> <li>2. Dilution du produit – contactez le fabricant pour connaître les procédures de dilution appropriées.</li> <li>3. Serrez tous les raccords situés entre la pompe et le réservoir de peinture. S'ils sont endommagés, remplacez-les. Passez à un siphon de diamètre plus large.</li> </ol> |
| B. La pompe ne libère du produit que dans sa course descendante ou monte rapidement et descend lentement.   | <ol style="list-style-type: none"> <li>1. La bille supérieure n'est pas stable à cause des dépôts de déchets ou de l'usure</li> <li>2. La garniture inférieure est usée.</li> </ol>   | <ol style="list-style-type: none"> <li>1. Vérifiez le siège supérieur et la bille avec de l'eau. Si la bille ne scelle pas l'ensemble, remplacez le siège.</li> <li>2. Remplacez l'ensemble des garnitures si elles sont usées.</li> </ol>   |
| C. La pompe monte et descend rapidement, en libérant du produit.  | <ol style="list-style-type: none"> <li>1. Le réservoir de produit est vide ou le produit est trop épais pour s'écouler dans le tuyau du siphon.</li> <li>2. La bille inférieure est collée au siège du clapet de pied.</li> <li>3. Le tuyau du siphon est tordu ou dévissé.</li> </ol>  | <ol style="list-style-type: none"> <li>1. Remplissez de nouveau produit. Si elle est trop épaisse, retirez le tuyau du siphon, immergez la section des liquides dans le produit et amorcez la pompe. Ajoutez du diluant au produit. Installez un siphon plus grand. Ouvrez la soupape de décharge pour évacuer l'air et redémarrez la pompe.</li> <li>2. Ôtez le clapet de pied. Nettoyez la bille et le siège.</li> <li>3. Resserrez.</li> </ol>  |
| D. La pompe monte et descend lentement lorsque le pistolet vaporisateur est éteint.   | <ol style="list-style-type: none"> <li>1. Les raccords sont dévissés. La soupape de décharge est partiellement ouverte ou usée. Le siège des garnitures inférieures est usé.</li> <li>2. La bille supérieure et/ou la bille inférieure ne sont pas stables.</li> </ol>  | <ol style="list-style-type: none"> <li>1. Vérifiez tous les raccords entre la pompe et le pistolet. Resserrez si nécessaire. Si du produit s'écoule du tuyau de décharge, fermez la soupape de décharge ou remplacez-la le cas échéant. Si aucune de ces solutions ne fonctionne, remplacez la garniture inférieure.</li> <li>2. Remettez la bille en place en la nettoyant.</li> </ol>  |
| E. Le pistolet ne dispose pas d'une pression du liquide suffisante.   | <ol style="list-style-type: none"> <li>1. L'embout pulvérisateur est usé.</li> <li>2. Le filtre de sortie ou le filtre du pistolet sont obstrués.</li> <li>3. Tension faible et/ou intensité de courant électrique inappropriée.</li> <li>4. Taille ou longueur du tuyau trop petite ou trop grande.</li> </ol>   | <ol style="list-style-type: none"> <li>1. Remplacez.</li> <li>2. Nettoyez ou remplacez le filtre.</li> <li>3. Vérifiez le circuit électrique. Corrigez si besoin est.</li> <li>4. Augmentez le diamètre du tuyau afin de minimiser la chute de pression le long du tuyau et/ou réduisez la longueur du tuyau.</li> </ol>   |
| F. La pompe broute pendant la course ascendante ou descendante.   | <ol style="list-style-type: none"> <li>1. Le solvant a fait gonfler la garniture supérieure.</li> </ol>   | <ol style="list-style-type: none"> <li>1. Remplacez les garnitures.</li> </ol>   |

### 8.3 MOTEURS HYDRAULIQUES

#### PROBLÈME

A. Le moteur hydraulique cale du bas ou au haut de sa course; pression faible ou intermittente de la pompe; vitesse de course inhabituelle; température élevée de l'huile hydraulique (au-dessus de 93 °C [200 °F]).

#### CAUSE

1. Faible niveau d'huile hydraulique.
2. Le réglage de commande de pression est trop faible.
3. Défaillance de la courroie hydraulique ou de la poulie.
4. Défaillance du piston hydraulique.
5. Piston de la section des liquides lié ou brisé.
6. Défaillance du joint d'étanchéité de la tige de piston hydraulique
7. Défaillance du joint d'étanchéité de la tête de piston hydraulique
8. Autre

#### SOLUTION

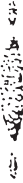
1. Vérifiez le niveau d'huile. Remplissez l'appareil, au besoin. Si le niveau d'huile est à plein, vérifiez le contrôleur.
2. Assurez-vous que le bouton de commande de pression est tourné assez haut pour faire fonctionner le moteur. Si le réglage de commande de pression est bon, vérifiez la courroie et les poulies.
3. Assurez-vous que la clé est présente dans l'arbre de sortie du moteur/moteur électrique et l'arbre d'entrée de la pompe hydraulique. Assurez-vous que la courroie n'est pas brisée et qu'elle est assez tendue. Si la courroie et les poulies sont en bon état, veuillez communiquer avec un centre de service Wagner autorisé.
4. Inspectez visuellement la tige de piston hydraulique pour des signes de fissures. S'il est évident que la tige de piston hydraulique est brisée, enlevez/remplacez le piston hydraulique. Selon l'endroit du bris, il se peut que le coupleur du piston doive également être remplacé. Veuillez visiter un centre de service Wagner autorisé si vous avez besoin d'aide. Si le piston hydraulique n'est pas endommagé, vérifiez si le piston de la section des liquides est lié/brisé.
5. Pour vérifier si le piston de la section des liquides est lié/brisé, découpez le piston hydraulique du piston à peinture en enlevant la goupille de positionnement. Mettez l'appareil en marche. Si le moteur hydraulique fonctionne lorsque le piston hydraulique est découplé du piston à peinture, le problème est sûrement dans la section des liquides. Veuillez vous rendre à un centre de service Wagner autorisé si vous avez besoin d'aide. Si le moteur hydraulique ne fonctionne toujours pas, vérifiez le joint d'étanchéité de la tige de piston hydraulique.
6. Enlevez le bouchon du joint de tige du piston hydraulique qui contient le joint de tige, le joint torique et la bague d'usure de la tige. Vérifiez la présence de dommages et remplacez le joint de tige, le joint torique et la bague d'usure de la tige, au besoin. Si le joint de tige, le joint torique et la bague d'usure de la tige ne sont pas endommagés, vérifiez le joint d'étanchéité de la tête du piston hydraulique.
7. Enlevez le piston hydraulique et inspectez/remplacez le joint d'étanchéité et la bague d'usure de la tête du piston, au besoin. Pendant ce processus, vérifiez la présence de dommages ou d'usure inégale de l'alésage du cylindre. Si l'alésage du cylindre est endommagé, remplacez le groupe de pompe, ainsi que le joint d'étanchéité et la bague d'usure de la tête du piston.
8. Si les problèmes persistent, veuillez visiter un centre de service Wagner reconnu.



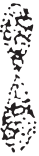
## 8.4 RÉPARTITION DE LA PULVÉRISATION

### PROBLÈME

A. Traînées



B. Sablier



C. Déformation



D. Pulvérisation qui s'étend et se rétracte (surtension)



E. Pulvérisation arrondie



### CAUSE

1. Sortie de liquide incorrecte

1. Sortie de liquide incorrecte

1. L'embout de la buse est obstrué ou usé

1. Fuite d'aspiration  
2. Sortie de liquide par à-coups

1. Embout usé  
2. Liquide trop dense pour l'embout

### SOLUTION

1. Le liquide ne s'atomise pas correctement. Augmentez la pression du liquide. Changez pour un embout au diamètre plus petit. Réduisez la viscosité du liquide. Réduisez la longueur du tuyau. Nettoyez le pistolet et le(s) filtre(s). Réduisez le nombre de pistolets utilisant la pompe.

1. Cf. ci-avant.

1. Nettoyez ou remplacez l'embout.

1. Détectez toute fuite éventuelle du tuyau d'aspiration.  
2. Changez pour un embout au diamètre plus petit. Installez un amortisseur de pulsations dans le circuit ou purgez l'appareil. Réduisez le nombre de pistolets utilisant la pompe. Débloquez le circuit, nettoyez le filtre de l'embout si le filtre est utilisé.

1. Remplacez l'embout.  
2. Augmentez la pression. Diluez le produit. Changez l'embout de la buse.

## 9 ANNEXE

### 9.1 CHOIX DES BUSES

Pour réaliser un travail correct et rationnel, le choix de la buse est de grande importance. Dans beaucoup de cas, la buse correcte ne peut être trouvée que par un essai de projection.

#### QUELQUES RÈGLES À CE SUJET:

Le jet de projection doit être régulier.

Si le jet comporte des bandes, la pression de projection est trop faible ou la viscosité du produit est trop élevée.

**Remède:** Augmenter la pression ou diluer le produit. Chaque pompe a un débit déterminé par rapport à la grandeur de l'orifice de buse.

**Règle générale:** grande buse = faible pression  
petite buse = haute pression

Il existe un grand choix de buses avec angles de projection différents.

### 9.2 ENTRETIEN ET NETTOYAGE DE BUSES AIRLESS EN CARBURE

#### BUSES STANDARD

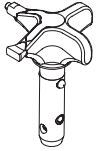
En cas d'utilisation d'une buse différente, la nettoyer en suivant les indications du fabricant.

La buse comporte un orifice usiné avec grande précision. Afin d'obtenir une longue durée de vie il est indispensable de traiter les buses avec grand soin. Il faut savoir que l'insert en carbure est fragile. Pour cette raison il ne faut jamais laisser tomber la buse ni la traiter avec des objets métalliques.

#### Tenir compte des points suivants afin de conserver la propreté et la disponibilité de la buse:

1. Tourner le poignée de la vanne de décharge entièrement vers la gauche (↻ circulation).
2. Arrêter le moteur à essence ou motor électrique.
3. Démonter la buse du pistolet.
4. Mettre la buse dans le diluant approprié jusqu'à dilution complète des restes de produit.
5. Souffler la buse si l'air comprimé est à disposition.
6. Avec un objet pointu en bois (cure-dents) enlever les restes éventuels.
7. Contrôler la buse à l'aide d'une loupe et répéter les pas de 4 à 6 si nécessaire.

**9.3 TABLEAU DES BUSES 2SPEED TIP**



Cette buse airless innovante est composée de 2 noyaux de buse distincts.

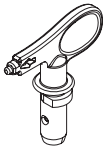


2 Speed Tip support  
**Réf. No. 0271065**

**Tableau des buses**

| Taille de chantiers        | Produits applicables                               |  |  |
|----------------------------|--|--|--|
|                            | Laque (L)  | Peinture (D)                                       | Enduit (S)   |
| Petit                      |  | D5<br>Buse: 111 / 415<br><b>Réf. No. 0271 062</b>  | S5<br>Buse: 225 / 629<br><b>Réf. No. 0271 064</b>  |
|                            |  | D7<br>Buse: 113 / 417<br><b>Réf. No. 0271 063</b>  |  |
|                            | L10<br>Buse: 208 / 510<br><b>Réf. No. 0271 042</b> | D10<br>Buse: 111 / 419<br><b>Réf. No. 0271 045</b> | S10<br>Buse: 527 / 235<br><b>Réf. No. 0271 049</b> |
| Moyen                      | L20<br>Buse: 210 / 512<br><b>Réf. No. 0271 043</b> | D20<br>Buse: 115 / 421<br><b>Réf. No. 0271 046</b> | S20<br>Buse: 539 / 243<br><b>Réf. No. 0271 050</b> |
| Grand                      | L30<br>Buse: 212 / 514<br><b>Réf. No. 0271 044</b> | D30<br>Buse: 115 / 423<br><b>Réf. No. 0271 047</b> | S30<br>Buse: 543 / 252<br><b>Réf. No. 0271 051</b> |
| Très grand                 |  | D40<br>Buse: 117 / 427<br><b>Réf. No. 0271 048</b> |  |
| Tamis de crosse recommandé | <b>rouge</b>                                       | <b>blanc</b>                                       | -  |

## 9.4 TABLEAU DES BUSES AIRLESS



**Wagner  
TradeTip 3 buse**  
jusqu'à 270 bar  
(27 MPa)



sans buse filet F (11/16 - 16  
UN) pour pistolets Wagner  
**Réf. No. 0289391**

sans buse filet G (7/8 - 14 UNF)  
pour pistolets Graco/Titan  
**Réf. No. 0289390**



Toutes les buses indiquées dans le tableau ci-dessous sont fournies avec le filtre à pistolet adéquat.

| Utilisation   | Marquage     | Angle de projection | Orifice inch / mm | Largeur du jet mm <sup>1)</sup> | Tamis de crosse | Réf. No. |
|---|--------------|---------------------|-------------------|---------------------------------|-----------------|----------|
| Laques et peintures diluables à l'eau et à base de solvant, huiles, agents de démoulage | 107          | 10°                 | 0.007 / 0.18      | 100                             | rouge           | 0553107  |
|   | 207          | 20°                 | 0.007 / 0.18      | 120                             | rouge           | 0553207  |
|   | 307          | 30°                 | 0.007 / 0.18      | 150                             | rouge           | 0553307  |
|   | 407          | 40°                 | 0.007 / 0.18      | 190                             | rouge           | 0553407  |
|   | 109          | 10°                 | 0.009 / 0.23      | 100                             | rouge           | 0553109  |
|   | 209          | 20°                 | 0.009 / 0.23      | 120                             | rouge           | 0553209  |
|   | 309          | 30°                 | 0.009 / 0.23      | 150                             | rouge           | 0553309  |
|   | 409          | 40°                 | 0.009 / 0.23      | 190                             | rouge           | 0553409  |
|   | 509          | 50°                 | 0.009 / 0.23      | 225                             | rouge           | 0553509  |
| 609   | 60°          | 0.009 / 0.23        | 270               | rouge                           | 0553609         |          |
| Laques synthétiques   | 111          | 10°                 | 0.011 / 0.28      | 100                             | rouge           | 0553111  |
|   | 211          | 20°                 | 0.011 / 0.28      | 120                             | rouge           | 0553211  |
|   | 311          | 30°                 | 0.011 / 0.28      | 150                             | rouge           | 0553311  |
|   | 411          | 40°                 | 0.011 / 0.28      | 190                             | rouge           | 0553411  |
|   | 511          | 50°                 | 0.011 / 0.28      | 225                             | rouge           | 0553511  |
|   | 611          | 60°                 | 0.011 / 0.28      | 270                             | rouge           | 0553611  |
| Laques, apprêts, couches de fond, bouche-pores  | 113          | 10°                 | 0.013 / 0.33      | 100                             | rouge           | 0553113  |
|   | 213          | 20°                 | 0.013 / 0.33      | 120                             | rouge           | 0553213  |
|   | 313          | 30°                 | 0.013 / 0.33      | 150                             | rouge           | 0553313  |
|   | 413          | 40°                 | 0.013 / 0.33      | 190                             | rouge           | 0553413  |
|   | 513          | 50°                 | 0.013 / 0.33      | 225                             | rouge           | 0553513  |
|   | 613          | 60°                 | 0.013 / 0.33      | 270                             | rouge           | 0553613  |
|   | 813          | 80°                 | 0.013 / 0.33      | 330                             | rouge           | 0553813  |
| Bouche-pores, anti-rouilles   | 115          | 10°                 | 0.015 / 0.38      | 100                             | jaune           | 0553115  |
|   | 215          | 20°                 | 0.015 / 0.38      | 120                             | jaune           | 0553215  |
|   | 315          | 30°                 | 0.015 / 0.38      | 150                             | jaune           | 0553315  |
|   | 415          | 40°                 | 0.015 / 0.38      | 190                             | jaune           | 0553415  |
|   | 515          | 50°                 | 0.015 / 0.38      | 225                             | jaune           | 0553515  |
|   | 615          | 60°                 | 0.015 / 0.38      | 270                             | jaune           | 0553615  |
|   | 715          | 70°                 | 0.015 / 0.38      | 300                             | jaune           | 0553715  |
|   | 815          | 80°                 | 0.015 / 0.38      | 330                             | jaune           | 0553815  |
| anti-rouilles, peintures latex peintures à dispersion                                   | 117          | 10°                 | 0.017 / 0.43      | 100                             | blanc           | 0553117  |
|   | 217          | 20°                 | 0.017 / 0.43      | 120                             | blanc           | 0553217  |
|   | 317          | 30°                 | 0.017 / 0.43      | 150                             | blanc           | 0553317  |
|   | 417          | 40°                 | 0.017 / 0.43      | 190                             | blanc           | 0553417  |
|   | 517          | 50°                 | 0.017 / 0.43      | 225                             | blanc           | 0553517  |
|   | 617          | 60°                 | 0.017 / 0.43      | 270                             | blanc           | 0553617  |
|   | 717          | 70°                 | 0.017 / 0.43      | 300                             | blanc           | 0553717  |
|   | 817          | 80°                 | 0.017 / 0.43      | 330                             | blanc           | 0553817  |
| anti-rouilles, peintures latex peintures à dispersion                                   | 219          | 20°                 | 0.019 / 0.48      | 120                             | blanc           | 0553219  |
|   | 319          | 30°                 | 0.019 / 0.48      | 150                             | blanc           | 0553319  |
|   | 419          | 40°                 | 0.019 / 0.48      | 190                             | blanc           | 0553419  |
|   | 519          | 50°                 | 0.019 / 0.48      | 225                             | blanc           | 0553519  |
|   | 619          | 60°                 | 0.019 / 0.48      | 270                             | blanc           | 0553619  |
|   | 719          | 70°                 | 0.019 / 0.48      | 300                             | blanc           | 0553719  |
|   | 819          | 80°                 | 0.019 / 0.48      | 330                             | blanc           | 0553819  |
|   | 919          | 90°                 | 0.019 / 0.48      | 385                             | blanc           | 0553919  |
|   | Pare-flammes | 221                 | 20°               | 0.021 / 0.53                    | 120             | blanc    |
| 321   |              | 30°                 | 0.021 / 0.53      | 150                             | blanc           | 0553321  |
| 421   |              | 40°                 | 0.021 / 0.53      | 190                             | blanc           | 0553421  |
| 521   |              | 50°                 | 0.021 / 0.53      | 225                             | blanc           | 0553521  |
| 621   |              | 60°                 | 0.021 / 0.53      | 270                             | blanc           | 0553621  |
| 721   |              | 70°                 | 0.021 / 0.53      | 300                             | blanc           | 0553721  |
| 821   |              | 80°                 | 0.021 / 0.53      | 330                             | blanc           | 0553821  |

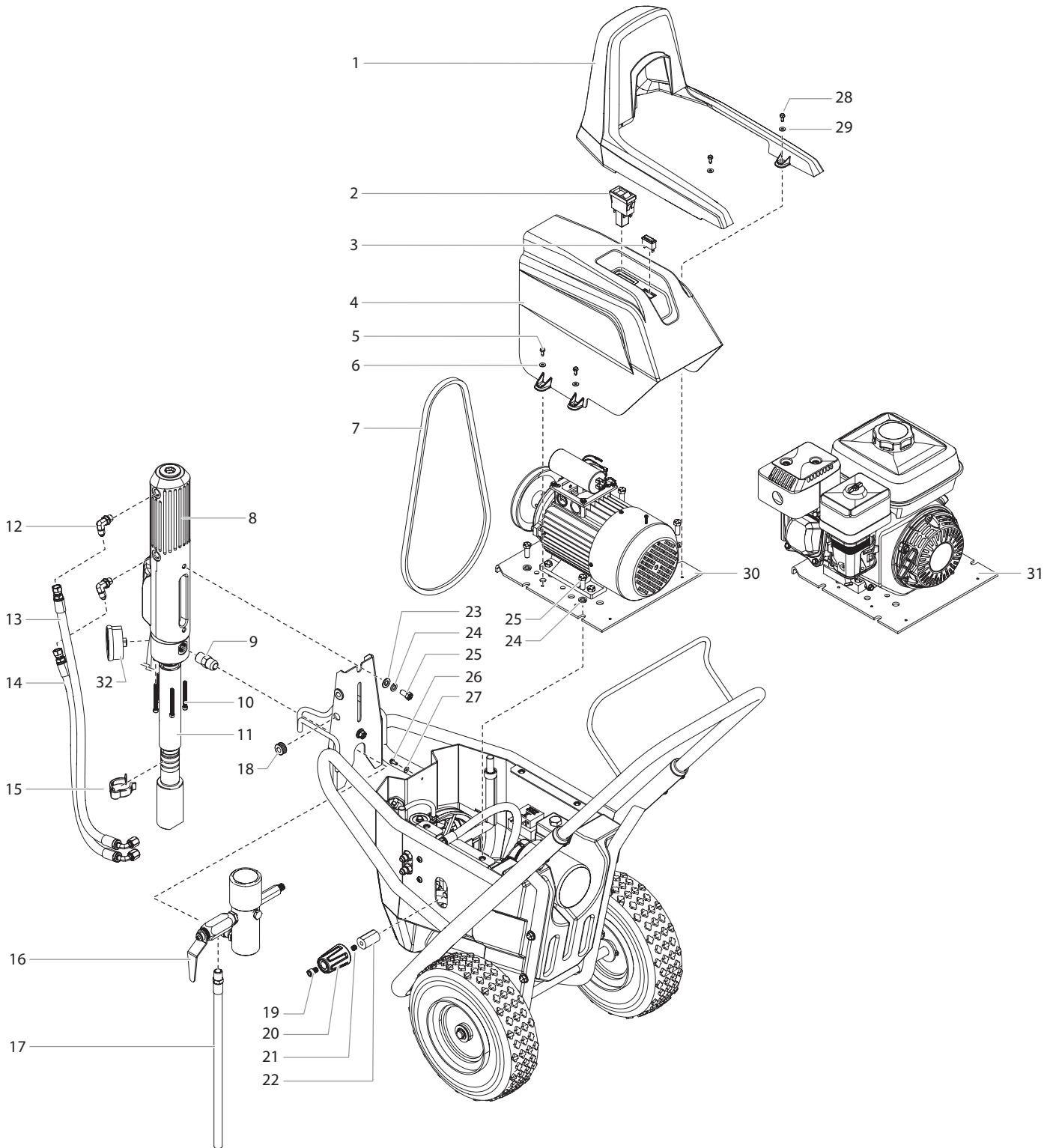
| Utilisation   | Marquage | Angle de projection | Orifice inch / mm | Largeur du jet mm <sup>1)</sup> | Tamis de crosse | Réf. No. |
|---|----------|---------------------|-------------------|---------------------------------|-----------------|----------|
| <b>Revêtements pour toitures</b>  | 223      | 20°                 | 0.023 / 0.58      | 120                             | blanc           | 0553223  |
|   | 323      | 30°                 | 0.023 / 0.58      | 150                             | blanc           | 0553323  |
|   | 423      | 40°                 | 0.023 / 0.58      | 190                             | blanc           | 0553423  |
|   | 523      | 50°                 | 0.023 / 0.58      | 225                             | blanc           | 0553523  |
|   | 623      | 60°                 | 0.023 / 0.58      | 270                             | blanc           | 0553623  |
|   | 723      | 70°                 | 0.023 / 0.58      | 300                             | blanc           | 0553723  |
|   | 823      | 80°                 | 0.023 / 0.58      | 330                             | blanc           | 0553823  |
| <b>Matériaux en couche épaisse<br/>Protection contre la corrosion<br/>Mastic pulvérisable</b> | 225      | 20°                 | 0.025 / 0.64      | 120                             | blanc           | 0553225  |
|   | 325      | 30°                 | 0.025 / 0.64      | 150                             | blanc           | 0553325  |
|   | 425      | 40°                 | 0.025 / 0.64      | 190                             | blanc           | 0553425  |
|   | 525      | 50°                 | 0.025 / 0.64      | 225                             | blanc           | 0553525  |
|   | 625      | 60°                 | 0.025 / 0.64      | 270                             | blanc           | 0553625  |
|   | 725      | 70°                 | 0.025 / 0.64      | 300                             | blanc           | 0553725  |
|   | 825      | 80°                 | 0.025 / 0.64      | 330                             | blanc           | 0553825  |
|   | 227      | 20°                 | 0.027 / 0.69      | 120                             | blanc           | 0553227  |
|   | 327      | 30°                 | 0.027 / 0.69      | 150                             | blanc           | 0553327  |
|   | 427      | 40°                 | 0.027 / 0.69      | 190                             | blanc           | 0553427  |
|   | 527      | 50°                 | 0.027 / 0.69      | 225                             | blanc           | 0553527  |
|   | 627      | 60°                 | 0.027 / 0.69      | 270                             | blanc           | 0553627  |
|   | 827      | 80°                 | 0.027 / 0.69      | 330                             | blanc           | 0553827  |
|   | 229      | 20°                 | 0.029 / 0.75      | 120                             | blanc           | 0553229  |
|   | 329      | 30°                 | 0.029 / 0.75      | 150                             | blanc           | 0553329  |
|   | 429      | 40°                 | 0.029 / 0.75      | 190                             | blanc           | 0553429  |
|   | 529      | 50°                 | 0.029 / 0.75      | 225                             | blanc           | 0553529  |
|   | 629      | 60°                 | 0.029 / 0.75      | 270                             | blanc           | 0553629  |
|   | 231      | 20°                 | 0.031 / 0.79      | 120                             | blanc           | 0553231  |
|   | 331      | 30°                 | 0.031 / 0.79      | 150                             | blanc           | 0553331  |
|   | 431      | 40°                 | 0.031 / 0.79      | 190                             | blanc           | 0553431  |
|   | 531      | 50°                 | 0.031 / 0.79      | 225                             | blanc           | 0553531  |
|   | 631      | 60°                 | 0.031 / 0.79      | 270                             | blanc           | 0553631  |
|   | 731      | 70°                 | 0.031 / 0.79      | 300                             | blanc           | 0553731  |
|   | 831      | 80°                 | 0.031 / 0.79      | 330                             | blanc           | 0553831  |
|   | 233      | 20°                 | 0.033 / 0.83      | 120                             | blanc           | 0553233  |
|   | 333      | 30°                 | 0.033 / 0.83      | 150                             | blanc           | 0553333  |
|   | 433      | 40°                 | 0.033 / 0.83      | 190                             | blanc           | 0553433  |
|   | 533      | 50°                 | 0.033 / 0.83      | 225                             | blanc           | 0553533  |
|   | 633      | 60°                 | 0.033 / 0.83      | 270                             | blanc           | 0553633  |
|   | 235      | 20°                 | 0.035 / 0.90      | 120                             | blanc           | 0553235  |
|   | 335      | 30°                 | 0.035 / 0.90      | 150                             | blanc           | 0553335  |
|   | 435      | 40°                 | 0.035 / 0.90      | 190                             | blanc           | 0553435  |
|   | 535      | 50°                 | 0.035 / 0.90      | 225                             | blanc           | 0553535  |
|   | 635      | 60°                 | 0.035 / 0.90      | 270                             | blanc           | 0553635  |
|   | 735      | 70°                 | 0.035 / 0.90      | 300                             | blanc           | 0553735  |
|   | 439      | 40°                 | 0.039 / 0.99      | 190                             | blanc           | 0553439  |
| 539   | 50°      | 0.039 / 0.99        | 225               | blanc                           | 0553539         |          |
| 639   | 60°      | 0.039 / 0.99        | 270               | blanc                           | 0553639         |          |
| <b>Applications Heavy Duty</b>  | 243      | 20°                 | 0.043 / 1.10      | 120                             | vert            | 0553243  |
|   | 443      | 40°                 | 0.043 / 1.10      | 190                             | vert            | 0553443  |
|   | 543      | 50°                 | 0.043 / 1.10      | 225                             | vert            | 0553543  |
|   | 643      | 60°                 | 0.043 / 1.10      | 270                             | vert            | 0553643  |
|   | 445      | 40°                 | 0.045 / 1.14      | 190                             | vert            | 0553445  |
|   | 545      | 50°                 | 0.045 / 1.14      | 225                             | vert            | 0553545  |
|   | 645      | 60°                 | 0.045 / 1.14      | 270                             | vert            | 0553645  |
|   | 451      | 40°                 | 0.051 / 1.30      | 190                             | vert            | 0553451  |
|   | 551      | 50°                 | 0.051 / 1.30      | 225                             | vert            | 0553551  |
|   | 651      | 60°                 | 0.051 / 1.30      | 270                             | vert            | 0553651  |
|   | 252      | 20°                 | 0.052 / 1.32      | 120                             | vert            | 0553252  |
|   | 455      | 40°                 | 0.055 / 1.40      | 190                             | vert            | 0553455  |
|   | 555      | 50°                 | 0.055 / 1.40      | 225                             | vert            | 0553555  |
|   | 655      | 60°                 | 0.055 / 1.40      | 270                             | vert            | 0553655  |
|   | 261      | 20°                 | 0.061 / 1.55      | 120                             | vert            | 0553261  |
|   | 461      | 40°                 | 0.061 / 1.55      | 190                             | vert            | 0553461  |
|   | 561      | 50°                 | 0.061 / 1.55      | 225                             | vert            | 0553561  |
|   | 661      | 60°                 | 0.061 / 1.55      | 270                             | vert            | 0553661  |
|   | 263      | 20°                 | 0.063 / 1.60      | 120                             | vert            | 0553263  |
|   | 463      | 40°                 | 0.063 / 1.60      | 190                             | vert            | 0553463  |
|   | 565      | 50°                 | 0.065 / 1.65      | 225                             | vert            | 0553565  |
| 665   | 60°      | 0.065 / 1.65        | 270               | vert                            | 0553665         |          |
| 267   | 20°      | 0.067 / 1.70        | 120               | vert                            | 0553267         |          |
| 467   | 40°      | 0.067 / 1.70        | 190               | vert                            | 0553467         |          |

1) Largeur du jet à une distance de 30 cm environ du support, pression de projection 100 bar (10 MPa), laque synthétique de 20 secondes-DIN.

ILLUSTRATION DES PIÈCES DE RECHANGE

GB MAIN ASSEMBLY I  
F ENSEMBLE PRINCIPAL I

D HAUPTBAUGRUPPE I





| Pos. | 730<br>(Gas) | 750<br>(230V) | 750 SSP<br>(230V) | 750<br>(Gas) | 770<br>(Gas) | Description                | Benennung                          | Description                            |
|------|--------------|---------------|-------------------|--------------|--------------|----------------------------|------------------------------------|--|
| 1    | -----        | 0537468A      | 0537468A          | -----        | -----        | Top shroud                 | Obere Abdeckung                    | Carénage supérieur                     |
| 2    | -----        | 9953704       | 9953704           | -----        | -----        | ON/OFF switch              | EIN/AUS-Schalter                   | Interrupteur MARCHE/<br>ARRET          |
| 3    | -----        | 2301766       | 2301766           | -----        | -----        | Indicator light            | Kontrollleuchte                    | Indicateur lumineux                    |
| 4    | -----        | 0537359       | 0537359           | -----        | -----        | Motor cover                | Abdeckung                          | Couvercle                              |
| 5    | -----        | 449-1006      | 449-1006          | -----        | -----        | Screw (4)                  | Schraube (4)                       | Vis (4)                                |
| 6    | -----        | 9822612       | 9822612           | -----        | -----        | Washer (4)                 | Scheibe (4)                        | Rondelle (4)                           |
| 7    | -----        | 0537477       | 0537477           | -----        | -----        | Belt, "V", DC electric     | Keilriemen, "V",<br>Elektromotor   | Courroie, "V", moteur<br>électrique    |
|      | 0537479      | -----         | -----             | 0537477      | 0537486      | Belt, "V", gas engine      | Keilriemen, "V",<br>Benzinmotor    | Courroie, "V", moteur<br>essence       |
| 8*   | 0537252A     | 0537212A      | 0537212A          | 0537212A     | 0537212A     | Motor / pump assembly      | Motoren-/<br>Pumpenbaugruppe       | Bloc moteur/pompe                      |
| 9    | 9885666      | 9885666       | 9885666           | 9885666      | 9885666      | Fitting                    | Beschläge                          | Raccord                                |
| 10   | 9805478      | 9805478       | 9805478           | 9805478      | 9805478      | Screw (5)                  | Schraube (5)                       | Vis (5)                                |
| 11*  | 0537255      | 0537256       | 0537256           | 0537256      | 0537256      | Fluid section assembly     | Baugruppe<br>Flüssigkeitsabschnitt | Ensemble de la section<br>des liquides |
| 12   | 0349487      | 0349487       | 0349487           | 0349487      | 0349487      | Elbow (2)                  | Krümmter (2)                       | Coude (2)                              |
| 13   | 0537366      | 0537366       | 0537366           | 0537366      | 0537366      | Compensator return<br>hose | Rücklaufschlauch<br>Kompensator    | Tube de retour du<br>compensateur      |
| 14   | 0537365      | 0537365       | 0537365           | 0537365      | 0537365      | Compensator return<br>hose | Rücklaufschlauch<br>Kompensator    | Tube de retour du<br>compensateur      |
| 15   | 0537537      | 0537537       | 0537537           | 0537537      | 0537537      | Bypass tube clip           | Bypassrohrstutzen                  | Agrafe du conduit en<br>dérivation     |
| 16*  | 0537220A     | 0537220A      | 0537220A          | 0537220A     | 0537220A     | Filter assembly            | Filterbaugruppe                    | Ensemble de filtre                     |
| 17   | 0507785      | 0507785       | 0507785           | 0507785      | 0507785      | Bypass tube                | Bypassrohr                         | Conduit en dérivation                  |
| 18   | 0509857      | 0509857       | 0509857           | 0509857      | 0509857      | Grommit (2)                | Dichtscheibe (2)                   | Œillet (2)                             |
| 19   | 9805493      | 9805493       | 9805493           | 9805493      | 9805493      | Screw                      | Schraube                           | Vis                                    |
| 20   | 0537305B     | 0537305B      | 0537305B          | 0537305B     | 0537305B     | Pressure control knob      | Druckregulierknopf                 | Bouton de réglage de<br>pression       |
| 21   | 755-224      | 755-224       | 755-224           | 755-224      | 755-224      | Set screw                  | Sicherungsschraube                 | Vis de blocage                         |
| 22   | 0537437      | 0537437       | 0537437           | 0537437      | 0537437      | Knob adapter               | Knopfadapter                       | Adaptateur du bouton                   |
| 23   | 0509285      | 0509285       | 0509285           | 0509285      | 0509285      | Washer (2)                 | Scheibe (2)                        | Rondelle (2)                           |
| 24   | 0509292      | 0509292       | 0509292           | 0509292      | 0509292      | Lock washer (6)            | Federscheibe (6)                   | Rondelle d'arrêt (6)                   |
| 25   | 0349487      | 0349487       | 0349487           | 0349487      | 0349487      | Screw (6)                  | Schraube (6)                       | Vis (6)                                |
| 26   | 449-1006     | 449-1006      | 449-1006          | 449-1006     | 449-1006     | Screw                      | Schraube                           | Vis                                    |
| 27   | 9822612      | 9822612       | 9822612           | 9822612      | 9822612      | Washer                     | Scheibe                            | Rondelle                               |
| 28   | 449-1006     | 449-1006      | 449-1006          | 449-1006     | 449-1006     | Screw (2)                  | Schraube (2)                       | Vis (2)                                |
| 29   | 9822612      | 9822612       | 9822612           | 9822612      | 9822612      | Washer (2)                 | Scheibe (2)                        | Rondelle (2)                           |
| 30** | -----        | -----         | -----             | -----        | -----        | Electric motor assembly    | Baugruppe<br>Elektromotor          | Ensemble du moteur<br>électrique       |
| 31** | -----        | -----         | -----             | -----        | -----        | Gas engine assembly        | Baugruppe<br>Benzinmotor           | Ensemble du moteur à<br>essence        |
| 32   | 0528161      | 0528161       | 0528161           | 0528161      | 0528161      | Manometer                  | Manometer                          | Manomètre                              |

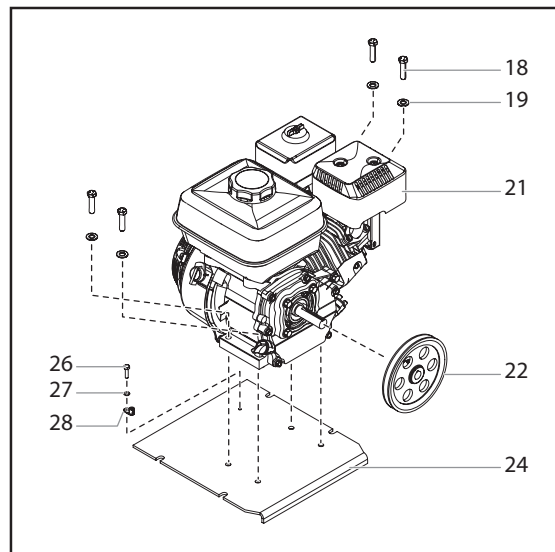
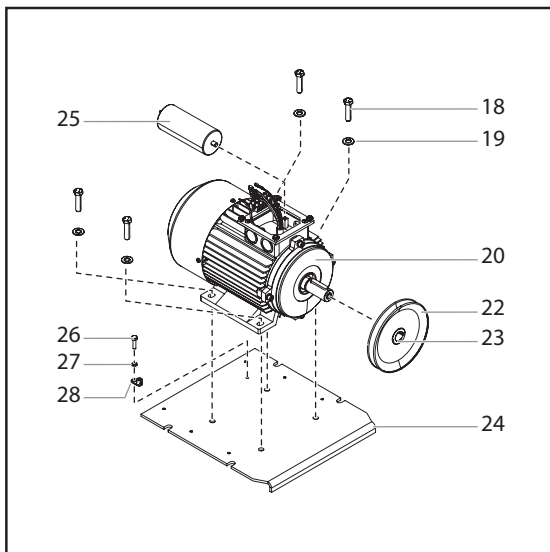
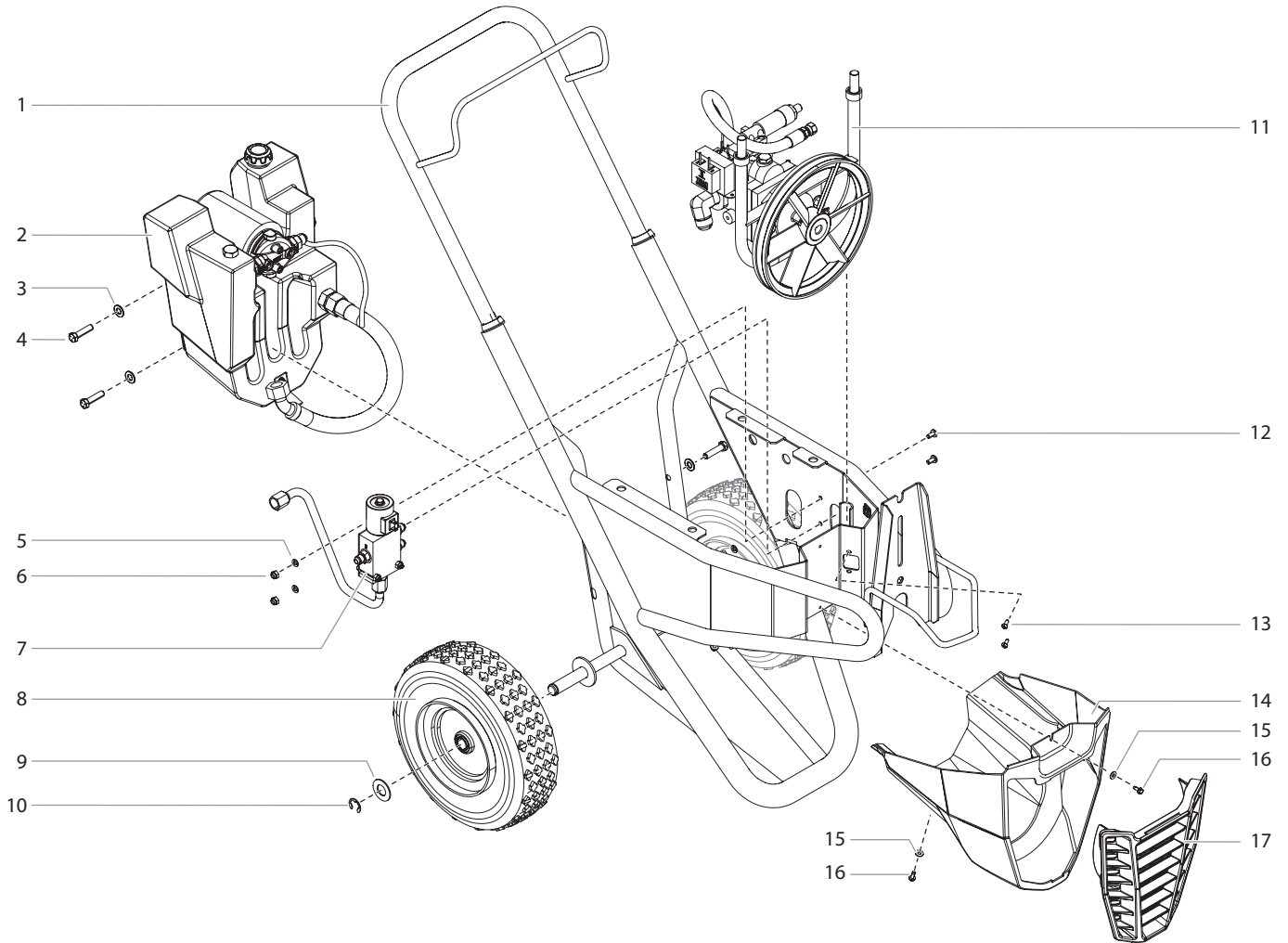
\* See separate listing / Siehe separate Auflistung / voir la liste de pièces distincte

\*\* See Main Assembly II / Siehe Hauptbaugruppe II / Voir l'ensemble principal II

ILLUSTRATION DES PIÈCES DE RECHANGE

GB MAIN ASSEMBLY II  
 F ENSEMBLE PRINCIPAL II

D HAUPTBAUGRUPPE II



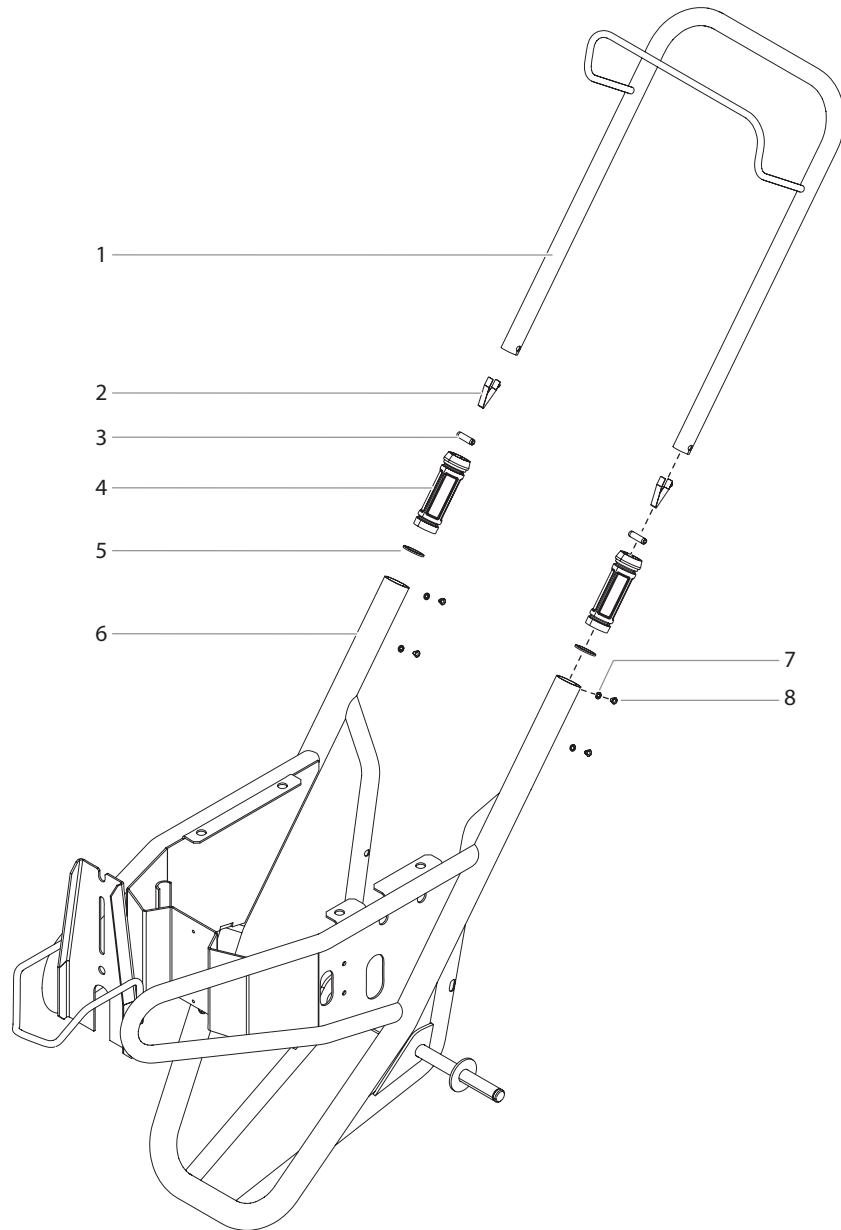
| Pos. | 730<br>(Gas) | 750<br>(230V) | 750 SSP<br>(230V) | 750<br>(Gas) | 770<br>(Gas) | Description                           | Benennung                       | Description                                 |
|------|--------------|---------------|-------------------|--------------|--------------|---------------------------------------|---------------------------------|---|
| 1*   | -----        | -----         | -----             | -----        | -----        | Cart assembly                         | Wagenbaugruppe                  | Ensemble de chariot                         |
| 2*   | 0537225A     | 0537225A      | 0537225A          | 0537225A     | 0537225A     | Hydraulic tank assembly               | Baugruppe Hydrauliktank         | Ensemble du réservoir de fluide hydraulique |
| 3    | 858-001      | 858-001       | 858-001           | 858-001      | 858-001      | Washer (4)                            | Scheibe (4)                     | Rondelle (4)                                |
| 4    | 0509846      | 0509846       | 0509846           | 0509846      | 0509846      | Screw (4)                             | Schraube (4)                    | Vis (4)                                     |
| 5    | 0528220      | 0528220       | 0528220           | 0528220      | 0528220      | Washer (2)                            | Scheibe (2)                     | Rondelle (2)                                |
| 6    | 0509245      | 0509245       | 0509245           | 0509245      | 0509245      | Locknut (2)                           | Stellmutter (2)                 | Écrou d'arrêt (2)                           |
| 7*   | 0537207A     | 0537207A      | 0537207A          | 0537207A     | 0537207A     | Solenoid assembly                     | Magnetbausatz                   | Ensemble du solénoïde                       |
| 8    | 0509390      | 0509390       | 0509390           | 0509390      | 0509390      | Wheel (2)                             | Rad (2)                         | Roue (2)                                    |
| 9    | 0295687      | 0295687       | 0295687           | 0295687      | 0295687      | Washer (4)                            | Scheibe (4)                     | Rondelle (4)                                |
| 10   | 0528088      | 0528088       | 0528088           | 0528088      | 0528088      | Retaining ring (2)                    | Sicherungsring (2)              | Bague de retenue (2)                        |
| 11*  | 0537226A     | 0537226A      | 0537226A          | 0537226A     | 0537226A     | Hydraulic pump assembly               | Hydraulikölpumpe                | Pompe hydraulique                           |
| 12   | 9802527      | 9802527       | 9802527           | 9802527      | 9802527      | Screw (2)                             | Schraube (2)                    | Vis (2)                                     |
| 13   | 9805482      | 9805482       | 9805482           | 9805482      | 9805482      | Screw (2)                             | Schraube (2)                    | Vis (2)                                     |
| 14   | 0537469A     | 0537469A      | 0537469A          | 0537469A     | 0537469A     | Bottom shroud                         | Untere Abdeckung                | Carénage inférieur                          |
| 15   | 9822612      | 9822612       | 9822612           | 9822612      | 9822612      | Washer (2)                            | Scheibe (2)                     | Rondelle (2)                                |
| 16   | 449-1006     | 449-1006      | 449-1006          | 449-1006     | 449-1006     | Screw (2)                             | Schraube (2)                    | Vis (2)                                     |
| 17   | 0537411      | 0537411       | 0537411           | 0537411      | 0537411      | Air intake grate                      | Lufteinlassgitter               | Grille de la prise d'air                    |
| 18   | 862-552      | 862-552       | 862-552           | 862-552      | 862-552      | Screw (4)                             | Schraube (4)                    | Vis (4)                                     |
| 19   | 0509292      | 0509292       | 0509292           | 0509292      | 0509292      | Washer (4)                            | Scheibe (4)                     | Rondelle (4)                                |
| 20   | -----        | -----         | -----             | -----        | -----        | Motor, DC-Electric, 3 Hp, 60 Hz, 120V | Elektromotor, 3 PS, 60 Hz, 120V | Motor électrique, 3 Hp, 60 Hz, 120V         |
|      | -----        | 0537535A      | 0537535A          | -----        | -----        | Motor, DC-Electric, 3 Hp, 60 Hz, 230V | Elektromotor, 3 PS, 60 Hz, 230V | Motor électrique, 3 Hp, 60 Hz, 230V         |
| 21   | 0291329      | -----         | -----             | -----        | -----        | Engine, gas, GX160, Honda             | Benzinmotor, GX160, Honda       | Moteur, essence GX160 Honda                 |
|      | -----        | -----         | -----             | 0537466      | -----        | Engine, gas, GX200, Honda             | Benzinmotor, GX200, Honda       | Moteur, essence GX200 Honda                 |
|      | -----        | -----         | -----             | -----        | 0537484      | Engine, gas, GX270, Honda             | Benzinmotor, GX270, Honda       | Moteur, essence GX270 Honda                 |
| 22   | 0290407      | 0528108       | 0528108           | 449-984      | 449-984      | Pulley                                | Seilrolle                       | Poulie                                      |
| 23   | -----        | 490-117       | 490-117           | -----        | -----        | Bushing                               | Buchse                          | Bague                                       |
| 24   | 0537250      | 0537249       | 0537249           | 0537250      | 0537250      | Mounting plate                        | Montageplatte                   | Plaque de fixation                          |
| 25   | -----        | 9952870       | 9952870           | -----        | -----        | Capacitor                             | Kondensator                     | Condensateur                                |
| 26   | 0349302      | 0349302       | 0349302           | 0349302      | 0349302      | Screw                                 | Schraube                        | Vis   |
| 27   | 0349303      | 0349303       | 0349303           | 0349303      | 0349303      | Washer                                | Scheibe                         | Rondelle                                    |
| 28   | 0349361      | 0349361       | 0349361           | 0349361      | 0349361      | Grounding lug                         | Erdungsschiene                  | Barrette de mise à la masse                 |

\* See separate listing / Siehe separate Auflistung / voir la liste de pièces distincte

ILLUSTRATION DES PIÈCES DE RECHANGE

GB CART ASSEMBLY  
F ENSEMBLE DE CHARIOT

D WAGENBAUGRUPPE



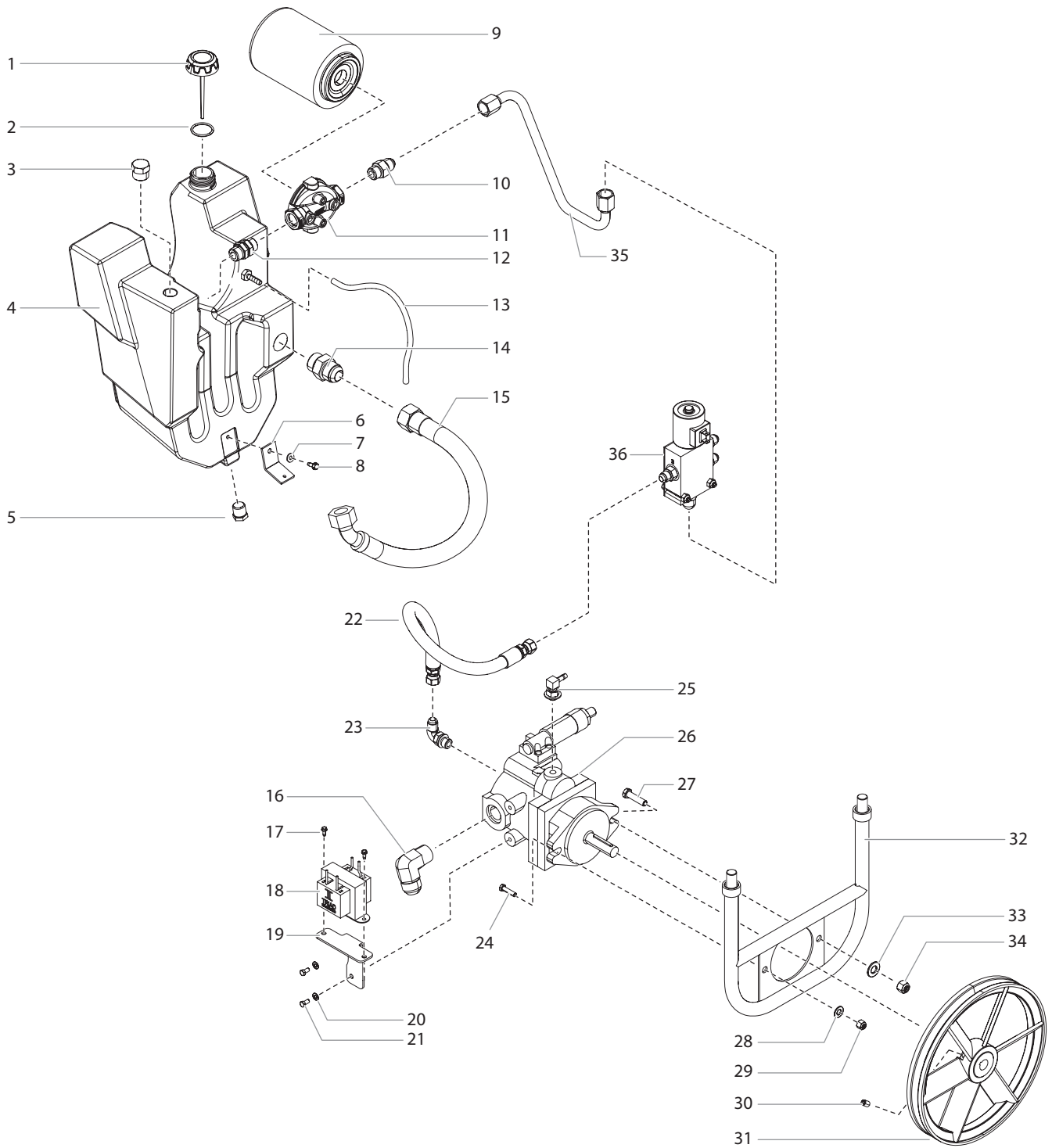
| Pos. | 730<br>(Gas) | 750<br>(230V) | 750 SSP<br>(230V) | 770<br>(Gas) | 770<br>(Gas) | Description     | Benennung      | Description             |
|------|--------------|---------------|-------------------|--------------|--------------|-----------------|----------------|-------------------------|
| 1    | 0537201      | 0537201       | 0537201           | 0537201      | 0537201      | Handle          | Deichsel       | Poignée                 |
| 2    | 9841504      | 9841504       | 9841504           | 9841504      | 9841504      | Snap button (2) | Haltefeder (2) | Ressort (2)             |
| 3    | 0295610      | 0295610       | 0295610           | 0295610      | 0295610      | Roll pin (2)    | Spannhülse (2) | Goupille de serrage (2) |
| 4    | 0295607      | 0295607       | 0295607           | 0295607      | 0295607      | Sleeve (2)      | Buchse (2)     | Douille (2)             |
| 5    | 0295609      | 0295609       | 0295609           | 0295609      | 0295609      | Washer (2)      | Scheibe (2)    | Rondelle (2)            |
| 6    | 0537200      | 0537200       | 0537200           | 0537200      | 0537200      | Frame           | Grundgestell   | Châssis                 |
| 7    | 0509386      | 0509386       | 0509386           | 0509386      | 0509386      | Washer (4)      | Scheibe (4)    | Rondelle (2)            |
| 8    | 0295608      | 0295608       | 0295608           | 0295608      | 0295608      | Screw (4)       | Schraube (4)   | Vis (4)                 |

ILLUSTRATION DES PIÈCES DE RECHANGE

GB HYDRAULIC SYSTEM

D HYDRAULIKSYSTEM

F SYSTÈME HYDRAULIQUE



\* See separate listing / Siehe separate Auflistung / voir la liste de pièces distincte



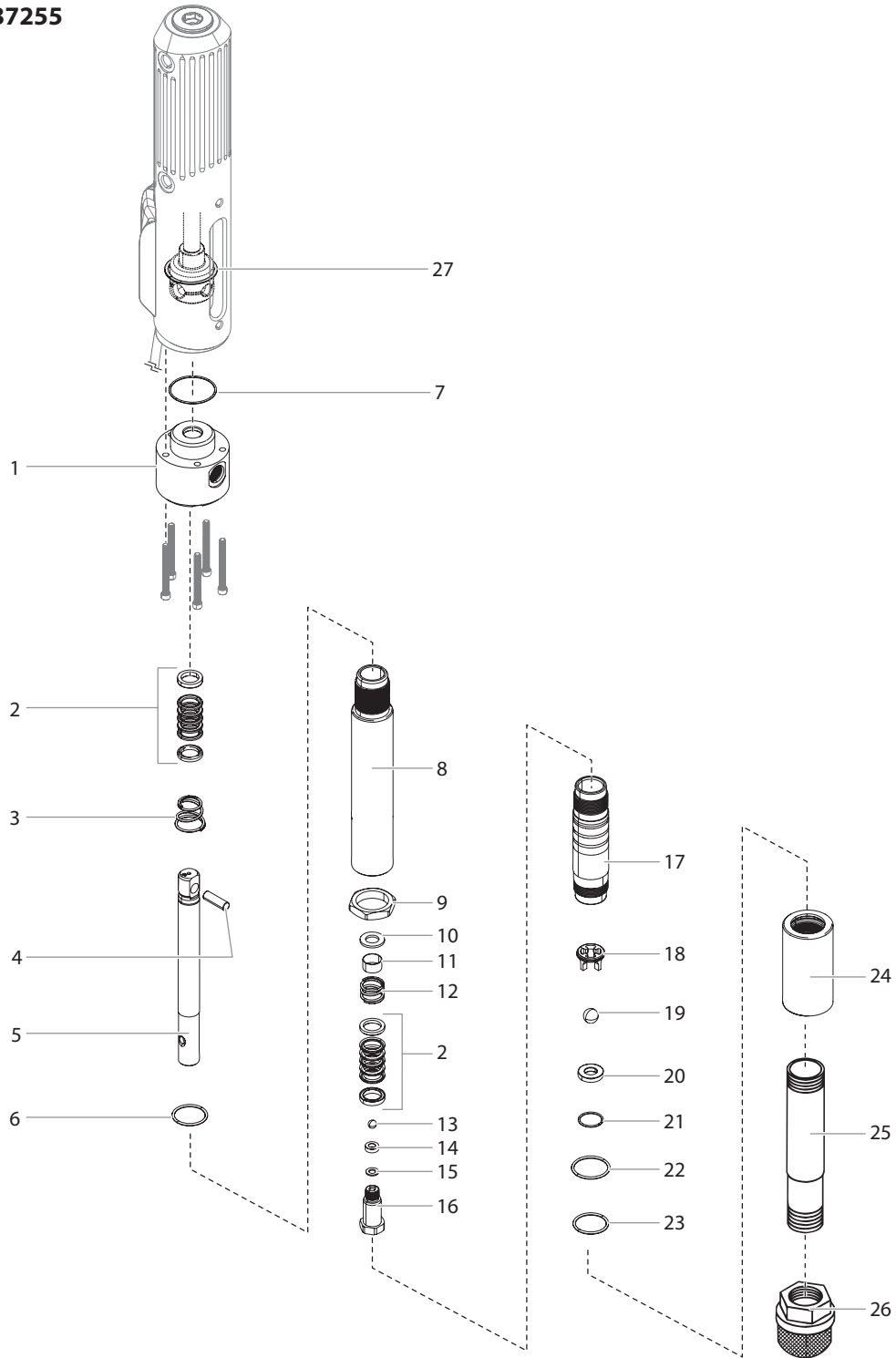
| Pos. | 730<br>(Gas) | 750<br>(230V) | 750 SSP<br>(230V) | 750<br>(Gas) | 770<br>(Gas) | Description   | Benennung  | Description  |
|------|--------------|---------------|-------------------|--------------|--------------|---|--|--|
| 1    | 0537358B     | 0537358B      | 0537358B          | 0537358B     | 0537358B     | Hydraulic fluid dipstick                                      | Ölmesstab  | Jauge de niveau  |
| 2    | 9871241      | 9871241       | 9871241           | 9871241      | 9871241      | O-ring  | O-ring   | Joint torique  |
| 3    | 0537379      | 0537379       | 0537379           | 0537379      | 0537379      | Breather plug   | Entlüftungsschraube  | Évent  |
| 4    | 0537313      | 0537313       | 0537313           | 0537313      | 0537313      | Hydraulic tank  | Hydrauliköltank  | Réservoir d'huile hydraulique  |
| 5    | 9885668      | 9885668       | 9885668           | 9885668      | 9885668      | Plug  | Verschlusssschraube  | Vis bouchon  |
| 6    | 05373271     | 05373271      | 05373271          | 05373271     | 05373271     | Bracket   | Halterung  | Support  |
| 7    | 0509246      | 0509246       | 0509246           | 0509246      | 0509246      | Washer  | Scheibe  | Rondelle   |
| 8    | 9805492      | 9805492       | 9805492           | 9805492      | 9805492      | Screw   | Schraube   | Vis  |
| 9    | 0555469      | 0555469       | 0555469           | 0555469      | 0555469      | Hydraulic filter  | Filter   | Filtre   |
| 10   | 9885666      | 9885666       | 9885666           | 9885666      | 9885666      | Fitting   | Anschluss  | Raccord  |
| 11   | 0537375      | 0537375       | 0537375           | 0537375      | 0537375      | Filter mount  | Filterhalter   | Monture du filtre  |
| 12   | 0537374      | 0537374       | 0537374           | 0537374      | 0537374      | Fitting   | Anschluss  | Raccord  |
| 13   | 0349337      | 0349337       | 0349337           | 0349337      | 0349337      | Case drain hose<br>(connects to item 27)                      | Ablaufschlauch<br>Gehäuse (wird an Pos.<br>27 angeschlossen)     | Tuyau souple de<br>vidange (se branche à<br>l'article 27)                                  |
| 14   | 0537422      | 0537422       | 0537422           | 0537422      | 0537422      | Fitting   | Anschluss  | Raccord  |
| 15   | 0537367      | 0537367       | 0537367           | 0537367      | 0537367      | Hydraulic suction hose<br>(connects to item 16)               | Hydraulischer<br>Saugschlauch (wird an<br>Pos. 16 angeschlossen) | Tuyau d'aspiration<br>hydraulique (se<br>branche à l'article 16)                           |
| 16   | 0537496      | 0537496       | 0537496           | 0537496      | 0537496      | Elbow   | Winkel   | Coude  |
| 17   | -----        | 9802537       | 9802537           | -----        | -----        | Screw (2)   | Schraube (2)   | Vis (2)  |
| 18   | -----        | 0537495A      | 0537495A          | -----        | -----        | Transformer   | Trafo  | Transformateur   |
| 19   | -----        | 0537540       | 0537540           | -----        | -----        | Transformer bracket   | Trafo-Träger   | Support du<br>transformateur   |
| 20   | -----        | 0509246       | 0509246           | -----        | -----        | Washer (2)  | Scheibe (2)  | Rondelle (2)   |
| 21   | -----        | 0295695       | 0295695           | -----        | -----        | Screw (2)   | Schraube (2)   | Vis (2)  |
| 22   | 0537368      | 0537368       | 0537368           | 0537368      | 0537368      | Pressure hose   | Druckschlauch  | Tuyau à pression   |
| 23   | 0349487      | 0349487       | 0349487           | 0349487      | 0349487      | Elbow   | Winkel   | Coude  |
| 24   | 9805464      | 9805464       | 9805464           | 9805464      | 9805464      | Screw   | Schraube   | Vis  |
| 25   | 0349340      | 0349340       | 0349340           | 0349340      | 0349340      | Elbow   | Winkel   | Coude  |
| 26   | 0537351      | 0537351       | 0537351           | 0537351      | 0537351      | Hydraulic pump  | Hydraulikölpumpe   | Pompe hydraulique  |
| 27   | 9805464      | 9805464       | 9805464           | 9805464      | 9805464      | Screw   | Schraube   | Vis  |
| 28   | 0509285      | 0509285       | 0509285           | 0509285      | 0509285      | Flat washer   | Scheibe  | Rondelle   |
| 29   | 9812333      | 9812333       | 9812333           | 9812333      | 9812333      | Nut   | Mutter   | Écrou  |
| 30   | 0349345      | 0349345       | 0349345           | 0349345      | 0349345      | Set screw   | Sicherungsschraube   | Vis de blocage   |
| 31   | 0294225A     | 0294225A      | 0294225A          | 0294225A     | 0294225A     | Pulley/fan assembly<br>(includes item 30)                     | Riemenscheibe (einschl.<br>Pos. 30)                              | Poulie (inclut l'article<br>30)  |
| 32   | 0537245      | 0537245       | 0537245           | 0537245      | 0537245      | Belt tensioner assembly                                       | Bausatz Riemenspann-<br>vorrichtung                              | Ensemble du tendeur<br>de courroie   |
| 33   | 0509285      | 0509285       | 0509285           | 0509285      | 0509285      | Flat washer   | Scheibe  | Rondelle   |
| 34   | 9812333      | 9812333       | 9812333           | 9812333      | 9812333      | Nut   | Mutter   | Écrou  |
| 35   | 0537413      | 0537413       | 0537413           | 0537413      | 0537413      | Return tube assembly  | Rücklaufschlauch   | Tuyau de retour  |
| 36*  | 0537207A     | 0537207A      | 0537207A          | 0537207A     | 0537207A     | Solenoid assembly   | Magnetbausatz  | Ensemble du solénoïde  |
|      | 0537225A     | 0537225A      | 0537225A          | 0537225A     | 0537225A     | Hydraulic tank<br>assembly (includes<br>items 1-8, 12 and 14) | Bausatz Hydrauliktank<br>(einschl. Pos. 1-8, 12<br>und 14)       | Ensemble du réservoir<br>de fluide hydraulique<br>(inclut les articles 1 à 8,<br>12 et 14) |

ILLUSTRATION DES PIÈCES DE RECHANGE

GB FLUID SECTION  
 F SECTION DES LIQUIDES

D FLÜSSIGKEITSBEREICH

HC 730 - P/N 0537255



| Pos. | 730 (Gas) | Description  | Benennung   | Description  |
|------|-----------|--|---|--|
| 1    | 0537346A  | Fluid section housing  | Gehäuse Flüssigkeitsabschnitt   | Logement de la section des liquides  |
| 2    | 0349238A  | Packing set, leather/UHMWPE/steel (2)  | Dichtungssatz, Leder/<br>Ultrahochmolekular-gewichtiges<br>Polyethylen/Stahl (2)                                    | Garniture, cuir/UHMWPE/acier (2)   |
| 3    | 0349498   | Upper packing spring   | Konusfeder  | Ressort de garniture supérieure  |
| 4    | 0349506   | Connecting pin   | Verbindungstift   | Goupille de liaison  |
| 5    | 107-029   | Piston assembly  | Kolben  | Piston   |
| 6    | 0349503   | O-ring, PTFE   | O-ring, PTFE  | Joint torique, PTFE  |
| 7    | 0537433   | O-ring   | O-ring  | Joint torique  |
| 8    | -----     | Cylinder spacer  | Zylinderabstands-halter   | Entretoise du cylindre   |
| 9    | 0528299   | Lock ring  | Seegerring  | Bague de retenue   |
| 10   | 0349493   | Spring retainer  | Federhalter   | Ressort conique  |
| 11   | 0349505   | Sleeve   | Abziehhülse   | Manchon  |
| 12   | 0349504   | Lower packing spring   | Druckfeder  | Ressort de garniture inférieure  |
| 13   | 0349519   | Outlet valve ball  | Kugel   | Bille  |
| 14   | 0555651   | Outlet valve seat  | Auslassventilsitz   | Siège du clapet de refoulement   |
| 15   | 0555652   | Seal washer  | Scheibe   | Rondelle   |
| 16   | 0555653   | Outlet valve housing   | Auslassventilgehäuse  | Corps du clapet de refoulement   |
| 17   | 0349508   | Pump cylinder  | Zylinder  | Cylindre   |
| 18   | 0555655   | Foot valve cage  | Kugelführung  | Guide de bille   |
| 19   | 0349509   | Foot valve ball  | Kugel   | Bille  |
| 20   | 0508679   | Foot valve seat  | Einlassventilsitz   | Siège  |
| 21   | 0509582   | Seat o-ring  | Sitz o-ring   | Siège du joint torique   |
| 22   | 0349502   | O-ring   | O-ring  | Joint torique  |
| 23   | 0349503   | O-ring, PTFE   | O-ring, PTFE  | Joint torique, PTFE  |
| 24   | 0537395   | Foot valve housing   | Einlassventilgehäuse  | Logement du clapet de pied   |
| 25   | 0537462   | Siphon tube  | Siphonrohr  | Tube d'aspiration  |
| 26   | 5006536A  | Inlet screen   | Eintrittsgitter   | Écran d'entrée   |
| 27   | 0349406   | Retaining ring   | Spiralring  | Bague spiralée   |
|      | 0537924   | Fluid section service kit, major (includes items 5, 17, and fluid section service kit, minor)              | Flüssigkeitsbereich Wartungssatz, gross (beinhaltet Teile 5, 17 und Flüssigkeitsbereich Wartungssatz, klein)        | Kit de maintenance de la section des liquides, principal (inclut les éléments 5, 17, et le kit de maintenance de la section des fluides, mineur) |
|      | 0537923   | Fluid section service kit, minor (includes items 2, 6, 11, 13, 15, 19, 21-23, 27, and Loctite P/N 426-051) | Flüssigkeitsbereich Wartungssatz, klein (beinhaltet Teile 2, 6, 11, 13, 15, 19, 21-23, 27, und Loctite P/N 426-051) | Kit de maintenance de la section des liquides, mineur (inclut les éléments 2, 6, 11, 13, 15, 19, 21-23, 27, et Loctite n° de pièce 426-051)      |
|      | 0537254A  | Foot valve assembly (includes items 18-24)   | Einlassventilbaugruppe (beinhaltet Teile 18-24)   | Clapet de pied (inclut les éléments 18-24)   |
|      | 0555650   | Outlet valve assembly (includes items 13-16)   | Ablassventilbaugruppe (beinhaltet Teile 13-16)  | Soupape de sortie (inclut les éléments 13-16)  |

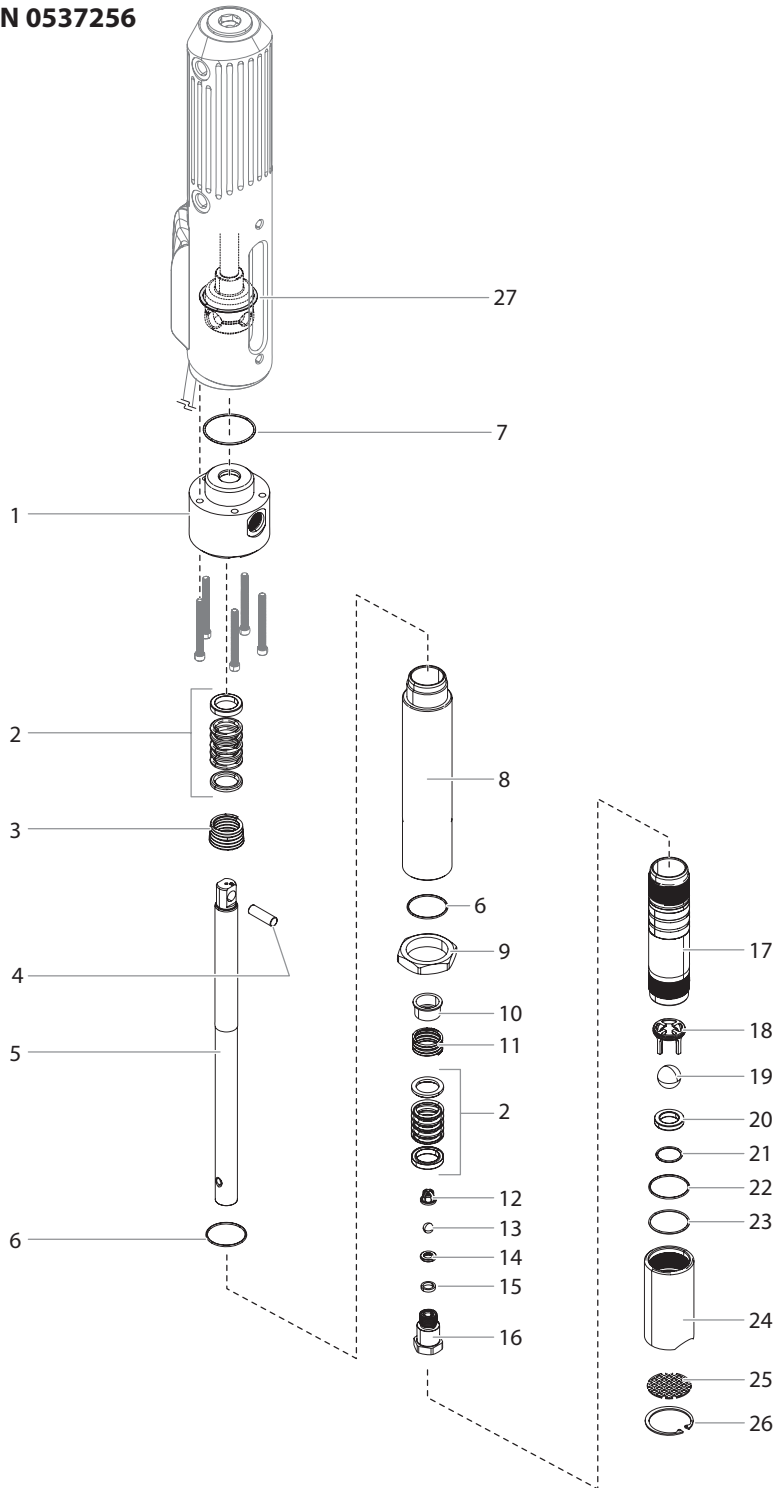
ILLUSTRATION DES PIÈCES DE RECHANGE

GB FLUID SECTION

D FLÜSSIGKEITSBEREICH

F SECTION DES LIQUIDES

HeavyCoat 750 / 770 - P/N 0537256

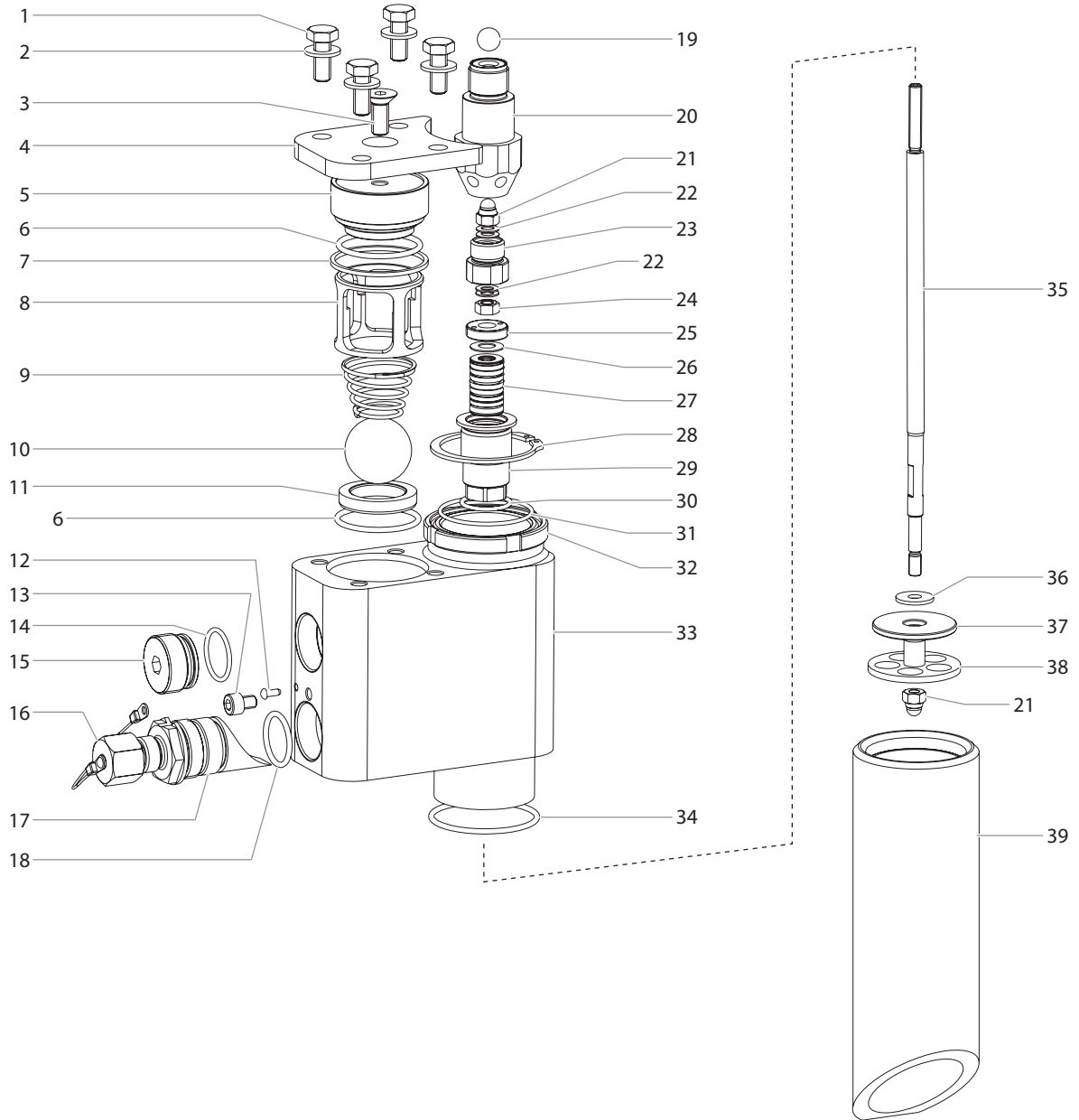


| Pos. | 750 (230V) | 750 SSP (230V) | 750 (Gas) | 770 (Gas) | Description   | Benennung  | Description   |
|------|------------|----------------|-----------|-----------|---|--|---|
| 1    | 0537357A   | 0537357A       | 0537357A  | 0537357A  | Fluid section housing   | Gehäuse Flüssigkeitsabschnitt  | Logement de la section des liquides   |
| 2    | 0349409    | 0349409        | 0349409   | 0349409   | Packing set, leather/ UHMWPE/steel (2)  | Dichtungssatz, Leder/ Ultrahochmolekulargewichtiges Polyethylen/ Stahl (2)   | Garniture, cuir/UHMWPE/ acier (2)   |
| 3    | 0349410    | 0349410        | 0349410   | 0349410   | Upper packing spring  | Konusfeder   | Ressort de garniture supérieure   |
| 4    | 0349407    | 0349407        | 0349407   | 0349407   | Connecting pin  | Verbindungsstift   | Goupille de liaison   |
| 5    | 451-131    | 0550037        | 451-131   | 451-131   | Piston  | Kolben   | Piston  |
| 6    | 0349408    | 0349408        | 0349408   | 0349408   | O-ring, PTFE (2)  | O-ring, PTFE (2)   | Joint torique, PTFE (2)   |
| 7    | 0537433    | 0537433        | 0537433   | 0537433   | O-ring  | O-ring   | Joint torique   |
| 8    | 451-032    | 451-032        | 451-032   | 451-032   | Cylinder spacer   | Zylinderabstandshalter   | Entretoise du cylindre  |
| 9    | 0528296    | 0528296        | 0528296   | 0528296   | Lock ring   | Seegerring   | Bague de retenue  |
| 10   | 0349412    | 0349412        | 0349412   | 0349412   | Spring retainer   | Federhalter  | Ressort conique   |
| 11   | 0349413    | 0349413        | 0349413   | 0349413   | Lower packing spring  | Druckfeder   | Ressort de garniture inférieure   |
| 12   | 0349622    | 0349622        | 0349622   | 0349622   | Outlet valve cage   | Ablassventilkorb   | Cage de soupape de sortie   |
| 13   | 0509710    | 0509710        | 0509710   | 0509710   | Outlet valve ball   | Kugel  | Bille   |
| 14   | 0555668    | 0555668        | 0555668   | 0555668   | Outlet valve seat   | Auslassventilsitz  | Siège du clapet de refoulement  |
| 15   | 0555669    | 0555669        | 0555669   | 0555669   | Seal washer   | Scheibe  | Rondelle  |
| 16   | 0555670    | 0555670        | 0555670   | 0555670   | Outlet valve housing  | Auslassventilgehäuse   | Corps du clapet de refoulement  |
| 17   | 0349416    | 0349416        | 0349416   | 0349416   | Pump cylinder   | Zylinder   | Cylindre  |
| 18   | 0555672    | 0555672        | 0555672   | 0555672   | Foot valve cage   | Kugelführung   | Guide de bille  |
| 19   | 0509707    | 0509707        | 0509707   | 0509707   | Foot valve ball   | Kugel  | Bille   |
| 20   | 0509623    | 0509623        | 0509623   | 0509623   | Foot valve seat   | Einlassventilsitz  | Siège   |
| 21   | 0509708    | 0509708        | 0509708   | 0509708   | Seat o-ring   | Sitz o-ring  | Siège du joint torique  |
| 22   | 0349417    | 0349417        | 0349417   | 0349417   | O-ring  | O-ring   | Joint torique   |
| 23   | 0349408    | 0349408        | 0349408   | 0349408   | O-ring, PTFE  | O-ring, PTFE   | Joint torique, PTFE   |
| 24   | 451-132    | 451-132        | 451-132   | 451-132   | Foot valve housing  | Einlassventilgehäuse   | Logement du clapet de pied  |
| 25   | 0555217    | 0555217        | 0555217   | 0555217   | Inlet screen  | Eintrittsgitter  | Écran d'entrée  |
| 26   | 0349391    | 0349391        | 0349391   | 0349391   | Snap ring   | Sicherungsring   | Circlip   |
| 27   | 143-019    | 143-019        | 143-019   | 143-019   | Retaining ring  | Spiralring   | Bague spiralee  |
|      | 0537922    | 0537922        | 0537922   | 0537922   | Fluid section service kit, major (includes items 5, 17, and fluid section service kit, minor P/N 0537921) | Flüssigkeitsbereich Wartungssatz, gross (beinhaltet Teile 5, 17 und Flüssigkeitsbereich Wartungssatz, klein P/N 0537921) | Kit de maintenance de la section des liquides, principal (inclut les éléments 5, 17, et le kit de maintenance de la section des fluides, mineur, n° de pièce 0537921) |
|      | 0537921    | 0537921        | 0537921   | 0537921   | Fluid section service kit, minor (includes items 2, 6, 13, 15, 19, 21-23, 27, and Loctite P/N 426-051)    | Flüssigkeitsbereich Wartungssatz, klein (beinhaltet Teile 2, 6, 13, 15, 19, 21-23, 27 und Loctite P/N 426-051)           | Kit de maintenance de la section des liquides, mineur (inclut les éléments 2, 6, 13, 15, 19, 21-23, 27, et Loctite n° de pièce 426-051)                               |
|      | 451-133A   | 451-133A       | 451-133A  | 451-133A  | Foot valve assembly (includes items 18-26)  | Einlassventilbaugruppe (beinhaltet Teile 18-26)  | Clapet de pied (inclut les éléments 18-26)  |
|      | 236-050    | 236-050        | 236-050   | 236-050   | Outlet valve assembly (includes items 12-16)  | Ablassventilbaugruppe (beinhaltet Teile 12-16)   | Soupape de sortie (inclut les éléments 12-16)   |

ILLUSTRATION DES PIÈCES DE RECHANGE

GB SHOVEL VALVE  
F PISTON À AUGET

D SCHÖPFKOLBEN





**ILLUSTRATION DES PIÈCES DE RECHANGE**

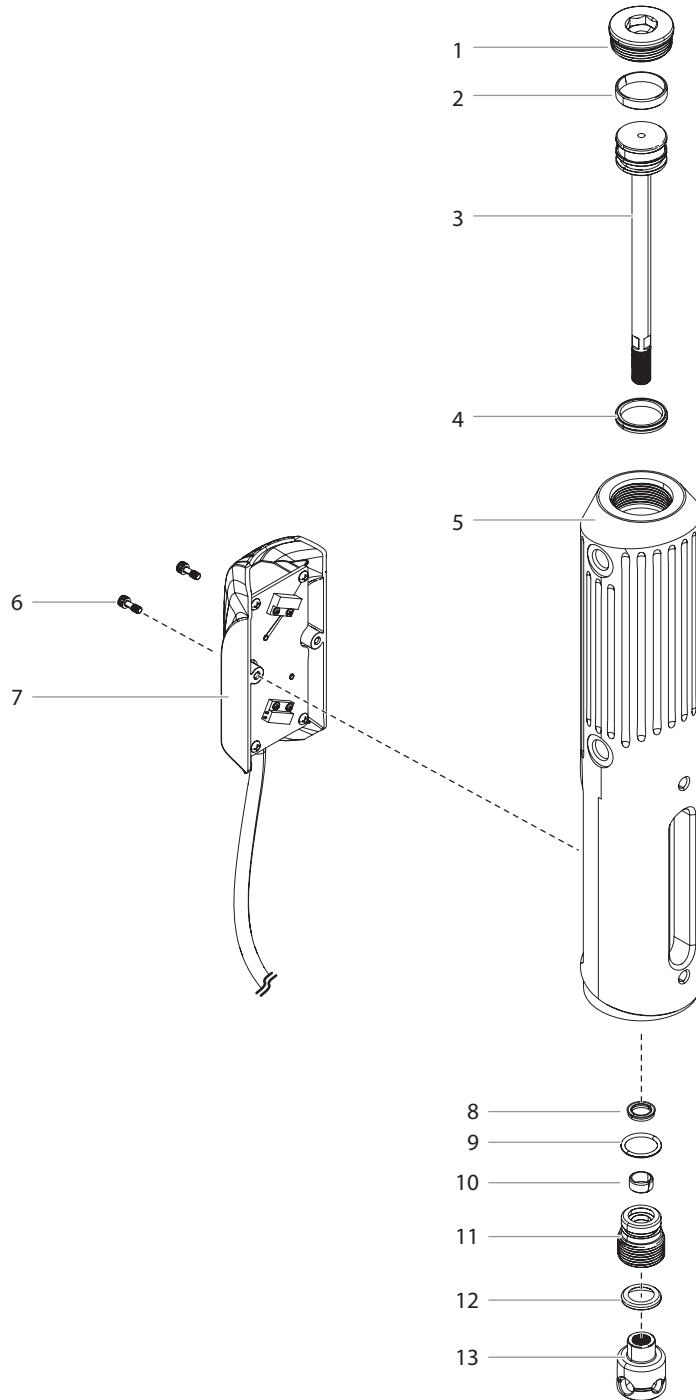
| Pos. | 750 SSP (230V) | Description               | Benennung                     | Description                      |
|------|----------------|---------------------------|-------------------------------|----------------------------------|
| 1    | 9907 195       | Hex screw (4)             | Sechskantschraube (4)         | Vis (4)                          |
| 2    | 9920 102       | Washer (4)                | Scheibe (4)                   | Rondelle (4)                     |
| 3    | 9900 513       | Screw                     | Schraube                      | Vis                              |
| 4    | 0349 683       | Pressure plate            | Druckplatte                   | Plat de pression                 |
| 5    | 0349 684       | Plug plate                | Verschlussplatte              | Plat de bouchon                  |
| 6    | 0367 525       | O-ring (2)                | O-ring (2)                    | Joint torique (2)                |
| 7    | 0349 685       | Sealing ring              | Dichtring                     | Bague d'étoupage                 |
| 8    | 0349 556       | Ball cage                 | Kugelführung                  | Guide de bille                   |
| 9    | 0037 776       | Pressure spring           | Druckfeder                    | Ressort de pression              |
| 10   | 9941 537       | Ball                      | Kugel                         | Bille                            |
| 11   | 0349 557       | Ball seat                 | Kugelsitz                     | Siège de bille                   |
| 12   | 9930 411       | Grooved pin               | Halbrundkerbnagel             | Goupille cannelée                |
| 13   | 9906 025       | Head cap screw            | Zylinderschraube              | Vis de chapeau                   |
| 14   | 2337 803       | O-ring                    | O-ring                        | Joint torique                    |
| 15   | 0349 555       | Plug                      | Verschluss                    | Bouchon                          |
| 16   | 0349 152       | Plug assembly             | Verschlusschraube             | Bouchon complète                 |
| 17   | 0349 688       | Sealing plug with adapter | Verschlusschraube mit Stutzen | Bouchon avec l'adaptateur        |
| 18   | 9971 148       | O-ring                    | O-ring                        | Joint torique                    |
| 19   | 9941 501       | Ball                      | Kugel                         | Bille                            |
| 20*  | 0349 151       | Outlet valve assembly     | Auslassventilsitz kpl.        | Clapet de refoulement            |
| 21   | 9910 712       | Cap nut M 6 (2)           | Hutmutter M 6 (2)             | Ecrou borgne M 6 (2)             |
| 22   | 9923 501       | Disk spring (4)           | Tellerfeder (4)               | Ressort plat (4)                 |
| 23   | 0349 690       | Connection element        | Anschlusselement              | Segment de raccordement          |
| 24   | 9910 113       | Hexagon nut M 6           | Sechskantmutter M 6           | Ecrou hexagonal M 6              |
| 25   | 0349 551       | Flat perforated screw     | Lochschraube                  | Vis perforée                     |
| 26   | 9923 504       | Disk spring               | Tellerfeder                   | Ressort plat                     |
| 27   | 0349 576       | Packing, complete         | Packungssatz                  | Garniture complète               |
| 28   | 3053 865       | Retaining ring            | Sicherungsring                | Bague de retenue                 |
| 29   | 0349687        | Insert                    | Einsteckring                  | Douille                          |
| 30   | 9971 353       | O-ring 21 x 2             | O-ring 21 x 2                 | Joint torique 21 x 2             |
| 31   | 0349 408       | O-ring 50 x 1.78          | O-ring 50 x 1.78              | Joint torique 50 x 1.78          |
| 32   | 0349 686       | Groove nut                | Nutmutter                     | Ecrou                            |
| 33   | 0349 682       | Inlet valve housing       | Einlassventilgehäuse          | Corps de la soupape d'aspiration |
| 34   | 9971 489       | O-ring 47 x 2.5           | O-ring 47 x 2.5               | Joint torique 47 x 2.5           |
| 35   | 0349 545       | Rod                       | Stange                        | Tige                             |
| 36   | 9920 311       | Washer                    | Scheibe                       | Rondelle (2)                     |
| 37   | 0349 544       | Shovel valve plate        | Schöpfkolbenplatte            | Plateau du piston à auget        |
| 38   | 0349 543       | Shovel valve              | Schöpfkolben                  | Piston à auget                   |
| 39   | 0349 580       | Suction tube              | Ansaugrohr                    | Tube d'aspiration                |
|      | 0349 150       | Shovel valve assembly     | Schöpfkolben kpl.             | Piston à auget complète          |

ILLUSTRATION DES PIÈCES DE RECHANGE

GB HYDRAULIC MOTOR  
F MOTEUR HYDRAULIQUE

D HYDRAULIKMOTORS

P/N 0537208A



| Pos. | 730<br>(Gas) | 750<br>(230V) | 750 SSP<br>(230V) | 750<br>(Gas) | 770<br>(Gas) | Description                              | Benennung                                     | Description                                       |
|------|--------------|---------------|-------------------|--------------|--------------|--|---|---|
| 1    | 0537436      | 0537436       | 0537436           | 0537436      | 0537436      | Cylinder head plug                       | Zylinderkopfstöpsel                           | Fiche de la tête du cylindre                      |
| 2    | 0537435      | 0537435       | 0537435           | 0537435      | 0537435      | Wear ring                                | Schleißring                                   | Bague d'usure                                     |
| 3    | 0537347A     | 0537347A      | 0537347A          | 0537347A     | 0537347A     | Hydraulic piston                         | Hydraulikkolben                               | Piston hydraulique                                |
| 4    | 0537434      | 0537434       | 0537434           | 0537434      | 0537434      | Hydraulic piston seal                    | Hydraulische Kolben-<br>dichtung              | Joint d'étanchéité du piston hydraulique          |
| 5    | 0537345A     | 0537345A      | 0537345A          | 0537345A     | 0537345A     | Cylinder head                            | Zylinderkopf                                  | Tête du cylindre                                  |
| 6    | 9805494      | 9805494       | 9805494           | 9805494      | 9805494      | PCB board cover screws (2)               | Schrauben Leiterplatten-<br>abdeckung (2)     | Vis de la housse de la carte PCB (2)              |
| 7    | 0537227A     | -----         | -----             | -----        | -----        | PCB board assembly, 3" (includes item 6) | Bestückung Leiterplatte, 3" (einschl. Pos. 6) | Ensemble de la carte PCB, 3" (inclut l'article 6) |
|      | -----        | 0537222A      | 0537222A          | 0537222A     | 0537222A     | PCB board assembly, 4" (includes item 6) | Bestückung Leiterplatte, 4" (einschl. Pos. 6) | Ensemble de la carte PCB, 4" (inclut l'article 6) |
| 8    | 0537430      | 0537430       | 0537430           | 0537430      | 0537430      | Cup seal                                 | Profildichtung                                | Coupelle d'étanchéité                             |
| 9    | 0537429      | 0537429       | 0537429           | 0537429      | 0537429      | O-ring                                   | O-ring  | Joint torique                                     |
| 10   | 0537463      | 0537463       | 0537463           | 0537463      | 0537463      | Wear ring                                | Schleißring                                   | Bague d'usure                                     |
| 11   | 0537428A     | 0537428A      | 0537428A          | 0537428A     | 0537428A     | Plug                                     | Stecker                                       | Fiche   |
| 12   | 0537361A     | 0537361A      | 0537361A          | 0537361A     | 0537361A     | Magnet                                   | Magnet  | Aimant  |
| 13   | 0537348      | 0537348       | 0537348           | 0537348      | 0537348      | Piston coupler                           | Kolbenkoppler                                 | Coupleur du piston                                |
|      | 0537210A     | 0537210A      | 0537210A          | 0537210A     | 0537210A     | Plug assembly (includes items 8-11)      | Steckerbaugruppe (einschl. Pos. 8-11)         | Ensemble de la fiche (inclut les articles 8 à 11) |

ILLUSTRATION DES PIÈCES DE RECHANGE

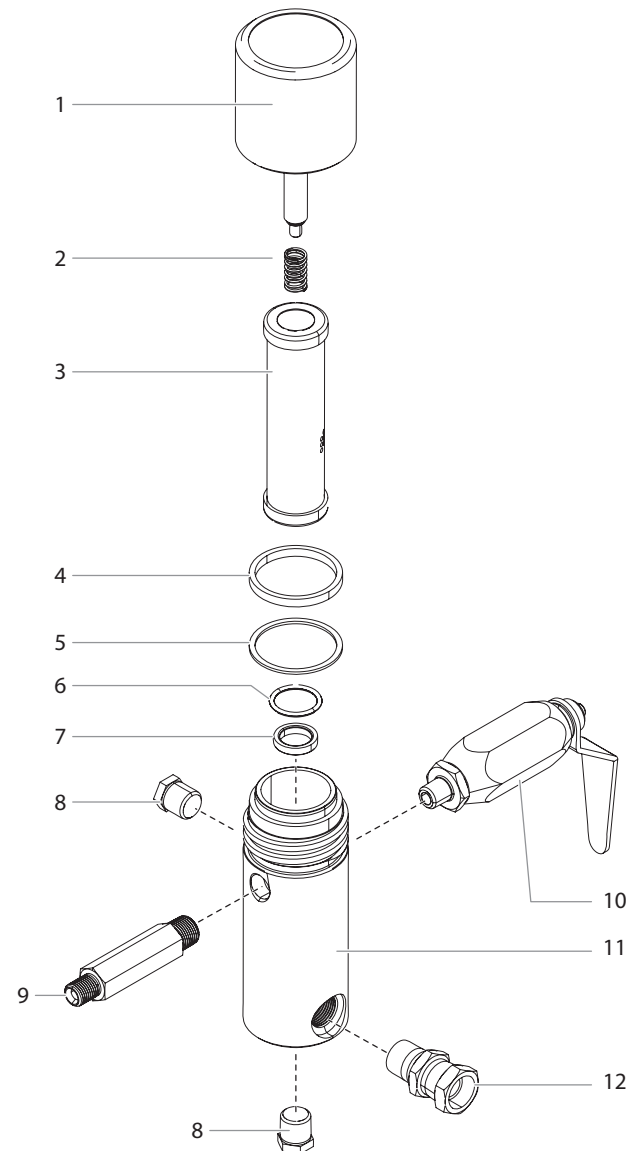
GB HIGH PRESSURE FILTER  
 F FILTRE À HAUTE PRESSION

D HOCHDRUCKFILTER

| FILTER ASSEMBLY SPECIFICATIONS  |   |
|---|---|
| <b>Maximum Working Pressure:</b>  | 5000 psi (34.5 MPa)                       |
| <b>Filter Area:</b>   | 18 ln <sup>2</sup> (116 cm <sup>2</sup> ) |
| <b>Outlet Ports:</b>  |   |
| (1) 1/4" NPT(F) for bleed valve   |   |
| (1) 3/8" NPT(F) with 1/4 NPSM(M) hose connection  |   |
| (2) 3/8" NPT(F) plugged for additional gun hookup.  |   |
| <b>Wetted Parts:</b>  |   |
| Carbon steel with electroless nickel and cadmium plating, stainless steel, tungsten carbide, PTFE |   |

| SPEZIFIKATIONEN  |   |
|--|---|
| <b>Maximaler Arbeitsdruck:</b>   | 34,5 MPa (5000 psi)                       |
| <b>Filterbereich:</b>  | 116 cm <sup>2</sup> (18 ln <sup>2</sup> ) |
| <b>Ablässöffnungen:</b>  |   |
| (1) 1/4" NPT(F) für das Ablassventil   |   |
| (1) 3/8" NPT(F) mit 1/4 NPSM(M) Schlauchverbindung                                   |   |
| (2) 3/8" NPT(F) verschlossen, für zusätzliche Spritzpistolenanschluss.               |   |
| <b>Nasteile:</b>   |   |
| Stromloser vernickelter unlegierter Kohlenstoffstahl, Edelstahl, Wolframcarbid, PTFE |   |

| CARACTÉRISTIQUES  |   |
|---|---|
| <b>Pression de travail maximale :</b>   | 34,5 MPa (5000 psi)                       |
| <b>Surface du filtre :</b>  | 116 cm <sup>2</sup> (18 ln <sup>2</sup> ) |
| <b>Orifices de sortie :</b>   |   |
| (1) 1/4" NPT(F) pour la soupape de décharge   |   |
| (1) 3/8" NPT(F) avec raccord de tuyau 1/4 NPSM(M)   |   |
| (2) 3/8" NPT(F) branché pour la connexion d'un pistolet supplémentaire.   |   |
| <b>Pièces mouillées :</b>   |   |
| Acier au carbone avec revêtement de nickel et cadmium autocatalytiques, acier inoxydable, carbure de tungstène, PTFE. |   |



| Pos. | 730<br>(Gas) | 750<br>(230V) | 750 SSP<br>(230V) | 750<br>(Gas) | 770<br>(Gas) | Description                                   | Benennung  | Description  |
|------|--------------|---------------|-------------------|--------------|--------------|---|--|--|
| 1    | 0290443A     | 0290443A      | 0290443A          | 0290443A     | 0290443A     | Filter cap assembly                           | Gehäusedeckel  | Couvercle du corps                                       |
| 2    | 0349430      | 0349430       | 0349430           | 0349430      | 0349430      | Spring  | Druckfeder   | Ressort  |
| 3    | 0349707*     | 0349707       | 0349707*          | 0349707*     | 0349707*     | Filter element, 0 M, with ball                | Filterpatrone, 0 Maschen, mit Kugel                              | Cartouche de filtre 0 mailles, avec bille                |
|      | 0349704*     | 0349704*      | 0349704           | 0349704      | 0349704*     | Filter element, 50 M, with ball               | Filterpatrone, 50 Maschen, mit Kugel                             | Cartouche de filtre 50 mailles, avec bille               |
|      | -----        | 0349431*      | 0349431*          | 0349431*     | 0349431      | Filter element, 5 M, with ball                | Filterpatrone, 5 Maschen, mit Kugel                              | Cartouche de filtre 5 mailles, avec bille                |
|      | -----        | 0349705*      | 0349705*          | 0349705*     | 0349705*     | Filter element, 100 M, with ball              | Filterpatrone, 100 Maschen, mit Kugel                            | Cartouche de filtre 100 mailles, avec bille              |
| 4    | 0349432      | 0349432       | 0349432           | 0349432      | 0349432      | Gasket, PTFE (thick)                          | Dichtung dick  | Joint épais  |
| 5    | 0349433      | 0349433       | 0349433           | 0349433      | 0349433      | Gasket, PTFE (thin)                           | Dichtung dünn  | Joint mince  |
| 6    | 0349434      | 0349434       | 0349434           | 0349434      | 0349434      | O-ring, PTFE                                  | O-Ring   | Joint torique, PTFE                                      |
| 7    | 0349435      | 0349435       | 0349435           | 0349435      | 0349435      | Seat, tungsten carbide                        | Ventilsitz   | Siège de soupape   |
| 8    | 0349348      | 0349348       | 0349348           | 0349348      | 0349348      | Pipe plug (2)                                 | Verschlusschraube (2)  | Vis bouchon (2)  |
| 9    | 191-324      | 191-324       | 191-324           | 191-324      | 191-324      | Hex fitting, 1/4" (included in Lit. set)      | Sechskantschraube, 1/4" (einschließlich Handbuch und Kleinteile) | Raccord hexagonal, 0,6 cm (inclus dans la documentation) |
|      | -----        | 808-550A      | 808-550A          | 808-550A     | 808-550A     | Hex fitting, 3/8" (included in Lit. set)      | Sechskantschraube, 3/8" (einschließlich Handbuch und Kleinteile) | Raccord hexagonal, 0,9 cm (inclus dans la documentation) |
| 10** | 0555645      | 0555645       | 0555645           | 0555645      | 0555645      | Bleed valve                                   | Ablassventilbaugruppe  | Assemblage de la soupape de décharge                     |
| 11   | 0537454      | 0537454       | 0537454           | 0537454      | 0537454      | Filter body                                   | Gehäuse  | Corps  |
| 12   | 0537455      | 0537455       | 0537455           | 0537455      | 0537455      | Fitting                                       | Anschluss  | Raccord  |
|      | 0349700      | 0349700       | 0349700           | 0349700      | 0349700      | Filter service kit (includes items 2 and 4-6) | Filterwartungssatz (beinhaltet Teile 2 und 4-6)                  | Kit d'entretien du filtre (inclut les éléments 2 et 4-6) |

\* Optional / Optional / Facultatif

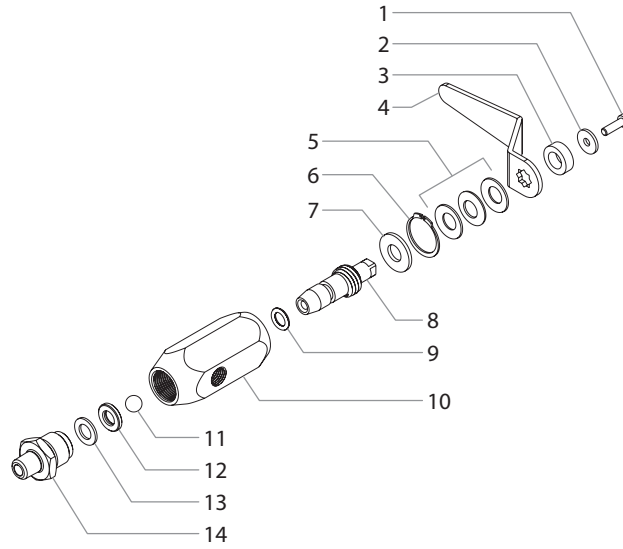
\*\* See separate listing / Siehe separate Auflistung / voir la liste de pièces distincte

ILLUSTRATION DES PIÈCES DE RECHANGE

GB BLEED VALVE ASSEMBLY

D ABLASSSCHLAUCHBAUGRUPPE

F ASSEMBLAGE DE LA SOUPAPE DE DÉCHARGE



| Pos. | 730<br>(Gas) | 750<br>(230V) | 750 SSP<br>(230V) | 750<br>(Gas) | 770<br>(Gas) | Description         | Benennung               | Description                                  |
|------|--------------|---------------|-------------------|--------------|--------------|---------------------|-------------------------|--|
| 1    | 0555664      | 0555664       | 0555664           | 0555664      | 0555664      | Hex screw           | Sechskantschraube       | Vis hexagonale                               |
| 2    | 0555663      | 0555663       | 0555663           | 0555663      | 0555663      | Flat washer         | Schiebe                 | Rondelle                                     |
| 3    | 0295731      | 0295731       | 0295731           | 0295731      | 0295731      | Spacer              | Abstandhalter           | Entretoise                                   |
| 4    | 0295730      | 0295730       | 0295730           | 0295730      | 0295730      | Valve handle        | Ventilgriff             | Poignée de la soupape                        |
| 5    | 9820905      | 9820905       | 9820905           | 9820905      | 9820905      | Spring washer (3)   | Federscheibe (3)        | Rondelle de ressort (3)                      |
| 6    | 9822516      | 9822516       | 9822516           | 9822516      | 9822516      | Retaining ring      | Haltering               | Bague de retenue                             |
| 7    | 0294501      | 0294501       | 0294501           | 0294501      | 0294501      | Valve washer        | Ventilunterlags-scheibe | Rondelle de soupape                          |
| 8    | 0555622      | 0555622       | 0555622           | 0555622      | 0555622      | Valve stem          | Ventilschaltspindel     | Tige de soupape                              |
| 9    | 9871045      | 9871045       | 9871045           | 9871045      | 9871045      | Stem O-ring         | Schaltspindel O-Ring    | Joint torique de la tige                     |
| 10   | 0555767      | 0555767       | 0555767           | 0555767      | 0555767      | Valve housing       | Ventilgehäuse           | Logement de la soupape                       |
| 11   | 9841502      | 9841502       | 9841502           | 9841502      | 9841502      | Ball                | Kugel                   | Bille  |
| 12   | 0555766      | 0555766       | 0555766           | 0555766      | 0555766      | Valve seat          | Ventilsitz              | Siège de la soupape                          |
| 13   | 0294499      | 0294499       | 0294499           | 0294499      | 0294499      | Valve seal          | Ventildichtung          | Joint de la soupape                          |
| 14   | 0550660      | 0550660       | 0550660           | 0550660      | 0550660      | Valve seat retainer | Ventilsitzhalter        | Dispositif de retenue du siège de la soupape |

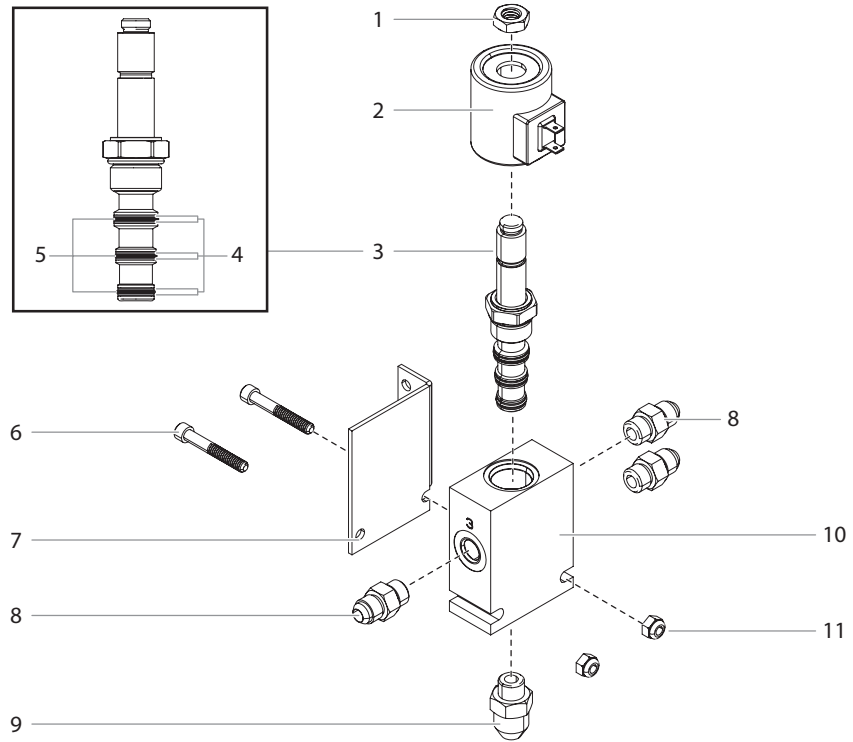


ILLUSTRATION DES PIÈCES DE RECHANGE

GB SOLENOID ASSEMBLY

D MAGNETBAUSATZ

F ENSEMBLE DE SOLÉNOÏDE



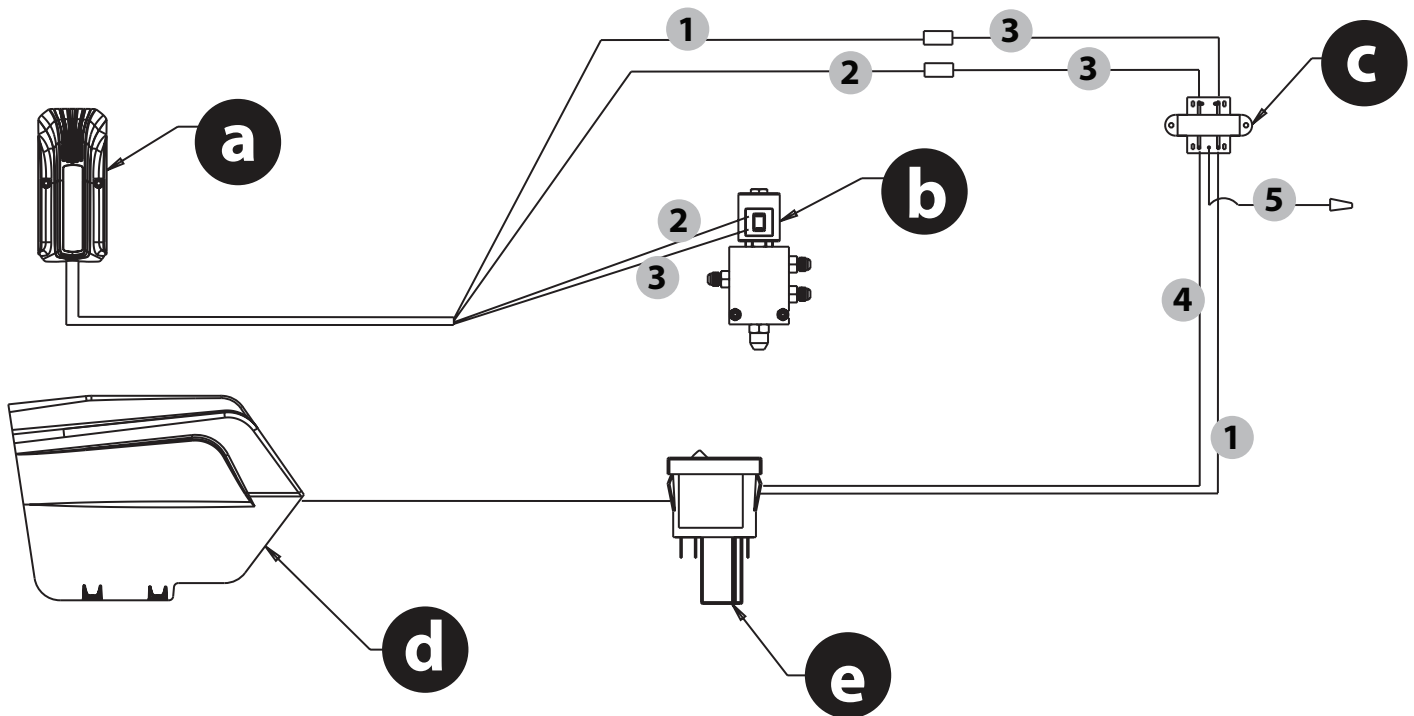
| Pos. | 730<br>(Gas) | 750<br>(230V) | 750 SSP<br>(230V) | 750<br>(Gas) | 770<br>(Gas) | Description                                    | Benennung                                       | Description  |
|------|--------------|---------------|-------------------|--------------|--------------|--|---|--|
| 1    | 0537909      | 0537909       | 0537909           | 0537909      | 0537909      | Nut  | Mutter  | Écrou  |
| 2    | 0537910      | 0537910       | 0537910           | 0537910      | 0537910      | Coil   | Kühlschlange                                    | Bobine   |
| 3    | 0537911      | 0537911       | 0537911           | 0537911      | 0537911      | Spool / sleeve assembly (includes items 4-5)   | Spulen- / Hülsenbausatz (enthält Pos. 4-5)      | Ensemble de bobine / douille (inclut les articles 4 et 5)                  |
| 4    | -----        | -----         | -----             | -----        | -----        | Backup ring (6)                                | Stützring (6)                                   | Bague d'appui (6)  |
| 5    | 0537913      | 0537913       | 0537913           | 0537913      | 0537913      | O-ring kit (includes item 4)                   | O-Ring-Satz (enthält Pos. 4)                    | Trousse de joint torique (inclut l'article 4)                              |
| 6    | 9805479      | 9805479       | 9805479           | 9805479      | 9805479      | Screw (2)                                      | Schraube (2)                                    | Vis (2)  |
| 7    | 0537424      | 0537424       | 0537424           | 0537424      | 0537424      | Mounting plate                                 | Befestigungsplatte                              | Plaque de montage  |
| 8    | 0537370      | 0537370       | 0537370           | 0537370      | 0537370      | Fitting (3)                                    | Beschläge (3)                                   | Raccord (3)  |
| 9    | 0537427      | 0537427       | 0537427           | 0537427      | 0537427      | Fitting  | Beschläge                                       | Raccord  |
| 10   | 0537915      | 0537915       | 0537915           | 0537915      | 0537915      | Solenoid block                                 | Magnetventile                                   | Groupe de solénoïde  |
| 11   | 0509245      | 0509245       | 0509245           | 0509245      | 0509245      | Nut (2)  | Mutter (2)                                      | Écrou (2)  |
|      | 0537914      | 0537914       | 0537914           | 0537914      | 0537914      | Spool / sleeve repair kit (includes items 4-5) | Spulen- /Hülsen-Reparaturatz (enthält Pos. 4-5) | Trousse de réparation du Spool/ de la douille (inclut les articles 4 et 5) |

ILLUSTRATION DES PIÈCES DE RECHANGE

GB CONNECTION DIAGRAM (230V)

D SCHALTPLAN (230V)

F SCHÉMA ÉLECTRIQUE (230V)



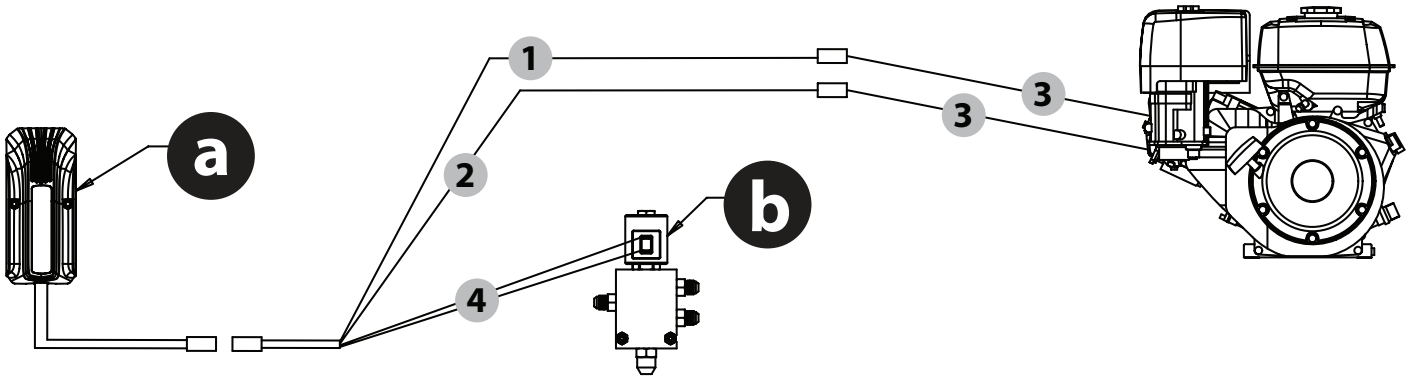
| Wiring | Verkabelung | Câbles           |
|--------|-------------|------------------|
| 1      | Black       | Schwarz<br>Noir  |
| 2      | Red         | Rot<br>Rouge     |
| 3      | Yellow      | Gelb<br>Jaune    |
| 4      | Orange      | Orange<br>Orange |
| 5      | White       | Weiß<br>Blanc    |
| 6      | Brown       | Braun<br>Brun    |

| Notes | Hinweise              | Remarques   |
|-------|-----------------------|---|
| a     | Sensor board cover    | Abdeckung Sensorplatine<br>Housse du capteur            |
| b     | Solenoid              | Hubmagnet<br>Solénoïde                                  |
| c     | Transformer           | Trafo<br>Transformateur                                 |
| d     | Electric motor shroud | Abdeckung Elektromotor<br>Carénage du moteur électrique |
| e     | Motor switch          | EIN/AUS-Schalter<br>Interrupteur MARCHE/ARRET           |

**GB CONNECTION DIAGRAM (GAS ENGINE)**

**D SCHALTPLAN (BENZINMOTOR)**

**F SCHÉMA ÉLECTRIQUE (MOTEUR À ESSENCE)**



| Wiring | Verkabelung | Câbles  |       |
|--------|-------------|---------|-------|
| 1      | Black       | Schwarz | Noir  |
| 2      | Red         | Rot     | Rouge |
| 3      | Gray        | Grau    | Gris  |
| 4      | Blue        | Blau    | Bleu  |

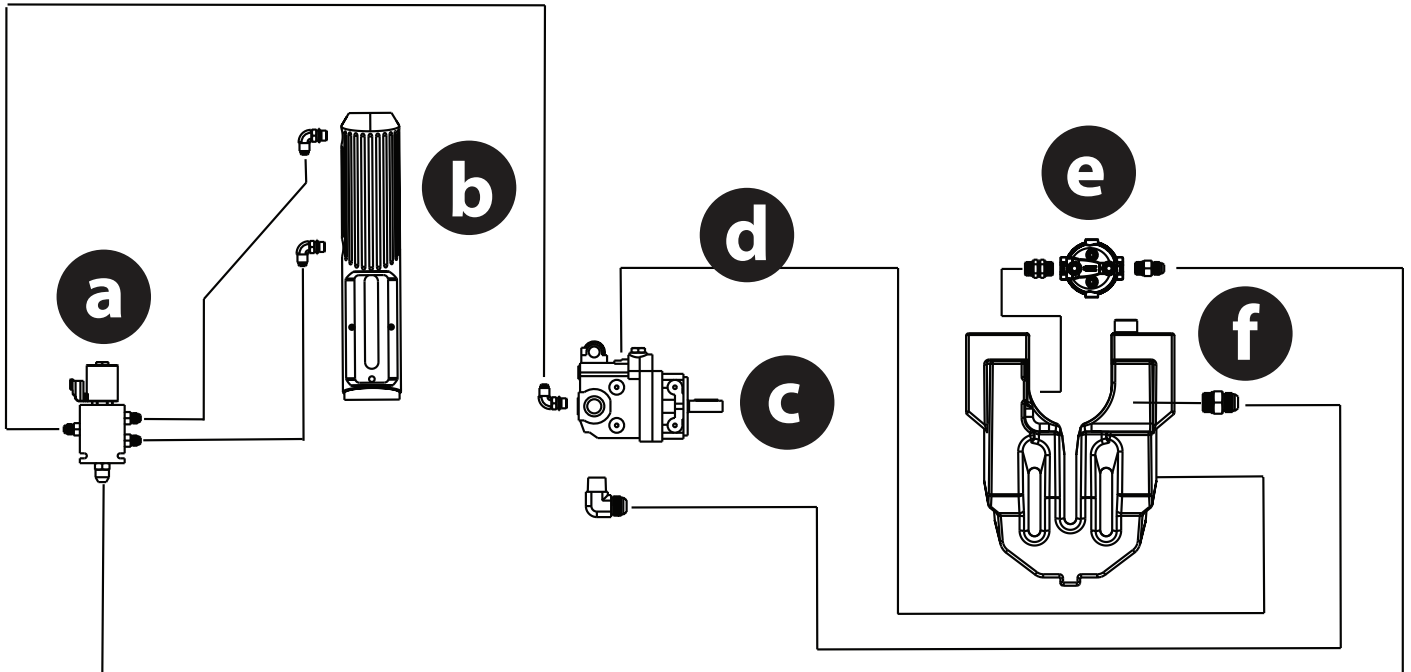
| Notes | Hinweise           | Remarques               |                   |
|-------|--------------------|-------------------------|-------------------|
| a     | Sensor board cover | Abdeckung Sensorplatine | Housse du capteur |
| b     | Solenoid           | Hubmagnet               | Solénoïde         |

ILLUSTRATION DES PIÈCES DE RECHANGE

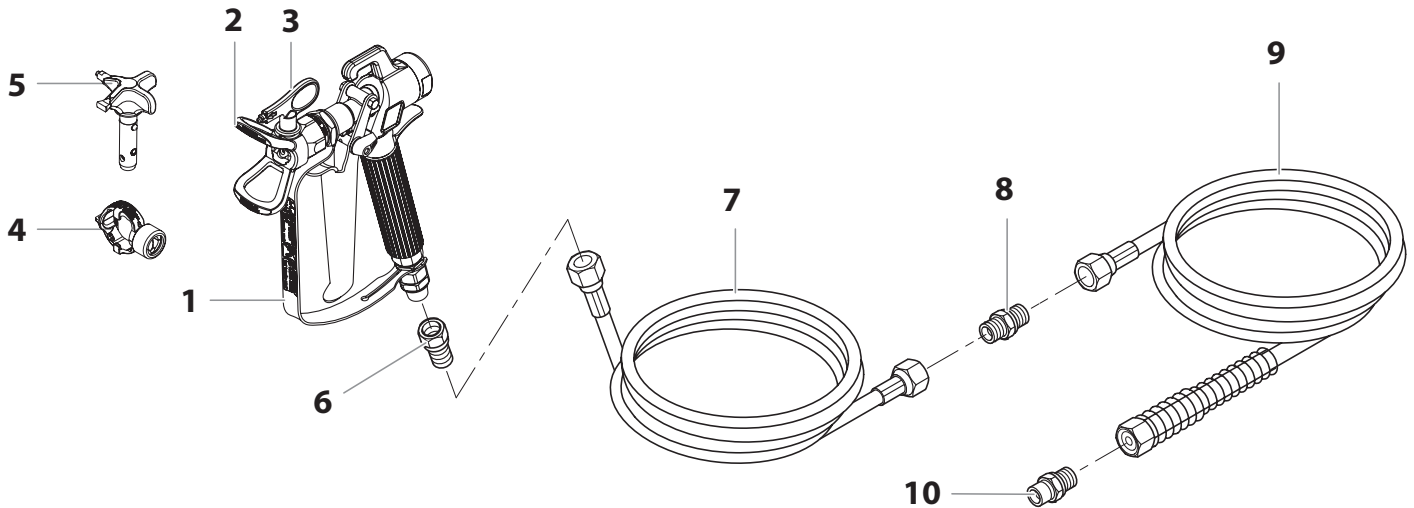
GB HYDRAULIC DIAGRAM

D HYDRAULIKSCHEMA

F DIAGRAMME HYDRAULIQUE



| Notes                         | Hinweise                | Remarques                       |
|-------------------------------|-------------------------|---------------------------------|
| <b>a</b> Solenoid             | Hubmagnet               | Solénoïde                       |
| <b>b</b> Hydraulic motor pump | Hydraulische Motorpumpe | Pompe du moteur hydraulique     |
| <b>c</b> Hydraulic pump       | Hydraulikpumpe          | Pompe hydraulique               |
| <b>d</b> Vent                 | Belüftung               | Orifice de ventilation          |
| <b>e</b> Remote filter mount  | Remote-Filterhalter     | Monture du filtre à distance    |
| <b>f</b> Hydraulic tank       | Hydrauliktank           | Réservoir de fluide hydraulique |

**GB ACCESSORIES FOR HC UNITS I**
**D ZUBEHÖR FÜR HC-GERÄTE I**
**F ACCESSOIRES POUR GROUPES HC I**


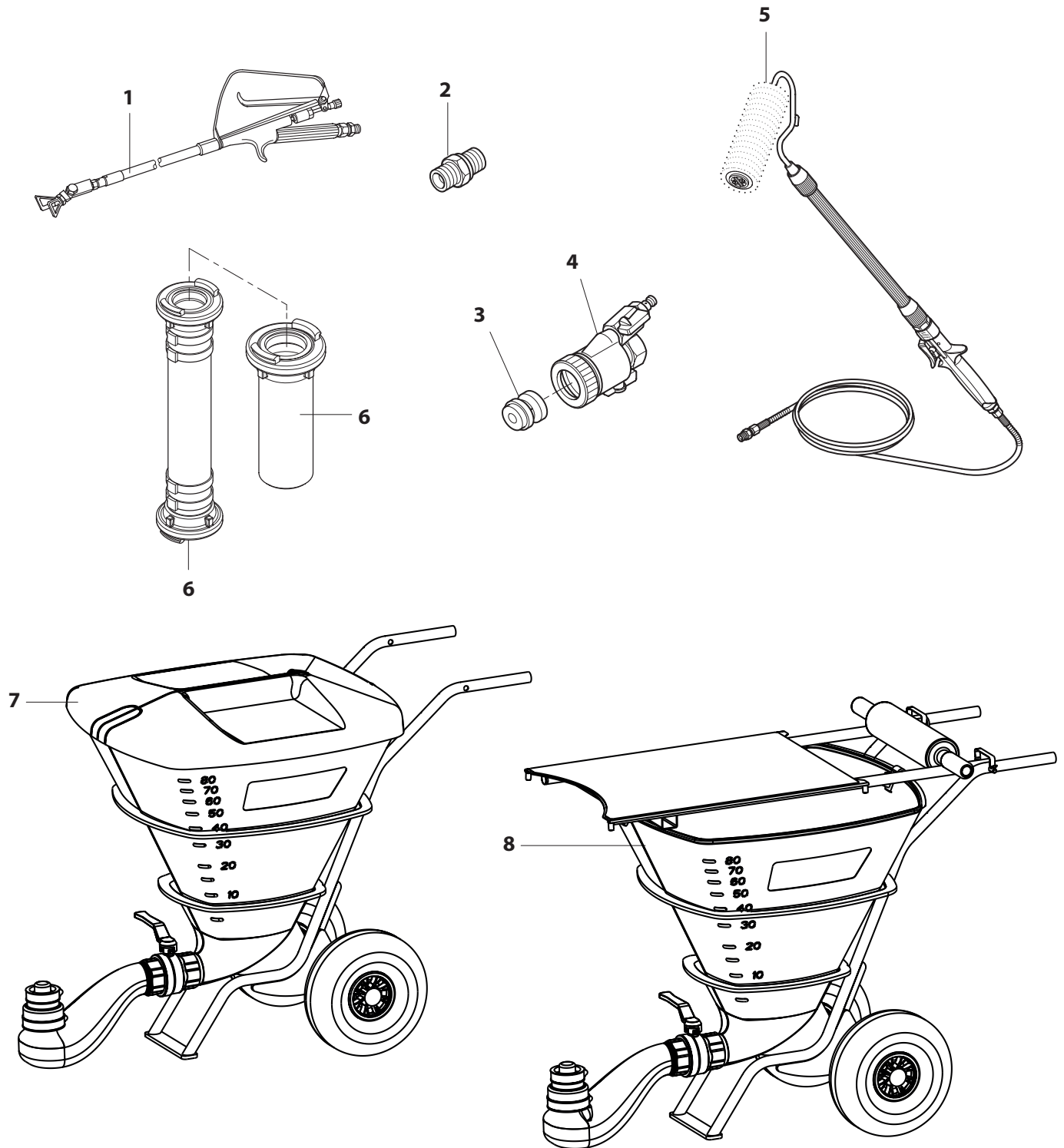
| Pos. | HC 730 • 750 • 770 | Description  | Benennung  | Description  |
|------|--------------------|--|--|--|
| 1    | 0502 166           | Spray gun AG 14, F-thread                                | Spritzpistole AG 14, F-Gewinde                       | Pistolet AG 14, TradeTip 2-F                               |
|      | 0502 119           | Spray gun AG 14, G-thread                                | Spritzpistole AG 14, G-Gewinde                       | Pistolet AG 14, TradeTip 2-G                               |
|      | 0538 019           | Spray gun, Vector Pro                                    | Spritzpistole, Vector Pro                            | Pistolet Vector Pro  |
|      | 0538 026           | Spray gun, Vector Grip                                   | Spritzpistole, Vector Grip                           | Pistolet Vector Grip                                       |
| 2    | 0289 391           | TradeTip 3 tip holder F                                  | TradeTip 3 Tip Halter, F-Gewinde                     | Porte buse F TradeTip 3                                    |
|      | 0289 390           | TradeTip 3 tip holder G                                  | TradeTip 3 Tip Halter, G-Gewinde                     | Porte buse G TradeTip 3                                    |
| 3    | 0553 xxx           | Wagner TradeTip 3  | Wagner TradeTip 3                                    | Wagner TradeTip 3  |
| 4    | 0271 065           | 2Speed tip holder  | 2Speed Tip Halter                                    | Porte buse 2Speed Tip                                      |
| 5    | 0271 xxx           | Wagner 2Speed Tip  | Wagner 2Speed Tip Düse                               | Wagner 2Speed Tip buse                                     |
| 6    | 0179 732           | Connection socket, 1/4" x 3/8"                           | Übergangsstutzen, 1/4" x 3/8"                        | Raccord 1/4" x 3/8"  |
| 7    | 2336 582           | Hose whip DN 10 mm, 2,5 m, NPSM 3/8                      | Schlauchpeitsche DN 10 mm, 2,5 m, NPSM 3/8           | Fouet du flexible DN 10 mm, 2,5 m, NPSM 3/8                |
| 8    | 3203 026           | Double socket 3/8 inch – 1/2 inch                        | Doppelstutzen 3/8 – 1/2                              | Raccord double 3/8 – 1/2                                   |
|      | 9985 783           | Double socket 3/8 inch – 3/4 inch                        | Doppelstutzen 3/8 – 3/4                              | Raccord double 3/8 – 3/4                                   |
|      | 9985 782           | Double socket 1/2 inch – 3/4 inch                        | Doppelstutzen 1/2 – 3/4                              | Raccord double 1/2 – 3/4                                   |
| 9    | 2336 583           | Special high-pressure hose DN 10 mm, 15 m, NPSM 3/8 inch | Spezial Hochdruckschlauch DN 10 mm, 15 m, NPSM 3/8   | Flexible à haute pression spécial DN 10 mm, 15 m, NPSM 3/8 |
|      | 2336584            | Special high-pressure hose DN 10 mm, 30 m, NPSM 3/8 inch | Spezial Hochdruckschlauch DN 10 mm, 30 m, NPSM 3/8   | Flexible à haute pression spécial DN 10 mm, 30 m, NPSM 3/8 |
|      | 2336 585           | Special high-pressure hose DN 13 mm, 15 m, NPSM 1/2 inch | Spezial Hochdruckschlauch DN 13 mm, 15 m, NPSM 1/2   | Flexible à haute pression spécial DN 13 mm, 15 m, NPSM 1/2 |
|      | 2336 586           | Special high-pressure hose DN 19 mm, 15 m, NPSM 3/4 inch | Spezial-Hochdruckschlauch DN 19 mm, 15 m, NPSM 3/4   | Flexible à haute pression spécial DN 19 mm, 15 m, NPSM 3/4 |
| 10   | 808-550            | Hex fitting, 3/8" (for high-pressure filter)             | Sechskantschraube, 3/8" Anschluss am Hochdruckfilter | Raccord hexagonal, 0,9 cm (filtre à haute pression)        |
|      | 0349610            | Hex fitting, 1/2" (for high-pressure filter)             | Sechskantschraube, 1/2" Anschluss am Hochdruckfilter | Raccord hexagonal, 1,3 cm (filtre à haute pression)        |

ILLUSTRATION DES PIÈCES DE RECHANGE

GB ACCESSORIES FOR HC UNITS II

D ZUBEHÖR FÜR HC-GERÄTE II

F ACCESSOIRES POUR GROUPES HC II





| <b>Pos.</b> | <b>HC 730 • 750 • 770</b> | Description   | Benennung   | Description   |
|-------------|---------------------------|---|---|---|
| <b>1</b>    | 0296 441                  | Pole gun 120 cm, G-Thread   | Auslegerpistole 120 cm, G-Gewinde   | Pistolet à rallonge 120 cm-G  |
|             | 0296 442                  | Pole gun 200 cm, G-Thread   | Auslegerpistole 200 cm G-Gewinde  | Pistolet à rallonge 200 cm-G  |
|             | 0296 443                  | Pole gun 120 cm, F-Thread,  | Auslegerpistole 120 cm F-Gewinde  | Pistolet à rallonge 120 cm-F  |
|             | 0296 444                  | Pole gun 200 cm, F-Thread   | Auslegerpistole 200 cm F-Gewinde  | Pistolet à rallonge 200 cm-F  |
| <b>2</b>    | 9984 567                  | Double socket NPSM 3/8 inch DN10 (for hose extension)   | Doppelstutzen NPSM 3/8 DN10 (für Schlauchverlängerung)  | Raccord double NPSM 3/8 DN10 (pour rallonger le flexible)   |
|             | 0256 343                  | Double socket 3/8 inch (for hose extension)   | Doppelstutzen 3/8 (für Schlauchverlängerung)  | Raccord double 3/8 (pour rallonger le flexible)   |
|             | 3202 901                  | Double socket 1/2 inch (for hose extension)   | Doppelstutzen 1/2 (für Schlauchverlängerung)  | Raccord double 1/2 (pour rallonger le flexible)   |
|             | 9985 781                  | Double socket 3/4 inch (for hose extension)   | Doppelstutzen 3/4 (für Schlauchverlängerung)  | Raccord double 3/4 (pour rallonger le flexible)   |
| <b>3</b>    | 0268 905                  | Texture tip set 4, 6, 8, 10 mm  | Strukturdüsensatz 4, 6, 8, 10 mm  | Jeu de buses de structure 4, 6, 8, 10 mm  |
| <b>4</b>    | 0258 202                  | Spray head for working with Airless filler (sprinkle texture) with air support  | Spritzkopf zur Verarbeitung von Airless-Spachtelmassen (Sprenkelstruktur) mit Luftunterstützung   | Tête de projection pour la mise en œuvre d'enduits à projeter Airless (structure tachetée sous addition d'air)  |
|             | 0258 720                  | Sprinkle texture set: Spray head, texture tip set, tip-cleaning needle and air hose DN 9 mm, 15 m with rapid action coupling (no. fig.) | Sprenkelstruktur-Set: Spritzkopf, Strukturdüsensatz, Düsenreinigungsnadel und Luftschlauch DN 9 mm, 15 m mit Schnellkupplung (ohne Abbildung) | Jeu de projection à structure tachetée: tête de projection, jeu de buses de structure, aiguille de nettoyage de buse, tuyau d'air DN 9 mm, 15 m avec raccord rapide (sans illustration) |
| <b>5</b>    | 0345 010                  | In-line roller IR-100   | Inline Roller IR-100  | Rouleau à alimentation interne IR-100   |
| <b>6</b>    | 2312 160                  | Connection kit for large volume container   | Anschluss-Set für Großmengenbehälter  | Kit de raccordement pour le bac grands volumes  |
| <b>7</b>    | 2374 308                  | Large volume container  | Großmengenbehälter  | Bac grands volumes  |
| <b>8</b>    | 2374 263                  | Large volume container with sack press table  | Großmengenbehälter mit Sackauspresstisch  | Bac grands volumes avec table de pressage de sac  |

## IMPORTANT NOTES ON PRODUCT LIABILITY

As a result of an EC regulation being effective as from January 1, 1990, the manufacturer shall only be liable for his product if all parts come from him or are released by him, and if the devices are properly mounted and operated.

If the user applies outside accessories and spare parts, the manufacturer's liability can fully or partially be inapplicable; in extreme cases usage of the entire device can be prohibited by the competent authorities (employer's liability insurance association and factory inspectorate division).

Only the usage of original WAGNER accessories and spare parts guarantees that all safety regulations are observed.

## 3+2 YEARS GUARANTEE FOR PROFESSIONAL FINISHING

Wagner professional guarantee  
(Status 01.02.2009)

### 1. Scope of guarantee

All Wagner professional colour application devices (hereafter referred to as products) are carefully inspected, tested and are subject to strict checks under Wagner quality assurance. Wagner exclusively issues extended guarantees to commercial or professional users (hereafter referred to as "customer") who have purchased the product in an authorised specialist shop, and which relate to the products listed for that customer on the Internet under [www.wagner-group.com/profi-guarantee](http://www.wagner-group.com/profi-guarantee).

The buyer's claim for liability for defects from the purchase agreement with the seller as well as statutory rights are not impaired by this guarantee.

We provide a guarantee in that we decide whether to replace or repair the product or individual parts, or take the device back and reimburse the purchase price. The costs for materials and working hours are our responsibility. Replaced products or parts become our property.

### 2. Guarantee period and registration

The guarantee period amounts to 36 months. For industrial use or equal wear, such as shift operations in particular, or in the event of rentals it amounts to 12 months.

Systems driven by petrol or air are also guaranteed for a 12 month period.

The guarantee period begins with the day of delivery by the authorised specialist shop. The date on the original purchase document is authoritative.

For all products bought in authorised specialist shops from 01.02.2009 the guarantee period is extended to 24 months providing the buyer of these devices registers in accordance with the following conditions within 4 weeks of the day of delivery by the authorised specialist shop.

Registration can be completed on the Internet under [www.wagner-group.com/profi-guarantee](http://www.wagner-group.com/profi-guarantee). The guarantee certificate is valid as confirmation, as is the original purchase document that carries the date of the purchase. Registration is only possible if the buyer is in agreement with having the data being stored that is entered during registration.

When services are carried out under guarantee the guarantee period for the product is neither extended nor renewed.

Once the guarantee period has expired, claims made against the guarantee or from the guarantee can no longer be enforced.

### 3. Handling

If defects can be seen in the materials, processing or performance of the device during the guarantee period, guarantee claims must be made immediately, or at the latest within a period of 2 weeks.

The authorised specialist shop that delivered the device is entitled to accept guarantee claims. Guarantee claims may also be made to the service centres named in our operating instructions. The product has to be sent without charge or presented together with the original purchase document that includes details of the purchase date and the name of the product. In order to claim for an extension to the guarantee, the guarantee certificate must be included.

The costs as well as the risk of loss or damage to the product in transit or by the centre that accepts the guarantee claims or who delivers the repaired product, are the responsibility of the customer.

### 4. Exclusion of guarantee

Guarantee claims cannot be considered

- for parts that are subject to wear and tear due to use or other natural wear and tear, as well as defects in the product that are a result of natural wear and tear, or wear and tear due to use. This includes in particular cables, valves, packaging, jets, cylinders, pistons, means-carrying housing components, filters, pipes, seals, rotors, stators, etc. Damage due to wear and tear that is caused in particular by sanded coating materials, such as dispersions, plaster, putty, adhesives, glazes, quartz foundation.
- in the event of errors in devices that are due to non-compliance with the operating instructions, unsuitable or unprofessional use, incorrect assembly and/or commissioning by the buyer or by a third party, or utilisation other than is intended, abnormal ambient conditions, unsuitable coating materials, unsuitable operating conditions, operation with the incorrect mains voltage supply/frequency, over-operation or defective servicing or care and/or cleaning.
- for errors in the device that have been caused by using accessory parts, additional components or spare parts that are not original Wagner parts.
- for products to which modifications or additions have been carried out.
- for products where the serial number has been removed or is illegible
- for products to which attempts at repairs have been carried out by unauthorised persons.
- for products with slight deviations from the target properties, which are negligible with regard to the value and usability of the device.
- for products that have been partially or fully taken apart.

### 5. Additional regulations.

The above guarantees apply exclusively to products that have been bought by authorised specialist shops in the EU, CIS, Australia and are used within the reference country.

If the check shows that the case is not a guarantee case, repairs are carried out at the expense of the buyer.

The above regulations manage the legal relationship to us conclusively. Additional claims, in particular for damages and losses of any type, which occur as a result of the product or its use, are excluded from the product liability act except with regard to the area of application.

Claims for liability for defects to the specialist trader remain unaffected.

German law applies to this guarantee. The contractual language is German. In the event that the meaning of the German and a foreign text of this guarantee deviate from one another, the meaning of the German text has priority.

**J. Wagner GmbH**  
**Division Professional Finishing**  
**Otto Lilienthal Strasse 18**  
**88677 Markdorf**  
**Federal Republic of Germany**

## PRÜFUNG DES GERÄTES NACH DEN RICHTLINIEN FÜR FLÜSSIGKEITSSTRAHLER (SPRITZGERÄTE) DER BERUFGENOSSENSCHAFTEN.

Das Gerät ist bei Bedarf, jedoch mindestens alle 12 Monate, durch Sachkundige daraufhin zu prüfen, ob ein sicherer Betrieb weiterhin gewährleistet ist.

Bei stillgelegtem Gerät kann die Prüfung bis zur nächsten Inbetriebnahme hinausgeschoben werden.

Der Betreiber ist verpflichtet, das Gerät zur Prüfung anzumelden.

Wenden Sie sich bitte an die Kundendienststellen der Firma WAGNER.

(Diese Vorschrift gilt nur für Deutschland).

## WICHTIGER HINWEIS ZUR PRODUKTHAFTUNG

Aufgrund einer ab 01.01.1990 gültigen EU-Verordnung haftet der Hersteller nur dann für sein Produkt, wenn alle Teile vom Hersteller stammen oder von diesem freigegeben wurden, bzw. die Geräte sachgemäß montiert und betrieben werden.

Bei Verwendung von fremdem Zubehör und Ersatzteilen kann die Haftung ganz oder teilweise entfallen; in extremen Fällen kann von den zuständigen Behörden (Berufsgenossenschaft und Gewerbeaufsichtsamt) der Gebrauch des gesamten Gerätes untersagt werden.

Mit Original WAGNER Zubehör und Ersatzteilen haben Sie die Gewähr, dass alle Sicherheitsvorschriften erfüllt sind.

## 3+2 JAHRE GARANTIE PROFESSIONAL FINISHING

Wagner Profi-Garantie

(Stand 01.02.2009)

### 1. Garantiumfang

Alle Wagner Profi-Farbauftragsgeräte (im folgenden Produkte genannt) werden sorgfältig geprüft, getestet und unterliegen den strengen Kontrollen der Wagner Qualitätssicherung. Wagner gibt daher ausschließlich dem gewerblichen oder beruflichen Verwender, der das Produkt im autorisierten Fachhandel erworben hat (im folgenden „Kunde“ genannt), eine erweiterte Garantie für die im Internet unter [www.wagner-group.com/profi-guarantee](http://www.wagner-group.com/profi-guarantee) aufgeführten Produkte.

Die Mängelhaftungsansprüche des Käufers aus dem Kaufvertrag mit dem Verkäufer sowie gesetzliche Rechte werden durch diese Garantie nicht eingeschränkt.

Wir leisten Garantie in der Form, dass nach unserer Entscheidung das Produkt oder Einzelteile hier-von ausgetauscht oder repariert werden oder das Gerät gegen Erstattung des Kaufpreises zurückgenommen wird. Die Kosten für Material und Arbeitszeit werden von uns getragen. Ersetzte Produkte oder Teile gehen in unser Eigentum über.

### 2. Garantiezeit und Registrierung

Die Garantiezeit beträgt 36 Monate, bei industriellem Gebrauch oder gleichzusetzender Beanspruchung wie insbesondere Schichtbetrieb oder bei Vermietung 12 Monate.

Für Benzin und Luft betriebene Antriebe gewähren wir ebenso 12 Monate.

Die Garantiezeit beginnt mit dem Tag der Lieferung durch den autorisierten Fachhandel. Maßgebend ist das Datum auf dem Original-Kaufbeleg.

Für alle ab 01.02.2009 beim autorisierten Fachhandel gekauften Produkte verlängert sich die Garantiezeit um 24 Monate, wenn der Käufer diese Geräte innerhalb von 4 Wochen nach dem Tag der Lieferung durch den autorisierten Fachhandel entsprechend den nachfolgenden Bestimmungen registriert.

Die Registrierung erfolgt im Internet unter [www.wagner-group.com/profi-guarantee](http://www.wagner-group.com/profi-guarantee). Als Bestätigung gilt das Garantiezertifikat, sowie der Original-Kaufbeleg, aus dem das Datum des Kaufes hervorgeht. Eine Registrierung ist nur dann möglich, wenn der Käufer sich mit der Speicherung seiner dort einzugebenden Daten einverstanden erklärt.

Durch Garantieleistungen wird die Garantiefrist für das Produkt weder verlängert noch erneuert.

Nach Ablauf der jeweiligen Garantiezeit können Ansprüche gegen und aus der Garantie nicht mehr geltend gemacht werden.

### 3. Abwicklung

Zeigen sich innerhalb der Garantiezeit Fehler in Material, Verarbeitung oder Leistung des Geräts, so sind Garantiesprüche unverzüglich, spätestens jedoch in einer Frist von 2 Wochen geltend zu machen.

Zur Entgegennahme von Garantiesprüchen ist der autorisierte Fachhändler, welcher das Gerät ausgeliefert hat, berechtigt. Die Garantiesprüche können aber auch bei unserer der in der Bedienungsanleitung genannten Servicedienststellen geltend gemacht werden. Das Produkt muss zusammen mit dem Original-Kaufbeleg, der die Angabe des Kaufdatums und der Produktbezeichnung enthalten muss, frei eingesandt oder vorgelegt werden. Zur Inanspruchnahme der Garantieverlängerung muss zusätzlich das Garantiezertifikat beigelegt werden.

Die Kosten sowie das Risiko eines Verlustes oder einer Beschädigung des Produkts auf dem Weg zu oder von der Stelle, welche die Garantiesprüche entgegennimmt oder das instand gesetzte Produkt wieder ausliefert, trägt der Kunde.

### 4. Ausschluss der Garantie

Garantiesprüche können nicht berücksichtigt werden

- für Teile, die einem gebrauchsbedingten oder sonstigen, natürlichen Verschleiß unterliegen, sowie Mängel am Produkt, die auf einen gebrauchsbedingten oder sonstigen natürlichen Verschleiß zurückzuführen sind. Hierzu zählen insbesondere Kabel, Ventile, Packungen, Düsen, Zylinder, Kolben, Medium führende Gehäuseteile, Filter, Schläuche, Dichtungen, Rotoren, Statoren, etc.. Schäden durch Verschleiß werden insbesondere verursacht durch schmirgelnde Beschichtungsmittel, wie beispielsweise Dispersionen, Putze, Spachtel, Kleber, Glasuren, Quarzgrund.
- bei Fehlern an Geräten, die auf Nichtbeachtung von Bedienungshinweisen, ungeeignete oder unsachgemäße Verwendung, fehlerhafte Montage, bzw. Inbetriebsetzung durch den Käufer oder durch Dritte, nicht bestimmungsgemäßen Gebrauch, anomale Umweltbedingungen, un-geeignete Beschichtungsmittel, chemische, elektrochemische oder elektrische Einflüsse, sachfremde Betriebsbedingungen, Betrieb mit falscher Netzspannung/-Frequenz, Überlastung oder mangelnde Wartung oder Pflege bzw. Reinigung zurückzuführen sind.
- bei Fehlern am Gerät, die durch Verwendung von Zubehör-, Ergänzungs- oder Ersatzteilen verursacht wurden, die keine Wagner-Originalteile sind.
- bei Produkten, an denen Veränderungen oder Ergänzungen vorgenommen wurden.
- bei Produkten mit entfernter oder unlesbar gemachter Seriennummer
- bei Produkten, an denen von nicht autorisierten Personen Reparaturversuche durchgeführt wurden.
- bei Produkten mit geringfügigen Abweichungen von der Soll-Beschaffenheit, die für Wert und Gebrauchstauglichkeit des Geräts unerheblich sind.
- bei Produkten, die teilweise oder komplett zerlegt worden sind.

### 5. Ergänzende Regelungen

Obige Garantien gelten ausschließlich für Produkte, die in der EU, GUS, Australien vom autorisierten Fachhandel gekauft und innerhalb des Bezugslandes verwendet werden.

Ergibt die Prüfung, dass kein Garantiefall vorliegt, so geht die Reparatur zu Lasten des Käufers.

Die vorstehenden Bestimmungen regeln das Rechtsverhältnis zu uns abschließend. Weitergehende Ansprüche, insbesondere für Schäden und Verluste gleich welcher Art, die durch das Produkt oder dessen Gebrauch entstehen, sind außer im Anwendungsbereich des Produkthaftungsgesetzes ausgeschlossen.

Mängelhaftungsansprüche gegen den Fachhändler bleiben **unberührt**.

Für diese Garantie gilt deutsches Recht Die Vertragssprache ist deutsch. Im Fall, dass die Bedeutung des deutschen und eines ausländischen Textes dieser Garantie voneinander abweichen, ist die Bedeutung des deutschen Textes vorrangig.

**J. Wagner GmbH**  
**Division Professional Finishing**  
**Otto Lilienthal Strasse 18**  
**88677 Markdorf**  
**Bundesrepublik Deutschland**

## NOTE IMPORTANTE SUR LA RESPONSABILITÉ DE PRODUIT

Suite aux nouvelles directives européennes entrées en vigueur au 01.01.1990, le fabricant n'engage sa responsabilité produit que lorsque l'ensemble des pièces constitutives proviennent bien du fabricant, ou ont été homologuées par ce dernier, et que les dispositifs ou appareils ont été assemblés et utilisés selon les règles de l'art.

En cas d'utilisation d'accessoires et de pièces de rechange de provenance différente, cette responsabilité, ainsi que les recours en garantie risquent d'être annulés entièrement ou en partie; dans les cas extrêmes, les organismes de contrôle officiels concernés (syndicats corporatifs et inspection du travail) sont susceptibles d'interdire purement et simplement l'utilisation de l'appareil ou de l'installation entière.

Avec les accessoires et les pièces de rechange d'origine WAGNER, vous avez la garantie que toutes les réglementations de sécurité sont bien respectées.

## GARANTIE PROFESSIONAL FINISHING DE 3+2 ANS

Garantie professionnelle de Wagner

(Version du 01.02.2009)

### 1. Étendue de la garantie

Tous les applicateurs professionnels de peinture de Wagner (appelés ci-après « Produits ») sont soigneusement vérifiés, testés et soumis aux contrôles rigoureux de l'assurance de la qualité de Wagner. Wagner fournit donc exclusivement à l'utilisateur industriel ou professionnel qui a acheté le produit dans un commerce spécialisé agréé (appelé ci-après « Client »), une garantie étendue aux produits énumérés sur Internet à l'adresse [www.wagner-group.com/profi-guarantee](http://www.wagner-group.com/profi-guarantee).

Les droits de l'acheteur résultant de la garantie des défauts et tirés du contrat de vente avec le vendeur, ainsi que les droits légaux ne sont pas limités par cette garantie.

Nous fournissons une garantie dans la mesure où nous décidons si le produit ou ses pièces détachées sont remplacés ou réparés ou bien si l'appareil est repris contre remboursement du prix d'achat. Nous prenons en charge les coûts du matériel et du temps de travail. Les produits ou les pièces remplacés deviennent notre propriété.

### 2. Période de garantie et enregistrement

La période de garantie est de 36 mois, en cas d'utilisation industrielle ou de sollicitation équivalente, telle que notamment un travail posté, ou en cas de location de 12 mois.

Nous accordons également 12 mois pour les entraînements fonctionnant avec de l'essence et de l'air.

La période de garantie commence le jour de la livraison par le commerce spécialisé agréé. La date indiquée sur l'original du justificatif d'achat fait foi.

Pour tous les produits achetés auprès d'un commerce spécialisé agréé à partir du 01.02.2009, la période de garantie est prolongée de 24 mois, lorsque l'acheteur enregistre ces appareils dans les 4 semaines suivant le jour de la livraison par le commerce spécialisé agréé conformément aux dispositions suivantes.

L'enregistrement s'effectue sur Internet à l'adresse [www.wagner-group.com/profi-guarantee](http://www.wagner-group.com/profi-guarantee). Le certificat de garantie, ainsi que l'original du justificatif d'achat prouvant la date de l'achat servent de confirmation. Un enregistrement est ensuite uniquement possible, lorsque l'acheteur donne son accord à la sauvegarde des données qu'il faut saisir.

La période de garantie du produit n'est ni prolongée ni reconduite par les prestations de garantie.

Après l'expiration de la période de garantie correspondante, il n'est plus possible de revendiquer des droits vis-à-vis de la garantie et résultant de celle-ci.

### 3. Règlement

Si des défauts apparaissent sur le matériel, la finition ou la performance de l'appareil pendant la période de garantie, les droits de garantie doivent être revendiqués immédiatement, au plus tard dans un délai de 2 semaines.

Le commerçant spécialisé agréé qui a livré l'appareil a le droit d'enregistrer les droits de garantie. Mais les droits de garantie peuvent être aussi revendiqués auprès de nos services après-vente cités dans le mode d'emploi. Le produit doit être expédié franco de port ou présenté avec l'original du justificatif d'achat où sont indiquées la date d'achat et la désignation du produit. Le certificat de garantie doit être joint en plus pour bénéficier de la prolongation de la garantie.

Le client supporte les coûts, ainsi que le risque d'une perte ou d'un endommagement du produit au cours du transport vers ou en provenance du service qui enregistre les droits de garantie ou qui renvoie le produit réparé.

### 4. Exclusion de la garantie

Les droits de garantie ne peuvent pas être pris en compte

- Pour les pièces soumises à une usure due à l'utilisation ou une autre usure naturelle, ainsi que les vices du produit résultant d'une usure due à l'utilisation ou une autre usure naturelle. En font notamment partie les câbles, les distributeurs, les emballages, les buses, les vérins, les pistons, les pièces du boîtier où s'écoule le fluide, les filtres, les tuyaux flexibles, les joints d'étanchéité, les rotors, les stators, etc. Les dommages dus à l'usure sont notamment causés par des produits d'enduction abrasifs, tels que par exemple les dispersions, les enduits, les apprêts, les colles, les vernis, une base siliceuse ;
- En cas de défauts sur les appareils qui résultent de la non-observation des consignes d'utilisation, d'une utilisation inappropriée ou incorrecte, d'une mise en service ou d'un montage erroné par l'acheteur ou un tiers, d'un usage non conforme à la destination, de conditions d'environnement anormales, de produits d'enduction inappropriés, d'influences chimiques, électrochimiques ou électriques, de conditions de fonctionnement inadéquates, d'une exploitation avec une mauvaise tension/fréquence du réseau, d'une surcharge, d'une maintenance, d'un entretien ou d'un nettoyage insuffisant ;
- En cas de défauts sur l'appareil qui ont été causés par l'utilisation d'accessoires, de pièces complémentaires ou de rechange qui ne sont pas des pièces originales de Wagner ;
- Dans le cas de produits sur lesquels des modifications ou des compléments ont été effectués ;
- Dans le cas de produits où le numéro de série a été effacé ou rendu illisible ;
- Dans le cas de produits sur lesquels des personnes non autorisées ont effectué des tentatives de réparation ;
- Dans le cas de produits ayant de faibles différences par rapport à l'état de consigne qui importent peu pour la valeur et l'aptitude à l'emploi de l'appareil ;
- Dans le cas de produits qui ont été partiellement ou totalement démontés.

### 5. Clauses complémentaires

Les garanties ci-dessus sont uniquement valables pour les produits qui sont achetés dans l'UE, la CEI, en Australie par un commerce spécialisé agréé et qui sont utilisés dans le pays d'achat.

S'il s'avère que le recours en garantie est injustifié, la réparation est effectuée aux frais de l'acheteur.

Les présentes dispositions règlent votre rapport juridique avec nous de manière définitive. Tous les autres droits, notamment pour les dommages et les pertes de n'importe quel type qui résultent du produit ou de son utilisation, sont exclus sauf dans le champ d'application de la loi sur la responsabilité du fait des produits.

Cela n'affecte pas les droits résultant de la garantie des défauts vis-à-vis du commerçant spécialisé.

Cette garantie est soumise au droit allemand. La langue du contrat est l'allemand. Au cas où la signification du texte de cette garantie en allemand et celle du texte dans une autre langue divergent, la signification du texte en allemand a priorité.

### J. Wagner GmbH

Division Professional Finishing

Otto Lilienthal Strasse 18

88677 Markdorf

République fédérale d'Allemagne

- GB -

Note on disposal:

In observance of the European Directive 2002/96/EC on waste electrical and electronic equipment and implementation in accordance with national law, this product is not to be disposed of together with household waste material but must be recycled in an environmentally friendly way!

Wagner or one of our dealers will take back your used Wagner waste electrical or electronic equipment and will dispose of it for you in an environmentally friendly way. Please ask your local Wagner service centre or dealer for details or contact us direct.



- D -

Entsorgungshinweis:

Gemäß der europäischen Richtlinie 2002/96/EG zur Entsorgung von Elektro-Altgeräten, und deren Umsetzung in nationales Recht, ist dieses Produkt nicht über den Hausmüll zu entsorgen, sondern muss der umweltgerechten Wiederverwertung zugeführt werden!

Ihr Wagner-Altgerät wird von uns, bzw. unseren Handelsvertretungen zurückgenommen und für Sie umweltgerecht entsorgt. Wenden Sie sich in diesem Fall an einen unserer Service-Stützpunkte, bzw. Handelsvertretungen oder direkt an uns.



- F -

Consignes d'élimination:

Selon la directive européenne 2002/96/CE sur l'élimination des vieux appareils électriques et sa conversion en droit national, ce produit ne peut pas être jeté dans les ordures ménagères, mais est à amener à un point de recyclage en vue d'une élimination dans le respect de l'environnement!

Wagner, resp. nos représentations commerciales reprennent votre vieil appareil Wagner pour l'éliminer dans le respect de l'environnement. Adressez-vous donc directement à nos points de service resp. représentations commerciales ou directement à nous.





J. Wagner GmbH Otto-Lilienthal-Str.18 88677 Markdorf Germany

**D**

**CE** Konformitätserklärung  
Airless Hochdruck Spritzgerät,

**GB**

**CE** Declaration of conformity  
Airless high-pressure spraying  
unit

**F**

**CE** Déclaration de conformité  
Appareil de pulvérisation à  
haute pression Airless

**I**

**CE** Dichiarazione di conformità  
Apparecchio di verniciatura a  
spruzzo Airless ad alta  
pressione

### WAGNER HeavyCoat

**HC 750 230V/50Hz; HC 750 SSP 230V/50Hz**

Wir erklären in alleiniger Verantwortung,  
dass dieses Produkt den folgenden  
einschlägigen Bestimmungen entspricht:

**2006/42/EG, 2014/30/EU,  
2011/65/EU, 2012/19/EU**

Angewendete harmonisierte Normen,  
insbesondere:

We declare under sole responsibility that  
this product conforms to the following  
relevant stipulations:

**2006/42/EC, 2014/30/EU,  
2011/65/EU, 2012/19/EU**

Applied harmonized standards, in  
particular:

Nous déclarons sous notre responsabilité  
que ce produit est en conformité avec les  
réglementations suivantes:

**2006/42/CE, 2014/30/UE,  
2011/65/UE, 2012/19/UE**

Normes harmonisées utilisées, notamment:

Dichiariamo sotto la nostra esclusiva  
responsabilità, che il presente prodotto  
corrisponde alle relative disposizioni  
seguenti:

**2006/42/CE, 2014/30/UE,  
2011/65/UE, 2012/19/UE**

Norme armonizzate applicate, in  
particolare:

**EN ISO 12100:2010; EN 1953:2013; EN 60204-1:2006;**

**EN 61000-3-1:2007; EN 61000-6-3:2007+A1:2011; EN 61000-3-2:20014; EN 61000-3-3**

Markdorf, 13.02.2017  
Location, Date

*T. Jeltsch*

T. Jeltsch  
Chief Technology Officer  
Global Product Strategy & Planning

*J. Ulbrich*

J. Ulbrich  
Vice President Engineering  
Dokumentationsverantwortlicher  
Responsible person for documents  
Personne responsable de la documentation  
Responsabile della documentazione





J. Wagner GmbH Otto-Lilienthal-Str.18 88677 Markdorf Germany

**NL**

**CE** Konformiteitsverklaring

**Airless – hogedruk-spuitapparaat**

**DK**

**CE** Konformitetserklæring

**Airless – højtrykssprøjtapparat**

**S**

**CE** Försäkran

**Airless – högtrycksspruta**

**E**

**CE** Declaración de conformidad

**Airless – Equipo de pulverización a alta presión**

**P**

**CE** Declaração de conformidade

**Aparelho de pulverização de alta pressão Airless**

### WAGNER HeavyCoat

#### HC 750 230V/50Hz; HC 750 SSP 230V/50Hz

Wij verklaren dat dit product voldoet aan de volgende normen:

Vi erklærer under almindeligt ansvar, at dette produkt er i overensstemmelse med følgende bestemmelser:

Vi intygar och ansvarar för, att denna produkt överensstämmer med följande norm och dokument:

Pela presente garantimos, soba nossa exclusive responsabilidade, que este produto cumpre com as correspondentes disposições:

**2006/42/EG, 2014/30/EU, 2006/42/EF, 2014/30/EU, 2006/42/EG, 2014/30/EU, 2006/42/CE, 2014/30/UE, 2011/65/EU, 2012/19/UE**

**2006/42/EG, 2014/30/EU, 2006/42/CE, 2014/30/UE, 2011/65/EU, 2012/19/UE**

**2006/42/CE, 2014/30/UE, 2011/65/UE, 2012/19/UE**

Gebruikte geharmoniseerde normen, in het bijzonder:

Harmoniserede standarder, der blev anvendt, i særdeleshed:

Tillämpade harmoniserade standarder, i synnerhet:

Normas armonizadas utilizadas, particularmente:

Normas harmonizadas utilizadas, em particular:

**EN ISO 12100:2010; EN 1953:2013; EN 60204-1:2006;**

**EN 61000-3-1:2007; EN 61000-6-3:2007+A1:2011; EN 61000-3-2:20014; EN 61000-3-3**

Markdorf, 13.02.2017  
Location, Date

*Path. Jurek*

T. Jeltsch  
Chief Technology Officer  
Global Product Strategy & Planning

*J. Ulbrich*

J. Ulbrich  
Vice President Engineering  
Person die verantwoordelijk is voor documentatie  
Der er ansvarlig for dokumentationen  
Person som ansvarar för dokumentation  
Responsable de documentación  
Responsável pela documentação





J. Wagner GmbH Otto-Lilienthal-Str.18 88677 Markdorf Germany

**D**

**CE** Konformitätserklärung  
Airless Hochdruck Spritzgerät,  
benzinbetrieben

**GB**

**CE** Declaration of conformity  
Airless high-pressure spraying  
unit,gas powered

**F**

**CE** Déclaration de conformité  
Appareil de pulvérisation à  
haute pression Airless, à  
essence

**I**

**CE** Dichiarazione di conformità  
Apparecchio di verniciatura a  
spruzzo Airless ad alta  
pressione, azionato a benzina

**WAGNER HeavyCoat  
HC 730, HC 750, HC 770**

Wir erklären in alleiniger Verantwortung,  
dass dieses Produkt den folgenden  
einschlägigen Bestimmungen entspricht:

**2006/42/EG**

Angewendete harmonisierte Normen,  
insbesondere:

We declare under sole responsibility that  
this product conforms to the following  
relevant stipulations:

**2006/42/EC**

Applied harmonized standards, in  
particular:

Nous déclarons sous notre responsabilité  
que ce produit est en conformité avec les  
réglementations suivantes:

**2006/42/CE,**

Normes harmonisée utilisées,notamment:

Dichiariamo sotto la nostra esclusiva  
responsabilità, che il presente prodotto  
corrisponde alle relative disposizioni  
seguenti:

**2006/42/CE**

Norme armonizzate applicate, in  
particolare:

Markdorf, 13.02.2017  
Location, Date

*T. Jeltsch*

T. Jeltsch  
Chief Technology Officer  
Global Product Strategy & Planning

*J. Ulbrich*

J. Ulbrich  
Vice President Engineering  
Dokumentationsverantwortlicher  
Responsible person for documents  
Personne responsable de la documentation  
Responsabile della documentazione



J. Wagner GmbH Otto-Lilienthal-Str.18 88677 Markdorf Germany

**NL**

**CE** Konformiteitsverklaring

**Airless – hogedruk-spuitapparaat, gas aangedreven**

**DK**

**CE** Konformitetserklæring

**Airless – højtrykssprøjtapparat, benzindrevet**

**S**

**CE** Försäkran

**Airless – högttrycksspruta, bensindrift**

**E**

**CE** Declaración de conformidad

**Airless – Equipo de pulverización a alta presión, impulsado por gasolina**

**P**

**CE** Declaração de conformidade

**Aparelho de pulverização de alta pressão Airless, impulsionado a gasolina**

**WAGNER HeavyCoat  
HC 730, HC 750, HC 770**

Wij verklaren dat dit product voldoet aan de volgende normen:

Vi erklærer under almindeligt ansvar, at dette produkt er i overensstemmelse med følgende bestemmelser:

Vi intygar och ansvarar för, att denna produkt överensstämmer med följande norm och dokument:

Pela presente garantimos, soba nossa exclusive responsabilidade, que este produto cumpre com as correspondentes disposições:

**2006/42/EG**

**2006/42/EF**

**2006/42/EG**

**2006/42/CE**

**2006/42/CE**

Gebruikte geharmoniseerde normen, in het bijzonder:

Harmoniserede standarder, der blev anvendt, i saerdeleshed:

Tillämpade harmoniserade standarder, i synnerhet:

Normas armonizadas utilizadas, particularmente:

Normas harmonizadas utilizadas, em particular:

**EN ISO 12100:2010; EN 1953:2013**

Markdorf, 13.02.2017  
Location, Date

*Path. J. J. J.*

Jeltsch  
Chief Technology Officer  
Global Product Strategy & Planning

*J. Ulbrich*

J. Ulbrich  
Vice President Engineering  
Persoon die verantwoordelijk is voor documentatie  
Der er ansvarlig for dokumentationen  
Person som ansvarar för dokumentation  
Responsável de documentação  
Responsável pela documentação



## **Berlin**

J. Wagner GmbH  
Service-Stützpunkt  
Flottenstraße 28-42  
13407 Berlin  
Tel. 0 30/ 41 10 93 86  
Telefax 0 30 / 41 10 93 87

## **Grünstadt**

J. Wagner GmbH  
Service-Stützpunkt  
Dieselstraße 1  
67269 Grünstadt  
Tel. 0 63 59/ 87 27 55 0  
Telefax 0 63 59/ 80 74 80

## **Ratingen**

J. Wagner GmbH  
Service-Stützpunkt  
Siemensstraße 6-10  
40885 Ratingen  
Tel. 0 21 02 / 3 10 37  
Telefax 0 21 02 / 3 43 95

## **Heidersdorf in Sachsen**

J. Wagner GmbH  
Service-Stützpunkt  
Olbernhauer Straße 11  
09526 Heidersdorf  
Tel. 03 73 61 / 1 57 07  
Telefax 03 73 61 / 1 57 08

## **Hannover**

J. Wagner GmbH  
Service-Stützpunkt  
Kornstraße 20  
31535 Neustadt  
Tel. 0 50 32-8 00 06 23  
Telefax 0 50 32-8 00 06 24

## **München**

Jahnke GmbH  
Hochstraße 7  
82024 Taufkirchen  
Tel. 0 89 /6 14 00 22  
Telefax 0 89 / 6 14 04 33  
email: info@airless.de  
www.airless.de

## **Nürnberg**

Grimmer GmbH  
Starenweg 28  
91126 Schwabach  
Tel. 0 91 22 / 7 94 73  
Telefax 0 91 22 / 7 94 75 0  
email: info@grimmer-sc.de  
www.grimmer-sc.de

## **Markdorf – Zentrale**

J. WAGNER GmbH  
Otto-Lilienthal-Straße 18  
88677 Markdorf  
Postfach 11 20  
88669 Markdorf  
Tel. 0 75 44 / 505-0  
Telefax 0 75 44 / 505-1200  
www.wagner-group.com

## **Kundenzentrum**

Tel. 0 75 44 / 505-1666  
Telefax 0 75 44 / 505-1155  
email: kundenzentrum@wagner-group.com

## **Technischer Service**

Tel. 0180 5 59 24 637  
(14 Cent/Minute aus dem deutschen  
Festnetz, Mobilfunk max. 42 Cent/Min)

**WAGNER KONTAKTNETZ DEUTSCHLAND, IM INTERNET ZU FINDEN UNTER: [WWW.WAGNER-GROUP.COM/PROFI](http://WWW.WAGNER-GROUP.COM/PROFI)**

- A** J. Wagner Ges.m.b.H.  
Ottogasse 2/20  
2333 Leopoldsdorf  
Österreich  
Tel. +43/ 2235 / 44 158  
Telefax +43/ 2235 / 44 163  
office@wagner-group.at
- B** WSB Finishing Equipment  
Veilinglaan 56-58  
1861 Meise-Wolvertem  
Belgium  
Tel. +32/2/269 46 75  
Telefax +32/2/269 78 45  
info@wagner-wsb.nl
- CH** Wagner International AG  
Industriestrasse 22  
9450 Altstätten  
Schweiz  
Tel. +41/71 / 7 57 22 11  
Telefax +41/71 / 7 57 22 22  
wagner@wagner-group.ch
- D** J. Wagner GmbH  
Otto-Lilienthal-Straße 18  
D-88677 Markdorf  
Postfach 11 20  
D-88669 Markdorf  
Deutschland  
Tel.: +49 / 75 44 / 505 -1664  
Fax: +49 / 75 44 / 505 -1155  
wagner@wagner-group.com  
www.wagner-group.com
- CZ** E-Coreco s.r.o.  
Na Roudné 102  
301 00 Plzeň  
Czechia  
Tel. +420 734 792 823  
Telefax 420 227 077 364  
info@aplikacebarev.cz
- DK** Wagner Spraytech  
Scandinavia A/S  
Helgeshøj Allé 28  
2630 Taastrup  
Denmark  
Tel. +45/43/ 27 18 18  
Telefax +45/43/ 43 05 28  
wagner@wagner-group.dk
- E** Makimport Herramientas, S.L.  
C/ Méjico nº 6  
Pol. El Descubrimiento  
28806 Alcalá de Henares (Madrid)  
Tel. 902 199 021/ 91 879 72 00  
Telefax 91 883 19 59  
ventas@grupo-k.es  
info@grupo-k.es
- F** Euromair Antony  
S.A.V. Ile-de-France  
12-14, av. F. Sommer  
92160 Antony  
Tel. 01.55.59.92.42  
Telefax +33 (0) 1 69 81 72 57  
conseil.paris@euromair.com
- F** Euromair Distribution  
Siège Social / S.A.V. Sud  
343, bd. F. Perrin  
13106 Rousset Cedex  
Tel. 04.42.29.08.96  
Telefax 04.42.53.44.36  
conseil@euromair.com
- GB** Wagner Spraytech (UK) Limited  
The Coach House  
2 Main Road  
Middleton Cheney OX17 2ND  
Great Britain  
UK-Helpline 01295 714200  
Fax 01295 710100  
enquiries@wagnerspraytech.co.uk
- I** Wagner S.p.A.  
23868 Valmadrera (Lc)  
Via Santa Vecchia, 109  
Italia  
Tel./Fax 0341 210100 (centralino)  
wagner\_it\_va@wagner-group.com
- NL** WSB Finishing Equipment BV  
De Heldinnenlaan 200,  
3543 MB Utrecht  
Netherlands  
Tel. +31/ 30/241 41 55  
Telefax +31/ 30/241 17 87  
info@wagner-wsb.nl
- S** Wagner Spraytech  
Scandinavia A/S  
Helgeshøj Allé 28  
2630 Taastrup  
Denmark  
Tel. +45/43/ 21 18 18  
Telefax +45/43/ 43 05 28  
wagner@wagner-group.dk
- RU** ООО Мефферт Полилюкс  
142407 Россия, Московская обл,  
Ногинский р-н, территория  
«Ногинск-Технопарк» д.14  
Tel. +7 495 221 6666  
Telefax +7 495 99 55 88 2  
2216666@m-p-l.ru  
dis@m-p-l.ru

**www.wagner-group.com**