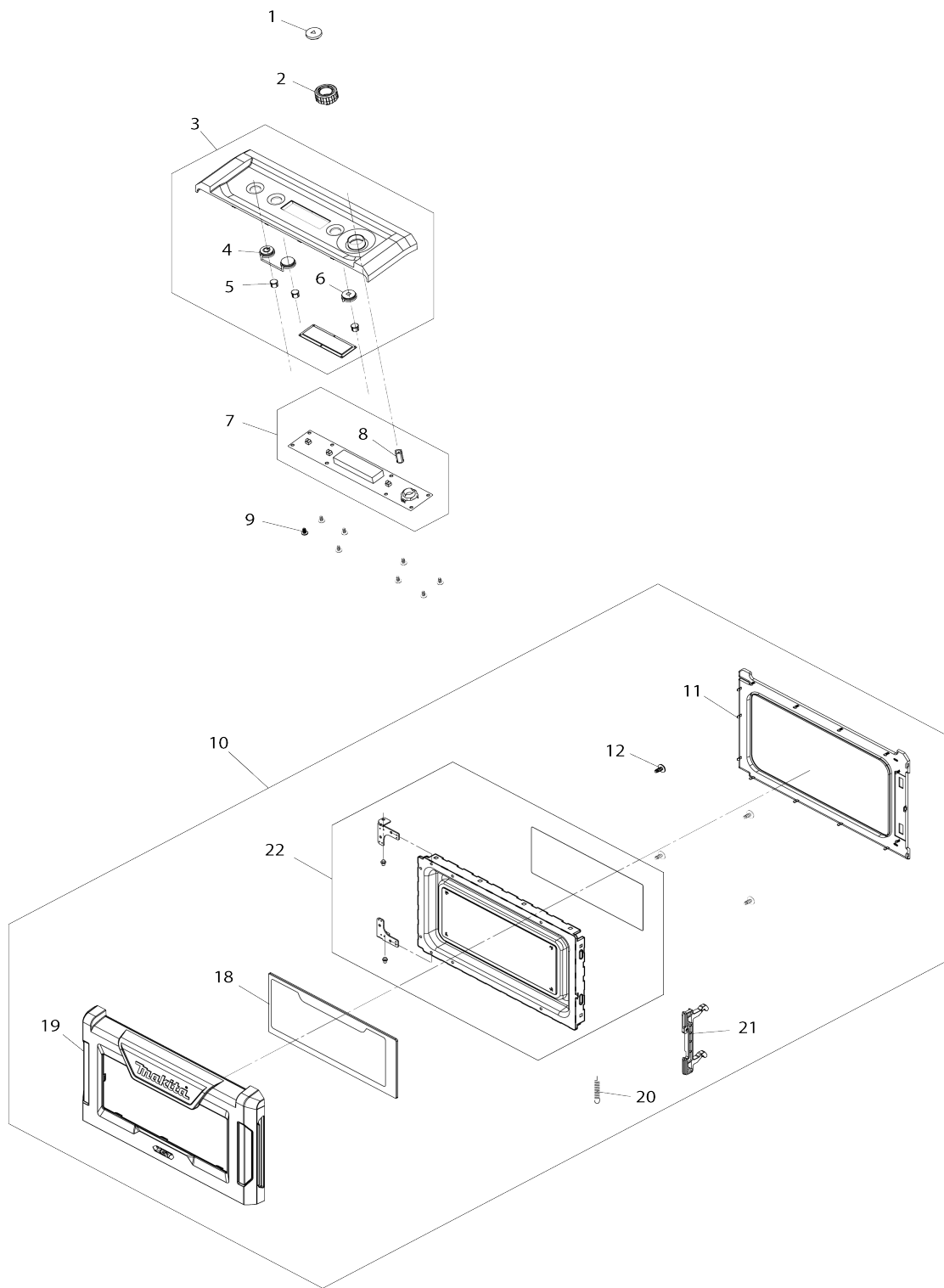
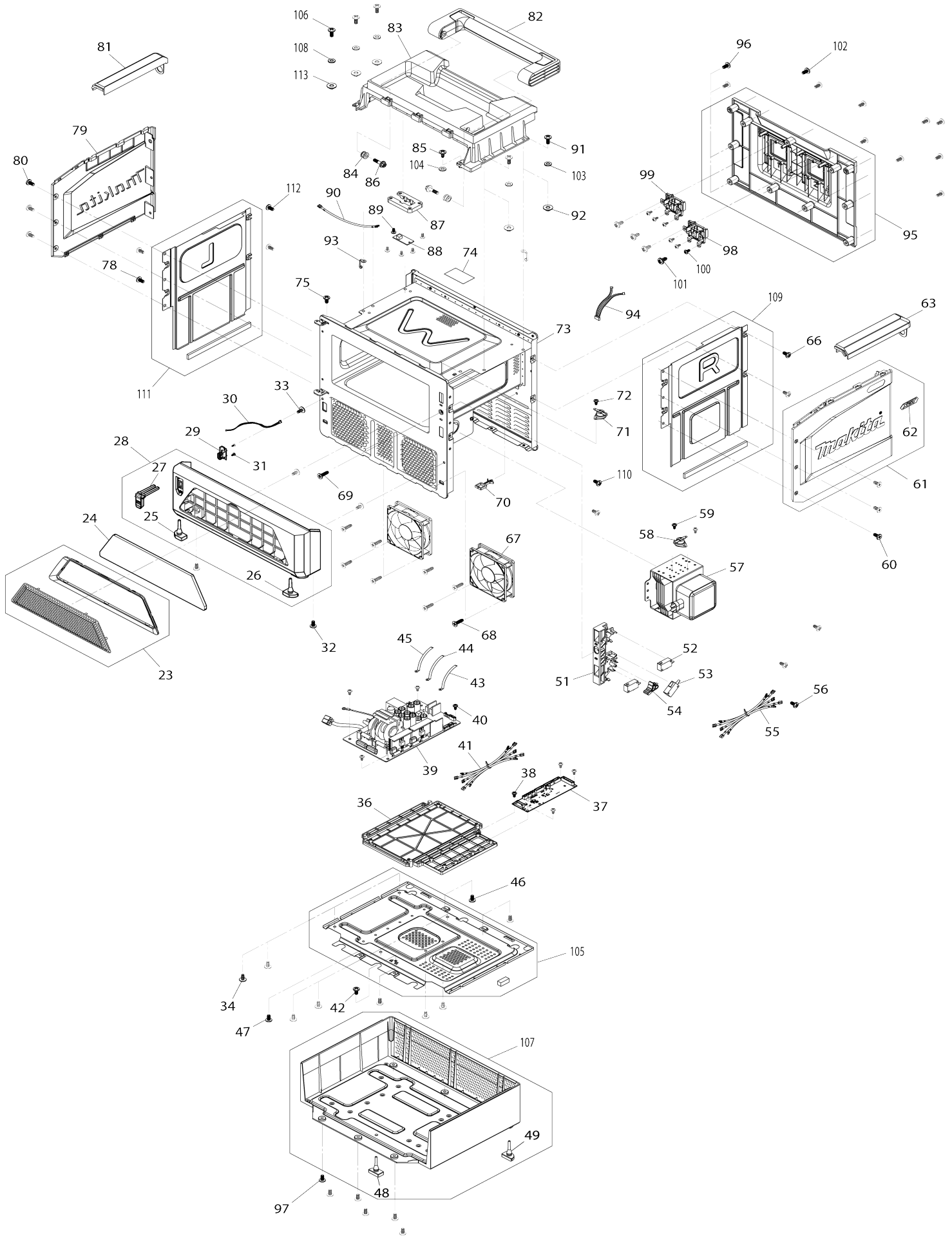


Model No.MW001G CORDLESS MICROWAVE



Model No.MW001G CORDLESS MICROWAVE



Model No.MW001G CORDLESS MICROWAVE

Numéro d'article	N ° de pièces	Description	Interchangeabilité	Q'ty	Nouvelle / ancienne	Note 1	Note 2
001	WL00000334	START BUTTON		1			
002	WL00000335	KNOB		1			
003	WL00000336	CONTROL PANEL ASS'Y		1	*		
D10		INC. 4-6					
003-1	WL00000439	CONTROL PANEL ASS'Y	<	1			
D10		INC. 4-6					
004	WL00000337	POWER BUTTON		1			
005	WL00000338	LIGHT GUIDE		3	*		
005-1	WL00000440	LIGHT GUIDE	<	3			
006	WL00000339	STOP BUTTON		1			
007	WL00000340	CONTROL BOARD ASS'Y		1			
D10		INC. 8					
008	WL00000341	INNER BUTTON		1			
009	WL00000342	SCREW ST3X6		8			
010	WL00000420	DOOR ASS'Y		1			
D10		INC. 11,12,18-22					
011	WL00000344	DOOR GASKET		1			
012	WL00000345	SCREW 4X8		4			
018	WL00000352	DOOR SCREEN		1			
019	WL00000353	DOOR PANEL		1			
020	WL00000354	LATCH SPRING		1			
021	WL00000355	DOOR HOOK		1			
022	WL00000346	DOOR FRAME ASS'Y		1			
023	WL00000356	FILTER BRACKET ASS'Y		1			
024	WL00000357	SPONGE		1			
025	WL00000359	FOOT_L		1			
026	WL00000360	FOOT_R		1			
027	WL00000361	USB COVER		1			
028	WL00000358	VENT GRILLE ASS'Y		1			
D10		INC. 25-27					
029	WL00000362	USB PCB ASS'Y		1			
030	WL00000363	LEAD UNIT USB		1			
031	WL00000342	SCREW ST3X6		2			
032	WL00000364	SCREW CT4X8		2			
033	WL00000345	SCREW 4X8		3			
034	WL00000345	SCREW 4X8		6			
036	WL00000367	INVERTER BRACKET		1			
037	WL00000368	PCB BOARD		1	*		
037-1	WL00000430	PCB BOARD	<	1			
038	WL00000342	SCREW ST3X6		4			
039	WL00000369	POWER BOARD		1			
040	WL00000342	SCREW ST3X6		4			
041	WL00000370	MAIN HARNESS		1			
042	WL00000371	SCREW CT4X5		1			
043	WL00000372	POWER CORD (WHITE)		1			
044	WL00000373	POWER CORD (BLACK)		1			
045	WL00000374	POWER CORD (RED)		1			

046	WL00000364	SCREW CT4X8		2		
047	WL00000364	SCREW CT4X8		2		
048	WL00000360	FOOT_R		1		
049	WL00000359	FOOT_L		1		
051	WL00000377	LATCH BRACKET		1		
052	WL00000378	MICROSWITCH A		2		
053	WL00000379	MICROSWITCH B		1		
054	WL00000380	LATCH LEVER		1		
055	WL00000381	LEAD UNIT LATCH ASS'Y		1		
056	WL00000364	SCREW CT4X8		3		
057	WL00000382	MAGNETRON		1		
058	WL00000383	THERMOSTAT		1		
059	WL00000342	SCREW ST3X6		2		
060	WL00000384	SCREW CB4X8		3		
061	WL00000385	RIGHT COVER ASS'Y		1		
D10		INC. 62				
062	WL00000386	XGT LOGO LABEL		1		
063	WL00000387	UPPER COVER_R		1		
066	WL00000364	SCREW CT4X8		2		
067	WL00000391	FAN MOTOR		2		
068	WL00000392	SCREW CT5X16		8		
069	WL00000393	SCREW ST4X12		1		
070	WL00000394	WIRE HOLDER		2		
071	WL00000395	THERMOSTAT		1		
072	WL00000342	SCREW ST3X6		1		
073	WL00000396	CAVITY ASS'Y		1		
074	WL00000397	LAMP COVER		1		
075	WL00000364	SCREW CT4X8		1		
078	WL00000364	SCREW CT4X8		2		
079	WL00000400	LEFT COVER		1		
080	WL00000384	SCREW CB4X8		3		
081	WL00000401	UPPER COVER_L		1		
082	WL00000402	RAISER HANDLE		1		
083	WL00000403	HANDLE SUPPORT		1		
084	WL00000404	HANDLE WASHER		2		
085	WL00000345	SCREW 4X8		1		
086	WL00000405	SCREW ST6X22		2		
087	WL00000406	LAMP BRACKET		1		
088	WL00000407	LAMP BOARD		1		
089	WL00000342	SCREW ST3X6		5		
090	WL00000408	MAIN HARNESS FOR LAMP		1		
091	WL00000409	SCREW CT4X10		2		
092	WL00000410	NUT M4		2		
093	WL00000411	WIRE HOLDER		2		
094	WL00000413	MAIN HARNESS FOR COMMUNIC ATION		1		
095	WL00000412	BACK COVER ASS'Y		1		
096	WL00000364	SCREW CT4X8		2		
097	WL00000364	SCREW CT4X8		6		
098	WL00000414	BATTERY SOCKET ASS'Y(BLACK)		1		
099	WL00000415	BATTERY SOCKET ASS'Y(WHITE)		1		
100	WL00000342	SCREW ST3X6		6		

101	WL00000343	SCREW CT4X6		4		
102	WL00000364	SCREW CT4X8		9		
103	WL00000419	WASHER 4.3X9X1.0		2		
104	WL00000419	WASHER 4.3X9X1.0		1		
105	WL00000365	LOWER SHIELD ASS'Y		1		
106	WL00000409	SCREW CT4X10		3		
107	WL00000375	BOTTOM COVER ASS'Y		1		
D10		INC. 48,49				
108	WL00000419	WASHER 4.3X9X1.0		3		
109	WL00000388	RIGHT SHIELD ASS'Y		1		
110	WL00000364	SCREW CT4X8		2		
111	WL00000398	LEFT SHIELD ASS'Y		1		
112	WL00000364	SCREW CT4X8		2		
113	WL00000410	NUT M4		3		

Veuillez indiquer les pièces n ° lorsque votre commande.

Date d'impression 09/09/2024