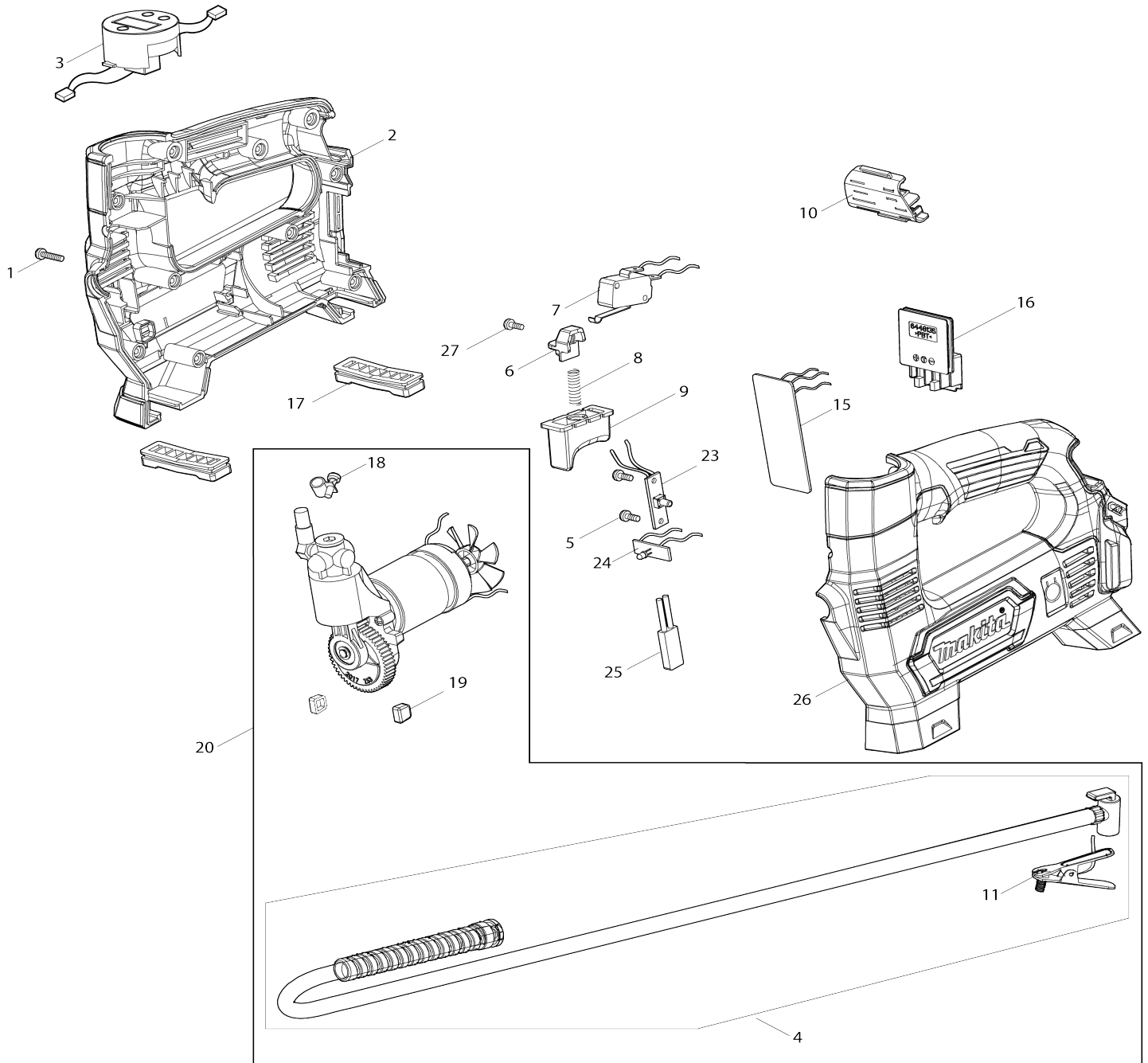


Model No.MP100D CORDLESS INFLATOR



Model No.MP100D CORDLESS INFLACTOR

Numéro d'article	N ° de pièces	Description	Intercangeabilité	Q'ty	Nouvelle / ancienne	Note 1	Note 2
001	TE00000324	SCREW 3*14		10			
002	TE00000351	HOUSING SET		1	*		
002		INC. 26			*		
002-1	TE00000484	HOUSING SET	O	1			
002-1		INC. 26					
003	TE00000326	DIGITAL DISPLAY		1	*		
003-1	TE00000629	DIGITAL DISPLAY	O	1			
004	TE00000345	AIR PIPE ASSEMBLY(6MM)		1			
004		INC. 11					
004A_	TE00000638	AIR PIPE ASSEMBLY(8MM)		1			
004A_		INC. 11					
005	TE00000327	SCREW 3*10		2			
006	TE00000328	TRIGGER SPRING-FIXED BLOCK		1			
007	TE00000329	SWITCH		1	*		
007-1	TE00000485	SWITCH TRIGGER	O	1	*		
007-2	TE00000329	SWITCH	X	1			
008	TE00000330	SPRING		1			
009	TE00000331	SWITCH TRIGGER		1	*		
009-1	TE00000485	SWITCH TRIGGER	O	1			
010	TE00000332	FIXED BRACKET		1			
011	TE00000346	BRITISH ADAPTER		1	*		
011-1	TE00000597	BRITISH ADAPTER	<	1			
012	TE00000333	SWIM RING ADAPTER		1	*		
013	TE00000334	FRENCH ADAPTER		1	*		
014	TE00000335	BALL ADAPTER		1	*		
015	TE00000336	PCB		1			
016	TE00000337	BATTERY TERMINAL		1			
017	TE00000338	MAT		2			
018	TE00000352	CLAMP		1			
019	TE00000339	RUBBER(CYLINDER)		1			
020	TE00000340	MOTOR ASSEMBLY		1	*		
020		INC. 4,18,19			*		
020-1	TE00000478	MOTOR ASSEMBLY	>	1	*		
020-1		INC. 28			*		
020-2	TE00000640	MOTOR ASSEMBLY	X	1			
020-2		INC. 4,28					
023	TE00000341	POWER ON/OFF		1	*		
023-1	TE00000835	POWER ON/OFF	O	1			
024	TE00000342	LED PCB		1	*		
024-1	TE00000836	LED PCB	O	1			
025	TE00000343	TERMINAL PROTECTOR		1			
026	TE00000351	HOUSING SET		1	*		
026		INC. 2			*		
026-1	TE00000484	HOUSING SET	O	1			
026-1		INC. 2					
027	TE00000327	SCREW 3*10		1			
028	TE00000477	CONNECTING WIRE		1			

A01	TE00000333	SWIM RING ADAPTER		1			
A02	TE00000334	FRENCH ADAPTER		1	*		
A02-1	TE00000594	FRENCH ADAPTER	<	1			
A03	TE00000335	BALL ADAPTER		1	*		
A03-1	TE00000592	BALL ADAPTER	<	1			

Veuillez indiquer les pièces n ° lorsque votre commande.

Date d'impression 28/10/2024