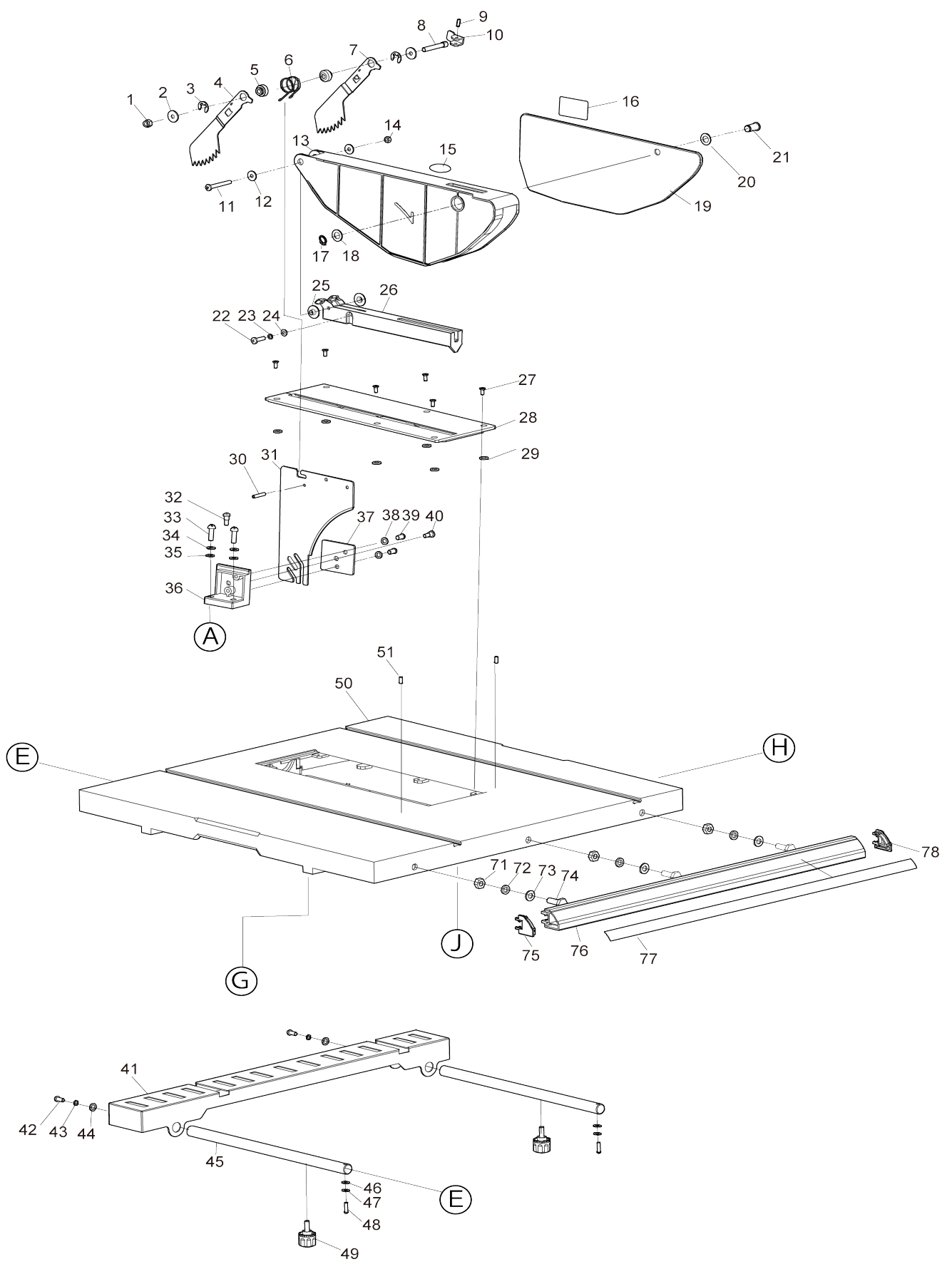
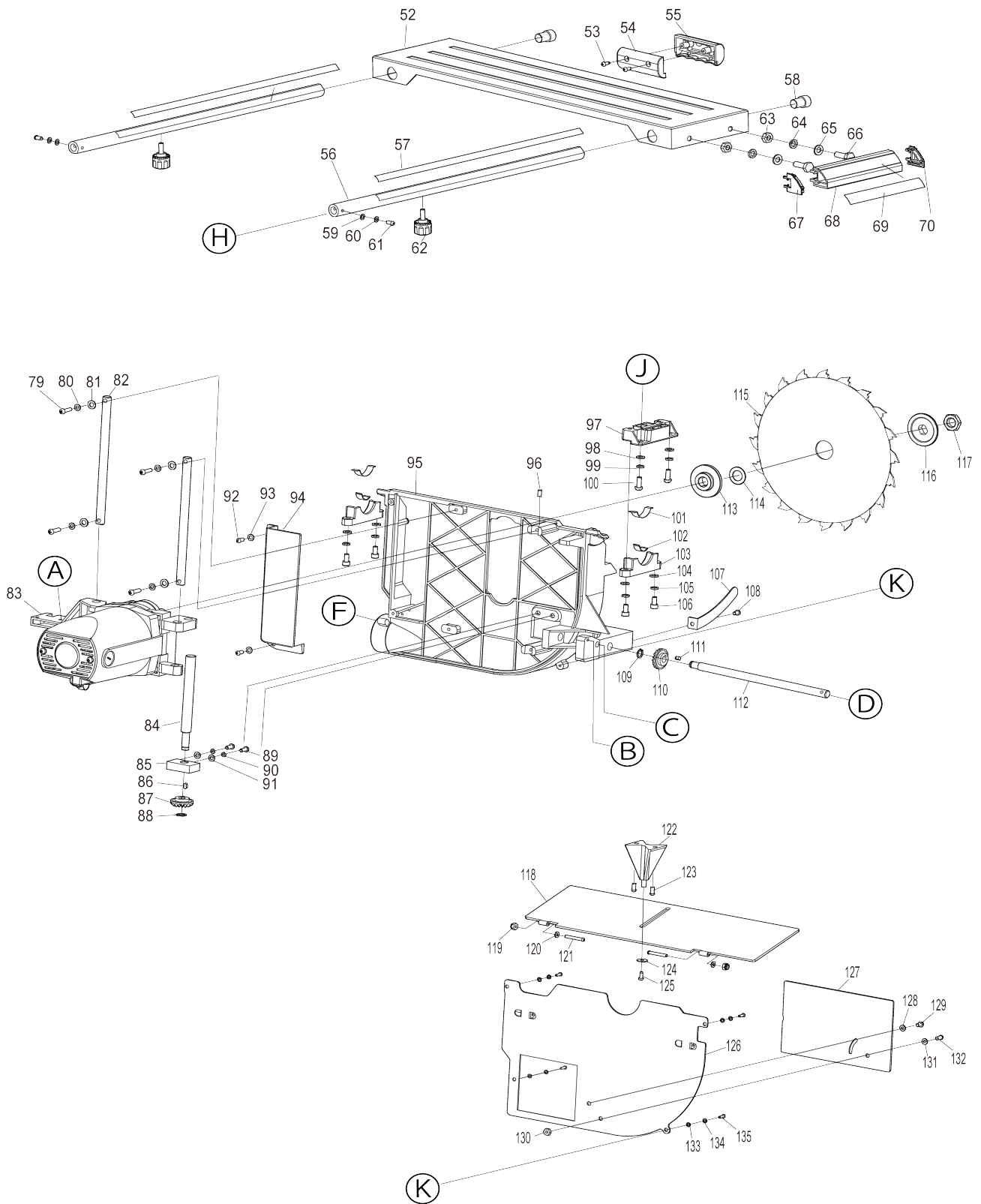


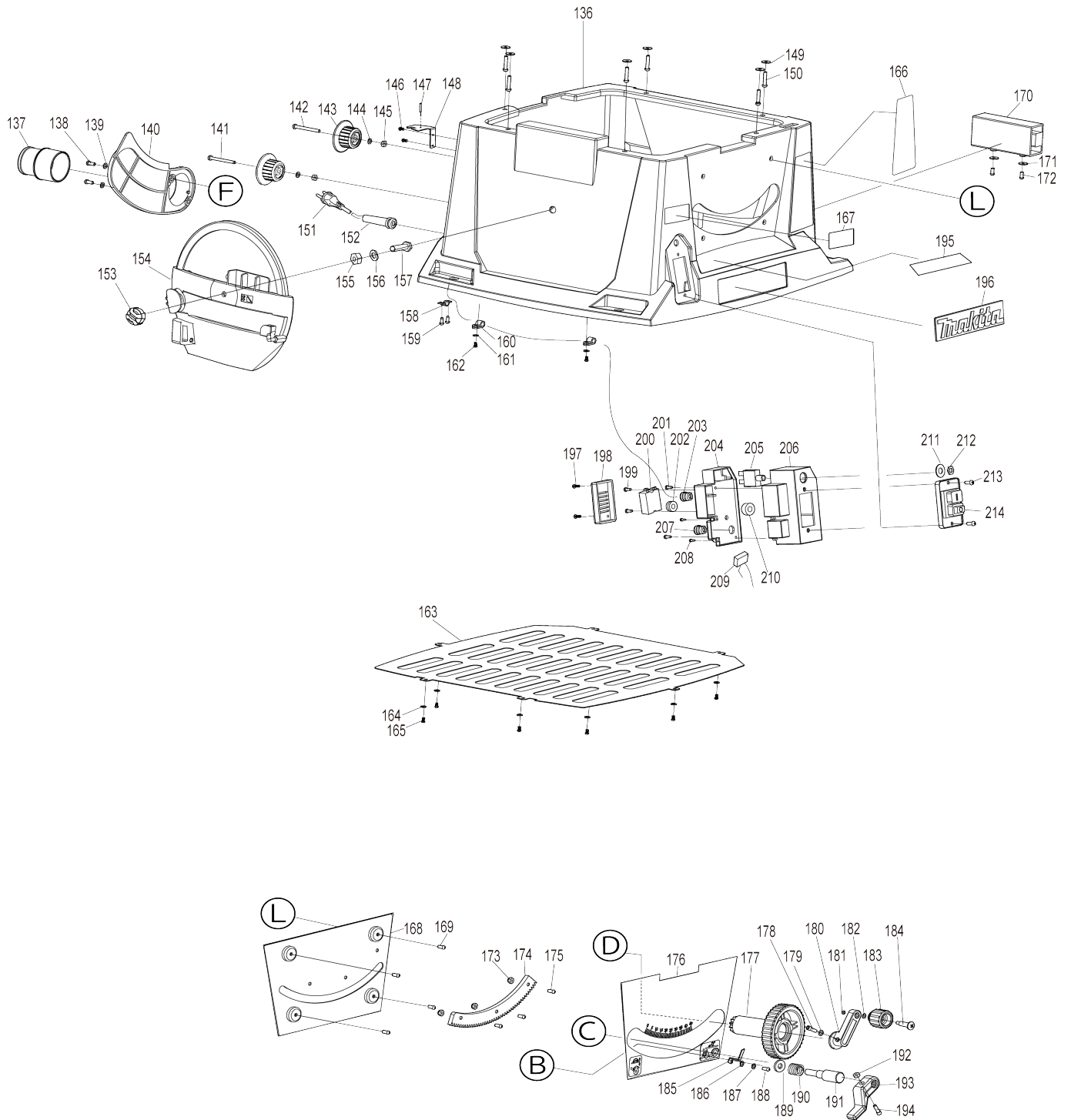
Model No.MLT100N 260MM TABLE SAW



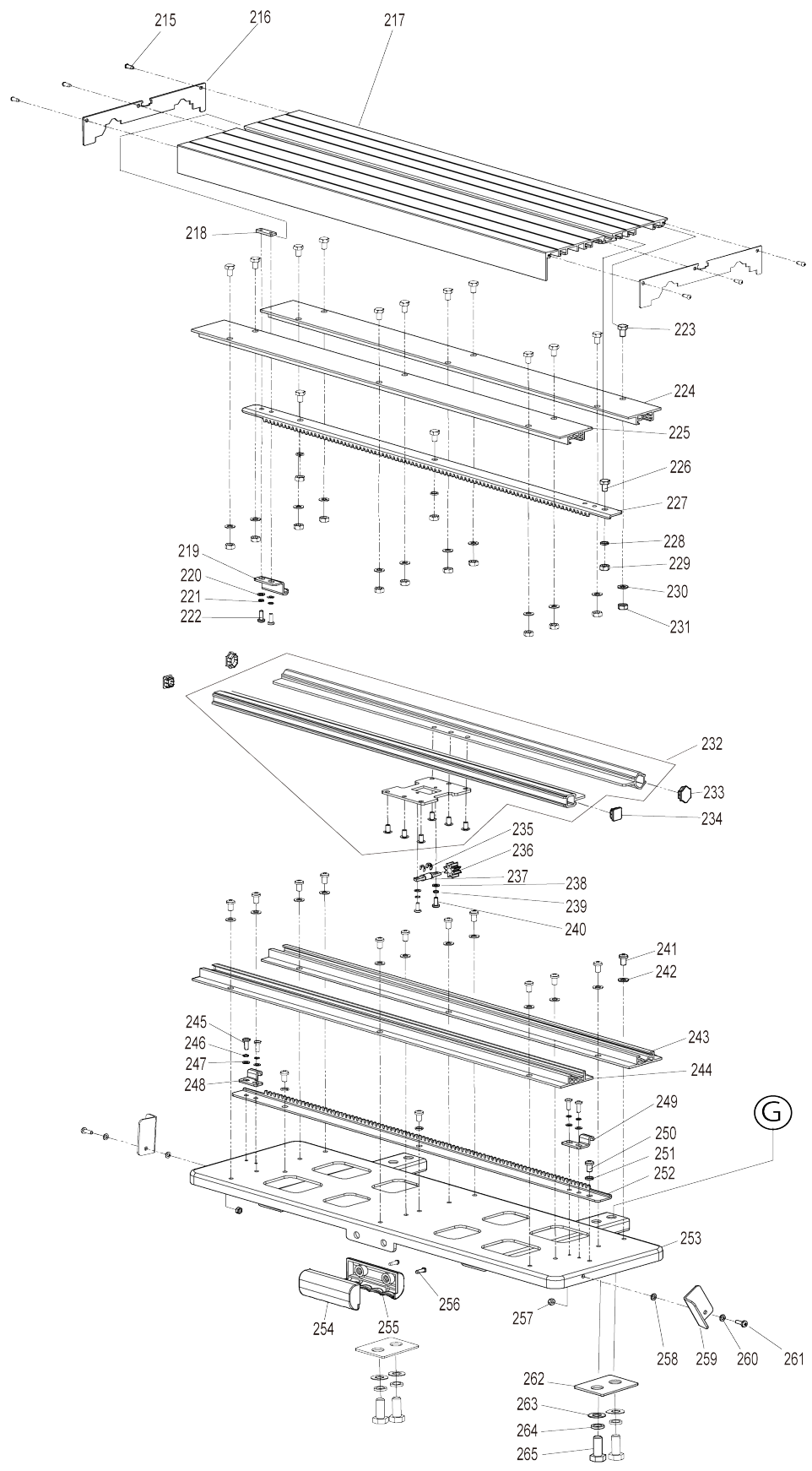
Model No. MLT100N 260MM TABLE SAW



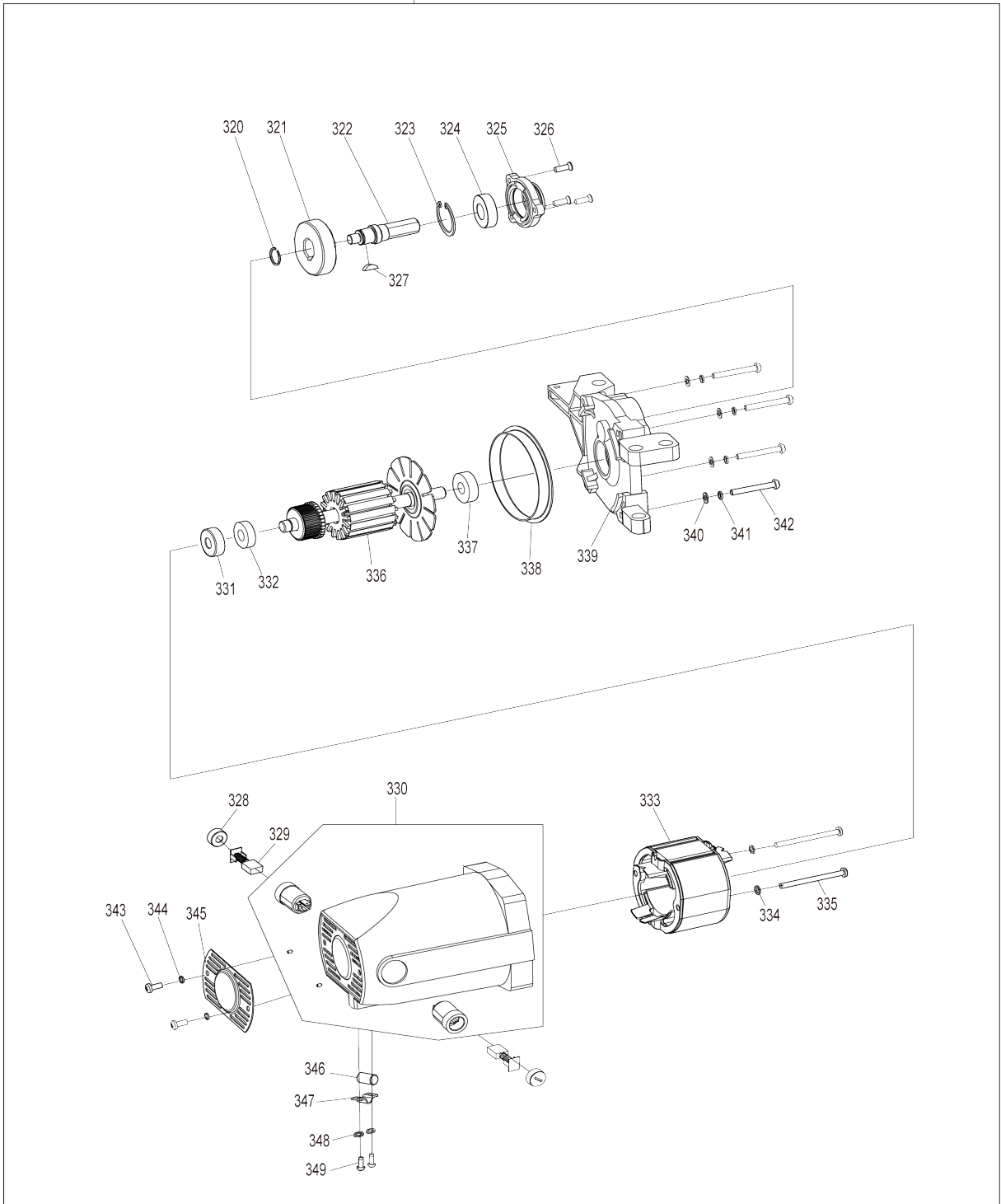
Model No.MLT100N 260MM TABLE SAW



Model No. MLT100N 260MM TABLE SAW



83



Model No.MLT100N 260MM TABLE SAW

Numéro d'article	N ° de pièces	Description	Interchangeabilité	Q'ty	Nouvelle / ancienne	Note 1	Note 2
001	JM27000051	ECROU M6		1			
002	JM27000055	RONDELLE		2			
003	JM00000198	E SHAPE RETAINING RING E-10		2			
004	JM00000059	ANTI KICKBACK PAWL LEFT		1			
005	JM00000057	SPACER RING 6		2			
006	JM00000058	TORSION SPRING		1			
007	JM00000056	ANTI KICKBACK PAWL RIGHT		1			
008	JM00000055	TENSION BOLT M6X47		1			
009	JM27000059	AXE		1			
010	JM27000061	CLE		1			
011	JM00000052	TAMPERPROOF STEPPED BOLT M5X47		1			
012	JM27000055	RONDELLE		2			
013	JM00000054	BLADE GUARD		1			
014	JM27000183	ECROU M5		1			
015	JM2708B060	CAUTION LABEL		1			
016	JM27080108	LABEL(RIVING KNIFE SETTING)		1			
017	JM27000163	ANNEAU 10		1			
018	JM27000064	RONDELLE A		1			
019	JM00000053	SUB BLADE GUARD		1			
020	JM27000064	RONDELLE A		1			
021	JM27000063	AXE		1			
022	JM27000156	VIS M5X20		1			
023	JM27000048	RONDELLE 5		1			
024	JM27000155	RONDELLE PLATE 5		1			
025	JM27000352	RONDELLE		2			
026	JM00000051	BLADE GUARD STAND		1			
027	JM27000066	VIS M4X8		6			
028	JM27000067	PLAQUE		1			
029	JM27000453	O-RING 2.5X1.5		6			
030	JM00000049	SPRING PIN 4X25		1			
031	JM00000048	RIVING KNIFE		1			
032	JM00000047	TAMPERPROOF STEPPED BOLT M5X20		1			
033	JM27000149	VIS M6X20		2			
034	JM27000017	RONDELLE 6		2			
035	JM27000024	RONDELLE PLATE 6		2			
036	JM27000148	SUPPORT		1	*		
036-1	JM00000417	BRACKET FOR RIVING KNIFE	X	1			
037	JM27000151	PLAQUE		1	*		
037-1	JM00000418	FIX PLATE FOR RIVING KNIFE	X	1			
038	JM27000017	RONDELLE 6		2			
039	JM27000149	VIS M6X20		2			
040	JM00000046	TAMPERPROOF STEPPED BOLT M5X15		1			
041	JM27000045	REAR EXTENSION TABLE		1	*		
041-1	JM00000262	REAR EXTENSION TABLE	X	1			
042	JM27000167	VIS M5X12		2			

043	JM27000048	RONDELLE 5		2		
044	JM27000047	RONDELLE PLATE 5		2		
045	JM27000044	BARRE COULISSANTE B		2		
046	JM27000155	RONDELLE PLATE 5		2		
047	JM27000048	RONDELLE 5		2		
048	JM27000167	VIS M5X12		2		
049	JM27000043	BOUTON DE BLOCAGE		2		
050	JM00000003	MAIN TABLE B COMPLETE		1	*	
050-1	JM00000261	MAIN TABLE B COMPLETE	O	1		
051	JM27000339	VIS M6X20 AVEC COLLE		2		
052	JM27000068	RALLONGE DROITE		1	*	
052-1	JM00000263	RIGHT EXTENSION TABLE	O	1		
053	JM27000004	VIS		2		
054	JM27000006	DEMI POIGNEE INTERIEURE		1		
055	JM27000005	DEMI POIGNEE EXTERIEURE		1		
056	JM27000425	BARRE COULISSANTE A		2		
057	JM27000428	REGLE DE MESURE		2		
058	JM27000069	VIS M14X20		2		
059	JM27000155	RONDELLE PLATE 5		2		
060	JM27000048	RONDELLE 5		2		
061	JM27000167	VIS M5X12		2		
062	JM27000043	BOUTON DE BLOCAGE		2		
063	JM27000070	ECROU M8		2		
064	JM27000071	RONDELLE 8		2		
065	JM27000072	RONDELLE PLATE 8		2		
066	JM27000073	VIS M8X25		2		
067	JM27000078	PROTECTION B		1		
068	JM27000075	RAIL AVANT		1		
069	JM27000335	SCALE LABEL EX-TABLE (METRIC)		1		
070	JM27000074	PROTECTION A		1		
071	JM27000070	ECROU M8		3		
072	JM27000071	RONDELLE 8		3		
073	JM27000072	RONDELLE PLATE 8		3		
074	JM27000073	VIS M8X25		3		
075	JM27000078	PROTECTION B		1		
076	JM27000082	RAIL AVANT		1		
077	JM27000333	SCALE LABEL (METRIC)		1		
078	JM27000074	PROTECTION A		1		
079	JM27000156	VIS M5X20		4		
080	JM27000048	RONDELLE 5		4		
081	JM27000155	RONDELLE PLATE 5		4		
082	JM27000157	BARRE		2		
083	JM27000147	MOTEUR 230V		1		
D10		INC. 320-349				
D11		INC. 320-330,333-336,338-349				
084	JM27000158	BIELLE		1		
085	JM27000160	SUPPORT		1		
086	JM27000159	CLE 4X8		1		
087	JM27000162	PIGNON		1		
088	JM27000163	ANNEAU 10		1		
089	JM27000161	VIS M5X20		2		
090	JM27000048	RONDELLE 5		2		

091	JM27000155	RONDELLE PLATE 5		2		
092	JM27000042	VIS M5X10		2		
093	JM27000155	RONDELLE PLATE 5		2		
094	JM27000154	COUVERCLE		1		
095	JM27000153	CADRE		1		
096	JM27000172	VIS M6X12 AVEC COLLE		1		
097	JM27000112	SUPPORT B		1		
098	JM27000024	RONDELLE PLATE 6		2		
099	JM27000017	RONDELLE 6		2		
100	JM27000111	VIS M6X16		2		
101	JM27000152	PLAQUE MOBILE		2		
102	JM27000173	PLAQUE		2		
103	JM27000039	SUPPORT FIXE A		2		
104	JM27000024	RONDELLE PLATE 6		4		
105	JM27000017	RONDELLE 6		4		
106	JM27000038	VIS M6X16		4		
107	JM27000170	PLAQUE DE PROTECTION		1		
108	JM27000042	VIS M5X10		1		
109	JM27000163	ANNEAU 10		1		
110	JM27000162	PIGNON		1		
111	JM27000159	CLE 4X8		1		
112	JM27000165	BIELLE		1		
113	JM27000171	FLASQUE INTERIEURE		1		
114	JM27000100	ANNEAU		1		
115	JM27000097	LAME 260X30.0		1	*	
115-1	JM00000385	SAW BLADE 260X30	O	1		
116	JM27000179	FLASQUE EXTERIEURE		1		
117	JM27000180	ECROU M16		1		
118	JM27000178	PLAQUE DE PROTECTION		1		
119	JM27000176	ECROU M3		2		
120	JM27000175	RONDELLE 3		2		
121	JM27000174	VIS M3X25		2		
122	JM27000184	SUPPORT		1		
123	JM27000042	VIS M5X10		2		
124	JM27000109	RONDELLE 4		1		
125	JM27000177	VIS ST3.9X10		1		
126	JM27000181	PLAQUE DE PROTECTION		1		
127	JM27000182	PLAQUE		1		
128	JM27000047	RONDELLE PLATE 5		1		
129	JM27000042	VIS M5X10		1		
130	JM27000183	ECROU M5		1		
131	JM27000047	RONDELLE PLATE 5		1		
132	JM27000042	VIS M5X10		1		
133	JM27000009	RONDELLE PLATE 4		4		
134	JM27000013	RONDELLE 4		4		
135	JM27000027	VIS M4X10		4		
136	JM27000106	CABINET CPL (A)		1		
137	JM27000090	EMBOUT POUSSIERES		1		
138	JM27000011	VIS M4X12		2		
139	JM27000009	RONDELLE PLATE 4		2		
140	JM27000089	PLAQUE DE PROTECTION		1		

141	JM27000092	VIS M5X55		1		
142	JM27000091	VIS M5X65		1		
143	JM27000093	SUPPORT CABLE		2		
144	JM27000024	RONDELLE PLATE 6		2		
145	JM27000032	ECROU M6		2		
146	JM27000177	VIS ST3.9X10		2		
147	JM00000049	SPRING PIN 4X25		1		
148	JM00000050	ANTI KICKBACK PAWL HANGER		1		
149	JM27000047	RONDELLE PLATE 5		6		
150	JM27000156	VIS M5X20		6		
151	JM23000156	CABLE D'ALIMENTATION		1		
152	JM27000094	TUBE DE PROTECTION CABLE		1		
153	JM27000085	BOUTON DE BLOCAGE A		1		
154	JM00000147	TOOL CASE ASSY		1		
155	JM00000135	HEX NUT M10		1		
156	JM27000003	RONDELLE PLATE 10		1		
157	JM27000104	VIS M10X45		1		
158	JM27000102	PLAQUE		1		
159	JM27000103	VIS		2		
160	JM27000332	SUPPORT		2		
161	JM27000109	RONDELLE 4		2		
162	JM27000004	VIS		2		
163	JM27000108	BASE		1		
164	JM27000109	RONDELLE 4		6		
165	JM27000004	VIS		6		
167	JM00000009	NAME PLATE		1		
168	JM27000143	PLAQUE		1		
169	JM27000144	VIS M5X8		4		
170	JM27000145	TUBE DE PROTECTION CABLE		1		
171	JM27000109	RONDELLE 4		2		
172	JM27000004	VIS		2		
173	JM27000183	ECROU M5		3		
174	JM27000142	SUPPORT		1		
175	JM27000317	VIS M5X16		3		
176	JM27000110	MARQUAGE		1		
177	JM27000166	ROUE		1		
178	JM27000167	VIS M5X12		1		
179	JM27000155	RONDELLE PLATE 5		1		
180	JM00000152	CRANK FOR BLADE LIFTING		1		
181	JM00000151	HEX NUT M5		1		
182	JM27000155	RONDELLE PLATE 5		1		
183	JM00000153	GRIP FOR BLADE LIFTING		1		
184	JM27000169	VIS		1		
185	JM27000164	POINTEAU		1		
186	JM27000009	RONDELLE PLATE 4		1		
187	JM27000013	RONDELLE 4		1		
188	JM27000027	VIS M4X10		1		
189	JM27000141	JOINT		1		
190	JM27000140	RESSORT DE TORSION		1		
191	JM27000139	VIS DE BLOCAGE		1		
192	JM27000032	ECROU M6		1		
193	JM27000138	POIGNEE DE BLOCAGE		1		

194	JM27000137	ECROU M6X12		1		
195	JM27080020	LABEL		1		
196	JM27000113	LOGO LABEL		1		
197	JM27000114	VIS		2		
198	JM27000115	COUVERCLE CONTROLEUR		1		
199	JM27000117	VIS		2		
200	JM27000116	CONTROLEUR		1		
201	JM27000004	VIS		2		
202	JM00000157	GROMMET		1		
203	JM27000118	MAINTIEN CABLE		1		
204	JM27000119	COUVERCLE INTERRUPTEUR		1		
205	JM27000121	INTERRUPTEUR DISJONCTEUR		1		
206	JM27000120	BOITIER D'INTERRUPTEUR		1		
207	JM00000155	CORD CLAMP		1		
208	JM27000114	VIS		2		
209	JM27000342	CONDENSATEUR		1		
210	JM00000134	FERRITE RING		1		
211	JM27000122	LABEL		1		
212	JM27000123	ECROU		1		
213	JM27000136	VIS M4X14		2		
214	JM27000443	INTERRUPTEUR MAGNETIQUE		1		
215	JM27000037	VIS 9X8		6		
216	JM27000036	PROTECTION		2		
217	JM27000035	PLATEAU COULISSANT		1		
218	JM27000034	ECROU		1		
219	JM27000031	SUPPORT PIGNON C		1		
220	JM27000009	RONDELLE PLATE 4		2		
221	JM27000013	RONDELLE 4		2		
222	JM27000011	VIS M4X12		2		
223	JM27000033	VIS M6X10		12		
224	JM27000022	RAIL FIXE		1		
225	JM27000014	RAIL FIXE		1		
226	JM27000033	VIS M6X10		3		
227	JM27000018	RAIL		1		
228	JM27000024	RONDELLE PLATE 6		3		
229	JM27000032	ECROU M6		3		
230	JM27000024	RONDELLE PLATE 6		12		
231	JM27000032	ECROU M6		12		
232	JM00000149	SLIDE RAIL ASSY		1		
233	JM27000021	CAPUCHON RAIL		2		
234	JM27000020	CAPUCHON RAIL		2		
235	JM27000029	ANNEAU 6		2		
236	JM27000025	PIGNON		1		
237	JM27000028	AXE		1		
238	JM27000009	RONDELLE PLATE 4		2		
239	JM27000013	RONDELLE 4		2		
240	JM27000027	VIS M4X10		2		
241	JM27000016	VIS M6X10		12		
242	JM27000024	RONDELLE PLATE 6		12		
243	JM27000022	RAIL FIXE		1		
244	JM27000014	RAIL FIXE		1		

245	JM27000011	VIS M4X12	4		
246	JM27000013	RONDELLE 4	4		
247	JM27000009	RONDELLE PLATE 4	4		
248	JM27000012	SUPPORT B	1		
249	JM27000019	SUPPORT B	1		
250	JM27000016	VIS M6X10	3		
251	JM27000024	RONDELLE PLATE 6	3		
252	JM27000018	RAIL	1		
253	JM27000008	BASE	1		
254	JM27000005	DEMI POIGNEE EXTERIEURE	1		
255	JM27000006	DEMI POIGNEE INTERIEURE	1		
256	JM27000004	VIS	2		
257	JM27000007	ECROU M4	2		
258	JM00000154	WAVE WASHER 4	2		
259	JM27000010	SUPPORT	2		
260	JM27000009	RONDELLE PLATE 4	2		
261	JM27000011	VIS M4X12	2		
262	JM27000327	COUSSINET	2		
263	JM27000003	RONDELLE PLATE 10	4		
264	JM27000002	RONDELLE 10	4		
265	JM27000001	VIS M10X35	4		
266	JM27000217	TIGE FILETEE	1		
267	JM27000218	LIEN	1		
268	JM27000219	PLAQUE	1		
269	JM27000009	RONDELLE PLATE 4	1		
270	JM27000013	RONDELLE 4	1		
271	JM27000027	VIS M4X10	1		
272	JM27000210	ECROU	1		
273	JM27000216	AXE	1		
274	JM27000213	BOUTON DE BLOCAGE	1		
275	JM27000024	RONDELLE PLATE 6	1		
276	JM27000220	BAGUE	1		
277	JM27000221	BUTEE	1		
278	JM27000222	VIS M6X30	2		
279	JM27000220	BAGUE	1		
280	JM27000223	GUIDE A ONGLET	1		
281	JM27000215	POIGNEE	1		
282	JM27000212	RONDELLE	1		
283	JM27000211	RONDELLE 6	2		
284	JM27000203	ECROU	2		
285	JM27000214	LABEL	1		
286	JM27000209	VIS M3X8	1		
287	JM27000208	RONDELLE PLATE 3	1		
288	JM27000207	POINTEAU	1		
289	JM27000210	ECROU	1		
290	JM27000206	BARRE COULISSANTE	1		
291	JM27000225	COUSSINET	1		
292	JM27000066	VIS M4X8	2		
293	JM27000205	BAGUE	1		
294	JM27000201	GUIDE DE REFEND	1		
295	JM27000204	VIS M6X60	2		
296	JM27000200	BAGUE	1		

297	JM27000149	VIS M6X20		2		
298	JM27000017	RONDELLE 6		2		
299	JM27000024	RONDELLE PLATE 6		2		
300	JM27000199	SUPPORT		1		
301	JM27000211	RONDELLE 6		2		
302	JM27000203	ECROU		2		
303	JM27000198	VIS M4X8		1		
304	JM27000009	RONDELLE PLATE 4		1		
305	JM27000197	POINTEAU		1		
306	JM27000190	COUSSINET		1		
307	JM27000066	VIS M4X8		1		
308	JM27000186	POIGNEE		1		
309	JM00000148	RIP FENCE BRACKET ASSY		1	*	
D10		INC. 310-319				
309-1	JM00000265	RIP FENCE BRACKET ASSY	O	1		
D10		INC. 310-319				
310	JM27000192	SUPPORT		1	*	
310-1	JM00000264	RIP FENCE BRACKET	O	1		
311	JM27000191	AXE		1		
312	JM27000024	RONDELLE PLATE 6		1		
313	JM27000196	VIS		1		
314	JM27000188	AXE		1		
315	JM27000187	AXE 3X30		1		
316	JM27000189	ROUE EXCENTRIQUE		1		
317	JM27000194	PATTE		1		
318	JM27000024	RONDELLE PLATE 6		1		
319	JM27000193	RESSORT		1		
320	JM27000325	ANNEAU 16		1		
321	JM27000324	PIGNON		1		
322	JM27000321	AXE EXTERIEUR		1		
323	JM27000320	ANNEAU 35		1		
324	JM27000319	ROULEMENT 6003-2Z		1		
325	JM27000318	CARTER PIGNON		1		
326	JM27000317	VIS M5X16		3		
327	JM27000323	CLE 5X6.5X16		1		
328	JM27000294	COUVERCLE CHARBONS		2		
329	JM23000123	CHARBONS		1		
330	JM00000150	MOTOR HOUSING ASSY		1		
331	JM27000361	ANNEAU		1		
332	JM27000445	ROULEMENT 6001-2Z		1		
333	JM27000302	STATOR 230V		1		
334	JM27000155	RONDELLE PLATE 5		2		
335	JM27000305	VIS		2		
336	JM27000309	ROTOR 230V CPL		1		
D10		INC. 331,332,337				
337	JM27000446	ROULEMENT 6201DDW		1		
338	JM27000313	ANNEAU		1		
339	JM27000424	BOITE PIGNON CPL		1		
340	JM27000155	RONDELLE PLATE 5		4		
341	JM27000048	RONDELLE 5		4		
342	JM27000316	VIS M5X35		4		

343	JM27000292	VIS M5X8		2		
344	JM27000155	RONDELLE PLATE 5		2		
345	JM27000293	COUVERCLE		1		
346	JM00000156	VINYL TUBE		1		
347	JM27000299	PLAQUE		1		
348	JM27000009	RONDELLE PLATE 4		2		
349	JM27000004	VIS		2		
350	JM00000379	SLIDING TABLE ASSEMBLY		1		
D10		INC. 215-265				
A01	JM00000045	PUSH STICK		1		
A02	JM27000087	CLE B		2		
A03	JM27000329	CLE		1		
A04	JM27000328	PLAQUE TRIANGULAIRE		1		

Veuillez indiquer les pièces n ° lorsque votre commande.

Date d'impression 07/06/2024