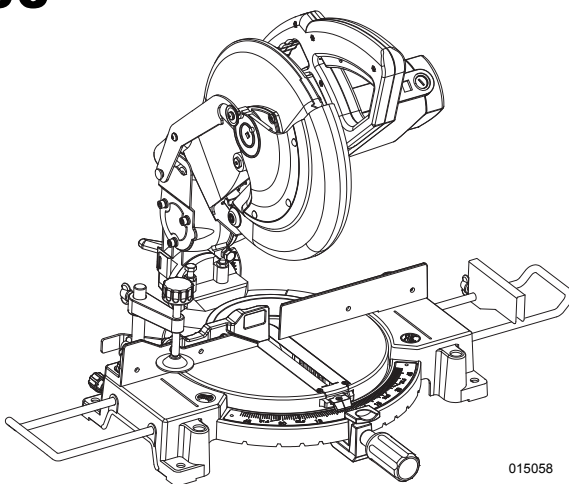




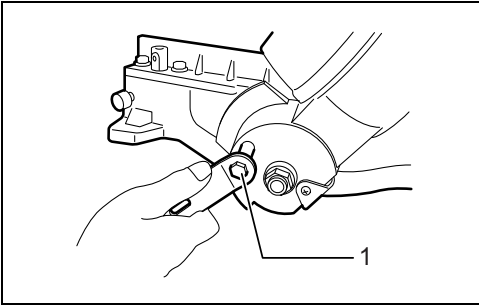
GB	Compound Miter Saw	Instruction manual
F	Scie à Coupe d'Onglet	Manuel d'instructions
D	Kapp- und Gehrungssäge	Betriebsanleitung
I	Sega circolare combinata	Istruzioni per l'uso
NL	Samengesteld-verstekzaag	Gebruiksaanwijzing
E	Sierra de Inglete	Manual de instrucciones
P	Serra de Esquadria	Manual de instruções
DK	Kombineret geringssav	Brugsanvisning
GR	Δισκοπρίνο πάγκου	Οδηγίες χρήσης

MLS100



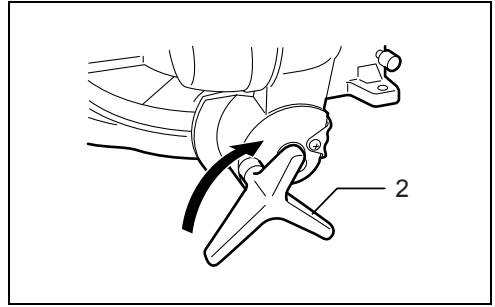
015058





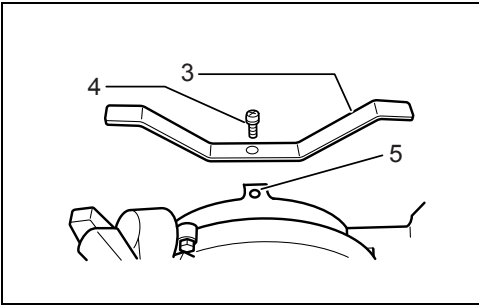
1

007766



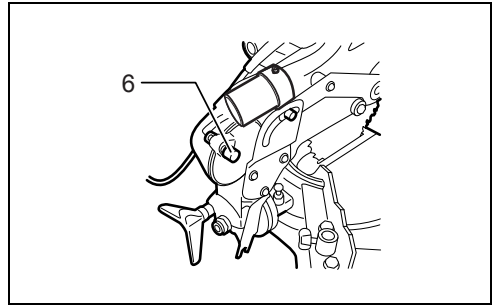
2

007772



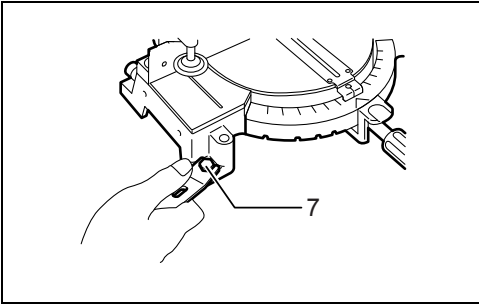
3

007830



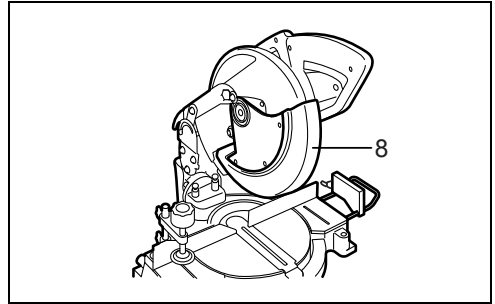
4

007754



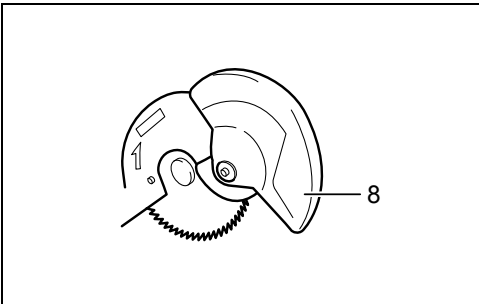
5

007767



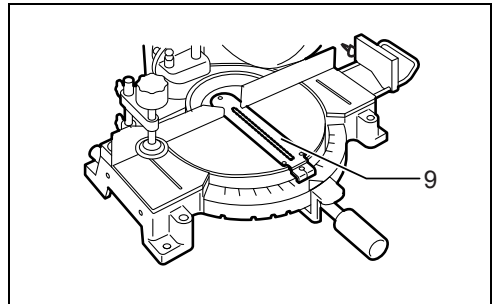
6

007755



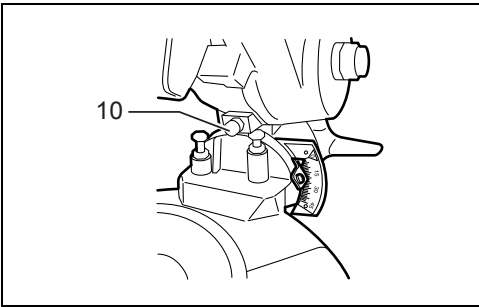
7

001782



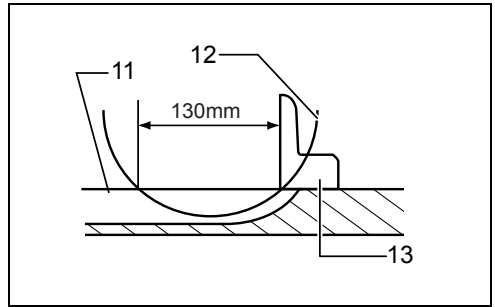
8

007777



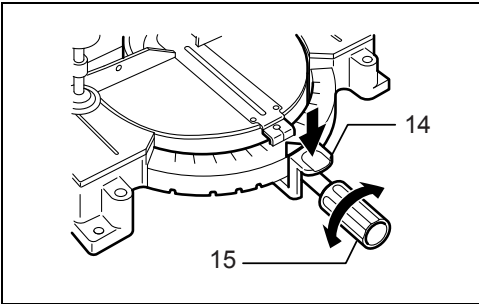
9

007832



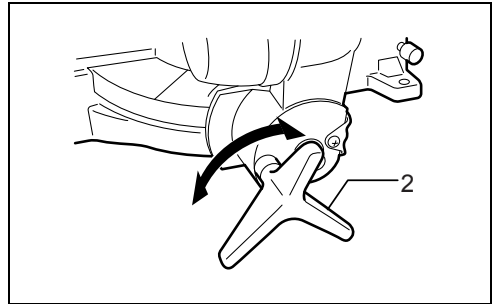
10

007831



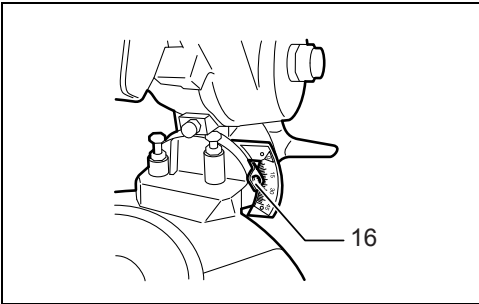
11

007768



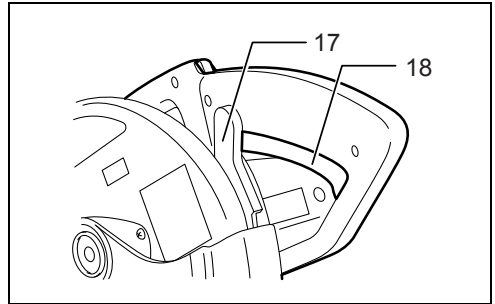
12

007763



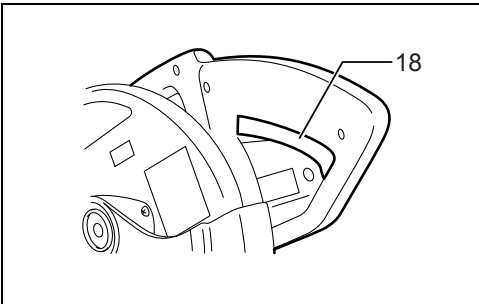
13

007757



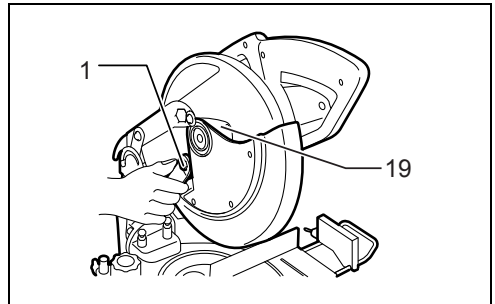
14

007900



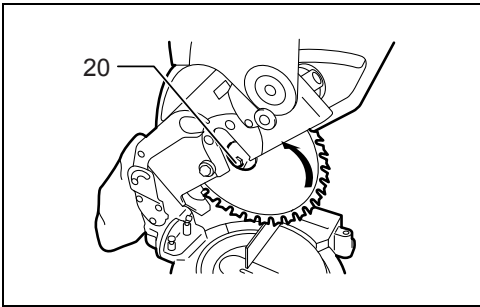
15

007761



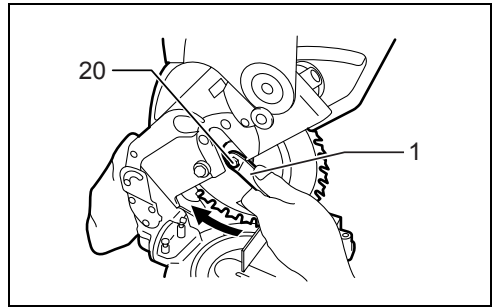
16

007771



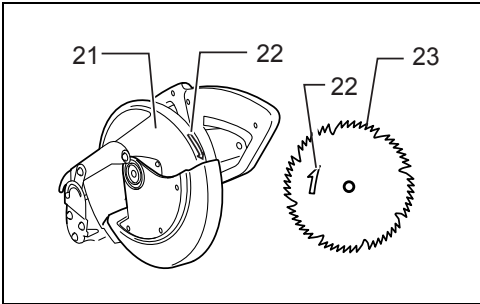
17

007774



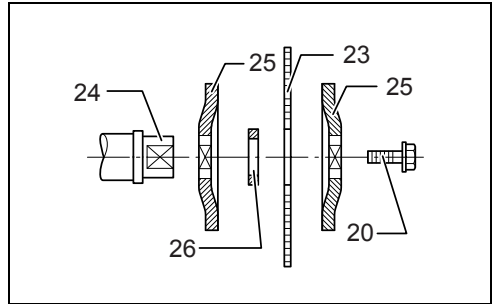
18

007770



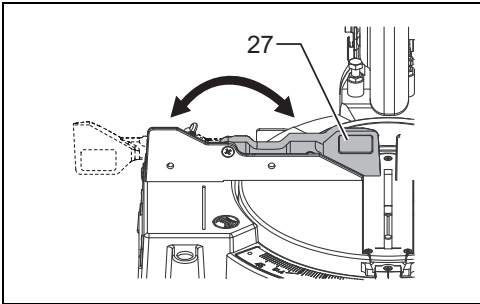
19

007808



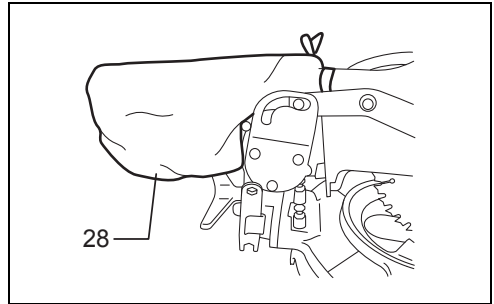
20

004852



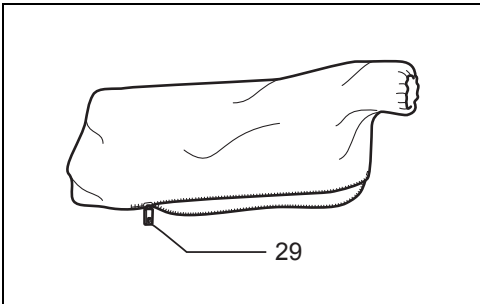
21

015064



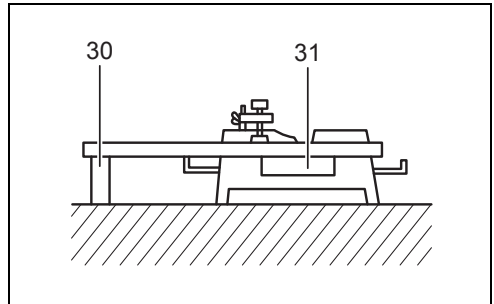
22

007775



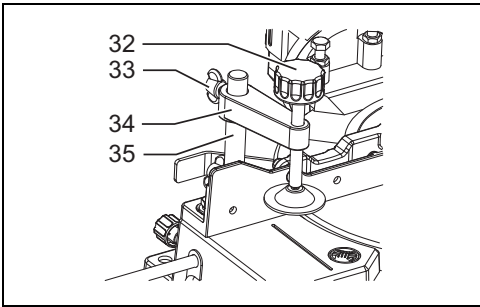
23

007776



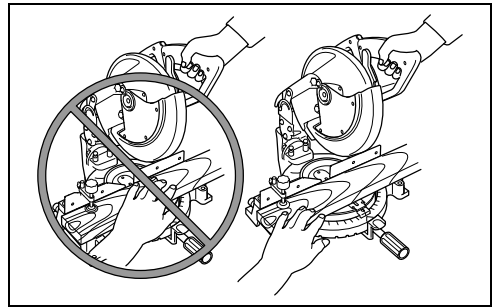
24

001549



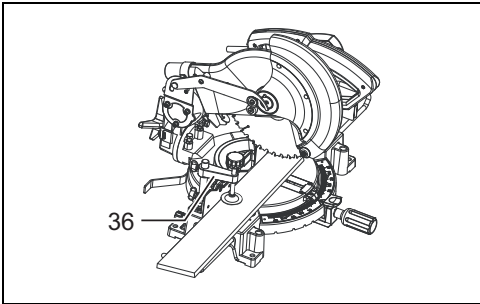
25

015059



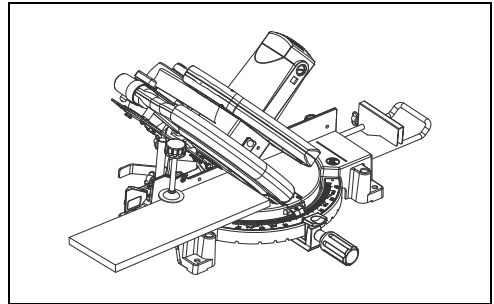
26

010852



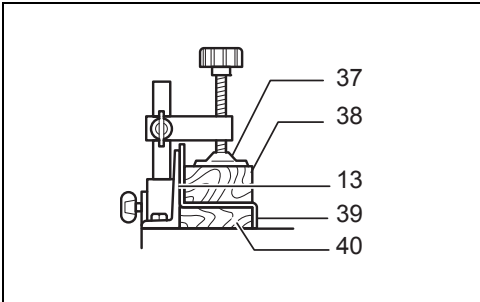
27

015060



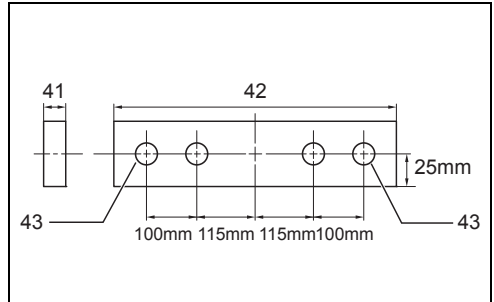
28

015061



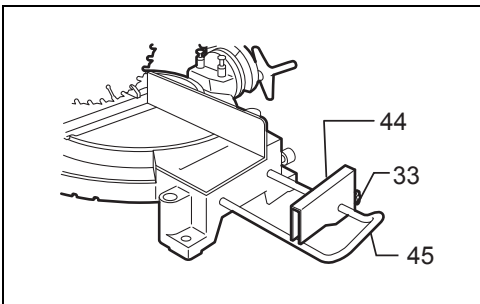
29

001844



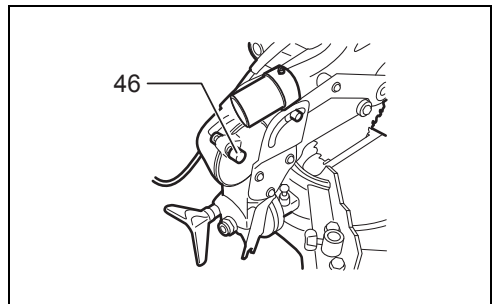
30

007833



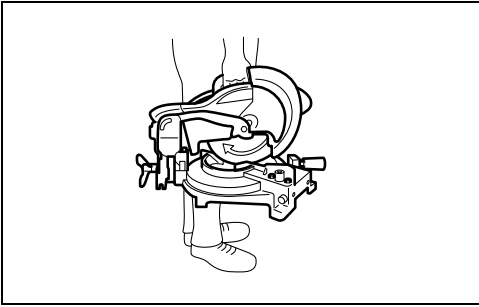
31

007760



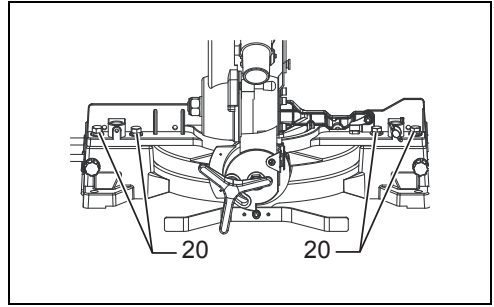
32

007754



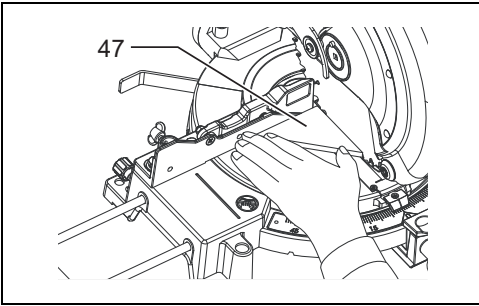
33

007759



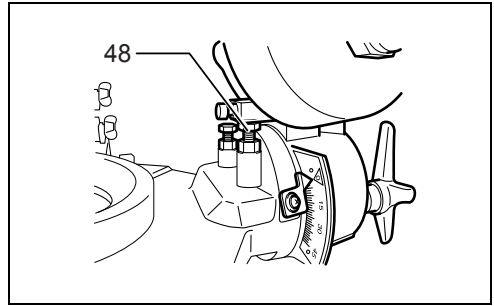
34

015062



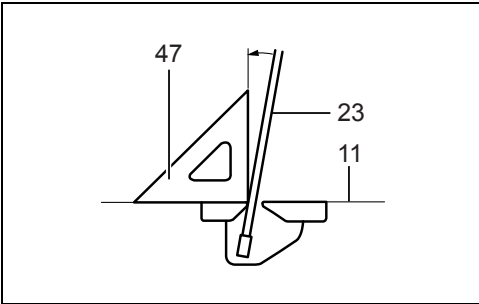
35

015063



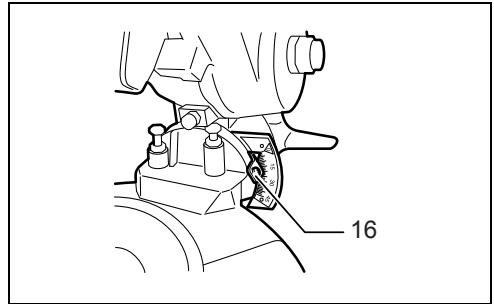
36

007752



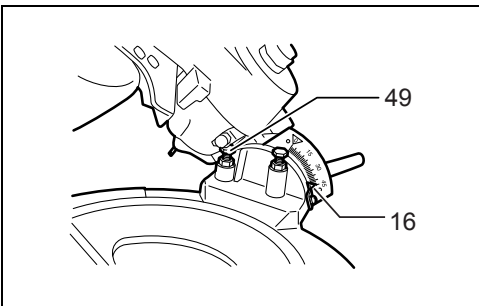
37

010798



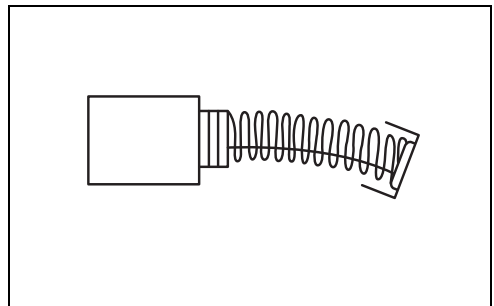
38

007757



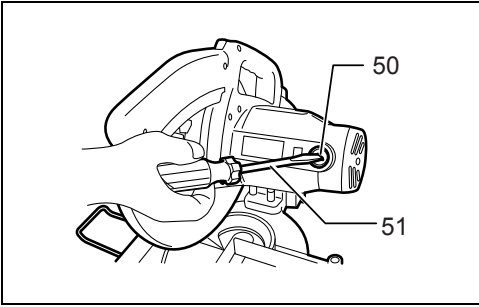
39

007751



40

007834



41

007756

ENGLISH (Original instructions)

Explanation of general view

1. Wrench	18. Switch trigger	35. Vise rod
2. Knob	19. Center cover	36. Vertical vise
3. Auxiliary plate	20. Hex bolt	37. Vise
4. Screw	21. Blade case	38. Spacer block
5. Base	22. Arrow	39. Aluminum extrusion
6. Stopper pin	23. Saw blade	40. Spacer block
7. Bolt	24. Spindle	41. Over 10 mm
8. Blade guard	25. Flange	42. Over 460 mm
9. Kerf board	26. Ring	43. Hole
10. Adjusting bolt	27. Sub-fence	44. Set plate
11. Top surface of turn base	28. Dust bag	45. Holder
12. Periphery of blade	29. Fastener	46. Stopper pin
13. Guide fence	30. Support	47. Triangular rule
14. Lock lever	31. Turn base	48. 0° adjusting bolt
15. Grip	32. Vise knob	49. 45° bevel angle adjusting bolt
16. Pointer	33. Screw	50. Brush holder cap
17. Lever	34. Vise arm	51. Screwdriver

SPECIFICATIONS

Model	MLS100
Blade diameter	255 mm
Blade body thickness	1.6 mm - 2.4 mm
Hole diameter	
For all countries other than European countries	25.4 mm
For European countries	30 mm
Max. Cutting capacities (H x W) with blade 255 mm in diameter	

Bevel angle	Miter angle	
	0°	45° (left and right)
0°	75 mm x 130 mm	75 mm x 90 mm
45° (left)	48 mm x 120 mm	48 mm x 90 mm

No load speed (min ⁻¹)	4,200
Dimensions (L x W x H)	610 mm x 485 mm x 515 mm
Net weight	14.7 kg
Safety class	□/II

- Due to our continuing program of research and development, the specifications herein are subject to change without notice.
- Specifications may differ from country to country.
- Weight according to EPTA-Procedure 01/2003

Symbols

END217-5

The following show the symbols used for the equipment.
Be sure that you understand their meaning before use.



..... Read instruction manual.



..... DOUBLE INSULATION



..... To avoid injury from flying debris, keep holding the saw head down, after making cuts, until the blade has come to a complete stop.



..... Do not place hand or fingers close to the blade.



..... For your safety, remove the chips, small pieces, etc. from the table top before operation.



..... Always set SUB-FENCE to left position when performing left bevel cuts. Failure to do so may cause serious injury to operator.



..... To loosen the bolt, turn it clockwise.



..... Only for EU countries
Do not dispose of electric equipment together with household waste material! In observance of European Directive, on Waste Electric and Electronic Equipment and its implementation in accordance with national law, electric equipment that

have reached the end of their life must be collected separately and returned to an environmentally compatible recycling facility.

Intended use

ENE004-1

The tool is intended for accurate straight and miter cutting in wood. With appropriate saw blades, aluminum can also be sawed.


Power supply

ENF002-2

The tool should be connected only to a power supply of the same voltage as indicated on the nameplate, and can only be operated on single-phase AC supply. They are double-insulated and can, therefore, also be used from sockets without earth wire.

General Power Tool Safety Warnings

GEA010-1

 **WARNING** Read all safety warnings and all instructions. Failure to follow the warnings and instructions may result in electric shock, fire and/or serious injury.

Save all warnings and instructions for future reference.

MITER SAW SAFETY WARNINGS

ENB034-8

1. Keep hands out of path of saw blade. Avoid contact with any coasting blade. It can still cause severe injury.
2. Check the saw blade carefully for cracks or deformation before operation. Replace damaged blades immediately.
3. Replace the kerf board when worn.
4. Use only saw blades specified by the manufacturer which conform to EN847-1.
5. Do not use saw blades manufactured from high speed steel.
6. Wear eye protection.
7. Wear hearing protection to reduce the risk of hearing loss.
8. Wear gloves for handling saw blade (saw blades shall be carried in a holder wherever practicable) and rough material.
9. Connect miter saws to a dust collecting device when sawing.
10. Select saw blades in relation to the material to be cut.
11. Do not use the saw to cut other than wood, aluminum or similar materials.
12. Always secure all moving portions before carrying the tool. When lifting or carrying the tool, do not use the guard as a carrying handle.
13. Do not operate saw without guards in place. Check blade guard for proper closing before each use. Do not operate saw if blade guard does not move freely and close instantly. Never clamp or tie the blade guard into the open position.
14. Keep the floor area free of loose material e.g. chips and cut-offs.
15. Use only saw blades that are marked with a maximum speed equal to or higher than the no load speed marked on the tool.
16. When the tool is fitted with a laser or LED, do not replace the laser or LED with a different type. Ask an authorized service center for repair.
17. Never remove any cut-offs or other parts of the workpiece from the cutting area whilst the tool is running with an unguarded saw blade.
18. Do not perform any operation freehand. The workpiece must be secured firmly against the turn base and guide fence with the vise during all operations. Never use your hand to secure the workpiece.
19. Ensure that the tool is stable before each cut.
20. Fix the tool to a work bench, if needed.
21. Support long workpieces with appropriate additional supports.
22. Never cut so small workpiece which cannot be securely held by the vise. Improperly held workpiece may cause kickback and serious personal injury.
23. Never reach around saw blade.
24. Turn off tool and wait for saw blade to stop before moving workpiece or changing settings.
25. Unplug tool before changing blade or servicing.
26. Stopper pin which locks the cutter head down is for carrying and storage purposes only and not for any cutting operations.
27. Do not use the tool in the presence of flammable liquids or gases. The electrical operation of the tool could create an explosion and fire when exposed to flammable liquids or gases.
28. Use only flanges specified for this tool.
29. Be careful not to damage the arbor, flanges (especially the installing surface) or bolt. Damage to these parts could result in blade breakage.
30. Make sure that the turn base is properly secured so it will not move during operation.
31. For your safety, remove the chips, small pieces, etc. from the table top before operation.
32. Avoid cutting nails. Inspect for and remove all nails from the workpiece before operation.
33. Make sure the shaft lock is released before the switch is turned on.
34. Be sure that the blade does not contact the turn base in the lowest position.
35. Hold the handle firmly. Be aware that the saw moves up or down slightly during start-up and stopping.
36. Make sure the blade is not contacting the workpiece before the switch is turned on.
37. Before using the tool on an actual workpiece, let it run for a while. Watch for vibration or wobbling that could indicate poor installation or a poorly balanced blade.
38. Wait until the blade attains full speed before cutting.
39. Stop operation immediately if you notice anything abnormal.
40. Do not attempt to lock the trigger in the on position.
41. Be alert at all times, especially during repetitive, monotonous operations. Do not be lulled into a

false sense of security. Blades are extremely unforgiving.

42. **Always use accessories recommended in this manual. Use of improper accessories such as abrasive wheels may cause an injury.**
43. **Take care when slotting.**
44. **Some dust created from operation contains chemicals known to cause cancer, birth defects or other reproductive harm. Some examples of these chemicals are:**
 - **lead from lead-based-painted material and,**
 - **arsenic and chromium from chemically-treated lumber.**

Your risk from these exposures varies, depending on how often you do this type of work. To reduce your exposure to these chemicals: work in a well ventilated area and work with approved safety equipment, such as those dust masks that are specially designed to filter out microscopic particles.
45. **To reduce the emitted noise, always be sure that the blade is sharp and clean.**
46. **The operator is adequately trained in the use, adjustment and operation of the machine.**

SAVE THESE INSTRUCTIONS.

WARNING:

DO NOT let comfort or familiarity with product (gained from repeated use) replace strict adherence to safety rules for the subject product. MISUSE or failure to follow the safety rules stated in this instruction manual may cause serious personal injury.

INSTALLATION (Fig. 1 & 2)

When the tool is shipped, the handle is locked in the lowered position by the stopper pin. Loosen the bolt with a wrench provided with the tool and move the saw head to the right angle. Remove the bolt and secure the saw head with the knob.

Installing auxiliary plate (Fig. 3)

Installing the auxiliary plate using the hole in the tool's base and secure it by tightening the screw.

Bench mounting

When the tool is shipped, the handle is locked in the lowered position by the stopper pin. Release the stopper pin by lowering the handle slightly and pulling the stopper pin. (Fig. 4)

This tool should be bolted with four bolts to a level and stable surface using the bolt holes provided in the tool's base. This will help prevent tipping and possible injury. (Fig. 5)

FUNCTIONAL DESCRIPTION

CAUTION:

- Always be sure that the tool is switched off and unplugged before adjusting or checking function on the tool.

Blade guard (Fig. 6)

When lowering the handle, the blade guard rises automatically. The guard is spring loaded so it returns to its original position when the cut is completed and the handle is raised. NEVER DEFEAT OR REMOVE THE BLADE GUARD OR THE SPRING WHICH ATTACHES TO THE GUARD.

In the interest of your personal safety, always maintain the blade guard in good condition. Any irregular operation of the blade guard should be corrected immediately. Check to assure spring loaded return action of guard. NEVER USE THE TOOL IF THE BLADE GUARD OR SPRING ARE DAMAGED, FAULTY OR REMOVED. DOING SO IS HIGHLY DANGEROUS AND CAN CAUSE SERIOUS PERSONAL INJURY.

If the see-through blade guard becomes dirty, or sawdust adheres to it in such a way that the blade is no longer easily visible, unplug the saw and clean the guard carefully with a damp cloth. Do not use solvents or any petroleum-based cleaners on the plastic guard. If the see-through blade guard becomes dirty, or sawdust adheres to it in such a way that the blade and/or workpiece is no longer easily visible, unplug the saw and clean the guard carefully with a damp cloth. Do not use solvents or any petroleum-based cleaners on the plastic guard.

If the blade guard is especially dirty and vision through the guard is impaired, use the supplied wrench to loosen the hex bolt holding the center cover. Loosen the hex bolt by turning it counterclockwise and raise the blade guard and center cover. With the blade guard so positioned, cleaning can be more completely and efficiently accomplished. When cleaning is complete, reverse procedure above and secure bolt. Do not remove spring holding blade guard. If guard becomes discolored through age or UV light exposure, contact a Makita service center for a new guard. DO NOT DEFEAT OR REMOVE GUARD. (Fig. 7)

Kerf board (Fig. 8)

This tool is provided with the kerf board in the turn base to minimize tearing on the exit side of a cut. If the kerf groove has not yet been cut in the kerf board by the factory, you should cut the groove before actually using the tool to cut a workpiece. Switch on the tool and lower the blade gently to cut a groove in the kerf board.

Maintaining maximum cutting capacity

This tool is factory adjusted to provide the maximum cutting capacity for a 255 mm saw blade.

When installing a new blade, always check the lower limit position of the blade and if necessary, adjust it as follows:

First, unplug the tool. Lower the handle completely. Use the wrench to turn the adjusting bolt until the periphery of the blade extends slightly below the top surface of the turn base at the point where the front face of the guide fence meets the top surface of the turn base. (Fig. 9)

With the tool unplugged, rotate the blade by hand while holding the handle all the way down to be sure that the blade does not contact any part of the lower base. Re-adjust slightly, if necessary. (Fig. 10)

CAUTION:

- After installing a new blade, always be sure that the blade does not contact any part of the lower base when

the handle is lowered completely. Always do this with the tool unplugged.

Adjusting the miter angle (Fig. 11)

Loosen the grip by turning counterclockwise. Turn the turn base while pressing down the lock lever. When you have moved the grip to the position where the pointer points to the desired angle on the miter scale, securely tighten the grip clockwise.

CAUTION:

- When turning the turn base, be sure to raise the handle fully.
- After changing the miter angle, always secure the turn base by tightening the grip firmly.

Adjusting the bevel angle (Fig. 12 & 13)

To adjust the bevel angle, loosen the knob at the rear of the tool counterclockwise.

Push the handle to the left to tilt the saw blade until the pointer points to the desired angle on the bevel scale. Then tighten the knob clockwise firmly to secure the arm.

CAUTION:

- When tilting the saw blade, be sure to raise the handle fully.
- After changing the bevel angle, always secure the arm by tightening the knob clockwise.

Switch action

CAUTION:

- Before plugging in the tool, always check to see that the switch trigger actuates properly and returns to the "OFF" position when released.

For European countries (Fig. 14)

To start the tool, push the lever to the right and then pull the switch trigger. Release the switch trigger to stop.

For all countries other than European countries (Fig. 15)

To start the tool, simply pull the switch trigger. Release the switch trigger to stop.

WARNING:

- NEVER use tool without a fully operative switch trigger. Any tool with an inoperative switch is HIGHLY DANGEROUS and must be repaired before further usage.

ASSEMBLY

CAUTION:

- Always be sure that the tool is switched off and unplugged before carrying out any work on the tool.

Installing or removing saw blade

CAUTION:

- Always be sure that the tool is switched off and unplugged before installing or removing the blade.
- Use only the Makita wrench provided to install or remove the blade. Failure to do so may result in overtightening or insufficient tightening of the hex bolt. This could cause an injury.

When removing or installing the blade, keep the handle in the raised position. (Fig. 16)

To remove the blade, use the wrench to loosen the hex bolt holding the center cover by turning it counterclockwise. Raise the blade guard and center cover. (Fig. 17)

Press the shaft lock to lock the spindle and use the wrench to loosen the hex bolt clockwise. Then remove the hex bolt, outer flange and blade. (Fig. 18)

To install the blade, mount it carefully onto the spindle, making sure that the direction of the arrow on the surface of the blade matches the direction of the arrow on the blade case. Install the outer flange and hex bolt, and then use the wrench to tighten the hex bolt (left-handed) securely counterclockwise while pressing the shaft lock. (Fig. 19 & 20)

CAUTION:

- The ring 25.4 mm or 30 mm in outer diameter is factory-installed onto the spindle. Before mounting the blade onto the spindle, always be sure that the correct ring for the arbor hole of the blade you intend to use is installed onto the spindle.

Install the outer flange and hex bolt, and then use the wrench to tighten the hex bolt (left-handed) securely counterclockwise while pressing the shaft lock.

Return the blade guard and center cover to its original position. Then tighten the hex bolt clockwise to secure the center cover. Lower the handle to make sure that the blade guard moves properly. Make sure shaft lock has released spindle before making cut.

Sub-fence (for European countries only) (Fig. 21)

This tool is equipped with the sub-fence. Usually position the sub-fence inside. However, when performing left bevel cuts, flip it outward.

⚠ CAUTION:

- When performing left bevel cuts, flip the sub-fence outward. Otherwise, it will contact the blade or a part of the tool, causing possible serious injury to the operator.

Dust bag (Fig. 22 & 23)

The use of the dust bag makes cutting operations clean and dust collection easy. To attach the dust bag, fit it onto the dust nozzle.

When the dust bag is about half full, remove the dust bag from the tool and pull the fastener out. Empty the dust bag of its contents, tapping it lightly so as to remove particles adhering to the insides which might hamper further collection.

NOTE:

If you connect a Makita vacuum cleaner to your saw, more efficient and cleaner operations can be performed.

Securing workpiece

WARNING:

- It is extremely important to always secure the workpiece properly and tightly with the vise. Failure to do so can cause the tool to be damaged and/or the workpiece to be destroyed. PERSONAL INJURY MAY ALSO RESULT. Also, after a cutting operation, DO

NOT raise the blade until the blade has come to a complete stop.

CAUTION:

- When cutting long workpieces, use supports that are as high as the top surface level of the turn base. Do not rely solely on the vertical vise and/or horizontal vise to secure the workpiece.
Thin material tends to sag. Support workpiece over its entire length to avoid blade pinch and possible KICKBACK. (Fig. 24)

Vertical vise (Fig. 25)

The vertical vise can be installed in two positions on either the left or right side of the guide fence. Insert the vise rod into the hole in the guide fence and tighten the screw to secure the vise rod.

Position the vise arm according to the thickness and shape of the workpiece and secure the vise arm by tightening the screw. Make sure that no part of the tool contacts the vise when lowering the handle all the way. If some part contacts the vise, re-position the vise.

Press the workpiece flat against the guide fence and the turn base. Position the workpiece at the desired cutting position and secure it firmly by tightening the vise knob.

CAUTION:

- The workpiece must be secured firmly against the turn base and guide fence with the vise during all operations.

OPERATION (Fig. 26)

CAUTION:

- Before use, be sure to release the handle from the lowered position by pulling the stopper pin.
- Make sure the blade is not contacting the workpiece, etc. before the switch is turned on.
- Do not apply excessive pressure on the handle when cutting. Too much force may result in overload of the motor and/or decreased cutting efficiency. Push down handle with only as much force as is necessary for smooth cutting and without significant decrease in blade speed.
- Gently press down the handle to perform the cut. If the handle is pressed down with force or if lateral force is applied, the blade will vibrate and leave a mark (saw mark) in the workpiece and the precision of the cut will be impaired.

1. Press cutting (Fig. 27)

Secure the workpiece with the vise. Switch on the tool without the blade making any contact and wait until the blade attains full speed before lowering. Then gently lower the handle to the fully lowered position to cut the workpiece. When the cut is completed, switch off the tool and WAIT UNTIL THE BLADE HAS COME TO A COMPLETE STOP before returning the blade to its fully elevated position.

2. Miter cutting

Refer to the previously covered "Adjusting the miter angle".

3. Bevel cut (Fig. 28)

Loosen the knob and tilt the saw blade to set the bevel angle (Refer to the previously covered "Adjusting the

bevel angle"). Be sure to retighten the knob firmly to secure the selected bevel angle safely. Secure the workpiece with a vise. Switch on the tool without the blade making any contact and wait until the blade attains full speed. Then gently lower the handle to the fully lowered position while applying pressure in parallel with the blade. When the cut is completed, switch off the tool and WAIT UNTIL THE BLADE HAS COME TO A COMPLETE STOP before returning the blade to its fully elevated position.

CAUTION:

- Always be sure that the blade will move down to bevel direction during a bevel cut. Keep hands out of path of saw blade.
- During a bevel cut, it may create a condition whereby the piece cut off will come to rest against the side of the blade. If the blade is raised while the blade is still rotating, this piece may be caught by the blade, causing fragments to be scattered which is dangerous. The blade should be raised ONLY after the blade has come to a complete stop.
- When pressing the handle down, apply pressure parallel to the blade. If the pressure is not parallel to the blade during a cut, the angle of the blade might be shifted and the precision of the cut will be impaired.
- (Only for European countries) always set the sub-fence outside when performing left bevel cuts.

4. Compound cutting

Compound cutting is the process in which a bevel angle is made at the same time in which a miter angle is being cut on a workpiece. Compound cutting can be performed at angle shown in the table.

Bevel angle	Miter angle
45°	Left and Right 0 - 45°

006366

When performing compound cutting, refer to "Press cutting", "Miter cutting" and "Bevel cut" explanations.

5. Cutting aluminum extrusion (Fig. 29)

When securing aluminum extrusions, use spacer blocks or pieces of scrap as shown in the figure to prevent deformation of the aluminum. Use a cutting lubricant when cutting the aluminum extrusion to prevent build-up of the aluminum material on the blade.

CAUTION:

- Never attempt to cut thick or round aluminum extrusions. Thick aluminum extrusions may come loose during operation and round aluminum extrusions cannot be secured firmly with this tool.

6. Wood facing

Use of wood facing helps to assure splinter-free cuts in workpieces. Attach a wood facing to the guide fence using the holes in the guide fence. See the figure concerning the dimensions for a suggested wood facing. (Fig. 30)

CAUTION:

- Use straight wood of even thickness as the wood facing.

- Use screws to attach the wood facing to the guide fence. The screws should be installed so that the screw heads are below the surface of the wood facing.
- When the wood facing is attached, do not turn the turn base with the handle lowered. The blade and/or the wood facing will be damaged.
- The maximum cutting width will be smaller by the width of wood facing.

7. Cutting repetitive lengths (Fig. 31)

When cutting several pieces of stock to the same length, ranging from 240 mm to 380 mm, use of the set plate (optional accessory) will facilitate more efficient operation. Install the set plate on the holder (optional accessory) as shown in the figure. Align the cutting line on your workpiece with either the left or right side of the groove in the kerf board, and while holding the workpiece from moving, move the set plate flush against the end of the workpiece. Then secure the set plate with the screw. When the set plate is not used, loosen the screw and turn the set plate out of the way.

Carrying tool (Fig. 32)

Make sure that the tool is unplugged. Secure the blade at 0° bevel angle and the turn base at left miter angle fully. Lower the handle fully and lock it in the lowered position by pushing in the stopper pin. Carry the tool by carrying grip as shown in the figure. If you remove the holders, dust bag, etc., you can carry the tool more easily. (Fig. 33)

CAUTION:

- Always secure all moving portions before carrying the tool.
- Stopper pin is for carrying and storage purposes only and not for any cutting operations.

MAINTENANCE

CAUTION:

- Always be sure that the tool is switched off and unplugged before attempting to perform inspection or maintenance.
- Never use gasoline, benzine, thinner, alcohol or the like. Discoloration, deformation or cracks may result.

WARNING:

- Always be sure that the blade is sharp and clean for the best and safest performance.

Adjusting the cutting angle

This tool is carefully adjusted and aligned at the factory, but rough handling may have affected the alignment. If your tool is not aligned properly, perform the following:

1. Miter angle (Fig. 34)

Loosen the grip which secures the turn base. Turn the turn base so that the pointer points to 0° on the miter scale. Tighten the grip and loosen the hex bolts securing the guide fence using the wrench. If the pointer does not point to 0° on the miter scale, loosen the screw which secures the pointer and move and secure the pointer plate so that the pointer points to 0° on the miter scale.

Lower the handle fully and lock it in the lowered position by pushing in the stopper pin. Square the side of the blade with the face of the guide fence using a

triangular rule, try-square, etc. Then securely tighten the hex bolts on the guide fence in the order from the right side. (Fig. 35)

2. Bevel angle

(1) 0° bevel angle (Fig. 36)

Lower the handle fully and lock it in the lowered position by pushing in the stopper pin. Loosen the knob at the rear of the tool. Loosen the hex nut and turn the 0° bevel angle adjusting bolt on the right side of the turn base two or three revolutions clockwise to tilt the blade to the right.

Carefully square the side of the blade with the top surface of the turn base using the triangular rule, try-square, etc. by turning the 0° bevel angle adjusting bolt counterclockwise. Then tighten the hex nut to secure the 0° bevel angle adjusting bolt and tighten the knob securely.

Make sure that the pointer on the arm points to 0° on the bevel scale. If it does not point to 0° on the bevel scale, loosen the screw which secures the pointer and move and secure the pointer plate so that the pointer points to 0° on the bevel scale. (Fig. 37 & 38)

(2) 45° bevel angle (Fig. 39)

Adjust the 45° bevel angle only after performing 0° bevel angle adjustment. To adjust left 45° bevel angle, loosen the knob and tilt the blade to the left fully. Make sure that the pointer on the arm points to 45° on the bevel scale on the arm. If the pointer does not point 45°, turn the 45° bevel angle adjusting bolt on the left side of the arm until the pointer points to 45°.

Replacing carbon brushes (Fig. 40)

Remove and check the carbon brushes regularly. Replace when they wear down to 3 mm in length. Keep the carbon brushes clean and free to slip in the holders. Both carbon brushes should be replaced at the same time. Use only identical carbon brushes.

Use a screwdriver to remove the brush holder caps. Take out the worn carbon brushes, insert the new ones and secure the brush holder caps. (Fig. 41)

After use

- After use, wipe off chips and dust adhering to the tool with a cloth or the like. Keep the blade guard clean according to the directions in the previously covered section titled "Blade guard". Lubricate the sliding portions with machine oil to prevent rust.

To maintain product SAFETY and RELIABILITY, repairs, any other maintenance or adjustment should be performed by Makita Authorized Service Centers, always using Makita replacement parts.

Noise

ENG905-1

The typical A-weighted noise level determined according to EN61029:

Sound pressure level (L_{pA}): 92 dB (A)

Sound power level (L_{WA}): 105 dB (A)

Uncertainty (K): 3 dB (A)

Wear ear protection.

For European countries only

ENH003-15

EC Declaration of Conformity

Makita declares that the following Machine(s):

Designation of Machine:

Compound Miter Saw

Model No./Type: MLS100

Conforms to the following European Directives:

2006/42/EC

They are manufactured in accordance with the following standard or standardized documents:

EN61029

The Technical file in accordance with 2006/42/EC is available from:

Makita, Jan-Baptist Vinkstraat 2, 3070, Belgium

30. 5. 2014

A handwritten signature in black ink, appearing to read 'Yasushi Fukaya', written in a cursive style.

Yasushi Fukaya
Director

Makita, Jan-Baptist Vinkstraat 2, 3070, Belgium

FRANÇAIS (Instructions d'origine)

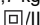
Descriptif

- | | | |
|--------------------------------------|----------------------------------|---------------------------------------------|
| 1. Clé | 19. Couvercle central | 37. Étau |
| 2. Poignée de serrage | 20. Boulon hexagonal | 38. Bloc entretoise |
| 3. Plaque auxiliaire | 21. Porte-lame | 39. Extrusion d'aluminium |
| 4. Vis | 22. Flèche | 40. Bloc entretoise |
| 5. Socle | 23. Lame de scie | 41. Plus de 10 mm |
| 6. Broche d'arrêt | 24. Axe | 42. Plus de 460 mm |
| 7. Boulon | 25. Flasque | 43. Orifice |
| 8. Carter de lame | 26. Bague | 44. Plaque de fixation |
| 9. Plateau de découpe | 27. Garde auxiliaire | 45. Porte-outil |
| 10. Boulon de réglage | 28. Sac à poussières | 46. Broche d'arrêt |
| 11. Face supérieure du socle rotatif | 29. Fermeture à glissière | 47. Règle triangulaire |
| 12. Périphérie de la lame | 30. Support | 48. Boulon de réglage 0° |
| 13. Garde parallèle | 31. Socle rotatif | 49. Boulon de réglage d'angle de biseau 45° |
| 14. Levier de sécurité | 32. Poignée de serrage de l'étau | 50. Bouchon de porte-charbon |
| 15. Manche | 33. Vis | 51. Tournevis |
| 16. Index | 34. Bras de l'étau | |
| 17. Levier | 35. Tige de l'étau | |
| 18. Gâchette | 36. Étau vertical | |

SPÉCIFICATIONS

Modèle	MLS100
Diamètre de la lame	255 mm
Épaisseur du corps de lame	1,6 mm - 2,4 mm
Diamètre de l'orifice	
Pour tous les pays non européens	25,4 mm
Pour les pays d'Europe	30 mm
Capacités max. de coupe (H x P) avec une lame à diamètre de 255 mm	

Angle de biseau	Angle de coupe d'onglet	
	0°	45° (à gauche et à droite)
0°	75 mm x 130 mm	75 mm x 90 mm
45° (gauche)	48 mm x 120 mm	48 mm x 90 mm

Vitesse à vide (min ⁻¹)	4 200
Dimensions (L x P x H)	610 mm x 485 mm x 515 mm
Poids net	14,7 kg
Niveau de sécurité	 II

- Étant donné l'évolution constante de notre programme de recherche et de développement, les spécifications contenues dans ce manuel sont sujettes à des modifications sans préavis.
- Les spécifications peuvent varier suivant les pays.
- Poids conforme à la procédure EPTA 01/2003

Symboles

END217-5

Les symboles utilisés pour cet appareil sont indiqués ci-dessous.

Assurez-vous d'avoir bien compris leur signification avant d'utiliser l'outil.



..... Reportez-vous au manuel d'instructions.



..... DOUBLE ISOLATION



..... Pour éviter les blessures causées par les projections, maintenez la tête porte-scie orientée vers le bas après la coupe, jusqu'à ce que la lame soit complètement arrêtée.



..... N'approchez pas la main ou les doigts de la lame.



..... Pour votre sécurité, retirez les copeaux et autres petites pièces présentes sur la table avant de commencer le travail.



..... Placez toujours le GARDE AUXILIAIRE à gauche pour effectuer des coupes en biseau sur la gauche. Le non-respect de cette instruction peut entraîner des blessures graves pour l'opérateur.



..... Pour desserrer le boulon, tournez-le dans le sens des aiguilles d'une montre.



..... Pour les pays européens uniquement
Ne pas jeter les appareils électriques dans les ordures ménagères !
Conformément à la directive européenne relative aux déchets d'équipements électriques et électroniques (DEEE), et à sa transposition dans la législation nationale, les appareils électriques doivent être collectés à part et être soumis à un recyclage respectueux de l'environnement.

Utilisations

ENE004-1

L'outil est conçu pour les coupes rectilignes et coupes d'onglet de précision dans le bois. Avec des lames appropriées, il permet aussi de scier l'aluminium.

Alimentation

ENE002-2

L'outil ne doit être raccordé qu'à une alimentation de la même tension que celle qui figure sur la plaque signalétique, et il ne peut fonctionner que sur un courant secteur monophasé. Réalisé avec une double isolation, il peut de ce fait être alimenté sans mise à la terre.

Consignes de sécurité générales des outils électriques

GEA010-1

⚠ AVERTISSEMENT Veuillez lire toutes les consignes de sécurité et les instructions. Il y a un risque de choc électrique, d'incendie et/ou de blessure grave si les consignes et les instructions ne sont pas toutes respectées.

Conservez toutes les consignes et instructions pour référence ultérieure.

AVERTISSEMENTS DE SÉCURITÉ CONCERNANT LA SCIE À ONGLET

ENB034-8

- Maintenez les mains hors de la ligne de coupe de la lame. Évitez tout contact avec une lame qui tourne. Elle peut toujours causer de graves blessures.
- Avant de commencer votre travail, vérifiez soigneusement l'absence de fissures ou de déformation sur la lame.
Remplacez immédiatement toute lame endommagée.
- Remplacez le plateau de découpe lorsqu'il est usé.
- Utilisez uniquement des lames spécifiées par le fabricant et conformes à la norme EN847-1.
- N'utilisez pas de lame en acier rapide.
- Portez des lunettes de protection.
- Le port d'une protection de l'ouïe permet de réduire le risque de perte auditive.
- Portez des gants lors de la manipulation de la lame (les lames doivent être transportées dans un étui dans la mesure du possible) et de matériaux bruts.
- Lorsque vous sciez avec une scie à onglet, raccordez cette dernière à un appareil de collecte des poussières.
- Sélectionnez les lames en fonction du type de matériau à couper.
- N'utilisez pas la scie pour couper autre chose que du bois, de l'aluminium ou des matériaux similaires.
- Fixez toujours toutes les parties mobiles avant de transporter l'outil. Lorsque vous soulevez ou transportez l'outil, n'utilisez pas le carter de protection comme une poignée de transport.
- N'utilisez pas la scie si les carters de protection ne sont pas en place. Avant chaque utilisation, assurez-vous que le carter de lame se ferme correctement. N'utilisez pas la scie si le carter de lame ne se déplace pas librement et ne se referme pas immédiatement. Vous ne devez jamais immobiliser ou fixer le carter de lame en position ouverte.
- Débarassez le sol de tout résidu, tel que des copeaux ou des morceaux de bois coupé.
- Utilisez uniquement des lames dont la vitesse maximale spécifiée est supérieure ou égale à celle de la vitesse à vide indiquée sur l'outil.
- Si l'outil comporte un laser ou un voyant, remplacez-le par un laser ou un voyant de type identique. Demandez à un centre de service après-vente agréé de procéder aux réparations.
- Pendant le fonctionnement de l'outil, ne retirez jamais les morceaux de bois coupé, ou tout autre élément de la pièce à travailler, situés dans la zone de coupe si la lame n'est pas protégée.
- Ne sciez jamais à la volée. La pièce doit être fixée solidement contre le socle rotatif et le garde parallèle avec l'étau lors de tout travail de coupe. Ne tenez jamais la pièce avec la main pour l'immobiliser.
- Avant chaque coupe, assurez-vous que l'outil est stable.
- Au besoin, fixez l'outil à un établi.
- Soutenez les longues pièces à travailler avec des supports supplémentaires adaptés.
- Ne coupez jamais de morceaux de bois si petits qu'ils ne peuvent être maintenus solidement dans un étau. Une pièce à travailler mal retenue peut entraîner un choc en retour et de graves blessures corporelles.
- N'approchez jamais les mains de la lame.
- Coupez le contact et attendez l'arrêt de la lame avant de déplacer la pièce ou de modifier les réglages.
- Débranchez l'outil avant de remplacer la lame ou de procéder à l'entretien.
- La broche de blocage qui verrouille le porte-lame en position basse est conçue exclusivement pour le transport et le rangement de l'outil, et ne doit être utilisée pour aucun travail de coupe.
- N'utilisez pas l'outil en présence de liquides ou gaz inflammables. Le fonctionnement électrique de l'outil est susceptible de provoquer une explosion et un incendie en cas d'exposition à des liquides ou gaz inflammables.
- Utilisez exclusivement les flasques spécifiés pour cet outil.

29. Prenez garde de ne pas endommager l'alésage, les flasques (tout particulièrement leur surface d'installation) ou le boulon. La lame risque de casser si ces pièces sont endommagées.
30. Assurez-vous que le socle rotatif est bien immobilisé, de sorte qu'il ne bouge pas pendant l'opération.
31. Pour votre sécurité, retirez les copeaux et autres petites pièces présentes sur la table avant de commencer le travail.
32. Prenez garde aux clous pendant la coupe. Avant de travailler sur votre pièce, inspectez-la et retirez-en tous les clous.
33. Assurez-vous que le blocage de l'arbre est libéré avant de mettre le contact.
34. Assurez-vous que la lame n'entre pas en contact avec le socle rotatif lorsqu'elle se trouve sur sa position la plus basse.
35. Tenez fermement la poignée. N'oubliez pas que la scie se déplace légèrement vers le haut ou le bas au démarrage et à l'arrêt.
36. Assurez-vous que la lame ne touche pas la pièce à travailler avant de mettre le contact.
37. Avant d'utiliser l'outil sur la pièce elle-même, laissez-le tourner un instant. Soyez attentif à toute vibration et à tout sautellement susceptible d'indiquer que la lame est mal installée ou mal équilibrée.
38. Attendez que la lame atteigne sa pleine vitesse avant de procéder à la coupe.
39. Arrêtez immédiatement votre outil dès que vous détectez une anomalie.
40. N'essayez pas de verrouiller la gâchette en position de marche.
41. Restez constamment attentif, en particulier lors des travaux répétitifs et monotones. Ne vous laissez pas emporter par un sentiment de sécurité trompeur. Les lames ne pardonnent pas.
42. Utilisez toujours les accessoires recommandés dans ce manuel. L'utilisation d'accessoires inadéquats, tels que des meules abrasives, peut causer des blessures.
43. Soyez prudent lors du rainurage.
44. Certaines poussières générées lors de l'utilisation de l'outil contiennent des produits chimiques susceptibles de causer le cancer, des anomalies congénitales ou d'autres problèmes de reproduction. Parmi ces produits chimiques figurent notamment :
 - le plomb des matériaux recouverts de peinture à base de plomb, ainsi que
 - l'arsenic et le chrome du bois traité chimiquement.
 Les risques entraînés par l'exposition à ces produits varient suivant la fréquence d'exécution de ce type de travaux. Pour réduire votre exposition à ces produits chimiques : travaillez dans une zone bien ventilée et avec un équipement de sécurité approuvé, tel que des masques à poussière spécialement conçus pour filtrer les particules microscopiques.
45. Pour réduire les émissions de bruit, assurez-vous toujours que la lame est bien aiguisée et propre.

46. Vous devez être correctement formé pour l'utilisation, le réglage et le fonctionnement de l'outil.

CONSERVEZ CES INSTRUCTIONS.

⚠ AVERTISSEMENT :
NE vous laissez PAS tromper (au fil d'une utilisation répétée) par un sentiment d'aisance et de familiarité avec le produit, en négligeant le respect rigoureux des consignes de sécurité qui accompagnent l'outil. Une UTILISATION INCORRECTE de l'outil ou le non-respect des consignes de sécurité indiquées dans ce manuel d'instructions peuvent causer des blessures graves.

INSTALLATION (Fig. 1 et 2)

À la sortie d'usine de l'outil, la poignée est verrouillée en position abaissée par la broche d'arrêt. Desserrez le boulon à l'aide de la clé fournie avec l'outil, et déplacez la tête porte-scie sur l'angle adéquat. Retirez le boulon et serrez la tête porte-scie à l'aide de la poignée de serrage.

Installation de la plaque auxiliaire (Fig. 3)

Installez la plaque auxiliaire au moyen de l'orifice qui se trouve dans le socle de l'outil, et immobilisez-la en serrant la vis.

Montage de l'établi

À la sortie d'usine de l'outil, la poignée est verrouillée en position abaissée par la broche d'arrêt. Libérez la broche d'arrêt en abaissant légèrement la poignée et en tirant sur la broche d'arrêt. (Fig. 4)

Cet outil doit être boulonné à une surface horizontale et stable au moyen de quatre boulons fixés dans les orifices à boulon qui se trouvent dans le socle de l'outil. Cela aidera à prévenir le renversement de l'outil et les risques de blessure. (Fig. 5)

DESCRIPTION DU FONCTIONNEMENT

ATTENTION :

- Assurez-vous toujours que l'outil est éteint et débranché avant de l'ajuster ou de vérifier son fonctionnement.

Carter de lame (Fig. 6)

Le carter de lame s'élève automatiquement lorsque vous abaissez la poignée. Le carter de lame est activé par un ressort, de sorte qu'il retourne sur sa position originale lorsque la coupe est terminée et que vous soulevez la poignée. **NE JAMAIS MODIFIER OU RETIRER LE CARTER DE LAME OU LE RESSORT FIXÉ AU CARTER.**

Pour assurer votre propre sécurité, maintenez toujours le carter de lame en bon état. Tout fonctionnement anormal du carter de lame doit être immédiatement corrigé. Assurez-vous que l'action de retour du ressort s'effectue correctement. **NE JAMAIS UTILISER L'OUTIL SI LE CARTER DE LAME OU LE RESSORT EST ENDOMMAGÉ, FONCTIONNE MAL OU A ÉTÉ RETIRÉ.**

CELA EST TRÈS DANGEREUX ET PEUT ENTRAÎNER UNE GRAVE BLESSURE.

Si le carter de lame transparent est sale ou recouvert de poussières au point de rendre la lame peu visible, débranchez la scie et nettoyez soigneusement le carter à l'aide d'un chiffon humide. N'utilisez aucun solvant ou nettoyant à base de pétrole pour nettoyer le carter de plastique. Si le carter de lame transparent est sale ou recouvert de poussières au point de rendre la lame ou la pièce peu visible, débranchez la scie et nettoyez soigneusement le carter à l'aide d'un chiffon humide. N'utilisez aucun solvant ou nettoyant à base de pétrole pour nettoyer le carter de plastique.

Si le carter de lame est très sale et qu'il est difficile de voir à travers, utilisez la clé fournie pour desserrer le boulon hexagonal qui retient le couvercle central. Desserrez le boulon hexagonal en le tournant dans le sens contraire des aiguilles d'une montre, puis soulevez le carter de lame et le couvercle central. Avec le carter de lame dans cette position, il est possible de nettoyer le carter de manière plus complète et efficace. Une fois le nettoyage terminé, effectuez la procédure en sens inverse et serrez le boulon. Ne retirez pas le ressort qui retient le carter de lame. Si le carter se décolore avec le temps ou sous l'effet de l'exposition aux rayons ultraviolets, contactez un centre de service Makita pour vous procurer un nouveau carter. **NE PAS MODIFIER OU RETIRER LE CARTER.** (Fig. 7)

Plateau de découpe (Fig. 8)

Cet outil est équipé d'un plateau de découpe, sur le socle rotatif, pour minimiser le fendillement du côté de sortie de la coupe. Si la rainure n'a pas été pratiquée dans le plateau de découpe en usine, vous devez le faire avant d'utiliser l'outil pour couper une pièce. Mettez le contact et abaissez doucement la lame pour pratiquer une rainure dans le plateau de découpe.

Maintenir la capacité de coupe maximale

Cet outil est réglé en usine pour fournir une capacité de coupe maximale avec une lame de 255 mm.

Lorsque vous installez une lame neuve, vérifiez toujours la position limite inférieure de la lame et, au besoin, réglez-la comme suit :

Commencez par débrancher l'outil. Abaissez complètement la poignée. Utilisez la clé pour tourner le boulon de réglage jusqu'à ce que la périphérie de la lame dépasse légèrement sous la face supérieure du socle rotatif, au point de rencontre entre la face avant du garde parallèle et la face supérieure du socle rotatif. (Fig. 9)

Avec l'outil débranché, tournez la lame manuellement tout en maintenant la poignée complètement abaissée pour vous assurer que la lame n'entre en contact avec aucune partie du socle inférieur. Réajustez légèrement, si nécessaire. (Fig. 10)

ATTENTION :

- Après l'installation d'une lame neuve, assurez-vous toujours qu'elle n'entre en contact avec aucune partie du socle inférieur lorsque la poignée est complètement abaissée. Effectuez toujours cette opération avec l'outil débranché.

Réglage de l'angle de coupe d'onglet (Fig. 11)

Desserrez la poignée en la tournant dans le sens contraire des aiguilles d'une montre. Tournez le socle rotatif tout en abaissant le levier de sécurité. Après avoir déplacé la poignée sur la position où l'index pointe sur l'angle désiré sur l'échelle de coupe d'onglet, serrez fermement le manche en tournant dans le sens des aiguilles d'une montre.

ATTENTION :

- Vous devez soulever la poignée complètement avant de tourner le socle rotatif.
- Après avoir changé l'angle de coupe d'onglet, immobilisez toujours le socle rotatif en serrant fermement le manche.

Réglage de l'angle de biseau (Fig. 12 et 13)

Pour régler l'angle de biseau, desserrez la poignée de serrage à l'arrière de l'outil en tournant dans le sens contraire des aiguilles d'une montre.

Poussez la poignée vers la gauche pour incliner la lame jusqu'à ce que l'index pointe vers l'angle désiré sur l'échelle de coupe en biseau.

Serrez ensuite la poignée de serrage dans le sens des aiguilles d'une montre pour immobiliser le bras.

ATTENTION :

- Vous devez soulever la poignée complètement avant d'incliner la lame.
- Après avoir changé l'angle de biseau, immobilisez toujours le bras en serrant la poignée de serrage dans le sens des aiguilles d'une montre.

Interrupteur

ATTENTION :

- Avant de brancher l'outil, vérifiez toujours que la gâchette fonctionne correctement et revient en position d'arrêt (« OFF ») lorsqu'elle est relâchée.

Pour les pays d'Europe (Fig. 14)

Pour faire démarrer l'outil, poussez le levier vers la droite puis appuyez sur la gâchette. Pour l'arrêter, relâchez la gâchette.

Pour tous les pays non européens (Fig. 15)

Pour mettre l'outil en marche, appuyez simplement sur la gâchette. Pour l'arrêter, relâchez la gâchette.

AVERTISSEMENT :

- N'utilisez JAMAIS un outil dont la gâchette ne fonctionne pas parfaitement. Tout outil dont la gâchette ne fonctionne pas bien est **EXTRÊMEMENT DANGEREUX** et doit être réparé avant toute nouvelle utilisation.

ASSEMBLAGE

ATTENTION :

- Avant d'effectuer toute intervention sur l'outil, assurez-vous toujours qu'il est éteint et débranché.

Installation et retrait de la lame

ATTENTION :

- Assurez-vous toujours que l'outil est hors tension et débranché avant d'installer ou de retirer la lame.

- Utilisez exclusivement la clé Makita fournie pour installer ou retirer la lame. Autrement vous risquez d'effectuer un serrage excessif ou insuffisant du boulon hexagonal. Cela comporte un risque de blessure.

Pour retirer ou installer la lame, gardez la poignée en position élevée. (Fig. 16)

Pour retirer la lame, utilisez la clé pour desserrer le boulon hexagonal qui retient le couvercle central, en tournant dans le sens contraire des aiguilles d'une montre. Soulevez le carter de lame et le couvercle central. (Fig. 17)

Appuyez sur le blocage de l'arbre pour verrouiller l'axe et utilisez la clé pour desserrer le boulon hexagonal, en tournant dans le sens des aiguilles d'une montre. Retirez ensuite le boulon hexagonal, le flasque extérieur et la lame. (Fig. 18)

Pour installer la lame, montez-la prudemment sur l'axe, en vous assurant que le sens indiqué par la flèche de la lame correspond à celle de la flèche du porte-lame. Installez le flasque extérieur et le boulon hexagonal, puis utilisez la clé pour serrer le boulon hexagonal (fileté vers la gauche) fermement en tournant dans le sens contraire des aiguilles d'une montre tout en appuyant sur le blocage de l'arbre. (Fig. 19 et 20)

ATTENTION :

- Une bague à diamètre extérieur de 25,4 mm ou 30 mm est installée sur l'axe en usine. Avant de monter la lame sur l'axe, assurez-vous toujours d'avoir installé la bonne bague pour l'alsage central de la lame que vous prévoyez utiliser.

Installez le flasque extérieur et le boulon hexagonal, puis utilisez la clé pour serrer le boulon hexagonal (fileté vers la gauche) fermement en tournant dans le sens contraire des aiguilles d'une montre tout en appuyant sur le blocage de l'arbre.

Remettez en position initiale le carter de lame et le couvercle central. Serrez ensuite le boulon hexagonal dans le sens des aiguilles d'une montre pour immobiliser le couvercle central. Abaissez la poignée pour vous assurer que le carter de lame se déplace correctement. Avant d'effectuer la coupe, assurez-vous que le blocage de l'arbre a libéré l'axe.

Garde auxiliaire (pour les pays d'Europe uniquement) (Fig. 21)

Cet outil est équipé d'un garde auxiliaire. Ce garde auxiliaire doit généralement être placé à l'intérieur. Cependant, lors des coupes en biseau sur la gauche, tournez-le vers l'extérieur.

ATTENTION :

- Pour effectuer des coupes en biseau sur la gauche, tournez le garde auxiliaire vers l'extérieur. Sinon, il risque de toucher la lame ou une autre pièce de l'outil et de vous blesser grièvement.

Sac à poussières (Fig. 22 et 23)

L'utilisation du sac à poussières permet d'effectuer la coupe de manière propre et elle facilite la collecte des poussières. Pour fixer le sac à poussières, insérez-le dans le raccord à poussières.

Lorsque le sac à poussières est environ à moitié plein, retirez-le de l'outil et ouvrez la fermeture-éclair. Videz le

sac en le tapotant pour détacher les particules qui adhèrent à l'intérieur et peuvent empêcher la collecte des poussières.

REMARQUE :

Si vous raccordez un aspirateur Makita à la scie, vous effectuerez votre travail de façon plus efficace et plus propre.

Immobiliser la pièce à travailler

AVERTISSEMENT :

- Il est extrêmement important de toujours immobiliser correctement la pièce à travailler et de la serrer fermement à l'aide de l'étau. Autrement vous risquez d'endommager l'outil et/ou de détruire la pièce. CELA COMPORTE ÉGALEMENT UN RISQUE DE BLESSURE. De plus, après la coupe, NE soulevez PAS la lame avant qu'elle ne soit parfaitement arrêtée.

ATTENTION :

- Lorsque vous coupez de longues pièces, utilisez des supports aussi hauts que le niveau de la face supérieure du socle rotatif. N'immobilisez pas la pièce à travailler uniquement à l'aide de l'étau vertical et/ou de l'étau horizontal. Les matériaux minces ont tendance à s'affaisser. La pièce doit être soutenue sur toute sa longueur pour éviter que la lame ne se coince, ce qui comporte un risque de CHOC EN RETOUR. (Fig. 24)

Étau vertical (Fig. 25)

Deux positions sont possibles pour l'étau vertical, du côté gauche ou droit du garde parallèle. Insérez la tige de l'étau dans l'orifice du garde parallèle et serrez la vis pour immobiliser la tige de l'étau.

Placez le bras de l'étau en fonction de l'épaisseur et de la forme de la pièce à travailler, et serrez le bras de l'étau en serrant la vis. Assurez-vous qu'aucune partie de l'outil n'entre en contact avec l'étau lorsque la poignée est complètement abaissée. Dans le cas contraire, modifiez la position de l'étau.

Appuyez sur la pièce pour la mettre à plat contre le garde parallèle et le socle rotatif. Placez la pièce à travailler sur la position de coupe désirée et immobilisez-la fermement en serrant la poignée de serrage de l'étau.

ATTENTION :

- La pièce doit être fixée fermement contre le socle rotatif et le garde parallèle avec l'étau lors de tout travail de coupe.

UTILISATION (Fig. 26)

ATTENTION :

- Avant l'utilisation, vous devez libérer la poignée de la position abaissée en tirant sur la broche d'arrêt.
- Avant de mettre le contact, assurez-vous que la lame ne touche pas la pièce à travailler ou tout autre objet.
- N'appliquez pas une pression excessive sur la poignée pendant la coupe. Une force excessive peut entraîner une surcharge du moteur et/ou réduire l'efficacité de la coupe. N'appliquez que la force nécessaire pour abaisser la poignée afin d'effectuer une coupe en douceur sans diminution significative de la vitesse de la lame.

- Abaissez doucement la poignée pour effectuer la coupe. Si vous forcez la poignée pour l'abaisser ou si une force latérale est appliquée, le lame vibrera et laissera une marque (marque de scie) sur la pièce et la précision de la coupe sera moindre.

1. Découpe à la presse (Fig. 27)

Immobilisez la pièce à l'aide de l'étau. Mettez l'outil en marche sans que la lame n'entre en contact avec quoi que ce soit, et attendez que la lame atteigne sa pleine vitesse avant de l'abaisser. Abaissez ensuite doucement la poignée jusqu'en position complètement abaissée pour couper la pièce. Une fois la coupe terminée, coupez le contact de l'outil et **ATTENDEZ L'ARRÊT COMPLET DE LA LAME** avant de relever complètement la lame.

2. Coupe d'onglet

Reportez-vous à la section précédente, « Réglage de l'angle de coupe d'onglet ».

3. Coupe en biseau (Fig. 28)

Desserrez la poignée de serrage et inclinez la lame pour régler l'angle de biseau (reportez-vous à la section « Réglage de l'angle de biseau »). Vous devez resserrer la poignée de serrage fermement pour bien immobiliser la lame sur l'angle de biseau sélectionné. Immobilisez la pièce à l'aide d'un étau. Mettez l'outil en marche sans que la lame n'entre en contact avec quoi que ce soit, et attendez que la lame atteigne sa pleine vitesse. Abaissez ensuite doucement la poignée jusqu'en position complètement abaissée, tout en appliquant une pression parallèle à la lame. Une fois la coupe terminée, coupez le contact de l'outil et **ATTENDEZ L'ARRÊT COMPLET DE LA LAME** avant de relever complètement la lame.

ATTENTION :

- Assurez-vous toujours que la lame se déplacera dans le sens du biseau lorsque vous effectuez une coupe en biseau. Maintenez les mains hors de la ligne de coupe de la lame.
- Lors d'une coupe en biseau, il peut arriver que la partie qui se détache de la pièce coupée repose contre le côté de la lame. Si vous soulevez la lame alors qu'elle tourne encore, ce bout de pièce risque d'être happé par la lame et de dangereux fragments seront projetés. La lame doit être soulevée **UNIQUEMENT** après son arrêt complet.
- Lorsque vous abaissez la poignée, appliquez une pression parallèle à la lame. Si la pression appliquée n'est pas parallèle à la lame pendant la coupe, l'angle de la lame risque d'être modifié, ce qui affectera la précision de la coupe.
- (Pour les pays d'Europe uniquement), placez toujours le garde auxiliaire vers l'extérieur lorsque vous réalisez des coupes en biseau sur la gauche.

4. Coupe mixte

La coupe mixte consiste à effectuer en même temps une coupe en biseau et une coupe d'onglet sur une pièce. La coupe mixte est possible pour les angles indiqués dans le tableau.

Angle de biseau	Angle de coupe d'onglet
45°	0 à 45° sur la gauche et sur la droite

006366

Pour effectuer une coupe mixte, reportez-vous aux explications des sections « Découpe à la presse », « Coupe d'onglet » et « Coupe en biseau ».

5. Coupe d'extrusion d'aluminium (Fig. 29)

Pour immobiliser des extrusions d'aluminium, utilisez des blocs entretoises ou des bouts de ferraille en procédant comme indiqué sur l'illustration pour éviter que l'aluminium ne se déforme. Utilisez un lubrifiant de coupe lorsque vous coupez des extrusions d'aluminium, pour éviter que l'aluminium ne s'accumule sur la lame.

ATTENTION :

- N'essayez jamais de couper des extrusions d'aluminium épaisses ou rondes. Les extrusions d'aluminium épaisses peuvent se détacher pendant la coupe, et il n'est pas possible d'immobiliser solidement des extrusions d'aluminium rondes avec cet outil.

6. Parement de bois

L'utilisation d'un parement de bois aide à effectuer des coupes sans fente. Fixez le parement de bois au garde parallèle au moyen des orifices de ce dernier. Concernant les dimensions suggérées pour le parement de bois, reportez-vous à l'illustration. (Fig. 30)

ATTENTION :

- Comme parement de bois, utilisez du bois droit et d'épaisseur uniforme.
- Fixez le parement de bois au garde parallèle à l'aide de vis. Les vis doivent être insérées de sorte que les têtes de vis se trouvent sous la surface du parement de bois.
- Une fois le parement de bois fixé, ne tournez pas le socle rotatif avec la poignée abaissée. La lame et/ou le parement de bois serait abîmé.
- La largeur de coupe maximale diminue en fonction de la largeur du parement de bois.

7. Coupes répétées de même longueur (Fig. 31)

Pour couper plusieurs pièces de la même longueur, sur une plage de 240 mm à 380 mm, l'utilisation de la plaque de fixation (accessoire en option) facilitera l'exécution plus efficace du travail. Installez la plaque de fixation sur le support (accessoire en option), tel qu'indiqué sur l'illustration. Alignez la ligne de coupe de la pièce sur le côté droit ou gauche de la rainure du plateau de découpe, et tout en retenant la pièce déplacez la plaque de fixation pour l'aligner parfaitement contre le bout de la pièce. Immobilisez ensuite la plaque de fixation au moyen de la vis. Lorsque vous n'utilisez pas la plaque de fixation, desserrez la vis et dégagez la plaque de fixation.

Transport de l'outil (Fig. 32)

Assurez-vous que l'outil est débranché. Immobilisez la lame sur un angle de biseau de 0° et le socle rotatif sur l'angle d'onglet de gauche maximal. Abaissez complètement la poignée et verrouillez-la dans cette position en enfonçant la broche d'arrêt. Transportez l'outil en le tenant par son manche de transport, tel qu'indiqué

sur l'illustration. Si vous retirez les supports, le sac à poussières et autres accessoires, l'outil sera plus facile à transporter. (Fig. 33)

ATTENTION :

- Fixez toujours toutes les parties mobiles avant de transporter l'outil.
- La broche d'arrêt est conçue pour le transport et le rangement de l'outil, jamais pour les travaux de coupe.

MAINTENANCE

ATTENTION :

- Assurez-vous toujours que l'outil est éteint et débranché avant d'effectuer tout travail d'inspection ou de maintenance.
- N'utilisez jamais d'essence, de benzine, de diluant, d'alcool ou de produit similaire. Ces produits risquent de provoquer des décolorations, des déformations ou des fissures.

AVERTISSEMENT :

- Assurez-vous toujours que la lame est bien affûtée et propre pour qu'elle coupe de manière sûre et optimale.

Réglage de l'angle de coupe

Cet outil a été réglé et aligné soigneusement en usine, mais son alignement peut avoir été affecté par une mauvaise manipulation. Si l'outil n'est pas bien aligné, procédez comme suit :

1. Angle de coupe d'onglet (Fig. 34)

Desserrez le manche qui retient le socle rotatif. Tournez le socle rotatif de sorte que l'index pointe sur 0° sur l'échelle de coupe d'onglet. Serrez le manche et, à l'aide de la clé, desserrez les boulons hexagonaux qui retiennent le garde parallèle. Si l'index ne pointe pas sur 0° sur l'échelle de coupe d'onglet, desserrez la vis qui retient l'index, puis déplacez et immobilisez la plaque de l'index de sorte que l'index pointe sur 0° sur l'échelle de coupe d'onglet.

Abaissez complètement la poignée et verrouillez-la dans cette position en enfonçant la broche d'arrêt. Placez le côté de la lame à angle droit par rapport à la surface du garde parallèle à l'aide d'une règle triangulaire, d'une équerre de menuisier, etc. Vissez ensuite les boulons hexagonaux du garde parallèle, dans l'ordre, en commençant du côté droit. (Fig. 35)

2. Angle de biseau

(1) Angle de biseau 0° (Fig. 36)

Abaissez complètement la poignée et verrouillez-la dans cette position en enfonçant la broche d'arrêt. Desserrez la poignée de serrage à l'arrière de l'outil. Desserrez l'écrou hexagonal et tournez de deux ou trois tours, dans le sens des aiguilles d'une montre, le boulon de réglage de l'angle de coupe en biseau 0° du côté droit du socle rotatif, pour incliner la lame vers la droite.

Placez soigneusement le côté de la lame à angle droit par rapport à la face supérieure du socle rotatif à l'aide d'une règle triangulaire, d'une équerre de menuisier, etc., en tournant dans le sens contraire des aiguilles d'une montre le boulon de réglage de l'angle de biseau 0°. Serrez ensuite l'écrou hexagonal pour immobiliser le boulon de réglage de l'angle de biseau 0°, puis serrez la poignée de serrage fermement.

Assurez-vous que l'index du bras pointe sur 0° sur l'échelle de coupe en biseau. S'il ne pointe pas sur 0° sur l'échelle de coupe d'onglet, desserrez la vis qui retient l'index, puis déplacez et immobilisez la plaque de l'index de sorte que l'index pointe sur 0° sur l'échelle de coupe d'onglet. (Fig. 37 et 38)

(2) Angle de biseau 45° (Fig. 39)

Ne réglez sur l'angle de coupe en biseau 45° qu'après avoir réglé sur l'angle de coupe en biseau 0°. Pour régler sur l'angle de coupe en biseau 45° de gauche, desserrez la poignée de serrage et inclinez la lame complètement sur la gauche. Assurez-vous que l'index du bras pointe sur 45° sur l'échelle de coupe en biseau sur le bras. Si l'index ne pointe pas sur 45°, tournez le boulon de réglage d'angle de biseau 45° sur le côté gauche du bras jusqu'à ce que l'index pointe sur 45°.

Remplacement des charbons (Fig. 40)

Retirez et vérifiez les charbons régulièrement.

Remplacez-les lorsqu'ils sont usés jusqu'à une longueur de 3 mm. Gardez les charbons propres et libres de glisser dans les porte-charbons. Les deux charbons doivent être remplacés en même temps. Utilisez uniquement des charbons identiques.

Retirez les bouchons de porte-charbon à l'aide d'un tournevis. Enlevez les charbons usés, insérez les neufs et remettez en place les bouchons de porte-charbon.

(Fig. 41)

Après l'utilisation

- Après l'utilisation, enlevez les copeaux et poussières qui adhèrent à l'outil, à l'aide d'un chiffon ou d'un objet similaire. Gardez le carter de lame propre en suivant les instructions de la section intitulée « Carter de lame ». Pour éviter que les pièces coulissantes ne rouillent, graissez-les avec de l'huile à machine.

Pour assurer la SÉCURITÉ et la FIABILITÉ du produit, toute réparation et tout travail d'entretien ou de réglage doivent être effectués par un Centre de service après-vente agréé Makita, avec des pièces de rechange Makita.

Bruit

ENG905-1

Les niveaux de bruit pondéré A typiques ont été mesurés selon la norme EN61029 :

Niveau de pression sonore (L_{pA}) : 92 dB (A)

Niveau de puissance sonore (L_{WA}) : 105 dB (A)

Incertitude (K) : 3 dB (A)

Portez des protections auditives.

Pour les pays d'Europe uniquement

ENH003-15

Déclaration de conformité CE

Makita déclare que la/les machine(s) suivante(s) :

Nom de la machine :

Scie à Coupe d'Onglet

N° de modèle/Type : MLS100

sont conformes aux directives européennes suivantes :

2006/42/CE

sont produites conformément aux normes ou documents de normalisation suivants :

EN61029

Le dossier technique conforme à la norme 2006/42/CE
est disponible auprès de :

Makita, Jan-Baptist Vinkstraat 2, 3070, Belgique

30. 5. 2014

A handwritten signature in black ink, appearing to read 'Yasushi Fukaya'.

Yasushi Fukaya
Directeur

Makita, Jan-Baptist Vinkstraat 2, 3070, Belgique

DEUTSCH (Originalanweisungen)

Erklärung der Gesamtdarstellung

- | | | |
|---------------------------|----------------------------|----------------------------------------|
| 1. Schraubenschlüssel | 19. Mittenabdeckung | 37. Schraubstock |
| 2. Knopf | 20. Sechskantschraube | 38. Abstandsblock |
| 3. Zusatzplatte | 21. Sägeblattgehäuse | 39. Aluminiumprofil |
| 4. Schraube | 22. Pfeil | 40. Abstandsblock |
| 5. Auflage | 23. Sägeblatt | 41. über 10 mm |
| 6. Anschlagstift | 24. Spindel | 42. über 460 mm |
| 7. Bolzen | 25. Flansch | 43. Loch |
| 8. Blattschutz | 26. Ring | 44. Feststellplatte |
| 9. Schlitzplatte | 27. Zusatzanschlag | 45. Halter |
| 10. Einstellschraube | 28. Staubbeutel | 46. Anschlagstift |
| 11. Drehteller-Oberfläche | 29. Verschluss | 47. Einstelldreieck |
| 12. Sägeblattumfang | 30. Halterung | 48. Einstellschraube für 0°-Rasterung |
| 13. Gehrungsanschlag | 31. Drehteller | 49. Einstellschraube für 45°-Rasterung |
| 14. Verriegelungshebel | 32. Schraubenzwingenkopf | 50. Bürstenhalterkappe |
| 15. Griff | 33. Schraube | 51. Schraubendreher |
| 16. Zeiger | 34. Schraubzwingenarm | |
| 17. Hebel | 35. Stehbolzen | |
| 18. Ein/Aus-Schalter | 36. Vertikal-Schraubklemme | |

TECHNISCHE ANGABEN

Modell	MLS100
Sägeblattdurchmesser	255 mm
Dicke des Sägeblatt-Grundkörpers	1,6 mm - 2,4 mm
Sägeblattbohrung	
Für alle Länder außerhalb Europas	25,4 mm
Für europäische Länder	30 mm
Maximale Schnitttiefe (H x B) mit 255-mm-Durchmesser Sägeblatt	

Neigungswinkel	Gehrungswinkel	
	0°	45° (links und rechts)
0°	75 mm x 130 mm	75 mm x 90 mm
45° (links)	48 mm x 120 mm	48 mm x 90 mm

Leerlaufgeschwindigkeit (min. ⁻¹)	4.200
Abmessungen (L x B x H)	610 mm x 485 mm x 515 mm
Nettogewicht	14,7 kg
Sicherheitsklasse	II/III


- Aufgrund unserer beständigen Forschungen und Weiterentwicklungen sind Änderungen an den hier angegebenen Technischen Daten ohne Vorankündigung vorbehalten.
- Die Technischen Daten können in den einzelnen Ländern voneinander abweichen.
- Gewicht entsprechend EPTA-Verfahren 01/2003

Symbole


END217-5

Im Folgenden sind die im Zusammenhang mit diesem Gerät verwendeten Symbole dargestellt.

Machen Sie sich vor der Benutzung des Geräts unbedingt mit diesen Symbolen vertraut!

 Lesen Sie die Bedienungsanleitung!

 **DOPPELT SCHUTZISOLIERT**

 Um Verletzungen durch umherfliegende Sägeabfälle zu vermeiden, halten Sie den Sägekopf nach dem Ausführen der Schnitte abgesenkt, bis das Sägeblatt zum völligen Stillstand gekommen ist.



..... Halten Sie Hände und Finger vom Sägeblatt fern.



..... Zur Sicherheit des Bedieners sollten Späne, Kleinteile usw. vor Beginn der Arbeit aus dem Arbeitsbereich entfernt werden.



..... Stellen Sie den ZUSATZANSCHLAG immer auf die linke Position, wenn Sie linksseitige Neigungsschnitte durchführen. Anderenfalls kann sich der Bediener der Säge schwer verletzen.



..... Drehen Sie die Schraube zum Lösen im Uhrzeigersinn.



Nur für EU-Länder

Werfen Sie Elektrowerkzeuge nicht in den Hausmüll!

Gemäß der Europäischen Richtlinie über Elektro- und Elektronik-Altgeräte und ihrer Umsetzung in nationales Recht müssen verbrauchte Elektrowerkzeuge getrennt gesammelt und einer umweltgerechten Wiederverwertung zugeführt werden.

Verwendungszweck

ENE004-1

Die Maschine ist für genaue Gerad- und Gehrungsschnitte in Holz vorgesehen. Mit entsprechenden Sägeblättern kann auch Aluminium gesägt werden.

Stromversorgung

ENF002-2

Das Werkzeug darf nur an eine Stromversorgung mit Einphasen-Wechselstrom mit der auf dem Typenschild angegebenen Spannung angeschlossen werden. Das Werkzeug verfügt über ein doppelt isoliertes Gehäuse und kann daher auch an einer Stromversorgung ohne Schutzkontakt betrieben werden.

Allgemeine Sicherheitshinweise für Elektrowerkzeuge

GEA010-1

⚠ WARNUNG Lesen Sie alle Sicherheitshinweise und Anweisungen sorgfältig durch. Wenn die Hinweise und Anweisungen nicht beachtet werden, besteht die Gefahr eines Stromschlags, Brands und/oder das Risiko von ernsthaften Verletzungen.

Bewahren Sie alle Hinweise und Anweisungen zur späteren Referenz gut auf.

SICHERHEITSHINWEISE FÜR GEHRUNGSSÄGE

ENB034-8

1. Halten Sie die Hände vom Weg des Sägeblatts fern. Vermeiden Sie jede Berührung des Sägeblatts bei laufender Maschine. Das rotierende Sägeblatt kann auch bei ausgeschalteter Maschine noch schwere Verletzungen verursachen.
2. Überprüfen Sie das Sägeblatt vor der Inbetriebnahme sorgfältig auf Risse oder Verformungen. Ersetzen Sie beschädigte Sägeblätter sofort.
3. Wechseln Sie eine abgenutzte Schlietzplatte aus.
4. Verwenden Sie ausschließlich vom Hersteller zugelassene Sägeblätter, die der Norm EN847-1 entsprechen.
5. Verwenden Sie keine Sägeblätter aus HSS-Stahl.
6. Tragen Sie eine Schutzbrille!
7. Tragen Sie Gehörschutz, um der Gefahr von Hörverlusten vorzubeugen.
8. Tragen Sie beim Umgang mit Sägeblättern (Sägeblätter sollten möglichst in einem entsprechenden Halter getragen werden) und mit rauen Materialien Schutzhandschuhe.
9. Schließen Sie Gehrungssägen beim Sägen an eine Staubabsaugvorrichtung an.
10. Wählen Sie die Sägeblätter entsprechend des zu schneidenden Materials.
11. Verwenden Sie die Säge nicht, um andere Materialien als Holz, Aluminium oder ähnliche Werkstoffe zu sägen.
12. Sichern Sie vor dem Transportieren des Werkzeugs immer die beweglichen Teile. Verwenden Sie die Schutzvorrichtung nicht als Tragegriff, wenn Sie das Werkzeug anheben oder transportieren.
13. Vergewissern Sie sich, dass die Schutzvorrichtungen vorschriftsmäßig angebracht sind, bevor Sie das Gerät einschalten. Prüfen Sie vor jeder Inbetriebnahme, ob der Sägeblattschutz korrekt schließt. Verwenden Sie die Säge niemals, wenn der Sägeblattschutz sich nicht ungehindert bewegen lässt und nicht unverzüglich schließt. Der bewegliche Sägeblattschutz darf niemals in der geöffneten Stellung festgeklemmt oder festgebunden werden.
14. Halten Sie den Fußbodenbereich frei von losen Materialien, wie z.B. Sägemehl oder Späne.
15. Verwenden Sie ausschließlich Sägeblätter, deren maximal zulässige Drehzahl gemäß Kennzeichnung auf oder über der auf dem Werkzeug angegebenen Leerlaufdrehzahl liegt.
16. Falls das Werkzeug mit einem Laser oder einer LED ausgestattet ist, darf weder der Laser noch die LED durch einen anderen Typ ersetzt werden. Wenden Sie sich zur Reparatur an ein autorisiertes Servicecenter.
17. Entfernen Sie niemals Späne oder andere Teile des Werkstücks aus dem Schnittbereich, während das Werkzeug in Betrieb und das Sägeblatt ungeschützt ist.
18. Führen Sie keine Freihandarbeiten aus. Das Werkstück muss bei allen Arbeiten fest eingespannt werden und am Gehrungsanschlag sowie am Drehteller anliegen. Halten Sie das Werkstück nicht mit den Händen.
19. Stellen Sie vor jedem Schnitt sicher, dass das Werkzeug stabil steht.
20. Befestigen Sie das Werkzeug ggf. auf einer Werkbank.
21. Stützen Sie lange Werkstücke mit zusätzlichen Auflagern ab.
22. Sägen Sie niemals Werkstücke, die so klein sind, dass sie nicht sicher mit dem Schraubstock befestigt werden können. Unsachgemäß befestigte Werkstücke können zu Rückschlag und schweren Verletzungen führen.
23. Fassen Sie nie um das Sägeblatt herum.
24. Schalten Sie das Gerät aus und warten Sie, bis das Sägeblatt zum Stillstand gekommen ist, bevor Sie das Werkstück bewegen oder Einstellungen an der Maschine vornehmen.
25. Ziehen Sie den Netzstecker, bevor Sie das Sägeblatt wechseln oder Wartungsarbeiten an der Maschine ausführen.
26. Der Arretierstift zum Sichern des Sägekopfs in der unteren Position dient nur zu Transport- und Lagerzwecken und nicht für Sägevorgänge.

27. **Betreiben Sie das Gerät nicht in der Nähe leicht entzündlicher Flüssigkeiten oder Gase.** Aufgrund des Elektrobetriebs des Werkzeugs kann eine Explosion oder ein Brand entstehen, wenn es entzündlichen Flüssigkeiten oder Gasen ausgesetzt ist.
 28. **Verwenden Sie ausschließlich die für dieses Werkzeug vorgeschriebenen Flansche.**
 29. **Achten Sie sorgfältig darauf, dass Welle, Flansche (insbesondere deren Montageflächen) und Schraube nicht beschädigt werden. Eine Beschädigung dieser Teile kann zu Schäden am Sägeblatt führen.**
 30. **Vergewissern Sie sich, dass der Drehteller arretiert ist und sich während des Sägebetriebes nicht bewegt.**
 31. **Zur Sicherheit des Bedieners sollten Späne, Kleinteile usw. vor Beginn der Arbeit aus dem Arbeitsbereich entfernt werden.**
 32. **Vermeiden Sie es, in Nägel zu schneiden. Untersuchen Sie das Werkstück vor Arbeitsbeginn auf Nägel und entfernen Sie diese ggf.**
 33. **Vergewissern Sie sich, dass die Spindelarretierung gelöst ist, bevor Sie das Gerät einschalten.**
 34. **Achten Sie darauf, dass das Sägeblatt in seiner niedrigsten Position den Drehteller nicht berührt.**
 35. **Halten Sie den Handgriff mit festem Griff. Die Säge kann sich während des Anlauf- bzw. Auslaufvorgangs leicht nach oben oder unten bewegen.**
 36. **Achten Sie vor dem Einschalten des Werkzeugs darauf, dass das Sägeblatt das Werkstück nicht berührt.**
 37. **Bevor Sie das Werkzeug auf das zu bearbeitende Werkstück ansetzen, lassen Sie es einige Zeit ohne Last laufen. Achten Sie auf Vibrationen und Schlägen; diese Phänomene können auf ein beschädigtes oder nicht fachgerecht eingebautes Blatt hindeuten.**
 38. **Warten Sie vor dem Ausführen des Schnitts, bis das Sägeblatt seine volle Drehzahl erreicht hat.**
 39. **Unterbrechen Sie bei Auftreten von Störungen den Betrieb sofort.**
 40. **Versuchen Sie nicht, den Schalter in der Ein-Stellung zu arretieren.**
 41. **Arbeiten Sie immer mit voller Aufmerksamkeit, besonders bei sich wiederholenden, monotonen Handlungsabläufen. Lassen Sie sich nicht in falscher Sicherheit wiegen. Sägeblätter kennen keine Gnade!**
 42. **Verwenden Sie ausschließlich die in dieser Anleitung empfohlenen Zubehörteile. Die Verwendung ungeeigneter Zubehörteile, wie z.B. Schleifscheiben, kann zu Verletzungen führen.**
 43. **Gehen Sie beim Sägen von Nuten besonders aufmerksam und umsichtig vor.**
 44. **Bestimmter Staub, der beim Betrieb entsteht, enthält Chemikalien, die Krebs, Geburtsschäden und andere Fortpflanzungsschäden verursachen können. Zu diesen Chemikalien gehören unter anderem:**
 - Blei aus mit Bleifarben gestrichenen Materialien und
 - Arsen und Chrom aus chemisch behandeltem Holz.
- Die Höhe der Gesundheitsgefährdung hängt davon ab, wie oft Sie derartige Arbeiten ausführen. Halten Sie Ihre Belastung durch diese Chemikalien möglichst gering: Arbeiten Sie in einem gut belüfteten Bereich und arbeiten Sie mit den zugelassenen Schutzvorrichtungen, dazu gehören Staubmasken, die speziell für die Filterung mikroskopischer Partikel vorgesehen sind.**
45. **Achten Sie darauf, dass das Sägeblatt immer scharf und sauber ist, um den Geräuschpegel niedrig zu halten.**
 46. **Der Bediener muss in der Verwendung, der Einstellung und dem Betrieb des Werkzeugs ausreichend ausgebildet sein.**

BEWAHREN SIE DIESE ANLEITUNG SORGFÄLTIG AUF.

⚠️ WARNUNG:

Lassen Sie sich NIE durch Bequemlichkeit oder (aus fortwährendem Gebrauch gewonnener) Vertrautheit mit dem Werkzeug dazu verleiten, die Sicherheitsregeln für das Werkzeug zu missachten. Bei MISSBRÄUCLICHER Verwendung des Werkzeugs oder bei Missachtung der in diesem Handbuch enthaltenen Sicherheitshinweise kann es zu schweren Verletzungen kommen.

MONTAGE (Abb. 1 und 2)

Der Handgriff wird werkseitig vor dem Versand mit dem Anschlagstift in der Tiefstellung verriegelt. Lösen Sie die Schraube mit einem Steckschlüssel, der mit dem Gerät geliefert wurde, und stellen Sie den Sägekopf auf den rechten Winkel ein. Entfernen Sie die Schraube und sichern Sie den Sägekopf mit dem Knopf.

Montage der Zusatzplatte (Abb. 3)

Bringen Sie die Zusatzplatte an dem Loch in der Auflageplatte der Maschine an und sichern Sie sie, indem Sie die Schraube festziehen.

Werkbankaufstellung

Der Handgriff wird werkseitig vor dem Versand mit dem Anschlagstift in der Tiefstellung verriegelt. Lösen Sie die Verriegelung, indem Sie den Handgriff etwas herunterdrücken und den Anschlagstift herausziehen. (Abb. 4)

Diese Maschine ist mit vier Schrauben durch die Schraubenbohrungen im Auflagetisch der Maschine auf einer waagerechten und stabilen Oberfläche zu montieren. So verhindern Sie ein Umkippen und mögliche Verletzungen. (Abb. 5)

FUNKTIONSBESCHREIBUNG

ACHTUNG:

- Schalten Sie das Werkzeug stets aus, und ziehen Sie den Stecker, bevor Sie Einstellungen oder eine Funktionsprüfung des Werkzeugs vornehmen.

Blattschutz (Abb. 6)

Wird der Handgriff abgesenkt, hebt sich der Blattschutz automatisch. Der Blattschutz ist mit einer Sprungfeder versehen und kehrt daher in seine Ausgangsstellung zurück, wenn der Schnitt vollendet ist und der Handgriff angehoben wird. **ENTFERNEN SIE NIEMALS DEN BLATTSCHUTZ ODER DIE FEDER, DIE MIT DEM SCHUTZ VERBUNDEN IST, UND MACHEN SIE SIE NICHT UNWIRKSAM.**

Im Interesse Ihrer eigenen Sicherheit sollten Sie den Blattschutz stets in ordnungsgemäßem Zustand halten. Etwaige Mängel des Blattschutzes müssen unverzüglich behoben werden. Überprüfen Sie, dass der Schutz durch die Sprungfeder ordnungsgemäß in seine Position zurückkehrt. **VERWENDEN SIE DAS WERKZEUG NIEMALS, WENN DER BLATTSCHUTZ ODER DIE FEDER BESCHÄDIGT ODER DEFEKT SIND ODER ENTFERNT WURDEN. ANDERNFALLS IST DIE VERWENDUNG AUSSERST GEFÄHRLICH UND KANN SCHWERE PERSONENSCHÄDEN VERURSACHEN.**

Wenn der transparente Blattschutz schmutzig wird oder soviel Sägemehl an ihm haftet, dass das Sägeblatt nicht mehr ohne weiteres sichtbar ist, sollten Sie den Netzstecker der Säge ziehen und den Blattschutz mit einem feuchten Tuch sorgfältig reinigen. Verwenden Sie keine Lösungsmittel oder Reinigungsmittel auf Petroleumbasis zum Reinigen der Blattschutzes. Wenn der transparente Blattschutz schmutzig wird oder soviel Sägemehl an ihm haftet, dass das Sägeblatt und/oder das Werkstück nicht mehr ohne weiteres sichtbar sind, sollten Sie den Netzstecker der Säge ziehen und den Blattschutz mit einem feuchten Tuch sorgfältig reinigen. Verwenden Sie keine Lösungsmittel oder Reinigungsmittel auf Petroleumbasis zum Reinigen der Blattschutzes.

Wenn der Blattschutz stark verschmutzt ist und eine Sicht durch den Schutz nicht mehr möglich ist, verwenden Sie den mitgelieferten Schraubenschlüssel, um die Sechskantschraube zu lösen, mit der die Mittenabdeckung befestigt ist. Lösen Sie die Sechskantschraube, indem Sie sie gegen den Uhrzeigersinn drehen und heben Sie den Blattschutz und die Mittenabdeckung an. In dieser Position kann der Blattschutz umfassender und effizienter gereinigt werden. Wenn die Reinigung abgeschlossen ist, führen Sie die oben beschriebenen Schritte in umgekehrter Reihenfolge durch und sichern Sie die Schraube wieder. Entfernen Sie nicht die Feder, die den Blattschutz hält. Wenn sich der Blattschutz mit der Zeit oder durch Sonneneinstrahlung verfärbt, wenden Sie sich an ein Makita-Servicecenter, um einen neuen Blattschutz zu erhalten. **ENTFERNEN SIE DEN SCHUTZ NICHT UND MACHEN SIE IHN NICHT UNWIRKSAM. (Abb. 7)**

Schlitzplatte (Abb. 8)

Diese Maschine ist mit einer Schlitzplatte im Drehteller versehen, um ein Zersplittern an der Außenseite eines Schnittes zu minimieren. Wenn die Schlitzkerbe noch nicht werkseitig in die Schlitzplatte gesägt wurde, sollten Sie die Kerbe schneiden, bevor Sie das Werkzeug zum Schneiden eines Werkstücks verwenden. Schalten Sie das Werkzeug ein und senken Sie das Sägeblatt vorsichtig ab, um eine Kerbe in die Schlitzplatte zu sägen.

Beibehaltung der maximalen Schnittleistung

Diese Maschine ist werkseitig so eingestellt, dass die maximale Schnittleistung mit einem 255-mm-Sägeblatt erreicht wird.

Überprüfen Sie beim Anbringen eines neuen Sägeblatts den unteren Sägeblattanschlag und passen Sie ihn bei Bedarf wie folgt an:

Zunächst muss das Werkzeug ausgesteckt werden. Senken Sie den Handgriff völlig ab. Drehen Sie die Einstellschraube mit dem Schraubenschlüssel, bis der Sägeblattumfang am Berührungspunkt von Gehrungsanschlag-Vorderseite und Drehteller-Oberfläche geringfügig unterhalb der Drehteller-Oberfläche liegt.

(Abb. 9)

Drehen Sie das Sägeblatt bei abgezogenem Netzstecker von Hand, während Sie den Handgriff in der Tiefstellung halten, um sicherzugehen, dass das Sägeblatt keinen Teil des Auflagetisches berührt. Bei Bedarf ist eine Nachjustierung vorzunehmen. **(Abb. 10)**

ACHTUNG:

- Vergewissern Sie sich nach der Montage eines neuen Sägeblatts stets, dass das Sägeblatt in der Tiefstellung des Handgriffs keinen Teil des Auflagetisches berührt. Nehmen Sie diese Überprüfung stets bei abgezogenem Netzstecker vor.

Einstellen des Gehrungswinkels (Abb. 11)

Lösen Sie den Griff durch Drehung gegen den Uhrzeigersinn. Drehen Sie den Drehteller, während Sie den Arretierhebel niederdrücken. Bewegen Sie den Griff, bis der Zeiger auf den gewünschten Winkel der Gehrungswinkelskala zeigt, und ziehen Sie dann den Griff durch Drehung im Uhrzeigersinn fest.

ACHTUNG:

- Bringen Sie den Handgriff in die Hochstellung, bevor Sie den Drehteller drehen.
- Sichern Sie den Drehteller nach jeder Änderung des Gehrungswinkels stets durch Anziehen des Griffs gegen Verdrehen.

Einstellen des Neigungswinkels (Abb. 12 und 13)

Zum Einstellen des Neigungswinkels lösen Sie den Knopf an der Rückseite der Maschine gegen den Uhrzeigersinn. Schwenken Sie den Handgriff nach links, um den Sägekopf zu neigen, bis der Zeiger auf den gewünschten Winkel der Neigungswinkelskala zeigt.

Ziehen Sie dann den Knopf im Uhrzeigersinn an, um den Arm ordnungsgemäß zu befestigen.

ACHTUNG:

- Bringen Sie den Handgriff in die Hochstellung, bevor Sie den Sägekopf neigen.
- Sichern Sie den Arm nach jeder Änderung des Neigungswinkels stets durch Anziehen des Knopfs im Uhrzeigersinn.

Bedienung des Schalters

ACHTUNG:

- Achten Sie vor dem Einstecken des Werkzeug-Netzsteckers darauf, dass sich der Ein/Aus-Schalter

korrekt bedienen lässt und beim Loslassen in die Position „OFF“ (AUS) zurückkehrt.

Für europäische Länder (Abb. 14)

Betätigen Sie zum Starten des Werkzeugs den Hebel an der rechten Seite und ziehen Sie dann am Ein/Aus-Schalter. Lassen Sie zum Ausschalten des Werkzeugs den Ein/Aus-Schalter los.

Für alle Länder außer europäischen Ländern (Abb. 15)

Betätigen Sie zum Starten des Werkzeugs einfach den Ein/Aus-Schalter. Lassen Sie zum Ausschalten des Werkzeugs den Ein/Aus-Schalter los.

WARNUNG:

- Verwenden Sie das Werkzeug NIEMALS ohne eine voll funktionstüchtige Auslöseschaltung. Jedes Werkzeug mit einer nicht funktionierenden Auslöseschaltung ist HÖCHST GEFÄHRLICH und muss vor dem weiteren Gebrauch repariert werden.

MONTAGE

ACHTUNG:

- Schalten Sie das Werkzeug stets aus, und ziehen Sie den Stecker, bevor Sie irgendwelche Arbeiten am Werkzeug durchführen.

Montage und Demontage des Sägeblatts

ACHTUNG:

- Schalten Sie das Werkzeug aus und ziehen Sie den Stecker, bevor Sie das Sägeblatt einsetzen oder entfernen.
- Verwenden Sie nur den mitgelieferten Schraubenschlüssel von Makita zum Demontieren oder Montieren des Sägeblatts. Andernfalls besteht die Gefahr, dass die Sechskantschraube zu stark oder zu schwach angezogen wird. Dies kann zu Verletzungen führen.

Belassen Sie den Handgriff in der Hochstellung, wenn Sie das Sägeblatt demontieren oder montieren. (Abb. 16)

Zum Demontieren des Sägeblatts lösen Sie zunächst die Sechskantschraube, mit der die Mittenabdeckung befestigt ist, durch Drehung gegen den Uhrzeigersinn mit dem Schraubenschlüssel. Dann heben Sie Blattschutz und Mittenabdeckung an. (Abb. 17)

Blockieren Sie die Spindel durch Drücken der Spindelarreterierung, und lösen Sie die Sechskantschraube durch Drehung des Schraubenschlüssels im Uhrzeigersinn. Nehmen Sie dann Sechskantschraube, Außenflansch und Sägeblatt ab. (Abb. 18)

Zum Montieren schieben Sie das Sägeblatt vorsichtig auf die Spindel, wobei Sie darauf achten, dass der Pfeil auf dem Sägeblatt in dieselbe Richtung zeigt wie der Pfeil auf dem Sägeblattgehäuse. Bringen Sie Außenflansch und Sechskantschraube an, und ziehen Sie dann die Sechskantschraube (linksgängig) bei gedrückter Spindelarreterierung durch Drehung des Schraubenschlüssels gegen den Uhrzeigersinn fest. (Abb. 19 und 20)

ACHTUNG:

- Der Ring mit einem äußeren Durchmesser von 25,4 mm oder 30 mm ist werkseitig auf der Spindel

befestigt. Bevor Sie das Sägeblatt auf der Spindel anbringen, sollten Sie immer sicherstellen, dass der richtige Ring für das Spindelloch des Sägeblatts, das Sie verwenden möchten, auf der Spindel angebracht ist.

Bringen Sie Außenflansch und Sechskantschraube an, und ziehen Sie dann die Sechskantschraube (linksgängig) bei gedrückter Spindelarreterierung durch Drehung des Schraubenschlüssels gegen den Uhrzeigersinn fest.

Bringen Sie Blattschutz und Mittenabdeckung wieder in ihre Ausgangsstellung. Ziehen Sie dann die Sechskantschraube zur Sicherung der Mittenabdeckung im Uhrzeigersinn an. Senken Sie den Handgriff ab, um zu prüfen, ob sich der Blattschutz einwandfrei bewegt. Stellen Sie sicher, dass die Spindelarreterierung die Spindel gelöst hat, bevor Sie einen Schnitt machen.

Zusatzanschlag (nur für europäische Länder) (Abb. 21)

Dieses Werkzeug ist mit einem Zusatzanschlag ausgestattet. Der Zusatzanschlag ist üblicherweise innen angebracht. Um linksseitige Neigungsschnitte durchzuführen, muss er jedoch nach außen geklappt werden.

⚠ ACHTUNG:

- Klappen Sie den Zusatzanschlag nach außen, wenn Sie linksseitige Neigungsschnitte durchführen. Andernfalls kommt er mit dem Sägeblatt oder einem Teil des Werkzeugs in Kontakt, was zu schweren Verletzungen des Bedieners führen kann.

Staubsaack (Abb. 22 und 23)

Der Staubsaack ermöglicht sauberes Arbeiten und einfaches Staubsammeln. Zum Anbringen wird der Staubsaack auf den Absaugstutzen geschoben.

Wenn der Staubbeutel etwa halb voll ist, sollten Sie ihn vom Werkzeug entfernen und den Verschluss herausziehen. Leeren Sie den Inhalt des Staubbeutels, und schnippen Sie leicht dagegen, damit sich Partikel lösen, die möglicherweise an der Innenseite haften und eine weitere Sammlung behindern können.

HINWEIS:

Wenn Sie einen Makita-Staubsauger an Ihre Säge anschließen, können Sie effizienter und sauberer arbeiten.

Sicherung des Werkstücks

WARNUNG:

- Die einwandfreie Sicherung des Werkstücks mit der Schraubzwinde ist äußerst wichtig. Nachlässigkeit in diesem Punkt kann zu einer Beschädigung der Maschine und/oder Zerstörung des Werkstücks führen. ES BESTEHT VERLETZUNGSGEFAHR. Außerdem sollte der Sägekopf nach erfolgtem Schnitt erst nach völligem Stillstand des Sägeblatts angehoben werden.

ACHTUNG:

- Lange Werkstücke müssen stets auf Höhe der Drehteller-Oberfläche abgestützt werden. Verlassen Sie sich nicht nur auf den vertikalen und/oder horizontalen Schraubstock, um das Werkstück zu

sichern.

Dünne Materialien sinken leicht ab. Stützen Sie Werkstücke über die gesamte Länge ab, um zu verhindern, dass das Sägeblatt eingeklemmt wird und ZURÜCKSCHLÄGT. (Abb. 24)

Vertikal-Schraubklemme (Abb. 25)

Die Vertikal-Schraubklemme kann an zwei Positionen entweder auf der linken oder rechten Seite des Gehrungsanschlags montiert werden. Setzen Sie den Stehbolzen in die Bohrung des Gehrungsanschlags ein, und sichern Sie ihn durch Anziehen der Schraube.

Stellen Sie den Schraubklemmenarm auf die Abmessungen des Werkstücks ein, und sichern Sie ihn durch Anziehen der Schraube. Vergewissern Sie sich, dass keine Maschinenteile mit der Schraubklemme in Berührung kommen, wenn der Handgriff ganz abgesenkt wird. Falls irgendwelche Teile mit der Schraubklemme in Berührung kommen, ist die Schraubklemme zu versetzen.

Drücken Sie das Werkstück flach gegen Gehrungsanschlag und Drehteller. Bringen Sie das Werkstück in die gewünschte Schnittposition, und sichern Sie es einwandfrei durch Anziehen des Schraubklemmenkopfes.

ACHTUNG:

- Das Werkstück muss bei allen Arbeiten festgespannt werden und am Gehrungsanschlag sowie am Drehteller anliegen.

BETRIEB (Abb. 26)

ACHTUNG:

- Achten Sie vor der Verwendung darauf, dass der Handgriff aus der abgesenkten Stellung gelöst wird, indem Sie den Anschlagstift ziehen.
- Achten Sie vor dem Einschalten des Werkzeugs darauf, dass das Sägeblatt das Werkstück usw. nicht berührt.
- Üben Sie beim Schneiden keinen übermäßigen Druck auf den Handgriff aus. Zu starker Druck kann zu Überlastung des Motors und/oder verminderter Schnittleistung führen. Drücken Sie den Griff nur mit soviel Kraft nach unten, wie für einen sauberen Schnitt notwendig ist und ohne dass die Geschwindigkeit des Sägeblatts deutlich verringert wird.
- Drücken Sie den Griff vorsichtig nach unten, um den Schnitt auszuführen. Wenn der Griff mit Gewalt nach unten gedrückt wird oder wenn seitliche Kräfte darauf einwirken, vibriert das Sägeblatt und hinterlässt eine Riefe (Sägeriefe) im Werkstück, wodurch die Genauigkeit des Schnitts beeinflusst wird.

1. Kappschnitt (Abb. 27)

Sichern Sie das Werkstück mit der Schraubzwinde. Schalten Sie das Werkzeug ein, ohne dass das Sägeblatt Kontakt hat, und warten Sie, bis das Sägeblatt seine volle Drehzahl erreicht, bevor Sie es absenken. Senken Sie dann den Handgriff sachte bis zur Tiefstellung ab, um das Werkstück zu schneiden. Sobald der Schnitt beendet ist, schalten Sie die Maschine aus und WARTEN, BIS DAS SÄGEBLATT ZUM VÖLLIGEN STILLSTAND GEKOMMEN IST, bevor Sie den Sägekopf wieder ganz anheben.

2. Gehrungsschnitt

Nehmen Sie auf den vorhergehenden Abschnitt „Einstellen der Gehrungswinkels“ Bezug.

3. Neigungsschnitt (Abb. 28)

Lösen Sie den Knopf, und neigen Sie den Sägekopf auf den eingestellten Neigungswinkel. (Nehmen Sie auf den vorhergehenden Abschnitt „Einstellen des Neigungswinkels“ Bezug.) Achten Sie darauf, den Knopf wieder fest anzuziehen, um den gewählten Neigungswinkel zu sichern. Sichern Sie das Werkstück mit einer Schraubzwinde. Schalten Sie das Werkzeug ein, ohne dass das Sägeblatt Kontakt hat, und warten Sie, bis das Sägeblatt seine volle Drehzahl erreicht. Senken Sie dann den Handgriff unter Druckausübung in Richtung des Sägeblatts sachte bis zur Tiefstellung ab. Sobald der Schnitt beendet ist, schalten Sie die Maschine aus und WARTEN, BIS DAS SÄGEBLATT ZUM VÖLLIGEN STILLSTAND GEKOMMEN IST, bevor Sie den Sägekopf wieder ganz anheben.

ACHTUNG:

- Achten Sie bei Neigungsschnitten immer darauf, dass sich das Sägeblatt in Neigungsrichtung nach unten bewegt. Halten Sie die Hände vom Weg des Sägeblatts fern.
- Bei Neigungsschnitten kann es vorkommen, dass das abgeschnittene Stück an der Seitenfläche des Sägeblatts aufliegt. Durch Anheben des Sägekopfes bei noch laufender Maschine kann das Werkstück vom Sägeblatt erfasst werden, was zu gefährlichem Herausschleudern von Bruchstücken führen kann. Der Sägekopf darf erst angehoben werden, nachdem das Sägeblatt zum völligen Stillstand gekommen ist.
- Üben Sie den Druck beim Herunterdrücken des Handgriffs immer nur parallel zum Sägeblatt aus. Wenn der Druck während eines Schnitts nicht parallel zum Sägeblatt ausgeübt wird, kann sich der Winkel des Sägeblatts verändern, worunter die Genauigkeit des Schnitts leidet.
- (Nur für europäische Länder) Klappen Sie den Zusatzanschlag immer nach außen, wenn Sie linksseitige Neigungsschnitte durchführen.

4. Compoundsschnitt

Unter Compoundsschnitt versteht man das Schneiden eines Werkstücks mit gleichzeitiger Gehrungs- und Neigungswinkeleinstellung. Die Kombinationsmöglichkeiten entnehmen Sie bitte der Tabelle.

Neigungswinkel	Gehrungswinkel
45°	Links und rechts 0 - 45°

006366

Wenn Sie Compoundsschnitte ausführen, beachten Sie die Erläuterungen unter „Kappschnitt“, „Gehrungsschnitt“ und „Neigungsschnitt“.

5. Schneiden von dünnwandigen

Leichtmetallprofilen (Abb. 29)

Zur Werkstücksicherung verwenden Sie – wie in der Abbildung gezeigt – Abstandsböcke oder Zulagen aus Hartholz, um Verformungen des Materials während des Schneidvorgangs zu vermeiden. Benutzen Sie beim Schneiden von dünnwandigen

Aluminiumprofilen eine Schneidflüssigkeit, damit sich keine Aluminium-Rückstände am Sägeblatt ansammeln.

- Der Anschlagstift dient nur zum Tragen und Lagern und ist nicht für den Schneidebetrieb gedacht.

WARTUNG

ACHTUNG:

- Schalten Sie das Werkzeug stets aus und ziehen Sie den Stecker, bevor Sie Prüfungen oder Wartungsarbeiten am Werkzeug durchführen.
- Verwenden Sie zum Reinigen niemals Kraftstoffe, Benzin, Verdünner, Alkohol oder ähnliches. Dies kann zu Verfärbungen, Verformungen oder Rissen führen.

WARNUNG:

- Achten Sie für die beste und sicherste Leistung darauf, dass das Sägeblatt immer scharf und sauber ist.

Einstellung des Schnittwinkels

Diese Maschine wurde im Werk sorgfältig eingestellt und justiert. Die Einstellungen können jedoch durch Transporteinfüsse oder unsachgemäße Behandlung beeinträchtigt worden sein. Sollte Ihre Maschine einer Nachjustierung bedürfen, gehen Sie folgendermaßen vor:

1. Gehrungswinkel (Abb. 34)

Lösen Sie den Spanngriff, mit dem der Drehteller gesichert wird. Drehen Sie dann den Drehteller, sodass der Zeiger auf 0° auf der Gehrungswinkelskala zeigt. Ziehen Sie den Griff an und lösen Sie die Sechskantschrauben, die den Gehrungsanschlag halten, mit dem Schraubenschlüssel. Wenn der Zeiger nicht auf 0° auf der Gehrungswinkelskala zeigt, lösen Sie die Schraube, die den Zeiger sichert, und verschieben und sichern Sie die Zeigerplatte so, dass der Zeiger auf 0° auf der Gehrungswinkelskala zeigt. Senken Sie den Handgriff ganz ab, und arretieren Sie ihn in der Tiefstellung durch Einschieben des Anschlagstifts. Bringen Sie die Seitenfläche des Sägeblatts mit Hilfe eines Einstelldreiecks, Anschlagwinkels usw. in den rechten Winkel mit der Fläche des Gehrungsanschlags. Ziehen Sie dann die Sechskantschrauben des Gehrungsanschlags von rechts der Reihe nach fest. (Abb. 35)

2. Neigungswinkel

(1) 0° Neigungswinkel (Abb. 36)

Senken Sie den Handgriff ganz ab, und arretieren Sie ihn in der Tiefstellung durch Einschieben des Anschlagstifts. Lösen Sie den Knopf an der Rückseite der Maschine. Lösen Sie die Sechskantschraube und drehen Sie die Einstellschraube für 0° -Rasterung auf der rechten Seite des Drehtellers um zwei bis drei Umdrehungen entgegen dem Uhrzeigersinn, um den Sägekopf nach rechts zu neigen. Bringen Sie die Seitenfläche des Sägeblatts mit Hilfe eines Einstelldreiecks, Anschlagwinkels usw. in den rechten Winkel mit der Drehteller-Oberfläche, indem Sie die Einstellschraube für 0° -Rasterung gegen den Uhrzeigersinn drehen. Ziehen Sie dann die Sechskantschraube fest, um den 0° -Neigungswinkel zu sichern, und ziehen Sie den Knopf sicher fest. Vergewissern Sie sich, dass der Zeiger auf dem Arm auf 0° auf der Neigungswinkelskala zeigt. Wenn der Zeiger nicht auf 0° auf der Neigungswinkelskala zeigt, lösen Sie die Schraube, die den Zeiger sichert, und verschieben und sichern Sie die Zeigerplatte so, dass

ACHTUNG:

- Vollmaterialien mit großem Querschnitt und Rundmaterial dürfen nicht bearbeitet werden. Beim Sägevorgang kann sich dickes Material lösen und Rundmaterial kann mit diesem Werkzeug nicht sicher befestigt werden.

6. Zwischenbrette

Durch das Benutzen eines Zwischenbretts können Sie die Werkstücke ausrissfrei sägen. Die Bohrungen im Gehrungsanschlag dienen als Befestigungshilfe für ein Zwischenbrett. Hinweise für ein Zwischenbrett entnehmen Sie der Abbildung der Abmessungen. (Abb. 30)

ACHTUNG:

- Benutzen Sie glatt gehobeltes Holz gleichmäßiger Dicke als Zwischenbrett.
- Verwenden Sie Schrauben, um das Holz auf der Seite des Gehrungsanschlags anzubringen. Die Schrauben sollten so angebracht werden, dass die Schraubenköpfe in der Oberfläche des Zwischenbretts versenkt sind.
- Wenn das Zwischenbrett angebracht ist, drehen Sie den Drehteller nicht, wenn der Griff abgesenkt ist. Das Sägeblatt und/oder das Zwischenbrett können sonst beschädigt werden.
- Die maximale Sägebreite wird durch die Breite des Zwischenbretts kleiner.

7. Wiederholtes Schneiden auf gleiche Länge (Abb. 31)

Wenn Sie mehrere Werkstücke innerhalb des Bereichs von 240 mm bis 380 mm auf die gleiche Länge schneiden, ist die Verwendung der Anschlagplatte (Sonderzubehör) zu empfehlen, um rationaler zu arbeiten. Montieren Sie die Anschlagplatte am Auflagebügel (Sonderzubehör), wie in der Abbildung gezeigt. Richten Sie die Schnittlinie des Werkstücks entweder auf die linke oder rechte Kante der Nut in der Schlitzplatte aus, und schieben Sie die Anschlagplatte bündig gegen das Ende des Werkstücks, während Sie das Werkstück am Verrutschen hindern. Sichern Sie dann die Anschlagplatte mit der Flügelschraube. Wenn Sie die Anschlagplatte nicht benutzen, lösen Sie die Flügelschraube, um die Anschlagplatte zur Seite zu schieben.

Tragen der Maschine (Abb. 32)

Vergewissern Sie sich, dass der Netzstecker des Werkzeugs abgezogen ist. Sichern Sie den Sägekopf in der 0° -Neigungswinkelstellung und den Drehteller in der vollen Gehrungswinkelstellung. Senken Sie den Handgriff ganz ab, und arretieren Sie ihn in der Tiefstellung durch Einschieben des Anschlagstifts. Halten Sie die Maschine am Tragegriff, wie in der Abbildung gezeigt. Wenn Sie Auflageplatten, den Staubbeutel usw. entfernen, können Sie das Werkzeug leichter tragen. (Abb. 33)

ACHTUNG:

- Sichern Sie immer alle beweglichen Teile, bevor Sie das Werkzeug transportieren.

der Zeiger auf 0° auf der Neigungswinkelskala zeigt.
(Abb. 37 und 38)

(2) 45° Neigungswinkel **(Abb. 39)**

Diese Einstellung kann erst nach erfolgter Einstellung des 0°-Neigungswinkels durchgeführt werden. Zum Einstellen des linksseitigen 45°-Neigungswinkels lösen Sie den Knopf und neigen den Sägekopf vollständig nach links. Vergewissern Sie sich, dass der Zeiger am Arm auf 45° der Neigungswinkelskala am Arm zeigt. Falls der Zeiger nicht auf 45° zeigt, drehen Sie die Einstellschraube für 45°-Rasterung auf der linken Seite des Arms, bis der Zeiger auf 45° zeigt.

Die technischen Unterlagen gemäß 2006/42/EG sind erhältlich von:

Makita, Jan-Baptist Vinkstraat 2, 3070, Belgien

30. 5. 2014



Yasushi Fukaya
Direktor

Makita, Jan-Baptist Vinkstraat 2, 3070, Belgien

Ersetzen der Kohlebürsten (Abb. 40)

Entfernen und überprüfen Sie die Kohlebürsten in regelmäßigen Abständen. Wenn sie bis auf eine Länge von 3 mm abgenutzt sind, müssen sie erneuert werden. Halten Sie die Kohlebürsten sauber und sorgen Sie dafür, dass sie locker in den Halterungen liegen. Beide Kohlebürsten sollten gleichzeitig ersetzt werden. Verwenden Sie nur identische Kohlebürsten.

Verwenden Sie einen Schraubendreher, um die Bürstenhalterkappen zu entfernen. Entnehmen Sie die verbrauchten Kohlebürsten, legen Sie die neuen ein und bringen Sie die Bürstenhalterkappen wieder fest an.

(Abb. 41)

Nach der Verwendung

- Wischen Sie nach der Verwendung Splitter und Staub, die am Werkzeug haften, mit einem Tuch oder etwas ähnlichem ab. Halten Sie den Blattschutz entsprechend den Hinweisen im vorhergehenden Abschnitt „Blattschutz“ sauber. Schmieren Sie die gleitenden Teile mit Maschinenöl ein, um ein Rosten zu verhindern.

Um die SICHERHEIT und ZUVERLÄSSIGKEIT des Produkts zu gewährleisten, sollten Reparaturen, Wartungsarbeiten und Einstellungen nur durch von Makita autorisierte Servicecenter durchgeführt und immer Makita-Ersatzteile verwendet werden.

Schallpegel

ENG905-1

Typischer A-bewerteter Schallpegel nach EN61029:

Schalldruckpegel (L_{pA}): 92 dB (A)

Schalleistungspegel (L_{WA}): 105 dB (A)

Abweichung (K): 3 dB (A)

Tragen Sie Gehörschutz.

Nur für europäische Länder

ENH003-15

EG-Konformitätserklärung

Makita erklärt, dass die nachfolgende(n) Maschine(n):

Bezeichnung der Maschine(n):

Kapp- und Gehrungssäge

Nummer/Typ des Modells: MLS100

den folgenden Richtlinien der Europäischen Union

genügt/genügen:

2006/42/EG

Sie werden gemäß den folgenden Standards oder

Normen gefertigt:

EN61029

ITALIANO (Istruzioni originali)

Spiegazione della vista generale

- | | | |
|----------------------------------------------|------------------------------|------------------------------------------------|
| 1. Chiave | 18. Interruttore | 36. Morsa verticale |
| 2. Manopola | 19. Coperchio centrale | 37. Morsa |
| 3. Piastra ausiliaria | 20. Bullone esagonale | 38. Distanziatore |
| 4. Vite | 21. Contenitore della lama | 39. Estrusione in alluminio |
| 5. Base | 22. Freccia | 40. Distanziatore |
| 6. Perno di fermo | 23. Lama della sega | 41. Oltre 10 mm |
| 7. Bullone | 24. Mandrino | 42. Oltre 460 mm |
| 8. Coprilama | 25. Flangia | 43. Foro |
| 9. Pannello di taglio | 26. Anello | 44. Piastra di chiusura |
| 10. Bullone di regolazione | 27. Guida secondaria | 45. Supporto |
| 11. Superficie superiore della base girevole | 28. Sacchetto per la polvere | 46. Perno di fermo |
| 12. Limite della lama | 29. Fermaglio | 47. Squadra triangolare |
| 13. Guida | 30. Sostegno | 48. Bullone di regolazione 0° |
| 14. Levetta di blocco | 31. Base girevole | 49. Bullone di regolazione per angolazione 45° |
| 15. Ganascia | 32. Manopola della morsa | 50. Coperchio portaspazzola |
| 16. Indicatore | 33. Vite | 51. Cacciavite |
| 17. Leva | 34. Braccio della morsa | |
| | 35. Asta della morsa | |

CARATTERISTICHE TECNICHE

Modello	MLS100
Diametro lama	255 mm
Spessore del corpo lama	1,6 mm - 2,4 mm
Diametro foro	
Per tutti i paesi esterni all'Unione Europea	25,4 mm
Per i paesi europei	30 mm
Capacità di taglio massima (A x L) con lama di 255 mm di diametro	

Angolazione di taglio obliquo	Angolazione di taglio circolare	
	0°	45° (sinistra e destra)
0°	75 mm x 130 mm	75 mm x 90 mm
45° (sinistra)	48 mm x 120 mm	48 mm x 90 mm

Velocità senza carico (min ⁻¹)	4.200
Dimensioni (L x L x A)	610 mm x 485 mm x 515 mm
Peso	14,7 kg
Classe di sicurezza	 II

- Le caratteristiche tecniche riportate di seguito sono soggette a modifiche senza preavviso in virtù del nostro programma continuo di ricerca e sviluppo.
- Le caratteristiche tecniche possono differire da paese a paese.
- Peso determinato in conformità con la EPTA-Procedure 01/2003

Simboli

END217-5

Di seguito sono riportati i simboli utilizzati per l'apparecchio.

È importante comprenderne il significato prima dell'uso.



..... Leggere il manuale di istruzioni.



..... ISOLAMENTO DOPPIO



..... Per evitare infortuni dovuti ai residui di lavorazione, continuare a tenere la testa della sega rivolta verso il basso dopo il taglio, fino al completo arresto della lama.



..... Evitare di porre le mani o le dita in prossimità della lama.



..... Per ragioni di sicurezza, rimuovere trucioli, frammenti e simili dal banco prima di utilizzare l'utensile.



..... Impostare sempre la GUIDA SECONDARIA nella posizione sinistra per tagli obliqui verso sinistra. La mancata osservanza di questa precauzione può provocare l'infortunio dell'operatore.



..... Per allentare il bullone, ruotarlo in senso orario.



..... Solo per Paesi UE

Non gettare le apparecchiature elettriche tra i rifiuti domestici.

Secondo la Direttiva Europea sui rifiuti di apparecchiature elettriche ed elettroniche e la sua attuazione in conformità alle norme nazionali, le apparecchiature elettriche esauste devono essere raccolte separatamente, al fine di essere riciclate in modo eco-compatibile.

Uso previsto

ENE004-1

L'utensile è destinato alla pratica di tagli precisi, diritti e circolari, nel legno. Sono disponibili lame della sega adatte al taglio dell'alluminio.

Alimentazione

ENF002-2

L'utensile deve essere collegato a una presa di corrente con la stessa tensione di quella indicata sulla targhetta e può funzionare soltanto con corrente alternata monofase. L'utensile è dotato di doppio isolamento, pertanto può essere usato anche con prese di corrente sprovviste della messa a terra.

Avvertenze generali di sicurezza per l'uso dell'utensile

GEA010-1

⚠ AVVERTENZA Leggere attentamente tutte le avvertenze di sicurezza e le istruzioni. La mancata osservanza delle istruzioni e delle avvertenze riportate di seguito potrebbe provocare scosse elettriche, incendi e/o lesioni gravi.

Conservare le avvertenze e le istruzioni per riferimenti futuri.

AVVERTENZE DI SICUREZZA PER LA SEGA CIRCOLARE

ENB034-8

1. Tenere le mani lontane dal percorso compiuto dalla lama della sega. Evitare il contatto con la lama in rotazione. Diversamente, è possibile subire gravi infortuni.
2. Prima dell'uso, verificare lo stato della lama, accertandosi che non vi siano crepe o deformazioni. Sostituire immediatamente le lame danneggiate.
3. Sostituire il pannello di taglio se è usurato.
4. Utilizzare solo le lame specificate dal produttore e conformi alla direttiva EN847-1.
5. Non utilizzare lame prodotte con acciaio rapido.
6. Indossare una protezione visiva.
7. Indossare una protezione acustica per ridurre il rischio di perdita dell'udito.
8. Indossare guanti per maneggiare la lama della sega (trasportare le lame della sega in un supporto quando possibile) e i materiali ruvidi.
9. Durante le operazioni, collegare la sega circolare a un dispositivo per la raccolta della polvere.
10. Scegliere la lama della sega in relazione al materiale da tagliare.
11. Non utilizzare la sega per il taglio di materiali diversi da legno, alluminio e simili.
12. **Bloccare sempre tutte le parti mobili prima di trasportare l'utensile. Non utilizzare la protezione come dispositivo per sollevare o trasportare l'utensile.**
13. **Non utilizzare la sega senza aver prima posizionato le protezioni. Prima di utilizzare l'utensile, assicurarsi che il coprilama sia chiuso correttamente. Non utilizzare la sega se il coprilama non è libero di muoversi e di chiudersi all'istante. Non bloccare il coprilama nella posizione aperta.**
14. **Mantenere la superficie di lavoro sgombera da materiali liberi, come trucioli e frammenti.**
15. **Utilizzare esclusivamente lame ideate per una velocità massima pari o superiore alla velocità a vuoto indicata sull'utensile.**
16. **Se l'utensile è munito di un laser o di un LED, non sostituire il laser o il LED con un prodotto di tipo diverso. Rivolgersi a un centro assistenza autorizzato per la riparazione.**
17. **Non rimuovere i frammenti o altre parti del pezzo in lavorazione dall'area di taglio mentre l'utensile è in funzione con la lama non coperta dalla protezione.**
18. **Non eseguire alcuna operazione a mani nude. Il pezzo in lavorazione deve essere fissato in modo saldo alla base girevole e alla guida con la morsa durante tutte le operazioni. Non tenere mai il pezzo in lavorazione con la mano.**
19. **Assicurarsi che l'utensile sia stabile prima di ogni taglio.**
20. **Fissare l'utensile a un banco da lavoro, se necessario.**
21. **Sostenere i pezzi in lavorazione lunghi con supporti aggiuntivi adeguati.**
22. **Non tagliare mai pezzi troppo piccoli per essere tenuti fermi con la morsa. I pezzi in lavorazione non fissati correttamente potrebbero provocare contraccolpi e gravi lesioni alla persona.**
23. **Non rimanere in prossimità della lama della sega.**
24. **Spegnere l'utensile e attendere l'arresto della lama prima di spostare il pezzo in lavorazione o cambiare le impostazioni.**
25. **Scollegare l'utensile prima di cambiare la lama o di effettuare la manutenzione.**
26. **Il perno di fermo per il blocco del meccanismo di taglio è destinato alle operazioni di trasporto e stoccaggio, non alle operazioni di taglio.**
27. **Non utilizzare l'utensile in presenza di liquidi o gas infiammabili. Il funzionamento elettrico dell'utensile potrebbe creare esplosioni e incendi se l'utensile viene esposto a liquidi infiammabili o gas.**
28. **Utilizzare soltanto flange specifiche per questo utensile.**
29. **Prestare attenzione a non danneggiare l'albero, le flange (soprattutto nella superficie di installazione) o il bullone. Se queste parti fossero danneggiate, la lama potrebbe rompersi.**
30. **Accertarsi che la base girevole sia fissata in modo corretto, in modo che non si sposti durante il funzionamento.**
31. **Per ragioni di sicurezza, rimuovere trucioli, frammenti e simili dal banco prima di utilizzare l'utensile.**

32. Evitare di tagliare i chiodi. Prima della sessione di lavoro, controllare e rimuovere tutti i chiodi dal pezzo in lavorazione.
33. Verificare che il blocco dell'albero sia stato rimosso prima di attivare l'interruttore.
34. Accertarsi che la lama non entri in contatto con la base girevole nella sua posizione più bassa.
35. Tenere l'impugnatura in modo saldo. La sega si sposta leggermente in alto o in basso durante le fasi di avviamento e arresto.
36. Verificare che la lama non tocchi il pezzo in lavorazione prima di accendere l'interruttore.
37. Prima di usare l'utensile, lasciarlo funzionare a vuoto per qualche istante. Prestare attenzione a vibrazioni e oscillazioni che potrebbero indicare difetti di installazione o che la lama è mal bilanciata.
38. Attendere che la lama raggiunga la velocità massima prima di iniziare le operazioni di taglio.
39. Interrompere immediatamente l'uso in presenza di anomalie.
40. Non tentare di bloccare l'interruttore nella posizione ON.
41. Rimanere vigili durante tutte le operazioni, in particolar modo se sono ripetitive e monotone. Non cullarsi in un falso senso di sicurezza. Le lame sono impietose.
42. Utilizzare esclusivamente gli accessori indicati nel presente manuale. L'impiego di accessori non corretti, quali dischi abrasivi, può provocare infortuni.
43. Prestare attenzione durante la realizzazione di scanalature.
44. Alcune polveri prodotte durante l'impiego contengono componenti chimici che provocano il cancro, difetti di nascita e altri danni riproduttivi. Tra tali sostanze rientrano:
 - Piombo derivante da materiali trattati con vernici al piombo.
 - Arsenico e cromo derivanti da legname trattato chimicamente.
 Il rischio relativo a tali esposizioni dipende dalla frequenza con cui si svolge il lavoro. Per ridurre l'esposizione a queste sostanze chimiche, lavorare in un'area ben ventilata utilizzando i dispositivi di sicurezza approvati, ad esempio le maschere antipolvere appositamente progettate per filtrare particelle microscopiche.
45. Per ridurre il rumore emesso, assicurarsi che la lama sia sempre affilata e pulita.
46. L'operatore deve sostenere un'adeguata formazione per l'uso, la regolazione e la gestione dell'utensile.

CONSERVARE QUESTE ISTRUZIONI.

⚠ AVVERTENZA:

NON lasciare che la comodità o la familiarità acquisita con il prodotto (dovuta all'uso ripetuto) provochi l'inosservanza delle norme di sicurezza. L'USO IMPROPRIO o la mancata osservanza delle norme di sicurezza indicate in queste istruzioni per l'uso possono provocare gravi danni alla persona.

INSTALLAZIONE (Fig. 1 e 2)

Alla spedizione, l'impugnatura dell'utensile viene bloccata nella posizione abbassata con il perno di fermo. Allentare il bullone con la chiave in dotazione con lo strumento e spostare la testa della sega ad angolo retto. Rimuovere il bullone e fissare la tesla della sega con la manopola.

Installazione della piastra ausiliaria (Fig. 3)

Installare la piastra ausiliaria utilizzando il foro nella base dell'utensile; per fissarla, serrare la vite.

Montaggio su banco

Alla spedizione, l'impugnatura dell'utensile viene bloccata nella posizione abbassata con il perno di fermo.

Sbloccare il perno di fermo abbassando leggermente l'impugnatura e tirando il perno. (Fig. 4)

L'utensile deve essere bloccato con quattro bulloni su una superficie stabile e in piano utilizzando i fori per bulloni nella base dell'utensile. Questa precauzione permette di impedire il rovesciamento ed eventuali infortuni. (Fig. 5)

DESCRIZIONE FUNZIONALE

ATTENZIONE:

- Prima di regolare o controllare le funzioni dell'utensile, verificare sempre di averlo spento e scollegato dall'alimentazione.

Coprilama (Fig. 6)

Abbassando l'impugnatura, il coprilama si solleva automaticamente. Il coprilama è caricato a molla, pertanto ritorna nella sua posizione originale una volta completato il taglio e sollevata l'impugnatura. **NON RIMUOVERE NÉ VANIFICARE LO SCOPO DEL COPRILAMA O DELLA MOLLA APPLICATA ALLA PROTEZIONE.**

Nell'interesse della sicurezza personale, mantenere sempre il coprilama in buone condizioni. Qualsiasi operazione irregolare del coprilama deve essere corretta immediatamente. Verificare l'azione di ritorno caricata a molla del coprilama. **NON UTILIZZARE L'UTENSILE SE IL COPRILAMA O LA MOLLA SONO DANNEGGIATI, DIFETTOSI O ASSENTI. DIVERSAMENTE L'USO È PERICOLOSO E PUÒ DARE LUOGO A GRAVI INFORTUNI.**

Se il coprilama trasparente è sporco, o se i residui del taglio aderiscono ad esso e impediscono la visione della lama, scollegare la sega e pulire con cura il coprilama utilizzando un panno umido. Non utilizzare solventi o detersigenti a base di petrolio sul coprilama in plastica. Se il coprilama trasparente è sporco, o se i residui del taglio aderiscono ad esso e impediscono la visione della lama e/ o del pezzo in lavorazione, scollegare la sega e pulire con cura il coprilama utilizzando un panno umido. Non utilizzare solventi o detersigenti a base di petrolio sul coprilama in plastica.

Se il coprilama è particolarmente sporco e impedisce la visione, utilizzare la chiave in dotazione per allentare il bullone esagonale che ferma il coperchio centrale. Allentare il bullone esagonale ruotandolo in senso antiorario e sollevare il coprilama e il coperchio centrale. Con il coprilama in questa posizione è possibile eseguire una pulizia più completa ed efficace. Al termine della

pulizia, ripetere la procedura in senso contrario e fissare il bullone. Non rimuovere la molla del coprilama. Se il coprilama si scolorisce a causa del tempo o dell'esposizione a raggi UV, rivolgersi a un centro di assistenza Makita per ottenere un nuovo coprilama. **NON RIMUOVERE NÉ VANIFICARE LO SCOPO DELLA PROTEZIONE. (Fig. 7)**

Pannello di taglio (Fig. 8)

Questo utensile è dotato di un pannello di taglio nella base girevole che riduce al minimo le sbavature sul lato di uscita di un taglio. Se la scanalatura di taglio non è stata praticata in fabbrica nel relativo pannello, è opportuno eseguire il taglio della scanalatura prima di utilizzare l'utensile per tagliare un pezzo in lavorazione. Accendere l'utensile e abbassare delicatamente la lama per praticare una scanalatura nel pannello di taglio.

Mantenere la massima capacità di taglio

L'utensile è regolato in fabbrica per garantire la massima capacità di taglio per una lama da 255 mm.

All'installazione di una nuova lama, verificare la posizione del limite inferiore sulla lama e, se necessario, effettuare la seguente regolazione:

Scollegare prima l'utensile. Abbassare completamente l'impugnatura. Utilizzare la chiave per ruotare il bullone di regolazione fino a quando la parte esterna della lama si estende leggermente sotto la superficie superiore della base girevole nel punto in cui il lato anteriore della guida incontra la superficie superiore della base girevole.

(Fig. 9)

Con l'utensile scollegato, ruotare manualmente la lama tenendo l'impugnatura del tutto abbassata per garantire che la lama non entri in contatto con la base inferiore.

Ripetere la regolazione, se necessario. **(Fig. 10)**

ATTENZIONE:

- Dopo l'installazione di una nuova lama, verificare sempre che la lama non entri in contatto con la base inferiore quando la maniglia è completamente abbassata. Eseguire sempre l'operazione a utensile scollegato.

Regolazione dell'angolo di taglio circolare (Fig. 11)

Allentare la ganaschia ruotandola in senso antiorario. Ruotare la base girevole tenendo premuta la levetta di blocco. Una volta spostata la ganaschia nella posizione in cui l'indicatore è rivolto sull'angolazione desiderata nella scala di taglio circolare, serrare la ganaschia in senso orario.

ATTENZIONE:

- Durante la rotazione della base girevole, tenere del tutto sollevata l'impugnatura.
- Dopo aver cambiato l'angolo di taglio circolare, fissare la base girevole serrando la ganaschia.

Regolazione dell'angolo di taglio obliquo (Fig. 12 e 13)

Per regolare l'angolo di taglio obliquo, allentare la manopola nella parte posteriore dell'utensile in senso antiorario.

Premere l'impugnatura a sinistra per inclinare la lama della sega fino a quando l'indicatore segnala l'angolazione desiderata sulla scala di taglio obliquo.

Serrare la manopola in senso orario per fissare saldamente il braccio.

ATTENZIONE:

- Durante l'inclinazione della lama, tenere del tutto sollevata l'impugnatura.
- Dopo aver cambiato l'angolo di taglio obliquo, fissare sempre il braccio con una rotazione della manopola in senso orario.

Azionamento dell'interruttore

ATTENZIONE:

- Prima di collegare l'utensile, controllare se l'interruttore funziona correttamente e ritorna alla posizione "OFF" una volta rilasciato.

Per i paesi europei (Fig. 14)

Per accendere l'utensile, spingere la leva a destra e tirare l'interruttore di accensione. Per spegnere l'utensile, rilasciare l'interruttore.

Per tutti i paesi esterni all'Unione Europea (Fig. 15)

Per accendere l'utensile è sufficiente tirare l'interruttore. Per spegnere l'utensile, rilasciare l'interruttore.

AVVERTENZA:

- Non utilizzare mai l'utensile se l'interruttore non è in perfetta efficienza. Se l'interruttore non è in perfetta efficienza, l'utensile risulta **ESTREMAMENTE PERICOLOSO** e deve essere riparato prima di un successivo utilizzo.

MONTAGGIO

ATTENZIONE:

- Accertarsi sempre che l'utensile sia spento e scollegato dalla presa di corrente prima di iniziare qualsiasi operazione su di esso.

Montaggio e smontaggio della lama

ATTENZIONE:

- Prima di montare o smontare la lama accertarsi sempre che l'utensile sia spento e scollegato.
- Per installare o rimuovere la lama utilizzare solo la chiave fornita da Makita. In caso contrario il bullone esagonale potrebbe risultare troppo stretto oppure allentato. Questo può essere causa di infortuni.

Durante la rimozione o l'installazione della lama, mantenere l'impugnatura nella posizione sollevata.

(Fig. 16)

Per rimuovere la lama, utilizzare la chiave per allentare il bullone esagonale che trattiene il coperchio centrale ruotandolo in senso antiorario. Sollevare il coprilama e il coperchio centrale. **(Fig. 17)**

Premere il blocco dell'albero per bloccare il mandrino e utilizzare la chiave per allentare il bullone esagonale in senso orario. Rimuovere quindi il bullone esagonale, la flangia esterna e la lama. **(Fig. 18)**

Per installare la lama, montarla con attenzione sul mandrino, verificando che la direzione della freccia sulla superficie della lama corrisponde alla direzione della

freccia sul contenitore della lama. Installare la flangia esterna e il bullone esagonale, quindi utilizzare la chiave per serrare il bullone esagonale (verso sinistra) in senso antiorario tenendo premuto il blocco dell'albero. (Fig. 19 e 20)

ATTENZIONE:

- L'anello con diametro esterno di 25,4 o 30 mm è installato in fabbrica sul mandrino. Prima di montare la lama sul mandrino, assicurarsi che sullo stesso sia installato l'anello corretto per il foro dell'asta della lama che si intende utilizzare.

Installare la flangia esterna e il bullone esagonale, quindi utilizzare la chiave per serrare il bullone esagonale (verso sinistra) in senso antiorario tenendo premuto il blocco dell'albero.

Riportare il coprilama e il coperchio centrale nella posizione originale. Serrare quindi il bullone esagonale in senso orario per fissare il coperchio centrale. Abbassare l'impugnatura per accertarsi che il coprilama si sposti correttamente. Accertarsi che il blocco dell'albero sia stato rimosso sul mandrino prima di praticare il taglio.

Guida secondaria (solo per i paesi europei) (Fig. 21)

L'utensile è dotato di una guida secondaria. La guida secondaria deve essere generalmente posizionata all'interno. Tuttavia, è necessario portarla verso l'esterno per eseguire tagli obliqui a sinistra.

⚠ ATTENZIONE:

- Capovolgere la guida secondaria verso l'esterno per eseguire tagli obliqui a sinistra. Diversamente, entrerà in contatto con la lama o con una parte dell'utensile, con il rischio di provocare gravi lesioni all'operatore.

Sacchetto per la polvere (Fig. 22 e 23)

L'uso del sacchetto per la polvere permette di mantenere la pulizia durante il taglio e di facilitare la raccolta della polvere. Per fissare il sacchetto per la polvere, è sufficiente applicarlo sull'ugello per la polvere.

Rimuovere il sacchetto quando è pieno per metà, tirando il fermo verso l'esterno. Svuotare il sacchetto scuotendolo leggermente, in modo da eliminare particelle che possano aver aderito all'interno e che potrebbero ostacolare il corretto funzionamento.

NOTA:

Se si collega alla sega un aspiratore Makita, è possibile effettuare operazioni di pulizia più efficaci.

Fissaggio del pezzo in lavorazione

AVVERTENZA:

- È molto importante fissare sempre con sicurezza il pezzo in lavorazione utilizzando la morsa. Diversamente, l'utensile potrebbe danneggiarsi e il pezzo in lavorazione potrebbe essere distrutto. **INOLTRE, SI POTREBBERO SUBIRE INFORTUNI.** Dopo un'operazione di taglio, non sollevare la lama fino a quando non ha effettuato un arresto completo.

ATTENZIONE:

- Durante il taglio di pezzi in lavorazione lunghi, utilizzare sostegni di altezza pari alla superficie superiore della base girevole. Non fare affidamento sulla sola morsa

orizzontale e/o verticale per fissare il pezzo.

I materiali sottili tendono a flettersi. Sostenere il pezzo in lavorazione per la sua intera lunghezza per evitare ostacoli alla lama e possibili contraccolpi. (Fig. 24)

Morsa verticale (Fig. 25)

La morsa verticale può essere installata in due posizioni, sul lato sinistro o destro della guida. Inserire l'asta della morsa nel foro della guida e serrare la vite per fissare l'asta della morsa.

Posizionare il braccio della morsa in base allo spessore e alla forma del pezzo in lavorazione, quindi fissare il braccio della morsa serrando la vite. Accertarsi che l'utensile non entri in contatto con la morsa quando si abbassa completamente l'impugnatura. Se alcune parti entrano in contatto con la morsa, riposizionare la morsa.

Premere il pezzo in lavorazione contro la guida e la base girevole. Posizionare il pezzo in lavorazione nella posizione di taglio desiderata e fissarlo in modo saldo serrando l'impugnatura della morsa.

ATTENZIONE:

- Il pezzo in lavorazione deve essere fissato in modo saldo sulla base girevole e sulla guida con la morsa durante tutte le operazioni.

FUNZIONAMENTO (Fig. 26)

ATTENZIONE:

- Prima dell'uso, sbloccare l'impugnatura dalla posizione abbassata tirando il perno di fermo.
- Verificare che la lama non tocchi il pezzo in lavorazione prima che l'interruttore sia attivato.
- Non applicare una pressione eccessiva sull'impugnatura durante il taglio. Una forza eccessiva può provocare un sovraccarico del motore e/o un'efficienza di taglio ridotta. Premere l'impugnatura con la sola forza necessaria per un taglio continuo e senza una significativa diminuzione di velocità della lama.
- Premere delicatamente l'impugnatura per eseguire il taglio. Se l'impugnatura viene premuta con forza o se viene applicata una forza laterale, la lama vibra e lascia un segno nel pezzo in lavorazione, riducendo la precisione del taglio.

1. Tagli a pressione (Fig. 27)

Fissare il pezzo in lavorazione con la morsa. Accendere l'utensile senza che la lama entri in contatto con il pezzo e attendere che la lama raggiunga la massima velocità prima di abbassarla. Quindi, abbassare completamente l'impugnatura per tagliare il pezzo in lavorazione. Una volta completato il taglio, spegnere l'utensile e attendere l'arresto della lama prima di riportarla nella posizione sollevata.

2. Tagli circolari

Consultare la sezione "Regolazione dell'angolo di taglio circolare" in precedenza.

3. Tagli obliqui (Fig. 28)

Allentare la manopola e inclinare la lama della segna per impostare l'angolo di taglio obliquo (consultare la sezione "Regolazione dell'angolo di taglio obliquo" in precedenza). Serrare di nuovo la manopola per fissare l'angolo di taglio obliquo selezionato. Fissare il pezzo in lavorazione con una morsa. Accendere

l'utensile senza che la lama entri in contatto con il pezzo e attendere che la lama raggiunga la massima velocità. Abbassare completamente l'impugnatura applicando una pressione parallela alla lama. Una volta completato il taglio, spegnere l'utensile e attendere l'arresto della lama prima di riportarla nella posizione sollevata.

ATTENZIONE:

- Accertarsi che la lama si sposti verso il basso in direzione obliqua durante un taglio obliquo. Tenere le mani lontane dal percorso compiuto dalla lama della sega.
- Durante un taglio obliquo, si potrebbe creare una situazione in cui il pezzo in lavorazione si trova contro il lato della lama. Se la lama viene sollevata mentre è ancora in rotazione, questo pezzo può essere colpito dalla lama e i suoi frammenti potrebbero disperdersi, creando una situazione di pericolo. La lama deve essere sollevata solo quando ha effettuato un arresto completo.
- Durante la pressione dell'impugnatura, applicare una pressione parallela alla lama. Se la pressione non è parallela alla lama durante il taglio, l'angolazione potrebbe variare e la precisione del taglio potrebbe risentirne.
- (Solo per i paesi europei) Portare sempre verso l'esterno la guida secondaria per eseguire tagli obliqui verso sinistra.

4. Taglio combinato

Il taglio combinato è un processo in cui viene impostato un angolo di taglio obliquo durante la realizzazione di un taglio circolare sul pezzo. Il taglio combinato può essere eseguito con le angolazioni indicate nella tabella.

Angolazione di taglio obliquo	Angolazione di taglio circolare
45°	Sinistra e destra 0 - 45°

006366

Durante il taglio composto, consultare le sezioni "Tagli a pressione", "Tagli circolari" e "Tagli obliqui".

5. Taglio di estrusioni di alluminio (Fig. 29)

Durante il fissaggio delle estrusioni di alluminio, utilizzare distanziatori o pezzi di scarto (come mostrato nella figura) per impedire la deformazione dell'alluminio. Utilizzare un lubrificante durante il taglio di estrusioni di alluminio per impedire l'accumulo di materiale sulla lama.

ATTENZIONE:

- Non tentare di tagliare estrusioni di alluminio spesse o rotonde. Le estrusioni si alluminio spesse potrebbero allentarsi durante l'operazione, mentre le estrusioni di alluminio rotonde non possono essere fissate in modo saldo con questo utensile.

6. Protezione in legno

L'uso di una protezione in legno aiuta a garantire che non vi siano schegge nei tagli del pezzo in lavorazione. Fissare una protezione in legno alla guida utilizzando i fori in quest'ultima. Vedere la figura relativa alle dimensioni per un suggerimento sulla protezione in legno da utilizzare. (Fig. 30)

ATTENZIONE:

- Utilizzare legno piano di qualsiasi spessore come protezione.
- Utilizzare le viti per fissare la protezione in legno alla guida. Le viti dovrebbero essere installate in modo che la testa adella vite si trovi sotto la superficie della protezione in legno.
- Una volta applicata la protezione in legno, evitare di ruotare la base girevole con l'impugnatura abbassata. La lama e/o la protezione in legno potrebbero danneggiarsi.
- La larghezza di taglio massima sarà inferiore alla larghezza della protezione in legno.

7. Taglio di lunghezze ripetitive (Fig. 31)

Quando si tagliano diversi pezzi alla stessa lunghezza (compresa tra 240 e 380 mm), l'uso della piastra di regolazione (accessorio opzionale) consente operazioni più efficienti. Installare la piastra di regolazione sul sostegno (accessorio opzionale) come mostrato nella figura. Allineare la linea di taglio sul pezzo in lavorazione con il lato sinistro o destro della scanalatura del pannello di taglio, quindi tenere fermo il pezzo in lavorazione e spostare la piastra contro la fine del pezzo in lavorazione. Fissare la piastra di regolazione con la vite. Quando la piastra di regolazione non è necessaria, allentare la vite e rimuovere la piastra.

Trasporto dell'utensile (Fig. 32)

Accertarsi che l'utensile sia scollegato. Fissare la lama all'angolazione di taglio obliquo 0° e la base girevole sull'angolazione di taglio circolare sinistra. Abbassare completamente l'impugnatura premendo il perno di fermo. Trasportare l'utensile utilizzando le maniglie per il trasposto, come mostrato nella figura. La rimozione dei sostegni, del sacchetto per la polvere, ecc. agevola il trasporto dell'utensile. (Fig. 33)

ATTENZIONE:

- Bloccare tutte le parti mobili prima di trasportare l'utensile.
- Il perno di fermo è destinato alle operazioni di trasporto e immagazzinaggio, non alle operazioni di taglio.

MANUTENZIONE

ATTENZIONE:

- Prima di effettuare controlli e operazioni di manutenzione, verificare sempre che l'utensile sia spento e scollegato.
- Evitare assolutamente di usare benzina, diluenti, solventi, alcol o sostanze simili. In caso contrario, potrebbero verificarsi scoloriture, deformazioni o incrustature.

AVVERTENZA:

- Accertarsi che la lama sia sempre affilata e pulita per le migliori prestazioni e la massima sicurezza.

Regolazione dell'angolo di taglio

Questo utensile è regolato e allineato in fabbrica; tuttavia, un utilizzo non corretto potrebbe modificare l'allineamento. Se l'utensile non è allineato correttamente, attenersi alla procedura riportata di seguito:

1. Angolo di taglio circolare (Fig. 34)

Allentare la ganaschia che fissa la base girevole. Ruotare la base girevole in modo che l'indicatore si trovi sullo 0° nella scala di taglio circolare. Serrare la ganaschia e allentare i bulloni esagonali che fissano la guida utilizzando la chiave. Se l'indicatore non si trova su 0° nella scala di taglio circolare, allentare la vite dell'indicatore e spostare la piastra fino a quando l'indicatore si trova su 0° sulla scala di taglio circolare. Abbassare completamente l'impugnatura premendo il perno di fermo. Accertarsi che il lato della lama sia perpendicolare rispetto alla guida utilizzando una squadra, quindi fissare i bulloni esagonali sulla guida nell'ordine, partendo dal lato destro. (Fig. 35)

2. Angolazione di taglio obliquo

(1) Angolazione di taglio obliquo 0° (Fig. 36)
Abbassare completamente l'impugnatura premendo il perno di fermo. Allentare la manopola nella parte posteriore dell'utensile. Allentare il dado esagonale e ruotare due o tre volte in senso orario il bullone di regolazione dell'angolo di taglio obliquo 0° sul lato destro della base girevole per inclinare la lama verso destra.

Assicurarsi che il lato della lama sia perpendicolare alla superficie superiore della base girevole utilizzando una squadra; per la regolazione, ruotare in senso antiorario il bullone di regolazione dell'angolo di taglio obliquo 0°. Serrare quindi il dado esagonale per fissare il bullone di regolazione dell'angolo di taglio obliquo 0° e serrare la manopola.

Assicurarsi che l'indicatore sul braccio sia nella posizione 0° sulla scala di taglio obliquo. Se l'indicatore non si trova su 0° nella scala di taglio obliquo, allentare la vite dell'indicatore e spostare la piastra fino a quando l'indicatore si trova su 0° sulla scala di taglio obliquo. (Fig. 37 e 38)

(2) Angolazione di taglio obliquo 45° (Fig. 39)
Regolare l'angolo di taglio obliquo 45° solo dopo aver eseguito la regolazione dell'angolo di taglio obliquo 0°. Per regolare l'angolo di taglio obliquo 45°, allentare la manopola e inclinare la lama del tutto a sinistra. Assicurarsi che l'indicatore sul braccio sia nella posizione 45° sulla scala di taglio obliquo del braccio. Se l'indicatore non si trova nella posizione 45°, ruotare il bullone di regolazione dell'angolo di taglio 45° sul lato sinistro del braccio fino a quando l'indicatore è nella posizione 45°.

Sostituzione delle spazzole di carbone (Fig. 40)

Rimuovere e controllare periodicamente le spazzole di carbone. Sostituirle quando l'usura comporta una lunghezza di 3 mm. Mantenere le spazzole di carbone pulite e libere di scorrere nei supporti. Entrambe le spazzole di carbone devono essere sostituite contemporaneamente. Utilizzare solo spazzole di carbone dello stesso tipo.

Rimuovere i coperchi dei portaspazzola con un cacciavite. Estrarre le spazzole di carbone consumate, inserire le nuove spazzole e fissare i coperchi dei portaspazzola. (Fig. 41)

Dopo l'uso

- Dopo l'uso, rimuovere frammenti e polvere che hanno aderito all'utensile con un panno. Tenere pulito il coprilama secondo le indicazioni nella precedente sezione "Coprilama". Lubrificare le parti scorrevoli con olio per macchine in modo da impedire la ruggine.

Al fine di garantire la SICUREZZA e l'AFFIDABILITÀ del prodotto, le riparazioni e qualsivoglia ulteriore operazione di manutenzione o regolazione devono essere eseguite dai centri di assistenza autorizzati Makita utilizzando sempre parti di ricambio Makita.

Rumore

ENG905-1

Il tipico livello di rumore ponderato "A" è determinato in conformità con la norma EN61029:

Livello di pressione sonora (L_{pA}): 92 dB (A)

Livello di potenza sonora (L_{WA}): 105 dB (A)

Variazione (K): 3 dB (A)

Indossare una protezione acustica.

Solo per i paesi europei

ENH003-15

Dichiarazione di conformità CE

Makita dichiara che le macchine seguenti:

Denominazione dell'utensile:

Sega circolare combinata

N. modello/Tipo: MLS100

conformi alle seguenti direttive europee:

2006/42/EC

Sono prodotte in conformità agli standard o ai documenti standardizzati riportati di seguito:

EN61029

Il documento tecnico ai sensi della Direttiva europea 2006/42/EC è disponibile presso:

Makita, Jan-Baptist Vinkstraat 2, 3070, Belgio

30. 5. 2014



Yasushi Fukaya

Direttore

Makita, Jan-Baptist Vinkstraat 2, 3070, Belgio

NEDERLANDS (Originele instructies)

Verklaring van algemene gegevens

1. Moersleutel	19. Middenafdekking	37. Bankschroef
2. Knop	20. Zeskantbout	38. Vulblok
3. Extra plaat	21. Zaagbladhuis	39. Aluminiumprofiel
4. Schroef	22. Pijlpunt	40. Vulblok
5. Zool	23. Zaagblad	41. Meer dan 10 mm
6. Vergrendelpen	24. As	42. Meer dan 460 mm
7. Bout	25. Flens	43. Opening
8. Beschermkap	26. Ring	44. Aanzetplaat
9. Zaagsnedeplank	27. Hulpgeleider	45. Houder
10. Stelbout	28. Stofzak	46. Vergrendelpen
11. Bovenoppervlak van draaitafel	29. Sluiting	47. Geodriehoek
12. Rand van zaagblad	30. Steun	48. Stelbout voor 0°
13. Geleider	31. Draaitafel	49. Stelbout voor verticaal- verstekhoek van 45°
14. Vergrendelknop	32. Draaiknop van bankschroef	50. Koolborsteldop
15. Handvat	33. Schroef	51. Schroevendraaier
16. Aanwijspunt	34. Arm van bankschroef	
17. Pal	35. Stang van bankschroef	
18. Aan/uit-schakelaar	36. Verticale bankschroef	

TECHNISCHE GEGEVENS

Model	MLS100
Diameter zaagblad	255 mm
Dikte van zaagblad	1,6 mm - 2,4 mm
Diameter middengat	
Voor alle niet-Europese landen	25,4 mm
Voor Europese landen	30 mm
Max. zaagdikte (h x b) met zaagblad van 255 mm diameter	

Verticaal-verstekhoek	Verstekhoek	
	0°	45° (links en rechts)
0°	75 mm x 130 mm	75 mm x 90 mm
45° (links)	48 mm x 120 mm	48 mm x 90 mm

Onbelaste snelheid (min ⁻¹)	4200
Afmetingen (l x b x h)	610 mm x 485 mm x 515 mm
Netto gewicht	14,7 kg
Veiligheidsklasse	II

- Als gevolg van ons doorlopende onderzoeks- en ontwikkelingsprogramma, zijn de technische gegevens van dit gereedschap onderhevig aan veranderingen zonder voorafgaande kennisgeving.
- De technische gegevens kunnen van land tot land verschillen.
- Gewicht volgens EPTA-procedure 01/2003

Symbolen

END217-5

Hieronder staan de symbolen die voor dit gereedschap worden gebruikt.

Zorg ervoor dat u weet wat ze betekenen alvorens het gereedschap te gebruiken.



..... Lees de gebruiksaanwijzing.



..... DUBBEL GEÏSOLEERD



..... Om letsel door rondvliegende houtsnippers te voorkomen, blijft u na het zagen de zaagkop omlaag gedruwd houden totdat het zaagblad volledig tot stilstand is gekomen.



..... Houd handen en vingers uit de buurt van de zaagband.



..... Verwijder voor uw eigen veiligheid alle spaanders, kleine stukjes hout, enz., vanaf het tafelloppervlak voordat u het gereedschap bedient.



..... Zet de HULPGELEIDER altijd in de linkerstand wanneer u links-verticaal-verstekzaagt. Zoniet kan de operator ernstig gewond raken.



..... Draai de bout rechtsom los.



..... Alleen voor EU-landen
Geef elektrisch gereedschap niet met het huisvuil mee!
Volgens de Europese richtlijn inzake oude elektrische en elektronische apparaten en de toepassing daarvan binnen de nationale wetgeving, dient gebruikt elektrisch gereedschap gescheiden te worden ingezameld en te worden afgevoerd naar een recyclingbedrijf dat voldoet aan de geldende milieueisen.

Gebruiksdoelinden ENE004-1
Het gereedschap is bedoeld voor recht- en verstekzagen in hout. Als het juiste zaagblad wordt gebruikt, kan dit gereedschap ook aluminium zagen.

Voeding ENF002-2
Het gereedschap mag uitsluitend worden aangesloten op een voeding met dezelfde spanning als aangegeven op het typeplaatje en werkt alleen op enkele-fase wisselstroom. Het gereedschap is dubbel geïsoleerd en mag derhalve ook op een niet-geaard stopcontact worden aangesloten.

Algemene veiligheids waarschuwingen voor elektrisch gereedschap

GEA010-1

⚠ WAARSCHUWING Lees alle veiligheids waarschuwingen en alle instructies. Het niet volgen van de waarschuwingen en instructies kan leiden tot elektrische schokken, brand en/of ernstig letsel.

Bewaar alle waarschuwingen en instructies om in de toekomst te kunnen raadplegen.

VEILIGHEIDSWAARSCHUWINGEN VOOR EEN VERSTEKZAAG

ENB034-8

- Houd uw handen uit de buurt van de zaaglijn van het zaagblad. Voorkom contact met het nog nadraaiende zaagblad. Het kan nog steeds ernstig letsel veroorzaken.
- Controleer vóór het gebruik het zaagblad zorgvuldig op barsten of vervormingen. Vervang een beschadigd zaagblad onmiddellijk.
- Vervang de zaagsnedeplank als deze versleten is.
- Gebruik alleen zaagbladen die worden gespecificeerd door de fabrikant en voldoen aan EN847-1.
- Zaagbladen van hooggelegeerd snelstaal (HSS) mogen niet worden gebruikt.
- Draag oogbescherming.
- Draag gehoorbescherming om de kans op gehoorbeschadiging te verkleinen.
- Draag handschoenen wanneer u zaagbladen of ruw materiaal hanteert (zaagbladen dienen zo vaak als praktisch mogelijk is in een houder te worden gedragen).
- Sluit de verstekzaag aan op een stofafzuig- en stofopvanginrichting tijdens het zagen.
- Kies het juiste zaagblad voor het materiaal dat u wilt zagen.
- Gebruik de zaag niet voor het zagen van andere materialen dan hout, aluminium en dergelijke.
- Zet altijd alle beweegbare delen vast voordat u het gereedschap draagt. Wanneer u het gereedschap optilt of draagt, mag u de beschermkap niet gebruiken als draaghandvat.
- Bedien de zaag niet zonder dat de beschermkappen zijn aangebracht. Controleer voor ieder gebruik of de beschermkap van het zaagblad goed sluit. Gebruik de zaag niet als de beschermkap van het zaagblad niet vrij kan bewegen en onmiddellijk sluit. Zet de beschermkap van het zaagblad nooit vast in de geopende stand.
- Houd het vloeroppervlak vrij van losse materialen, zoals houtsnippers en afgezaagde stukken hout.
- Gebruik uitsluitend zaagbladen die zijn gemarkeerd met een maximumtoerental dat gelijk is aan of hoger is dan het nullastoerental aangegeven op het gereedschap.
- Als het gereedschap is uitgerust met een laser of LED, mag u de laser of LED niet vervangen door een ander type. Vraag een erkende servicecentrum het gereedschap te repareren.
- Verwijder nooit afgezaagde delen of andere delen van het werkstuk uit het zaaggebied terwijl het gereedschap draait met een onbeschermd zaagblad.
- Zaag nooit uit de vrije hand. Het werkstuk moet voor ieder gebruik met behulp van de bankschroef stevig worden vastgeklemd op de draaitafel en tegen de geleider. Houd het werkstuk nooit met uw handen vast.
- Controleer vóór elke snede of het gereedschap stabiel staat.
- Monteer zo nodig het gereedschap op een werkbank.
- Ondersteun lange werkstukken met geschikte extra steunen.
- Zaag nooit een werkstuk dat zo klein is dat het niet in de bankschroef kan worden vastgeklemd. Onvoldoende goed vastgeklemd werkstukken kunnen terugslag veroorzaken met ernstig persoonlijk letsel tot gevolg.
- Reik nooit rondom het zaagblad.
- Schakel het gereedschap uit en wacht tot het zaagblad stilstaat voordat u het werkstuk verplaatst of de instelling van het gereedschap verandert.
- Trek de stekker van het gereedschap uit het stopcontact voordat u het zaagblad vervangt of onderhoud pleegt.
- De vergrendelpen, waarmee de zaagkop in de onderste stand wordt vergrendeld, is uitsluitend bedoeld om te worden gebruikt tijdens het dragen en bewaren van het gereedschap, en niet tijdens het zagen.
- Gebruik het gereedschap niet in de buurt van ontvlambare vloeistoffen of gassen. De elektrische werking van het gereedschap kan een explosie en

- brand veroorzaken bij blootstelling aan ontvlambare vloeistoffen of gassen.
28. **Gebruik uitsluitend flenzen die geschikt zijn voor dit gereedschap.**
 29. **Wees voorzichtig dat u niet de as, flenzen (met name het montagevlak) of bout beschadigt.** Als deze onderdelen beschadigd raken, kan het zaagblad breken.
 30. **Zorg ervoor dat de draaitafel stevig vast staat zodat deze tijdens het zagen niet beweegt.**
 31. **Verwijder voor uw eigen veiligheid alle spaanders, kleine stukjes hout, enz., vanaf het tafelopervlak voordat u het gereedschap bedient.**
 32. **Voorkom dat u in spijkers zaagt.** Inspecteer het werkstuk op spijkers en verwijder deze zo nodig voordat u ermee begint te werken.
 33. **Zorg ervoor dat de asvergrendeling is ontgrendeld voordat u het gereedschap inschakelt.**
 34. **Controleer dat het zaagblad in zijn laagste stand de draaitafel niet raakt.**
 35. **Houd de handgreep stevig vast. Let erop dat het zaagblad iets op en neer beweegt tijdens het starten en stoppen.**
 36. **Zorg ervoor dat het zaagblad het werkstuk niet raakt voordat u het gereedschap hebt ingeschakeld.**
 37. **Laat het gereedschap een tijdje draaien voordat u het op het werkstuk gebruikt.** Controleer op trillingen of schommelingen die op onjuiste bevestiging of een slecht uitgebalanceerd zaagblad kunnen wijzen.
 38. **Wacht totdat het zaagblad op volle snelheid draait voordat u begint te zagen.**
 39. **Stop onmiddellijk met het gebruik als u iets abnormaals opmerkt.**
 40. **Probeer niet de aan-uitschakelaar in de aan-stand vast te zetten.**
 41. **Blijf te allen tijde geconcentreerd, met name tijdens zich herhalende, monotone bedieningen.** Laat u niet leiden door een vals gevoel van veiligheid. Het zaagblad kent geen medelijden!
 42. **Gebruik altijd de accessoires die in deze gebruiksaanwijzing aanbevolen worden.** Gebruik van ongeschikte accessoires, zoals slijpschijven, kan tot letsel leiden.
 43. **Wees voorzichtig bij het zagen van gleuven.**
 44. **Stof dat tijdens de werkzaamheden vrijkomt, kan chemische bestanddelen bevatten die kanker, geboortedefecten of andere voortplantingsschade kunnen veroorzaken.** Enkele voorbeelden van deze chemische stoffen zijn:
 - lood van loodhoudende verfstoffen en
 - arsenicum en chroom van chemisch behandeld hout.
 Het risico van deze blootstellingen varieert en hangt af van hoe vaak u dit soort werkzaamheden uitvoert. Om blootstelling aan deze chemische stoffen te verminderen, moeten de werkzaamheden uitgevoerd worden in een goed geventileerde werkomgeving en gebruikmakend van goedgekeurde veiligheidsmiddelen, zoals stofmaskers die ontworpen zijn om microscopisch kleine deeltjes te kunnen filteren.

45. **Om het geluidsniveau te verlagen, zorgt u er altijd voor dat het zaagblad scherp en schoon is.**
46. **De gebruiker moet voldoende getraind zijn in het gebruik, de afstelling en de bediening van het gereedschap.**

BEWAAR DEZE INSTRUCTIES.



WAARSCHUWING:

Laat u NIET misleiden door een vals gevoel van comfort en bekendheid met het gereedschap (na veelvuldig gebruik) en neem alle veiligheidsvoorschriften van het betreffende product altijd strikt in acht. **VERKEERD GEBRUIK** of het niet volgen van de veiligheidsinstructies in deze gebruiksaanwijzing kan leiden tot ernstig persoonlijk letsel.

BEDIENING (zie afb. 1 en 2)

Wanneer u het gereedschap koopt is het handgreep vergrendeld in de onderste stand door middel van de vergrendelpen. Draai de bout los met de bijgeleverde sleutel en zet de zaagkop in de juiste hoek. Verwijder de bout en zet de zaagkop vast met de knop.

De extra plaat monteren (zie afb. 3)

Leg het gat in de extra plaat op het gat in de zool van het gereedschap en monteer de extra plaat met behulp van de schroef.

Montage op een werkbank

Wanneer u het gereedschap koopt is het handgreep vergrendeld in de onderste stand door middel van de vergrendelpen. Ontgrendel de vergrendelpen door de handgreep iets omlaag te duwen en de vergrendelpen naar buiten te trekken. **(zie afb. 4)**

Dit gereedschap moet met vier bouten worden gemonteerd op een horizontale en stabiele ondergrond met gebruikmaking van de boutgaten in de voeten van het gereedschap. Hierdoor wordt voorkomen dat het gereedschap kan omvallen en letsel kan veroorzaken. **(zie afb. 5)**

BESCHRIJVING VAN DE FUNCTIES

LET OP:

- Controleer altijd of het gereedschap is uitgeschakeld en de stekker uit het stopcontact is getrokken alvorens de functies van het gereedschap te controleren of af te stellen.

Beschermkap (zie afb. 6)

Wanneer u de handgreep omlaag duwt, gaat de beschermkap automatisch omhoog. De beschermkap is geveerd, zodat deze naar zijn oorspronkelijke plaats terugkeert wanneer de handgreep omhoog gaat nadat het zagen klaar is. **NOOIT DE WERKING VAN DE BESCHERMKAP OF DE DAARAAN BEVESTIGDE VEER HINDEREN OF DEZE VERWIJDEREN.**

Omwille van uw persoonlijke veiligheid zorgt u ervoor dat de beschermkap altijd goed werkt. Iedere onregelmatigheid in de werking van de beschermkap

moet onmiddellijk worden gecorrigeerd. Controleer de werking van de trekveer van de beschermkap. **NOOIT HET GEREEDSCHAP GEBRUIKEN ALS DE BESCHERMKAP OF VEER BESCHADIGD, DEFECT OF VERWIJDERD ZIJN. DIT TOCH DOEN IS UITERST GEVAARLIJK EN KAN LEIDEN TOT ERNSTIG PERSOONLIJK LETSEL.**

Als de doorzichtige beschermkap vuil is geworden of er zaagsel aan kleefv dat het zaagblad niet meer goed zichtbaar is, trekt u de stekker uit het stopcontact en maakt u de beschermkap voorzichtig schoon met een vochtige doek. Gebruik geen oplosmiddelen of op petroleum gebaseerde schoonmaakmiddelen op de kunststoffen beschermkap. Als de doorzichtige beschermkap vuil is geworden of er zaagsel aan kleefv zodat het zaagblad en/of het werkstuk niet meer goed zichtbaar is, trekt u de stekker uit het stopcontact en maakt u de beschermkap voorzichtig schoon met een vochtige doek. Gebruik geen oplosmiddelen of op petroleum gebaseerde schoonmaakmiddelen op de kunststoffen beschermkap.

Als de beschermkap bijzonder vuil is en u er niet meer doorheen kunt kijken, gebruikt u de bijgeleverde sleutel om de zeskantbout los te draaien waarmee de middenafdekking is bevestigd. Draai de zeskantbout los door deze linksom te draaien en til de beschermkap en middenafdekking op. Met de beschermkap in deze positie kan deze effectiever en vollediger worden schoongemaakt. Nadat u klaar bent met het schoonmaken, voert u de bovenstaande procedure in omgekeerde volgorde uit en draait u de bout weer vast. Verwijder niet de veer waarmee de beschermkap is vastgezet. Als de beschermkap van kleur is veranderd door ouderdom of blootstelling aan ultravioletlicht, neemt u contact op met een Makita-servicecentrum om een nieuwe beschermkap te bestellen. **DE WERKING VAN DE BESCHERMKAP NIET HINDEREN EN DEZE NIET VERWIJDEREN. (zie afb. 7)**

Zaagsnedeplank (zie afb. 8)

Dit gereedschap is voorzien van een zaagsnedeplank in de draaitafel om splinteren aan de uitgangszijde van de zaagsnede te minimaliseren. Als de zaagsnedegroef in de fabriek nog niet is aangebracht in de zaagsnedeplank, moet u de groef zelf maken voordat u met het gereedschap een werkstuk zaagt. Schakel het gereedschap in en breng het zaagblad langzaam omlaag om een zaagsnede te maken in de zaagsnedeplank.

Maximale zaagdikte behouden

Dit gereedschap is in de fabriek afgesteld om de maximale zaagdikte te leveren met een zaagblad met een diameter van 255 mm.

Controleer bij het monteren van een nieuw zaagblad altijd de onderste stand van het zaagblad en stel deze zonodig als volgt af:

Trek eerst de stekker van het gereedschap uit het stopcontact. Breng de handgreep zo ver mogelijk omlaag. Gebruik een sleutel om de stelbout te draaien totdat de rand van het zaagblad tot net onder het bovenoppervlak van de draaitafel komt op het punt waar de voorzijde van de geleider raakt aan het bovenoppervlak van de draaitafel. **(zie afb. 9)**

Met de stekker van het gereedschap uit het stopcontact, houdt u de handgreep zo ver mogelijk omlaag gedrukt en draait u het zaagblad met de hand rond om u ervan te verzekeren dat het zaagblad geen enkel onderdeel van het onderstel raakt. Stel zonodig opnieuw af. **(zie afb. 10)**

LET OP:

- Na het monteren van een nieuw zaagblad controleert u altijd dat het zaagblad geen enkel onderdeel van het onderstel raakt wanneer de handgreep zo ver mogelijk omlaag wordt geduwd. Doe dit alleen wanneer de stekker van het gereedschap uit het stopcontact is getrokken.

De horizontaal-verstekhoek instellen (zie afb. 11)

Draai het handvat los door dit linksom te draaien. Houd de vergrendelknop ingedrukt en verdraai de draaitafel. Wanneer u het handvat hebt verdraaid naar de positie waarop de aanwijspunt de gewenste hoek aangeeft, draait u het handvat stevig rechtsom vast.

LET OP:

- Voordat u de draaitafel verdraait, controleert u dat de handgreep zo ver mogelijk omhoog staat.
- Nadat u de horizontaal-verstekhoek hebt veranderd, zet u altijd de draaitafel vast door het handvat stevig vast te draaien.

De verticaal-verstekhoek instellen (zie afb. 12 en 13)

Om de verticaal-verstekhoek in te stellen, draait u de knop aan de achterkant van het gereedschap los.

Duw de handgreep naar links om het zaagblad te kantelen totdat de aanwijspunt de gewenste hoek aangeeft op de verticaal-verstekschaalverdeling.

Draai tenslotte de knop weer stevig rechtsom vast om de arm vast te zetten.

LET OP:

- Voordat u het zaagblad kantelt, controleert u dat de handgreep zo ver mogelijk omhoog staat.
- Nadat u de verticaal-verstekhoek hebt veranderd, moet u altijd de arm vastzetten door de knop rechtsom te draaien.

Werking van de aan/uit-schakelaar

LET OP:

- Controleer altijd, voordat u de stekker in het stopcontact steekt, of de aan/uit-schakelaar op de juiste manier schakelt en weer terugkeert naar de uitstand nadat deze is losgelaten.

Voor Europese landen (zie afb. 14)

Om het gereedschap te starten, duwt u de pal naar rechts en knijpt u de aan/uit-schakelaar in. Laat de aan/uit-schakelaar los om het gereedschap te stoppen

Voor alle niet-Europese landen (zie afb. 15)

Om het gereedschap in te schakelen, knijpt u gewoon de aan/uit-schakelaar in. Laat de aan/uit-schakelaar los om het gereedschap te stoppen

WAARSCHUWING:

- Gebruik het gereedschap **NOOIT** als de aan/uit-schakelaar niet goed werkt. Ieder gereedschap met

een defecte aan/uit-schakelaar is UITERST GEVAARLIJK en moet worden gerepareerd voordat het gereedschap wordt gebruikt.

ONDERDELEN AANBRENGEN/ VERWIJDEREN

LET OP:

- Controleer altijd of het gereedschap is uitgeschakeld en de stekker uit het stopcontact is getrokken alvorens enige werk aan het gereedschap uit te voeren.

Het zaagblad monteren en verwijderen

LET OP:

- Controleer altijd of het gereedschap is uitgeschakeld en de stekker uit het stopcontact is getrokken alvorens het zaagblad te monteren of verwijderen.
- Gebruik uitsluitend de bijgeleverde Makita-inbussleutel voor het aanbrengen en verwijderen van het zaagblad. Als u dit nalaat, loopt u het risico dat de zeskantbout te vast of onvoldoende vast aangedraaid wordt. Hierdoor kan letsel worden veroorzaakt.

Bij het monteren of verwijderen van het zaagblad moet de handgreep in de bovenste stand staan. (zie blz. 16)

Als u het zaagblad wilt verwijderen gebruikt u de sleutel om de zeskantmoer waarmee de middenafdekking is bevestigd linksom los te draaien. Til de beschermkap en de middenafdekking op. (zie afb. 17)

Druk de asvergrendeling in om de as te vergrendelen en gebruik de sleutel om de zeskantbout rechtsom los te draaien. Verwijder tenslotte de zeskantbout, de buitenflens en het zaagblad. (zie afb. 18)

Als u een nieuw zaagblad wilt monteren, plaatst u het voorzichtig op de as, waarbij u er goed op let dat de richting van de pijl op de zijkant van het zaagblad overeenkomt met de richting van de pijl op het zaagbladhuis. Monteer de buitenflens en zeskantbout (met tegengestelde schroefdraad), en gebruik de sleutel om de zeskantbout stevig linksom vast te draaien terwijl u de asvergrendeling ingedrukt houdt. (zie afb. 19 en 20)

LET OP:

- De ring, met een buitendiameter van 25,4 of 30 mm, is door de fabrikant op de as aangebracht. Voordat het zaagblad op de as wordt gemonteerd, moet u ervoor zorgen, dat de juiste ring, passend voor het asgat van het zaagblad, aangebracht is op de as.

Monteer de buitenflens en zeskantbout (met tegengestelde schroefdraad), en gebruik de sleutel om de zeskantbout stevig linksom vast te draaien terwijl u de asvergrendeling ingedrukt houdt.

Breng de beschermkap en de middenafdekking terug op hun oorspronkelijke plaatsen. Draai daarna de zeskantbout rechtsom om de middenafdekking vast te zetten. Duw de handgreep omlaag om te controleren of de beschermkap goed beweegt. Controleer dat de asvergrendeling de as niet langer vergrendelt voordat u met het gereedschap zaagt.

Hulpgeleider (alleen voor Europese landen) (zie afb. 21)

Dit gereedschap is uitgerust met een hulpgeleider. Normaal gesproken is de hulpgeleider ingeklapt. Echter, bij links verticaal-verstekzagen, klapt u hem naar buiten.

⚠ LET OP:

- Bij links verticaal-verstekzagen, klapt u de hulpgeleider naar buiten. Als u dit niet doet, zal hij het zaagblad of een onderdeel van het gereedschap raken, waardoor ernstig persoonlijk letsel aan de gebruiker kan worden veroorzaakt.

Stofzak (zie afb. 22 en 23)

Door de stofzak te gebruiken werkt u schoon en kan het zaagsel eenvoudig worden opgeruimd. Bevestig de stofzak op de stofafzuigaansluitmond.

Wanneer de stofzak ongeveer halfvol is, haalt u de stofzak van het gereedschap af en trekt u de sluiting eraf. Gooi het zaagsel in de stofzak weg en tik zacht tegen de stofzak zodat ook de deeltjes die tegen de binnenkant kleven, en verdere afzuiging kunnen hinderen, eruit vallen.

OPMERKING:

Als u een Makita-stofzuiger aansluit op uw gereedschap, kunt u nog efficiënter en schoner werken.

Werkstuk vastklemmen

WAARSCHUWING:

- Het is uiterst belangrijk het werkstuk altijd goed en stevig vast te klemmen in de bankschroef. Als u dit niet doet, kan het gereedschap worden beschadigd en/of het werkstuk worden vernield. DIT KAN TEVENS LEIDEN TOT PERSOONLIJK LETSEL. Bovendien, nadat u klaar bent met zagen mag u de handgreep pas omhoog trekken nadat het zaagblad volledig tot stilstand is gekomen.

LET OP:

- Als u een lang werkstuk zaagt, gebruikt u steunen die even hoog zijn als het bovenoppervlak van de draaitafel. Vertrouw niet uitsluitend op de verticale bankschroef en/of de horizontale bankschroef om het werkstuk vast te klemmen. Dun materiaal kan doorhangen. Ondersteun het werkstuk over zijn gehele lengte om vastlopen van het zaagblad en mogelijke TERUGSLAG te voorkomen. (zie afb. 24)

Verticale bankschroef (zie afb. 25)

De verticale bankschroef kan op twee plaatsen worden gemonteerd: aan de linkerkant of aan de rechterkant van de geleider. Steek de stang van de bankschroef in het gat in de geleider en draai de schroef vast om de stang van de bankschroef vast te zetten.

Stel de arm van de bankschroef in overeenkomstig de dikte en vorm van het werkstuk, en zet de arm van de bankschroef vast door de schroef vast te draaien. Controleer dat geen enkel deel van het gereedschap in aanraking komt met de bankschroef wanneer de handgreep tot in de onderste stand omlaaggebracht wordt. Al enig deel van het gereedschap de bankschroef raakt, verandert u de positie van de bankschroef.

Duw het werkstuk glad tegen de geleider en de draaitafel. Positioneer het werkstuk op de gewenste zaagpositie en zet het stevig vast door de knop van de bankschroef vast te draaien.

LET OP:

- Het werkstuk moet voor ieder gebruik met behulp van de bankschroef stevig worden vastgeklemd op de draaitafel en tegen de geleider.

BEDIENING (zie afb. 26)

LET OP:

- Vergeet niet vóór gebruik de handgreep te ontgrendelen uit de onderste stand door de vergrendelen naar buiten te trekken.
- Zorg ervoor dat het zaagblad het werkstuk niet raakt, enz., voordat u het gereedschap ingeschakeld.
- Oefen geen grote druk uit op de handgreep tijdens het zagen. Een te hoge kracht kan leiden tot overbelasting van de motor en/of minder efficiënt zagen. Duw de handgreep met net voldoende kracht omlaag als nodig is om soepel te zagen zonder dat de snelheid van het zaagblad aanmerkelijk lager wordt.
- Duw de handgreep voorzichtig omlaag om te zagen. Als u de handgreep met kracht omlaag duwt of als laterale kracht wordt uitgeoefend, zal het zaagblad trillen en een streep (brandplek) op het werkstuk achterlaten, en zal de nauwkeurigheid van het zagen eronder lijden.

1. Rechtzagen (zie afb. 27)

Klem het werkstuk vast in de bankschroef. Schakel het gereedschap in zonder dat het zaagblad iets raakt en wacht tot het zaagblad op volle snelheid draait voordat u het omlaag brengt. Breng vervolgens de handgreep voorzichtig zo ver mogelijk omlaag om het werkstuk te zagen. Nadat het zagen klaar is, schakelt u het gereedschap uit en **WACHT U TOTDAT HET ZAAGBLAD VOLLEDIG TOT STILSTAND IS GEKOMEN** voordat u het zaagblad omhoog brengt tot in de hoogste stand.

2. Verstekzagen

Raadpleeg de beschrijving onder "De horizontaal-verstekhoek instellen".

3. Verticaal-verstekzagen (zie afb. 28)

Draai de knop los en kantel het zaagblad om de verticaal-verstekhoek in te stellen. Raadpleeg de beschrijving onder "De verticaal-verstekhoek instellen". Vergeet niet de knop weer stevig vast te draaien om de ingestelde verticaal-verstekhoek veilig te kunnen gebruiken. Klem het werkstuk vast in een bankschroef. Schakel het gereedschap in zonder dat het zaagblad iets raakt en wacht tot het zaagblad op volle snelheid draait. Breng vervolgens de handgreep voorzichtig zo ver mogelijk omlaag en oefen druk uit parallel aan het zaagblad. Nadat het zagen klaar is, schakelt u het gereedschap uit en **WACHT U TOTDAT HET ZAAGBLAD VOLLEDIG TOT STILSTAND IS GEKOMEN** voordat u het zaagblad omhoog brengt tot in de hoogste stand.

LET OP:

- Onthoud goed dat het zaagblad onder de verticaal-verstekhoek omlaag beweegt tijdens het verticaal-

verstekzagen. Houd uw handen uit de buurt van het pad van het zaagblad.

- Tijdens het verticaal-verstekzagen kan het voorkomen dat het afgezaagde stuk hout tegen de zijkant van het zaagblad ligt. Als het zaagblad omhoog gebracht wordt terwijl het nog draait, kan dit stuk hout door het zaagblad gepakt worden waardoor fragmenten worden rondgeslingerd. Dit is gevaarlijk. Het zaagblad mag **ALLEEN** omhoog worden gebracht nadat dit volledig tot stilstand is gekomen.
 - Bij het omlaagbrengen van het zaagblad, moet de uitgeoefende druk parallel zijn aan het zaagblad. Als tijdens het zagen de druk niet parallel aan het zaagblad wordt uitgeoefend, kan de hoek van het zaagblad verlopen waardoor een onzuivere zaagsnede ontstaat.
 - (alleen voor Europese landen) klap de hulpgeleider altijd naar buiten bij links verticaal-verstekzagen.
- ### 4. Samengesteld verstekzagen
- Samengesteld-verstekzagen is een bewerking waarbij verticaal-verstekzagen wordt gecombineerd met horizontaal-verstekzagen in een werkstuk. Samengesteld-verstekzagen kan worden uitgevoerd met de hoeken aangegeven in de tabel.

Verticaal-verstekhoek	Verstekhoek
45°	Links en rechts 0 t/m 45°

006366

Als u samengesteld-verstekzagen wilt uitvoeren, raadpleegt u de beschrijvingen onder "Rechtzagen", "Verstekzagen" en "Verticaal-verstekzagen"

5. Een aluminiumprofiel zagen (zie afb. 29)

Als u een aluminiumprofiel wilt vastklemmen in de bankschroef, maakt u gebruik van vulblokken of stuken afvalhout, zoals aangegeven in afbeelding, om te voorkomen dat het aluminiumprofiel vervormt. Gebruik snijolie als smeermiddel bij het zagen van een aluminiumprofiel om te voorkomen dat aluminiumslijpsel zich op het zaagblad ophoopt.

LET OP:

- Probeer nooit dikke aluminiumprofielen of ronde aluminiumpijpen te zagen. Dikke aluminiumprofielen kunnen losschieten tijdens het zagen en ronde aluminiumpijpen kunnen niet stevig worden vastgeklemd in dit gereedschap.

6. Houten bekleding

Het gebruik van houten bekleding draagt bij aan het splintervrij zagen van werkstukken. Bevestig de houten bekleding op de geleider met gebruikmaking van de gaten in de geleider. Zie de afbeelding voor de afmetingen van de aanbevolen houten bekleding. (zie afb. 30)

LET OP:

- Gebruik voor de houten bekleding recht hout van gelijkmatige dikte.
- Bevestig de houten bekleding aan de geleider met behulp van schroeven. De schroeven dienen zodanig te worden ingedraaid dat de schroefkoppen zich onder het oppervlak van de houten bekleding bevinden.
- Als de houten bekleding op de geleider is bevestigd, mag u de draaitafel niet meer verdraaien terwijl de

handgreep omlaag staat. Hierdoor zullen het zaagblad en/of de houten bekleding worden beschadigd.

- De maximale zaagdikte moet worden verminderd met de dikte van de houten bekleding.

7. Steeds dezelfde lengte afzagen (zie afb. 31)

Als u meerdere werkstukken op dezelfde lengte wilt afzagen, van 240 mm tot 380 mm, kunt u efficiënter werken door gebruik te maken van de stelplaat (los verkrijgbaar). Monteer de stelplaat op de steunstang (los verkrijgbaar), zoals aangegeven in de afbeelding. Lijn de zaaglijn op uw werkstuk uit met de linker- of rechterzijkant van de groef in de zaagsnedeplank, en terwijl u het werkstuk vasthoudt zodat het niet kan bewegen, schuift u de stelplaat tegen het uiteinde van het werkstuk. Zet vervolgens de stelplaat vast met behulp van de vleugelschroef. Wanneer de stelplaat niet wordt gebruikt, draait u de vleugelschroef los en klap u de stelplaat aan de kant.

Transport van het gereedschap (zie afb. 32)

Zorg ervoor dat de stekker uit het stopcontact is getrokken. Zet het zaagblad vast op een verticaal-verstekhoek van 0° en de draaitafel op maximaal horizontaal-verstek naar links. Breng de handgreep omlaag en vergrendel deze in de laagste stand door de vergrendelpen naar binnen te duwen. Draag het gereedschap aan het transporthandvat zoals aangegeven in de afbeelding. Als u de steunstangen, steunvoeten, stofzak, enz., verwijdert, kunt u het gereedschap gemakkelijker transporteren. (zie afb. 33)

LET OP:

- Zet altijd alle beweegbare delen vast voordat u het gereedschap transporteert.
- De vergrendelpen is uitsluitend bedoeld te worden gebruikt tijdens het transporteren en bewaren van het gereedschap, en niet tijdens het zagen.

ONDERHOUD

LET OP:

- Zorg er altijd voor dat de machine is uitgeschakeld en de stekker uit het stopcontact is getrokken, voordat u een inspectie of onderhoud uitvoert.
- Gebruik nooit benzine, wasbenzine, thinner, alcohol, enz. Dit kan leiden tot verkleuren, vervormen of barsten.

WAARSCHUWING:

- Controleer altijd dat het zaagblad scherp en schoon is voor een veilig gebruik en optimale prestaties.

De zaaghoek instellen

Dit gereedschap is in de fabriek zorgvuldig uitgelijnd en ingesteld, maar door grove behandeling kan de uitlijning zijn veranderd. Als het zaagblad niet goed is uitgelijnd, voert u de volgende afstelling uit:

1. Horizontaal-verstekhoek (zie afb. 34)

Draai het handvat los waarmee de draaitafel is vastgezet. Verdraai de draaitafel zodat de aanwijspunt precies 0° aangeeft op de verstekschaalverdeling. Draai het handvat vast en draai met de sleutel de zeskantbouten los waarmee de geleider is bevestigd. Als de aanwijspunt op de horizontaal-

verstekschaalverdeling niet precies op 0 staat, draait u de schroef los waarmee de aanwijspunt is vastgezet, verplaatst u de aanwijspunt en zet u deze weer vast zodanig dat de aanwijspunt nu wel 0° aanwijst op de horizontaal-verstekschaalverdeling.

Breng de handgreep omlaag en vergrendel deze in de laagste stand door de vergrendelpen naar binnen te duwen. Zet de zijkant van het zaagblad haaks op de voorzijde van de geleider met behulp van een geodriehoek, winkelhaak, enz. Draai vervolgens de zeskantbouten van de geleider op volgorde vast vanaf de rechterkant. (zie afb. 35)

2. Verticaal-verstekhoek

(1) Verticaal-verstekhoek van 0° (zie afb. 36)

Breng de handgreep omlaag en vergrendel deze in de laagste stand door de vergrendelpen naar binnen te duwen. Draai de knop aan de achterkant van het gereedschap los. Draai de zeskantmoer los en draai de stelbout voor de verticaal-verstekhoek van 0° aan de rechterkant van de draaitafel twee of drie volle slagen rechtsom zodat het zaagblad naar rechts kantelt.

Zet met behulp van een geodriehoek, winkelhaak, enz., de zijkant van het zaagblad nauwkeurig haaks op het bovenoppervlak van de draaitafel door de stelbout voor de verticaal-verstekhoek van 0° linksom te draaien. Draai vervolgens de zeskantmoer vast om de stelbout voor de verticaal-verstekhoek van 0° te borgen en draai de knop aan de achterkant van het gereedschap stevig vast.

Controleer dat de aanwijspunt op de arm naar 0° wijst op de verticaal-verstekschaalverdeling. Als de aanwijspunt op de verticaal-verstekschaalverdeling niet precies op 0 staat, draait u de schroef los waarmee de aanwijspunt is vastgezet, verplaatst u de aanwijspunt en zet u deze weer vast zodanig dat de aanwijspunt nu wel 0° aanwijst op de verticaal-verstekschaalverdeling (zie afb. 37 en 38).

(2) Verticaal-verstekhoek van 45° (zie afb. 39)

Stel de verticaal-verstekhoek van 45° alleen af nadat u eerst de verticaal-verstekhoek van 0° hebt afgesteld. Om de verticaal-verstekhoek van 45° naar links af te stellen, draait u de knop los en kantelt u het zaagblad volledig naar links. Controleer dat de aanwijspunt op de arm naar 45° wijst op de verticaal-verstekschaalverdeling op de arm. Als de aanwijspunt niet precies op 45° staat, draait u de stelbout voor de verticaal-verstekhoek van 45° aan de linkerkant van de arm totdat de aanwijspunt wel 45° aanwijst.

De koolborstels vervangen (zie afb. 40)

Verwijder en controleer de koolborstels regelmatig. Vervang deze wanneer ze tot 3 mm lengte zijn afgesleten. Houd de koolborstels schoon en zorg ervoor dat ze vrij kunnen bewegen in de houders. Beide koolborstels dienen tegelijkertijd te worden vervangen. Gebruik alleen identieke koolborstels.

Gebruik een schroevendraaier om de koolborsteldoppen te verwijderen. Haal de versleten koolborstels eruit, plaats de nieuwe erin, en zet de koolborsteldoppen goed vast (zie afb. 41)

Na gebruik

- Veeg na gebruik spaanders en zaagsel van het gereedschap af met een doek of iets dergelijks. Houd het zaagblad schoon volgens de instructies hiervoor beschreven onder "Zaagblad". Smeer de schuivende delen met machineolie om roesten te voorkomen.

Om de VEILIGHEID en BETROUWBAARHEID van het gereedschap te handhaven, dienen alle reparaties, onderhoud en afstellingen te worden uitgevoerd door een erkend Makita-servicecentrum, en altijd met gebruikmaking van originele Makita-ervangingsonderdelen.

Geluid ENG905-1

De typische, A-gewogen geluidsniveaus zijn gemeten volgens EN61029:

Geluidsdrukniveau (L_{pA}): 92 dB (A)

Geluidsvermogeniveau (L_{WA}): 105 dB (A)

Onzekerheid (K): 3 dB (A)

Draag gehoorbescherming.

Alleen voor Europese landen ENH003-15

EU-verklaring van conformiteit

Makita verklaart dat de volgende machine(s):

Aanduiding van de machine:

Samengesteld-verstekzaag

Modelnr./Type: MLS100

Voldoen aan de volgende Europese richtlijnen:

2006/42/EG

Deze zijn gefabriceerd in overeenstemming met de volgende normen of genormaliseerde documenten:

EN61029

Het technische bestand volgens 2006/42/EG is verkrijgbaar bij:

Makita, Jan-Baptist Vinkstraat 2, 3070, België

30. 5. 2014



Yasushi Fukaya

Directeur

Makita, Jan-Baptist Vinkstraat 2, 3070, België

ESPAÑOL (Instrucciones originales)

Explicación de los dibujos

- | | | |
|----------------------------------------------|------------------------------------|-----------------------------------------------|
| 1. Llave | 18. Interruptor disparador | 36. Prensa de tornillo vertical |
| 2. Pomo | 19. Cubierta central | 37. Prensa de tornillo |
| 3. Placa auxiliar | 20. Tornillo hexagonal | 38. Bloque separador |
| 4. Tornillo | 21. Carcasa de la hoja | 39. Extrusión de aluminio |
| 5. Base | 22. Flecha | 40. Bloque separador |
| 6. Pasador de tope | 23. Hoja de sierra | 41. Más de 10 mm |
| 7. Perno | 24. Husillo | 42. Más de 460 mm |
| 8. Protector de sierra | 25. Brida | 43. Orificio |
| 9. Tablero de corte | 26. Anillo | 44. Placa de ajuste |
| 10. Perno de ajuste | 27. Guía auxiliar | 45. Soporte |
| 11. Superficie superior de la base giratoria | 28. Bolsa colector de polvo | 46. Pasador de tope |
| 12. Periferia de la hoja | 29. Cierre | 47. Escuadra |
| 13. Tope de guía | 30. Soporte | 48. Perno de ajuste a 0° |
| 14. Palanca de bloqueo | 31. Base giratoria | 49. Perno de ajuste de ángulo de bisel de 45° |
| 15. Empuñadura | 32. Pomo de la prensa de tornillo | 50. Tapa del portaescobillas |
| 16. Puntero | 33. Tornillo | 51. Destornillador |
| 17. Palanca | 34. Brazo de la prensa de tornillo | |
| | 35. Barra de la prensa de tornillo | |

ESPECIFICACIONES

Modelo	MLS100
Diámetro de la hoja	255 mm
Grosor del cuerpo del disco	1,6 mm - 2,4 mm
Diámetro de perforación	
Para todos los países excepto los países europeos	25,4 mm
Para los países europeos	30 mm
Capacidades máximas de corte (alto x ancho) con la hoja de 255 mm de diámetro	

Ángulo de bisel	Ángulo de inglete	
	0°	45° (izquierda y derecha)
0°	75 mm x 130 mm	75 mm x 90 mm
45° (izquierda)	48 mm x 120 mm	48 mm x 90 mm

Velocidad en vacío (min ⁻¹)	4.200
Dimensiones (largo x ancho x alto)	610 mm x 485 mm x 515 mm
Peso neto	14,7 kg
Clase de seguridad	II

- Debido a nuestro programa continuo de investigación y desarrollo, las especificaciones aquí descritas están sujetas a cambios sin previo aviso.
- Las especificaciones pueden ser diferentes de un país a otro.
- Peso de acuerdo con el procedimiento EPTA 01/2003

Símbolos

END217-5

Se utilizan los siguientes símbolos para el equipo.

Asegúrese de que comprende su significado antes del uso.



..... Lea el manual de instrucciones.



..... DOBLE AISLAMIENTO



..... Para evitar heridas provocadas por pequeños fragmentos que puedan salir despedidos, después de realizar cortes no levante la sierra hasta que la hoja se detenga por completo.



..... Aleje las manos y los dedos del disco de corte.



..... Por su seguridad, retire las virutas y otras piezas pequeñas de la superficie de la mesa antes de utilizar la herramienta.



..... Sitúe siempre la guía auxiliar en la posición izquierda cuando realice cortes en bisel desde el lado izquierdo. De lo contrario, el operario puede sufrir heridas graves.



..... Para aflojar el tornillo, gírelo en el sentido de las agujas del reloj.



Sólo para países de la Unión Europea
¡No deseche los aparatos eléctricos junto con los residuos domésticos!
De conformidad con la Directiva Europea sobre residuos de aparatos eléctricos y electrónicos y su aplicación de acuerdo con la legislación nacional, las herramientas eléctricas cuya vida útil haya llegado a su fin se deberán recoger por separado y trasladar a una planta de reciclaje que cumpla con las exigencias ecológicas.

Uso previsto

ENE004-1

Esta herramienta está diseñada para realizar cortes rectos y a inglete de gran precisión en la madera. Con las hojas de sierra adecuadas también es posible cortar aluminio.

Alimentación

ENF002-2

La herramienta debe conectarse solamente a una fuente de alimentación de la misma tensión que la indicada en la placa de características, y sólo puede funcionar con corriente alterna monofásica. La herramienta cuenta con un doble aislamiento y puede, por lo tanto, usarse también en tomacorrientes sin conductor de tierra.

Advertencias de seguridad generales para herramientas eléctricas

GEA010-1

⚠ ADVERTENCIA Lea todas las advertencias de seguridad y todas las instrucciones. La no observancia de las advertencias y las instrucciones puede provocar descargas eléctricas, incendios y/o lesiones graves.

Guarde todas las advertencias e instrucciones para futuras consultas.

ADVERTENCIAS DE SEGURIDAD PARA LA SIERRA DE INGLETE

ENB034-8

- Mantenga las manos apartadas del recorrido del disco de sierra. Evite el contacto con cualquier disco que esté girando por inercia. Incluso entonces puede provocar lesiones graves.
- Antes de su uso, inspeccione cuidadosamente el disco para ver si tiene grietas o está deformado. Reemplace inmediatamente los discos dañados.
- Sustituya el tablero de corte cuando se gaste.
- Utilice sólo discos de sierra especificados por el fabricante que cumplan con EN847-1.
- No utilice discos de sierra fabricados con acero rápido.
- Utilice protección para los ojos.
- Utilice protección para los oídos para reducir el riesgo de pérdida auditiva.
- Utilice guantes para manipular el disco de sierra (los discos de sierra deben transportarse en una funda cuando sea posible) y materiales ásperos.
- Conecte las ingletadoras a un dispositivo de recogida de polvo mientras corta.
- Seleccione discos de sierra adecuados para cada material que vaya a cortar.
- No utilice la ingletadora para cortar otros materiales que no sean aluminio, madera o similares.
- Sujete siempre todas las partes móviles antes de transportar la herramienta. Cuando levante o transporte la herramienta, no utilice el protector como asa de transporte.
- No utilice la ingletadora si no están instalados los protectores. Compruebe que el protector del disco se cierre debidamente antes de cada uso. No utilice la ingletadora si el protector del disco no se mueve libremente y no se cierra instantáneamente. Nunca sujete ni mantenga el protector del disco en la posición abierta.
- Mantenga la superficie del suelo libre de materiales sueltos, por ejemplo, virutas y recortes.
- Utilice solo discos de sierra que estén marcados con una velocidad máxima igual o superior a la de la velocidad en vacío marcada en la herramienta.
- Cuando la herramienta se equipe con un láser o un LED, no sustituya el láser o el LED por un tipo diferente. Consulte con su centro de servicio autorizado local para una reparación.
- Nunca retire recortes ni ninguna otra parte de la pieza de trabajo del área de corte mientras la herramienta está funcionando con un disco de sierra sin protector.
- No realice ninguna operación a mano alzada. La pieza de trabajo debe estar sujeta firmemente contra la base giratoria y la guía lateral con la prensa de tornillo durante todas las operaciones. No utilice nunca su mano para sujetar la pieza de trabajo.
- Asegúrese de que la herramienta esté estable antes de cada corte.
- Fije la herramienta a un banco de trabajo si es necesario.
- Apoye las piezas de trabajo largas con soportes adicionales adecuados.
- Nunca corte una pieza de trabajo tan pequeña que no se pueda sujetar con la prensa de tornillo. Una pieza de trabajo sujeta incorrectamente puede provocar un contragolpe y lesiones personales graves.
- No se acerque nunca alrededor del disco de sierra.
- Apague la herramienta y espere a que el disco de sierra se haya detenido antes de mover la pieza de trabajo o de cambiar los ajustes.
- Desenchufe la herramienta antes de cambiar el disco o realizar tareas de mantenimiento.
- El pasador del retén, que bloquea el cabezal de corte en posición bajada, se utiliza únicamente para transportar la herramienta y guardarla, y no para las operaciones de corte.
- No utilice la herramienta donde haya líquidos o gases inflamables. El funcionamiento eléctrico de la herramienta puede provocar una explosión y un incendio cuando se expone a gases o líquidos inflamables.

28. Utilice solo las bridas especificadas para esta herramienta.
29. Asegúrese de no dañar el eje, las bridas (especialmente la superficie de instalación) o el perno. Si estas piezas resultan dañadas, se podría romper el disco.
30. Asegúrese de que la base giratoria esté bien sujeta de forma que no se mueva durante la operación.
31. Por su seguridad, retire las virutas y otras piezas pequeñas de la superficie de la mesa antes de utilizar la herramienta.
32. Evite cortar clavos. Antes de trabajar, inspeccione la pieza de trabajo y extraiga todos los clavos.
33. Antes de activar el interruptor, asegúrese de que el bloqueo del eje esté quitado.
34. Asegúrese de que el disco no entre en contacto con la base giratoria cuando esté en la posición más baja.
35. Sujete firmemente la empuñadura. Tenga en cuenta que la sierra se mueve un poco hacia arriba y hacia abajo durante el inicio y la parada.
36. Asegúrese de que la cuchilla no esté tocando la pieza de trabajo antes de activar el interruptor.
37. Antes de utilizar la herramienta en la pieza de trabajo definitiva, déjela funcionar durante un rato. Observe si se producen vibraciones o bamboleo que puedan indicar que el disco está mal instalado o mal equilibrado.
38. Espere a que la cuchilla adquiera velocidad plena antes de cortar.
39. Detenga la herramienta inmediatamente si observa alguna anomalía.
40. No intente bloquear el gatillo en la posición de encendido.
41. Esté siempre alerta, especialmente cuando realice operaciones monótonas y repetitivas. No se deje llevar por una falsa sensación de seguridad. Los discos de sierra nunca perdonan un descuido.
42. Utilice siempre los accesorios recomendados en este manual. El uso de accesorios inadecuados, como muelas abrasivas, puede ocasionar heridas.
43. Tenga cuidado cuando abra ranuras.
44. El polvo que se forma durante el uso contiene sustancias químicas que pueden provocar cáncer, anomalías congénitas u otros daños reproductivos. Algunas de estas sustancias químicas son:
 - plomo de materiales pintados que contengan plomo
 - arsénico y cromo de madera tratada químicamente.

El riesgo de exposición varía en función de la frecuencia con la que realice este tipo de trabajo. Para reducir su exposición a estas sustancias químicas: trabaje en zonas bien ventiladas y con el equipo de seguridad aprobado como, por ejemplo, las mascarillas contra el polvo especialmente diseñadas para filtrar partículas microscópicas.
45. Para reducir la emisión de ruido, asegúrese siempre de que el disco esté afilado y limpio.
46. El operario debe estar debidamente preparado para utilizar, ajustar y manejar la herramienta.

GUARDE ESTAS INSTRUCCIONES.

⚠ ADVERTENCIA:

NO deje que la comodidad o la familiaridad con el producto (a base de utilizarlo repetidamente) sustituyan la estricta observancia de las normas de seguridad del producto en cuestión. El MAL USO o la no observancia de las normas de seguridad expuestas en este manual de instrucciones pueden ocasionar graves daños corporales.

INSTALACIÓN (Fig. 1 y 2)

La herramienta se suministra con el mango bloqueado en la posición inferior por medio del pasador de tope. Afloje el tornillo con la llave suministrada con la herramienta y coloque la cabeza de la sierra en ángulo correcto. Extraiga el tornillo y sujete la cabeza de la sierra con el pomo.

Montaje de la placa auxiliar (Fig. 3)

Monte la placa auxiliar utilizando el orificio de la base de la herramienta y sujétela apretando el tornillo.

Montaje en el banco

La herramienta se suministra con el mango bloqueado en la posición inferior por medio del pasador de tope. Baje el mango levemente y tire del pasador de tope para soltarlo. (Fig. 4)

Esta herramienta debe atomillarse con cuatro pernos a una superficie nivelada y estable, utilizando para ello los orificios para pernos existentes en la base de la herramienta. De esta forma se evita que la herramienta pueda inclinarse y causar lesiones. (Fig. 5)

DESCRIPCIÓN DEL FUNCIONAMIENTO

PRECAUCIÓN:

- Asegúrese siempre de que la herramienta esté apagada y desenchufada antes de intentar realizar cualquier tipo de ajuste o comprobación en ella.

Protector de la hoja (Fig. 6)

Cuando se baja el mango, el protector de la hoja se eleva automáticamente. El protector incluye un muelle que permite que vuelva a su posición original cuando se finaliza el corte y se eleva el mango. **NO FUERCE NUNCA NI RETIRE EL PROTECTOR DE LA HOJA NI EL MUELLE QUE SUJETA EL PROTECTOR.**

Por su propia seguridad, mantenga siempre el protector de la hoja en perfectas condiciones. Cualquier manejo irregular del protector de la hoja debe corregirse inmediatamente. Compruebe que el muelle funciona perfectamente y que el protector vuelve a su posición. **NO UTILICE NUNCA LA HERRAMIENTA SI EL PROTECTOR DE LA HOJA O EL MUELLE ESTÁ DAÑADO, DEFECTUOSO O FUERA DE SITIO. SU USO EN TALES CONDICIONES PUEDE SER MUY PELIGROSO Y PUEDE PROVOCAR GRAVES LESIONES PERSONALES.**

Si se ensucia el protector de la hoja transparente o si se adhiere polvo de sierra de forma que la hoja ya no pueda verse, desconecte la sierra y limpie el protector

cuidadosamente con un paño húmedo. No utilice disolventes ni limpiadores basados en petróleo para limpiar el protector de plástico. Si se ensucia el protector de la hoja transparente o si se adhiere polvo de sierra de forma que la hoja o la pieza de trabajo ya no puedan verse, desconecte la sierra y limpie el protector cuidadosamente con un paño húmedo. No utilice disolventes ni limpiadores basados en petróleo para limpiar el protector de plástico.

Si el protector de la hoja está especialmente sucio y resulta difícil ver a través de él, utilice la llave suministrada para aflojar el perno de cabeza hexagonal que sujeta la cubierta central. Para aflojar el perno de cabeza hexagonal, gírelo en sentido contrario a las agujas del reloj y eleve el protector de la hoja y la cubierta central. Con el protector de la hoja en esta posición, resulta más fácil limpiarlo por completo. Una vez finalizada la limpieza, invierta el procedimiento anterior y apriete el perno. No retire el muelle que sujeta el protector de la hoja. Si el protector sufre una decoloración con el tiempo o con la exposición a los rayos ultravioleta, póngase en contacto con un centro de servicio técnico de Makita para recibir un nuevo protector. **NO FUERCE NI RETIRE EL PROTECTOR. (Fig. 7)**

Tablero de corte (Fig. 8)

Esta herramienta se presenta con el tablero de corte en la base giratoria para reducir al mínimo los desgarros en el lado de salida de un corte. Si el tablero de corte no incluye una ranura de corte de fábrica, debería cortar la ranura antes de utilizar la herramienta para cortar una pieza de trabajo. Encienda la herramienta y baje suavemente la hoja para cortar una ranura en el tablero de corte.

Mantenimiento de la capacidad máxima de corte

El ajuste de fábrica de esta herramienta proporciona la capacidad máxima de corte para una hoja de sierra de 255 mm.

Cuando instale una hoja nueva, compruebe siempre la posición del límite inferior de la hoja y, si es necesario, ajústela del siguiente modo:

En primer lugar, desenchufe la herramienta. Baje el mango completamente. Con la ayuda de la llave, gire el perno de ajuste hasta que la periferia de la hoja sobresalga ligeramente por debajo de la superficie superior de la base giratoria en el punto donde el lado frontal del tope de guía se junta con la superficie superior de la base giratoria. (Fig. 9)

Con la herramienta desenchufada, gire la hoja con la mano mientras sujeta el mango abajo del todo para asegurarse de que la hoja no entra en contacto con ninguna parte de la base inferior. Si es necesario, reajústela ligeramente. (Fig. 10)

PRECAUCIÓN:

- Cuando instale una nueva hoja, compruebe siempre que la hoja no entra en contacto con ninguna parte de la base inferior cuando el mango está completamente abajo. Realice siempre esta operación con la herramienta desenchufada.

Ajuste del ángulo de inglete (Fig. 11)

Añoje la empuñadura girándola en sentido contrario a las agujas del reloj. Gire la base giratoria mientras empuja

hacia abajo la palanca de bloqueo. Cuando haya movido la empuñadura hasta la posición en la que el puntero señala el ángulo deseado en la escala de inglete, gire la empuñadura en sentido de las agujas del reloj para apretarla firmemente.

PRECAUCIÓN:

- Cuando gire la base giratoria, asegúrese de elevar completamente el mango.
- Después de cambiar el ángulo de inglete, apriete siempre firmemente la empuñadura para fijar la base giratoria.

Ajuste del ángulo de bisel (Fig. 12 y 13)

Para ajustar el ángulo de bisel, afloje el pomo situado en la parte posterior de la herramienta en el sentido contrario a las agujas del reloj.

Empuje el mango hacia la izquierda para inclinar la hoja de la sierra hasta que el puntero quede alineado con el ángulo deseado en la escala de biselado.

A continuación, apriete el pomo en el sentido de las agujas del reloj para fijar firmemente el brazo.

PRECAUCIÓN:

- Cuando incline la hoja de la sierra, asegúrese de elevar completamente el mango.
- Una vez cambiado el ángulo de bisel, sujete siempre el brazo apretando el pomo en el sentido de las agujas del reloj.

Acción del interruptor

PRECAUCIÓN:

- Antes de enchufar la herramienta, asegúrese siempre de que el interruptor disparador funcione como es debido y de que vuelva a la posición "OFF" (apagado) al soltarlo.

Para los países europeos (Fig. 14)

Para poner en marcha la herramienta, empuje la palanca hacia la derecha y tire del interruptor disparador. Suelte el interruptor disparador para detener la herramienta.

Para todos los países excepto los países europeos (Fig. 15)

Para poner en marcha la herramienta, simplemente accione el interruptor disparador. Suelte el interruptor disparador para detener la herramienta.

ADVERTENCIA:

- **NUNCA** utilice la herramienta sin un interruptor disparador totalmente operativo. Cualquier herramienta con un interruptor que no funcione es **MUY PELIGROSA** y debe repararse para que se pueda utilizar.

MONTAJE

PRECAUCIÓN:

- Asegúrese siempre de que la herramienta esté apagada y desenchufada antes de intentar realizar cualquier trabajo en ella.

Instalación o extracción de la hoja de sierra

PRECAUCIÓN:

- Asegúrese siempre de que la herramienta esté apagada y desenchufada antes de instalar o extraer la hoja.
- Utilice sólo la llave de Makita suministrada para instalar o extraer la hoja. De lo contrario, podría apretar demasiado o de forma insuficiente el perno de cabeza hexagonal y provocar lesiones.

Al extraer o instalar la hoja, mantenga el mango levantado. (Fig. 16)

Para extraer la hoja, utilice la llave para aflojar el perno de cabeza hexagonal que sujeta la cubierta central, girándolo en sentido contrario a las agujas del reloj. Suba el protector de la hoja y la cubierta central. (Fig. 17)

Presione el bloqueo del eje para bloquear el husillo y utilice la llave para aflojar el perno hexagonal, girándolo en el sentido de las agujas del reloj. A continuación, extraiga el perno hexagonal, la brida exterior y la hoja. (Fig. 18)

Para instalar la hoja, móntela con cuidado en el husillo comprobando que la dirección de la flecha en la superficie de la hoja coincide con la dirección de la flecha en la carcasa de la hoja. Instale la brida exterior y el perno hexagonal y, a continuación, utilice la llave para apretar firmemente el perno hexagonal en el sentido de las agujas del reloj (con la mano izquierda) mientras presiona el bloqueo del eje. (Fig. 19 y 20)

PRECAUCIÓN:

- El anillo de 25,4 mm o 30 mm del diámetro exterior viene instalado de fábrica en el husillo. Antes de montar la hoja en el husillo, compruebe que el anillo correcto del orificio para el eje de la hoja que va a utilizar esté instalado en el husillo.

Instale la brida exterior y el perno hexagonal y, a continuación, utilice la llave para apretar firmemente el perno hexagonal en el sentido de las agujas del reloj (con la mano izquierda) mientras presiona el bloqueo del eje.

Coloque el protector de sierra y la cubierta central en su posición original. A continuación, apriete el perno de cabeza hexagonal girándolo en sentido de las agujas del reloj para fijar la cubierta central. Baje el mango para asegurarse de que el protector de la hoja se mueve correctamente. Asegúrese de que el bloqueo del eje ha soltado el husillo antes de realizar el corte.

Guía auxiliar (solo para países europeos) (Fig. 21)

Esta herramienta está equipada con una guía auxiliar. Normalmente debe colocar la guía auxiliar dentro. No obstante, cuando realice cortes en bisel a la izquierda, debe voltearla hacia fuera.

⚠ PRECAUCIÓN:

- Cuando realice cortes en bisel a la izquierda, voltee la guía auxiliar hacia fuera. De lo contrario, tocará el disco o alguna parte de la herramienta, pudiendo ocasionar heridas graves al operador.

Bolsa colectora de polvo (Fig. 22 y 23)

El uso de la bolsa colectora de polvo ayuda a mantener la limpieza en las operaciones de corte y facilita la recolección del polvo. Para instalar la bolsa colectora de polvo, ajústela en la boquilla de polvo.

Cuando la bolsa colectora de polvo está medio llena, extraígalas de la herramienta y tire del cierre. Vacíe la bolsa colectora de polvo y golpéela ligeramente para retirar las partículas adheridas al interior que podrían dificultar la posterior recolección.

NOTA:

Si conecta un aspirador Makita a la sierra, obtendrá una limpieza más eficaz.

Fijación de la pieza de trabajo

ADVERTENCIA:

- Es muy importante fijar siempre la pieza de trabajo correcta y firmemente con la ayuda de la prensa de tornillo. De lo contrario, la herramienta podría dañarse y/o la pieza de trabajo podría destruirse. TAMBIÉN PODRÍA PROVOCAR LESIONES. Tras realizar una operación de corte, NO levante la hoja hasta que se haya detenido completamente.

PRECAUCIÓN:

- Cuando corte piezas de trabajo largas, utilice soportes de una altura equivalente al nivel de la superficie superior de la base giratoria. No confíe únicamente en la prensa de tornillo vertical y/o horizontal para fijar la pieza de trabajo. Los materiales finos tienden a hundirse. Apoye la pieza de trabajo en toda su longitud para evitar el pinzamiento de la hoja y un posible RETROCESO. (Fig. 24)

Prensa de tornillo vertical (Fig. 25)

La prensa de tornillo vertical se puede instalar en dos posiciones, a la izquierda o a la derecha del tope de guía. Inserte la barra de la prensa de tornillo en el tope de guía y apriete el tornillo para sujetarla.

Coloque el brazo de la prensa de tornillo en función del grosor y la forma de la pieza de trabajo y sujételo apretando el tornillo. Asegúrese de que ninguna parte de la herramienta entre en contacto con la prensa de tornillo al bajar por completo el mango. Si eso ocurre, cambie de posición la prensa de tornillo.

Presione la pieza de trabajo horizontalmente hacia el tope guía y la base giratoria. Sitúe la pieza de trabajo en la posición de corte que desee y sujétela firmemente apretando el pomo de la prensa de tornillo.

PRECAUCIÓN:

- La pieza de trabajo debe estar sujeta firmemente contra la base giratoria y el tope de guía con la prensa de tornillo durante todas las operaciones.

MANEJO (Fig. 26)

PRECAUCIÓN:

- Antes de utilizar la herramienta, suelte el mango desde la posición inferior tirando del pasador de tope.
- Asegúrese de que la hoja no esté tocando la pieza de trabajo antes de activar el interruptor.
- No aplique una presión excesiva sobre el mango durante el corte. Si hace demasiada fuerza, puede

sobrecargar el motor y/o disminuir la eficacia de corte. Presione el mango hacia abajo únicamente con la fuerza necesaria para realizar un corte suave sin reducir demasiado la velocidad de la hoja.

- Presione suavemente el mango hacia abajo para realizar el corte. Si presiona el mango con fuerza o aplica una fuerza lateral, la hoja vibrará y dejará una marca de sierra en la pieza de trabajo, y el corte podría no ser tan preciso.

1. Corte presionando (Fig. 27)

Fije la pieza de trabajo con la prensa de tornillo. Encienda la herramienta sin que la hoja entre en contacto con ninguna pieza y espere hasta que la pieza alcance la velocidad máxima para bajarla. A continuación, baje suavemente el mango hasta su posición inferior para cortar la pieza de trabajo. Una vez realizado el corte, apague la herramienta y ESPERE HASTA QUE LA HOJA SE HAYA DETENIDO COMPLETAMENTE antes de volver a levantarla hasta su posición más alta.

2. Corte a inglete

Consulte el apartado anterior "Ajuste del ángulo de inglete".

3. Corte en bisel (Fig. 28)

Afloje el pomo e incline la hoja de la sierra para ajustar el ángulo de bisel (consulte el apartado anterior "Ajuste del ángulo de bisel"). Vuelva a apretar firmemente el pomo para fijar con seguridad el ángulo de bisel seleccionado. Fije la pieza de trabajo con la prensa de tornillo. Encienda la herramienta sin que la hoja entre en contacto con ninguna pieza y espere hasta que la hoja alcance la velocidad máxima. A continuación baje el mango completamente con suavidad a la vez que aplica presión paralela a la hoja. Una vez realizado el corte, apague la herramienta y ESPERE HASTA QUE LA HOJA SE HAYA DETENIDO COMPLETAMENTE antes de volver a levantarla hasta su posición más alta.

PRECAUCIÓN:

- Compruebe siempre que la hoja se desplace hacia abajo en la dirección de bisel durante un corte en bisel. Mantenga las manos alejadas de la trayectoria de la hoja de sierra.
- Durante el corte en bisel, puede crearse una condición en la que la pieza cortada quede inmóvil contra la cara de la hoja. Si se eleva la hoja cuando todavía está girando, esta pieza podría quedarse atrapada por la hoja y producir fragmentos que saldrían despedidos, lo cual es peligroso. La hoja se deberá elevar SOLAMENTE después de que se haya parado completamente.
- Cuando presione hacia abajo el mango, aplique fuerza paralela a la hoja. Si la fuerza no se aplica en paralelo a la hoja durante el corte, puede que se modifique el ángulo de la hoja, por lo que la precisión de corte se deteriorará.
- (Solo para países europeos) coloque siempre la guía auxiliar fuera cuando realice cortes en bisel a la izquierda.

4. Corte compuesto

El corte compuesto es el procedimiento en el cual se realiza un corte en bisel al mismo tiempo que se está realizando un corte en ángulo de inglete en la pieza

de trabajo. El corte compuesto puede realizarse con los ángulos mostrados en la tabla siguiente.

Ángulo de bisel	Ángulo de inglete
45°	Izquierdo y derecho 0° - 45°

006366

Cuando realice cortes compuestos, consulte las explicaciones de los apartados "Corte presionando", "Corte a inglete" y "Corte en bisel".

5. Corte de extrusión de aluminio (Fig. 29)

Cuando fije extrusiones de aluminio, utilice bloques separadores o piezas de desecho, como las que se muestran en la figura, para evitar la deformación del aluminio. Utilice un lubricante de corte para cortar la extrusión de aluminio con el fin de evitar la acumulación de material de aluminio en la hoja.

PRECAUCIÓN:

- No intente nunca cortar extrusiones de aluminio gruesas o redondas. Las extrusiones de aluminio gruesas pueden soltarse durante el uso de la herramienta y las extrusiones de aluminio redondas no pueden fijarse firmemente con esta herramienta.

6. Revestimientos de madera

El uso de revestimientos de madera ayuda a realizar el corte de la pieza de trabajo sin formar astillas. Acople un revestimiento de madera al tope de guía utilizando los orificios del tope de guía. Consulte la figura donde se muestran las dimensiones para el revestimiento de madera sugerido. (Fig. 30)

PRECAUCIÓN:

- Utilice madera recta de grosor parejo como revestimiento.
 - Utilice tornillos para acoplar el revestimiento de madera al tope de guía. Estos tornillos deben colocarse de tal manera que las cabezas queden por debajo de la superficie del revestimiento de madera.
 - Una vez que el revestimiento de madera esté colocado, no gire la base giratoria si el mango está abajo. Si lo hace, la hoja y/o el revestimiento de madera podrían dañarse.
 - La anchura máxima de corte quedará reducida por la anchura del revestimiento de madera.
- #### 7. Corte de piezas de la misma longitud (Fig. 31)
- Cuando se cortan varias piezas del mismo largo, entre 240 mm y 380 mm, el uso de la placa de ajuste (accesorio opcional) facilitará la operación. Instale la placa de ajuste en el soporte (accesorio opcional) tal y como se muestra en la figura. Mantenga la línea de corte de la pieza de trabajo alineada con el lado derecho o izquierdo de la ranura en el tablero de corte y, mientras sujeta la pieza de trabajo para evitar que se mueva, mueva la placa de ajuste al mismo nivel que el extremo de la pieza de trabajo. A continuación, fije la placa de ajuste con el tornillo. Cuando no utilice la placa de ajuste, afloje el tornillo y gire la placa de ajuste para dejarla a un lado.

Transporte de la herramienta (Fig. 32)

Asegúrese de que la herramienta esté desenchufada. Fije la hoja en un ángulo de bisel de 0° y la base giratoria en un ángulo de inglete totalmente a la izquierda. Baje el

mango completamente para bloquearlo en la posición bajada empujando el pasador de tope. Coja la máquina sujetándola por la empuñadura de transporte tal como se muestra en la figura. Si extrae los soportes, la bolsa colectora de polvo, etc., podrá transportarla con más facilidad. (Fig. 33)

PRECAUCIÓN:

- Fije siempre todas las partes móviles antes de transportar la herramienta.
- El pasador de tope se utiliza únicamente para transportar la herramienta y guardarla, y no durante las operaciones de corte.

MANTENIMIENTO

PRECAUCIÓN:

- Asegúrese siempre de que la herramienta esté apagada y desenchufada antes de intentar realizar cualquier trabajo de inspección o mantenimiento en ella.
- Nunca utilice gasolina, benceno, disolvente, alcohol o un producto similar. Se puede provocar una decoloración, una deformación o grietas.

ADVERTENCIA:

- Asegúrese siempre de que la hoja esté afilada y limpia a fin de trabajar de una manera más eficiente y segura.

Ajuste del ángulo de corte

Esta herramienta se suministra cuidadosamente ajustada y alineada de fábrica pero una manipulación descuidada puede afectar a la alineación. Si su herramienta no está correctamente alineada, realice lo siguiente:

1. Ángulo de inglete (Fig. 34)

Afloje la empuñadura que fija la base giratoria. Gire la base giratoria de modo que el puntero señale 0° en la escala de inglete. Sujete la empuñadura y afloje los pernos hexagonales que sujetan el tope de guía con la ayuda de la llave. Si el puntero no indica 0° en la escala de inglete, afloje el tornillo que sujeta el puntero, modifique su posición y vuelva a sujetarlo para que indique 0°.

Baje el mango completamente para bloquearlo en la posición bajada empujando el pasador de tope. Cuadre el lado de la hoja con la cara del tope de guía utilizando una escuadra o similar. Luego ajuste bien los pernos de cabeza hexagonal en el tope de guía comenzando por el lado derecho. (Fig. 35)

2. Ángulo de bisel

(1) Ángulo de bisel de 0° (Fig. 36)

Baje el mango completamente para bloquearlo en la posición bajada empujando el pasador de tope. Afloje el pomo situado en la parte posterior de la herramienta. Afloje la tuerca hexagonal y gire el perno de ajuste del ángulo de bisel de 0° situado en el lado derecho de la base giratoria dos o tres vueltas en el sentido de las agujas del reloj para inclinar la hoja hacia la derecha. Encuadre cuidadosamente la cara de la hoja con la superficie superior de la base giratoria usando una escuadra, cartabón, etc. girando el perno de ajuste del ángulo de bisel de 0° en el sentido contrario a las agujas del reloj. Luego apriete la tuerca hexagonal para sujetar el perno de ajuste del ángulo de bisel de 0° y apriete el pomo firmemente.

Cerciórese de que el puntero del brazo indique 0° en la escala de biselado. Si el puntero no indica 0° en la escala de biselado, afloje el tornillo que sujeta el puntero, modifique su posición y vuelva a sujetarlo para que indique 0°. (Fig. 37 y 38)

(2) Ángulo de bisel de 45° (Fig. 39)

Ajuste el ángulo de bisel de 45° sólo después de haber realizado el ajuste del ángulo de bisel de 0°. Para ajustar el ángulo de bisel izquierdo de 45°, afloje el pomo e incline la hoja totalmente hacia la izquierda. Cerciórese de que el puntero del brazo indique 45° en la escala de biselado. Si no indica 45°, gire el perno de ajuste del ángulo de bisel de 45° del lado izquierdo del brazo hasta que el puntero indique 45°.

Reemplazo de las escobillas de carbón (Fig. 40)

Extraiga y compruebe las escobillas de carbón regularmente. Reemplácelas cuando se gasten hasta una longitud de 3 mm. Mantenga las escobillas de carbón limpias y de forma que entren libremente en los portaescobillas. Ambas escobillas de carbón deberán ser reemplazadas al mismo tiempo. Utilice únicamente escobillas de carbón idénticas.

Utilice un destornillador para extraer las tapas de los portaescobillas. Saque las escobillas de carbón desgastadas, inserte las nuevas y cierre las tapas de los portaescobillas. (Fig. 41)

Después del uso

- Después de utilizar la herramienta, limpie los restos de astillas y polvo con un paño o similar. Mantenga el protector de la hoja limpio según lo descrito en las instrucciones proporcionadas en el apartado "Protector de la hoja". Lubrique las partes deslizantes con aceite para máquinas para evitar que se oxiden.

Para conservar la SEGURIDAD y la FIABILIDAD del producto, los trabajos de reparación y otros trabajos de mantenimiento y ajuste deberán ser realizados en centros de servicio autorizados de Makita, utilizando siempre repuestos Makita.

Ruido

ENG905-1

Niveles típicos de ruido ponderado A determinados conforme a EN61029:

Nivel de presión de sonido (L_{pA}): 92 dB (A)

Nivel de potencia de sonido (L_{WA}): 105 dB (A)

Incertidumbre (K): 3 dB (A)

Utilice protección para los oídos.

Solo para países europeos

ENH003-15

Declaración de conformidad de la CE

Makita declara que las siguientes máquinas:

Designación de la máquina:

Sierra de Inglete

Nº de modelo/Tipo: MLS100

Cumplen con las siguientes Directivas europeas:

2006/42/CE

Se han fabricado de acuerdo con los siguientes estándares o documentos estandarizados:

EN61029

El archivo técnico de acuerdo con 2006/42/CE está disponible en:

Makita, Jan-Baptist Vinkstraat 2, 3070, Bélgica

30. 5. 2014

A handwritten signature in black ink, appearing to read 'Yasushi Fukaya'.

Yasushi Fukaya

Director

Makita, Jan-Baptist Vinkstraat 2, 3070, Bélgica

PORTUGUÊS (Instruções de origem)

Descrição geral

- | | | |
|------------------------------------------|------------------------|-------------------------------------------------|
| 1. Chave | 18. Gatilho | 36. Torno vertical |
| 2. Manipulo | 19. Cobertura central | 37. Torno |
| 3. Chapa auxiliar | 20. Parafuso sextavado | 38. Bloco espaçador |
| 4. Parafuso | 21. Caixa da lâmina | 39. Perfil de alumínio |
| 5. Base | 22. Seta | 40. Bloco espaçador |
| 6. Pino batente | 23. Lâmina da serra | 41. Mais de 10 mm |
| 7. Parafuso | 24. Fuso | 42. Mais de 460 mm |
| 8. Protecção da lâmina | 25. Flange | 43. Orifício |
| 9. Placa de corte | 26. Anel | 44. Chapa de acerto |
| 10. Parafuso de ajuste | 27. Sub-vedação | 45. Suporte |
| 11. Superfície superior da base rotativa | 28. Saco de pó | 46. Pino batente |
| 12. Periferia da lâmina | 29. Fixador | 47. Guia triangular |
| 13. Vedação de guia | 30. Suporte | 48. Parafuso de ajuste a 0° |
| 14. Alavanca de bloqueio | 31. Base rotativa | 49. Parafuso de ajuste do ângulo de bisel a 45° |
| 15. Pega | 32. Manipulo do torno | 50. Tampa do porta-escovas |
| 16. Ponteiro | 33. Parafuso | 51. Chave de parafusos |
| 17. Alavanca | 34. Braço do torno | |
| | 35. Haste do torno | |

ESPECIFICAÇÕES

Modelo	MLS100
Diâmetro da lâmina	255 mm
Espessura do corpo da lâmina	1,6 mm - 2,4 mm
Diâmetro do orifício	
Para todos os países não europeus	25,4 mm
Para os países europeus	30 mm
Capacidades máximas de corte (A x L) com uma lâmina de 255 mm de diâmetro	

Ângulo de bisel	Ângulo de corte angular	
	0°	45° (à esquerda e direita)
0°	75 mm x 130 mm	75 mm x 90 mm
45° (à esquerda)	48 mm x 120 mm	48 mm x 90 mm

Velocidade de rotação sem carga (min. ⁻¹)	4.200
Dimensões (C x A x L)	610 mm x 485 mm x 515 mm
Peso líquido	14,7 kg
Classe de segurança	II

- Devido à pesquisa e desenvolvimento constantes, estas especificações estão sujeitas a alteração sem aviso prévio.
- Estas especificações podem diferir de país para país.
- Peso de acordo com procedimento EPTA de 01/2003

Símbolos

END217-5

Descrição dos símbolos utilizados no equipamento.

Certifique-se de que compreende o seu significado, antes da utilização.



..... Leia o manual de instruções.



..... BLINDAGEM DUPLA



..... Para evitar ferimentos resultantes da projecção de resíduos, após a realização do corte mantenha a cabeça da serra para baixo até a lâmina parar completamente.



..... Não aproxime as mãos nem os dedos da lâmina.



..... Para sua segurança, retire as farpas, peças pequenas, etc. de cima da mesa antes de começar a utilizar a ferramenta.



..... Coloque sempre a SUB-VEDAÇÃO no lado esquerdo ao realizar cortes em bisel para o lado esquerdo. O não cumprimento destas instruções poderá resultar em causar ferimentos graves no operador.



..... Para desapertar o parafuso, rode-o para a direita.



..... Apenas para países da UE
Não deite equipamentos eléctricos no lixo doméstico!
De acordo com a directiva europeia sobre ferramentas eléctricas e

electrónicas usadas e a sua aplicação em conformidade com as leis nacionais, as ferramentas eléctricas usadas devem ser recolhidas em separado e encaminhadas para uma instalação de reciclagem dos materiais ecológicos.

Utilização prevista ENE004-1

A ferramenta destina-se à realização de cortes precisos a direito e em ângulo. Através da colocação de lâminas adequadas, também pode cortar alumínio.

Fonte de alimentação ENF002-2

A ferramenta apenas deve ser ligada a uma fonte de alimentação da mesma tensão que a indicada na chapa de especificações, e apenas pode funcionar com uma alimentação CA monofásica. Estão blindadas duplamente e podem, assim, ser igualmente ligadas a tomadas sem fio terra.

Avisos gerais de segurança para ferramentas eléctricas GEA010-1

⚠ AVISO Leia todos os avisos de segurança e todas as instruções. O não cumprimento dos avisos e instruções pode resultar na ocorrência de choques eléctricos, incêndios e/ou ferimentos graves.

Guarde todos os avisos e instruções para referência futura.

AVISOS DE SEGURANÇA PARA A SERRA DE ESQUADRIA ENB034-8

1. Mantenha as mãos afastadas do percurso da lâmina. Evite o contacto com qualquer lâmina em abrandamento. Ainda pode provocar ferimentos graves.
2. Verifique cuidadosamente se a lâmina da serra apresenta fissuras ou deformações antes de utilizar. Substitua imediatamente as lâminas danificadas.
3. Substitua a placa de corte assim que estiver gasta.
4. Utilize apenas lâminas de serra especificadas pelo fabricante e em conformidade com EN847-1.
5. Não utilize lâminas fabricadas em aço para altas velocidades.
6. Utilize protecção para os olhos.
7. Use protecção auditiva para reduzir o risco de perda de audição.
8. Use luvas para manusear a lâmina de serra (sempre que possível, as lâminas de serra deverão ser transportadas num suporte) e material pesado.
9. Ligue as serras de esquadria a um dispositivo de recolha de pó enquanto estiver a serrar.
10. Selecione as lâminas tendo em conta o material a cortar.
11. Não utilize a serra para cortar outros materiais para além de madeira, alumínio ou outros semelhantes.
12. Fixe sempre todas as peças móveis antes de transportar a ferramenta. Ao levantar ou

transportar a ferramenta, não utilize o resguardo como pega de transporte.

13. Não utilize a serra sem os resguardos colocados. Verifique se o resguardo da lâmina fecha correctamente antes de cada utilização. Não accione a serra se o resguardo da lâmina não se mover livremente e não se fechar imediatamente. Nunca prenda nem amarre a protecção da lâmina na posição aberta.
14. Mantenha o solo livre de materiais soltos, por exemplo, aparas e resíduos.
15. Utilize apenas lâminas de serra assinaladas com uma velocidade máxima igual ou superior à velocidade sem carga assinalada na ferramenta.
16. Quando a ferramenta está equipada com um laser ou LED, não substitua o laser ou LED por um de tipo diferente. Solicite um centro de assistência autorizado que efectue a reparação.
17. Nunca retire resíduos ou outras partes da peça de trabalho da área de corte enquanto a ferramenta está em funcionamento com uma lâmina de serra sem resguardo.
18. Não efectue qualquer operação à mão livre. A peça de trabalho deve estar firmemente fixa à base rotativa e à vedação de guia com o torno durante todas as operações. Nunca segure a peça de trabalho com a sua mão.
19. Certifique-se de que a ferramenta está estável antes de cada corte.
20. Fixe a ferramenta numa bancada, se necessário.
21. Fixe as peças de trabalho longas com apoios adicionais adequados.
22. Nunca corte peças de trabalho pequenas que não podem ser devidamente fixas com o torno. Uma peça de trabalho mal fixa pode causar recuos e ferimentos pessoais graves.
23. Nunca coloque as mãos ou braços próximos da lâmina para alcançar alguma coisa.
24. Desligue a ferramenta e aguarde que a lâmina pare antes de deslocar a peça de trabalho ou alterar definições.
25. Desligue a ferramenta da tomada antes de mudar a lâmina ou efectuar qualquer tipo de manutenção.
26. O pino batente que bloqueia a cabeça de corte em baixo destina-se apenas a fins de transporte e armazenamento e não para quaisquer operações de corte.
27. Não utilize a ferramenta na presença de líquidos ou gases inflamáveis. A utilização eléctrica da ferramenta pode criar uma explosão e incêndio quando exposta a líquidos ou gases inflamáveis.
28. Utilize apenas as flanges especificadas para esta ferramenta.
29. Tenha cuidado para não danificar o mandril, as flanges (especialmente a superfície de instalação) ou o parafuso. Os danos nestas peças podem resultar em quebra da lâmina.
30. Certifique-se de que a base rotativa está devidamente fixa para que não se desloque durante a utilização da ferramenta.
31. Para sua segurança, retire as farpas, peças pequenas, etc., de cima da mesa antes de começar a utilizar a ferramenta.

32. Evite cortar pregos. Verifique a existência e retire todos os pregos da peça de trabalho, antes de utilizar.
33. Certifique-se de que o bloqueio do veio foi libertado antes de ligar o interruptor.
34. Certifique-se de que a lâmina não toca na base rotativa na posição mais baixa.
35. Segure bem na alavanca. Tenha atenção que a serra desloca-se ligeiramente para cima ou para baixo durante o arranque e paragem.
36. Certifique-se de que a lâmina não está em contacto com a peça de trabalho antes de ligar o interruptor.
37. Antes de utilizar a ferramenta numa peça de trabalho, deixe-a a trabalhar durante algum tempo. Procure a existência de vibrações ou abanamentos que possam indicar uma má fixação ou uma lâmina mal equilibrada.
38. Aguarde até que a lâmina atinja a velocidade máxima antes de cortar.
39. Interrompa imediatamente a utilização da ferramenta caso note algo de anormal.
40. Não tente bloquear o gatilho na posição ligada.
41. Mantenha-se sempre alerta, principalmente durante operações repetitivas e monótonas. Não se deixe levar por uma falsa sensação de segurança. As lâminas são implacáveis.
42. Utilize sempre os acessórios recomendados neste manual. A utilização de acessórios inadequados como, por exemplo, rodas abrasivas, pode causar ferimentos.
43. Tenha cuidado durante a criação de ranhuras na peça.
44. O pó resultante de determinadas operações contém químicos conhecidos como causadores de cancro, defeitos congénitos e outros efeitos negativos ao nível da reprodução. Seguem-se alguns exemplos desses químicos:
 - chumbo de materiais pintados com tinta à base de chumbo e,
 - arsénico e crómio de madeira tratada quimicamente.

O risco resultante da exposição a estes químicos varia, dependendo do número de vezes que faz este tipo de trabalho. Para reduzir a exposição a estes químicos: trabalhe numa área bem ventilada e utilizando equipamento de segurança aprovado como, por exemplo, máscaras para o pó especialmente concebidas para filtrar partículas microscópicas.
45. Para reduzir o nível de emissão de ruído, certifique-se sempre de que a lâmina está afiada e limpa.
46. O operador deverá ter formação adequada ao nível da utilização, ajuste e operação da máquina.

GUARDE ESTAS INSTRUÇÕES.

⚠ AVISO:

NÃO deixe que o conforto ou familiaridade com o produto (obtida de uma utilização regular) substituam um cumprimento severo das regras de segurança do produto em causa. Uma UTILIZAÇÃO INCORRECTA ou não cumprimento das regras de segurança

indicadas neste manual de instruções podem provocar ferimentos pessoais graves.

INSTALAÇÃO (Fig. 1 e 2)

A ferramenta é enviada com a alavanca bloqueada na posição descida pelo pino batente. Desaperte o parafuso com a chave fornecida com a ferramenta e desloque a cabeça da serra para o ângulo adequado. Retire o parafuso e fixe a cabeça da serra com o manipulo.

Instalar a chapa auxiliar (Fig. 3)

Instale a chapa auxiliar utilizando o orifício existente na base da ferramenta e fixe-a apertando o parafuso.

Montagem em bancada

A ferramenta é enviada com a alavanca bloqueada na posição descida pelo pino batente. Solte o pino batente descendo ligeiramente a manivela e puxando-o. (Fig. 4)

Esta ferramenta deve ser aparafusada com quatro parafusos sobre uma superfície nivelada e estável utilizando os orifícios que se encontram na base da mesma. Isto ajudará a evitar que a mesma se incline e possíveis ferimentos. (Fig. 5)

DESCRIÇÃO DO FUNCIONAMENTO

PRECAUÇÃO:

- Certifique-se sempre de que a ferramenta está desligada no interruptor e da tomada antes de proceder a ajustes ou testes à mesma.

Protecção da lâmina (Fig. 6)

Quando desce a alavanca, a protecção da lâmina sobe automaticamente. A protecção é accionada por mola pelo que regressa à posição inicial no final do corte, quando a alavanca é subida. NUNCA DESACTIVE NEM RETIRE A PROTECÇÃO DA LÂMINA NEM A MOLA FIXA À PROTECÇÃO.

No interesse da sua própria segurança, mantenha sempre a protecção da lâmina em bom estado. Qualquer operação irregular da protecção da lâmina deve ser imediatamente corrigida. Verifique a correcta acção de retorno por mola da protecção. NUNCA UTILIZE A FERRAMENTA CASO A PROTECÇÃO DA LÂMINA OU A MOLA ESTEJAM DANIFICADAS, APRESENTEM FALHAS OU TENHAM SIDO REMOVIDAS. O NÃO CUMPRIMENTO DESTA INSTRUÇÃO É MUITO PERIGOSO E PODE RESULTAR EM FERIMENTOS PESSOAIS GRAVES.

Se a protecção da lâmina transparente se sujar ou apresentar serrim de modo a impedir a visualização fácil da lâmina, desligue a serra da tomada e limpe cuidadosamente a protecção com um pano húmido. Não utilize solventes nem quaisquer agentes de limpeza à base de petróleo na protecção plástica. Se a protecção da lâmina transparente se sujar ou apresentar serrim de modo a impedir a visualização fácil da lâmina e/ou da peça de trabalho, desligue a serra da tomada e limpe cuidadosamente a protecção com um pano húmido. Não utilize solventes nem quaisquer agentes de limpeza à base de petróleo na protecção plástica.

Se a protecção da lâmina estiver muito suja e for impossível ver através da mesma, utilize a chave fornecida para desapertar o parafuso sextavado que segura a cobertura central. Desaperte o parafuso sextavado rodando-o para a esquerda e suba a protecção da lâmina e a cobertura central. Com a protecção da lâmina nesta posição é mais fácil limpar de modo eficiente e completo. No final da limpeza, inverta o procedimento acima e aperte o parafuso. Não retire a mola que segura a protecção da lâmina. Se a protecção ficar desbotada com a idade ou exposição aos raios UV, solicite uma nova protecção a um centro de assistência Makita. **NÃO DESACTIVE NEM RETIRE A PROTECÇÃO. (Fig. 7)**

Placa de corte (Fig. 8)

Esta ferramenta está equipada com uma placa de corte na base rotativa para minimizar o dilaceramento no lado de saída de um corte. Se a ranhura de corte não tiver sido cortada na placa de corte na fábrica, deverá cortar a ranhura antes de utilizar a ferramenta para cortar uma peça de trabalho. Ligue a ferramenta e desça suavemente a lâmina para cortar uma ranhura na placa de corte.

Manter a capacidade de corte máxima

Esta ferramenta foi ajustada de fábrica para facultar uma capacidade de corte máxima para uma lâmina de 255 mm.

Ao instalar uma nova lâmina, verifique sempre a posição do limite inferior da lâmina e, se necessário, ajuste-a como se segue:

Em primeiro lugar, desligue a ferramenta da tomada. Desça totalmente a alavanca. Utilize a chave para rodar o parafuso de ajuste até que a periferia da lâmina passe ligeiramente abaixo da superfície superior da base rotativa no ponto onde a face frontal da vedação de guia se encontra com a superfície superior da base rotativa. **(Fig. 9)**

Com a ferramenta desligada da tomada, rode a lâmina com a mão ao mesmo tempo que mantém a alavanca totalmente para baixo, para se certificar de que a lâmina não toca em nenhuma parte da base inferior. Se necessário volte a ajustar ligeiramente. **(Fig. 10)**

PRECAUÇÃO:

- Depois de instalar uma nova lâmina, certifique-se sempre de que a lâmina não toca em nenhuma parte da base inferior quando a alavanca é totalmente descida. Faça isto sempre com a ferramenta desligada da tomada.

Ajustar o ângulo de corte angular (Fig. 11)

Desaperte a pega rodando-a para a esquerda. Rode a base rotativa ao mesmo tempo que empurra a alavanca de bloqueio para baixo. Depois de ter deslocado a pega para a posição em que o ponteiro aponta para o ângulo pretendido na escala de corte angular, aperte firmemente a pega rodando-a para a direita.

PRECAUÇÃO:

- Antes de rodar a base rotativa, certifique-se de que levanta totalmente a alavanca.
- Depois de alterar o ângulo de corte angular, fixe sempre a base rotativa apertando firmemente a pega.

Ajustar o ângulo de bisel (Fig. 12 e 13)

Para ajustar o ângulo de bisel, desaperte o manípulo na parte de trás da ferramenta para a esquerda.

Empurre a alavanca para a esquerda para inclinar a lâmina até que o ponteiro aponte para o ângulo pretendido na escala de bisel.

De seguida, aperte firmemente o manípulo para a direita para fixar o braço.

PRECAUÇÃO:

- Antes de inclinar a lâmina, certifique-se de que levanta totalmente a alavanca.
- Depois de alterar o ângulo de bisel, fixe sempre o braço apertando o manípulo para a direita.

Ação do interruptor

PRECAUÇÃO:

- Antes de inserir a ficha da ferramenta na tomada, verifique se o gatilho está a funcionar correctamente e se volta à posição “OFF” quando o solta.

Para os países europeus (Fig. 14)

Para colocar a ferramenta em funcionamento, empurre a alavanca para a direita e puxe o gatilho. Para parar a ferramenta, solte o gatilho.

Para todos os países não europeus (Fig. 15)

Para colocar a ferramenta em funcionamento prima o gatilho. Para parar a ferramenta, solte o gatilho.

AVISO:

- NUNCA utilize a ferramenta sem um gatilho a funcionar correctamente. Qualquer ferramenta com um interruptor que não funcione correctamente é ALTAMENTE PERIGOSA e deve ser reparada antes de ser utilizada.

MONTAGEM

PRECAUÇÃO:

- Certifique-se sempre de que a ferramenta está desligada no interruptor e da tomada antes de efectuar qualquer trabalho na mesma.

Instalar ou remover a lâmina

PRECAUÇÃO:

- Certifique-se sempre de que a ferramenta está desligada e com a ficha desligada da tomada antes de instalar ou remover a lâmina.
- Utilize apenas a chave Makita fornecida para instalar ou remover a lâmina. Caso contrário, poderá apertar em demasia ou insuficientemente o parafuso sextavado. Isto poderá causar ferimentos.

Mantenha a alavanca na posição subida durante a remoção ou instalação da lâmina. **(Fig. 16)**

Para remover a lâmina, utilize a chave para desapertar o parafuso sextavado que fixa a cobertura central rodando-o para a esquerda. Eleve a protecção da lâmina e a cobertura central. **(Fig. 17)**

Prima o bloqueio do veio para bloquear o fuso e utilize a chave para desapertar o parafuso sextavado para a direita. De seguida, remova o parafuso sextavado, a flange exterior e a lâmina. **(Fig. 18)**

Para instalar a lâmina, monte-a cuidadosamente no fuso, certificando-se de que a direcção da seta na superfície da lâmina corresponde à direcção da seta na caixa da lâmina. Instale a flange exterior e o parafuso sextavado e, de seguida, utilize a chave para apertar o parafuso sextavado (lado esquerdo) firmemente para a esquerda ao mesmo tempo que pressiona o bloqueio do veio.

(Fig. 19 e 20)

PRECAUÇÃO:

- O anel com um diâmetro externo de 25,4 mm ou 30 mm é instalado de fábrica no fuso. Antes de montar a lâmina no fuso, certifique-se sempre que foi instalado no fuso o anel correcto para o orifício do mandril da lâmina que pretende utilizar.

Instale a flange exterior e o parafuso sextavado e, de seguida, utilize a chave para apertar o parafuso sextavado (lado esquerdo) firmemente para a esquerda ao mesmo tempo que pressiona o bloqueio do veio.

Volte a colocar a protecção da lâmina e a cobertura central na posição inicial. De seguida, aperte o parafuso sextavado para a direita para fixar a cobertura central. Desça a alavanca para se certificar de que a protecção da lâmina se desloca devidamente. Certifique-se de que o bloqueio do veio libertou o fuso antes de efectuar um corte.

Sub-vedação (apenas para países europeus) (Fig. 21)

Esta ferramenta está equipada com a sub-vedação. Normalmente, posicione a sub-vedação para dentro. No entanto, ao efectuar cortes em bisel à esquerda, vire para fora.

⚠ PRECAUÇÃO:

- Ao efectuar cortes em bisel à esquerda, vire a sub-vedação para fora. Caso contrário, irá entrar em contacto com a lâmina ou uma parte da ferramenta, causando possíveis ferimentos graves no operador.

Saco do pó (Fig. 22 e 23)

A utilização do saco do pó torna as operações de corte mais limpas e facilita a recolha do pó. Para fixar o saco do pó, encaixe-o no bico de pó.

Quando o saco do pó estiver meio cheio, retire-o saco da ferramenta e puxe o fixador para fora. Esvazie o saco do pó, batendo-lhe ligeiramente de forma a remover as partículas coladas ao interior, que poderão interferir nas recolhas posteriores.

NOTA:

Se ligar um aspirador Makita à sua serra, poderão ser efectuadas operações mais eficientes e mais limpas.

Fixar a peça de trabalho

AVISO:

- É extremamente importante fixar sempre a peça correcta e firmemente com o torno. O não cumprimento desta instrução poderá resultar em danos na ferramenta e/ou destruição da peça de trabalho. PODERÃO TAMBÉM OCORRER FERIMENTOS PESSOAIS. Além disso, após uma operação de corte, NÃO suba a lâmina até que esta tenha parado completamente.

PRECAUÇÃO:

- Ao cortar peças de trabalho compridas, utilize suportes que atinjam a altura da superfície superior da base rotativa. Não confie apenas no torno vertical e/ou torno horizontal para fixar a peça de trabalho.

O material fino tem tendência a abater. Apoie a peça de trabalho em todo o seu comprimento para evitar que a lâmina fique atracada e possível RECUO.

(Fig. 24)

Torno vertical (Fig. 25)

O torno vertical pode ser instalado em duas posições, no lado esquerdo ou direito da vedação de guia. Introduza a haste do torno no orifício existente na vedação de guia e aperte o parafuso para fixar a haste do torno.

Posicione o braço do torno em conformidade com a espessura e a forma da peça de trabalho e fixe o braço do torno apertando o parafuso. Certifique-se de que nenhuma parte da ferramenta toda no torno quando desce totalmente a alavanca. Caso exista contacto entre as duas peças, reposicione o torno.

Encoste a peça de trabalho totalmente à vedação de guia e à base rotativa. Posicione a peça de trabalho na posição de corte pretendida e fixe-a firmemente apertando o manípulo do torno.

PRECAUÇÃO:

- A peça de trabalho deve estar firmemente fixa à base rotativa e à vedação de guia com o torno durante todas as operações.

FUNCIONAMENTO (Fig. 26)

PRECAUÇÃO:

- Antes de utilizar, não se esqueça de libertar a alavanca da posição descida puxando o pino batente.
- Certifique-se de que a lâmina não está em contacto com a peça de trabalho, etc. antes de ligar o interruptor.
- Não exerça pressão excessiva sobre a alavanca durante o corte. Demasiada força poderá resultar em sobrecarga do motor e/ou redução da eficiência de corte. Empurre a alavanca para baixo apenas exercendo a força necessária para efectuar um corte suave e sem redução significativa da velocidade da lâmina.
- Empurre suavemente a alavanca para baixo para efectuar o corte. Se a alavanca for empurrada com força ou se for aplicada força lateral, a lâmina irá vibrar e deixar uma marca (marca da serra) na peça de trabalho e a precisão do corte será negativamente afectada.

1. Corte de pressão (Fig. 27)

Fixe a peça de trabalho com o torno. Ligue a ferramenta sem que a lâmina toque na peça de trabalho e aguarde até esta atinja a velocidade máxima antes de a descer. Desça lentamente a alavanca até à posição totalmente descida para cortar a peça de trabalho. No final do corte, desligue a ferramenta e AGUARDE ATÉ A LÂMINA PARAR TOTALMENTE antes de recolocar a lâmina na posição totalmente elevada.

2. Corte angular

Consulte a secção “Ajustar o ângulo de corte angular”.

3. Corte em bisel (Fig. 28)

Desaperte o manípulo e incline a lâmina da serra para definir o ângulo de bisel (consulte a secção “Ajustar o ângulo de bisel”). Certifique-se de que volta a apertar o manípulo firmemente para fixar o ângulo de bisel seleccionado. Fixe a peça de trabalho com um torno. Ligue a ferramenta sem que a lâmina toque na peça de trabalho e aguarde até esta atinja a velocidade máxima. Desça lentamente a alavanca até à posição totalmente descida ao mesmo tempo que aplica pressão em paralelo à lâmina. No final do corte, desligue a ferramenta e AGUARDE ATÉ A LÂMINA PARAR TOTALMENTE antes de recolocar a lâmina na posição totalmente elevada.

PRECAUÇÃO:

- Certifique-se sempre que de a lâmina desce na direcção de bisel durante um corte em bisel. Mantenha as mãos afastadas do percurso da lâmina.
- Durante um corte em bisel, a peça cortada poderá ficar encostada à parte lateral da lâmina. Se subir a lâmina ainda em rotação, esta peça poderá ser apanhada pela lâmina, provocando a dispersão de fragmentos, o que é perigoso. A lâmina APENAS deverá ser subida quando estiver totalmente parada.
- Ao descer a alavanca, exerça uma pressão paralela à lâmina. Se a pressão exercida não for paralela, o ângulo da lâmina poderá ser desviado e a precisão do corte afectada negativamente.
- (Apenas para países europeus) coloque sempre a sub-vedação para fora ao efectuar cortes em bisel à esquerda.

4. Corte combinado

O corte combinado é o processo no qual é feito um ângulo de bisel ao mesmo tempo que é efectuado um corte angular numa peça de trabalho. O corte combinado pode ser efectuado com o ângulo indicado na tabela.

Ângulo de bisel	Ângulo de corte angular
45°	Esquerda e direita 0 - 45°

006366

Para a realização de cortes combinados, consulte as explicações nas secções “Corte de pressão”, “Corte angular” e “Corte em bisel”.

5. Corte de perfis de alumínio (Fig. 29)

Para fixar perfis de alumínio, utilize blocos espaçadores ou bocados de peças como ilustrado na imagem, para evitar a deformação do alumínio. Utilize um lubrificante de corte para cortar perfis de alumínio para evitar a acumulação de restos de alumínio na lâmina.

PRECAUÇÃO:

- Nunca tente cortar perfis de alumínio espessos ou redondos. Os perfis de alumínio espessos podem soltar-se durante a utilização da ferramenta e os perfis de alumínio redondos não podem ser firmemente fixos com esta ferramenta.

6. Utilização de faces de madeira

A utilização de faxes de madeira ajuda a assegurar cortes sem lascas nas peças de trabalho. Fixe uma face de madeira à vedação de guia utilizando os orifícios existentes na vedação. Veja na figura as dimensões sugeridas para uma face de madeira. (Fig. 30)

PRECAUÇÃO:

- Utilize um pedaço de madeira direito e com uma espessura uniforme como face de madeira.
- Utilize parafusos para fixar a face de madeira à vedação de guia. Os parafusos devem ser instalados de modo a que as cabeças dos mesmos fiquem abaixo da superfície da face de madeira.
- Depois de fixar a face de madeira, não rode a base rotativa com a alavanca descida. A lâmina e/ou a face de madeira danificar-se-ão.
- A largura de corte máxima terá menos a largura da face de madeira.

7. Corte de comprimentos repetitivos (Fig. 31)

Ao cortar várias peças de tronco do mesmo comprimento, entre 240 mm e 380 mm, a utilização da chapa de acerto (acessório opcional) facilitará uma operação mais eficiente. Instale a chapa de acerto no suporte (acessório opcional) como ilustrado na figura. Alinhe a linha de corte na sua peça de trabalho com o lado esquerdo ou direito da ranhura existente na placa de corte e, evitando que a peça de trabalho se desloque, coloque a chapa de acerto encostada à extremidade da peça de trabalho. De seguida, fixe a chapa de acerto com o parafuso. Quando a chapa de acerto não for utilizada, desaperte o parafuso e afaste-a.

Transportar a ferramenta (Fig. 32)

Certifique-se de que a ferramenta está desligada da tomada. Segure a lâmina num ângulo de bisel de 0° e a base rotativa num ângulo de corte angular esquerdo. Desça totalmente a alavanca e bloqueie-a na posição descida empurrando o pino batente para dentro. Transporte a ferramenta pela pega de transporte como ilustrado na figura. Se retirar os suportes, saco do pó, etc., é mais fácil transportar a ferramenta. (Fig. 33)

PRECAUÇÃO:

- Fixe sempre todas as peças móveis antes de transportar a ferramenta.
- O pino batente destina-se apenas a fins de transporte e armazenamento e não para quaisquer operações de corte.

MANUTENÇÃO

PRECAUÇÃO:

- Certifique-se sempre de que a ferramenta está desligada no interruptor e da tomada antes de inspeccionar ou fazer a manutenção da ferramenta.
- Nunca utilize gasolina, benzina, diluente, álcool ou semelhante. Podem formar-se descolorações, deformações ou fissuras.

AVISO:

- Certifique-se sempre de que a lâmina está afiada e limpa a fim de obter um desempenho melhor e mais seguro.

Ajustar o ângulo de corte

Esta ferramenta foi cuidadosamente ajustada e alinhada na fábrica, no entanto, um manuseamento impróprio poderá ter afectado o alinhamento. Se a sua ferramenta não estiver devidamente alinhada, efectue o seguinte:

1. Ângulo de corte angular (Fig. 34)

Desaperte a pega que fixa a base rotativa. Rode a base rotativa de modo a que o ponteiro aponte para 0° na escala de corte angular. Aperte o punho e desaperte os parafusos sextavados que fixam a vedação de guia com a chave. Se o ponteiro não apontar para 0° na escala de corte angular, desaperte o parafuso que fixa o ponteiro, desloque e fixe a placa do ponteiro de modo a este apontar para 0° na escala de corte angular.

Desça totalmente a alavanca e bloqueie-a na posição descida empurrando o pino batente para dentro. Crie um ângulo recto com a parte lateral da lâmina e a face da vedação de guia utilizando um esquadro, um esquadro de encosto, etc.. De seguida, aperte firmemente os parafusos sextavados na vedação de guia por ordem a partir do lado direito. (Fig. 35)

2. Ângulo de bisel

(1) Ângulo de bisel de 0° (Fig. 36)

Desça totalmente a alavanca e bloqueie-a na posição descida empurrando o pino batente para dentro. Desaperte o manípulo existente na parte de trás da ferramenta. Desaperte a porca sextavada e rode o parafuso de ajuste do ângulo de bisel de 0°, no lado direito da base rotativa, uma ou três voltas para a direita para inclinar a lâmina para a direita. Cuidadosamente, crie um ângulo recto entre a parte lateral da lâmina e a superfície superior da base rotativa utilizando o esquadro, o esquadro de encosto, etc. rodando o parafuso de ajuste do ângulo de bisel de 0° para a esquerda. De seguida aperte a porca sextavada para fixar o parafuso de ajuste do ângulo de bisel de 0° e aperte firmemente o manípulo. Certifique-se de que o ponteiro existente no braço aponta para 0° na escala de bisel. Se não apontar para 0° na escala de bisel, desaperte o parafuso que fixa o ponteiro, desloque e fixe a placa do ponteiro de modo a este apontar para 0° na escala de bisel. (Fig. 37 e 38)

(2) Ângulo de bisel de 45° (Fig. 39)

Ajuste o ângulo de bisel de 45° apenas depois de ajustar o ângulo de bisel de 0°. Para ajustar o ângulo de bisel de 45° esquerdo, desaperte o manípulo e incline totalmente a lâmina para a esquerda. Certifique-se de que o ponteiro existente no braço aponta para 45° na escala de bisel do braço. Se o ponteiro não apontar para 45°, rode o parafuso de ajuste do ângulo de bisel de 45° existente no lado esquerdo do braço até o ponteiro apontar para 45°.

Substituir as escovas de carvão (Fig. 40)

Remova e verifique regularmente as escovas de carvão. Substitua-as quando estas atingirem 3 mm de comprimento. Mantenha-as limpas para poderem deslizar no porta-escovas. Substitua as duas ao mesmo tempo. Utilize unicamente escovas de carvão idênticas.

Utilize uma chave de parafusos para remover as tampas do porta-escovas. Retire as escovas usadas, coloque umas novas e fixe as tampas do porta-escovas. (Fig. 41)

Após a utilização

- Após a utilização, retire as farpas e pó que se tenham acumulado na ferramenta com um pano ou algo semelhante. Mantenha a protecção da lâmina limpa em conformidade com as instruções apresentadas na secção "Protecção da lâmina". Lubrifique as partes móveis com lubrificante de lâminas para evitar a formação de ferrugem.

Para manter os níveis de SEGURANÇA e FIABILIDADE definidos para este produto, as reparações e os procedimentos de manutenção ou ajustes devem ser executados por centros de assistência Makita autorizados, utilizando sempre peças de substituição Makita.

Ruído

ENG905-1

Os níveis acústicos ponderados A típicos foram determinados segundo a EN61029:

Nível de pressão sonora (L_{pA}): 92 dB (A)

Nível de potência sonora (L_{WA}): 105 dB (A)

Incerteza (K): 3 dB (A)

Use protecção para os ouvidos.

Apenas para países europeus

ENH003-15

Declaração de conformidade CE

A Makita declara que as máquinas:

Designação da máquina:

Serra de Esquadria

Nº/Tipo de modelo: MLS100

Estão em conformidade com as directivas europeias seguintes:

2006/42/EC

São fabricadas de acordo com as normas e documentos padronizados seguintes:

EN61029

O ficheiro técnico em conformidade com a norma 2006/42/EC está disponível a partir de:

Makita, Jan-Baptist Vinkstraat 2, 3070, Bélgica

30. 5. 2014



Yasushi Fukaya
Director

Makita, Jan-Baptist Vinkstraat 2, 3070, Bélgica

DANSK (Originalvejledning)

Forklaring til generel oversigt

1. Skruenøgle	18. Kontaktgreb	35. Skruetvingestang
2. Knap	19. Midterdæksel	36. Lodret skruetvinge
3. Hjælpeplade	20. Sekskantskrue	37. Skruetvinge
4. Skrue	21. Klingehus	38. Afstandsblok
5. Basis	22. Pil	39. Aluminiumsekstrudering
6. Stopstift	23. Savklinge	40. Afstandsblok
7. Bolt	24. Spindel	41. Over 10 mm
8. Klingebeskytter	25. Flange	42. Over 460 mm
9. Savsnitenhed	26. Ring	43. Hul
10. Justeringskrue	27. Underanslag	44. Låge
11. Overside af drejebasis	28. Støppose	45. Holder
12. Omkredsen af klingen	29. Lukkemekanisme	46. Stopstift
13. Styreanlægsflade	30. Støtteanordning	47. Trekantlineal
14. Låsearm	31. Drejebasis	48. 0° justeringskrue
15. Greb	32. Skruetvingeknap	49. Justeringskrue til 45° skråvinkel
16. Pil	33. Skrue	50. Kulholderdæksel
17. Håndtag	34. Skruetvingearm	51. Skruetrækker

SPECIFIKATIONER

Model	MLS100
Klingediameter	255 mm
Klingetykkelse	1,6 mm - 2,4 mm
Huldiameter	
I alle andre lande end de europæiske	25,4 mm
I europæiske lande	30 mm
Maks. skæreevne (H x B) med klinge, som er 255 mm i diameter	

Skråvinkel	Geringsvinkel	
	0°	45° (venstre og højre)
0°	75 x 130 mm	75 x 90 mm
45° (venstre)	48 x 120 mm	48 x 90 mm

Hastighed uden belastning (min ⁻¹)	4.200
Størrelse (L x B x H)	610 x 485 x 515 mm
Nettovægt	14,7 kg
Sikkerhedsklasse	II/III

- På grund af vores løbende forsknings- og udviklingsprogram kan specifikationerne heri ændres uden forudgående varsel.
- Specifikationerne kan variere fra land til land.
- Vægt i henhold til EPTA-procedure 01/2003

Symboler

END217-5

Her vises de symboler, der benyttes til udstyret.

Vær sikker på, at du forstår deres betydning, før du bruger maskinen.



..... Læs brugsanvisningen.



..... DOBBELT ISOLERET



..... For at undgå skader pga. flyvende stumper skal savhovedet holdes nede, indtil klingen er fuldstændig stoppet, når snittet er udført.



..... Placer ikke hånd eller fingre tæt på klingens.



..... Af sikkerhedshensyn skal spåner, småstykker osv. fjernes fra drejeshensyns overflade, før arbejdet påbegyndes.



..... Placer altid UNDERANSLAGET på den venstre position ved udførsel af venstre skråsnit. Ellers kan det påføre operatøren alvorlige personskader.



..... Drej boltens med uret for at løsne den.



..... Kun for EU-lande
Elektrisk udstyr må ikke bortskaffes som almindeligt affald!
I henhold til det europæiske direktiv om bortskaffelse af elektriske og elektroniske produkter og dets implementering i overensstemmelse med gældende

national lovgivning skal brugt elektrisk udstyr, der har udtjent dets levetid, indsamles separat og returneres til miljøgodkendt genindvinding.

Tilsigtet brug

ENE004-1

Den tilsigtede brug af værktøjet er en nøjagtig skæring i træ i lige linje eller en geringsskæring. Hvis de rigtige savklinger benyttes, er det også muligt at skære i aluminium.

Strømforsyning

ENF002-2

Værktøjet bør kun sluttes til en strømforsyning med den spænding, der er angivet på mærkepladen, og det kan kun benyttes med enkeltfaset vekselstrøm. Det er dobbelt isoleret og kan derfor også sluttes til stikkontakter uden jordforbindelse.

Generelle sikkerhedsadvarsler for maskiner

GEA010-1

⚠ ADVARSEL Læs alle sikkerhedsadvarsler og alle instruktioner. Hvis De ikke følger alle advarsler og instruktioner, kan det medføre elektrisk stød, brand og/eller alvorlig personskade.

Gem alle advarsler og instruktioner til senere reference.

SIKKERHEDSADVARSLER FOR GERINGSSAV

ENB034-8

1. Anbring aldrig hænder eller fingre i savklings bane. Undgå kontakt med klingens bane, mens den kører. Berøring kan medføre alvorlig tilskadekomst.
2. Efterse klingens omhyggeligt for revner eller deformation før brugen. Udskift straks beskadigede klinger.
3. Udskift savsnitene, når de bliver slidt.
4. Brug kun savklinger der er specificeret af producenten, og som overholder EN847-1.
5. Brug ikke savklinger, der er fremstillet af hurtigstål.
6. Brug beskyttelsesbriller.
7. Bær høreværn for at reducere risikoen for høretab.
8. Anvend handsker ved håndtering af savklinger (savklingen skal transporteres i en holder, når det er muligt) og grove materialer.
9. Tilslut geringssaven til en støvopsamlende anordning, når du saver.
10. Vælg savklinger, der passer til det materiale, der skal saves.
11. Brug ikke saven til at skære andet end træ, aluminium eller lignende materialer.
12. Fastgør altid alle bevægelige dele, inden maskinen transporteres. Når du løfter eller transporterer maskinen, skal du ikke anvende skærmen som et bærehandtag.
13. Anvend ikke saven, hvis skærmene ikke er på plads. Kontrollér, at klingebeskytteren lukker korrekt før hver brug. Anvend ikke saven, hvis klingebeskytteren ikke bevæger sig frit og lukker

øjeblikkeligt. Klingebeskytteren må aldrig klemmes eller bindes til åben position.

14. Hold gulvarealet fri for løst materiale som f.eks. spåner og afskårne stykker.
15. Brug kun savklinger som er mærket med en maksimumhastighed, som er lig med eller højere end den hastighed uden belastning, som er markeret på maskinen.
16. Når maskinen er udstyret med en laser eller LED, skal du ikke udskifte laseren eller LED'en med en anden type. Bed et autoriseret servicecenter om reparation.
17. Fjern aldrig afskårne stykker eller andre dele af arbejdsemnet fra saveområdet, mens maskinen kører med en ubeskyttet savklinge.
18. Udfør intet arbejde på frihånd. Arbejdsemnet skal altid være forsvarligt fastspændt mod drejeskiven og anslaget ved hjælp af skruestikken under alt arbejde med maskinen. Brug aldrig hånden til at holde arbejdsemnet fast.
19. Sikr dig, at maskinen er stabil inden hvert snit.
20. Fastgør maskinen til en arbejdsbænk om nødvendigt.
21. Understøt lange arbejdsemner med passende ekstra understøttelse.
22. Sav aldrig arbejdsemner som er så små, at de ikke kan holdes ordentligt med skruestikken. Et forkert holdt arbejdsemne kan muligvis forårsage tilbageslag og alvorlig personskade.
23. Ræk aldrig rundt om savklingen.
24. Sluk maskinen og vent indtil savklingen står helt stille, før arbejdsemnet flyttes eller indstillinger ændres.
25. Træk stikket ud før der udskiftes klinge eller foretages vedligeholdelse.
26. Stopstiften, som fastlåser skærehovedet, er kun beregnet til transport- og opbevaringsformål og ikke til nogen form for skæringsarbejde.
27. Brug ikke maskinen i nærheden af letantændelige væsker eller gasser. Maskinens elektriske funktion kan forårsage eksplosion og brand ved kontakt med letantændelige væsker og gasser.
28. Brug kun flanger, der er beregnet til maskinen.
29. Pas på ikke at beskadige aksel, flanger (specielt monteringsfladen) og bolte. Beskadigelse af disse dele kan medføre beskadigelse af klingens.
30. Sørg for, at drejeskiven er ordentligt fastlåst, så den ikke bevæger sig under brug.
31. Af sikkerhedshensyn skal spåner, småstykker osv. fjernes fra drejeskivens overflade, før arbejdet påbegyndes.
32. Undgå at skære i søm. Se efter, og fjern alle søm fra arbejdsemnet før arbejdet.
33. Sørg for, at spindellåsen er frigjort, inden kontakten tændes.
34. Sørg for, at savklingen ikke rører drejeskiven i nederste position.
35. Hold godt fast i håndtaget. Vær opmærksom på, at saven bevæger sig en smule op og ned ved start og stop.
36. Sørg for, at klingens ikke har kontakt med arbejdsemnet, før der tændes på kontakten.
37. Lad maskinen køre et stykke tid, før den benyttes på et arbejdsemne. Hold øje med vibrationer eller

- slinger, der kan være tegn på en forkert montering eller en dårligt afbalanceret klinge.
38. Vent, til klingen når fuld hastighed, før du skærer.
 39. Afbryd straks arbejdet, hvis du bemærker noget unormalt under brugen.
 40. Forsøg aldrig at fastlåse afbryderen i "on" stillingen.
 41. Vær altid på vagt; især under gentaget, monotont arbejde. Det er farligt at blive lullet ind i en falsk følelse af sikkerhed. Klingerne er meget farlige.
 42. Brug altid det tilbehør, der anbefales i denne brugsanvisning. Brug af upassende tilbehør, som f.eks. silbeskiver, kan medføre tilskadekomst.
 43. Vær omhyggelig, når der skal laves notning.
 44. Støv, som er frembragt under anvendelsen, kan indeholde kemikalier, der er kendt for være kræftfremkaldende, give fødselsskader eller anden skade på forplantningsevnen. Nogle eksempler på disse kemikalier er:
 - bly fra materialer, der er malet med blyholdig maling og
 - arsenik eller krom fra kemisk behandlet tømmer.
 Din risiko i forbindelse med udsættelse for disse kemikalier afhænger af, hvor ofte du udfører denne type arbejde. For at reducere udsættelsen for disse kemikalier: Udfør kun arbejde i veludluftede områder og med anvendelse af godkendt sikkerhedsudstyr, såsom støvmasker, der er specielt konstrueret til at filtrere mikroskopiske partikler.
 45. For at reducere den afgivne støj, bør du sikre dig, at klingen altid er skarp og ren.
 46. Operatøren skal være tilstrækkeligt uddannet i brug, justering og betjening af maskinen.

GEM DISSE INSTRUKTIONER.

⚠ ADVARSEL:
 LAD IKKE tryk eller kendskab til produktet (fra gentagen brug) føre til, at du ikke strengt overholder sikkerhedsreglerne for det gældende produkt. **MISBRUG** eller manglende overholdelse af sikkerhedsreglerne i denne brugsanvisning kan medføre alvorlig personskaade.

MONTERING (Fig. 1 og 2)

Når værktøjet sendes fra fabrikken, låser stopstiften håndtaget i den nederste indstilling. Løsn skruen med skruenøglen, som fulgte med værktøjet, og placer savhovedet i den rigtige vinkel. Tag skruen ud, og fastgør savhovedet med knappen.

Montering af hjælpepladen (Fig. 3)

Monter hjælpepladen ved hjælp af hullet i værktøjets fod, og fastgør den ved stramme skruerne til.

Maskinmontering

Når værktøjet sendes fra fabrikken, låser stopstiften håndtaget i den nederste indstilling. Frigør stopstiften ved at sænke håndtaget en smule og trække stopstiften ud. (Fig. 4)

Dette værktøj skal ved hjælp af fire møtrikker boltes fast til en plan og stabil overflade via møtrikhullerne i værktøjets

fod. På den måde undgås det, at saven vælter, og at der forekommer eventuel personskaade. (Fig. 5)

FUNKTIONSBESKRIVELSE

FORSIGTIG:

- Sørg altid for, at værktøjet er slukket, og at stikket er taget ud af stikkontakten, før De justerer værktøjet eller kontrollerer dets funktion.

Klingebeskytter (Fig. 6)

Når håndtaget sænkes, løftes klingebeskytteren automatisk. Beskytteren fungerer ved hjælp af en fjeder og vender tilbage til startindstillingen, når skæringen er udført, og håndtaget hævet. **DE MÅ ALDRIG OMGÅ ELLER FJERNE KLINGEBESKYTTEREN ELLER FJEDEREN, SOM ER FASTGJORT TIL BESKYTTEREN.**

Af sikkerhedsmæssige årsager skal klingebeskytteren altid holdes i god stand. Hvis klingebeskytteren viser tegn på unormal drift, skal dette rettes øjeblikkeligt. Sørg for, at beskytteren returneres ved hjælp af fjederen. **BRUG ALDRIG VÆRKTØJET, HVIS KLINGEBESKYTTEREN ELLER FJEDEREN ER BESKADIGT, HAR FUNKTIONSSVIGT ELLER ER FJERNET. HVIS DETTE IKKE OVERHOLDES, KAN DET VÆRE SÆRDELS FARLIGT OG MEDFØRE ALVORLIG PERSONSKAade.**

Hvis den gennemsigtige klingebeskytter bliver snavset, eller der hænger savstøv fast på den på en sådan måde, at klingen ikke længere er helt synlig, skal De trække saven ud af stikkontakten og omhyggeligt rengøre beskytteren med en fugtig klud. Anvend ikke opløsningsmidler eller oliebaseerede rengøringsmidler på plastikbeskytteren. Hvis den gennemsigtige klingebeskytter bliver snavset, eller der hænger savstøv fast på den på en sådan måde, at klingen og eller arbejdsemnet ikke længere er helt synlig, skal De trække saven ud af stikkontakten og omhyggeligt rengøre beskytteren med en fugtig klud. Anvend ikke opløsningsmidler eller oliebaseerede rengøringsmidler på plastikbeskytteren.

Hvis klingebeskytteren er meget snavset, og muligheden for at se igennem den er forringet, skal De benytte den medfølgende skruenøgle til at løse sekskantskruen, som holder midterdækslet. Løsn sekskantskruen ved at dreje den mod uret, og løft klingebeskytteren og midterdækslet. Mens klingebeskytteren er indstillet på denne måde, kan rengøring blive mere omfattende og effektiv. Når rengøringen er overstået, skal proceduren herover udføres i omvendt rækkefølge, hvorefter møtrikken strammes til igen. Fjern ikke den fjeder, der holder klingebeskytteren. Hvis beskytteren får en forkert farve på grund af alder eller udsættelse for UV-lys, skal De kontakte et af Makitas servicecentre for at få en ny beskytter. **UNDLAD AT OMGÅ ELLER FJERNE BESKYTTEREN. (Fig. 7)**

Savsnittheden (Fig. 8)

Værktøjet er forsynet med savsnittheden på drejebasen for at minimere rivning på udgangssiden af et snit. Hvis savsnittrillen endnu ikke er skåret i savsnittheden fra fabrikkens side, skal De skære rillen, før værktøjet tages i egentlig brug på et arbejdsemne. Tænd for værktøjet, og sænk bladet forsigtigt for at skære en rille i savsnittheden.

Fastholdelse af maksimal skæreevne

Fra fabrikkens side er dette værktøj indstillet til at give en maksimal skæreevne til en 255 mm savklinge.

Ved montering af en ny klinge skal De altid kontrollere klingens laveste indstilling og om nødvendigt justere den således:

Tag først stikket ud af stikkontakten. Før håndtaget helt ned. Brug skruenøglen til at dreje justeringsskruen, indtil klingens omkreds når en smule under oversiden af drejebasen på det sted, hvor frontiden af styreanlægsfladen møder drejebasens overside. (Fig. 9)

Mens strømstikket til værktøjet er trukket ud, skal De dreje klingens med hånden, samtidig med at håndtaget holdes helt nede. På den måde sikres det, at klingens ikke er i kontakt med nogen del af den nederste basis. Juster igen, hvis det er nødvendigt. (Fig. 10)

FORSIGTIG:

- Efter montering af en ny klinge skal De altid sikre Dem, at klingens ikke er i kontakt med nogen del af den nederste basis, når håndtaget er ført helt ned. Gør altid dette, når værktøjet ikke er i stikkontakten.

Justering af geringsvinklen (Fig. 11)

Løsn grebet ved at dreje mod uret. Drej drejebasen, samtidig med at låsearmen presses ned. Når De har flyttet grebet til den indstilling, hvor pilen peger på den ønskede vinkel på geringskalaen, skal De stramme grebet godt til med uret.

FORSIGTIG:

- Når drejebasen drejes, skal håndtaget hæves helt.
- Når geringsvinklen er ændret, skal drejebasen altid fastgøres ved at dreje grebet godt til.

Justering af skråvinklen (Fig. 12 og 13)

For at justere skråvinklen skal knappen bag på værktøjet løsnes ved at dreje mod uret.

Skub håndtaget til venstre for at vippe savklingen, indtil pilen peger på den ønskede vinkel på skråskalaen.

Stram derefter knappen til, så armen sidder solidt fast.

FORSIGTIG:

- Når savklingen vippes, skal håndtaget hæves helt.
- Når skråvinklen er ændret, skal De altid fastgøre armen ved at stramme knappen til med uret.

Betjening af kontakt

FORSIGTIG:

- Før værktøjet tilsættes, skal De altid kontrollere, at kontaktgrebet reagerer korrekt og vender tilbage til "OFF"-indstillingen, når De slipper det.

I europæiske lande (Fig. 14)

Værktøjet startes ved at trykke håndtaget til højre og derefter trække i kontaktgrebet. Slip kontaktgrebet for at stoppe.

I alle andre lande end de europæiske (Fig. 15)

For at starte værktøjet skal De blot trykke på kontaktgrebet. Slip kontaktgrebet for at stoppe.

ADVARSEL:

- Anvend ALDRIG værktøjet uden et fuldt funktionsdueligt kontaktgreb. Et værktøj med defekt

kontakt er MEGET FARLIGT og skal repareres, før det anvendes.

MONTERING

FORSIGTIG:

- Sørg altid for, at værktøjet er slukket og taget ud af stikkontakten, før De udfører nogen form for arbejde på værktøjet.

Montering eller afmontering af savklingen

FORSIGTIG:

- Sørg altid for, at værktøjet er slukket, og at stikket er taget ud af stikkontakten, før De monterer eller afmonterer klingens.
- Anvend kun den medfølgende Makita-skruenøgle til at montere eller afmontere klingens. Ellers kan det føre til, at sekskantskruen bliver spændt enten for løst eller for stramt. Det kan føre til personskader.

Når en klinge skal aftages eller monteres, skal håndtaget være i den hævende indstilling. (Fig. 16)

For at aftage klingens skal De bruge skruenøgle til at løsne den sekskantskrue, som holder midterdækslet, og dreje den mod uret. Løft klingebeskytteren og midterdækslet. (Fig. 17)

Tryk på skaftlåsen for at låse spindlen og bruge skruenøglen til at løsne sekskantskruen med uret. Fjern derefter sekskantskruen, den udvendige flange og klingens. (Fig. 18)

For at montere klingens skal den forsigtigt placeres på spindlen, så retningen af pilen på klingens overflade passer til retning af pilen på klingehuset. Monter den ydre flange og sekskantskruen, og brug derefter skruenøglen til at skrue sekskantskruen (venstre) godt til, samtidig med at der presses på skaftlåsen. (Fig. 19 og 20)

FORSIGTIG:

- Ringen på 25,4 eller 30 mm i ydre diameter er fabriksmonteret på spindlen. Før klingens monteres på spindlen, skal De altid sikre Dem, at den rigtige ring til dornhullet på den ønskede klinge, er monteret på spindlen.

Monter den ydre flange og sekskantskruen, og brug derefter skruenøglen til at skrue sekskantskruen (venstre) godt til, samtidig med at der presses på skaftlåsen.

Før klingebeskytteren og midterdækslet tilbage til startindstillingerne. Stram derefter sekskantskruen til med uret for at fastgøre midterdækslet. Sænk håndtaget for at være sikker på, at klingebeskytteren bevæger sig korrekt. Sørg for, at skaftlåsen er frigjort spindlen, før der skæres.

Underanslag (kun for europæiske lande) (Fig. 21)

Dette værktøj er udstyret med underanslag. Normalt skal underanslaget placeres indvendigt. Men når du udfører venstre skråskæring, skal det vendes udad.

⚠ FORSIGTIG:

- Når du udfører venstre skråskæring, skal underanslaget vendes udad. Ellers kommer det i kontakt med klingens eller en del af værktøjet, hvilket kan tilføre operatøren alvorlige skader.

Støvopsamler (Fig. 22 og 23)

Med støvopsamleren kan brugen af saven foregå under rene forhold, og det er nemt at opsamle støv. Fastgør støvopsamleren ved at sætte den i støvdysen.

Når støvposen er omkring halvt fuld, skal De fjerne posen fra værktøjet og trække lukkemekanismen ud. Tøm støvposen, og klap let på den, så partikler, der klæber til indersiden, fjernes, hvilket ellers kan hæmme yderligere opsamling.

BEMÆRK:

Hvis De slutter en Makita-støvsuger til din sav, kan arbejdet udføres mere effektivt og renere.

Fastgørelse af arbejdsemner

ADVARSEL:

- Det er ekstremt vigtigt, at arbejdsemnet altid fastgøres korrekt og stramt ved hjælp af skruetvingen. Hvis dette ikke overholdelse, kan betyde, at værktøjet beskadiges, og/eller at arbejdsemnet ødelægges. DER KAN OGSÅ SKE PERSONSKADE. Når De er færdig med at save, SKAL DE IKKE hæve klingen, før den ikke længere kører rundt.

FORSIGTIG:

- Når der skal saves i lange arbejdsemner, skal De altid benytte støtteanordninger, som er lige så høje som niveauet af drejebasens overside. Brug ikke udelukkende den lodrette og/eller vandrette skruetvinge til at fastgøre arbejdsemnet med. Tynde materialer har en tendens til at bøjes. Støt arbejdsemnet i hele dets længde for at undgå, at klingens kommer i klemme, og at der sker TILBAGESLAG. (Fig. 24)

Lodret skruetvinge (Fig. 25)

Den lodrette skruetvinge kan monteres i to indstillinger enten på den venstre eller højre side af styreanlægsfladen. Indsæt skruetvingestangen i hullet i styreanlægsfladen, og stram skruen til for at fastgøre skruetvingestangen.

Placer skruetvingearmen alt efter arbejdsemnets tykkelse og form, og fastgør skruetvingearmen ved at stramme skruen til. Sørg for, at værktøjet ikke har kontakt med skruetvingen, når håndtaget føres helt ned. Hvis dele af værktøjet har kontakt med skruetvingen, skal den indstilles igen.

Pres arbejdsemnet fladt ned mod styreanlægsfladen og drejebasen. Placer arbejdsemnet i den ønskede skæringsindstilling, og fastgør det ved at stramme skruetvingeknappen godt til.

FORSIGTIG:

- Arbejdsemnet skal altid være sikkert fastgjort i forhold til drejebasen og styreanlægsfladen ved hjælp af skruetvingen, når saven anvendes.

BETJENING (Fig. 26)

FORSIGTIG:

- Før brug skal De sørge for at frigøre håndtaget fra den sænkede indstilling. Dette gøres ved at trække stopstiften ud.

- Sørg for, at klingens ikke har kontakt med arbejdsemnet, før der tændes på kontakten.
- Tryk ikke for hårdt på håndtaget, når saven anvendes. Hvis der trykkes for hårdt, kan det medføre, at motoren overbelastes og/eller reduceret savefunktion. Brug kun lige akkurat den nødvendige kraft nok til at skubbe håndtaget ned for at få en jævn skæring og uden en væsentlig reduktion i klingehastigheden.
- Pres forsigtigt ned på håndtaget for at foretage snittet. Hvis håndtaget trykkes hårdt ned, eller der anvendes sideværts kraft, begynder klingens at vibrere og lave et mærke (savmærke) i arbejdsemnet, og nøjagtigheden af snittet vil også forringes.

1. Skæring med tryk (Fig. 27)

Fastgør arbejdsemnet i skruetvingen. Tænd værktøjet, uden at klingens har kontakt med noget, og vent, indtil klingens er oppe i fuld hastighed, før der sænkes. Sænk derefter håndtaget forsigtigt til helt ned i laveste indstilling for at skære i arbejdsemnet. Når snittet er udført, slukkes værktøjet. VENT HEREFTER, INDTIL KLINGEN ER STOPPET HELT, før klingens sættes tilbage i den fuldt løftede indstilling.

2. Geringskæring

Se afsnittet "Justering af geringsvinklen".

3. Skraskæring (Fig. 28)

Løsn knappen, og vip savklingen for at indstille skråvinklen (se afsnittet "Justering af skråvinklen"). Sørg for at stramme knappen godt til igen for at fastholde den ønskede skråvinkel på en sikker måde. Fastgør arbejdsemnet i en skruetvinge. Tænd værktøjet, uden at klingens har kontakt med noget, og vent, indtil klingens er oppe i fuld hastighed. Før derefter håndtaget forsigtigt helt ned i den laveste indstilling, samtidig med at der trykkes parallelt på klingens. Når snittet er udført, slukkes værktøjet. VENT HEREFTER, INDTIL KLINGEN ER STOPPET HELT, før klingens sættes tilbage i den fuldt løftede indstilling.

FORSIGTIG:

- Sørg altid for, at klingens bevæges ned til skåretningen under en skraskæring. Placer ikke hænderne på den linje, hvor savklingen skal føres igennem.
- Under en skraskæring kan der opstå en situation, hvor det stykke, der er skåret af, hviler på siden af klingens. Hvis klingens hæves, mens klingens stadig drejer rundt, kan dette stykke blive fanget af klingens, hvilket kan medføre, at der spredes fragmenter. Dette er farligt. Klingens bør KUN hæves, når den er stoppet helt.
- Samtidig med at håndtaget trykkes ned, skal De påføre et tryk parallelt på klingens. Hvis trykket ikke er parallelt på klingens under en skæring, kan vinklen på klingens ændre sig, hvormed skæringsnøjagtigheden forringes.
- (Kun for europæiske lande) placer altid underanslaget udvendigt ved udførelse af venstre skraskæring.

4. Kombineret skæring

En kombineret skæring er den proces, hvor der udføres et skråsnit, samtidig med at der også skæres en geringsvinkel på et arbejdsemnet. En kombineret skæring kan udføres ved den vinkel, som er angivet i tabellen.

Skråvinkel	Geringsvinkel
45°	Venstre og højre 0-45°

Hvis De skal udføre en kombineret skæring, skal De se forklaringerne under "Skæring med tryk", "Gerings-skæring" og "Skråskæring".

5. Skæring i aluminiumsekstrudering (Fig. 29)

Når De skal fastgøre aluminiumsekstruderinger, skal De benytte afstandsblokke eller affaldsstykker som vist i figuren, for at undgå at aluminiummet deformeres. Brug en smøremiddel til skæring, når der skal skæres i aluminiumsekstrudering, for at undgå opbygningen af aluminiumsmateriale på klingens.

FORSIGTIG:

- Skær aldrig i tykke eller runde aluminiumsekstruderinger. En tyk aluminiumsekstrudering kan blive løs under skæringen, og med dette værktøj er det ikke muligt at fastgøre runde aluminiumsekstruderinger på en sikker måde.

6. Træanlægsflade

Med en træanlægsflade kan der skæres i træarbejdsemner uden splinter. Fastgør en træanlægsflade til styreanlægsfladen ved hjælp af hullerne i styreanlægsfladen. Se figuren med hensyn til målene på den træanlægsflade, der foreslås. (Fig. 30)

FORSIGTIG:

- Brug et lige træstykke med ensartet tykkelse som anlægsflade.
- Brug skruerne til at fastgøre træanlægsfladen til styreanlægsfladen. Skrueerne skal monteres på en sådan måde, at skruerhovederne ligger under overfladen på træanlægsfladen.
- Når træanlægsfladen er monteret, skal De ikke dreje drejebasen, samtidig med at håndtaget er sænket. Det vil beskadige klingens og/eller træanlægsfladen.
- Den maksimale skæretykkelse er mindre end bredden på træanlægsfladen.

7. Skæring af stykker i samme længde flere gange (Fig. 31)

Når der skal skæres adskillige stykker i samme længde, fra 240 til 380 mm, gør brugen af indstillingspladen (valgfrit tilbehør) det nemmere at gøre det på en effektiv måde. Monter indstillingspladen på holderen (valgfrit tilbehør) som vist i figuren. Juster skærelinjen på arbejdsområdet i forhold til enten den venstre eller højre side af rillen i savsnitsenheden, og mens arbejdsområdet forhindres i at bevæge sig, flyttes indstillingspladen med arbejdsområdets endestykke. Fastgør derefter indstillingspladen med skruen. Når indstillingspladen ikke skal bruges, løsnes skruen, og indstillingspladen drejes væk.

Bæreværktøj (Fig. 32)

Sørg for, at værktøjet er frasluttet stikkontakten. Fastgør klingens i en skråvinkel på 0°, og drej drejebasen ved venstre geringsvinkel helt. Før håndtaget helt ned, og lås det i den sænkede indstilling ved at skubbe stofstiften ind. Bær værktøjet i transportgrebene som vist i figuren. Hvis De fjerner holderne, støvopsamlere osv., er det nemmere at transportere værktøjet. (Fig. 33)

FORSIGTIG:

- Fastgør alle bevægelige dele, før værktøjet transporteres.

- Stopstiften bruges kun ved transport og opbevaring og ikke i forbindelse med skæring.

VEDLIGEHOLDELSE

FORSIGTIG:

- Sørg altid for, at værktøjet er slukket, og at stikket er taget ud, før De forsøger at udføre inspektion eller vedligeholdelse.
- Brug aldrig benzin, benzen, fortynder, alkohol eller lignende. Det kan muligvis medføre misfarvning, deformation eller revner.

ADVARSEL:

- Sørg altid for, at klingens er skarp og ren for at få den bedste og mest sikre ydeevne.

Justering af skæringsvinklen

Dette værktøj indstilles og justeres omhyggeligt på fabrikken, men en hård håndtering kan have påvirket justeringen. Hvis Deres værktøj ikke er justeret korrekt, skal De gøre følgende:

1. Geringsvinkel (Fig. 34)

Løsn grebet, som fastgør drejebasen. Drej drejebasen, så pilen peger på 0° på geringssskalanen. Stram grebet, og løs sekskantskruerne, som fastholder styreanlægsfladen, ved hjælp af skruenøglen. Hvis pilen ikke peger mod 0° på geringssskalaen, skal De løsnes skruen, som fastholder pilen, og flytte og fastgøre pilepladen, så pilen peger på 0° på geringssskalaen. Før håndtaget helt ned, og lås det i den sænkede indstilling ved at skubbe stofstiften ind. Anbring klingens retvinklet i forhold til oversiden af styreanlægsfladen ved hjælp af en retvinklet trekantlineal, ansatsvinkel osv. Stram derefter sekskantskruerne til på styreanlægsfladen startende fra højre side. (Fig. 35)

2. Skråvinkel

(1) 0° skråvinkel (Fig. 36)

Før håndtaget helt ned, og lås det i den sænkede indstilling ved at skubbe stofstiften ind. Løsn håndtaget bag på værktøjet. Løsn sekskantskruerne, og drej 0° skråvinklen, og juster skruen på højre side af drejebasen med to eller tre omdrejninger mod uret for at vippe klingens til højre.

Placer omhyggeligt siden af klingens retvinklet i forhold til oversiden af drejebasen ved hjælp af en retvinklet trekantlineal, ansatsvinkel osv. ved at dreje justeringsskruen til 0° skråvinklen mod uret. Stram derefter sekskantskruerne for at fastgøre justeringsskruen til 0° skråvinklen, og stram knappen til.

Sørg for, at pilen på armen peger på 0° skråskalaen. Hvis pilen ikke peger mod 0° på skråskalaen, skal De løsne skruen, som fastholder pilen, og flytte og fastgøre pilepladen, så pilen peger på 0° på skråskalaen. (Fig. 37 og 38)

(2) 45° skråvinkel (Fig. 39)

Justér kun 45° skråvinklen, efter at der er foretaget en justering af 0° skråvinklen. Juster den venstre 45° skråvinkel ved at løsne knappen og vippe klingens helt til venstre. Sørg for, at pilen på armen peger på 45° skråskalaen på armen. Hvis pilen ikke peger på 45°

skal De dreje justeringskruen til 45° skråvinkel på venstre side af armen, indtil pilen peger på 45°.

Udskiftning af kulbørsterne (Fig. 40)

Tag regelmæssigt kulbørsterne af, og efterse dem. Udskift dem, når de er slidt til en længde på 3 mm. Hold kulbørsterne rene og frie til at glide i holderne. Begge kulbørster skal udskiftes samtidig. Brug altid identiske kulbørster.

Brug en skruetrækker til at fjerne kulholderdækslerne. Tag de udslidte kulbørster ud, monter de nye, og fastgør kulholderdækslerne. (Fig. 41)

Efter brug

- Efter brug skal de fjerne spåner og støv, som hænger ved værktøjet, ved hjælp af en klud eller lignende. Sørg for at holde klingen ren i henhold til de retningslinjer, som tidligere er angivet i afsnittet "Klingebeskytter". Smør glidedele med maskinolie for at forhindre rustdannelse.

For at holde produktet SIKKERT og PÅLIDELIGT skal reparationer samt al anden vedligeholdelse eller justering udføres af autoriserede Makita-servicecentre, og der skal altid benyttes Makita-reservedele.

Støj ENG905-1

Det typiske A-vægtede støjniveau bestemt i overensstemmelse med EN61029:

Lydtryksniveau (L_{pA}): 92 dB (A)

Lydeffektniveau (L_{WA}): 105 dB (A)

Usikkerhed (K): 3 dB (A)

Bær høreværn.

Kun for europæiske lande ENH003-15

EF-overensstemmelseserklæring

Makita erklærer at følgende Makita-maskine(r):

Maskinens betegnelse:

Kombineret geringssav

Modelnummer/type: MLS100

Overholder følgende europæiske direktiver:

2006/42/EF

De er produceret i overensstemmelse med den følgende standard eller standardiserede dokumenter:

EN61029

Den tekniske fil er i overensstemmelse med 2006/42/EF til rådighed fra:

Makita, Jan-Baptist Vinkstraat 2, 3070, Belgien

30. 5. 2014



Yasushi Fukaya

Direktør

Makita, Jan-Baptist Vinkstraat 2, 3070, Belgien

ΕΛΛΗΝΙΚΑ (Πρωτογενείς οδηγίες)

Περιγραφή γενικής όψης

- | | | |
|-----------------------------------------|------------------------|----------------------------------------------|
| 1. Κλειδί | 18. Σκανδάλη-διακόπτης | 36. Κάθετη μέγκενη |
| 2. Κουμπί | 19. Κεντρικό κάλυμμα | 37. Μέγκενη |
| 3. Βοηθητική πλάκα | 20. Εξαγωνικό μπουλόνι | 38. Μπλοκ αποστάτη |
| 4. Βίδα | 21. Θήκη δίσκου | 39. Αλουμινένια προεξοχή |
| 5. Βάση | 22. Βέλος | 40. Μπλοκ αποστάτη |
| 6. Περόνη στοπ | 23. Δισκοπρίονο | 41. Άνω των 10 mm |
| 7. Μπουλόνι | 24. Ατρακτος | 42. Άνω των 460 mm |
| 8. Προστατευτικό δίσκου | 25. Φλάντζα | 43. Οπή |
| 9. Αρμός κοπής | 26. Δακτύλιος | 44. Πλάκα συγκράτησης |
| 10. Ρυθμιστικό μπουλόνι | 27. Βοηθητικός οδηγός | 45. Υποδοχέας |
| 11. Άνω επιφάνεια της βάσης περιστροφής | 28. Σάκος σκόνης | 46. Περόνη στοπ |
| 12. Περιφέρεια δίσκου | 29. Συνδετήρας | 47. Τριγωνικός οδηγός |
| 13. Οδηγός | 30. Στήριξη | 48. Ρυθμιστικό μπουλόνι 0° |
| 14. Μοχλός κλειδώματος | 31. Βάση περιστροφής | 49. Ρυθμιστικό μπουλόνι γωνίας λοξοτομής 45° |
| 15. Λαβή | 32. Κουμπί μέγκενης | 50. Καπάκι υποδοχής για το καρβουνάκι |
| 16. Δείκτης | 33. Βίδα | 51. Κατσαβίδι |
| 17. Μοχλός | 34. Βραχίονας μέγκενης | |
| | 35. Ράβδος μέγκενης | |

ΤΕΧΝΙΚΑ ΧΑΡΑΚΤΗΡΙΣΤΙΚΑ

Μοντέλο	MLS100
Διάμετρος δίσκου	255 mm
Πάχος σώματος λάμας	1,6 mm - 2,4 mm
Διάμετρος οπής	
Για όλες τις χώρες εκτός Ευρώπης	25,4 mm
Για ευρωπαϊκές χώρες	30 mm
Μέγιστη ικανότητα κοπής (Υ x Π) με δίσκο διαμέτρου 255 mm	

Γωνία λοξοτομής	Γωνία κοπής θηλυκώματος	
	0°	45° (αριστερά και δεξιά)
0°	75 mm x 130 mm	75 mm x 90 mm
45° (αριστερά)	48 mm x 120 mm	48 mm x 90 mm

Ταχύτητα χωρίς φορτίο (min ⁻¹)	4.200
Διαστάσεις (Μ x Π x Υ)	610 mm x 485 mm x 515 mm
Καθαρό βάρος	14,7 κιλά
Τάξη ασφάλειας	

- Λόγω του συνεχόμενου προγράμματος που εφαρμόζουμε για έρευνα και ανάπτυξη, τα τεχνικά χαρακτηριστικά στο παρόν έντυπο υπόκεινται σε αλλαγή χωρίς προειδοποίηση.
- Τα τεχνικά χαρακτηριστικά ενδέχεται να διαφέρουν ανάλογα με τη χώρα.
- Βάρος σύμφωνα με τη διαδικασία EPTA 01/2003

Σύμβολα

END217-5

Παρακάτω παρουσιάζονται τα σύμβολα που χρησιμοποιούνται για τον εξοπλισμό.

Βεβαιωθείτε ότι κατανοείτε τη σημασία τους πριν από τη χρήση.



..... Διαβάστε το εγχειρίδιο οδηγιών.



..... ΔΙΠΛΗ ΜΟΝΩΣΗ



..... Για να αποφεύγετε τον τραυματισμό από εκτοξευόμενα θραύσματα, να κρατάτε την κεφαλή του πριονιού προς τα κάτω μετά την ολοκλήρωση των τομών, έως ότου ο δίσκος ακινητοποιηθεί εντελώς.



..... Μην πλησιάζετε τα χέρια ή τα δάκτυλά σας κοντά στο δίσκο.



..... Για την ασφάλειά σας, να αφαιρείτε τα θραύσματα, τα μικρά τεμάχια, κτλ. από τον πάγκο πριν από τη λειτουργία.



..... Να ρυθμίζετε πάντοτε τον ΒΟΗΘΗΤΙΚΟ ΟΔΗΓΟ στην αριστερή θέση όταν πραγματοποιείτε αριστερές λοξοτομές. Αν δεν το κάνετε αυτό, μπορεί να προκληθεί σοβαρός τραυματισμός στο χειριστή.



..... Για να ξεσφίξετε το μπουλόνι, περιστρέψτε το δεξιόστροφα.



..... Μόνο για τις χώρες της ΕΕ
Μην απορρίπτετε ηλεκτρικές συσκευές στον κάδο οικιακών απορριμμάτων! Σύμφωνα με την Ευρωπαϊκή Οδηγία περί των απορριμμάτων ηλεκτρικών και ηλεκτρονικών συσκευών και την ενσωμάτωση της στο εθνικό δίκαιο, οι ηλεκτρικές συσκευές, των οποίων έχει παρέλθει ο χρόνος ωφέλιμης ζωής τους, θα πρέπει να συλλέγονται ξεχωριστά και να επιστρέφονται σε εγκαταστάσεις περιβαλλοντικής ανακύκλωσης.

Προοριζόμενη χρήση ENE004-1
Το εργαλείο προορίζεται για ακριβείς ευθείες κοπές και κοπές θηλυκωμάτων σε ξύλο. Με τα κατάλληλα δισκοπρίονα, μπορείτε να πριονίσετε και αλουμίνιο.

Ηλεκτρική παροχή ENF002-2
Το εργαλείο πρέπει να συνδέεται μόνο σε ηλεκτρική παροχή της ίδιας τάσης με αυτήν που αναγράφεται στην πινακίδα ονομαστικών τιμών και μπορεί να λειτουργήσει μόνο με εναλλασσόμενο μονοφασικό ρεύμα. Τα εργαλεία αυτά διαθέτουν διπλή μόνωση και συνεπώς μπορούν να συνδεθούν με πρίζες χωρίς γείωση.

Γενικές Προειδοποιήσεις Ασφαλείας Του Ηλεκτρικού Εργαλείου GEA010-1

⚠ ΠΡΟΕΙΔΟΠΟΙΗΣΗ Διαβάστε όλες τις προειδοποιήσεις ασφαλείας και όλες τις οδηγίες. Αν δεν ακολουθήσετε όλες τις προειδοποιήσεις και τις οδηγίες, υπάρχει κίνδυνος ηλεκτροπληξίας, πυρκαγιάς ή/και σοβαρού τραυματισμού.

Φυλάξτε όλες τις προειδοποιήσεις και τις οδηγίες για μελλοντική αναφορά.

ΠΡΟΕΙΔΟΠΟΙΗΣΕΙΣ ΑΣΦΑΛΕΙΑΣ ΤΟΥ ΔΙΣΚΟΠΡΙΟΝΟΥ ΠΑΓΚΟΥ ENB034-8

1. Κρατήστε τα χέρια σας μακριά από τη διαδρομή του δισκοπρίονου. Αποφεύγετε την επαφή με οποιοδήποτε δίσκο κινείται ελεύθερα. Μπορεί και αυτός να προκαλέσει σοβαρό τραυματισμό.
2. Πριν από τη λειτουργία, να ελέγχετε προσεκτικά το δισκοπρίονο για ραγίσματα ή παραμόρφωση. Αντικαταστήστε άμεσα τους φθαρμένους δίσκους.
3. Αντικαταστήστε τον αρμό κοπής όταν αυτός φθαρεί.
4. Χρησιμοποιήστε μόνο δισκοπρίονα που συνιστώνται από τον κατασκευαστή και είναι εναρμονισμένα με το πρότυπο EN847-1.
5. Μη χρησιμοποιείτε δισκοπρίονα που είναι κατασκευασμένα από ταχυχάλυβα.
6. Να φοράτε προστατευτικά ματιών.
7. Να φοράτε προστατευτικό για να μειώσετε τον κίνδυνο απώλειας ακοής.
8. Να φοράτε γάντια για τον χειρισμό του δισκοπρίονου (τα δισκοπρίονα πρέπει να

μεταφέρονται πάνω σε βάση όποτε είναι πρακτικό) και ανθεκτικό υλικό.

9. Συνδέστε τα δισκοπρίονα πάγκου σε μια συσκευή συλλογής σκόνης όταν πριονίζετε.
10. Επιλέξτε τα δισκοπρίονα ανάλογα με το υλικό που πρόκειται να κόψετε.
11. Μη χρησιμοποιείτε το πριόνι για να κόψετε υλικά διαφορετικά από ξύλο, αλουμίνιο ή φάρμοια υλικά.
12. Στερεώνετε πάντοτε όλα τα κινούμενα μέρη πριν τη μεταφορά του εργαλείου. Κατά την ανύψωση ή τη μεταφορά του εργαλείου, μη χρησιμοποιείτε τον προφυλακτήρα ως λαβή μεταφοράς.
13. Μη θέτετε το πριόνι σε λειτουργία χωρίς να είναι τοποθετημένοι οι προφυλακτήρες στη θέση τους. Ελέγξτε ότι κλείνει σωστά το προστατευτικό δίσκου δίσκου πριν από κάθε χρήση. Μη θέτετε το πριόνι σε λειτουργία αν το προστατευτικό δίσκου δεν κινείται ελεύθερα και δεν κλείνει άμεσα. Μη συγκρατείτε και μη δένετε ποτέ προστατευτικό δίσκου δίσκου στην ανοιχτή θέση.
14. Διατηρήστε την περιοχή του δαπέδου χωρίς σκορπισμένα υλικά π.χ. ροκανίδια, αποκόμματα.
15. Χρησιμοποιήστε μόνο δισκοπρίονα, τα οποία έχουν σημανθεί με μέγιστη ταχύτητα ίση με ή μεγαλύτερη από την ταχύτητα χωρίς φορτίο που έχει σημανθεί στο εργαλείο.
16. Όταν στο εργαλείο έχει τοποθετηθεί λέιζερ ή φωτισμός LED, μην αντικαταστήσετε το λέιζερ ή το LED με διαφορετικού τύπου. Ζητήστε ένα εξουσιοδοτημένο κέντρο σέρβις για επισκευή.
17. Ποτέ μην αφαιρείτε τυχόν αποκόμματα ή άλλα μέρη του τεμαχίου εργασίας ενώ το εργαλείο βρίσκεται σε λειτουργία με αφύλακτο το δισκοπρίονο.
18. Μην πραγματοποιείτε οποιαδήποτε εργασία με γυμνά χέρια. Το τεμάχιο εργασίας πρέπει να είναι καλά στερεωμένο με τη μέγγνη επάνω στην περιστροφική βάση και τον οδηγό, κατά τη διάρκεια όλων των εργασιών. Μη χρησιμοποιείτε ποτέ το χέρι σας για να στερεώσετε το τεμάχιο εργασίας.
19. Φροντίστε το εργαλείο να είναι σταθερό πριν από κάθε κοπή.
20. Στερεώστε το εργαλείο στον πάγκο εργασίας, εάν είναι απαραίτητο.
21. Στηρίξτε τα μακριά τεμάχια εργασίας με τα κατάλληλα επιπρόσθετα στηρίγματα.
22. Ποτέ μην κόβετε μικρά τεμάχια εργασίας που δεν μπορούν να κρατηθούν με ασφάλεια από τη μέγγνη. Τα ακατάλληλα στερεωμένα τεμάχια εργασίας μπορεί να προκαλέσουν κλώσημα και σοβαρό προσωπικό τραυματισμό.
23. Μην εκτείνετε ποτέ γύρω από το δισκοπρίονο.
24. Να απενεργοποιείτε το εργαλείο και να περιμένετε να ακινητοποιηθεί το δισκοπρίονο πριν μετακινήσετε το τεμάχιο εργασίας ή αλλάξετε τις ρυθμίσεις.
25. Να αποσυνδέετε το εργαλείο πριν την αλλαγή του δίσκου ή την εκτέλεση των εργασιών συντήρησης.
26. Η ασφαλιστική περόνη η οποία κλειδώνει προς τα κάτω την κοπτική κεφαλή διατίθεται μόνο για σκοπούς μεταφοράς και αποθήκευσης και όχι για τυχόν λειτουργίες κοπής.

27. Μη χρησιμοποιείτε το εργαλείο παρουσία εύφλεκτων υγρών ή αερίων. Η ηλεκτρική λειτουργία του εργαλείου μπορεί να δημιουργήσει έκρηξη και φωτιά παρουσία εύφλεκτων υγρών ή αερίων.
28. Να χρησιμοποιείτε μόνο φλάντζες κατάλληλες για αυτό το εργαλείο.
29. Μην καταστρέψετε τον άξονα, τις φλάντζες (ειδικά την επιφάνεια τοποθέτησης) ή το μπουλόνι. Αν τα εξαρτήματα αυτά είναι κατεστραμμένα, μπορεί να επέλθει ως αποτέλεσμα το σπάσιμο του δίσκου.
30. Βεβαιωθείτε ότι η περιστροφική βάση είναι σωστά στερεωμένη ώστε να μην κινείται κατά τη λειτουργία.
31. Για την ασφάλειά σας, να αφαιρείτε τα θραύσματα, τα μικρά τεμάχια, κτλ. από τον πάγκο πριν από τη λειτουργία.
32. Να αποφεύγετε την κοπή καρφιών. Πριν από τη λειτουργία, να ελέγχετε αν υπάρχουν καρφιά στο τεμάχιο εργασίας και να τα αφαιρείτε όλα αν υπάρχουν.
33. Βεβαιωθείτε ότι έχετε απελευθερώσει το κλειδωμά του άξονα πριν ενεργοποιήσετε το διακόπτη λειτουργίας.
34. Βεβαιωθείτε ότι ο δίσκος δεν έρχεται σε επαφή με τη περιστροφική βάση στη χαμηλότερη θέση.
35. Κρατήστε το χερούλι σταθερά. Έχετε υπόψη ότι ο δίσκος κινείται λίγο προς τα πάνω ή προς τα κάτω κατά την έναρξη και διακοπή της λειτουργίας.
36. Βεβαιωθείτε ότι ο δίσκος δεν ακουμπά στο τεμάχιο εργασίας πριν ενεργοποιήσετε το διακόπτη λειτουργίας.
37. Πριν χρησιμοποιήσετε το εργαλείο σε ένα πραγματικό τεμάχιο εργασίας, να το αφήνετε να λειτουργεί για λίγη ώρα. Προσέχετε τις δονήσεις ή τις ταλαντώσεις που θα μπορούσαν να υποδεικνύουν κακή τοποθέτηση ή κακή ισορροπηση δίσκου.
38. Περιμένετε έως ότου ο δίσκος φτάσει στην πλήρη ταχύτητά του πριν κόψετε.
39. Διακόψτε αμέσως τη λειτουργία αν παρατηρήσετε ο,τιδήποτε ασυνήθιστο.
40. Μην προσπαθήσετε να ασφαλίσετε τη σκανδάλη στην ενεργή θέση.
41. Να είστε πάντοτε σε ετοιμότητα, ιδιαίτερα κατά τη διάρκεια επαναλαμβανόμενων, μονότονων εργασιών. Μην επαναπαύεστε λόγω μιας ψεύτικης αίσθησης ασφάλειας. Οι δίσκοι είναι εξαιρετικά επικίνδυνοι.
42. Χρησιμοποιείτε πάντοτε εξαρτήματα που συνιστώνται στο παρόν εγχειρίδιο. Η χρήση ακατάλληλων εξαρτημάτων, όπως οι λειαντικοί τροχοί, μπορεί να προκαλέσει τραυματισμό.
43. Προσέχετε όταν κάνετε εντομές.
44. Κάποια σωματίδια σκόνης που δημιουργούνται κατά τη λειτουργία περιέχουν χημικές ουσίες οι οποίες είναι γνωστό ότι προκαλούν καρκίνο, γενετικές ανωμαλίες και άλλες αναπαραγωγικές βλάβες. Μερικά παραδείγματα τέτοιων χημικών ουσιών είναι:
 - ο μόλυβδος από υλικά βαμμένα με χρώμα που έχει ως βάση το μόλυβδο,
 - το αρσενικό και το χρώμιο από ζυλεία που έχει υποστεί χημική επεξεργασία.

- Ο κίνδυνος από την έκθεσή σας στα παραπάνω ποικίλλει ανάλογα με τη συχνότητα με την οποία εκτελείτε αυτού του είδους τις εργασίες. Για να μειώσετε την έκθεσή σας σε αυτές τις χημικές ουσίες: να εργάζεστε σε χώρο με καλό εξαερισμό και να εργάζεστε με εγκεκριμένο εξοπλισμό ασφάλειας, όπως προστατιδα κατά της σκόνης που είναι ειδικά σχεδιασμένη να φιλτράρει μικροσκοπικά σωματίδια.
45. Για να μειώσετε το θόρυβο, να βεβαιώνετε πάντοτε ότι ο δίσκος είναι αιχμηρός και καθαρός.
 46. Ο χειριστής πρέπει να είναι κατάλληλα εκπαιδευμένος για τη χρήση, ρύθμιση και λειτουργία του εργαλείου.

ΦΥΛΑΞΤΕ ΑΥΤΕΣ ΤΙΣ ΟΔΗΓΙΕΣ.

⚠ ΠΡΟΕΙΔΟΠΟΙΗΣΗ:

ΔΕΝ ΠΡΕΠΕΙ για λόγους ευκολίας ή επειδή έχετε εξοικειωθεί με το προϊόν (μέσα από την επανειλημμένη χρήση) να εγκαταλείψετε την αυστηρή προσήλωση στον κανόνα ασφάλειας που εν λόγω προϊόντος. Η **ΛΑΘΑΙΑΣΜΕΝΗ ΧΡΗΣΗ** ή η μη τήρηση των κανόνων ασφαλείας που διατυπώνονται στο παρόν εγχειρίδιο οδηγιών μπορεί να προκαλέσει σοβαρό τραυματισμό.

ΤΟΠΟΘΕΤΗΣΗ (Εικ. 1 και 2)

Κατά τη μεταφορά του εργαλείου, η λαβή είναι ασφαλισμένη στη χαμηλωμένη θέση με την περόνη στοπ. Ξεσφίξτε το μπουλόνι με το κλειδί που παρέχεται με το εργαλείο και μετακινήστε τη κεφαλή πριονιού στη δεξιά γωνία. Αφαιρέστε το μπουλόνι και ασφαλίστε την κεφαλή πριονιού με το κουμπί.

Τοποθέτηση βοηθητικής πλάκας (Εικ. 3)

Τοποθετήστε τη βοηθητική πλάκα με τη χρήση της οπής στη βάση του εργαλείου και σφίξτε τη βίδα για να τη στερεώσετε.

Στερέωση πάγκου

Κατά τη μεταφορά του εργαλείου, η λαβή είναι ασφαλισμένη στη χαμηλωμένη θέση με την περόνη στοπ. Για να ελευθερώσετε την περόνη στοπ, χαμηλώστε λίγο τη λαβή και τραβήξτε την περόνη στοπ. (Εικ. 4)

Το εργαλείο αυτό πρέπει να στερεωθεί με τέσσερα μπουλόνια σε μια επίπεδη και σταθερή επιφάνεια με τη βοήθεια των οπών μπουλονιών που παρέχονται στη βάση του εργαλείου. Αυτό θα συμβάλει στη μείωση της πιθανότητας κλίσης και πρόκλησης τραυματισμού. (Εικ. 5)

ΠΕΡΙΓΡΑΦΗ ΛΕΙΤΟΥΡΓΙΑΣ

ΠΡΟΣΟΧΗ:

- Να βεβαιώνετε πάντοτε ότι το εργαλείο είναι σβηστό και αποσυνδεδεμένο από το ηλεκτρικό ρεύμα πριν ρυθμίζετε ή ελέγχετε κάποια λειτουργία του.

Προστατευτικό δίσκου (Εικ. 6)

Όταν χαμηλώνει η λαβή, το προστατευτικό δίσκου ανυψώνεται αυτόματα. Το προστατευτικό είναι ελατηριωτό, και έτσι επιστρέφει στην αρχική θέση του όταν ολοκληρωθεί την κοπή ή ανυψώσετε τη λαβή.

ΠΟΤΕ ΜΗΝ ΠΑΡΑΚΑΜΨΕΤΕ ΚΑΙ ΠΟΤΕ ΜΗΝ ΑΦΑΙΡΕΣΕΤΕ ΤΟ ΠΡΟΣΤΑΤΕΥΤΙΚΟ ΔΙΣΚΟΥ Ή ΤΟ ΕΛΑΤΗΡΙΟ ΠΟΥ ΥΠΑΡΧΕΙ ΠΡΟΣΔΕΜΕΝΟ ΣΤΟ ΠΡΟΣΤΑΤΕΥΤΙΚΟ.

Για την προσωπική ασφάλειά σας, να διατηρείτε πάντοτε το προστατευτικό δίσκου σε καλή κατάσταση. Οποιαδήποτε ανώμαλη λειτουργία του προστατευτικό δίσκου πρέπει να διορθώνεται αμέσως. Ελέγξτε για να βεβαιωθείτε για τη σωστή επιστροφή του ελατηρίου του προστατευτικού. ΜΗ ΧΡΗΣΙΜΟΠΟΙΕΙΤΕ ΠΟΤΕ ΤΟ ΕΡΓΑΛΕΙΟ ΑΝ ΤΟ ΠΡΟΣΤΑΤΕΥΤΙΚΟ ΔΙΣΚΟΥ Ή ΤΟ ΕΛΑΤΗΡΙΟ ΕΧΟΥΝ ΥΠΟΣΤΕΙ ΒΛΑΒΗ, ΕΙΝΑΙ ΕΛΑΤΤΩΜΑΤΙΚΑ Ή ΕΧΟΥΝ ΑΦΑΙΡΘΕΙ. ΑΥΤΟ ΕΙΝΑΙ ΕΞΑΙΡΕΤΙΚΑ ΕΠΙΚΙΝΔΥΝΟ ΚΑΙ ΜΠΟΡΕΙ ΝΑ ΠΡΟΚΑΛΕΣΕΙ ΣΟΒΑΡΟ ΠΡΟΣΩΠΙΚΟ ΤΡΑΥΜΑΤΙΣΜΟ.

Αν βρομίσει το διαφανές προστατευτικό δίσκου ή αν προσκολληθούν πριονίδια σε αυτό και δεν μπορείτε πλέον να βλέπετε εύκολα το δίσκο, αποσυνδέστε το πριόνι από την ηλεκτρική παροχή και καθαρίστε το προστατευτικό προσεχτικά με ένα βρεγμένο πανί. Μη χρησιμοποιείτε στο πλαστικό προστατευτικό διαλύτες ή οποιαδήποτε καθαριστικά με βάση το πετρέλαιο. Αν βρομίσει το διαφανές προστατευτικό δίσκου ή αν προσκολληθούν πριονίδια σε αυτό και δεν μπορείτε πλέον να βλέπετε εύκολα το δίσκο ή το τεμάχιο εργασίας, αποσυνδέστε το πριόνι από την ηλεκτρική παροχή και καθαρίστε το προστατευτικό προσεχτικά με ένα βρεγμένο πανί. Μη χρησιμοποιείτε στο πλαστικό προστατευτικό διαλύτες ή οποιαδήποτε καθαριστικά με βάση το πετρέλαιο.

Αν το προστατευτικό δίσκου είναι ιδιαίτερα βρόμικο και η ορατότητα μέσα από το προστατευτικό είναι μειωμένη, χρησιμοποιήστε το κλειδί που παρέχεται για να ξεσφίξετε το εξαγωνικό μπουλόνι που συγκρατεί το κεντρικό κάλυμμα. Περιστρέψτε το εξαγωνικό μπουλόνι αριστερόστροφα για να το ξεσφίξετε και ανυψώστε το προστατευτικό δίσκου και το κεντρικό κάλυμμα. Με το προστατευτικό δίσκου σε αυτήν τη θέση, ο καθαρισμός μπορεί να είναι πιο ολοκληρωμένος και αποτελεσματικός. Όταν ολοκληρωθεί ο καθαρισμός, ακολουθήστε την παραπάνω διαδικασία με αντίστροφη σειρά και ασφαλίστε το μπουλόνι. Μην αφαιρέσετε το ελατήριο που συγκρατεί το προστατευτικό δίσκου. Αν το προστατευτικό αποχρωματιστεί με την πάροδο του χρόνου ή με την έκθεση σε υπερυπόδη ακτινοβολία, επικοινωνήστε με το κέντρο εξυπηρέτησης της Makita για καινούργιο προστατευτικό. ΜΗΝ ΠΑΡΑΚΑΜΨΕΤΕ ΚΑΙ ΜΗΝ ΑΦΑΙΡΕΣΕΤΕ ΤΟ ΠΡΟΣΤΑΤΕΥΤΙΚΟ. (Εικ. 7)

Αρμός κοπής (Εικ. 8)

Το εργαλείο αυτό παρέχεται με αρμό κοπής στη βάση περιστροφής για να ελαχιστοποιείται το σχίσιμο στην πλευρά εξόδου μιας κοπής. Αν η εγκοπή κοπής δεν έχει ήδη κοπεί στον αρμό κοπής στο εργοστάσιο, πρέπει να κόψετε την εγκοπή πριν χρησιμοποιήσετε το εργαλείο για να κόψετε τεμάχιο εργασίας. Ενεργοποιήστε το εργαλείο και χαμηλώστε απαλά το δίσκο για να κόψετε μια εγκοπή στον αρμό κοπής.

Διατήρηση μέγιστης ικανότητας κοπής

Το εργαλείο αυτό είναι ρυθμισμένο εργοστασιακά για να παρέχει τη μέγιστη ικανότητα κοπής για δισκοπρίονο 255 mm.

Όταν τοποθετείτε καινούργιο δίσκο, να ελέγχετε πάντοτε τη χαμηλότερη θέση ορίου του δίσκου και, αν απαιτείται, ρυθμίστε την ως εξής:

Πρώτα, αποσυνδέστε το εργαλείο από το ηλεκτρικό ρεύμα. Χαμηλώστε εντελώς τη λαβή. Χρησιμοποιήστε το κλειδί για να περιστρέψετε το μπουλόνι ρύθμισης έως ότου η περιφέρεια του δίσκου να εκτείνεται λίγο κάτω από την άνω επιφάνεια της βάσης περιστροφής στο σημείο όπου η μπροστινή όψη του οδηγού συναντά την άνω επιφάνεια της βάσης περιστροφής. (Εικ. 9)

Με το εργαλείο αποσυνδεδεμένο από την ηλεκτρική παροχή, περιστρέψτε το δίσκο με το χέρι ενώ κρατάτε τη λαβή εντελώς προς τα κάτω ώστε να είστε σίγουροι ότι ο δίσκος δεν έρχεται σε επαφή με οποιοδήποτε τμήμα της κάτω βάσης. Ρυθμίστε ξανά λίγο, αν απαιτείται. (Εικ. 10)

ΠΡΟΣΟΧΗ:

- Μετά την τοποθέτηση καινούργιου δίσκου, να ββαιώνετε πάντοτε ότι ο δίσκος δεν έρχεται σε επαφή με κανένα τμήμα της κάτω βάσης όταν η λαβή είναι εντελώς χαμηλωμένη. Αυτό να το πραγματοποιείτε πάντοτε με το εργαλείο αποσυνδεδεμένο από την ηλεκτρική παροχή.

Ρύθμιση της γωνίας κοπής θηλυκώματος (Εικ. 11)

Περιστρέψτε τη λαβή αριστερόστροφα για να την ξεσφίξετε. Γυρίστε τη βάση περιστροφής ενώ πιέζετε προς τα κάτω το μοχλό ασφάλισης. Όταν έχετε μετακινήσει τη λαβή στη θέση όπου ο δείκτης είναι στραμμένος στην επιθυμητή γωνία της κλίμακας κοπής θηλυκώματος, ασφαλίστε καλά τη λαβή δεξιόστροφα.

ΠΡΟΣΟΧΗ:

- Όταν γυρίζετε τη βάση περιστροφής, να φροντίζετε ώστε να ανυψώνετε εντελώς τη λαβή.
- Μετά την αλλαγή της γωνίας κοπής θηλυκώματος, να ασφαλίσετε πάντοτε τη βάση περιστροφής σφίγγοντας καλά τη λαβή.

Ρύθμιση της γωνίας λοξοτομής (Εικ. 12 και 13)

Για να ρυθμίσετε τη γωνία λοξοτομής, ξεσφίξτε το κουμπί στο πίσω μέρος του εργαλείου περιστρέφοντάς το αριστερόστροφα.

Πιέστε τη λαβή προς τα αριστερά για να γείρετε το δισκοπρίονο έως ότου ο δείκτης να είναι στραμμένος στην επιθυμητή γωνία της κλίμακας λοξοτομής.

Κατόπιν σφίξτε το κουμπί περιστρέφοντάς το σταθερά δεξιόστροφα για να ασφαλίσετε το βραχίονα.

ΠΡΟΣΟΧΗ:

- Όταν γέρνετε το δισκοπρίονο, να φροντίζετε ώστε να ανυψώνετε εντελώς τη λαβή.
- Μετά την αλλαγή της γωνίας λοξοτομής, να ασφαλίσετε πάντοτε το βραχίονα σφίγγοντας το κουμπί δεξιόστροφα.

Δράση διακόπτη

ΠΡΟΣΟΧΗ:

- Πριν συνδέετε το εργαλείο, πάντοτε να ελέγχετε ότι η σκανδάλη-διακόπτης ενεργοποιείται κανονικά και επιστρέφει στη θέση OFF όταν την αφήνετε.

Για ευρωπαϊκές χώρες (Εικ. 14)

Για να ξεκινήσετε τη λειτουργία του εργαλείου, πιέστε το μοχλό προς τα δεξιά και κατόπιν πατήστε τη σκανδάλη-διακόπτη. Για να σταματήσετε το εργαλείο, αφήστε τη σκανδάλη-διακόπτη.

Για όλες τις χώρες εκτός Ευρώπης (Εικ. 15)

Για να ξεκινήσετε το εργαλείο, απλά πιέστε τη σκανδάλη-διακόπτη. Για να σταματήσετε το εργαλείο, αφήστε τη σκανδάλη-διακόπτη.

ΠΡΟΕΙΔΟΠΟΙΗΣΗ:

- Μη χρησιμοποιείτε ΠΟΤΕ το εργαλείο χωρίς να λειτουργεί πλήρως η σκανδάλη-διακόπτης. Τα εργαλεία με χαλασμένο διακόπτη είναι ΕΞΑΙΡΕΤΙΚΑ ΕΠΙΚΙΝΔΥΝΑ και πρέπει να επισκευάζονται πριν χρησιμοποιηθούν ξανά.

ΣΥΝΑΡΜΟΛΟΓΗΣΗ

ΠΡΟΣΟΧΗ:

- Να βεβαιώνετε πάντοτε ότι το εργαλείο είναι σβηστό και αποσυνδεδεμένο από το ηλεκτρικό ρεύμα πριν εκτελέσετε οποιαδήποτε εργασία σε αυτό.

Τοποθέτηση ή αφαίρεση του δισκοπρίνου

ΠΡΟΣΟΧΗ:

- Να βεβαιώνετε πάντοτε ότι το εργαλείο είναι σβηστό και αποσυνδεδεμένο από το ηλεκτρικό ρεύμα πριν τοποθετήσετε ή αφαιρέσετε το δίσκο.
- Να χρησιμοποιείτε μόνο το παρεχόμενο κλειδί της Makita για να τοποθετήσετε ή για να αφαιρέσετε το δίσκο. Αν δεν το κάνετε αυτό, μπορεί να έχει ως αποτέλεσμα υπερβολικό ή ανεπαρκές σφίξιμο του εξαγωνικού μπουλονιού. Αυτό μπορεί να προκαλέσει τραυματισμό.

Όταν αφαιρείτε ή τοποθετείτε το δίσκο, να κρατάτε τη λαβή στην ανυψωμένη θέση. (Εικ. 16)

Για να αφαιρέσετε το δίσκο, χρησιμοποιήστε το κλειδί για να ξεσφίξετε το εξαγωνικό μπουλόνι που συγκρατεί το κεντρικό κάλυμμα, γυρίζοντάς το αριστερόστροφα. Ανυψώστε το προστατευτικό δίσκου και το κεντρικό κάλυμμα. (Εικ. 17)

Πιέστε το κλειδωμα άξονα ώστε να κλειδώσετε την άτρακτο και χρησιμοποιήστε το κλειδί για να ξεσφίξετε το εξαγωνικό μπουλόνι, γυρίζοντάς το δεξιόστροφα. Κατόπιν, αφαιρέστε το εξαγωνικό μπουλόνι, την εξωτερική φλάντζα και το δίσκο. (Εικ. 18)

Για να τοποθετήσετε το δίσκο, στερεώστε τον προσεχτικά στην άτρακτο, αφού βεβαιωθείτε ότι η κατεύθυνση του βέλους στην επιφάνεια του δίσκου αντιστοιχεί στην κατεύθυνση του βέλους στη θήκη του δίσκου. Τοποθετήστε την εξωτερική φλάντζα και το εξαγωνικό μπουλόνι και κατόπιν χρησιμοποιήστε το κλειδί για να σφίξετε καλά το εξαγωνικό μπουλόνι αριστερόστροφα ενώ πιέζετε το κλειδωμα άξονα. (Εικ. 19 και 20)

ΠΡΟΣΟΧΗ:

- Ο δακτύλιος εξωτερικής διαμέτρου 25,4 mm ή 30 mm τοποθετείται εργοστασιακά στην άτρακτο. Πριν στερεώσετε το δίσκο επάνω στην άτρακτο, να βεβαιώνετε πάντοτε ότι είναι τοποθετημένος στην

άτρακτο ο σωστός δακτύλιος για την οπή άξονα του δίσκου που σκοπεύετε να χρησιμοποιήσετε.

Τοποθετήστε την εξωτερική φλάντζα και το εξαγωνικό μπουλόνι και κατόπιν χρησιμοποιήστε το κλειδί για να σφίξετε καλά το εξαγωνικό μπουλόνι αριστερόστροφα ενώ πιέζετε το κλειδωμα άξονα.

Επιστρέψτε το προστατευτικό δίσκου και το κεντρικό κάλυμμα στην αρχική τους θέση. Κατόπιν, σφίξετε το εξαγωνικό μπουλόνι δεξιόστροφα για να ασφαλίσετε το κεντρικό κάλυμμα. Χαμηλώστε τη λαβή για να βεβαιωθείτε ότι το προστατευτικό δίσκου κινείται σωστά. Βεβαιωθείτε ότι το κλειδωμα άξονα έχει ελευθερώσει την άτρακτο πριν πραγματοποιήσετε κοπές.

Βοηθητικός οδηγός (μόνο για Ευρωπαϊκές χώρες) (Εικ. 21)

Το παρόν εργαλείο είναι εξοπλισμένο με βοηθητικό οδηγό. Τοποθετείτε συνήθως τον βοηθητικό οδηγό στο εσωτερικό. Ωστόσο, κατά την εκτέλεση αριστερών λοξοτομών, γυρίστε τον προς τα έξω.

⚠️ ΠΡΟΣΟΧΗ:

- Κατά την εκτέλεση αριστερών λοξοτομών, γυρίστε τον βοηθητικό οδηγό προς τα έξω. Διαφορετικά, θα έρθει σε επαφή με τον δίσκο ή με ένα τμήμα του εργαλείου, προκαλώντας πιθανώς σοβαρό τραυματισμό στον χειριστή.

Σάκος σκόνης (Εικ. 22 και 23)

Η χρήση του σάκου σκόνης καθιστά καθαρές τις λειτουργίες κοπής και εύκολη τη συλλογή της σκόνης. Για να συνδέσετε το σάκο σκόνης, προσαρμόστε το στο στόμιο σκόνης.

Όταν ο σάκος σκόνης είναι μισογεμάτος, βγάλτε το σάκο σκόνης από το εργαλείο και εμβάψτε τον συνδετήρα προς τα έξω. Αδειάστε τα περιεχόμενα του σάκου σκόνης, χτυπώντας τον ελαφρά για να αφαιρέσετε τα σωματίδια που υπάρχουν προσκολλημένα στο εσωτερικό του ίσως να εμποδίζουν την περαιτέρω συλλογή.

ΣΗΜΕΙΩΣΗ:

Αν συνδέσετε ηλεκτρική σκούπα της Makita στο πριόνι σας, μπορείτε να διεξάγετε εργασίες πιο αποδοτικά και πιο καθαρά.

Στερέωση τεμαχίου εργασίας

ΠΡΟΕΙΔΟΠΟΙΗΣΗ:

- Είναι εξαιρετικά σημαντικό να στερεώνετε πάντοτε το τεμάχιο εργασίας σωστά και καλά με τη μέγκενη. Αν δεν το κάνετε αυτό, μπορεί να προκληθεί ζημιά στο εργαλείο ή/και καταστροφή του τεμαχίου εργασίας. **ΙΣΩΣ ΝΑ ΠΡΟΚΛΗΘΕΙ ΚΑΙ ΠΡΟΣΩΠΙΚΟΣ ΤΡΑΥΜΑΤΙΣΜΟΣ.** Επίσης, μετά από μια λειτουργία κοπής, ΜΗΝ ανυψώνετε το δίσκο έως ότου αυτός να ακινητοποιηθεί εντελώς.

ΠΡΟΣΟΧΗ:

- Όταν κόβετε μακριά τεμάχια εργασίας, να χρησιμοποιείτε στηρίγματα που φτάνουν το ύψος της άνω επιφάνειας της βάσης περιστροφής. Μη βασίζεστε αποκλειστικά και μόνο στην κάθετη μέγκενη ή/και την οριζόντια μέγκενη για να στερεώσετε το τεμάχιο εργασίας. Το λεπτό υλικό τείνει να κάμπτεται. Να στηρίζετε το

τεμάχιο εργασίας σε ολόκληρο το μήκος του για να αποφευχете το κίνδυνο πιασίματος του δίσκου και το ΚΛΟΤΣΗΜΑ. (Εικ. 24)

Κάθετη μέγκενη (Εικ. 25)

Μπορείτε να τοποθετήσετε την κάθετη μέγκενη σε δύο θέσεις, είτε στην αριστερή ή στη δεξιά πλευρά του οδηγού. Εισάγετε τη ράβδο μέγκενης μέσα στην οπή στον οδηγό και σφίξτε τη βίδα για να στερεώσετε τη ράβδο μέγκενης.

Τοποθετήστε το βραχίονα μέγκενης ανάλογα με το πάχος και το σχήμα του τεμαχίου εργασίας και στερεώστε το βραχίονα μέγκενης σφίγγοντας τη βίδα. Βεβαιωθείτε ότι κανένα μέρος του εργαλείου δεν έρχεται σε επαφή με τη μέγκενη όταν χαμηλώνετε εντελώς τη λαβή. Αν κάποιο μέρος έρθει σε επαφή με τη μέγκενη, τοποθετήστε τη μέγκενη σε νέα θέση.

Πιέστε το τεμάχιο εργασίας επίπεδα επάνω στον οδηγό και τη βάση περιστροφής. Τοποθετήστε το τεμάχιο εργασίας στην επιθυμητή θέση κοπής και στερεώστε το καλά σφίγγοντας το κουμπί μέγκενης.

ΠΡΟΣΟΧΗ:

- Το τεμάχιο εργασίας πρέπει να είναι καλά στερεωμένο επάνω στη βάση περιστροφής και τον οδηγό με τη μέγκενη, κατά τη διάρκεια όλων των λειτουργιών.

ΛΕΙΤΟΥΡΓΙΑ (Εικ. 26)

ΠΡΟΣΟΧΗ:

- Πριν από τη χρήση, να βεβαιώνετε ότι ελευθερώνετε τη λαβή από τη χαμηλωμένη θέση τραβώντας την περόνη στοπ.
- Να βεβαιώνετε ότι ο δίσκος δεν ακουμπάει το τεμάχιο εργασίας, κτλ. πριν ενεργοποιείτε το διακόπτη λειτουργίας.
- Μην ασκείτε υπερβολική πίεση στη λαβή κατά τη κοπή. Η υπερβολική δύναμη ίσως να έχει ως αποτέλεσμα υπερφόρτωση του μοτέρ ή/και μειωμένη απόδοση κοπής. Να πιέζετε τη λαβή προς τα κάτω μόνο με όση δύναμη απαιτείται για ομαλή κοπή, χωρίς σημαντική μείωση της ταχύτητας του δίσκου.
- Να πιέζετε απαλά προς τα κάτω τη λαβή για να πραγματοποιείται την κοπή. Αν πιέσετε προς τα κάτω το δίσκο με δύναμη ή αν ασκήσετε πλευρική δύναμη, ο δίσκος δονείται και αφήνει σημάδι (σημάδι πριονιού) στο τεμάχιο εργασίας, ενώ θα μειωθεί και η ακρίβεια της κοπής.

1. Κοπή με πίεση (Εικ. 27)

Στερεώστε το τεμάχιο εργασίας με τη μέγκενη. Ενεργοποιήστε το εργαλείο χωρίς ο δίσκος να έρχεται σε επαφή με ο,τιδήποτε και περιμένετε έως ότου ο δίσκος φτάσει στην πλήρη ταχύτητά του πριν χαμηλώσετε το εργαλείο. Κατόπιν, χαμηλώστε απαλά τη λαβή στην πλήρως χαμηλωμένη θέση για να κόψετε το τεμάχιο εργασίας. Όταν ολοκληρώσετε την κοπή, σβήστε το εργαλείο και ΠΕΡΙΜΕΝΕΤΕ ΕΩΣ ΟΤΟΥ Ο ΔΙΣΚΟΣ ΑΚΙΝΗΤΟΠΟΙΗΘΕΙ ΕΝΤΕΛΩΣ πριν επιστρέψετε το δίσκο στην πλήρως ανυψωμένη θέση του.

2. Κοπή θηλυκώματων

Ανατρέξτε στην παράγραφο “Ρύθμιση γωνίας κοπής θηλυκώματος”.

3. Λοξοτομή (Εικ. 28)

Ξεφίξτε το κουμπί και γείρετε το δισκοπρίνο για να ρυθμίσετε τη γωνία λοξοτομής. (Ανατρέξτε στην παράγραφο “Ρύθμιση γωνίας λοξοτομής”). Βεβαιωθείτε να ξανασφίξετε καλά το κουμπί για να επιλέξετε με ασφάλεια τη γωνία λοξοτομής. Στερεώστε το τεμάχιο εργασίας με τη μέγκενη. Ενεργοποιήστε το εργαλείο χωρίς ο δίσκος να έρχεται σε επαφή με ο,τιδήποτε και περιμένετε έως ότου ο δίσκος φτάσει στην πλήρη ταχύτητά του. Κατόπιν, χαμηλώστε απαλά τη λαβή στην πλήρως χαμηλωμένη θέση ενώ ασκείτε πίεση παράλληλα με το δίσκο. Όταν ολοκληρώσετε την κοπή, σβήστε το εργαλείο και ΠΕΡΙΜΕΝΕΤΕ ΕΩΣ ΟΤΟΥ Ο ΔΙΣΚΟΣ ΑΚΙΝΗΤΟΠΟΙΗΘΕΙ ΕΝΤΕΛΩΣ πριν επιστρέψετε το δίσκο στην πλήρως ανυψωμένη θέση του.

ΠΡΟΣΟΧΗ:

- Να βεβαιώνετε πάντοτε ότι ο δίσκος θα κινηθεί προς τα κάτω στην κατεύθυνση λοξοτομής κατά τη διάρκεια λοξοτομής. Κρατήστε τα χέρια σας μακριά από τη διαδρομή του δισκοπρίνου.
- Κατά τη διάρκεια λοξοτομής, ίσως το αποκομμένο κομμάτι να ακουμπήσει επάνω στην πλευρά του δίσκου. Αν ανυψώσετε το δίσκο ενώ αυτός εξακολουθεί να περιστρέφεται, το κομμάτι αυτό ίσως να πιαστεί στο δίσκο και να προκαλέσει την εκτόξευση θραυσμάτων, γεγονός που είναι επικίνδυνο. Πρέπει να ανυψώσετε το δίσκο ΜΟΝΟ αφού αυτός ακινητοποιηθεί εντελώς.
- Όταν πιέζετε προς τα κάτω τη λαβή, να ασκείτε δύναμη παράλληλα προς το δίσκο. Αν η δύναμη δεν είναι παράλληλη προς το δίσκο κατά τη διάρκεια κοπής, η γωνία του δίσκου μπορεί να μετατοπιστεί και να μειωθεί η ακρίβεια της κοπής.
- (Μόνο για ευρωπαϊκές χώρες) πάντα να τοποθετείτε τον βοηθητικό οδηγό στο εξωτερικό κατά την εκτέλεση αριστερών λοξοτομών.

4. Σύνθετη κοπή

Η σύνθετη κοπή είναι μια διαδικασία κατά την οποία η γωνία λοξοτομής πραγματοποιείται ταυτόχρονα με τη γωνία κοπής θηλυκώματος στο τεμάχιο εργασίας. Η σύνθετη κοπή μπορεί να πραγματοποιηθεί στη γωνία που παρουσιάζεται στον παρακάτω πίνακα.

Γωνία λοξοτομής	Γωνία κοπής θηλυκώματος
45°	Αριστερά και δεξιά 0 - 45°

006366

Όταν πραγματοποιείτε σύνθετη κοπή, ανατρέξτε στις περιγραφές στις παραγράφους “Κοπή με πίεση”, “Κοπή θηλυκώματος” και “Λοξοτομή”.

5. Κοπή προεξοχής αλουμινίου (Εικ. 29)

Όταν στερεώνετε προεξοχές αλουμινίου, να χρησιμοποιείτε τεμάχια αποστάτη ή μεταλλικά κομμάτια όπως απεικονίζεται στην εικόνα για να αποτρέψετε την παραμόρφωση του αλουμινίου. Να χρησιμοποιείτε λιπαντικό κοπής όταν κόβετε προεξοχές αλουμινίου για να αποτρέψετε τη συσσώρευση υλικών αλουμινίου στο δίσκο.

ΠΡΟΣΟΧΗ:

- Μην επιχειρήσετε ποτέ να κόψετε παχιές ή στρογγυλές προεξοχές αλουμινίου. Οι παχιές προεξοχές αλουμινίου μπορεί να ελευθερωθούν κατά τη

λειτουργία και οι στρογγυλές προεξοχές αλουμινίου δεν μπορούν να στερεωθούν καλά με αυτό το εργαλείο.

6. Επένδυση ξύλου

Η χρήση επένδυσης ξύλου βοηθάει στην εξασφάλιση κοπών χωρίς σκληρές στα τεμάχια εργασίας. Στερεώστε μια επένδυση ξύλου στον οδηγό με τη βοήθεια των οπών στον οδηγό. Δείτε την εικόνα με τις διαστάσεις για τις προτεινόμενες επενδύσεις ξύλου. (Εικ. 30)

ΠΡΟΣΟΧΗ:

- Να χρησιμοποιείτε ευθεία ξύλα με ομοιόμορφο πάχος ως επένδυση ξύλου.
- Να χρησιμοποιείτε βίδες για να στερεώσετε την επένδυση ξύλου στον οδηγό. Πρέπει να τοποθετήσετε τις βίδες με τρόπο ώστε οι κεφαλές βιδών να βρίσκονται κάτω από την επιφάνεια της επένδυσης ξύλου.
- Όταν η επένδυση ξύλου είναι στερεωμένη, μη γυρίζετε τη βάση περιστροφής με χαμηλωμένη τη λαβή. Θα προκληθεί ζημιά στο δίσκο ή/και την επένδυση ξύλου.
- Το μέγιστο πλάτος κοπής θα είναι μικρότερο κατά το πλάτος της επένδυσης ξύλου.

7. Επαναλαμβανόμενη κοπή ισομήκων κομματιών (Εικ. 31)

Όταν κόβετε αρκετά κομμάτια στο ίδιο μήκος, το οποίο κυμαίνεται από 240 mm έως 380 mm, να χρησιμοποιείτε την πλάκα συγκράτησης (προαιρετικό αξεσουάρ) που συμβάλλει στην πιο αποδοτική λειτουργία. Τοποθετήστε την πλάκα συγκράτησης στην υποδοχή (προαιρετικό αξεσουάρ) όπως απεικονίζεται στην εικόνα. Ευθυγραμμίστε τη γραμμή κοπής στο τεμάχιο εργασίας σας με την αριστερή ή τη δεξιά πλευρά της εγκοπής στον αρμό κοπής, και ενώ συγκρατείτε το τεμάχιο εργασίας για να μην κινείται, μετακινήστε την πλάκα συγκράτησης με τρόπο ώστε να εφαρμόζει επάνω στο άκρο του τεμαχίου εργασίας. Κατόπιν, στερεώστε την πλάκα συγκράτησης με τη βίδα. Όταν δεν χρησιμοποιείτε την πλάκα συγκράτησης, ξεσφίξτε τη βίδα και γυρίστε την πλάκα συγκράτησης ώστε να μην εμποδίζει.

Μεταφορά εργαλείου (Εικ. 32)

Να βεβαιώνετε ότι το εργαλείο είναι αποσυνδεδεμένο από την ηλεκτρική παροχή. Στερεώστε το δίσκο σε γωνία λοξοτομής 0° και τη βάση περιστροφής στην πλήρως αριστερή γωνία κοπής θηλυκώματος. Χαμηλώστε εντελώς τη λαβή και κλειδώστε τη στη χαμηλωμένη θέση πιέζοντας προς τα μέσα την περόνη στοπ. Μεταφέρετε το εργαλείο από τη λαβή μεταφοράς όπως απεικονίζεται στην εικόνα. Αν αφαιρέσετε τις υποδοχές, το σάκο σκόνης κτλ., θα μπορείτε να μεταφέρετε το εργαλείο πιο εύκολα. (Εικ. 33)

ΠΡΟΣΟΧΗ:

- Να στερεώνετε πάντοτε όλα τα κινούμενα μέρη πριν μεταφέρετε το εργαλείο.
- Η περόνη στοπ διατίθεται μόνο για σκοπούς μεταφοράς και αποθήκευσης, και όχι για λειτουργίες κοπής.

ΣΥΝΤΗΡΗΣΗ

ΠΡΟΣΟΧΗ:

- Να βεβαιώνετε πάντοτε ότι το εργαλείο είναι σβηστό και αποσυνδεδεμένο από το ηλεκτρικό ρεύμα πριν

εκτελέσετε οποιαδήποτε εργασία ελέγχου ή συντήρησης σε αυτό.

- Μην χρησιμοποιήσετε βενζίνη, βενζόλη, διαλυτικό, αλκοόλη ή κάτι παρόμοιο. Μπορεί να προκληθεί αποχρωματισμός, παραμόρφωση ή ρωγμές.

ΠΡΟΕΙΔΩΠΙΣΗ:

- Να βεβαιώνετε πάντοτε ότι ο δίσκος είναι αιχμηρός και καθαρός για να έχετε τη βέλτιστη και ασφαλέστερη απόδοση.

Ρύθμιση της γωνίας κοπής

Το εργαλείο ρυθμίζεται και ευθυγραμμίζεται προσεχτικά στο εργοστάσιο, αλλά ο απρόσχετος χειρισμός ίσως να επηρεάσει την ευθυγράμμιση. Αν το εργαλείο σας δεν είναι σωστά ευθυγραμμισμένο, εκτελέστε τις ακόλουθες διαδικασίες:

1. Γωνία κοπής θηλυκώματος (Εικ. 34)

Ξεσφίξτε τη λαβή που στερεώνει τη βάση περιστροφής. Γυρίστε τη βάση περιστροφής ώστε ο δείκτης να είναι στραμμένος στις 0° στην κλίμακα κοπής θηλυκώματος. Με τη βοήθεια του κλειδιού, σφίξτε τη λαβή και ξεσφίξτε τα εξαγωνικά μπουλόνια που στερεώνουν τον οδηγό. Αν ο δείκτης δεν είναι στραμμένος στις 0° στην κλίμακα κοπής θηλυκώματος, ξεσφίξτε τη βίδα που στερεώνει το δείκτη και κατόπιν μετακινήστε και στερεώστε την πλάκα δείκτη ώστε ο δείκτης να είναι στραμμένος στις 0° στην κλίμακα κοπής θηλυκώματος. Χαμηλώστε εντελώς τη λαβή και κλειδώστε τη στη χαμηλωμένη θέση πιέζοντας προς τα μέσα την περόνη στοπ. Ευθυγραμμίστε την πλευρά του δίσκου με την πρόσωφη του οδηγού με τη βοήθεια τριγωνικού οδηγού, κανόνα, κτλ. Κατόπιν, στερεώστε καλά τα εξαγωνικά μπουλόνια στον οδηγό με τη σειρά ξεκινώντας από τη δεξιά πλευρά. (Εικ. 35)

2. Γωνία λοξοτομής

(1) γωνία λοξοτομής 0° (Εικ. 36)

Χαμηλώστε εντελώς τη λαβή και κλειδώστε τη στη χαμηλωμένη θέση πιέζοντας προς τα μέσα την περόνη στοπ. Ξεσφίξτε το κουμπί στο πίσω μέρος του εργαλείου. Ξεσφίξτε το εξαγωνικό παξιμάδι και περιστρέψτε το μπουλόνι ρύθμισης λοξοτομής 0° στη δεξιά πλευρά της βάσης περιστροφής κατά δύο ή τρεις στροφές δεξιόστροφα για να γείρετε το δίσκο προς τα δεξιά.

Ευθυγραμμίστε προσεκτικά την πλευρά του δίσκου με την άνω επιφάνεια της βάσης περιστροφής με τη βοήθεια τριγωνικού οδηγού, κανόνα, κτλ., περιστρέφοντας το μπουλόνι ρύθμισης γωνίας λοξοτομής 0° αριστερόστροφα. Κατόπιν σφίξτε το εξαγωνικό παξιμάδι για να στερεώσετε το μπουλόνι ρύθμισης γωνίας λοξοτομής 0° και σφίξτε καλά το κουμπί.

Βεβαιωθείτε ότι ο δείκτης στο βραχίονα είναι στραμμένος στις 0° της κλίμακας λοξοτομής. Αν ο δείκτης δεν είναι στραμμένος στις 0° της κλίμακας λοξοτομής, ξεσφίξτε τη βίδα που στερεώνει το δείκτη και μετακινήστε και στερεώστε την πλάκα δείκτη με τρόπο ώστε ο δείκτης να είναι στραμμένος στις 0° στην κλίμακα λοξοτομής. (Εικ. 37 και 38)

(2) γωνία λοξοτομής 45° (Εικ. 39)

Να ρυθμίζετε τη γωνία λοξοτομής 45° μόνο αφού έχετε πραγματοποιήσει ρύθμιση γωνίας λοξοτομής 0°. Για

να ρυθμίσετε την αριστερή γωνία λοξοτομής 45°, ξεσφίξτε το κουμπί και γείρετε το δίσκο εντελώς προς τα αριστερά. Βεβαιωθείτε ότι ο δείκτης στο βραχίονα είναι στραμμένος στις 45° της κλίμακας λοξοτομής στο βραχίονα. Αν ο δείκτης δεν είναι στραμμένος στις 45°, περιστρέψτε το μπουλόνι ρύθμισης γωνίας λοξοτομής 45° στην αριστερή πλευρά του βραχίονα έως ότου ο δείκτης να είναι στραμμένος στις 45°.

Το τεχνικό αρχείο σύμφωνα με την 2006/42/EK είναι διαθέσιμο από:

Makita, Jan-Baptist Vinkstraat 2, 3070, Belgium

30. 5. 2014



Yasushi Fukaya

Διευθυντής

Makita, Jan-Baptist Vinkstraat 2, 3070, Belgium

Αλλαγή καρβουνακίων (Εικ. 40)

Να αφαιρείτε και να ελέγχετε τακτικά τα καρβουνάκια. Να αντικαθιστάτε τα καρβουνάκια όταν έχουν φθαρεί έως τα 3 mm σε μήκος. Να διατηρείτε τα καρβουνάκια καθαρά και ελεύθερα για να γλιστρούν στις υποδοχές. Πρέπει να αλλάζετε ταυτόχρονα και τα δύο καρβουνάκια. Να χρησιμοποιείτε μόνο καρβουνάκια ίδιου τύπου.

Με τη βοήθεια ενός κατασαβιδιού, βγάλτε τα καπάκια υποδοχής για τα καρβουνάκια. Βγάλτε τα φθαρμένα καρβουνάκια, τοποθετήστε τα καινούργια και ασφαλίστε τα καπάκια υποδοχής για τα καρβουνάκια. (Εικ. 41)

Μετά τη χρήση

- Μετά τη χρήση, σκουπίστε τα θραύσματα και τη σκόνη που έχουν προσκολληθεί επάνω στο εργαλείο με ένα πανί ή παρόμοιο υλικό. Να διατηρείτε τον οδηγό δίσκου καθαρό σύμφωνα με τις οδηγίες στην παράγραφο "Οδηγός δίσκου". Να λιπαίνετε τα ολισθαίνοντα τμήματα με μηχανέλαιο για να αποφεύγετε το σκούρισμα.

Για να διατηρείται η ΑΣΦΑΛΕΙΑ και η ΑΞΙΟΠΙΣΤΙΑ του προϊόντος, οι εργασίες επισκευής, καθώς και οποιαδήποτε άλλη εργασία συντήρησης ή ρύθμισης, θα πρέπει να εκτελούνται σε εξουσιοδοτημένα κέντρα εξυπηρέτησης της Makita, και πάντοτε με τη χρήση ανταλλακτικών της Makita.

Θόρυβος

ENG905-1

Το σύνθετο σταθμισμένο επίπεδο θορύβου που έχει καθοριστεί σύμφωνα με την EN61029:

Επίπεδο ηχητικής πίεσης (L_{pA}): 92 dB (A)

Επίπεδο ηχητικής ισχύος (L_{WA}): 105 dB (A)

Αβεβαιότητα (K): 3 dB (A)

Να φοράτε ωτοασπίδες.

Για τις ευρωπαϊκές χώρες μόνο

ENH003-15

EK – Δήλωση συμμόρφωσης

Η Makita δηλώνει ότι το παρακάτω μηχάνημα(τα):

Όνομασία μηχανήματος:

Δισκοπρίονο πάγκου

Αρ. Μοντέλου/Τύπος: MLS100

Συμμορφώνονται με τις ακόλουθες Ευρωπαϊκές

Οδηγίες:

2006/42/EK

Κατασκευάζονται σύμφωνα με το παρακάτω πρότυπο ή τυποποιημένα έγγραφα:

EN61029

Makita Jan-Baptist Vinkstraat 2, 3070, Belgium
Makita Corporation Anjo, Aichi, Japan

JM2308C024

www.makita.com

ALA