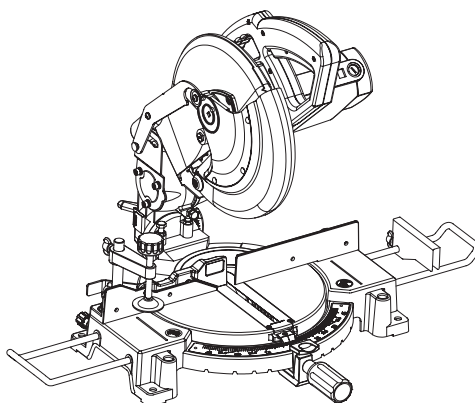
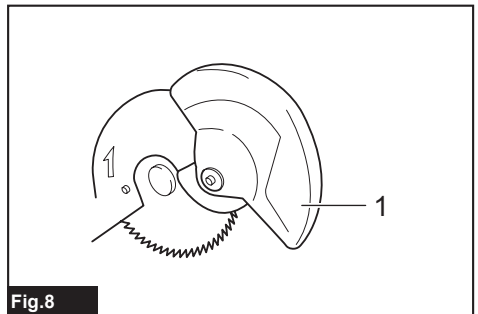
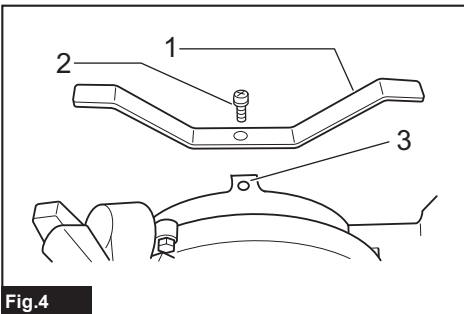
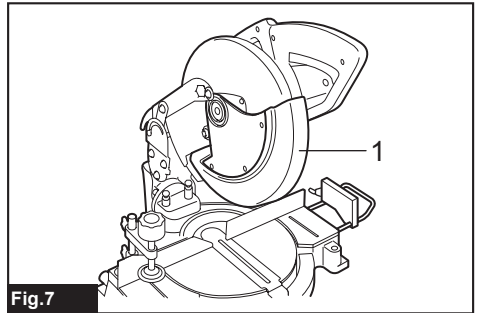
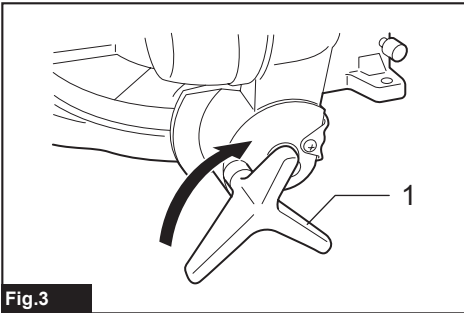
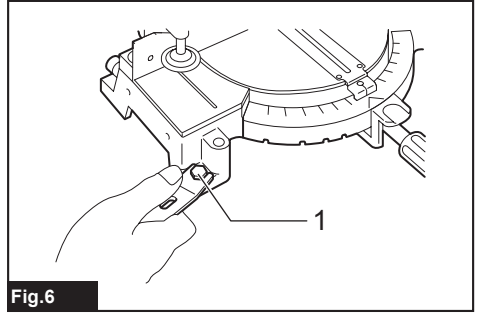
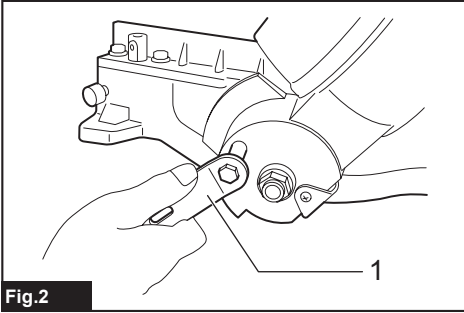
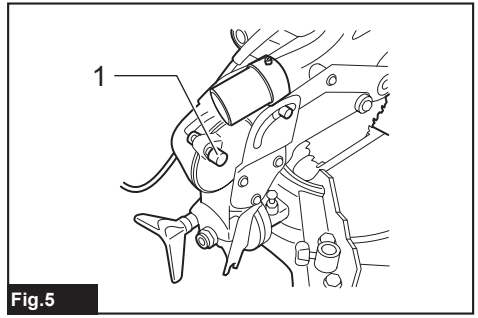
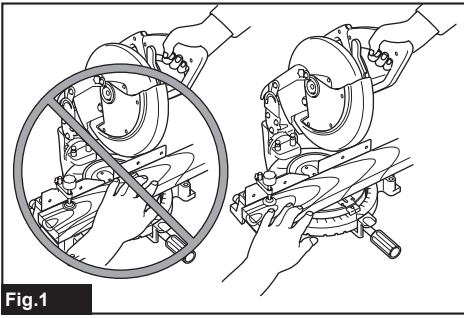




EN	Compound Miter Saw	INSTRUCTION MANUAL	8
FR	Scie à Coupe d'Onglet	MANUEL D'INSTRUCTIONS	17
DE	Kapp-und Gehrungssäge	BETRIEBSANLEITUNG	27
IT	Troncatrice composita	ISTRUZIONI PER L'USO	37
NL	Samengesteld-verstekzaag	GEBRUIKSAANWIJZING	47
ES	Sierra De Inglete Mixta	MANUAL DE INSTRUCCIONES	57
PT	Serra de Esquadria	MANUAL DE INSTRUÇÕES	67
DA	Kombineret geringsav	BRUGSANVISNING	77
EL	Πριόνι σύνθετης λοξότμησης	ΕΓΧΕΙΡΙΔΙΟ ΟΔΗΓΙΩΝ	86
TR	Gönye Kesme Makinası	KULLANMA KILAVUZU	96

M2300





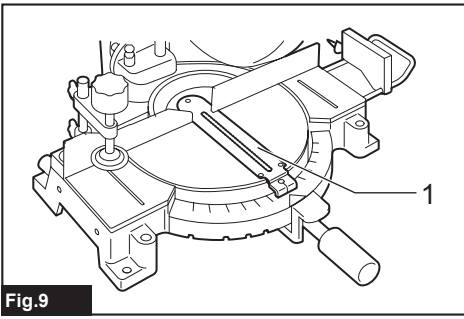


Fig.9

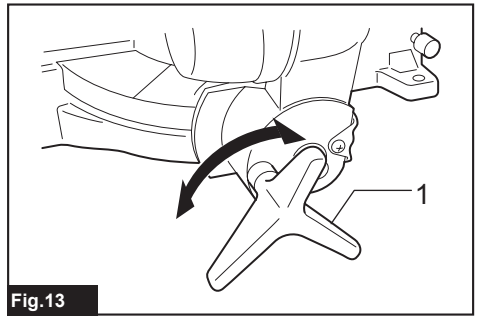


Fig.13

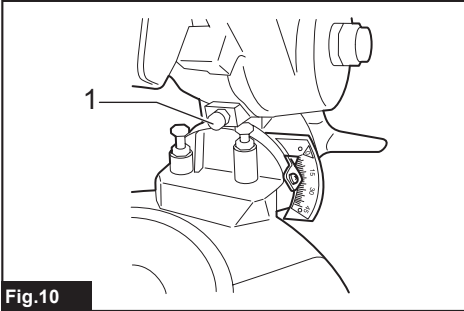


Fig.10

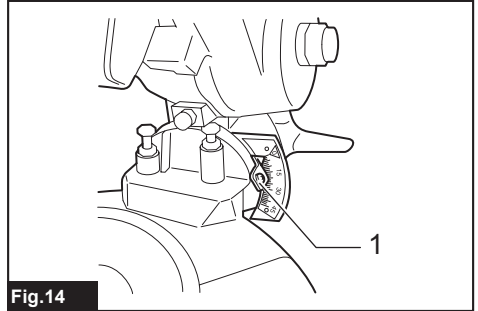


Fig.14

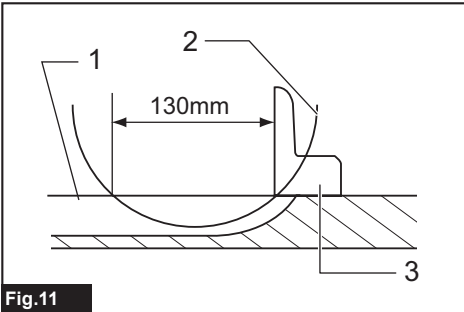


Fig.11

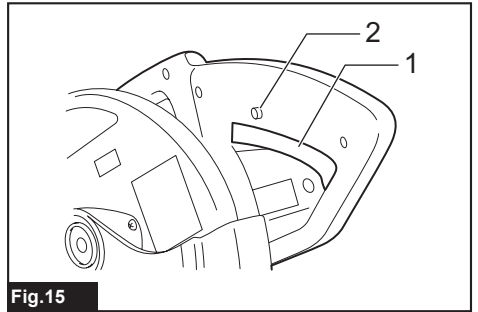


Fig.15

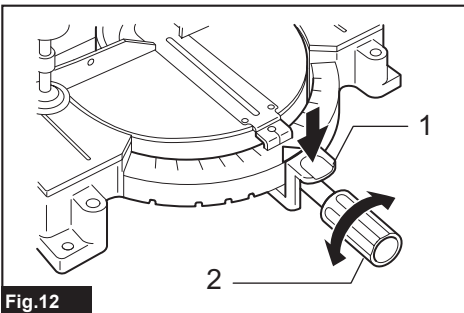


Fig.12

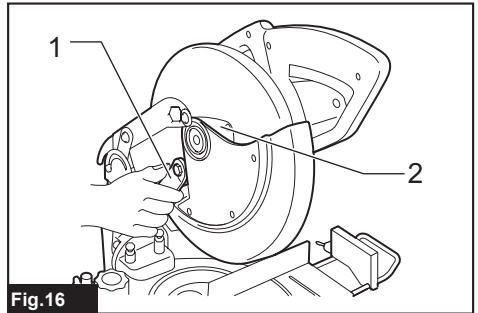


Fig.16

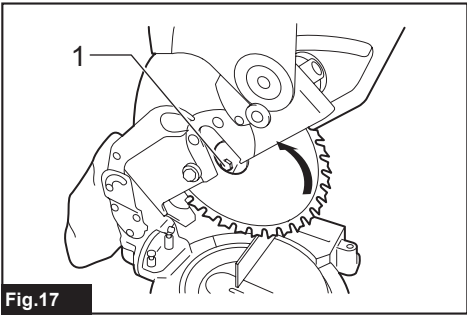


Fig.17

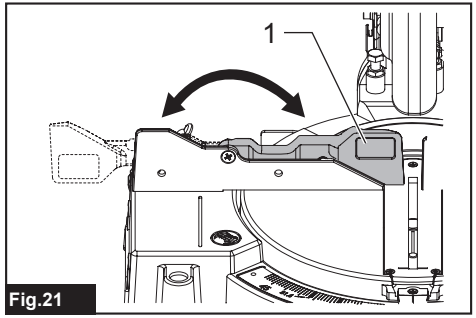


Fig.21

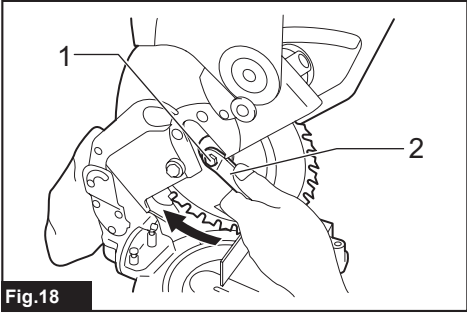


Fig.18

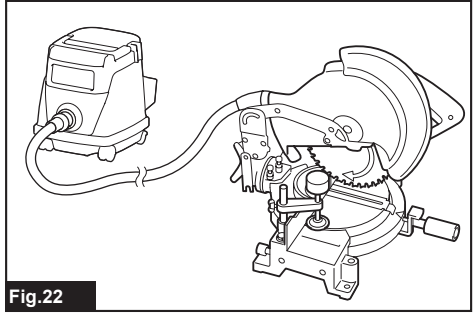


Fig.22

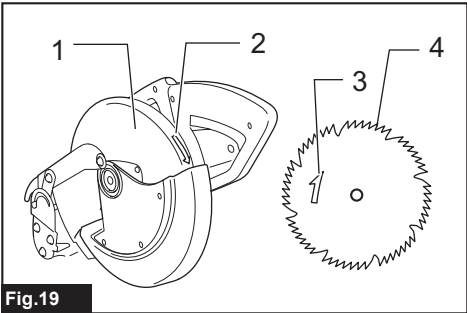


Fig.19

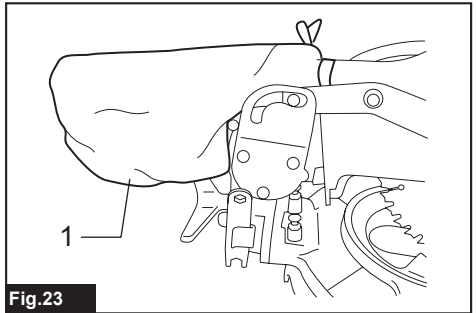


Fig.23

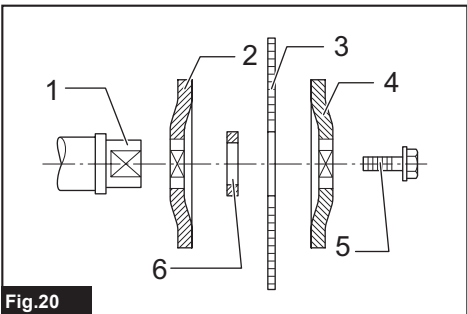


Fig.20

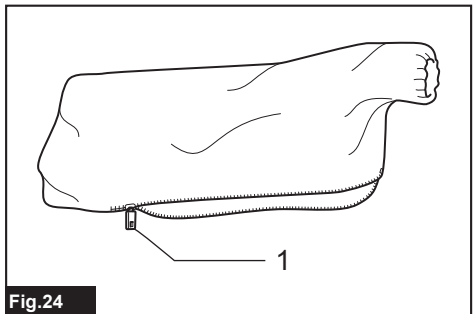


Fig.24

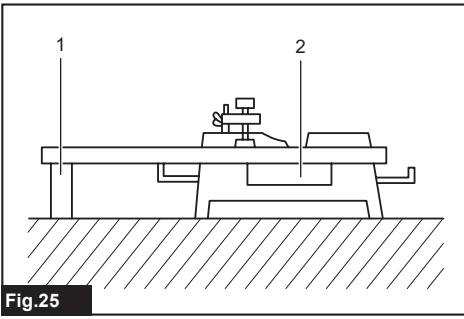


Fig.25

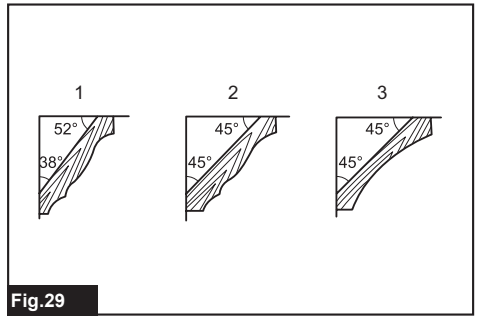


Fig.29

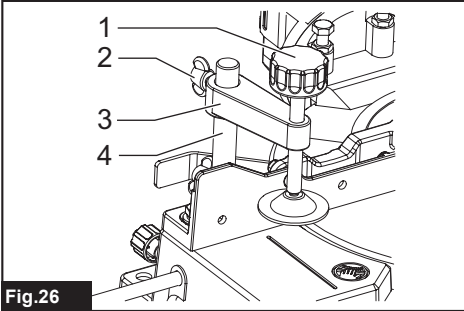


Fig.26

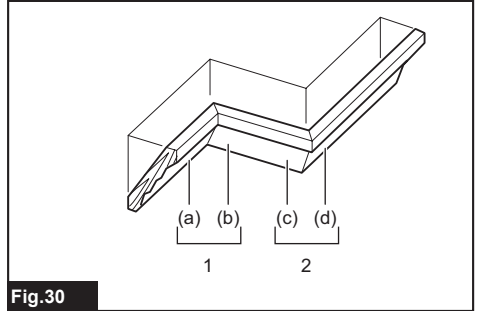


Fig.30

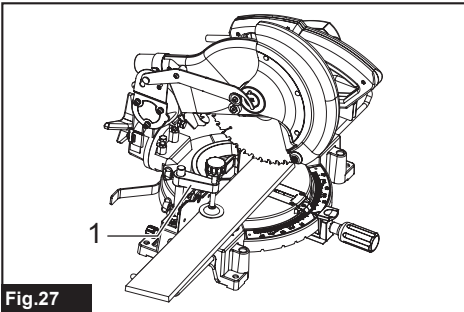


Fig.27

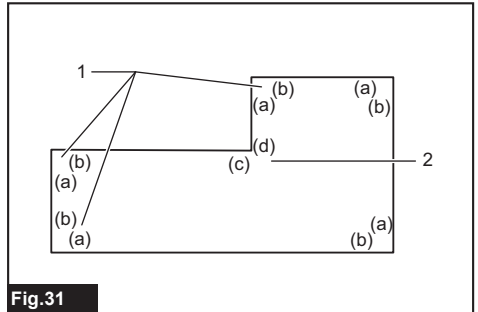


Fig.31

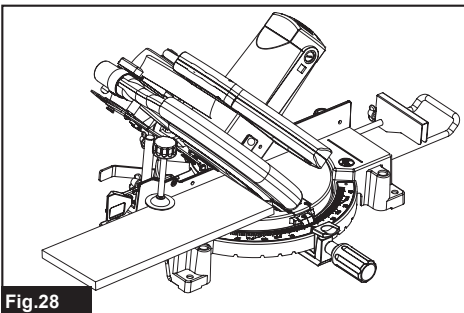


Fig.28

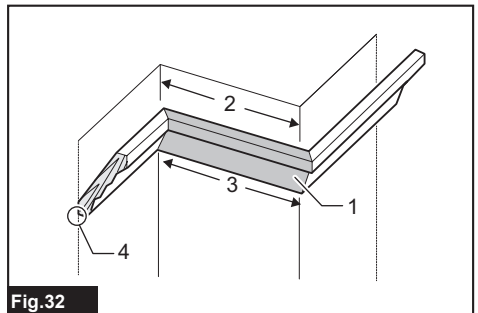


Fig.32

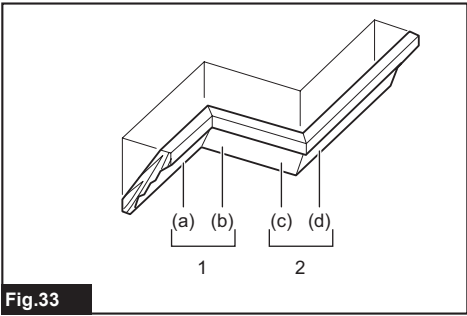


Fig.33

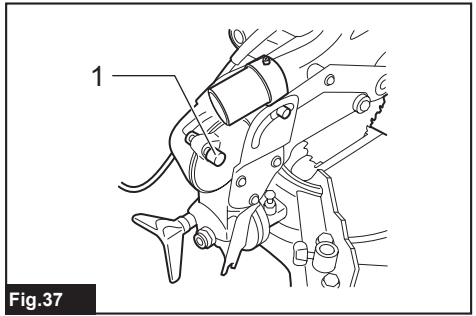


Fig.37

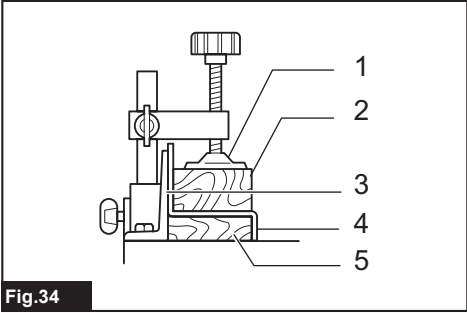


Fig.34

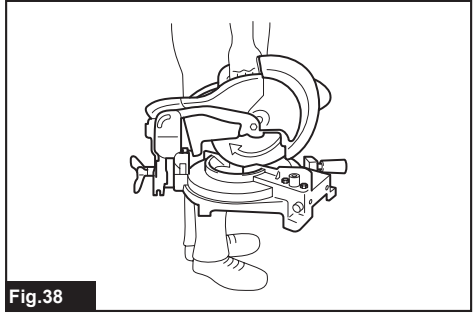


Fig.38

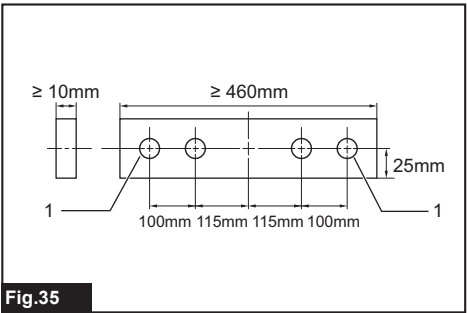


Fig.35

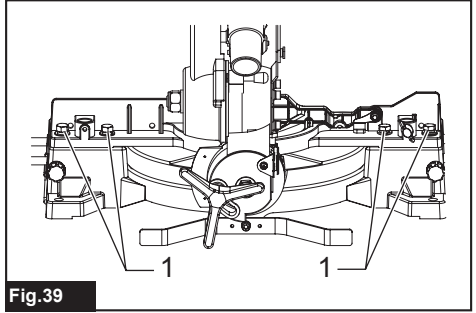


Fig.39

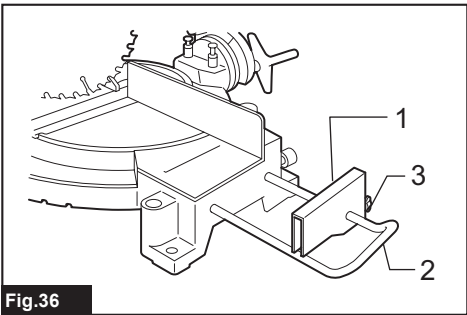


Fig.36

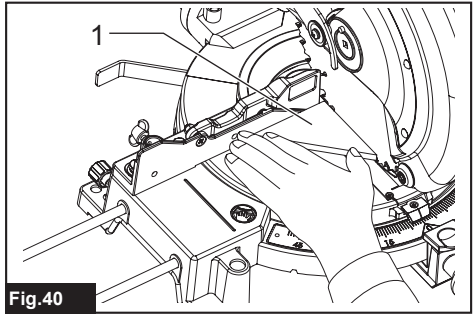


Fig.40

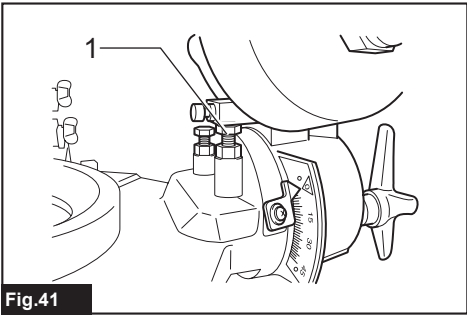


Fig.41

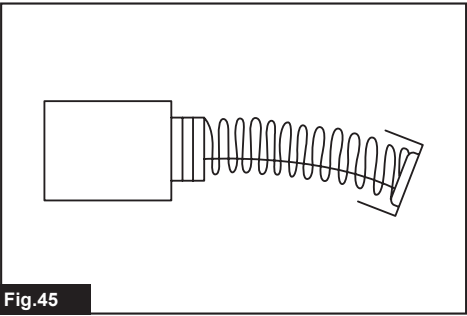


Fig.45

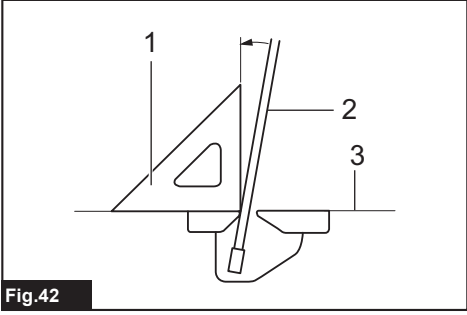


Fig.42

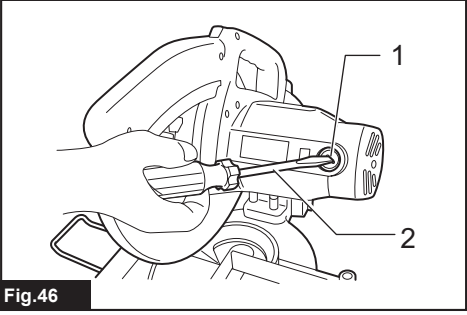


Fig.46

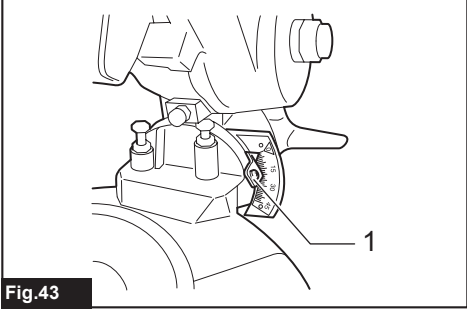


Fig.43

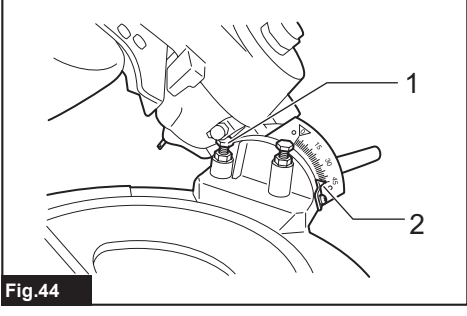


Fig.44

SPECIFICATIONS

Model:		M2300
Blade diameter		255 mm
Hole diameter	For all countries other than European countries	25.4 mm or 30 mm (country specific)
	For European countries	30 mm
Max. kerf thickness of the saw blade		3.2 mm
No load speed		4,200 min ⁻¹
Dimensions (L x W x H)		610 mm x 485 mm x 515 mm
Net weight		13.8 kg
Safety class		□/II






- Due to our continuing program of research and development, the specifications herein are subject to change without notice.
- Specifications may differ from country to country.
- Weight according to EPTA-Procedure 01/2014

Cutting capacities (H x W) with blade 255 mm in diameter

Bevel angle	Miter angle	
	0°	45° (left and right)
0°	75 mm x 130 mm	75 mm x 90 mm
45° (left)	48 mm x 120 mm	48 mm x 90 mm

Symbols

The followings show the symbols which may be used for the equipment. Be sure that you understand their meaning before use.

	Read instruction manual.
	DOUBLE INSULATION
	To avoid injury from flying debris, keep holding the saw head down, after making cuts, until the blade has come to a complete stop.
	Do not place hand or fingers close to the blade.
	Always set SUB-FENCE to left position when performing left bevel cuts. Failure to do so may cause serious injury to operator.



Only for EU countries
Due to the presence of hazardous components in the equipment, used electrical and electronic equipment may have a negative impact on the environment and human health.

Do not dispose of electrical and electronic appliances with household waste!
In accordance with the European Directive on waste electrical and electronic equipment and its adaptation to national law, used electrical and electronic equipment should be collected separately and delivered to a separate collection point for municipal waste, operating in accordance with the environmental protection regulations.

This is indicated by the symbol of the crossed-out wheeled bin placed on the equipment.

Intended use

The tool is intended for accurate straight and miter cutting in wood. With appropriate saw blades, aluminum can also be sawed.

Power supply

The tool should be connected only to a power supply of the same voltage as indicated on the nameplate, and can only be operated on single-phase AC supply. They are double-insulated and can, therefore, also be used from sockets without earth wire.

Noise

The typical A-weighted noise level determined according to EN62841-3-9:

Sound pressure level (L_{pA}) : 89 dB(A)

Sound power level (L_{WA}) : 102 dB (A)

Uncertainty (K) : 3 dB(A)

NOTE: The declared noise emission value(s) has been measured in accordance with a standard test method and may be used for comparing one tool with another.

NOTE: The declared noise emission value(s) may also be used in a preliminary assessment of exposure.

⚠ WARNING: Wear ear protection.

⚠ WARNING: The noise emission during actual use of the power tool can differ from the declared value(s) depending on the ways in which the tool is used especially what kind of workpiece is processed.

⚠ WARNING: Be sure to identify safety measures to protect the operator that are based on an estimation of exposure in the actual conditions of use (taking account of all parts of the operating cycle such as the times when the tool is switched off and when it is running idle in addition to the trigger time).

EC Declaration of Conformity

For European countries only

The EC declaration of conformity is included as Annex A to this instruction manual.

SAFETY WARNINGS

General power tool safety warnings

⚠ WARNING: Read all safety warnings, instructions, illustrations and specifications provided with this power tool. Failure to follow all instructions listed below may result in electric shock, fire and/or serious injury.

Save all warnings and instructions for future reference.

The term "power tool" in the warnings refers to your mains-operated (corded) power tool or battery-operated (cordless) power tool.

Safety instructions for mitre saws

- Mitre saws are intended to cut wood or wood-like products, they cannot be used with abrasive cut-off wheels for cutting ferrous material such as bars, rods, studs, etc.** Abrasive dust causes moving parts such as the lower guard to jam. Sparks from abrasive cutting will burn the lower guard, the kerf insert and other plastic parts.
 - Use clamps to support the workpiece whenever possible. If supporting the workpiece by hand, you must always keep your hand at least 100 mm from either side of the saw blade. Do not use this saw to cut pieces that are too small to be securely clamped or held by hand.** If your hand is placed too close to the saw blade, there is an increased risk of injury from blade contact.
 - The workpiece must be stationary and clamped or held against both the fence and the table. Do not feed the workpiece into the blade or cut "freehand" in any way.** Unrestrained or moving workpieces could be thrown at high speeds, causing injury.
 - Never cross your hand over the intended line of cutting either in front or behind the saw blade.** Supporting the workpiece "cross handed" i.e. holding the workpiece to the right of the saw blade with your left hand or vice versa is very dangerous.
- Fig.1
- Do not reach behind the fence with either hand closer than 100 mm from either side of the saw blade, to remove wood scraps, or for any other reason while the blade is spinning.** The proximity of the spinning saw blade to your hand may not be obvious and you may be seriously injured.
 - Inspect your workpiece before cutting. If the workpiece is bowed or warped, clamp it with the outside bowed face toward the fence. Always make certain that there is no gap between the workpiece, fence and table along the line of the cut.** Bent or warped workpieces can twist or shift and may cause binding on the spinning saw blade while cutting. There should be no nails or foreign objects in the workpiece.
 - Do not use the saw until the table is clear of all tools, wood scraps, etc., except for the workpiece.** Small debris or loose pieces of wood or other objects that contact the revolving blade can be thrown with high speed.
 - Cut only one workpiece at a time.** Stacked multiple workpieces cannot be adequately clamped or braced and may bind on the blade or shift during cutting.
 - Ensure the mitre saw is mounted or placed on a level, firm work surface before use.** A level and firm work surface reduces the risk of the mitre saw becoming unstable.
 - Plan your work. Every time you change the bevel or mitre angle setting, make sure the adjustable fence is set correctly to support the workpiece and will not interfere with the blade or the guarding system.** Without turning the tool "ON" and with no workpiece on the table, move the saw blade through a complete simulated cut to assure there will be no interference or danger of cutting the fence.
 - Provide adequate support such as table extensions, saw horses, etc. for a workpiece that is wider or longer than the table top.** Workpieces longer or wider than the mitre saw table can tip if not securely supported. If the cut-off piece or workpiece tips, it can lift the lower guard or be thrown by the spinning blade.
 - Do not use another person as a substitute for a table extension or as additional support.** Unstable support for the workpiece can cause the blade to bind or the workpiece to shift during the cutting operation pulling you and the helper into the spinning blade.

13. **The cut-off piece must not be jammed or pressed by any means against the spinning saw blade.** If confined, i.e. using length stops, the cut-off piece could get wedged against the blade and thrown violently.
14. **Always use a clamp or a fixture designed to properly support round material such as rods or tubing.** Rods have a tendency to roll while being cut, causing the blade to "bite" and pull the work with your hand into the blade.
15. **Let the blade reach full speed before contacting the workpiece.** This will reduce the risk of the workpiece being thrown.
16. **If the workpiece or blade becomes jammed, turn the mitre saw off. Wait for all moving parts to stop and disconnect the plug from the power source and/or remove the battery pack. Then work to free the jammed material.** Continued sawing with a jammed workpiece could cause loss of control or damage to the mitre saw.
17. **After finishing the cut, release the switch, hold the saw head down and wait for the blade to stop before removing the cut-off piece.** Reaching with your hand near the coasting blade is dangerous.
18. **Hold the handle firmly when making an incomplete cut or when releasing the switch before the saw head is completely in the down position.** The braking action of the saw may cause the saw head to be suddenly pulled downward, causing a risk of injury.
19. **Only use the saw blade with the diameter that is marked on the tool or specified in the manual.** Use of an incorrectly sized blade may affect the proper guarding of the blade or guard operation which could result in serious personal injury.
20. **Only use the saw blades that are marked with a speed equal or higher than the speed marked on the tool.**
21. **Do not use the saw to cut other than wood, aluminum or similar materials.**
22. **(For European countries only) Always use the blade which conforms to EN847-1.**
7. **Stopper pin which locks the cutter head down is for carrying and storage purposes only and not for any cutting operations.**
8. **Check the blade carefully for cracks or damage before operation. Replace cracked or damaged blade immediately.** Gum and wood pitch hardened on blades slows saw and increases potential for kickback. Keep blade clean by first removing it from tool, then cleaning it with gum and pitch remover, hot water or kerosene. Never use gasoline to clean blade.
9. **Use only flanges specified for this tool.**
10. **Be careful not to damage the arbor, flanges (especially the installing surface) or bolt.** Damage to these parts could result in blade breakage.
11. **Make sure that the turn base is properly secured so it will not move during operation.** Use the holes in the base to fasten the saw to a stable work platform or bench. NEVER use tool where operator positioning would be awkward.
12. **Make sure the shaft lock is released before the switch is turned on.**
13. **Be sure that the blade does not contact the turn base in the lowest position.**
14. **Hold the handle firmly.** Be aware that the saw moves up or down slightly during start-up and stopping.
15. **Make sure the blade is not contacting the workpiece before the switch is turned on.**
16. **Before using the tool on an actual workpiece, let it run for a while.** Watch for vibration or wobbling that could indicate poor installation or a poorly balanced blade.
17. **Stop operation immediately if you notice anything abnormal.**
18. **Do not attempt to lock the trigger in the "ON" position.**
19. **Always use accessories recommended in this manual.** Use of improper accessories such as abrasive wheels may cause an injury.
20. **Some material contains chemicals which may be toxic.** Take caution to prevent dust inhalation and skin contact. Follow material supplier safety data.

Additional instructions

1. **Make workshop kid proof with padlocks.**
2. **Never stand on the tool.** Serious injury could occur if the tool is tipped or if the cutting tool is unintentionally contacted.
3. **Never leave the tool running unattended.** Turn the power off. Do not leave tool until it comes to a complete stop.
4. **Do not operate saw without guards in place.** Check blade guard for proper closing before each use. Do not operate saw if blade guard does not move freely and close instantly. Never clamp or tie the blade guard into the open position.
5. **Keep hands out of path of saw blade.** Avoid contact with any coasting blade. It can still cause severe injury.
6. **Always secure all moving portions before carrying the tool.**

Additional safety rules for the laser

1. **LASER RADIATION, DO NOT STARE INTO THE BEAM OR VIEW DIRECTLY WITH OPTICAL INSTRUMENTS, CLASS 2M LASER PRODUCT.**

SAVE THESE INSTRUCTIONS.

⚠WARNING: DO NOT let comfort or familiarity with product (gained from repeated use) replace strict adherence to safety rules for the subject product. MISUSE or failure to follow the safety rules stated in this instruction manual may cause serious personal injury.

INSTALLATION

When the tool is shipped, the handle is locked in the lowered position by the stopper pin. Loosen the bolt with a wrench provided with the tool and move the saw head to the right angle. Remove the bolt and secure the saw head with the knob.

► **Fig.2:** 1. Wrench

► **Fig.3:** 1. Knob

Installing auxiliary plate

Installing the auxiliary plate using the hole in the tool's base and secure it by tightening the screw.

► **Fig.4:** 1. Auxiliary plate 2. Screw 3. Base

Bench mounting

When the tool is shipped, the handle is locked in the lowered position by the stopper pin. Release the stopper pin by lowering the handle slightly and pulling the stopper pin.

► **Fig.5:** 1. Stopper pin

This tool should be bolted with four bolts to a level and stable surface using the bolt holes provided in the tool's base. This will help prevent tipping and possible injury.

► **Fig.6:** 1. Bolt

FUNCTIONAL DESCRIPTION

⚠ CAUTION: Always be sure that the tool is switched off and unplugged before adjusting or checking function on the tool.

Blade guard

► **Fig.7:** 1. Blade guard

When lowering the handle, the blade guard rises automatically. The guard is spring loaded so it returns to its original position when the cut is completed and the handle is raised. NEVER DEFEAT OR REMOVE THE BLADE GUARD OR THE SPRING WHICH ATTACHES TO THE GUARD.

In the interest of your personal safety, always maintain the blade guard in good condition. Any irregular operation of the blade guard should be corrected immediately. Check to assure spring loaded return action of guard. NEVER USE THE TOOL IF THE BLADE GUARD OR SPRING IS DAMAGED, FAULTY OR REMOVED. DOING SO IS HIGHLY DANGEROUS AND CAN CAUSE SERIOUS PERSONAL INJURY.

If the see-through blade guard becomes dirty, or sawdust adheres to it in such a way that the blade and/or workpiece is no longer easily visible, unplug the saw and clean the guard carefully with a damp cloth. Do not use solvents or any petroleum-based cleaners on the plastic guard.

If the blade guard is especially dirty and vision through the guard is impaired, use the supplied wrench to loosen the hex bolt holding the center cover. Loosen

the hex bolt by turning it counterclockwise and raise the blade guard and center cover. With the blade guard so positioned, cleaning can be more completely and efficiently accomplished. When cleaning is complete, reverse procedure above and secure bolt. Do not remove spring holding blade guard. If guard becomes discolored through age or UV light exposure, contact a Makita service center for a new guard. DO NOT DEFEAT OR REMOVE GUARD.

► **Fig.8:** 1. Blade guard

Kerf board

This tool is provided with the kerf board in the turn base to minimize tearing on the exit side of a cut. If the kerf groove has not yet been cut in the kerf board by the factory, you should cut the groove before actually using the tool to cut a workpiece. Switch on the tool and lower the blade gently to cut a groove in the kerf board.

► **Fig.9:** 1. Kerf board

Maintaining maximum cutting capacity

This tool is factory adjusted to provide the maximum cutting capacity for a 255 mm saw blade.

When installing a new blade, always check the lower limit position of the blade and if necessary, adjust it as follows:

First, unplug the tool. Lower the handle completely. Use the wrench to turn the adjusting bolt until the periphery of the blade extends slightly below the top surface of the turn base at the point where the front face of the guide fence meets the top surface of the turn base.

► **Fig.10:** 1. Adjusting bolt

With the tool unplugged, rotate the blade by hand while holding the handle all the way down to be sure that the blade does not contact any part of the lower base. Re-adjust slightly, if necessary.

► **Fig.11:** 1. Top surface of turn base 2. Periphery of blade 3. Guide fence

⚠ CAUTION: After installing a new blade, always be sure that the blade does not contact any part of the lower base when the handle is lowered completely. Always do this with the tool unplugged.

Adjusting the miter angle

► **Fig.12:** 1. Lock lever 2. Grip

Loosen the grip by turning counterclockwise. Turn the turn base while pressing down the lock lever. When you have moved the grip to the position where the pointer points to the desired angle on the miter scale, securely tighten the grip clockwise.

⚠ CAUTION: When turning the turn base, be sure to raise the handle fully.

⚠ CAUTION: After changing the miter angle, always secure the turn base by tightening the grip firmly.

Adjusting the bevel angle

► Fig.13: 1. Knob

To adjust the bevel angle, loosen the knob at the rear of the tool counterclockwise.

► Fig.14: 1. Pointer

Push the handle to the left to tilt the saw blade until the pointer points to the desired angle on the bevel scale. Then tighten the knob clockwise firmly to secure the arm.

⚠ CAUTION: When tilting the saw blade, be sure to raise the handle fully.

⚠ CAUTION: After changing the bevel angle, always secure the arm by tightening the knob clockwise.

Switch action

⚠ WARNING: Before plugging in the tool, always check to see that the switch trigger actuates properly and returns to the "OFF" position when released. Operating a tool with a switch that does not actuate properly can lead to loss of control and serious personal injury.

⚠ WARNING: NEVER use tool without a fully operative switch trigger. Any tool with an inoperative switch is HIGHLY DANGEROUS and must be repaired before further usage or serious personal injury may occur.

► Fig.15: 1. Switch trigger 2. Lock-off button

To prevent the switch trigger from being accidentally pulled, a lock-off button is provided. To start the tool, press in the lock-off button and pull the switch trigger. Release the switch trigger to stop.

ASSEMBLY

⚠ CAUTION: Always be sure that the tool is switched off and unplugged before carrying out any work on the tool.

Installing or removing saw blade

⚠ CAUTION: Always be sure that the tool is switched off and unplugged before installing or removing the blade.

⚠ CAUTION: Use only the Makita wrench provided to install or remove the blade. Failure to do so may result in overtightening or insufficient tightening of the hex bolt. This could cause an injury.

When removing or installing the blade, keep the handle in the raised position.

To remove the blade, use the wrench to loosen the hex bolt holding the center cover by turning it counterclockwise. Raise the blade guard and center cover.

► Fig.16: 1. Wrench 2. Center cover

► Fig.17: 1. Hex bolt

Press the shaft lock to lock the spindle and use the wrench to loosen the hex bolt clockwise. Then remove the hex bolt, outer flange and blade.

► Fig.18: 1. Hex bolt 2. Wrench

To install the blade, mount it carefully onto the spindle, making sure that the direction of the arrow on the surface of the blade matches the direction of the arrow on the blade case.

► Fig.19: 1. Blade case 2. Arrow 3. Arrow 4. Saw blade

Install the outer flange and hex bolt, and then use the wrench to tighten the hex bolt (left-handed) securely counterclockwise while pressing the shaft lock.

► Fig.20: 1. Spindle 2. Flange 3. Saw blade 4. Flange 5. Hex bolt 6. Ring

⚠ CAUTION: The ring 25.4 mm or 30 mm in outer diameter is factory-installed onto the spindle. Before mounting the blade onto the spindle, always be sure that the correct ring for the arbor hole of the blade you intend to use is installed onto the spindle.

Return the blade guard and center cover to its original position. Then tighten the hex bolt clockwise to secure the center cover. Lower the handle to make sure that the blade guard moves properly. Make sure shaft lock has released spindle before making cut.

Sub-fence

Country specific

⚠ WARNING: When performing left bevel cuts, flip the sub-fence outward. Otherwise, it may contact the blade or a part of the tool, and may result in serious injury to the operator.

► Fig.21: 1. Sub-fence

This tool is equipped with the sub-fence. Usually position the sub-fence inside. However, when performing left bevel cuts, flip it outward.

Connecting a vacuum cleaner

When you wish to perform clean cutting operation, connect a Makita vacuum cleaner.

► Fig.22

Dust bag

► Fig.23: 1. Dust bag

► Fig.24: 1. Fastener

The use of the dust bag makes cutting operations clean and dust collection easy. To attach the dust bag, fit it onto the dust nozzle.

When the dust bag is about half full, remove the dust bag from the tool and pull the fastener out. Empty the dust bag of its contents, tapping it lightly so as to remove particles adhering to the insides which might hamper further collection.

Securing workpiece

⚠ WARNING: It is extremely important to always secure the workpiece properly and tightly with the vise. Failure to do so can cause the tool to be damaged and/or the workpiece to be destroyed. PERSONAL INJURY MAY ALSO RESULT. Also, after a cutting operation, DO NOT raise the blade until the blade has come to a complete stop.

⚠ CAUTION: When cutting long workpieces, use supports that are as high as the top surface level of the turn base. Do not rely solely on the vertical vise and/or horizontal vise to secure the workpiece. Thin material tends to sag. Support workpiece over its entire length to avoid blade pinch and possible KICKBACK.

► Fig.25: 1. Support 2. Turn base

Vertical vise

► Fig.26: 1. Vise knob 2. Screw 3. Vise arm 4. Vise rod

The vertical vise can be installed in two positions on either the left or right side of the guide fence. Insert the vise rod into the hole in the guide fence and tighten the screw to secure the vise rod.

Position the vise arm according to the thickness and shape of the workpiece and secure the vise arm by tightening the screw. Make sure that no part of the tool contacts the vise when lowering the handle all the way. If some part contacts the vise, re-position the vise. Press the workpiece flat against the guide fence and the turn base. Position the workpiece at the desired cutting position and secure it firmly by tightening the vise knob.

⚠ CAUTION: The workpiece must be secured firmly against the turn base and guide fence with the vise during all operations.

OPERATION

⚠ CAUTION: Before use, be sure to release the handle from the lowered position by pulling the stopper pin.

⚠ CAUTION: Make sure the blade is not contacting the workpiece, etc. before the switch is turned on.

⚠ CAUTION: Do not apply excessive pressure on the handle when cutting. Too much force may result in overload of the motor and/or decreased cutting efficiency. Press down handle with only as much force as necessary for smooth cutting and without significant decrease in blade speed.

⚠ CAUTION: Gently press down the handle to perform the cut. If the handle is pressed down with force or if lateral force is applied, the blade may vibrate and leave a mark (saw mark) in the workpiece and the precision of the cut may be impaired.

⚠ CAUTION: Do not release the saw head uncontrolled from the fully down position. Uncontrolled saw head may hit you and it will result in personal injury.

Press cutting

► Fig.27: 1. Vertical vise

Secure the workpiece with the vise. Switch on the tool without the blade making any contact and wait until the blade attains full speed before lowering. Then gently lower the handle to the fully lowered position to cut the workpiece. When the cut is completed, switch off the tool and WAIT UNTIL THE BLADE HAS COME TO A COMPLETE STOP before returning the blade to its fully elevated position.

Miter cutting

Refer to the section for adjusting the miter angle.

Bevel cut

► Fig.28

Loosen the knob and tilt the saw blade to set the bevel angle (Refer to the previously covered "Adjusting the bevel angle"). Be sure to retighten the knob firmly to secure the selected bevel angle safely. Secure the workpiece with a vise. Switch on the tool without the blade making any contact and wait until the blade attains full speed. Then gently lower the handle to the fully lowered position while applying pressure in parallel with the blade. When the cut is completed, switch off the tool and WAIT UNTIL THE BLADE HAS COME TO A COMPLETE STOP before returning the blade to its fully elevated position.

⚠ CAUTION: Always be sure that the blade will move down to bevel direction during a bevel cut. Keep hands out of path of saw blade.

⚠ CAUTION: During a bevel cut, it may create a condition whereby the piece cut off will come to rest against the side of the blade. If the blade is raised while the blade is still rotating, this piece may be caught by the blade, causing fragments to be scattered which is dangerous. The blade should be raised ONLY after the blade has come to a complete stop.

⚠ CAUTION: When pressing the handle down, apply pressure parallel to the blade. If the pressure is not parallel to the blade during a cut, the angle of the blade might be shifted and the precision of the cut will be impaired.

⚠ CAUTION: (Only for tools with sub-fence) Always set the sub-fence outside when performing left bevel cuts.

Compound cutting

Compound cutting is the process in which a bevel angle is made at the same time in which a miter angle is being cut on a workpiece. Compound cutting can be performed at the angle shown in the table.

Bevel angle	Miter angle
45°	Left and Right 0° - 45°

When performing compound cutting, refer to "Press cutting", "Miter cutting" and "Bevel cut" explanations.

Cutting crown and cove moldings

Crown and cove moldings can be cut on a compound miter saw with the moldings laid flat on the turn base. There are two common types of crown moldings and one type of cove moldings; 52/38° wall angle crown molding, 45° wall angle crown molding and 45° wall angle cove molding.

► **Fig.29:** 1. 52/38° type crown molding 2. 45° type crown molding 3. 45° type cove molding

There are crown and cove molding joints which are made to fit "Inside" 90° corners ((a) and (b) in the figure) and "Outside" 90° corners ((c) and (d) in the figure.)

► **Fig.30:** 1. Inside corner 2. Outside corner

► **Fig.31:** 1. Inside corner 2. Outside corner

Measuring

Measure the wall width, and adjust the width of the workpiece according to it. Always make sure that width of the workpiece's wall contact edge is the same as wall length.

► **Fig.32:** 1. Workpiece 2. Wall width 3. Width of the workpiece 4. Wall contact edge

Always use several pieces for test cuts to check the saw angles.

When cutting crown and cove moldings, set the bevel angle and miter angle as indicated in the table (A) and position the moldings on the top surface of the saw base as indicated in the table (B).

In the case of left bevel cut

► **Fig.33:** 1. Inside corner 2. Outside corner

Table (A)

–	Molding position in the figure	Bevel angle		Miter angle	
		52/38° type	45° type	52/38° type	45° type
For inside corner	(a)	Left 33.9°	Left 30°	Right 31.6°	Right 35.3°
	(b)			Left 31.6°	Left 35.3°
For outside corner	(c)			Right 31.6°	Right 35.3°
	(d)				

Table (B)

–	Molding position in the figure	Molding edge against guide fence	Finished piece
For inside corner	(a)	Ceiling contact edge should be against guide fence.	Finished piece will be on the Left side of blade.
	(b)	Wall contact edge should be against guide fence.	
For outside corner	(c)	Wall contact edge should be against guide fence.	Finished piece will be on the Right side of blade.
	(d)	Ceiling contact edge should be against guide fence.	

Example:

In the case of cutting 52/38° type crown molding for position (a) in the above figure:

- Tilt and secure bevel angle setting to 33.9° LEFT.
- Adjust and secure miter angle setting to 31.6° RIGHT.
- Lay crown molding with its broad back (hidden) surface down on the turn base with its CEILING CONTACT EDGE against the guide fence on the saw.
- The finished piece to be used will always be on the LEFT side of the blade after the cut has been made.

Cutting aluminum extrusion

► **Fig.34:** 1. Vise 2. Spacer block 3. Guide fence 4. Aluminum extrusion 5. Spacer block

When securing aluminum extrusions, use spacer blocks or pieces of scrap as shown in the figure to prevent deformation of the aluminum. Use a cutting lubricant when cutting the aluminum extrusion to prevent build-up of the aluminum material on the blade.

CAUTION: Never attempt to cut thick or round aluminum extrusions. Thick aluminum extrusions may come loose during operation and round aluminum extrusions cannot be secured firmly with this tool.

Wood facing

WARNING: Use screws to attach the wood facing to the guide fence. The screws should be installed so that the screw heads are below the surface of the wood facing so that they will not interfere with the positioning of the material being cut. Misalignment of the material being cut can cause unexpected movement during the cutting operation which may result in a loss of control and serious personal injury.

CAUTION: Use the straight wood of even thickness as the wood facing.

Use of wood facing helps to assure splinter-free cuts in workpieces. Attach a wood facing to the guide fence using the holes in the guide fence.

See the figure concerning the dimensions for a suggested wood facing.

► **Fig.35:** 1. Holes

NOTICE: When the wood facing is attached, do not turn the turn base with the handle lowered. The blade and/or the wood facing will be damaged.

NOTE: The maximum cutting width will be smaller by the width of wood facing.

Cutting repetitive lengths

When cutting several pieces of stock to the same length, ranging from 240 mm to 380 mm, use the set plate (optional accessory). Install the set plate on the holder (optional accessory) as shown in the figure.

► **Fig.36:** 1. Set plate 2. Holder 3. Screw

Align the cutting line on your workpiece with either the left or right side of the groove in the kerf board, and while holding the workpiece, move the set plate flush against the end of the workpiece. Then secure the set plate with the screw.

When the set plate is not used, loosen the screw and turn the set plate out of the way.

NOTE: Use of the holder-rod assembly (optional accessory) allows cutting repetitive lengths up to 2,200 mm approximately.

Carrying tool

► **Fig.37:** 1. Stopper pin

Make sure that the tool is unplugged. Secure the blade at 0° bevel angle and the turn base at left miter angle fully. Lower the handle fully and lock it in the lowered position by pushing in the stopper pin.

Carry the tool by carrying grip as shown in the figure. If you remove the holders, dust bag, etc., you can carry the tool more easily.

► **Fig.38**

CAUTION: Always secure all moving portions before carrying the tool.

CAUTION: Stopper pin is for carrying and storage purposes only and not for any cutting operations.

MAINTENANCE

WARNING: Always be sure that the blade is sharp and clean for the best and safest performance. Attempting a cut with a dull and/or dirty blade may cause kickback and result in a serious personal injury.

CAUTION: Always be sure that the tool is switched off and unplugged before attempting to perform inspection or maintenance.

NOTICE: Never use gasoline, benzine, thinner, alcohol or the like. Discoloration, deformation or cracks may result.

Adjusting the cutting angle

This tool is carefully adjusted and aligned at the factory, but rough handling may have affected the alignment. If your tool is not aligned properly, perform the following:

Miter angle

► **Fig.39:** 1. Hex bolt

Loosen the grip which secures the turn base. Turn the turn base so that the pointer points to 0° on the miter scale. Tighten the grip and loosen the hex bolts securing the guide fence using the wrench. If the pointer does not point to 0° on the miter scale, loosen the screw which secures the pointer and move and secure the pointer plate so that the pointer points to 0° on the miter scale.

Lower the handle fully and lock it in the lowered position by pushing in the stopper pin. Square the side of the blade with the face of the guide fence using a triangular rule, try-square, etc. Then securely tighten the hex bolts on the guide fence in the order from the right side.

► **Fig.40:** 1. Triangular rule

Bevel angle

0° bevel angle

► **Fig.41:** 1. 0° bevel angle adjusting bolt

Lower the handle fully and lock it in the lowered position by pushing in the stopper pin.

Loosen the knob at the rear of the tool.

Loosen the hex nut and turn the 0° bevel angle adjusting bolt on the right side of the turn base two or three revolutions clockwise to tilt the blade to the right.

Carefully square the side of the blade with the top surface of the turn base using the triangular rule, try-square, etc. by turning the 0° bevel angle adjusting bolt counterclockwise. Then tighten the hex nut to secure the 0° bevel angle adjusting bolt and tighten the knob securely.

Make sure that the pointer on the arm points to 0° on the bevel scale. If it does not point to 0° on the bevel scale, loosen the screw which secures the pointer and move and secure the pointer plate so that the pointer points to 0° on the bevel scale.

► **Fig.42:** 1. Triangular rule 2. Saw blade 3. Top surface of turn base

► **Fig.43:** 1. Pointer

45° bevel angle

► **Fig.44:** 1. 45° bevel angle adjusting bolt 2. Pointer

Adjust the 45° bevel angle only after performing 0° bevel angle adjustment.

To adjust left 45° bevel angle, loosen the knob and tilt the blade to the left fully.

Make sure that the pointer on the arm points to 45° on the bevel scale on the arm.

If the pointer does not point to 45°, turn the 45° bevel angle adjusting bolt on the left side of the arm until the pointer points to 45°.

Replacing carbon brushes

► **Fig.45**

Remove and check the carbon brushes regularly. Replace when they wear down to 3 mm in length. Keep the carbon brushes clean and free to slip in the holders. Both carbon brushes should be replaced at the same time. Use only identical carbon brushes.

Use a screwdriver to remove the brush holder caps.

Take out the worn carbon brushes, insert the new ones and secure the brush holder caps.

► **Fig.46:** 1. Brush holder cap 2. Screwdriver

After use

After use, wipe off chips and dust adhering to the tool with a cloth or the like. Keep the blade guard clean according to the directions in the previously covered section titled "Blade guard". Lubricate the sliding portions with machine oil to prevent rust.

To maintain product SAFETY and RELIABILITY, repairs, any other maintenance or adjustment should be performed by Makita Authorized or Factory Service Centers, always using Makita replacement parts.

OPTIONAL ACCESSORIES

⚠ CAUTION: These accessories or attachments are recommended for use with your Makita tool specified in this manual. The use of any other accessories or attachments might present a risk of injury to persons. Only use accessory or attachment for its stated purpose.

If you need any assistance for more details regarding these accessories, ask your local Makita Service Center.

- Steel & Carbide-tipped saw blades
(Refer to our website or contact your local Makita dealer for the correct saw blades to be used for the material to be cut.)

NOTE: Some items in the list may be included in the tool package as standard accessories. They may differ from country to country.

SPÉCIFICATIONS

Modèle :		M2300
Diamètre de lame		255 mm
Diamètre d'orifice	Pour tous les pays autres que les pays européens	25,4 mm ou 30 mm (selon le pays)
	Pour les pays européens	30 mm
Épaisseur max. du trait de la lame de scie		3,2 mm
Vitesse à vide		4 200 min ⁻¹
Dimensions (L x l x H)		610 mm x 485 mm x 515 mm
Poids net		13,8 kg
Catégorie de sécurité		□/II






- Étant donné l'évolution constante de notre programme de recherche et de développement, les spécifications contenues dans ce manuel sont sujettes à modification sans préavis.
- Les spécifications peuvent varier suivant les pays.
- Poids selon la procédure EPTA 01/2014

Capacités de coupe (H x l) avec une lame de 255 mm de diamètre

Angle de coupe en biseau	Angle de coupe d'onglet	
	0°	45° (gauche et droite)
0°	75 mm x 130 mm	75 mm x 90 mm
45° (gauche)	48 mm x 120 mm	48 mm x 90 mm

Symboles

Vous trouverez ci-dessous les symboles susceptibles d'être utilisés pour l'appareil. Veuillez à comprendre leur signification avant toute utilisation.

	Lire le mode d'emploi.
	DOUBLE ISOLATION
	Pour éviter les blessures provoquées par les objets projetés, maintenir la tête de la scie en position basse une fois la coupe terminée, jusqu'à ce que la lame soit complètement arrêtée.
	Ne pas placer les mains ou les doigts près de la lame.
	Placer toujours le GUIDE INFÉRIEUR sur la position gauche pour les coupes en biseau à gauche. Le non-respect de cette consigne peut entraîner de graves blessures pour l'utilisateur.



Pour les pays de l'Union européenne uniquement

En raison de la présence de composants dangereux dans l'équipement, les équipements électriques et électroniques usagés peuvent avoir un impact négatif sur l'environnement et la santé humaine.

Ne jetez pas les appareils électriques et électroniques avec les ordures ménagères !

Conformément à la directive européenne relative aux déchets d'équipements électriques et électroniques et à son adaptation à la législation nationale, les équipements électriques et électroniques usagés doivent être collectés séparément et déposés dans un point de collecte distinct pour déchets urbains, conformément aux réglementations en matière de protection de l'environnement.

Cela est indiqué par le symbole de la poubelle à roulettes barrée sur l'équipement.

Utilisations

L'outil est conçu pour effectuer des coupes rectilignes et des coupes d'onglet dans le bois, avec précision. En utilisant des lames de scie appropriées, l'aluminium peut également être scié.

Alimentation

L'outil ne devra être raccordé qu'à une alimentation de la même tension que celle qui figure sur la plaque signalétique, et il ne pourra fonctionner que sur un courant secteur monophasé. Réalisé avec une double isolation, il peut de ce fait être alimenté par une prise sans mise à la terre.

Bruit

Niveau de bruit pondéré A typique, déterminé selon EN62841-3-9 :

Niveau de pression sonore (L_{pA}) : 89 dB (A)

Niveau de puissance sonore (L_{WA}) : 102 dB (A)

Incertitude (K) : 3 dB (A)

NOTE : La ou les valeurs d'émission de bruit déclarées ont été mesurées conformément à la méthode de test standard et peuvent être utilisées pour comparer les outils entre eux.

NOTE : La ou les valeurs d'émission de bruit déclarées peuvent aussi être utilisées pour l'évaluation préliminaire de l'exposition.

⚠ AVERTISSEMENT : Portez un serre-tête antibruit.

⚠ AVERTISSEMENT : L'émission de bruit lors de l'usage réel de l'outil électrique peut être différente de la ou des valeurs déclarées, suivant la façon dont l'outil est utilisé, particulièrement selon le type de pièce usinée.

⚠ AVERTISSEMENT : Les mesures de sécurité à prendre pour protéger l'utilisateur doivent être basées sur une estimation de l'exposition dans des conditions réelles d'utilisation (en tenant compte de toutes les composantes du cycle d'utilisation, comme par exemple le moment de sa mise hors tension, lorsqu'il tourne à vide et le moment de son déclenchement).

Déclaration de conformité CE

Pour les pays européens uniquement

La déclaration de conformité CE est fournie en Annexe A à ce mode d'emploi.

CONSIGNES DE SÉCURITÉ

Consignes de sécurité générales pour outils électriques

⚠ AVERTISSEMENT : Veuillez lire les consignes de sécurité, instructions, illustrations et spécifications qui accompagnent cet outil électrique. Le non-respect de toutes les instructions indiquées ci-dessous peut entraîner une électrocution, un incendie et/ou de graves blessures.

Conservez toutes les mises en garde et instructions pour référence ultérieure.

Le terme « outil électrique » dans les avertissements fait référence à l'outil électrique alimenté par le secteur (avec cordon d'alimentation) ou à l'outil électrique fonctionnant sur batterie (sans cordon d'alimentation).

Consignes de sécurité pour scies radiales

1. **Les scies radiales sont conçues pour couper le bois ou des produits similaires au bois ; elles ne peuvent pas être utilisées avec des meules à tronçonner pour couper des matériaux ferreux comme des barres, des tiges, des goujons, etc.** La poussière abrasive provoque le blocage des pièces mobiles comme le protecteur inférieur. Les étincelles produites par le tronçonnage abrasif brûleront le protecteur inférieur, le pare-éclats et les autres pièces en plastique.
 2. **Utilisez des dispositifs de serrage pour soutenir la pièce si possible. Si vous soutenez la pièce avec la main, vous devez toujours tenir votre main à au moins 100 mm des côtés de la lame de scie. N'utilisez pas cette scie pour découper des morceaux trop petits pour être solidement bloqués ou tenus avec la main.** Si votre main est placée trop près de la lame de scie, cela présente un risque accru de blessures en cas de contact avec la lame.
 3. **La pièce doit être immobile et bloquée ou maintenue à la fois contre le guide et la table. En aucun cas, ne poussez la pièce dans la lame, ni ne coupez « à main levée ».** Les pièces non retenues ou en mouvement pourraient être projetées à grande vitesse et vous blesser.
 4. **Ne croisez jamais les mains sur la ligne de coupe prévue devant ou derrière la lame de scie.** Soutenir la pièce les « mains croisées », à savoir en tenant la pièce à droite de la lame de scie avec la main gauche et inversement, est très dangereux.
- Fig.1
5. **Ne tendez pas les mains derrière le guide plus près que 100 mm d'un côté ou de l'autre de la lame de scie pour retirer les chutes de bois ou pour tout autre motif pendant que la lame tourne.** La proximité de la lame de scie en rotation avec votre main pourrait ne pas être évidente et vous pourriez gravement vous blesser.
 6. **Inspectez votre pièce avant la coupe. Si la pièce est arquée ou tordue, serrez-la en place avec la face externe arquée tournée vers le guide. Assurez-vous toujours qu'il n'y a pas d'espace entre la pièce, le guide et la table le long de la ligne de coupe.** Les pièces courbées ou tordues peuvent se tordre ou bouger et pincer la lame de scie en rotation pendant la coupe. La pièce ne doit pas avoir de clous ou corps étrangers.
 7. **N'utilisez pas la scie tant que la table n'est pas dégagée de tous les outils, chutes de bois, etc., à l'exception de la pièce.** Les petits débris, les morceaux de bois détachés ou d'autres objets entrant en contact avec la lame en rotation peuvent être projetés à grande vitesse.
 8. **Coupez uniquement une pièce à la fois.** Plusieurs pièces empilées ne peuvent pas être correctement serrées ou attachées et risquent de pincer la lame ou de bouger pendant la coupe.
 9. **Avant utilisation, assurez-vous que la scie radiale est installée ou posée sur un plan de travail plat et solide.** Un plan de travail plat et solide réduit le risque d'instabilité de la scie radiale.

10. **Planifiez votre travail. Chaque fois que vous changez le réglage de l'angle de coupe en biseau ou l'angle de coupe d'onglet, assurez-vous que le guide réglable est placé correctement pour soutenir la pièce et qu'il ne gêne pas la lame ou le dispositif de protection.** Sans mettre l'outil sous tension (ON) et sans pièce sur la table, déplacez la lame de scie pour une simulation de coupe complète afin de vous assurer qu'il n'y aura pas d'interférence ou de risque de couper le guide.
 11. **Prévoyez des supports adéquats comme des rallonges de table, un chevalet de sciage, etc., pour les pièces plus larges ou plus longues que la table.** Les pièces plus longues ou plus larges que la table d'appui de la scie radiale peuvent basculer si elles ne sont pas solidement soutenues. Si la partie coupée de la pièce ou la pièce elle-même bascule, elle peut soulever le protecteur inférieur ou être projetée par la lame en rotation.
 12. **Ne vous servez pas d'une autre personne à la place d'une rallonge de table ou d'un support supplémentaire.** Un soutien instable de la pièce peut pincer la lame ou faire bouger la pièce pendant la coupe vous entraînant vous et votre assistant vers la lame en rotation.
 13. **La partie coupée de la pièce ne doit pas être coincée ou appuyée par quelque moyen que ce soit contre la lame de scie en rotation.** Si elle est emprisonnée, au moyen de butées longitudinales par exemple, la partie coupée de la pièce risque de se coincer contre la lame et d'être violemment projetée.
 14. **Utilisez toujours un dispositif de serrage ou de fixation conçu pour soutenir adéquatement les pièces rondes comme les barres ou les tuyaux.** Les barres ont tendance à rouler pendant la coupe, faisant « mordre » la lame et entraînant la pièce et votre main sur la lame.
 15. **Attendez que la lame ait atteint sa pleine vitesse avant de la mettre en contact avec la pièce.** Vous réduirez ainsi le risque de projection de la pièce.
 16. **Si la pièce ou la lame se coince, mettez la scie radiale hors tension. Attendez que toutes les pièces en mouvement s'arrêtent et débranchez la fiche du cordon d'alimentation de la prise secteur et/ou retirez la batterie. Puis essayez de libérer la pièce coincée.** Si vous continuez à scier avec une pièce coincée, vous risquez de perdre le contrôle de la scie radiale ou de l'endommager.
 17. **Une fois la coupe terminée, relâchez l'interrupteur, tenez la tête de scie vers le bas et attendez l'arrêt de la lame avant de retirer la partie coupée de la pièce.** Approcher votre main de la lame « en roue libre » est dangereux.
 18. **Tenez fermement la poignée lorsque vous faites une coupe incomplète ou lorsque vous relâchez l'interrupteur avant d'avoir complètement abaissé la tête de scie.** Le freinage de la scie peut tirer brusquement la tête de scie vers le bas, ce qui présente un risque de blessure.
 19. **Utilisez uniquement une lame de scie ayant le diamètre indiqué sur l'outil ou spécifié dans le mode d'emploi.** L'utilisation d'une taille incorrecte de lame peut affecter la protection de la lame ou le fonctionnement du carter de protection, ce qui pourrait provoquer de graves blessures.
 20. **Utilisez uniquement des lames de scie sur lesquelles est indiquée une vitesse égale ou supérieure à la vitesse figurant sur l'outil.**
 21. **N'utilisez pas la scie pour couper autre chose que du bois, de l'aluminium ou des matériaux similaires.**
 22. **(Pour les pays européens uniquement) Utilisez toujours une lame conforme à la norme EN847-1.**
- Instructions supplémentaires**
1. **Faites en sorte que l'atelier ne présente pas de dangers pour les enfants en plaçant des cadenas.**
 2. **Ne vous tenez jamais debout sur l'outil.** Vous risqueriez de gravement vous blesser si l'outil bascule ou si vous touchez par inadvertance l'outil de coupe.
 3. **Ne laissez jamais sans surveillance un outil en marche. Mettez-le hors tension. Attendez que l'outil soit complètement arrêté avant de vous éloigner.**
 4. **N'utilisez jamais la scie sans les protecteurs en place. Vérifiez le bon fonctionnement du protecteur de lame avant chaque utilisation. N'utilisez pas la scie si le protecteur de lame ne se déplace pas librement et ne se referme pas instantanément. N'immobilisez jamais le protecteur de lame en position ouverte.**
 5. **Gardez bien les mains à l'écart de la lame de scie. Évitez tout contact avec une lame « en roue libre ».** Vous pourriez vous blesser gravement.
 6. **Immobilisez toujours toutes les pièces mobiles de l'outil avant de le transporter.**
 7. **La broche d'arrêt qui verrouille en position basse la tête de coupe sert à des fins de transport et de rangement uniquement et pas pour les opérations de coupe.**
 8. **Vérifiez soigneusement l'absence de fissures ou de dommages sur les lames avant l'utilisation. Remplacez immédiatement les lames fissurées ou abîmées. Les dépôts de colle et les copeaux de bois qui durcissent contre la lame ralentissent la scie et entraînent une augmentation des risques de choc en retour. Pour nettoyer la lame, retirez-la d'abord de l'outil, puis nettoyez-la avec un décapant, de l'eau chaude ou du kérosène. N'utilisez jamais d'essence pour nettoyer la lame.**
 9. **N'utilisez que les flasques spécifiés pour cet outil.**
 10. **Prenez garde de ne pas endommager l'alésage, les flasques (tout particulièrement leur surface d'installation) ou le boulon. Si ces pièces sont endommagées, la lame peut se casser.**
 11. **Assurez-vous que le socle rotatif est bien immobilisé, afin qu'il ne risque pas de se déplacer pendant l'opération. Utilisez les orifices sur le socle pour fixer la scie sur une plateforme de travail ou un établi stable. N'utilisez JAMAIS l'outil si vous vous trouvez dans une position inconfortable.**
 12. **Assurez-vous que le blocage de l'arbre est relâché avant de mettre la sous tension.**

13. Assurez-vous que la lame ne touche pas le socle rotatif quand elle est abaissée au maximum.
14. Tenez la poignée fermement. N'oubliez pas que la scie se déplace légèrement de haut en bas au démarrage et à l'arrêt.
15. Assurez-vous que la lame ne touche pas la pièce avant de mettre la sous tension.
16. Avant d'utiliser l'outil sur la pièce, faites-le tourner un instant à vide. Vérifiez que la lame ne présente ni balourd ni shimmy qui pourraient résulter d'un montage incorrect ou d'un déséquilibre.
17. Arrêtez immédiatement si vous remarquez quoi que ce soit d'anormal.
18. Ne tentez pas de bloquer la gâchette sur la position de marche (ON).
19. N'utilisez que les accessoires recommandés dans ce manuel. L'utilisation d'accessoires différents, disques à tronçonner notamment, peut entraîner des blessures.
20. Certains matériaux contiennent des produits chimiques qui peuvent être toxiques. Prenez garde de ne pas avaler la poussière et évitez tout contact avec la peau. Suivez les données de sécurité du fournisseur du matériau.

Consignes de sécurité supplémentaires pour le laser

1. **RAYONNEMENT LASER, ÉVITEZ DE REGARDER FIXEMENT LE FAISCEAU OU DE L'OBSERVER À L'AIDE D'INSTRUMENTS OPTIQUES, PRODUIT LASER DE CLASSE 2M.**

CONSERVEZ CES INSTRUCTIONS.

⚠ AVERTISSEMENT : NE vous laissez PAS tromper (au fil d'une utilisation répétée) par un sentiment d'aisance et de familiarité avec le produit, en négligeant le respect rigoureux des consignes de sécurité qui accompagnent le produit en question. La MAUVAISE UTILISATION de l'outil ou l'ignorance des consignes de sécurité indiquées dans ce mode d'emploi peut entraîner de graves blessures.

INSTALLATION

À la sortie d'usine, la poignée est verrouillée en position abaissée au moyen de la broche d'arrêt. Desserrez le boulon avec la clé fournie avec l'outil et déplacez la tête de scie sur le bon angle. Retirez le boulon et fixez la tête de scie avec le pommeau.

► Fig.2: 1. Clé

► Fig.3: 1. Pommeau

Installation de la plaque auxiliaire

Installez la plaque auxiliaire au moyen de l'orifice sur le socle de l'outil et maintenez-la en place en serrant la vis.

► Fig.4: 1. Plaque auxiliaire 2. Vis 3. Socle

Montage sur établi

À la sortie d'usine, la poignée est verrouillée en position abaissée au moyen de la broche d'arrêt. Libérez la broche d'arrêt en abaissant légèrement la poignée et en tirant sur la broche d'arrêt.

► Fig.5: 1. Broche d'arrêt

Cet outil doit être boulonné avec quatre boulons sur une surface plane et stable au moyen des orifices pour boulon prévus sur le socle de l'outil. Ceci permettra d'éviter tout risque de renversement et de blessure.

► Fig.6: 1. Boulon

DESCRIPTION DU FONCTIONNEMENT

⚠ ATTENTION : Assurez-vous toujours que l'outil est hors tension et débranché avant de l'ajuster ou de vérifier son fonctionnement.

Protecteur de lame

► Fig.7: 1. Protecteur de lame

Le protecteur de lame s'élève automatiquement lorsque vous abaissez la poignée. Le protecteur étant équipé d'un ressort de rappel, il revient à sa position d'origine une fois la coupe terminée et la poignée relevée. NE MODIFIEZ, NI NE RETIREZ LE PROTECTEUR DE LAME OU SON RESSORT.

Par mesure de sécurité, conservez toujours le protecteur de lame en bon état. Un fonctionnement irrégulier du protecteur de lame doit être corrigé sur-le-champ. Vérifiez que le mécanisme de rappel par ressort du protecteur fonctionne correctement. N'UTILISEZ JAMAIS L'OUTIL SI LE PROTECTEUR DE LAME OU LE RESSORT EST ENDOMMAGÉ, DÉFECTUEUX OU RETIRÉ. CE CI EST TRÈS DANGEREUX ET PEUT PROVOQUER DE GRAVES BLESSURES.

Si le protecteur de lame transparent devient sale ou si la sciure de bois y adhère au point que la lame et/ou la pièce ne soient plus bien visibles, débranchez la scie et nettoyez soigneusement le protecteur avec un chiffon humide. N'utilisez aucun solvant ou nettoyant à base de pétrole sur le protecteur en plastique.

Si le protecteur de lame est particulièrement sale et qu'il est difficile de voir à travers le protecteur, utilisez la clé fournie pour desserrer le boulon hexagonal maintenant le capot central. Desserrez le boulon hexagonal en le tournant dans le sens inverse des aiguilles d'une montre et soulevez le protecteur de lame et le capot central. Avec le protecteur de lame dans cette position, il est possible de réaliser un nettoyage plus complet et efficace. Une fois le nettoyage terminé, exécutez la procédure ci-dessus dans l'ordre inverse et fixez le boulon. Ne retirez pas le ressort du protecteur de lame. Si le protecteur se décolore avec le temps ou sous l'effet des rayons ultraviolets, contactez un centre d'entretien Makita pour obtenir un protecteur neuf. NE MODIFIEZ NI NE RETIREZ LE PROTECTEUR.

► Fig.8: 1. Protecteur de lame

Plateau de découpe

Le socle rotatif de cet outil est équipé d'un plateau de découpe pour minimiser la déchirure du côté de sortie de la coupe. Si une rainure n'a pas déjà été coupée dans le plateau de découpe en usine, il est nécessaire de couper la rainure avant d'utiliser réellement l'outil pour couper une pièce. Mettez l'outil sous tension et abaissez délicatement la lame pour couper une rainure dans le plateau de découpe.

► **Fig.9:** 1. Plateau de découpe

Maintien de la capacité de coupe maximale

Cet outil est réglé en usine pour offrir une capacité de coupe maximale avec une lame de scie de 255 mm.

Lorsque vous installez une lame neuve, vérifiez toujours la position limite inférieure de la lame, et réglez-la comme suit si nécessaire :

Commencez par débrancher l'outil. Abaissez complètement la poignée. Avec la clé, tournez le boulon de réglage jusqu'à ce que la périphérie de la lame s'étende légèrement sous la surface supérieure du socle rotatif au point où la face avant du guide rencontre la surface supérieure du socle rotatif.

► **Fig.10:** 1. Boulon de réglage

Avec l'outil débranché, faites tourner la lame manuellement en maintenant la poignée en position complètement abaissée, afin d'être certain que la lame n'entre en contact avec aucune partie du socle inférieur. Au besoin, effectuez un léger réajustement.

► **Fig.11:** 1. Surface supérieure du socle rotatif
2. Périphérie de la lame 3. Guide

⚠ATTENTION : Après avoir installé une lame neuve, assurez-vous toujours que la lame ne touche aucune partie du socle inférieur lorsque la poignée est complètement abaissée. Procédez toujours alors que l'outil est débranché.

Réglage de l'angle de coupe d'onglet

► **Fig.12:** 1. Levier de verrouillage 2. Manche

Desserrez le manche en le tournant dans le sens inverse des aiguilles d'une montre. Tournez le socle rotatif tout en maintenant enfoncé le levier de verrouillage. Une fois déplacé le manche sur la position où l'index pointe sur l'angle souhaité sur le secteur, serrez fermement le manche dans le sens des aiguilles d'une montre.

⚠ATTENTION : Lorsque vous tournez le socle rotatif, veillez à relever complètement la poignée.

⚠ATTENTION : Après avoir modifié l'angle de coupe d'onglet, fixez toujours le socle rotatif en serrant le manche à fond.

Réglage de l'angle de coupe en biseau

► **Fig.13:** 1. Pommeau

Pour ajuster l'angle de coupe en biseau, desserrez le pommeau à l'arrière de l'outil en le tournant dans le sens inverse des aiguilles d'une montre.

► **Fig.14:** 1. Index

Poussez la poignée vers la gauche pour incliner la lame de scie jusqu'à ce que l'index pointe vers l'angle souhaité sur l'échelle. Serrez ensuite fermement le pommeau dans le sens des aiguilles d'une montre pour fixer le bras.

⚠ATTENTION : Lorsque vous inclinez la lame de scie, veillez à relever complètement la poignée.

⚠ATTENTION : Après avoir modifié l'angle de coupe en biseau, fixez toujours le bras en serrant le levier vers la droite.

Interrupteur

⚠AVERTISSEMENT : Avant de brancher l'outil, assurez-vous toujours que la gâchette fonctionne correctement et revient en position d'arrêt une fois relâchée. L'utilisation d'un outil dont la gâchette est défectueuse comporte un risque de perte de contrôle et de graves blessures.

⚠AVERTISSEMENT : N'utilisez JAMAIS un outil dont le fonctionnement de la gâchette est défectueux. Tout outil dont la gâchette est défectueuse est EXTRÊMEMENT DANGEREUX et doit être réparé avant toute nouvelle utilisation, autrement cela présente un risque de graves blessures.

► **Fig.15:** 1. Gâchette 2. Bouton de sécurité

Pour éviter tout déclenchement accidentel de la gâchette, l'outil est muni d'un bouton de sécurité. Pour démarrer l'outil, enfonchez le bouton de sécurité puis appuyez sur la gâchette. Pour l'arrêter, relâchez la gâchette.

ASSEMBLAGE

⚠ATTENTION : Avant d'effectuer toute intervention sur l'outil, assurez-vous toujours qu'il est hors tension et débranché.

Pose et dépose de la lame de scie

⚠ATTENTION : Avant de poser ou de retirer la lame, assurez-vous toujours que l'outil est hors tension et débranché.

⚠ATTENTION : Utilisez exclusivement la clé Makita fournie pour poser ou retirer la lame. Sinon, le boulon hexagonal risque d'être trop ou pas assez serré. Cela peut entraîner des blessures.

Lors du retrait ou de la pose de la lame, maintenez la poignée sur la position levée.

Pour retirer la lame, desserrez avec la clé le boulon hexagonal maintenant le capot central en tournant dans le sens inverse des aiguilles d'une montre. Soulevez le protecteur de lame et le capot central.

► **Fig.16:** 1. Clé 2. Capot central

► **Fig.17:** 1. Boulon hexagonal

Appuyez sur le blocage de l'arbre pour verrouiller l'axe et desserrez avec la clé le boulon hexagonal dans le sens des aiguilles d'une montre. Retirez ensuite le boulon hexagonal, le flasque extérieur et la lame.

► **Fig.18:** 1. Boulon hexagonal 2. Clé

Pour poser la lame, fixez-la soigneusement sur l'axe en vous assurant que le sens de la flèche sur la surface de la lame correspond au sens de la flèche sur le porte-lame.

► **Fig.19:** 1. Porte-lame 2. Flèche 3. Flèche 4. Lame de scie

Installez le flasque extérieur et le boulon hexagonal, puis, à l'aide de la clé, serrez à fond le boulon hexagonal (filetage à gauche) dans le sens inverse des aiguilles d'une montre tout en appuyant sur le blocage de l'arbre.

► **Fig.20:** 1. Axe 2. Flasque 3. Lame de scie 4. Flasque 5. Boulon hexagonal 6. Bague

⚠ ATTENTION : La bague de diamètre externe de 25,4 mm ou 30 mm est installée en usine sur l'axe. Avant de poser la lame sur l'axe, assurez-vous toujours qu'une bague adéquate pour l'alésage central de la lame que vous prévoyez d'utiliser est installée sur l'axe.

Remettez le protecteur de lame et le capot central en position initiale. Puis serrez le boulon hexagonal dans le sens des aiguilles d'une montre pour fixer le capot central. Abaissez la poignée pour vous assurer que le protecteur de lame se déplace adéquatement. Avant de passer à la coupe, vérifiez que le blocage de l'arbre n'est pas engagé sur l'axe.

Guide inférieur

Propre au pays

⚠ AVERTISSEMENT : Tournez le guide inférieur vers l'extérieur pour les coupes en biseau à gauche. Sinon, il pourrait entrer en contact avec la lame ou une autre partie de l'outil, ce qui pourrait entraîner de graves blessures pour l'utilisateur.

► **Fig.21:** 1. Guide inférieur

Cet outil est équipé d'un guide inférieur. Le guide inférieur est habituellement orienté vers l'intérieur. Tournez-le cependant vers l'extérieur pour les coupes en biseau à gauche.

Raccordement à un aspirateur

Pour effectuer une opération de coupe propre, raccordez un aspirateur Makita.

► **Fig.22**

Sac à poussière

► **Fig.23:** 1. Sac à poussière

► **Fig.24:** 1. Barrette

L'utilisation du sac à poussière garantit une coupe propre et facilite la collecte de la poussière. Pour fixer le sac à poussière, insérez-le dans le raccord à poussières.

Lorsque le sac à poussière est environ à moitié plein, retirez-le de l'outil et tirez sur la barrette. Videz le sac à poussière en le tapotant légèrement pour retirer les particules qui adhèrent à sa surface intérieure et risqueraient de faire obstacle à la collecte de la poussière par la suite.

Fixation de la pièce de travail

⚠ AVERTISSEMENT : Il est très important de toujours immobiliser correctement et fermement la pièce à travailler avec l'étau. À défaut, l'outil pourrait être endommagé et/ou la pièce détruite. VOUS POURRIEZ ÉGALEMENT GRAVEMENT VOUS BLESSER. Par ailleurs, après la coupe, NE soulevez PAS la lame avant son arrêt complet.

⚠ ATTENTION : Pour couper des pièces de grande longueur, utilisez des supports aussi haut que le niveau de la surface supérieure du socle rotatif. Ne vous fiez pas uniquement à un étau vertical et/ou un étau horizontal pour immobiliser la pièce. Les matériaux minces ont tendance à s'affaisser. Soutenez la pièce sur toute sa longueur, pour éviter que la lame ne se coince et provoque un éventuel CHOC EN RETOUR.

► **Fig.25:** 1. Support 2. Socle rotatif

Étau vertical

► **Fig.26:** 1. Poignée de l'étau 2. Vis 3. Bras de l'étau 4. Tige de l'étau

L'étau vertical peut être installé sur deux positions, du côté gauche ou du côté droit du guide. Engagez la tige de l'étau dans l'orifice du guide et serrez la vis pour fixer la tige de l'étau.

Placez le bras de l'étau en fonction de l'épaisseur et de la forme de la pièce à travailler et fixez le bras de l'étau en serrant la vis. Assurez-vous qu'aucune partie de l'outil n'entre en contact avec l'étau lorsque vous abaissez complètement la poignée. Si une quelconque partie de l'outil entre en contact avec l'étau, modifiez son emplacement.

Appuyez la pièce à plat contre le guide et le socle rotatif. Placez la pièce sur la position de coupe désirée et maintenez-la en place en serrant à fond la poignée de l'étau.

⚠ ATTENTION : La pièce doit être fixée fermement sur le socle rotatif et le guide avec l'étau pendant toutes les opérations.

UTILISATION

⚠ ATTENTION : Avant l'utilisation, assurez-vous d'avoir dégagé la poignée de la position abaissée en tirant sur la broche d'arrêt.

⚠ ATTENTION : Avant de mettre le contact, assurez-vous que la lame ne touche pas la pièce, etc.

⚠ ATTENTION : Pendant la coupe, n'appliquez pas une pression excessive sur la poignée. Une force excessive risquerait de provoquer une surcharge du moteur et/ou une diminution de la capacité de coupe. Appuyez sur la poignée en appliquant uniquement la force nécessaire pour obtenir une coupe en douceur sans diminuer de façon significative la vitesse de la lame.

⚠ ATTENTION : Appuyez doucement sur la poignée pour effectuer la coupe. Si vous appuyez trop fort sur la poignée ou appuyez latéralement, la lame risque de vibrer et de laisser une marque (marque de sciage) sur la pièce ; la précision de coupe sera également affectée.

⚠ ATTENTION : Ne relâchez pas la tête de scie incontrôlée de la position complètement abaissée. Une tête de scie incontrôlée peut vous frapper et vous blesser.

Coupe sous presse

► Fig.27: 1. Étau vertical

Assurez la pièce avec l'étau. Mettez l'outil en marche alors que la lame ne touche à rien et attendez qu'elle ait atteint sa pleine vitesse avant de l'abaisser. Abaissez ensuite doucement la poignée sur la position la plus basse pour couper la pièce. Lorsque la coupe est terminée, mettez l'outil hors tension et ATTENDEZ QUE LA LAME SE SOIT COMPLÈTEMENT ARRÊTÉE avant de ramener la lame en position complètement relevée.

Coupe d'onglet

Reportez-vous à la section de réglage de l'angle de coupe d'onglet.

Coupe en biseau

► Fig.28

Desserrez le pommeau et inclinez la lame de scie pour régler l'angle de coupe en biseau (voir la section précédente « Réglage de l'angle de coupe en biseau »). N'oubliez pas de resserrer à fond le pommeau de façon à bien assurer l'angle de coupe en biseau sélectionné. Assurez la pièce avec un étau. Mettez l'outil en marche alors que la lame ne touche à rien et attendez qu'elle ait atteint sa pleine vitesse. Ensuite, abaissez doucement la poignée sur la position la plus basse tout en appliquant une pression parallèle à la lame. Lorsque la coupe est terminée, mettez l'outil hors tension et ATTENDEZ QUE LA LAME SE SOIT COMPLÈTEMENT ARRÊTÉE avant de ramener la lame en position complètement relevée.

⚠ ATTENTION : Assurez-vous toujours que la lame descend dans le sens du biseau pendant une coupe en biseau. Gardez bien les mains à l'écart de la lame de scie.

⚠ ATTENTION : Lors d'une coupe en biseau, il peut se produire que la partie coupée de la pièce vienne s'appuyer contre le côté de la lame. Si la lame est soulevée alors qu'elle tourne encore, cette pièce peut être coincée par la lame provoquant un éparpillement dangereux de fragments. La lame doit être soulevée UNIQUEMENT après son arrêt complet.

⚠ ATTENTION : En appuyant sur la poignée, exercez une pression en parallèle à la lame. Si la pression n'est pas parallèle à la lame pendant la coupe, l'angle de la lame peut être déplacé et la précision de la coupe en souffrira.

⚠ ATTENTION : (Uniquement pour les outils avec guide inférieur) Orientez toujours le guide inférieur vers l'extérieur pour les coupes en biseau à gauche.

Coupe mixte

La coupe mixte consiste à appliquer un angle de coupe en biseau tout en effectuant une coupe d'onglet sur une pièce. La coupe mixte est possible à l'angle indiqué dans le tableau.

Angle de coupe en biseau	Angle de coupe d'onglet
45°	Gauche et droite 0° à 45°

Pour effectuer une coupe mixte, reportez-vous aux explications des sections « Coupe sous presse », « Coupe d'onglet » et « Coupe en biseau ».

Coupe de moulures couronnées et concaves

Les moulures couronnées et concaves peuvent être coupées avec une scie radiale combinée, en les déposant à plat sur le socle rotatif.

Il existe deux types courants de moulures couronnées et un type de moulure concave, à savoir : les moulures couronnées pour angles de murs respectifs de 52/38° et 45°, et les moulures concaves pour angle de mur de 45°.

- Fig.29: 1. Moulure couronnée du type 52/38°
2. Moulure couronnée du type 45°
3. Moulure concave du type 45°

Il existe des joints de moulures couronnées et concaves qui s'adaptent aux coins « intérieurs » de 90° ((a) et (b) sur la figure), et aux coins « extérieurs » de 90° ((c) et (d) sur la figure).

► Fig.30: 1. Coin intérieur 2. Coin extérieur

► Fig.31: 1. Coin intérieur 2. Coin extérieur

Mesure

Mesurez la largeur du mur et ajustez la largeur de la pièce conformément. Assurez-vous toujours que la largeur du bord de contact avec le mur de la pièce est identique à la longueur du mur.

- Fig.32: 1. Pièce 2. Largeur du mur 3. Largeur de la pièce 4. Bord de contact avec le mur

Vérifiez toujours les angles de coupe de la scie en effectuant des tests sur quelques morceaux.

Pour couper des moulures couronnées et concaves, réglez l'angle de coupe en biseau et l'angle de coupe d'onglet tel qu'indiqué dans le tableau (A), et placez les moulures sur la face supérieure du socle de la scie, tel qu'indiqué dans le tableau (B).

Dans le cas d'une coupe en biseau sur la gauche

► Fig.33: 1. Coin intérieur 2. Coin extérieur

Tableau (A)

-	Position de moulure sur la figure	Angle de coupe en biseau		Angle de coupe d'onglet	
		Type 52/38°	Type 45°	Type 52/38°	Type 45°
Pour coin intérieur	(a)	Gauche 33,9°	Gauche 30°	Droite 31,6°	Droite 35,3°
	(b)			Gauche 31,6°	Gauche 35,3°
Pour coin extérieur	(c)			Droite 31,6°	Droite 35,3°
	(d)				

Tableau (B)

-	Position de moulure sur la figure	Bord de moulure contre le guide	Partie de la pièce à utiliser
Pour coin intérieur	(a)	Le bord de contact avec le plafond doit être contre le guide.	La partie de la pièce à utiliser sera du côté gauche de la lame.
	(b)	Le bord de contact avec le mur doit être contre le guide.	
Pour coin extérieur	(c)	Le bord de contact avec le plafond doit être contre le guide.	La partie de la pièce à utiliser sera du côté droit de la lame.
	(d)	Le bord de contact avec le plafond doit être contre le guide.	

Exemple :

Dans le cas d'une coupe de moulure couronnée du type 52/38° pour la position (a) sur la figure ci-dessus :

- Réglez l'angle de coupe en biseau et immobilisez-le sur 33,9° vers la GAUCHE.
- Réglez l'angle de coupe d'onglet et immobilisez-le sur 31,6° vers la DROITE.
- Déposez sur le socle rotatif la moulure couronnée, face arrière large (cachée) orientée vers le bas, et en plaçant le BORD DE CONTACT AVEC LE PLAFOND contre le guide de la scie.
- La partie de la pièce à utiliser doit toujours être du côté GAUCHE de la lame une fois la coupe terminée.

Coupe d'aluminium extrudé

► Fig.34: 1. Étau 2. Bloc espaceur 3. Guide
4. Aluminium extrudé 5. Bloc espaceur

Pour immobiliser des pièces en aluminium extrudé, utilisez des blocs espaceurs ou des morceaux de ferraille comme illustré sur la figure pour éviter une déformation de l'aluminium. Utilisez un lubrifiant de coupe pour couper de l'aluminium extrudé afin d'éviter l'accumulation de matériau en aluminium sur la lame.

ATTENTION : N'essayez jamais de couper des morceaux épais ou arrondis d'aluminium extrudé. Les morceaux épais d'aluminium extrudé peuvent se détacher pendant la coupe et les morceaux ronds d'aluminium extrudé ne peuvent pas être correctement immobilisés avec cet outil.

Parement de bois

AVERTISSEMENT : Utilisez des vis pour fixer le parement de bois au guide. Les vis doivent être posées de sorte que leur tête se trouve sous la surface du parement de bois, afin qu'elles ne gênent pas la mise en place de la pièce à couper. Si la pièce à couper est mal alignée, elle risquera d'effectuer un déplacement inattendu pendant la coupe, ce qui peut causer une perte de contrôle et de graves blessures.

ATTENTION : Comme parement de bois, utilisez un morceau de bois droit d'épaisseur régulière.

L'utilisation de parements de bois permet d'effectuer des coupes sans éclats. Fixez un parement de bois sur le guide en utilisant les orifices du guide. Pour les dimensions recommandées du parement de bois, voir l'illustration.

► Fig.35: 1. Orifices

REMARQUE : Une fois le parement de bois fixé, ne tournez pas le socle rotatif avec le bras abaissé. Vous risqueriez d'endommager la lame et/ou le parement de bois.

NOTE : La largeur de coupe maximale sera plus petite que la largeur de parement de bois.

Coupes répétées de longueur identique

Pour couper plusieurs morceaux de matériau à la même longueur, qui peut être comprise entre 240 mm et 380 mm, utilisez la plaque de fixation (accessoire en option). Installez la plaque de fixation sur sa servante (accessoire en option) comme indiqué sur la figure.

► Fig.36: 1. Plaque de fixation 2. Servante 3. Vis

Alignez la ligne de coupe de la pièce sur le côté gauche ou droit de la rainure du plateau de découpe, et tout en tenant la pièce, placez la plaque de fixation contre l'extrémité de la pièce. Fixez ensuite la plaque de fixation avec la vis. Lorsque vous ne vous servez pas de la plaque de fixation, desserrez la vis et tournez la plaque de fixation pour la dégager.

NOTE : L'utilisation de l'ensemble de butées et tiges (accessoire en option) permet des coupes répétées d'une longueur identique pouvant aller jusqu'à environ 2 200 mm.

Transport de l'outil

► **Fig.37:** 1. Broche d'arrêt

Assurez-vous que l'outil est débranché. Fixez la lame sur un angle de coupe en biseau de 0° et le socle rotatif à l'angle de coupe d'onglet complètement à gauche. Abaissez complètement la poignée et verrouillez-la en position inférieure en enfonçant la broche d'arrêt. Transportez l'outil en tenant le manche de transport comme illustré sur la figure. L'outil sera plus facile à transporter si vous retirez les servantes, le sac à poussière, etc.

► **Fig.38**

⚠ ATTENTION : Immobilisez toujours toutes les pièces mobiles de l'outil avant de le transporter.

⚠ ATTENTION : La broche d'arrêt sert à des fins de transport et de rangement uniquement et pas pour les opérations de coupe.

ENTRETIEN

⚠ AVERTISSEMENT : Pour obtenir de l'outil une performance optimale et une sécurité maximale, assurez-vous toujours que la lame est affûtée et propre. Si vous tentez d'effectuer la coupe avec une lame émoussée et/ou sale, cela présente un risque de choc en retour et de graves blessures.

⚠ ATTENTION : Assurez-vous toujours que l'outil est hors tension et débranché avant d'effectuer tout travail d'inspection ou d'entretien.

REMARQUE : N'utilisez jamais d'essence, benzène, diluant, alcool ou autre produit similaire. Cela risquerait de provoquer la décoloration, la déformation ou la fissuration de l'outil.

Réglage de l'angle de coupe

L'outil a été soigneusement réglé et aligné en usine, mais une manipulation maladroite a pu dérégler l'alignement. Si l'outil n'est pas aligné correctement, effectuez les opérations suivantes :

Angle de coupe d'onglet

► **Fig.39:** 1. Boulon hexagonal

Desserrez le manche qui retient le socle rotatif. Faites pivoter le socle rotatif de sorte que l'index pointe sur 0° sur le secteur. Serrez le manche et desserrez avec la clé les boulons hexagonaux maintenant en place le guide. Si l'index ne pointe pas sur 0° sur le secteur, desserrez la vis qui retient l'index, puis déplacez et fixez la plaque de l'index de sorte que l'index pointe sur 0° sur le secteur.

Abaissez complètement la poignée et verrouillez-la en position inférieure en enfonçant la broche d'arrêt.

Redressez le côté de la lame avec la face du guide à l'aide d'une règle triangulaire, d'une équerre de menuisier, etc. Serrez ensuite à fond les boulons hexagonaux du guide, dans l'ordre, en commençant du côté droit.

► **Fig.40:** 1. Règle triangulaire

Angle de coupe en biseau

Angle de coupe en biseau 0°

► **Fig.41:** 1. Boulon de réglage d'angle de biseau de 0°

Abaissez complètement la poignée et verrouillez-la en position inférieure en enfonçant la broche d'arrêt. Desserrez le pommeau à l'arrière de l'outil. Desserrez l'écrou hexagonal et tournez le boulon de réglage d'angle de biseau de 0° sur le côté droit du socle rotatif de deux ou trois tours dans le sens des aiguilles d'une montre pour incliner la lame vers la droite.

Redressez soigneusement le côté de la lame avec la surface supérieure du socle rotatif à l'aide d'une règle triangulaire, d'une équerre de menuisier, etc. en tournant dans le sens inverse des aiguilles d'une montre le boulon de réglage d'angle de biseau de 0°. Serrez ensuite l'écrou hexagonal pour fixer le boulon de réglage d'angle de biseau de 0° et serrez solidement le pommeau.

Assurez-vous que l'index sur le bras pointe sur 0° sur l'échelle. S'il ne pointe pas sur 0° sur l'échelle, desserrez la vis qui retient l'index, puis déplacez et fixez la plaque de l'index de sorte que l'index pointe sur 0° sur l'échelle.

► **Fig.42:** 1. Règle triangulaire 2. Lame de scie
3. Surface supérieure du socle rotatif

► **Fig.43:** 1. Index

Angle de coupe en biseau 45°

► **Fig.44:** 1. Boulon de réglage d'angle de biseau de 45° 2. Index

Réglez l'angle de biseau de 45° uniquement après avoir réglé l'angle de biseau de 0°.

Pour ajuster l'angle de coupe en biseau 45° à gauche, desserrez le pommeau et inclinez la lame complètement à gauche.

Assurez-vous que l'index sur le bras pointe sur 45° sur l'échelle du bras.

Si l'index ne pointe pas sur 45°, tournez le boulon de réglage de l'angle de coupe en biseau 45° du côté gauche du bras jusqu'à ce que l'index pointe sur 45°.

Remplacement d'un balai en carbone

► **Fig.45**

Retirez et vérifiez régulièrement les balais en carbone. Remplacez-les lorsqu'ils sont usés jusqu'à 3 mm de longueur. Maintenez les balais en carbone propres et en état de glisser aisément dans les porte-charbons. Les deux balais en carbone doivent être remplacés en même temps. N'utilisez que des balais en carbone identiques.

Retirez les bouchons de porte-charbon à l'aide d'un tournevis. Enlevez les balais en carbone usés, insérez les neufs et revissez solidement les bouchons de porte-charbon.

► **Fig.46:** 1. Bouchon de porte-charbon 2. Tournevis

Après l'utilisation

Après l'utilisation, essuyez les copeaux et poussières qui adhèrent à l'outil à l'aide d'un chiffon ou d'un objet similaire. Gardez le protecteur de lame propre, conformément aux instructions fournies dans la section précédente intitulée « Protecteur de lame ». Lubrifiez les parties coulissantes avec de l'huile machine pour prévenir la formation de rouille.

Pour assurer la SÉCURITÉ et la FIABILITÉ du produit, toute réparation, tout travail d'entretien ou de réglage doivent être effectués par un centre d'entretien Makita agréé, avec des pièces de rechange Makita.

ACCESSOIRES EN OPTION

⚠ ATTENTION : Ces accessoires ou pièces complémentaires sont recommandés pour l'utilisation avec l'outil Makita spécifié dans ce mode d'emploi. L'utilisation de tout autre accessoire ou pièce complémentaire peut comporter un risque de blessure. N'utilisez les accessoires ou pièces complémentaires qu'aux fins auxquelles ils ont été conçus.

Pour obtenir plus de détails sur ces accessoires, contactez votre centre d'entretien local Makita.

- Lames de scie en acier à dents de carbure (Consultez notre site Web ou contactez votre revendeur Makita local pour connaître les bonnes lames de scie à utiliser selon le matériau à couper.)

NOTE : Il se peut que certains éléments de la liste soient compris dans l'emballage de l'outil en tant qu'accessoires standard. Ils peuvent varier d'un pays à l'autre.

TECHNISCHE DATEN

Modell:		M2300
Sägeblattdurchmesser		255 mm
Lochdurchmesser	Für alle Länder außerhalb Europas	25,4 mm oder 30 mm (länderspezifisch)
	Für europäische Länder	30 mm
Max. Schnittfugenbreite des Sägeblatts		3,2 mm
Leerlaufdrehzahl		4.200 min ⁻¹
Abmessungen (L x B x H)		610 mm x 485 mm x 515 mm
Nettogewicht		13,8 kg
Sicherheitsklasse		□/II






- Wir behalten uns vor, Änderungen der technischen Daten im Zuge der Entwicklung und des technischen Fortschritts ohne vorherige Ankündigung vorzunehmen.
- Die technischen Daten können von Land zu Land unterschiedlich sein.
- Gewicht nach EPTA-Verfahren 01/2014

Schnittleistung (H x B) mit Sägeblatt 255 mm Durchmesser

Neigungswinkel	Gehrungswinkel	
	0°	45° (links und rechts)
0°	75 mm x 130 mm	75 mm x 90 mm
45° (links)	48 mm x 120 mm	48 mm x 90 mm

Symbole

Nachfolgend werden Symbole beschrieben, die für das Gerät verwendet werden können. Machen Sie sich unbedingt vor der Benutzung mit ihrer Bedeutung vertraut.

	Betriebsanleitung lesen.
	DOPPELTE ISOLIERUNG
	Um Verletzungen durch herausgeschleuderte Teile zu vermeiden, halten Sie den Sägekopf nach Ausführung von Schnitten abgesenkt, bis das Sägeblatt völlig zum Stillstand gekommen ist.
	Halten Sie Hände oder Finger vom Sägeblatt fern.
	Stellen Sie den ZUSATZANSCHLAG bei der Durchführung von linksseitigen Neigungsschnitten immer auf die linke Position. Anderenfalls kann es zu schweren Verletzungen der Bedienungsperson kommen.



Nur für EU-Länder
Aufgrund des Vorhandenseins gefährlicher Komponenten in der Ausrüstung können Elektro- und Elektronik-Altgeräte sich negativ auf die Umwelt und die menschliche Gesundheit auswirken. Entsorgen Sie Elektro- und Elektronikgeräte nicht mit dem Hausmüll! In Übereinstimmung mit der Europäischen Richtlinie über Elektro- und Elektronik-Altgeräte und ihrer Anpassung an nationales Recht sollten Elektro- und Elektronik-Altgeräte gemäß den Umweltschutzbestimmungen getrennt gesammelt und zu einer getrennten Sammelstelle für Siedlungsabfälle geliefert werden.
Dies wird durch das am Gerät angebrachte Symbol der durchgestrichenen Abfalltonne auf Rädern angezeigt.

Vorgesehene Verwendung

Das Werkzeug ist für genaue Gerad- und Gehrungsschnitte in Holz vorgesehen. Mit geeigneten Sägeblättern kann auch Aluminium gesägt werden.

Stromversorgung

Das Werkzeug sollte nur an eine Stromquelle angeschlossen werden, deren Spannung mit der Angabe auf dem Typenschild übereinstimmt, und kann nur mit Einphasen-Wechselstrom betrieben werden. Diese sind doppelt schutzisoliert und können daher auch an Steckdosen ohne Erdleiter verwendet werden.

Geräusch

Typischer A-bewerteter Geräuschpegel ermittelt gemäß EN62841-3-9:

Schalldruckpegel (L_{pA}): 89 dB (A)

Schallleistungspegel (L_{WA}): 102 dB (A)

Messunsicherheit (K): 3 dB (A)

HINWEIS: Der (Die) angegebene(n) Schallemissionswert(e) gemessen und kann (können) für den Vergleich zwischen Werkzeugen herangezogen werden.

HINWEIS: Der (Die) angegebene(n) Schallemissionswert(e) kann (können) auch für eine Vorbewertung des Gefährdungsgrads verwendet werden.

⚠️ WARNUNG: Einen Gehörschutz tragen.

⚠️ WARNUNG: Die Schallemission während der tatsächlichen Benutzung des Elektrowerkzeugs kann je nach der Benutzungsweise des Werkzeugs, und speziell je nach der Art des bearbeiteten Werkstücks, von dem (den) angegebenen Wert(en) abweichen.

⚠️ WARNUNG: Identifizieren Sie Sicherheitsmaßnahmen zum Schutz des Benutzers anhand einer Schätzung des Gefährdungsgrads unter den tatsächlichen Benutzungsbedingungen (unter Berücksichtigung aller Phasen des Arbeitszyklus, wie z. B. Ausschalt- und Leerlaufzeiten des Werkzeugs zusätzlich zur Betriebszeit).

EG-Konformitätserklärung

Nur für europäische Länder

Die EG-Konformitätserklärung ist als Anhang A in dieser Bedienungsanleitung enthalten.

SICHERHEITSWARNUNGEN

Allgemeine Sicherheitswarnungen für Elektrowerkzeuge

⚠️ WARNUNG: Lesen Sie alle mit diesem Elektrowerkzeug gelieferten Sicherheitswarnungen, Anweisungen, Abbildungen und technischen Daten durch. Eine Missachtung der unten aufgeführten Anweisungen kann zu einem elektrischen Schlag, Brand und/oder schweren Verletzungen führen.

Bewahren Sie alle Warnungen und Anweisungen für spätere Bezugnahme auf.

Der Ausdruck „Elektrowerkzeug“ in den Warnhinweisen bezieht sich auf Ihr mit Netzstrom (mit Kabel) oder Akku (ohne Kabel) betriebenes Elektrowerkzeug.

Sicherheitsanweisungen für Gehrungssägen

- Gehrungssägen sind zum Schneiden von Holz oder holzähnlichen Produkten vorgesehen. Sie können nicht mit Trennschleifscheiben zum Schneiden von Eisenmaterial, wie z. B. Stäben, Stangen, Bolzen usw., verwendet werden.** Schleifstaub kann Klemmen von beweglichen Teilen, wie z. B. der unteren Schutzhaube, verursachen. Beim Trennschleifen entstehende Funken verbrennen die untere Schutzhaube, den Schnittfugeneinsatz und andere Kunststoffteile.
- Stützen Sie das Werkstück nach Möglichkeit immer mit Klemmen ab. Wenn Sie das Werkstück mit der Hand abstützen, müssen Sie Ihre Hand immer mindestens 100 mm von beiden Seiten des Sägeblatts entfernt halten. Verwenden Sie diese Säge nicht zum Schneiden von Werkstücken, die zu klein sind, um sicher eingespannt oder von Hand gehalten zu werden.** Wenn Sie Ihre Hand zu nah an das Sägeblatt halten, besteht erhöhte Verletzungsgefahr durch Kontakt mit dem Sägeblatt.
- Das Werkstück muss stationär sein und sowohl gegen den Gehrungsanschlag als auch den Tisch geklemmt oder gehalten werden. Schieben Sie das Werkstück nicht in das Sägeblatt, und schneiden Sie auch nicht „freihändig“ in irgendeiner Weise.** Nicht gesicherte oder bewegliche Werkstücke könnten mit hoher Geschwindigkeit herausgeschleudert werden und Verletzungen verursachen.
- Halten Sie niemals Ihre Hand über die beachtete Schnittlinie, weder vor noch hinter dem Sägeblatt.** Abstützen des Werkstücks mit „überkreuzter Hand“, d. h. Halten des Werkstücks rechts vom Sägeblatt mit der linken Hand oder umgekehrt, ist sehr gefährlich.
► Abb.1
- Reichen Sie bei rotierendem Sägeblatt nicht hinter den Gehrungsanschlag, so dass sich eine Ihrer Hände näher als 100 mm links oder rechts des Sägeblatts befindet, um Holzabfälle zu entfernen, oder aus anderen Gründen.** Es mag nicht offensichtlich sein, wie nah sich Ihre Hand am Sägeblatt befindet, und Sie können sich ernsthaft verletzen.
- Überprüfen Sie Ihr Werkstück vor dem Schneiden. Falls das Werkstück verbogen oder verzogen ist, spannen Sie es mit der äußeren gebogenen Seite zum Gehrungsanschlag gerichtet ein. Vergewissern Sie sich stets, dass keine Lücke zwischen Werkstück, Gehrungsanschlag und Tisch entlang der Schnittlinie vorhanden ist.** Verbogene oder verzogene Werkstücke neigen zum Drehen oder Verlagern und können beim Schneiden Klemmen am rotierenden Sägeblatt verursachen. Es dürfen keine Nägel oder Fremdkörper im Werkstück vorhanden sein.
- Benutzen Sie die Säge nicht eher, bis sämtliche Werkzeuge, Holzabfälle usw. außer dem Werkstück vom Tisch weggeräumt sind.** Kleine Bruchstücke, lose Holzstücke oder andere Objekte, die das rotierende Sägeblatt berühren, können mit hoher Geschwindigkeit herausgeschleudert werden.

8. **Schneiden Sie nur jeweils ein Werkstück.** Mehrere übereinander gestapelte Werkstücke lassen sich nicht angemessen einspannen oder abstützen und können am Sägeblatt klemmen oder sich während des Schneidens verlagern.
 9. **Vergewissern Sie sich vor Gebrauch, dass die Gehrungssäge auf einer ebenen, stabilen Arbeitsfläche montiert oder platziert ist.** Eine ebene und stabile Arbeitsfläche verringert die Gefahr, dass die Gehrungssäge instabil wird.
 10. **Planen Sie Ihre Arbeit. Stellen Sie bei jeder Änderung der Neigungs- oder Gehrungswinkeleinstellung sicher, dass der verstellbare Gehrungsanschlag korrekt eingestellt ist, um das Werkstück abzustützen, und dass er nicht mit dem Sägeblatt oder dem Schutzsystem in Berührung kommt.** Bewegen Sie das Sägeblatt durch einen vollständigen simulierten Schnitt, ohne das Werkzeug einzuschalten und ein Werkstück auf den Tisch zu legen, um zu gewährleisten, dass es nicht zu einer Berührung oder der Gefahr des Schneidens in den Gehrungsanschlag kommt.
 11. **Sorgen Sie für angemessene Abstützung eines Werkstücks, das breiter oder länger als die Tischplatte ist, z. B. durch Tischverlängerungen, Sägeböcke usw.** Werkstücke, die länger oder breiter als der Tisch der Gehrungssäge sind, können kippen, wenn sie nicht sicher abgestützt werden. Falls das abgeschnittene Stück oder Werkstück kippt, kann es die untere Schutzhaube anheben oder vom rotierenden Sägeblatt weggeschleudert werden.
 12. **Verwenden Sie keine zweite Person als Ersatz für eine Tischverlängerung oder zur zusätzlichen Abstützung.** Instabile Abstützung des Werkstücks kann dazu führen, dass das Sägeblatt klemmt oder das Werkstück sich während des Schneidvorgangs verlagert, so dass Sie und der Helfer in das rotierende Sägeblatt gezogen werden.
 13. **Das abgeschnittene Stücke darf nicht in irgendeiner Weise gegen das rotierende Sägeblatt geklemmt oder gedrückt werden.** Bei Einengung, z. B. durch Längenanschläge, könnte sich das abgeschnittene Stück gegen das Sägeblatt verkeilen und heftig herausgeschleudert werden.
 14. **Verwenden Sie stets eine Klemme oder eine Einspannvorrichtung, um Rundmaterial, wie z. B. Stangen oder Rohre, einwandfrei abzustützen.** Stangen neigen beim Schneiden zum Rollen, so dass das Sägeblatt „beißt“ und das Werkstück mit Ihrer Hand in das Sägeblatt zieht.
 15. **Warten Sie, bis das Sägeblatt die volle Drehzahl erreicht, bevor es das Werkstück kontaktiert.** Dadurch wird die Gefahr des Herausschleuderns des Werkstücks verringert.
 16. **Falls das Werkstück oder das Sägeblatt eingeklemmt wird, schalten Sie die Gehrungssäge aus. Warten Sie, bis alle beweglichen Teile zum Stillstand gekommen sind, und ziehen Sie dann den Stecker von der Stromquelle ab und/oder nehmen Sie den Akku ab. Befreien Sie dann das eingeklemmte Material.** Fortgesetztes Sägen mit einem eingeklemmten Werkstück könnte zum Verlust der Kontrolle oder zu einer Beschädigung der Gehrungssäge führen.
 17. **Nachdem Sie den Schnitt vollendet haben, lassen Sie den Schalter los, halten Sie den Sägekopf nach unten, und warten Sie, bis das Sägeblatt zum Stillstand kommt, bevor Sie das abgeschnittene Stück entfernen.** Es ist gefährlich, mit Ihrer Hand in die Nähe des auslaufenden Sägeblatts zu reichen.
 18. **Halten Sie den Handgriff sicher fest, wenn Sie einen unvollständigen Schnitt ausführen oder den Schalter loslassen, bevor sich der Sägekopf vollständig in der abgesenkten Position befindet.** Die Abbremsung der Säge kann bewirken, dass der Sägekopf plötzlich nach unten gezogen wird, so dass Verletzungsgefahr besteht.
 19. **Verwenden Sie nur Sägeblätter mit einem Durchmesser, der am Werkzeug markiert oder im Handbuch angegeben ist.** Die Verwendung eines Sägeblatts mit falscher Größe kann den einwandfreien Schutz des Sägeblatts oder den Schutzbetrieb beeinträchtigen, was ernsthaften Personenschaden zur Folge haben kann.
 20. **Verwenden Sie nur Sägeblätter, die mit einer Drehzahl markiert sind, die der am Werkzeug angegebenen Drehzahl entspricht oder diese übertrifft.**
 21. **Verwenden Sie die Säge nur zum Schneiden von Holz, Aluminium oder ähnlichen Materialien.**
 22. **(Nur für europäische Länder) Verwenden Sie immer ein Sägeblatt, das EN847-1 entspricht.**
- Zusätzliche Anweisungen**
1. **Machen Sie die Werkstatt mit Vorhängeschlossern kindersicher.**
 2. **Stellen Sie sich niemals auf das Werkzeug.** Durch Kippen des Werkzeugs oder versehentliche Berührung mit dem Schneidwerkzeug könnten ernsthafte Verletzungen auftreten.
 3. **Lassen Sie das Werkzeug niemals unbeaufsichtigt laufen. Schalten Sie die Stromversorgung aus. Verlassen Sie das Werkzeug nicht eher, bis es zu einem vollständigen Stillstand gekommen ist.**
 4. **Betreiben Sie die Säge nicht ohne Schutzhauben. Überprüfen Sie die Sägeblattschutzhaube vor jeder Benutzung auf einwandfreies Schließen. Betreiben Sie die Säge nicht, wenn sich die Schutzhaube nicht ungehindert bewegt und sich nicht sofort schließt. Die Schutzhaube darf auf keinen Fall in der geöffneten Stellung festgeklemmt oder festgebunden werden.**
 5. **Halten Sie Ihre Hände von der Schnittlinie des Sägeblatts fern. Vermeiden Sie die Berührung eines auslaufenden Sägeblatts. Es kann auch in diesem Zustand noch schwere Verletzungen verursachen.**
 6. **Sichern Sie stets alle beweglichen Teile, bevor Sie das Werkzeug tragen.**
 7. **Der Anschlagstift, der den Schneidkopf verriegelt, ist nur zum Tragen und zur Lagerung, nicht für irgendwelche Schneidarbeiten, vorgesehen.**

8. Überprüfen Sie das Sägeblatt vor dem Betrieb sorgfältig auf Risse oder Beschädigung. Wechseln Sie ein gerissenes oder beschädigtes Sägeblatt unverzüglich aus. An den Sägeblättern haftendes und verhärtetes Gummi und Harz verlangsamen die Säge und erhöhen die Rückschlaggefahr. Halten Sie das Sägeblatt sauber, indem Sie es vom Werkzeug abmontieren und dann mit Gummi- und Harzentferner, heißem Wasser oder Petroleum reinigen. Verwenden Sie niemals Benzin zum Reinigen des Sägeblatts.
9. Verwenden Sie nur die für dieses Werkzeug vorgeschriebenen Flansche.
10. Achten Sie sorgfältig darauf, dass die Spindel, die Flansche (insbesondere die Ansatzfläche) oder die Schraube nicht beschädigt werden. Eine Beschädigung dieser Teile kann zu einem Sägeblattbruch führen.
11. Vergewissern Sie sich, dass der Drehteller einwandfrei gesichert ist, damit er sich während des Betriebs nicht bewegt. Verwenden Sie die Löcher in der Grundplatte, um die Säge an einer stabilen Arbeitsbühne oder Werkbank zu befestigen. Benutzen Sie das Werkzeug **NIEMALS** in Situationen, bei denen der Bediener gezwungen wäre, eine ungünstige Position einzunehmen.
12. Vergewissern Sie sich vor dem Einschalten des Werkzeugs, dass die Spindelarretierung freigegeben ist.
13. Vergewissern Sie sich, dass das Sägeblatt in der tiefsten Position nicht mit dem Drehteller in Berührung kommt.
14. Halten Sie den Handgriff sicher fest. Beachten Sie, dass sich die Säge beim Anlaufen und Abstellen geringfügig nach oben oder unten bewegt.
15. Vergewissern Sie sich vor dem Einschalten des Werkzeugs, dass das Sägeblatt nicht das Werkstück berührt.
16. Lassen Sie das Werkzeug vor dem eigentlichen Schneiden eines Werkstücks eine Weile laufen. Achten Sie auf Vibrationen oder Taumelbewegungen, die Anzeichen für schlechte Montage oder ein schlecht ausgewuchtetes Sägeblatt sein können.
17. Brechen Sie sofort den Betrieb ab, wenn Sie irgend etwas Ungewöhnliches bemerken.
18. Versuchen Sie nicht, den Auslöser in der EIN-Stellung zu verriegeln.
19. Verwenden Sie stets das in dieser Anleitung empfohlene Zubehör. Der Gebrauch ungeeigneten Zubehörs, wie z. B. Schleifscheiben, kann Verletzungen zur Folge haben.
20. Manche Materialien können giftige Chemikalien enthalten. Treffen Sie Vorsichtsmaßnahmen, um das Einatmen von Arbeitsstaub und Hautkontakt zu verhindern. Befolgen Sie die Sicherheitsdaten des Materialherstellers.

Zusätzliche Sicherheitsregeln für den Laser

1. **LASERSTRAHLUNG. NICHT IN DEN STRAHL BLICKEN ODER DIREKT MIT OPTISCHEN INSTRUMENTEN BETRACHTEN. LASERPRODUKT DER KLASSE 2M.**

BEWAHREN SIE DIESE ANLEITUNG AUF.

⚠️ WARNUNG: Lassen Sie sich **NICHT** durch Bequemlichkeit oder Vertrautheit mit dem Produkt (durch wiederholten Gebrauch erworben) von der strikten Einhaltung der Sicherheitsregeln für das vorliegende Produkt abhalten. **MISSBRAUCH** oder **Missachtung der Sicherheitsvorschriften** in dieser Anleitung können schwere Personenschäden verursachen.

INSTALLATION

Der Handgriff wurde werkseitig vor dem Versand mit dem Anschlagstift in der Tiefstellung verriegelt. Lösen Sie die Schraube mit einem im Lieferumfang des Werkzeugs enthaltenen Schraubenschlüssel, und stellen Sie den Sägekopf auf den rechten Winkel ein. Entfernen Sie die Schraube, und sichern Sie den Sägekopf mit dem Knopf.

► **Abb.2:** 1. Schraubenschlüssel

► **Abb.3:** 1. Knopf

Montieren der Kippsicherung

Montieren Sie die Kippsicherung in der Bohrung im Werkzeugsockel, und sichern Sie sie durch Anziehen der Schraube.

► **Abb.4:** 1. Kippsicherung 2. Schraube 3. Sockel

Werkbankmontage

Der Handgriff wurde werkseitig vor dem Versand mit dem Anschlagstift in der Tiefstellung verriegelt. Lösen Sie die Verriegelung, indem Sie den Handgriff etwas herunterdrücken und den Anschlagstift herausziehen.

► **Abb.5:** 1. Anschlagstift

Dieses Werkzeug sollte unter Verwendung der Schraubenbohrungen im Werkzeugsockel mit vier Schrauben auf einer ebenen und stabilen Oberfläche befestigt werden. Dadurch werden Umkippen und mögliche Verletzungen vermieden.

► **Abb.6:** 1. Schraube

FUNKTIONSBESCHREIBUNG

⚠ VORSICHT: Vergewissern Sie sich vor jeder Einstellung oder Funktionsprüfung des Werkzeugs stets, dass es ausgeschaltet und vom Stromnetz getrennt ist.

Sägeblattschutzhaube

► **Abb.7:** 1. Sägeblattschutzhaube

Wird der Handgriff abgesenkt, hebt sich die Sägeblattschutzhaube automatisch. Die Schutzhaube ist gefedert, so dass sie in ihre Ausgangsstellung zurückkehrt, wenn der Schnitt vollendet ist und der Handgriff angehoben wird. DIE SÄGEBLATTSCHUTZHAUBE ODER DIE DARAN ANGEBRACHTE FEDER DARF AUF KEINEN FALL FUNKTIONSunFÄHIG GEMACHT ODER ENTFERNT WERDEN.

Im Interesse Ihrer eigenen Sicherheit sollten Sie die Sägeblattschutzhaube stets in ordnungsgemäßem Zustand halten. Funktionsstörungen der Sägeblattschutzhaube müssen sofort behoben werden. Überprüfen Sie die gefederte Rückkehrbewegung der Schutzhaube. BENUTZEN SIE DAS WERKZEUG NIEMALS MIT BESCHÄDIGTER, DEFEKTER ODER FEHLENDER SÄGEBLATTSCHUTZHAUBE ODER FEDER. DIES IST ÄUSSERST GEFÄHRLICH UND KANN SCHWERE PERSONENSCHÄDEN VERURSACHEN.

Wenn die transparente Sägeblattschutzhaube schmutzig wird oder soviel Sägemehl an ihr haftet, dass das Sägeblatt und/oder Werkstück nicht mehr ohne weiteres sichtbar ist, sollten Sie die Säge vom Stromnetz trennen und die Schutzhaube mit einem feuchten Tuch sorgfältig reinigen. Verwenden Sie keine Lösungsmittel oder Reinigungsmittel auf Petroleumbasis zum Reinigen der Kunststoff-Schutzhaube.

Wenn bei besonders starker Verschmutzung der Schutzhaube die Sicht durch die Sägeblattschutzhaube behindert ist, lösen Sie die Sechskantschraube, mit der die Mittenabdeckung befestigt ist, mit dem mitgelieferten Schraubenschlüssel. Lösen Sie die Sechskantschraube durch Drehen entgegen dem Uhrzeigersinn, und heben Sie die Sägeblattschutzhaube und die Mittenabdeckung an. In dieser Stellung der Sägeblattschutzhaube kann die Reinigung gründlicher und effizienter durchgeführt werden. Wenden Sie nach der Reinigung das obige Verfahren umgekehrt an, und ziehen Sie die Schraube an. Entfernen Sie nicht die Feder, welche die Sägeblattschutzhaube hält. Falls sich die Schutzhaube durch Alterung oder UV-Strahlung verfärbt, bestellen Sie eine neue Schutzhaube bei einer Makita-Kundendienststelle. DIE SCHUTZHAUBE DARF NICHT FUNKTIONSunFÄHIG GEMACHT ODER ENTFERNT WERDEN.

► **Abb.8:** 1. Sägeblattschutzhaube

Schlitzplatte

Dieses Werkzeug ist mit einer Schlitzplatte im Drehteller versehen, um Reißen am Austrittsende eines Schnitts auf ein Minimum zu reduzieren. Wenn die Kerbnut noch nicht werkseitig in die Schlitzplatte geschnitten worden ist, sollten Sie die Nut schneiden, bevor Sie tatsächlich ein Werkstück mit dem Werkzeug schneiden. Schalten Sie das Werkzeug ein, und senken Sie das Sägeblatt sachte ab, um eine Nut in die Schlitzplatte zu schneiden.

► **Abb.9:** 1. Schlitzplatte

Aufrechterhaltung der maximalen Schnittleistung

Dieses Werkzeug wurde werkseitig so eingestellt, dass die maximale Schnittleistung mit einem Sägeblatt von 255 mm Durchmesser erreicht wird.

Wenn Sie ein neues Sägeblatt montieren, überprüfen Sie immer die untere Grenzposition des Sägeblatts, und nehmen Sie nötigenfalls eine Einstellung vor, wie folgt:

Zuerst den Netzstecker abziehen. Senken Sie den Handgriff völlig ab. Drehen Sie die Einstellschraube mit dem Schraubenschlüssel, bis der Sägeblattumfang am Berührungspunkt von Gehrungsanschlag-Vorderseite und Drehteller-Oberfläche geringfügig unterhalb der Drehteller-Oberfläche liegt.

► **Abb.10:** 1. Einstellschraube

Drehen Sie das Sägeblatt bei vom Stromnetz getrenntem Werkzeug von Hand, während Sie den Handgriff ganz nach unten gedrückt halten, um sicherzugehen, dass das Sägeblatt keinen Teil des Drehtellers berührt. Nötigenfalls ist eine Nachjustierung vorzunehmen.

► **Abb.11:** 1. Drehteller-Oberfläche
2. Sägeblattumfang 3. Gehrungsanschlag

⚠ VORSICHT: Vergewissern Sie sich nach der Montage eines neuen Sägeblatts stets, dass das Sägeblatt, auch wenn der Handgriff ganz nach unten abgesenkt wird, keinen Teil des Drehtellers berührt. Führen Sie diese Überprüfung immer bei abgezogenem Netzstecker durch.

Einstellen des Gehrungswinkels

► **Abb.12:** 1. Verriegelungshebel 2. Griff

Lösen Sie den Griff durch Linksdrehung. Drehen Sie den Drehteller, während Sie den Verriegelungshebel niederdrücken. Bewegen Sie den Griff, bis der Zeiger auf den gewünschten Winkel der Gehrungswinkelskala zeigt, und ziehen Sie dann den Griff durch Rechtsdrehung fest.

⚠ VORSICHT: Heben Sie den Handgriff vollständig an, bevor Sie den Drehteller drehen.

⚠ VORSICHT: Sichern Sie den Drehteller nach jeder Änderung des Gehrungswinkels stets durch Anziehen des Griffs gegen Verdrehen.

Einstellen des Neigungswinkels

► Abb.13: 1. Knopf

Um den Neigungswinkel einzustellen, lösen Sie den Knopf auf der Rückseite des Werkzeugs durch Linksdrehen.

► Abb.14: 1. Zeiger

Schwenken Sie den Handgriff nach links, um das Sägeblatt zu neigen, bis der Zeiger auf den gewünschten Winkel der Neigungswinkelskala zeigt. Ziehen Sie dann den Knopf durch Rechtsdrehen fest, um den Arm einwandfrei zu sichern.

⚠ VORSICHT: Bringen Sie den Handgriff ganz nach oben, bevor Sie das Sägeblatt neigen.

⚠ VORSICHT: Sichern Sie den Arm nach jeder Änderung des Neigungswinkels stets durch Anziehen des Hebels im Uhrzeigersinn.

Schalterfunktion

⚠ WARNUNG: Vergewissern Sie sich vor dem Anschließen des Werkzeugs an das Stromnetz stets, dass der Ein-Aus-Schalter ordnungsgemäß funktioniert und beim Loslassen in die AUS-Stellung zurückkehrt. Der Betrieb des Werkzeugs mit fehlerhaftem Schalter kann zum Verlust der Kontrolle und zu schweren Verletzungen führen.

⚠ WARNUNG: Benutzen Sie das Werkzeug NIEMALS, wenn der Ein-Aus-Schalter nicht voll funktionsfähig ist. Ein Werkzeug mit funktionsunfähigem Schalter ist ÄUSSERST GEFÄHRLICH und muss vor weiterem Gebrauch repariert werden. Anderenfalls kann es zu schweren Verletzungen kommen.

► Abb.15: 1. Ein-Aus-Schalter 2. Einschaltsperrknopf

Um versehentliche Betätigung des Auslöseschalters zu verhindern, ist das Werkzeug mit einem Einschaltsperrknopf ausgestattet. Betätigen Sie zum Starten des Werkzeugs den Auslöseschalter bei gedrücktem Einschaltsperrknopf. Lassen Sie zum Ausschalten den Auslöseschalter los.

MONTAGE

⚠ VORSICHT: Vergewissern Sie sich vor der Ausführung von Arbeiten am Werkzeug stets, dass es ausgeschaltet und vom Stromnetz getrennt ist.

Montieren und Demontieren des Sägeblatts

⚠ VORSICHT: Vergewissern Sie sich vor der Montage oder Demontage des Sägeblatts stets, dass das Werkzeug ausgeschaltet und vom Stromnetz getrennt ist.

⚠ VORSICHT: Verwenden Sie nur den mitgelieferten Makita-Schraubenschlüssel zum Montieren und Demontieren des Sägeblatts. Anderenfalls besteht die Gefahr, dass die Sechskantschraube zu fest oder unzureichend angezogen wird. Dies könnte zu einer Verletzung führen.

Halten Sie den Handgriff zum Demontieren oder Montieren des Sägeblatts in der angehobenen Stellung.

Zum Demontieren des Sägeblatts lösen Sie zunächst die Sechskantschraube, mit der die Mittenabdeckung befestigt ist, durch Linksdrehung mit dem Schraubenschlüssel. Heben Sie die Sägeblattschutzhaube und die Mittenabdeckung an.

► Abb.16: 1. Schraubenschlüssel 2. Mittenabdeckung

► Abb.17: 1. Sechskantschraube

Blockieren Sie die Spindel durch Drücken der Spindelarreterierung, und lösen Sie die Sechskantschraube durch Rechtsdrehung des Schraubenschlüssels. Nehmen Sie dann Sechskantschraube, Außenflansch und Sägeblatt ab.

► Abb.18: 1. Sechskantschraube 2. Schraubenschlüssel

Zum Montieren schieben Sie das Sägeblatt vorsichtig auf die Spindel, wobei Sie darauf achten, dass der Pfeil auf dem Sägeblatt in dieselbe Richtung zeigt wie der Pfeil auf dem Sägeblattgehäuse.

► Abb.19: 1. Sägeblattgehäuse 2. Pfeil 3. Pfeil 4. Sägeblatt

Bringen Sie Außenflansch und Sechskantschraube an, und ziehen Sie dann die Sechskantschraube (linksgängig) bei gedrückter Spindelarreterierung durch Linksdrehung des Schraubenschlüssels fest.

► Abb.20: 1. Spindel 2. Flansch 3. Sägeblatt 4. Flansch 5. Sechskantschraube 6. Ring

⚠ VORSICHT: Der Ring von 25,4 mm oder 30 mm Außendurchmesser wurde werkseitig auf die Spindel montiert. Bevor Sie das Sägeblatt an der Spindel anbringen, sollten Sie sich stets vergewissern, dass der korrekte Ring für die Spindelbohrung des zu benutzenden Sägeblatts auf die Spindel montiert ist.

Bringen Sie die Sägeblattschutzhaube und die Mittenabdeckung wieder in ihre Ausgangsstellung. Ziehen Sie dann die Sechskantschraube zur Sicherung der Mittenabdeckung im Uhrzeigersinn an. Senken Sie den Handgriff ab, um zu prüfen, ob sich die Sägeblattschutzhaube einwandfrei bewegt. Vergewissern Sie sich vor der Benutzung des Werkzeugs, dass die Spindelarreterierung gelöst ist.

Zusatzanschlag

Länderspezifisch

⚠ WARNUNG: Klappen Sie den Zusatzanschlag zur Durchführung von linksseitigen Neigungsschnitten nach außen. Anderenfalls kann er mit dem Sägeblatt oder einem anderen Teil des Werkzeugs in Berührung kommen, was schwere Verletzungen der Bedienungsperson zur Folge haben kann.

► Abb.21: 1. Zusatzanschlag

Dieses Werkzeug ist mit einem Zusatzanschlag ausgestattet. Der Zusatzanschlag ist normalerweise innen zu positionieren. Zur Durchführung von linksseitigen Neigungsschnitten ist er jedoch nach außen zu klappen.

Anschließen eines Saugeräts

Um saubere Schneidarbeiten durchzuführen, schließen Sie ein Makita-Sauggerät an.

► Abb.22

Staubsaack

► Abb.23: 1. Staubsaack

► Abb.24: 1. Verschluss

Der Staubsaack ermöglicht sauberes Arbeiten und einfaches Staubsammeln. Zum Anbringen wird der Staubsaack auf den Absaugstutzen geschoben. Wenn der Staubsaack etwa halb voll ist, nehmen Sie ihn vom Werkzeug ab und ziehen den Verschluss heraus. Entleeren Sie den Staubsaack, indem Sie ihn leicht abklappen, um die an den Innenflächen haftenden Staubpartikel, die den Durchlass behindern können, zu lösen.

Sicherung von Werkstücken

⚠️ WARNUNG: Die einwandfreie Sicherung des Werkstücks mit dem Schraubstock ist äußerst wichtig. Nachlässigkeit in diesem Punkt kann zu einer Beschädigung des Werkzeugs und/oder Zerstörung des Werkstücks führen. AUSSERDEM KANN ES ZU PERSONENSCHÄDEN KOMMEN. Außerdem sollte das Sägeblatt nach erfolgreichem Schnitt NICHT eher angehoben werden, bis es zum völligen Stillstand gekommen ist.

⚠️ VORSICHT: Wenn Sie lange Werkstücke schneiden, verwenden Sie Stützen, die ebenso hoch sind wie die Oberseite des Drehtellers. Verlassen Sie sich nicht nur auf die Vertikal- und/oder Horizontal-Schraubstock zur Sicherung des Werkstücks. Dünnes Material neigt zum Durchhängen. Stützen Sie das Werkstück auf seiner gesamten Länge ab, um Klemmen des Sägeblatts und möglichen RÜCKSCHLAG zu vermeiden.

► Abb.25: 1. Stütze 2. Drehteller

Vertikal-Schraubstock

- Abb.26: 1. Schraubstockknopf
2. Schraube 3. Schraubstockarm
4. Schraubstockstange

Der Vertikal-Schraubstock kann entweder auf der linken oder rechten Seite des Gehrungsanschlags montiert werden. Setzen Sie den Stehbolzen in die Bohrung des Gehrungsanschlags ein, und sichern Sie ihn durch Anziehen der Schraube.

Stellen Sie den Schraubstockarm auf die Abmessungen des Werkstücks ein, und sichern Sie ihn durch Anziehen der Schraube. Vergewissern Sie sich, dass keine Werkzeuggesteile mit dem Schraubstock in Berührung kommen, wenn der Handgriff bis zum Anschlag abgesenkt wird. Falls irgendwelche Teile mit dem Schraubstock in Berührung kommen, ist der Schraubstock zu versetzen.

Drücken Sie das Werkstück flach gegen Gehrungsanschlag und Drehteller. Bringen Sie das Werkstück in die gewünschte Schnittposition, und sichern Sie es einwandfrei durch Anziehen des Schraubstockknopfes.

⚠️ VORSICHT: Das Werkstück muss bei allen Operationen mit dem Schraubstock fest gegen Drehteller und Gehrungsanschlag gesichert werden.

BETRIEB

⚠️ VORSICHT: Lösen Sie den Handgriff vor der Benutzung unbedingt aus der Tiefstellung, indem Sie den Anschlagstift herausziehen.

⚠️ VORSICHT: Vergewissern Sie sich vor dem Einschalten des Werkzeugs, dass das Sägeblatt nicht das Werkstück usw. berührt.

⚠️ VORSICHT: Üben Sie beim Schneiden keinen übermäßigen Druck auf den Handgriff aus. Zu starker Druck kann zu Überlastung des Motors und/oder verminderter Schnittleistung führen. Drücken Sie den Handgriff nur mit so viel Kraft nieder, wie für reibungslosen Sägebetrieb notwendig ist, ohne einen beträchtlichen Abfall der Sägeblatt Drehzahl zu verursachen.

⚠️ VORSICHT: Drücken Sie den Handgriff zur Ausführung des Schnitts sachte nieder. Bei zu großer oder seitlicher Kraftausübung kann das Sägeblatt in Schwingung versetzt werden, wodurch zusätzliche Sägespuren im Werkstück erzeugt werden und die Schnittgenauigkeit beeinträchtigt werden kann.

⚠️ VORSICHT: Lösen Sie den Sägekopf nicht unkontrolliert aus der vollständig abgesenkten Position. Der unkontrollierte Sägekopf könnte Sie treffen und Personenschäden verursachen.

Kappschnitt

► Abb.27: 1. Vertikal-Schraubstock

Spannen Sie das Werkstück mit dem Schraubstock ein. Schalten Sie das Werkzeug ein, ohne dass das Sägeblatt Kontakt hat, und warten Sie, bis es seine volle Drehzahl erreicht, bevor Sie es absenken. Senken Sie dann den Handgriff zum Schneiden des Werkstücks sachte bis zum Anschlag ab. Sobald der Schnitt beendet ist, schalten Sie das Werkzeug aus, und WARTEN SIE, BIS DAS SÄGEBLATT ZUM VÖLLIGEN STILLSTAND GEKOMMEN IST, bevor Sie das Sägeblatt wieder ganz anheben.

Gehrungsschnitt

Nehmen Sie auf den Abschnitt zum Einstellen des Gehrungswinkels Bezug.

Neigungsschnitt

► Abb.28

Lösen Sie den Knopf, und neigen Sie das Sägeblatt zum Einstellen des Neigungswinkels (siehe den obigen Abschnitt „Einstellen des Neigungswinkels“). Ziehen Sie den Knopf unbedingt wieder fest an, um den eingestellten Neigungswinkel einwandfrei zu sichern. Spannen Sie das Werkstück mit einem Schraubstock ein. Schalten Sie das

Werkzeug ein, ohne dass das Sägeblatt Kontakt hat, und warten Sie, bis es seine volle Drehzahl erreicht. Senken Sie dann den Handgriff langsam bis zum Anschlag ab, während Sie Druck parallel zum Sägeblatt ausüben. Sobald der Schnitt beendet ist, schalten Sie das Werkzeug aus, und WARTEN SIE, BIS DAS SÄGEBLATT ZUM VÖLLIGEN STILLSTAND GEKOMMEN IST, bevor Sie das Sägeblatt wieder ganz anheben.

⚠ VORSICHT: Vergewissern Sie sich stets, dass sich das Sägeblatt während eines Neigungsschnitts in Schrägrichtung senkt. Halten Sie Ihre Hände von der Schnittlinie des Sägeblatts fern.

⚠ VORSICHT: Bei Neigungsschnitten kann es vorkommen, dass das abgeschnittene Stück an der Seitenfläche des Sägeblatts aufliegt. Durch Anheben des Sägeblatts bei noch laufendem Werkzeug kann das Werkstück vom Sägeblatt erfasst werden, was zu gefährlichem Herausschleudern von Bruchstücken führen kann. Das Sägeblatt darf erst angehoben werden, nachdem es zum völligen Stillstand gekommen ist.

⚠ VORSICHT: Üben Sie den Druck auf den Handgriff immer nur parallel zum Sägeblatt aus. Verläuft die Druckrichtung während eines Schnitts nicht parallel zum Sägeblatt, kann sich der Winkel des Sägeblatts verändern, wodurch die Schnittgenauigkeit beeinträchtigt wird.

⚠ VORSICHT: (nur für Werkzeuge mit Zusatzanschlag) Setzen Sie den Zusatzanschlag immer auf die Außenseite, wenn Sie linksseitige Neigungsschnitte ausführen.

Compoundschnitt

Unter Compoundschnitt versteht man das Schneiden eines Werkstücks mit gleichzeitiger Gehrungs- und Neigungswinkeleinstellung. Compoundschnitte können in dem in der nachstehenden Tabelle angegebenen Winkel durchgeführt werden.

Neigungswinkel	Gehrungswinkel
45°	Links und Rechts 0° - 45°

Nehmen Sie zur Durchführung von Compoundschnitten auf die Erläuterungen unter „Kappschnitt“, „Gehrungsschnitt“ und „Neigungsschnitt“ Bezug.

Schneiden von Decken- und Hohlleisten

Decken- und Hohlleisten können flach auf dem Drehteller liegend mit einer Kapp- und Gehrungssäge geschnitten werden.

Es gibt zwei allgemeine Deckenleistentypen und einen Hohlleistentyp: Deckenleiste mit 52/38° Wandwinkel, Deckenleiste mit 45° Wandwinkel und Hohlleiste mit 45° Wandwinkel.

- **Abb.29:** 1. 52/38°-Deckenleistentyp
2. 45°-Deckenleistentyp
3. 45°-Hohlleistentyp

Es gibt Decken- und Hohlleistenstöße, die in 90°-Innenecken ((a) und (b) in der Abbildung) und 90°-Außenecken ((c) und (d) in der Abbildung) passen.

- **Abb.30:** 1. Innenecke 2. Außenecke

- **Abb.31:** 1. Innenecke 2. Außenecke

Messen

Messen Sie die Wandbreite, und stellen Sie die Breite des Werkstücks dementsprechend ein. Vergewissern Sie sich stets, dass die Breite der Wandkontaktkante des Werkstücks der Wandlänge entspricht.

- **Abb.32:** 1. Werkstück 2. Wandbreite 3. Breite des Werkstücks 4. Wandkontaktkante

Verwenden Sie stets mehrere Stücke für Probeschnitte, um die Sägewinkel zu überprüfen.

Wenn Sie Decken- und Hohlleisten schneiden, stellen Sie den Neigungs- und Gehrungswinkel gemäß den Angaben in Tabelle (A) ein, und legen Sie die Leisten auf die Oberseite der Grundplatte, wie in Tabelle (B) angegeben.

Im Falle eines Linksneigungsschnitts

- **Abb.33:** 1. Innenecke 2. Außenecke

Tabelle (A)

–	Leistenposition in der Abbildung	Neigungswinkel		Gehrungswinkel	
		52/38°-Typ	45°-Typ	52/38°-Typ	45°-Typ
Für Innenecke	(a)	Links 33,9°	Links 30°	Rechts 31,6°	Rechts 35,3°
	(b)			Links 31,6°	Links 35,3°
Für Außenecke	(c)			Rechts 31,6°	Rechts 35,3°
	(d)			Rechts 31,6°	Rechts 35,3°

Tabelle (B)

–	Leistenposition in der Abbildung	Leistenkante gegen Gehrungsanschlag	Fertiges Stück
Für Innenecke	(a)	Die Deckenkontaktkante muss am Gehrungsanschlag anliegen.	Das fertige Stück befindet sich auf der linken Seite des Sägeblatts.
	(b)	Die Wandkontaktkante muss am Gehrungsanschlag anliegen.	
Für Außenecke	(c)	Die Deckenkontaktkante muss am Gehrungsanschlag anliegen.	Das fertige Stück befindet sich auf der rechten Seite des Sägeblatts.
	(d)	Die Wandkontaktkante muss am Gehrungsanschlag anliegen.	

Beispiel:

Schneiden einer 52/38°-Deckenleiste für Position (a) in der obigen Abbildung:

- Neigungswinkel auf 33,9° LINKS einstellen und sichern.
- Gehrungswinkel auf 31,6° RECHTS einstellen und sichern.
- Legen Sie die Deckenleiste mit ihrer breiten (verborgenen) Rückseite auf den Drehteller, so dass ihre DECKENKONTAKTKANTE am Gehrungsanschlag der Säge anliegt.
- Das zu verwendende fertige Stück befindet sich nach der Ausführung des Schnitts immer auf der LINKEN Seite des Sägeblatts.

Schneiden von Aluminium-Strangpressprofilen

- **Abb.34:** 1. Schraubstock 2. Distanzblock
3. Gehrungsanschlag 4. Aluminium-Strangpressprofil 5. Distanzblock

Verwenden Sie zum Einspannen von Aluminium-Strangpressprofilen Distanzblöcke oder Abfallholzstücke, wie in der Abbildung gezeigt, um eine Verformung des Aluminiums zu vermeiden. Verwenden Sie Schneidschmiermittel zum Schneiden von Aluminium-Strangpressprofilen, um die Ablagerung von Aluminium-Rückständen am Sägeblatt zu verhüten.

⚠ VORSICHT: Versuchen Sie niemals, dickes oder rundes Aluminium-Strangpressmaterial zu schneiden. Dicke Aluminium-Strangpressprofile können sich während der Arbeit lösen, und runde Aluminium-Strangpressprofile lassen sich mit diesem Werkzeug nicht einwandfrei einspannen.

Zwischenbrett

⚠ WARNUNG: Befestigen Sie das Zwischenbrett mit Schrauben am Gehrungsanschlag. Die Schrauben sind so zu installieren, dass die Schraubenköpfe unter der Oberfläche des Zwischenbretts versenkt sind, damit sie nicht die Lage des zu schneidenden Materials behindern. Eine Fehlausrichtung des zu schneidenden Materials kann unerwartete Bewegung während des Schneidvorgangs verursachen, die zum Verlust der Kontrolle und schweren Personenschäden führen kann.

⚠ VORSICHT: Verwenden Sie glatt gehobeltes Holz von gleichmäßiger Dicke als Zwischenbrett.

Durch die Verwendung eines Zwischenbretts lassen sich Werkstücke splitterfrei sägen. Die Bohrungen im Gehrungsanschlag dienen als Befestigungshilfe für ein Zwischenbrett. Die Maße für ein vorgeschlagenes Zwischenbrett sind aus der Abbildung ersichtlich.

- **Abb.35:** 1. Löcher

ANMERKUNG: Drehen Sie den Drehteller bei montiertem Zwischenbrett nicht mit abgenutztem Handgriff. Anderenfalls kommt es zu einer Beschädigung des Sägeblatts und/oder des Zwischenbretts.

HINWEIS: Die maximale Schnittbreite wird je nach der Breite des Zwischenbretts kleiner.

Wiederholtes Schneiden auf gleiche Länge

Wenn Sie mehrere Materialstücke auf dieselbe Länge schneiden, innerhalb des Bereichs von 240 mm bis 380 mm, verwenden Sie die Anschlagplatte (Sonderzubehör). Montieren Sie die Anschlagplatte am Auflagebügel (Sonderzubehör), wie in der Abbildung gezeigt.

- **Abb.36:** 1. Anschlagplatte 2. Auflagebügel
3. Schraube

Richten Sie die Schnittlinie des Werkstücks entweder auf die linke oder rechte Kante der Nut in der Schlitzplatte aus, und schieben Sie die Anschlagplatte bündig gegen das Ende des Werkstücks, während Sie das Werkstück halten. Sichern Sie dann die Anschlagplatte mit der Flügelschraube. Wenn Sie die Anschlagplatte nicht benutzen, lösen Sie die Flügelschraube, um die Anschlagplatte zur Seite zu schieben.

HINWEIS: Der Auflageverlängerungssatz (Sonderzubehör) ermöglicht das wiederholte Schneiden auf gleiche Längen von bis zu etwa 2.200 mm.

Tragen des Werkzeugs

- **Abb.37:** 1. Anschlagstift

Vergewissern Sie sich, dass das Werkzeug vom Stromnetz getrennt ist. Sichern Sie das Sägeblatt bei einem Neigungswinkel von 0°, und den Drehteller ganz in der linken Gehrungswinkelstellung. Senken Sie den Handgriff ganz ab, und arretieren Sie ihn in der Tiefstellung durch Einschieben des Anschlagstifts. Tragen Sie das Werkzeug am Tragegriff, wie in der Abbildung gezeigt. Das Werkzeug lässt sich bequemer tragen, wenn Auflagebügel, Staubsack usw. entfernt werden.

- **Abb.38**

⚠ VORSICHT: Sichern Sie stets alle beweglichen Teile, bevor Sie das Werkzeug tragen.

⚠ VORSICHT: Der Anschlagstift ist nur zum Tragen und zur Lagerung, nicht für irgendwelche Schneidarbeiten, vorgesehen.

WARTUNG

⚠ WARNUNG: Achten Sie stets darauf, dass das Sägeblatt scharf und sauber ist, um die bestmögliche und sicherste Leistung zu erzielen. Der Versuch, einen Schnitt mit einem stumpfen und/oder verschmutzten Sägeblatt auszuführen, kann Rückschlag verursachen und zu schweren Personenschäden führen.

⚠ VORSICHT: Vergewissern Sie sich vor der Durchführung von Überprüfungen oder Wartungsarbeiten des Werkzeugs stets, dass es ausgeschaltet und vom Stromnetz getrennt ist.

ANMERKUNG: Verwenden Sie auf keinen Fall Benzin, Waschbenzin, Verdünnern, Alkohol oder dergleichen. Solche Mittel können Verfärbung, Verformung oder Rissbildung verursachen.

Einstellen des Schnittwinkels

Dieses Werkzeug wurde werksseitig sorgfältig eingestellt und justiert, doch grobe Behandlung kann die Justierung beeinträchtigen. Sollte Ihr Werkzeug einer Nachjustierung bedürfen, gehen Sie folgendermaßen vor:

Gehrungswinkel

► Abb.39: 1. Sechskantschraube

Lösen Sie den Griff, mit dem der Drehteller gesichert wird. Drehen Sie dann den Drehteller, so dass der Zeiger auf 0° auf der Gehrungswinkelskala zeigt. Ziehen Sie den Griff an, und lösen Sie die Sechskantschrauben, die den Gehrungsanschlag halten, mit dem Schraubenschlüssel. Falls der Zeiger nicht auf 0° auf der Gehrungswinkelskala zeigt, lösen Sie die Schraube, die den Zeiger sichert, und verschieben und sichern Sie die Zeigerplatte so, dass der Zeiger auf 0° auf der Gehrungswinkelskala zeigt.

Senken Sie den Handgriff ganz ab, und arretieren Sie ihn in der Tiefstellung durch Einschieben des Anschlagstifts. Bringen Sie die Seitenfläche des Sägeblatts mit Hilfe eines Einstelldreiecks, Anschlagwinkels usw. in den rechten Winkel mit der Fläche des Gehrungsanschlags. Ziehen Sie dann die Sechskantschrauben des Gehrungsanschlags von rechts der Reihe nach fest.

► Abb.40: 1. Einstelldreieck

Neigungswinkel

0°-Neigungswinkel

► Abb.41: 1. 0°-Neigungswinkel-Einstellschraube

Senken Sie den Handgriff ganz ab, und arretieren Sie ihn in der Tiefstellung durch Einschieben des Anschlagstifts. Lösen Sie den Knopf auf der Rückseite des Werkzeugs. Lösen Sie die Sechskantmutter, und drehen Sie die 0°-Neigungswinkel-Einstellschraube auf der rechten Seite des Drehtellers um zwei bis drei Umdrehungen im Uhrzeigersinn, um das Sägeblatt nach rechts zu neigen. Bringen Sie die Seitenfläche des Sägeblatts mit Hilfe eines Einstelldreiecks, Anschlagwinkels usw. in den rechten Winkel mit der Drehteller-Oberfläche, indem Sie die 0°-Neigungswinkel-Einstellschraube entgegen dem Uhrzeigersinn drehen. Ziehen Sie dann die Sechskantmutter fest, um die 0°-Neigungswinkel-Einstellschraube zu sichern, und ziehen Sie den Knopf einwandfrei fest.

Vergewissern Sie sich, dass der Zeiger am Arm auf 0° der Neigungswinkelskala zeigt. Falls er nicht auf 0° auf der Neigungswinkelskala zeigt, lösen Sie die Schraube, die den Zeiger sichert, und verschieben und sichern Sie die Zeigerplatte so, dass der Zeiger auf 0° auf der Neigungswinkelskala zeigt.

► Abb.42: 1. Einstelldreieck 2. Sägeblatt 3. Drehteller-Oberfläche

► Abb.43: 1. Zeiger

45°-Neigungswinkel

► Abb.44: 1. 45°-Neigungswinkel-Einstellschraube 2. Zeiger

Der 45°-Neigungswinkel kann erst nach erfolgter Einstellung des 0°-Neigungswinkels eingestellt werden. Zum Einstellen des linksseitigen 45°-Neigungswinkels lösen Sie den Knopf, und neigen Sie das Sägeblatt ganz nach links. Vergewissern Sie sich, dass der Zeiger am Arm auf 45° der Neigungswinkelskala am Arm zeigt.

Falls der Zeiger nicht auf 45° zeigt, drehen Sie die 45°-Neigungswinkel-Einstellschraube auf der linken Seite des Arms, bis der Zeiger auf 45° zeigt.

Auswechseln der Kohlebürsten

► Abb.45

Die Kohlebürsten müssen regelmäßig entfernt und überprüft werden. Wenn sie bis auf eine Länge von 3 mm abgenutzt sind, müssen sie erneuert werden. Halten Sie die Kohlebürsten stets sauber, damit sie ungehindert in den Haltern gleiten können. Beide Kohlebürsten sollten gleichzeitig ausgewechselt werden. Verwenden Sie nur identische Kohlebürsten. Drehen Sie die Bürstenhalterkappen mit einem Schraubendreher heraus. Nehmen Sie die abgenutzten Kohlebürsten heraus, setzen Sie die neuen ein, und drehen Sie dann die Bürstenhalterkappen wieder ein.

► Abb.46: 1. Bürstenhalterkappe 2. Schraubendreher

Nach dem Gebrauch

Wischen Sie nach dem Gebrauch am Werkzeug haftende Späne und Staub mit einem Tuch oder dergleichen ab. Halten Sie die Sägeblattschutzhaube gemäß den Anweisungen im vorhergehenden Abschnitt „Sägeblattschutzhaube“ sauber. Schmieren Sie die Gleitteile des Werkzeugs mit Öl, um Rostbildung zu verhüten.

Um die SICHERHEIT und ZUVERLÄSSIGKEIT dieses Produkts zu gewährleisten, sollten Reparaturen und andere Wartungs- oder Einstellarbeiten nur von Makita-Vertragswerkstätten oder Makita-Kundendienstzentren unter ausschließlicher Verwendung von Makita-Originalersatzteilen ausgeführt werden.

SONDERZUBEHÖR

⚠ VORSICHT: Die folgenden Zubehörteile oder Vorrichtungen werden für den Einsatz mit dem in dieser Anleitung beschriebenen Makita-Werkzeug empfohlen. Die Verwendung anderer Zubehörteile oder Vorrichtungen kann eine Verletzungsgefahr darstellen. Verwenden Sie Zubehörteile oder Vorrichtungen nur für ihren vorgesehenen Zweck.

Wenn Sie weitere Einzelheiten bezüglich dieser Zubehörteile benötigen, wenden Sie sich bitte an Ihre Makita-Kundendienststelle.

- Hartmetallbestückte Stahlsägeblätter (Besuchen Sie unsere Website, oder wenden Sie sich an Ihren Makita-Händler vor Ort, um zu erfahren, welche Sägeblätter für das zu schneidende Material korrekt sind.)

HINWEIS: Manche Teile in der Liste können als Standardzubehör im Werkzeugsatz enthalten sein. Sie können von Land zu Land unterschiedlich sein.

DATI TECNICI

Modello:		M2300
Diametro lama		255 mm
Diametro foro	Per tutte le nazioni diverse da quelle europee	25,4 mm o 30 mm (a seconda della nazione)
	Per le nazioni europee	30 mm
Spessore max. di taglio della lama		3,2 mm
Velocità senza carico		4.200 min ⁻¹
Dimensioni (L x P x A)		610 mm x 485 mm x 515 mm
Peso netto		13,8 kg
Classe di sicurezza		▣/II






- In conseguenza del nostro programma di ricerca e sviluppo continui, i dati tecnici nel presente manuale sono soggetti a modifiche senza preavviso.
- I dati tecnici possono variare da nazione a nazione.
- Peso in base alla procedura EPTA 01/2014

Capacità di taglio (A x P) con lama da 255 mm di diametro

Angolo di taglio a unghia	Angolo di taglio obliquo	
	0°	45° (a sinistra e a destra)
0°	75 mm x 130 mm	75 mm x 90 mm
45° (a sinistra)	48 mm x 120 mm	48 mm x 90 mm

Simboli

Le figure seguenti mostrano i simboli utilizzati per l'apparecchio. Accertarsi di comprenderne il significato prima dell'uso.

	Leggere il manuale d'uso.
	DOPPIO ISOLAMENTO
	Per evitare lesioni personali causate da frammenti volanti, dopo aver effettuato dei tagli, mantenere la testa della sega rivolta verso il basso fino all'arresto completo della lama.
	Non posizionare la mano o le dita in prossimità della lama.
	Sistemare sempre la GUIDA PEZZO SECONDARIA sulla posizione a sinistra quando si intende eseguire tagli a unghia a sinistra. La mancata osservanza di questa operazione potrebbe causare gravi lesioni personali all'operatore.



Solo per le nazioni dell'EU
A causa della presenza di componenti pericolosi nelle apparecchiature, le apparecchiature elettriche ed elettroniche usate potrebbero produrre un impatto negativo sull'ambiente e sulla salute umana. Non smaltire elettrodomestici elettrici ed elettronici insieme ai rifiuti domestici! In conformità alla direttiva europea sui rifiuti di apparecchiature elettriche ed elettroniche (RAEE), e al suo adattamento alle normative nazionali, le apparecchiature elettriche ed elettroniche usate vanno sottoposte a raccolta differenziata e conferite a un punto di raccolta separato per i rifiuti comunali, operando in conformità alle normative per la protezione dell'ambiente. Tale requisito viene indicato mediante il simbolo del bidone della spazzatura con ruote barrato apposto sull'apparecchio.

Utilizzo previsto

Questo utensile va utilizzato per eseguire tagli di precisione diritti e inclinati del legno. Con le lame appropriate, è possibile segare anche l'alluminio.

Alimentazione

L'utensile deve essere collegato a una fonte di alimentazione con la stessa tensione indicata sulla targhetta del nome, e può funzionare solo a corrente alternata monofase. L'utensile è dotato di doppio isolamento, per cui può essere utilizzato con prese elettriche sprovviste di messa a terra.

Rumore

Livello tipico di rumore pesato A determinato in base allo standard EN62841-3-9:

Livello di pressione sonora (L_{pA}): 89 dB (A)

Livello di potenza sonora (L_{WA}): 102 dB (A)

Incertezza (K): 3 dB (A)

NOTA: Il valore o i valori dichiarati delle emissioni di rumori sono stati misurati in conformità a un metodo standard di verifica, e possono essere utilizzati per confrontare un utensile con un altro.

NOTA: Il valore o i valori dichiarati delle emissioni di rumori possono venire utilizzati anche per una valutazione preliminare dell'esposizione.

⚠AVVERTIMENTO: Indossare protezioni per le orecchie.

⚠AVVERTIMENTO: L'emissione di rumori durante l'utilizzo effettivo dell'utensile elettrico può variare rispetto al valore o ai valori dichiarati, a seconda dei modi in cui viene utilizzato l'utensile e specialmente a seconda di che tipo di pezzo venga lavorato.

⚠AVVERTIMENTO: Accertarsi di identificare misure di sicurezza per la protezione dell'operatore che siano basate su una stima dell'esposizione nelle condizioni effettive di utilizzo (tenendo conto di tutte le parti del ciclo operativo, ad esempio del numero di spegnimenti dell'utensile e di quando giri a vuoto, oltre al tempo di attivazione).

Dichiarazione di conformità CE

Solo per i paesi europei

La dichiarazione di conformità CE è inclusa nell'Allegato A al presente manuale di istruzioni.

AVVERTENZE DI SICUREZZA

Avvertenze generali relative alla sicurezza dell'utensile elettrico

⚠AVVERTIMENTO: Leggere tutte le avvertenze di sicurezza, le istruzioni, le illustrazioni e i dati tecnici forniti con il presente utensile elettrico. La mancata osservanza di tutte le istruzioni elencate di seguito potrebbe risultare in scosse elettriche, incendi e/o gravi lesioni personali.

Conservare tutte le avvertenze e le istruzioni come riferimento futuro.

Il termine "utensile elettrico" nelle avvertenze si riferisce sia all'utensile elettrico (cablato) nel funzionamento alimentato da rete elettrica che all'utensile elettrico (a batteria) nel funzionamento alimentato a batteria.

Istruzioni di sicurezza relative alle troncatrici

- Le troncatrici sono destinate a tagliare legno o prodotti simili al legno, non possono essere utilizzate con mole abrasive per il taglio di materiali ferrosi quali barre, aste, montanti, e così via.** La polvere abrasiva causa l'inceppamento delle parti mobili, ad esempio della protezione inferiore. Le scintille dovute al taglio abrasivo bruciano la protezione inferiore, la placchetta di taglio e altre parti in plastica.
 - Utilizzare sempre delle morse per sostenere il pezzo in lavorazione, se possibile.** Qualora si mantenga il pezzo in lavorazione con le mani, è necessario sempre tenere la mano ad almeno 100 mm da entrambi i lati della lama. Non utilizzare questa sega per tagliare pezzi che siano troppo piccoli per poter essere fissati saldamente con delle morse o mantenuti in mano. Qualora si posizioni la mano troppo vicina alla lama, sussiste un maggior rischio di lesioni personali dovute al contatto con la lama.
 - Il pezzo in lavorazione deve essere immobile e fissato con delle morse o tenuto fermo appoggiandolo sia contro la guida che contro il tavolo.** Non passare il pezzo in lavorazione nella lama né tagliarlo "a mani libere" in alcun modo. Pezzi in lavorazione non bloccati o in movimento potrebbero venire scagliati ad alte velocità, causando lesioni personali.
 - Non attraversare mai con la mano la linea di taglio stabilita, né davanti né dietro la lama.** È molto pericoloso sostenere il pezzo in lavorazione "con la mano incrociata", vale a dire mantenendo il pezzo in lavorazione a destra della lama con la mano sinistra o viceversa.
- Fig.1
- Non allungare le mani dietro la guida a una distanza inferiore a 100 mm da entrambi i lati della lama, per rimuovere sfridi di legno o per qualsiasi altro motivo, mentre la lama sta ruotando.** La prossimità della lama in rotazione alla mano potrebbe non risultare evidente, e si potrebbero subire gravi lesioni personali.
 - Ispezionare il pezzo in lavorazione prima di effettuare il taglio.** Qualora il pezzo in lavorazione sia curvato o distorto, fissarlo con una morsa con il lato esterno curvato rivolto verso la guida. Accertarsi sempre che non vi siano spazi tra il pezzo in lavorazione, la guida e il tavolo lungo la linea di taglio. Pezzi in lavorazione piegati o distorti possono torcersi o spostarsi, e potrebbero causare l'inceppamento della lama in rotazione durante il taglio. Nel pezzo in lavorazione non devono essere presenti chiodi o corpi estranei.
 - Non utilizzare la sega fino a quando il tavolo è libero da tutti gli utensili, gli sfridi di legno, e così via, tranne il pezzo in lavorazione.** Piccoli detriti o pezzi allentati di legno o altri oggetti che entrano in contatto con la lama in rotazione possono venire scagliati ad alta velocità.
 - Tagliare un solo pezzo in lavorazione alla volta.** Non è possibile fissare con una morsa o supportare in modo adeguato più pezzi in lavorazione impiati, e questi ultimi potrebbero incepparsi nella lama o spostarsi durante il taglio.

9. **Accertarsi che la troncatrice venga montata o posizionata su una superficie di lavoro piana e stabile prima dell'uso.** Una superficie di lavoro piana e stabile riduce il rischio che la troncatrice diventi instabile.
 10. **Pianificare il lavoro. Ogni volta che si cambia l'impostazione dell'angolo di taglio a unghia od obliquo, accertarsi che la guida regolabile sia impostata correttamente per sostenere il pezzo in lavorazione e che non interferisca con la lama o il sistema di protezione.** Senza accendere l'utensile e senza alcun pezzo in lavorazione sul tavolo, spostare la lama attraverso un taglio simulato completo per accertarsi che non vi siano interferenze o pericolo di tagliare la guida.
 11. **Fornire un supporto adeguato, ad esempio prolungamenti del tavolo, cavalletti per segare la legna, e così via, per un pezzo in lavorazione che sia più largo o più lungo della superficie del tavolo.** I pezzi in lavorazione più lunghi o più larghi del tavolo della troncatrice possono rovesciarsi, se non vengono supportati saldamente. Qualora il pezzo tagliato o il pezzo in lavorazione si rovesci, può sollevare la protezione inferiore o venire scagliato dalla lama in rotazione.
 12. **Non utilizzare un'altra persona come sostituto per un prolungamento del tavolo o come supporto aggiuntivo.** Il supporto instabile per il pezzo in lavorazione può causare l'inceppamento della lama o lo spostamento del pezzo in lavorazione durante l'operazione di taglio, tirando sia l'operatore che l'aiutante verso la lama in rotazione.
 13. **Il pezzo tagliato non deve venire spinto con forza né premuto in alcun modo contro la lama in rotazione.** Il pezzo tagliato, qualora sia confinato, ad esempio mediante l'uso di battute longitudinali, potrebbe incunearsi contro la lama e venire scagliato con violenza.
 14. **Utilizzare sempre una morsa o un dispositivo di fissaggio progettato per sostenere correttamente materiali tondi, quali aste o tubazioni.** Le aste tendono a rotolare mentre vengono tagliate, facendo sì che la lama "morda" e tiri il pezzo in lavorazione insieme alla mano verso la lama.
 15. **Lasciar raggiungere la massima velocità alla lama, prima di mettere quest'ultima in contatto con il pezzo in lavorazione.** In tal modo si riduce il rischio che il pezzo in lavorazione venga scagliato.
 16. **Qualora il pezzo in lavorazione o la lama si inceppino, spegnere la troncatrice. Attendere che tutte le parti mobili si arrestino, scollegare la spina dalla fonte di alimentazione, e/o rimuovere la cartuccia della batteria. Quindi, intervenire per liberare il materiale inceppato.** Qualora si continui a segare con un pezzo in lavorazione inceppato, si potrebbe causare la perdita di controllo o il danneggiamento della troncatrice.
 17. **Dopo aver terminato il taglio, rilasciare l'interruttore, mantenere la testa della sega abbassata e attendere che la lama si arresti, prima di rimuovere il pezzo tagliato.** È pericoloso allungare una mano dietro la lama che si sta arrestando.
 18. **Mantenere il manico saldamente quando si intende effettuare un taglio incompleto o quando si intende rilasciare l'interruttore prima che la testa della sega sia completamente in posizione abbassata.** L'operazione di frenatura della sega potrebbe far sì che la testa della sega venga tirata improvvisamente verso il basso, causando un rischio di lesione personale.
 19. **Utilizzare esclusivamente una lama che abbia il diametro indicato sull'utensile o specificato nel manuale.** L'uso di una lama di dimensioni errate potrebbe influire sulla corretta protezione della lama o sul funzionamento della protezione, il che potrebbe risultare in gravi lesioni personali.
 20. **Utilizzare solo lame che siano contrassegnate con una velocità pari o superiore a quella contrassegnata sull'utensile.**
 21. **Non utilizzare la sega per tagliare materiali diversi da legno, alluminio o simili.**
 22. **(Solo per le nazioni europee)
Utilizzare sempre una lama conforme allo standard EN847-1.**
- Istruzioni aggiuntive**
1. **Rendere le officine a prova di bambino utilizzando lucchetti.**
 2. **Non salire mai sull'utensile.** Qualora l'utensile si rovesci o si entri accidentalmente in contatto con l'utensile da taglio, si potrebbero verificare gravi lesioni personali.
 3. **Non lasciare mai l'utensile in funzione incustodito. Spegnerlo. Non abbandonare l'utensile fino al suo arresto completo.**
 4. **Non utilizzare la sega senza le protezioni in posizione. Controllare che la protezione lama si chiuda correttamente prima di ciascun utilizzo. Non utilizzare la sega qualora la protezione lama non si muova liberamente e non si chiuda istantaneamente. Non bloccare o legare mai la protezione lama in posizione di apertura.**
 5. **Tenere le mani fuori dal percorso della lama. Evitare il contatto con la lama durante il moto inerziale. La lama può ancora causare gravi lesioni personali.**
 6. **Fissare sempre tutte le parti mobili prima di trasportare l'utensile.**
 7. **Il perno di fermo che blocca verso il basso la testa troncatrice va utilizzato solo per trasportare o riporre l'utensile, non per operazioni di taglio di alcun genere.**
 8. **Controllare con cura che la lama non presenti crepe o danneggiamenti prima dell'utilizzo. Sostituire immediatamente le lame spaccate o danneggiate. Gomma e pece nera indurite sulle lame rallentano la sega e fanno aumentare il rischio di contraccolpi. Mantenere la lama pulita rimuovendola innanzitutto dall'utensile, e quindi pulendola con sostanze di rimozione della gomma e della pece, acqua calda o cherosene. Non utilizzare mai benzina per pulire la lama.**

9. Utilizzare esclusivamente le flange specificate per il presente utensile.
10. Fare attenzione a non danneggiare l'albero, le flange (soprattutto la superficie di installazione) o il bullone. Eventuali danni a queste parti potrebbero risultare nella rottura della lama.
11. Accertarsi che la base girevole sia fissata saldamente, affinché non si muova durante l'uso dell'utensile. Utilizzare i fori presenti nella base per fissare la sega a una piattaforma di lavoro o un banco stabili. Non utilizzare MAI l'utensile qualora il posizionamento dell'operatore risulti scomodo.
12. Prima di accendere l'utensile, accertarsi di aver rilasciato il blocco albero.
13. Accertarsi che la lama non sia a contatto con la base girevole nella posizione più bassa.
14. Tenere saldamente l'utensile per il manico. Tenere presente che la sega si muove leggermente verso l'alto o verso il basso durante l'avvio e l'arresto.
15. Accertarsi che la lama non sia a contatto con il pezzo prima di accendere l'utensile.
16. Prima di utilizzare l'utensile su un pezzo, lasciarlo funzionare per qualche momento. Accertarsi che non siano presenti vibrazioni oppure oscillazioni che potrebbero indicare un'installazione inadeguata o un bilanciamento imperfetto della lama.
17. Interrompere immediatamente l'uso qualora si noti qualcosa di anomalo.
18. Non tentare di bloccare l'interruttore a grilletto nella posizione di accensione.
19. Utilizzare sempre gli accessori consigliati nel presente manuale. L'uso di accessori inadeguati, ad esempio ruote abrasive, potrebbe causare lesioni personali.
20. Alcuni materiali contengono sostanze chimiche che potrebbero essere tossiche. Adottare delle precauzioni per evitare l'inalazione delle polveri e il contatto con la pelle. Attenersi ai dati sulla sicurezza del fornitore del materiale.

Regole di sicurezza aggiuntive per il laser

1. **RADIAZIONE LASER, NON FISSARE LO SGUARDO SUL RAGGIO NÉ GUARDARLO DIRETTAMENTE CON STRUMENTI OTTICI; PRODOTTO LASER DI CLASSE 2M.**

CONSERVARE LE PRESENTI ISTRUZIONI.

⚠AVVERTIMENTO: NON lasciare che comodità o la familiarità d'utilizzo con il prodotto (acquisita con l'uso ripetuto) sostituisca la stretta osservanza delle norme di sicurezza per il prodotto in questione. L'USO IMPROPRIO o la mancata osservanza delle norme di sicurezza indicate nel presente manuale di istruzioni potrebbero causare gravi lesioni personali.

INSTALLAZIONE

Quando l'utensile viene consegnato, la maniglia è bloccata nella posizione abbassata dal perno di fermo. Allentare il bullone con una chiave in dotazione con l'utensile e spostare la testa della sega sull'angolazione corretta. Rimuovere il bullone e fissare la testa della sega con la manopola.

► Fig.2: 1. Chiave

► Fig.3: 1. Manopola

Installazione della piastra ausiliaria

Installare la piastra ausiliaria utilizzando il foro presente nella base dell'utensile e fissarla serrando la vite.

► Fig.4: 1. Piastra ausiliaria 2. Vite 3. Base

Montaggio su banco

Quando l'utensile viene consegnato, la maniglia è bloccata nella posizione abbassata dal perno di fermo. Sbloccare il perno di fermo abbassando leggermente la maniglia e tirando il perno di fermo.

► Fig.5: 1. Perno di fermo

Questo utensile va imbullonato con quattro bulloni su una superficie piana e stabile utilizzando i fori per i bulloni forniti nella base dell'utensile. Ciò contribuisce a evitare il rovesciamento dell'utensile e le eventuali lesioni personali conseguenti.

► Fig.6: 1. Bullone

DESCRIZIONE DELLE FUNZIONI

⚠ATTENZIONE: Accertarsi sempre che l'utensile sia spento e scollegato dall'alimentazione prima di regolare o controllare le sue funzioni.

Protezione lama

► Fig.7: 1. Protezione lama

Quando si abbassa la maniglia, la protezione lama si solleva automaticamente. La protezione è caricata da una molla, per cui torna sulla sua posizione originale quando il taglio viene completato e si solleva la maniglia. **NON RENDERE MAI INOPERANTE NÉ RIMUOVERE LA PROTEZIONE LAMA O LA MOLLA AGGANCIATA ALLA PROTEZIONE.**

Nell'interesse della propria sicurezza personale, mantenere sempre la protezione lama in buone condizioni. Qualsiasi funzionamento irregolare della protezione lama va corretto immediatamente. Accertarsi che la protezione torni in posizione mediante l'azione della carica a molla. **NON UTILIZZARE MAI L'UTENSILE SE LA PROTEZIONE LAMA O LA MOLLA SONO DANNEGGIATE, DIFETTOSE O RIMOSSE. LA MANCATA OSSERVANZA DI QUESTA PRECAUZIONE È ESTREMAMENTE PERICOLOSA E PUÒ CAUSARE GRAVI LESIONI PERSONALI.**

Qualora la protezione trasparente della lama si sporchi, oppure qualora la segatura si depositi sulla protezione in modo tale da non rendere più visibili la lama e/o il pezzo in lavorazione, scollegare la sega dall'alimentazione elettrica e pulire con cura la protezione con un panno umido. Non utilizzare sulla protezione in plastica solventi o prodotti di pulizia a base di petrolio.

Qualora la protezione lama sia particolarmente sporca e la visione attraverso la protezione risulti ostacolata, utilizzare la chiave in dotazione per allentare il bullone esagonale che mantiene il coperchio centrale. Allentare il bullone esagonale ruotandolo in senso antiorario e sollevare la protezione lama e il coperchio centrale.

Con la protezione lama in tale posizione, è possibile effettuare la pulizia in modo più completo ed efficiente. Al termine della pulizia, eseguire al contrario la procedura indicata sopra e fissare il bullone. Non rimuovere la molla che fissa la protezione lama. Qualora la protezione si scolorisca a causa dell'invecchiamento o dell'esposizione alla luce ultravioletta, contattare un centro di assistenza Makita per ottenere una nuova protezione. **NON RENDERE INOPERANTE NÉ RIMUOVERE LA PROTEZIONE.**

► **Fig.8:** 1. Protezione lama

Piano di taglio

Questo utensile è dotato di un piano di taglio nella base girevole, per ridurre al minimo la frammentazione sul lato di uscita del taglio. Qualora la scanalatura di taglio non sia ancora stata tagliata nel piano di taglio in fabbrica, occorre tagliare la scanalatura prima di utilizzare effettivamente l'utensile per tagliare un pezzo in lavorazione. Accendere l'utensile e abbassare delicatamente la lama per tagliare una scanalatura nel piano di taglio.

► **Fig.9:** 1. Piano di taglio

Mantenimento della capacità massima di taglio

Il presente utensile è stato regolato in fabbrica in modo da fornire la capacità massima di taglio con le lame da 255 mm.

Quando si intende installare una nuova lama, controllare sempre la posizione del limite inferiore della lama e, se necessario, regolarla nel modo seguente:

Innanzitutto, scollegare l'utensile dall'alimentazione elettrica. Abbassare completamente la maniglia. Utilizzare la chiave per ruotare il bullone di regolazione fino a quando il bordo della lama sporge leggermente sotto la superficie superiore della base girevole, nel punto in cui la faccia anteriore della guida pezzo tocca la superficie superiore della base girevole.

► **Fig.10:** 1. Bullone di regolazione

Con l'utensile scollegato dall'alimentazione elettrica, ruotare la lama a mano tenendo la maniglia completamente abbassata per accertarsi che la lama non sia in contatto con alcuna parte della base inferiore. Se necessario, effettuare di nuovo una leggera regolazione.

► **Fig.11:** 1. Superficie superiore della base girevole
2. Bordo della lama 3. Guida pezzo

⚠ATTENZIONE: Dopo aver installato una nuova lama, verificare sempre che la lama non entri in contatto con alcuna parte della base inferiore quando la maniglia viene abbassata completamente. Effettuare sempre questa operazione con l'utensile scollegato dall'alimentazione elettrica.

Regolazione dell'angolo di taglio obliquo

► **Fig.12:** 1. Leva di blocco 2. Impugnatura

Allentare l'impugnatura ruotandola in senso antiorario. Ruotare la base girevole mentre si tiene premuta la leva di blocco. Quando si è spostata l'impugnatura sulla posizione in cui l'indice punta verso l'angolo desiderato sulla scala di taglio obliquo, fissare saldamente l'impugnatura ruotandola in senso orario.

⚠ATTENZIONE: Quando si intende ruotare la base girevole, accertarsi di sollevare completamente il manico.

⚠ATTENZIONE: Dopo aver modificato l'angolo di taglio obliquo, fissare sempre la base girevole serrando saldamente l'impugnatura.

Regolazione dell'angolo di taglio a unghia

► **Fig.13:** 1. Manopola

Per regolare l'angolo di taglio a unghia, allentare in senso antiorario la manopola sulla parte posteriore dell'utensile.

► **Fig.14:** 1. Indice

Spingere la maniglia verso sinistra per inclinare la lama fino a quando l'indice punta verso l'angolo desiderato sulla scala di taglio a unghia. Quindi, serrare saldamente la manopola in senso orario per fissare il braccio.

⚠ATTENZIONE: Quando si intende inclinare la lama, accertarsi di sollevare completamente la maniglia.

⚠ATTENZIONE: Dopo aver cambiato l'angolo di taglio a unghia, fissare sempre il braccio serrando la leva in senso orario.

Utilizzo dell'interruttore

⚠AVVERTIMENTO: Prima di collegare l'utensile all'alimentazione elettrica, accertarsi sempre che l'interruttore a grilletto funzioni correttamente e che torni sulla posizione "OFF" quando viene rilasciato. L'uso dell'utensile con un interruttore che non funzioni correttamente potrebbe causare la perdita del controllo e gravi lesioni personali.

⚠AVVERTIMENTO: Non utilizzare MAI l'utensile quando l'interruttore a grilletto non è perfettamente funzionante. Qualsiasi utensile con un interruttore non funzionante è ESTREMAMENTE PERICOLOSO e deve essere riparato prima di un ulteriore utilizzo; in caso contrario, si potrebbero verificare gravi lesioni personali.

- **Fig.15:** 1. Interruttore a grilletto 2. Pulsante di sblocco

L'utensile è dotato di un pulsante di sblocco, per evitare che l'interruttore a grilletto venga premuto accidentalmente. Per avviare l'utensile, far rientrare il pulsante di sblocco premendolo e premere l'interruttore a grilletto. Per arrestare l'utensile, rilasciare l'interruttore a grilletto.

MONTAGGIO

⚠ATTENZIONE: Accertarsi sempre che l'utensile sia spento e scollegato dall'alimentazione elettrica, prima di effettuare qualsiasi intervento su di esso.

Installazione o rimozione della lama

⚠ATTENZIONE: Accertarsi sempre che l'utensile sia spento e scollegato dall'alimentazione elettrica, prima di installare o di rimuovere la lama.

⚠ATTENZIONE: Per installare o rimuovere la lama, utilizzare solo la chiave Makita in dotazione. In caso contrario, si potrebbe causare il serraggio eccessivo o insufficiente del bullone esagonale. Ciò potrebbe causare lesioni personali.

Quando si intende rimuovere o installare la lama, tenere la maniglia nella posizione sollevata.

Per rimuovere la lama, utilizzare la chiave per allentare il bullone esagonale che fissa il coperchio centrale, ruotando il bullone in senso antiorario. Sollevare la protezione lama e il coperchio centrale.

- **Fig.16:** 1. Chiave 2. Coperchio centrale

- **Fig.17:** 1. Bullone esagonale

Premere il blocco albero per bloccare il mandrino e utilizzare la chiave per allentare il bullone esagonale in senso orario. Quindi, rimuovere il bullone esagonale, la flangia esterna e la lama.

- **Fig.18:** 1. Bullone esagonale 2. Chiave

Per installare la lama, montarla con attenzione sul mandrino, accertandosi che la direzione della freccia sulla superficie della lama coincida con la direzione della freccia sulla cassa lama.

- **Fig.19:** 1. Cassa lama 2. Freccia 3. Freccia 4. Lama

Installare la flangia esterna e il bullone esagonale, quindi utilizzare la chiave per serrare saldamente il bullone esagonale (sinistrorso) in senso antiorario, tenendo premuto contemporaneamente il blocco albero.

- **Fig.20:** 1. Mandrino 2. Flangia 3. Lama 4. Flangia 5. Bullone esagonale 6. Anello

⚠ATTENZIONE: L'anello con diametro esterno di 25,4 mm o 30 mm viene installato in fabbrica sul mandrino. Prima di montare la lama sul mandrino, accertarsi sempre che sul mandrino sia installato l'anello adatto al foro per l'albero della lama che si intende utilizzare.

Riportare la protezione lama e il coperchio centrale sulla loro posizione originale. Quindi, serrare il bullone esagonale in senso orario per fissare il coperchio centrale. Abbassare la maniglia per accertarsi che la protezione lama si muova correttamente. Accertarsi che il blocco albero abbia rilasciato il mandrino, prima di eseguire il taglio.

Guida pezzo secondaria

Specifica in base alla nazione

⚠AVVERTIMENTO: Per eseguire tagli a unghia a sinistra, rovesciare la guida pezzo secondaria verso l'esterno. In caso contrario, la guida pezzo secondaria potrebbe entrare in contatto con la lama o una parte dell'utensile, e ciò potrebbe risultare in gravi lesioni personali dell'operatore.

- **Fig.21:** 1. Guida pezzo secondaria

Il presente utensile è dotato di una guida pezzo secondaria. Generalmente, posizionare all'interno la guida pezzo secondaria. Rovesciarla all'esterno, invece, per eseguire tagli a unghia a sinistra.

Collegamento di un aspiratore

Quando si desidera eseguire operazioni di taglio pulite, collegare un aspirapolvere Makita.

- **Fig.22**

Sacchetto segatura

- **Fig.23:** 1. Sacchetto polveri

- **Fig.24:** 1. Chiusura

L'utilizzo del sacchetto polveri rende più pulite le operazioni di taglio e più facile la raccolta delle polveri. Per montare il sacchetto polveri, inserirlo sulla bocchetta delle polveri. Quando il sacchetto polveri è quasi pieno a metà, rimuoverlo dall'utensile ed estrarre la chiusura. Svuotare il sacchetto polveri del contenuto dandogli dei leggeri colpetti, in modo da rimuovere le particelle attaccate all'interno che potrebbero ostacolare l'ulteriore raccolta delle polveri.

Fissaggio del pezzo

⚠AVVERTIMENTO: È estremamente importante fissare sempre correttamente e saldamente il pezzo in lavorazione con la morsa. La mancata osservanza di questa precauzione può causare il danneggiamento dell'utensile e/o la distruzione del pezzo in lavorazione. **POTREBBERO ANCHE RISULTARE GRAVI LESIONI PERSONALI. Inoltre, dopo un'operazione di taglio, NON sollevare la lama fino al suo arresto completo.**

⚠ATTENZIONE: Quando si intende tagliare pezzi in lavorazione lunghi, utilizzare dei supporti che abbiano la stessa altezza del livello della superficie superiore della base girevole. Per fissare il pezzo in lavorazione, non fare affidamento solo sulla morsa verticale e/o orizzontale. I materiali sottili tendono a incurvarsi. Sostenere il pezzo in lavorazione per la sua intera lunghezza, al fine di evitare inceppamenti della lama e potenziali CONTRACCOLPI.

- **Fig.25:** 1. Sostegno 2. Base girevole

Morsa verticale

- **Fig.26:** 1. Manopola morsa 2. Vite 3. Braccio morsa 4. Asta morsa

La morsa verticale può venire installata in due posizioni, sul lato sinistro o sul lato destro della guida pezzo.

Inserire l'asta morsa nel foro della guida pezzo e serrare la vite per fissare l'asta morsa.

Posizionare il braccio morsa in base allo spessore e alla forma del pezzo, e fissare il braccio morsa serrando la vite. Accertarsi che nessuna parte dell'utensile sia in contatto con la morsa quando si abbassa completamente la maniglia. Qualora una qualsiasi parte sia in contatto con la morsa, riposizionare quest'ultima.

Premere il pezzo appoggiato di piatto contro la guida pezzo e la base girevole. Posizionare il pezzo sulla posizione di taglio desiderata e fissarlo saldamente serrando la manopola morsa.

⚠ATTENZIONE: Il pezzo in lavorazione deve essere fissato saldamente contro la base girevole e la guida pezzo con la morsa durante tutte le operazioni.

FUNZIONAMENTO

⚠ATTENZIONE: Prima dell'uso, accertarsi di rilasciare il manico dalla posizione abbassata tirando il perno di fermo.

⚠ATTENZIONE: Prima di attivare l'interruttore, accertarsi che la lama non sia in contatto con il pezzo, e così via.

⚠ATTENZIONE: Non esercitare una pressione eccessiva sul manico durante il taglio. Una forza eccessiva può risultare nel sovraccarico del motore e/o in una diminuzione dell'efficienza di taglio. Premere verso il basso il manico solo con la forza necessaria a un taglio uniforme e senza una notevole riduzione della velocità della lama.

⚠ATTENZIONE: Premere delicatamente verso il basso il manico per eseguire il taglio. Qualora si preme con forza verso il basso il manico o si applichi una pressione laterale, la lama potrebbe vibrare lasciando un segno sul pezzo (segno della lama), e la precisione del taglio potrebbe venire compromessa.

⚠ATTENZIONE: Non rilasciare la testa della sega incontrollata dalla posizione completamente abbassata. Una testa della sega incontrollata potrebbe colpire l'utilizzatore causando lesioni personali.

Taglio con pressione

- **Fig.27:** 1. Morsa verticale

Fissare il pezzo in lavorazione con la morsa. Accendere l'utensile senza mettere in contatto la lama con il pezzo in lavorazione, quindi attendere che la lama raggiunga la piena velocità, prima di abbassarla. Quindi, abbassare delicatamente la maniglia sulla posizione completamente abbassata per tagliare il pezzo in lavorazione. Al completamento del taglio, spegnere l'utensile e ATTENDERE CHE LA LAMA SI SIA ARRESTATO COMPLETAMENTE, prima di riportarla alla posizione di elevazione massima.

Taglio obliquo

Fare riferimento alla sezione relativa alla regolazione dell'angolo di taglio obliquo.

Taglio a unghia

- **Fig.28**

Allentare la manopola e inclinare la lama per impostare l'angolo di taglio a unghia (fare riferimento alla sezione "Regolazione dell'angolo di taglio a unghia" riportata in precedenza). Accertarsi di serrare di nuovo saldamente la manopola per fissare in modo sicuro l'angolo di taglio a unghia selezionato. Fissare il pezzo in lavorazione con una morsa. Accendere l'utensile senza mettere in contatto la lama con il pezzo in lavorazione, e attendere che la lama raggiunga la piena velocità. Quindi, abbassare delicatamente la maniglia sulla posizione completamente abbassata esercitando pressione al tempo stesso in parallelo con la lama. Al completamento del taglio, spegnere l'utensile e ATTENDERE CHE LA LAMA SI SIA ARRESTATO COMPLETAMENTE, prima di riportarla alla posizione di elevazione massima.

⚠ATTENZIONE: Accertarsi sempre che la lama si abbassi verso la direzione del taglio a unghia durante l'esecuzione di un taglio a unghia. Tenere le mani lontane dal percorso della lama.

⚠ATTENZIONE: Durante un taglio a unghia, si potrebbe creare una condizione a causa della quale il pezzo di materiale tagliato viene a trovarsi appoggiato contro il lato della lama. Qualora la lama venga sollevata mentre è ancora in rotazione, tale pezzo potrebbe restare impigliato nella lama, causando frammenti che verrebbero scagliati pericolosamente in tutte le direzioni. La lama va sollevata SOLO dopo il suo arresto completo.

⚠ATTENZIONE: Quando si preme la maniglia verso il basso, esercitare la pressione in parallelo alla lama. Qualora la pressione non sia parallela alla lama durante un taglio, l'angolazione della lama potrebbe spostarsi e la precisione del taglio verrebbe compromessa.

⚠ATTENZIONE: (Solo per gli utensili dotati di guida pezzo secondaria) **Sistemare sempre la guida pezzo secondaria all'esterno per eseguire tagli a unghia a sinistra.**

Taglio composito

Il taglio composito è una procedura in cui sul pezzo viene realizzato un taglio a unghia contemporaneamente a un taglio obliquo. Il taglio composito può venire eseguito all'angolazione indicata nella tabella.

Angolo di taglio a unghia	Angolo di taglio obliquo
45°	Da 0° a 45° a sinistra e a destra

Per l'esecuzione del taglio composito, fare riferimento alle spiegazioni "Taglio con pressione", "Taglio obliquo" e "Taglio a unghia".

Tagli di modanature a corona e concave

È possibile eseguire tagli con modanatura a corona e concava su una sega composta a slitta, con le modanature disposte orizzontalmente sulla base girevole. Esistono due tipi comuni di modanature a corona e un tipo di modanatura concava: modanatura a corona con angolo della parete a 52/38°, modanatura a corona con angolo della parete a 45° e modanatura concava con angolo della parete a 45°.

- **Fig.29:** 1. Modanatura a corona a 52/38°
2. Modanatura a corona a 45°
3. Modanatura concava a 45°

Esistono commesure di modanature a corona e concave che sono fatte per adattarsi ad angoli a 90° "interni" ((a) e (b) nella figura) e ad angoli a 90° "esterni" ((c) e (d) nella figura).

- **Fig.30:** 1. Angolo interno 2. Angolo esterno

- **Fig.31:** 1. Angolo interno 2. Angolo esterno

Misurazioni

Misurare la larghezza della parete e regolare in base ad essa la larghezza del pezzo. Accertarsi sempre che la larghezza del bordo di contatto del pezzo con la parete sia identica alla lunghezza della parete.

- **Fig.32:** 1. Pezzo 2. Larghezza della parete
3. Larghezza del pezzo 4. Bordo di contatto con la parete

Utilizzare sempre svariati pezzi per tagli di prova, in modo da controllare gli angoli della sega. Quando si eseguono tagli per modanature a corona e concave, impostare l'angolo di taglio a unghia e l'angolo di taglio obliquo come indicato nella tabella (A), quindi posizionare le modanature sulla superficie superiore della base della sega, come indicato nella tabella (B).

Nel caso di taglio a unghia a sinistra

- **Fig.33:** 1. Angolo interno 2. Angolo esterno

Tabella (A)

-	Posizione della modanatura nella figura	Angolo di taglio a unghia		Angolo di taglio obliquo	
		Tipo a 52/38°	Tipo a 45°	Tipo a 52/38°	Tipo a 45°
Per l'angolo interno	(a)	33,9° a sinistra	30° a sinistra	31,6° a destra	35,3° a destra
	(b)			31,6° a sinistra	35,3° a sinistra
Per l'angolo esterno	(c)				
	(d)			31,6° a destra	35,3° a destra

Tabella (B)

-	Posizione della modanatura nella figura	Bordo della modanatura appoggiato contro la guida pezzo	Pezzo finito
Per l'angolo interno	(a)	Il bordo di contatto con il soffitto deve essere appoggiato contro la guida pezzo.	Il pezzo finito si troverà sul lato sinistro della lama.
	(b)	Il bordo di contatto con la parete deve essere appoggiato contro la guida pezzo.	
Per l'angolo esterno	(c)	Il bordo di contatto con il soffitto deve essere appoggiato contro la guida pezzo.	Il pezzo finito si troverà sul lato destro della lama.
	(d)	Il bordo di contatto con il soffitto deve essere appoggiato contro la guida pezzo.	

Esempio:

Nel caso del taglio di una modanatura di tipo a corona a 52/38° per la posizione (a) nella figura sopra:

- Inclinare e fissare l'impostazione dell'angolo di taglio a unghia su 33,9° a SINISTRA.
- Regolare e fissare l'impostazione dell'angolo di taglio obliquo su 31,6° a DESTRA.
- Disporre la modanatura a corona con la sua superficie posteriore ampia (nascosta) appoggiata sulla base girevole con il suo BORDO DI CONTATTO CON IL SOFFITTO appoggiato contro la guida pezzo sulla sega.
- Il pezzo finito da utilizzare si troverà sempre sul lato SINISTRO della lama dopo aver effettuato il taglio.

Taglio di estrusioni di alluminio

- **Fig.34:** 1. Morsa 2. Cubetto distanziatore 3. Guida pezzo 4. Estrusione di alluminio 5. Cubetto distanziatore

Quando si intende fissare estrusioni di alluminio, utilizzare dei cubetti distanziatori o degli sfridi come indicato nella figura per evitare la deformazione dell'alluminio. Quando si intende tagliare l'estruzione di alluminio, utilizzare un lubrificante da taglio per evitare l'accumulo di materiale in alluminio sulla lama.

ATTENZIONE: Non tentare mai di tagliare estrusioni di alluminio spesse o arrotondate. Le estrusioni di alluminio spesse potrebbero staccarsi durante l'operazione, e non è possibile fissare saldamente le estrusioni di alluminio arrotondate con il presente utensile.

Spessore di legno

⚠AVVERTIMENTO: Utilizzare delle viti per montare lo spessore di legno sulla guida pezzo. Le viti devono essere installate in modo che le loro teste vengano a trovarsi sotto la superficie dello spessore di legno, affinché non interferiscano con il posizionamento del materiale che viene tagliato. Il disallineamento del materiale che viene tagliato può causare uno spostamento imprevisto durante l'operazione di taglio, che potrebbe risultare in una perdita di controllo e in gravi lesioni personali.

⚠ATTENZIONE: Come spessore di legno, utilizzare un legno diritto di spessore uniforme.

L'impiego di uno spessore di legno contribuisce ad assicurare tagli senza schegge dei pezzi. Montare lo spessore di legno sulla guida pezzo utilizzando i fori della guida pezzo.

Per lo spessore di legno consigliato, fare riferimento alla figura relativa alle dimensioni.

► Fig.35: 1. Fori

AVVISO: Quando è montato lo spessore di legno, non ruotare la base girevole con il manico abbassato. In caso contrario, la lama e/o lo spessore di legno verrebbero danneggiati.

NOTA: La larghezza massima di taglio si riduce della larghezza dello spessore di legno.

Taglio di lunghezze ripetitive

Quando si intende tagliare numerosi pezzi di materiale della stessa lunghezza, dai 240 mm ai 380 mm, utilizzare la piastra di regolazione (accessorio opzionale). Installare la piastra di regolazione sul supporto (accessorio opzionale) come mostrato nella illustrazione.

► Fig.36: 1. Piastra di regolazione 2. Supporto 3. Vite

Allineare la linea di taglio sul pezzo con il lato destro o sinistro della scanalatura sul piano di taglio; quindi, tenendo fermo il pezzo, spostare la piastra di regolazione a raso contro l'estremità del pezzo. Quindi, fissare la piastra di regolazione con la vite.

Quando non si utilizza la piastra di regolazione, allentare la vite e ruotare la piastra di regolazione in modo che non sia di ingombro.

NOTA: L'impiego del gruppo barre supporti (accessorio opzionale) consente di effettuare tagli ripetuti della stessa lunghezza fino a un massimo di 2.200 mm circa.

Trasporto dell'utensile

► Fig.37: 1. Perno di fermo

Accertarsi che l'utensile sia scollegato dall'alimentazione elettrica. Fissare la lama sull'angolo di taglio a unghia di 0° e ruotare completamente la base girevole sulla posizione dell'angolo di taglio obliquo a sinistra. Abbassare completamente la maniglia e bloccarla nella posizione abbassata premendo il perno di fermo verso l'interno.

Trasportare l'utensile mediante l'impugnatura da trasporto, come indicato nella figura. Se si rimuovono i supporti, il sacchetto polveri, e così via, l'utensile può venire trasportato più facilmente.

► Fig.38

⚠ATTENZIONE: Fissare sempre tutte le parti mobili prima di trasportare l'utensile.

⚠ATTENZIONE: Il perno di fermo va utilizzato solo per trasportare o riporre l'utensile, non per operazioni di taglio di alcun genere.

MANUTENZIONE

⚠AVVERTIMENTO: Per ottenere le prestazioni migliori e la massima sicurezza, accertarsi sempre che la lama sia affilata e pulita. Il tentativo di tagliare con una lama non affilata e/o sporca potrebbe causare un contraccolpo e risultare in gravi lesioni personali.

⚠ATTENZIONE: Accertarsi sempre che l'utensile sia spento e scollegato dall'alimentazione elettrica, prima di tentare di eseguire interventi di ispezione o manutenzione.

AVVISO: Non utilizzare mai benzina, benzene, solventi, alcol o altre sostanze simili. In caso contrario, si potrebbero causare scolorimenti, deformazioni o crepe.

Regolazione dell'angolo di taglio

Il presente utensile è stato regolato e allineato con cura in fabbrica, ma l'incuria nell'utilizzo potrebbe influenzare l'allineamento. Qualora lo strumento non sia allineato correttamente, attenersi alla procedura seguente:

Angolo di taglio obliquo

► Fig.39: 1. Bullone esagonale

Allentare l'impugnatura che fissa la base girevole. Ruotare la base girevole in modo che l'indice punti su 0° sulla scala di taglio obliquo. Serrare l'impugnatura e allentare i bulloni esagonali fissando la guida pezzo mediante la chiave. Qualora l'indice non punti su 0° sulla scala di taglio obliquo, allentare la vite che fissa l'indice e spostare e fissare la piastra dell'indice in modo che quest'ultimo punti su 0° sulla scala di taglio obliquo.

Abbassare completamente la maniglia e bloccarla nella posizione abbassata premendo il perno di fermo verso l'interno. Mettere in squadra il fianco della lama con la faccia della guida pezzo utilizzando un righello triangolare, una squadra battente, e così via. Quindi, serrare saldamente i bulloni esagonali sulla guida pezzo in sequenza, a partire dal lato destro.

► Fig.40: 1. Righello triangolare

Angolo di taglio a unghia

Angolo di taglio a unghia di 0°

► **Fig.41:** 1. Bullone di regolazione dell'angolo di taglio a unghia di 0°

Abbassare completamente il manico e bloccarlo nella posizione abbassata premendo il perno di fermo verso l'interno.

Allentare la manopola sulla parte posteriore dell'utensile.

Allentare il dado esagonale e ruotare di due o tre giri in senso orario il bullone di regolazione dell'angolo di taglio a unghia di 0° sul lato destro della base girevole per inclinare la lama verso destra.

Mettere in squadra con cura il fianco della lama con la superficie superiore della base girevole utilizzando il righello triangolare, la squadra battente, e così via, ruotando in senso antiorario il bullone di regolazione dell'angolo di taglio a unghia di 0°. Quindi, serrare il dado esagonale per fissare il bullone di regolazione dell'angolo di taglio a unghia di 0° e serrare saldamente la manopola.

Accertarsi che l'indice sul braccio punti su 0° sulla scala di taglio a unghia. Qualora non punti su 0° sulla scala di taglio a unghia, allentare la vite che fissa l'indice e spostare e fissare la piastra dell'indice in modo che quest'ultimo punti su 0° sulla scala di taglio a unghia.

► **Fig.42:** 1. Righello triangolare 2. Lama 3. Superficie superiore della base girevole

► **Fig.43:** 1. Indice

Angolo di taglio a unghia di 45°

► **Fig.44:** 1. Bullone di regolazione dell'angolo di taglio a unghia di 45° 2. Indice

Regolare l'angolo di taglio a unghia di 45° solo dopo aver eseguito la regolazione dell'angolo di taglio a unghia di 0°.

Per regolare l'angolo di taglio a unghia di 45°, allentare la manopola e inclinare completamente la lama verso sinistra.

Accertarsi che l'indice sul braccio punti su 45° sulla scala di taglio a unghia sul braccio.

Qualora l'indice non punti su 45°, ruotare il bullone di regolazione dell'angolo di taglio a unghia di 45° sul lato sinistro del braccio fino a quando l'indice punta su 45°.

Sostituzione delle spazzole in carbonio

► **Fig.45**

Rimuovere e controllare le spazzole in carbonio a intervalli regolari. Sostituirle quando si usurano fino a ridursi a una lunghezza di 3 mm. Mantenere le spazzole in carbonio pulite e libere di scorrere negli appositi alloggiamenti. Entrambe le spazzole in carbonio vanno sostituite contemporaneamente. Utilizzare esclusivamente spazzole in carbonio identiche.

Utilizzare un cacciavite per rimuovere i cappucci degli alloggiamenti delle spazzole. Estrarre le spazzole in carbonio usurate, inserire quelle nuove e fissare i cappucci degli alloggiamenti delle spazzole.

► **Fig.46:** 1. Cappuccio dell'alloggiamento della spazzola 2. Cacciavite

Dopo l'uso

Dopo l'uso, rimuovere i trucioli e la segatura attaccati all'utensile con un panno o uno straccio. Mantenere pulita la protezione della lama attenendosi alle indicazioni fornite nella sezione precedente "Protezione lama". Per evitare la ruggine, lubrificare le parti scorrevoli con olio per macchine.

Per preservare la SICUREZZA e l'AFFIDABILITÀ del prodotto, le riparazioni e qualsiasi altro intervento di manutenzione e di regolazione devono essere eseguiti da un centro di assistenza autorizzato Makita, utilizzando sempre ricambi Makita.

ACCESSORI OPZIONALI

ATTENZIONE: Questi accessori o componenti aggiuntivi sono consigliati per l'uso con l'utensile Makita specificato nel presente manuale.

L'impiego di altri accessori o componenti aggiuntivi può costituire un rischio di lesioni alle persone. Utilizzare gli accessori o i componenti aggiuntivi solo per il loro scopo prefissato.

Per ottenere ulteriori dettagli relativamente a questi accessori, rivolgersi a un centro di assistenza Makita.

- Lame in acciaio e al carburo (Per informazioni sulle lame corrette da utilizzare per il materiale da tagliare, consultare il nostro sito web o contattare il proprio rivenditore locale Makita.)

NOTA: Alcuni articoli nell'elenco potrebbero essere inclusi nell'imballaggio dell'utensile come accessori standard. Tali articoli potrebbero variare da nazione a nazione.

TECHNISCHE GEGEVENS

Model:		M2300
Diameter zaagblad		255 mm
Diameter middengat	Voor alle niet-Europese landen	25,4 mm of 30 mm (afhankelijk van het land)
	Voor Europese landen	30 mm
Maximale breedte van de zaagsnede van het zaagblad		3,2 mm
Nullasttoerental		4.200 min ⁻¹
Afmetingen (l x b x h)		610 mm x 485 mm x 515 mm
Nettogewicht		13,8 kg
Veiligheidsklasse		□/II

- In verband met ononderbroken research en ontwikkeling behouden wij ons het recht voor bovenstaande technische gegevens te wijzigen zonder voorafgaande kennisgeving.
- De technische gegevens kunnen van land tot land verschillen.
- Gewicht volgens EPTA-procedure 01/2014

Zaagcapaciteit (h x b) met zaagblad 255 mm in diameter

Schuine hoek	Verstekhoek	
	0°	45° (links en rechts)
0°	75 mm x 130 mm	75 mm x 90 mm
45° (links)	48 mm x 120 mm	48 mm x 90 mm

Symbolen

Hieronder staan de symbolen die voor het gereedschap kunnen worden gebruikt. Zorg ervoor dat u de betekenis ervan kent voordat u het gereedschap gaat gebruiken.

	Lees de gebruiksaanwijzing.
	DUBBEL GEÏSOLEERD
	Om letsel door rondvliegende houtsnippers te voorkomen, blijft u na het zagen de zaagkop omlaag gedruwd houden totdat het zaagblad volledig tot stilstand is gekomen.
	Houd handen en vingers uit de buurt van het zaagblad.
	Zet de HULPGELEIDER altijd in de linkerstand wanneer u een linker schuine zaagsnede maakt. Als u dat niet doet, kan dat leiden tot ernstig letsel van de gebruiker.



Alleen voor EU-landen
Als gevolg van de aanwezigheid van schadelijke componenten in het apparaat, kunnen gebruikte elektrische en elektronische apparaten negatieve gevolgen hebben voor het milieu en de gezondheid van mensen.

Gooi elektrische en elektronische apparaten niet met het huisvuil weg!
In overeenstemming met de Europese richtlijn inzake oude elektrische en elektronische apparaten en de toepassing daarvan binnen de nationale wetgeving, dienen gebruikte elektrische en elektronische apparaten gescheiden te worden ingezameld en te worden ingeleverd bij een apart inzamelingspunt voor huishoudelijk afval dat de milieubeschermingsvoorschriften in acht neemt.
Dit wordt op het apparaat aangegeven door het symbool van een doorgekruiste afvalcontainer.

Gebruiksdoeleinden

Dit gereedschap is bedoeld voor nauwkeurig recht zagen en verstekzagen in hout. Als het juiste zaagblad wordt gebruikt, kan dit gereedschap ook aluminium zagen.

Voeding

Het gereedschap mag alleen worden aangesloten op een voeding van dezelfde spanning als aangegeven op het typeplaatje, en kan alleen worden gebruikt op enkelfase-wisselstroom. Het gereedschap is dubbel-geïsoleerd en kan derhalve ook op een niet-geaard stopcontact worden aangesloten.

Geluidsniveau

De typische, A-gewogen geluidsniveaus zijn gemeten volgens EN62841-3-9:

Geluidsdruk niveau ($L_{p(A)}$): 89 dB (A)

Geluidsvermogen niveau ($L_{w(A)}$): 102 dB (A)

Onzekerheid (K): 3 dB (A)

OPMERKING: De opgegeven geluidsemissiewaarde(n) is/zijn gemeten volgens een standaardtestmethode en kan/kunnen worden gebruikt om dit gereedschap te vergelijken met andere gereedschappen.

OPMERKING: De opgegeven geluidsemissiewaarde(n) kan/kunnen ook worden gebruikt voor een beoordeling vooraf van de blootstelling.

⚠️ WAARSCHUWING: Draag gehoorbescherming.

⚠️ WAARSCHUWING: De geluidsemissie tijdens het gebruik van het elektrisch gereedschap in de praktijk kan verschillen van de opgegeven waarde(n) afhankelijk van de manier waarop het gereedschap wordt gebruikt, met name van het soort werkstuk waarmee wordt gewerkt.

⚠️ WAARSCHUWING: Zorg ervoor dat veiligheidsmaatregelen worden getroffen ter bescherming van de gebruiker die zijn gebaseerd op een schatting van de blootstelling onder praktijkomstandigheden (rekening houdend met alle fasen van de bedrijfscyclus, zoals de tijdsduur gedurende welke het gereedschap is uitgeschakeld en stationair draait, naast de ingeschakelde tijdsduur).

EG-verklaring van conformiteit

Alleen voor Europese landen

De EG-verklaring van conformiteit is bijgevoegd als Bijlage A bij deze gebruiksaanwijzing.

VEILIGHEIDSWAARSCHUWINGEN

Algemene veiligheidswaarschuwingen voor elektrisch gereedschap

⚠️ WAARSCHUWING: Lees alle veiligheids- waarschuwingen, aanwijzingen, afbeeldingen en technische gegevens behorend bij dit elektrische gereedschap aandachtig door. Als u niet alle onderstaande aanwijzingen naleeft, kan dat resulteren in brand, elektrische schokken en/of ernstig letsel.

Bewaar alle waarschuwingen en instructies om in de toekomst te kunnen raadplegen.

De term "elektrisch gereedschap" in de veiligheidsvoor- schriften duidt op gereedschappen die op stroom van het lichtnet werken (met snoer) of gereedschappen met een accu (snoerloos).

Veiligheidsinstructies voor verstekzagen

- Verstekzagen zijn bedoeld voor het zagen van hout of houtachtige materialen. Ze kunnen niet worden gebruikt met doorslijpschijven voor het doorslijpen van ferro-materialen, zoals stangen, staven, draadeinden, enz.** Door het slijpstof zullen bewegende delen, zoals de onderste beschermkap, vastlopen. De vonken die bij doorslijpen worden geproduceerd, verbranden de onderste beschermkap, het zaagsnede-inzetstuk en andere kunststofonderdelen.
 - Gebruik klemmen om het werkstuk vast te zetten wanneer dat mogelijk is. Als u het werk- stuk met de hand vasthoudt, moet u uw hand altijd minstens 100 mm van beide kanten van het zaagblad weg houden. Gebruik deze zaag niet voor het zagen van werkstukken die te klein zijn om stevig vast te klemmen of met de hand vast te houden. Als uw hand te dicht bij het zaagblad is geplaatst, is de kans groter dat u letsel oploopt door het aanraken van het zaagblad.**
 - Het werkstuk moet stil liggen en vastgeklemd zijn of vastgehouden worden tegen zowel de geleider als de tafel. Voer het werkstuk niet in het zaagblad aan, en zaag nooit 'uit de vrije hand'. Losliggende of bewegende werkstukken kunnen op hoge snelheid worden weggeworpen en letsel veroorzaken.**
 - Kruis met uw hand nooit de beoogde zaaglijn, hetzij vóór dan wel achter het zaagblad. Het 'kruislings' vasthouden van het werkstuk, waarbij het werkstuk aan de rechterkant van het zaagblad wordt vastgehouden met de linkerhand, of vice versa, is bijzonder gevaarlijk.**
- Fig.1
- Reik niet achter de geleider met een van uw handen dichterbij dan 100 mm bij een van de kanten van het zaagblad, om houtsnippers te verwijderen of om welke andere reden dan ook, terwijl het zaagblad draait. U realiseert zich mogelijk niet hoe dicht uw hand bij het draaiende zaagblad is en u kunt ernstig letsel oplopen.**
 - Inspecteer uw werkstuk voordat u begint te zagen. Als het werkstuk gebogen of verdraaid is, klemt u het vast met de buitenkant van het gebogen oppervlak tegen de geleider. Verzekert u er altijd van dat er geen opening is tussen het werkstuk, de geleider en de tafel langs de zaaglijn. Gebogen of verdraaide werkstukken kunnen zich draaien of verschuiven, en kunnen het draaiende zaagblad doen verlopen tijdens het zagen. Er mogen geen spijkers of vreemde voorwerpen in het werkstuk zitten.**

7. **Gebruik de zaag niet totdat de tafel vrij is van alle gereedschappen, houtsnippers, enz., behalve het werkstuk.** Kleine stukjes afval, losse stukjes hout of andere voorwerpen die in aanraking komen met het draaiende zaagblad, kunnen met hoge snelheid worden weggegooid.
 8. **Zaag slechts één werkstuk tegelijkertijd.** Meerdere, opgestapelde werkstukken kunnen niet goed worden vastgeklemd of vastgehouden, en kunnen het zaagblad doen vastlopen of tijdens het zagen verschuiven.
 9. **Verzekert u er vóór gebruik van dat de verstekzaag is bevestigd of geplaatst op een stevig werkoppervlak.** Een horizontaal en stevig werkoppervlak verkleint de kans dat de verstekzaag instabiel wordt.
 10. **Plan uw werkzaamheden. Elke keer wanneer u de instelling voor de schuine hoek of verstekhoek, verzekert u zich ervan dat de verstelbare geleider correct is afgesteld om het werkstuk te steunen en tevens het zaagblad of beschermingssysteem niet raakt tijdens gebruik.** Zonder het gereedschap in te schakelen en zonder een werkstuk op de tafel, beweegt u het zaagblad langs een volledige, gesimuleerde zaagsnede om er zeker van te zijn dat het zaagblad niets raakt en er geen gevaar is dat in de geleider wordt gezaagd.
 11. **Zorg voor voldoende ondersteuning, zoals tafelverlengingen, zaagbokken, enz. voor een werkstuk dat breder of langer is dan het bovenoppervlak van de tafel.** Werkstukken die breder of langer zijn dan de verstekzaagtafel, kunnen kantelen als ze niet goed worden ondersteund. Als het afgezaagde deel of het werkstuk kantelt, kan het de onderste beschermkap optillen of worden weggegooid door het draaiende zaagblad.
 12. **Gebruik niet een andere persoon als vervangning van een tafelverlenging of als extra ondersteuning.** Een instabiele ondersteuning van het werkstuk kan ertoe leiden dat het zaagblad vastloopt of het werkstuk verschuift tijdens het zagen, waardoor u en de helper in het draaiende zaagblad worden getrokken.
 13. **Het afgezaagde deel van het werkstuk mag op geen enkele wijze tegen het draaiende zaagblad bekneld raken of gedrukt worden.** Indien opgesloten, d.w.z. bij gebruik van lengteaanslagen, kan het afgezaagde deel tegen het zaagblad bekneld raken en met kracht weggegooid worden.
 14. **Gebruik altijd een klem of een bevestigingsmethode die bedoeld is om ronde werkstukken, zoals een staaf of buis, te ondersteunen.** Staven neigen te verrollen tijdens het zagen, waardoor het zaagblad zich 'vastbijt' en het werkstuk met uw hand in het zaagblad wordt getrokken.
 15. **Laat het zaagblad de volle snelheid bereiken voordat deze het werkstuk raakt.** Dit verkleint de kans dat het werkstuk wordt weggegooid.
 16. **Als het werkstuk of zaagblad vastloopt, schakelt u de verstekzaag uit. Wacht totdat alle bewegende delen tot stilstand zijn gekomen en trek de stekker uit het stopcontact en/of verwijder de accu. Verwijder daarna het vastgelopen materiaal.** Als u blijft zagen met een vastgelopen zaagblad, kunt u de controle over de verstekzaag verliezen of deze beschadigen.
 17. **Nadat u de zaagsnede hebt voltooid, laat u de schakelaar los, blijft u de zaagkop omlaag gedrukt houden en wacht u tot het zaagblad stilstaat voordat u het afgezaagde deel verwijderd.** Het is gevaarlijk om met uw hand in de buurt van het nalopende zaagblad te reiken.
 18. **Houd het handvat stevig vast bij het maken van een onvolledige zaagsnede en bij het loslaten van de schakelaar voordat de zaagkop helemaal omlaag is geduwd.** Door het remeffect van het zaagblad kan ertoe leiden dat de zaagkop plotseling omlaag getrokken wordt, waardoor een kans op letsel ontstaat.
 19. **Gebruik uitsluitend een zaagblad met een diameter zoals aangegeven op het gereedschap of vermeld in de gebruiksaanwijzing.** Het gebruik van een zaagblad met een verkeerde afmeting, kan een goede bescherming of werking van het zaagblad verhinderen, wat kan leiden tot ernstig persoonlijk letsel.
 20. **Gebruik altijd een zaagblad dat is gemarkeerd met een toerental dat gelijk is aan of hoger is dan het toerental dat is aangegeven op het gereedschap.**
 21. **Gebruik de zaag niet voor het zagen van iets anders dan hout, aluminium of soortgelijke materialen.**
 22. **(Alleen voor Europese landen) Gebruik altijd een zaagblad dat voldoet aan EN847-1.**
- Aanvullende instructies**
1. **Houd de werkplaats kinderveilig met hangsloten.**
 2. **Ga nooit op het gereedschap staan.** Er kan ernstig letsel ontstaan als het gereedschap omvalt of als het snij-/zaaggarnituur per ongeluk wordt aangeraakt.
 3. **Laat het gereedschap nooit ingeschakeld achter.** Schakel de voeding uit. Laat het gereedschap niet achter totdat het volledig tot stilstand is gekomen.
 4. **Gebruik de zaag niet zonder dat de beschermkappen zijn aangebracht.** Controleer vóór elk gebruik of de beschermkap goed sluit. Gebruik de zaag niet indien de beschermkap niet goed beweegt en niet snel over het zaagblad sluit. Klem of bind de beschermkap nooit in de geopende stand vast.
 5. **Houd uw handen uit de buurt van het zaagblad.** Voorkom contact met het nog nadraaiende zaagblad. Het kan nog steeds ernstig letsel veroorzaken.
 6. **Zet alle bewegende onderdelen vast alvorens het gereedschap te dragen.**
 7. **De aanslagen die de zaagkop in de onderste stand vergrendelt, wordt alleen gebruikt voor het dragen en opbergen van het gereedschap en niet voor zaagbedieningen.**
 8. **Controleer vóór het gebruik het zaagblad zorgvuldig op barsten of beschadiging.** Vervang een gebarsten of beschadigd zaagblad onmiddellijk. Gom of hars dat op het zaagblad is opgedroogd vertraagt het zaagblad en verhoogt de kans op terugslag. Houd het zaagblad schoon door dit eerst van het gereedschap te demonteren en het vervolgens schoon te maken met een schoonmaakmiddel voor gom en hars, heet water of kerosine. Gebruik nooit benzine om het zaagblad schoon te maken.

9. Gebruik alleen flenzen die voor dit gereedschap zijn bestemd.
10. Pas op dat u de as, de flenzen (vooral hun montagevlak) of de bout niet beschadigt. Beschadiging van deze onderdelen kan zaagbladbreuk veroorzaken.
11. Zorg dat het draaibaar voetstuk goed vastgezet is, zodat het tijdens het zagen niet kan bewegen. Gebruik de gaten in het voetstuk om de zaag te bevestigen op een stevig werkplatform of een stevige werkbank. Gebruik het gereedschap NOOIT wanneer de gebruiker in een ongemakkelijke houding moet staan.
12. Zet de asblokkering in de vrije stand alvorens de schakelaar in te drukken.
13. Zorg ervoor dat het zaagblad in zijn laagste positie niet in aanraking komt met het draaibaar voetstuk.
14. Houd het handvat stevig vast. Denk eraan dat de zaag bij het starten en stoppen even op- en neergaat.
15. Zorg dat het zaagblad bij het inschakelen niet in contact is met het werkstuk.
16. Laat het gereedschap een tijdje draaien alvorens het op het werkstuk te gebruiken. Controleer op trillingen of schommelingen die op onjuiste montage of op een slecht uitgebalanceerd zaagblad kunnen wijzen.
17. Stop onmiddellijk met zagen indien u iets abnormaals opmerkt.
18. Probeer niet om de trekkerschakelaar in de ingeschakeld stand te vergrendelen.
19. Gebruik uitsluitend de accessoires die in deze gebruiksaanwijzing worden aanbevolen. Het gebruik van ongeschikte accessoires, zoals slijpschijven, kan letsel veroorzaken.
20. Sommige materialen bevatten chemische stoffen die giftig kunnen zijn. Wees voorzichtig dat u geen stof inademt en het stof niet op uw huid komt. Volg de veiligheidsinstructies van de leverancier van het materiaal op.

Aanvullende veiligheidsvoorschriften voor een laser

1. LASERSTRALING: KIJK NIET IN DE LASERSTRAAL EN KIJK NIET DOOR OPTISCHE INSTRUMENTEN RECHTSTREEKS NAAR DE LASERSTRAAL. LASERPRODUCT VAN KLASSE 2M.

BEWAAR DEZE INSTRUCTIES.

⚠ WAARSCHUWING: Laat u NIET misleiden door een vals gevoel van comfort en bekendheid met het gereedschap (na veelvuldig gebruik) en neem alle veiligheidsvoorschriften van het betreffende gereedschap altijd strikt in acht. VERKEERD GEBRUIK of het niet naleven van de veiligheidsvoorschriften in deze gebruiksaanwijzing kan leiden tot ernstig persoonlijk letsel.

BEVESTIGEN

Wanneer u het gereedschap koopt is het handvat vergrendeld in de onderste stand door middel van de aanslagpen. Draai de bout los met de sleutel die bij het gereedschap werd geleverd en zet de zaagkop in de juiste hoek. Verwijder de bout en zet de zaagkop vast met de knop.

► Fig.2: 1. Sleutel

► Fig.3: 1. Knop

De extra plaat aanbrengen

Leg het gat in de extra plaat op het gat in het voetstuk van het gereedschap en monteer de extra plaat met behulp van de schroef.

► Fig.4: 1. Extra plaat 2. Schroef 3. Voetstuk

Op een werktafel bevestigen

Wanneer u het gereedschap koopt is het handvat vergrendeld in de onderste stand door middel van de aanslagpen. Ontgrendel de aanslagpen door het handvat iets omlaag te duwen en de aanslagpen naar buiten te trekken.

► Fig.5: 1. Aanslagpen

Dit gereedschap moet met vier bouten worden gemonteerd op een horizontale en stabiele ondergrond met gebruikmaking van de boutgaten in het voetstuk van het gereedschap. Hierdoor wordt voorkomen dat het gereedschap kan omvallen en letsel kan veroorzaken.

► Fig.6: 1. Bout

BESCHRIJVING VAN DE FUNCTIES

⚠ LET OP: Controleer altijd of het gereedschap is uitgeschakeld en de stekker ervan uit het stopcontact is verwijderd alvorens de functies op het gereedschap te controleren of af te stellen.

Beschermkap

► Fig.7: 1. Beschermkap

Wanneer u het handvat omlaag duwt, gaat de beschermkap automatisch omhoog. De beschermkap is veerbelast zodat zij naar haar oorspronkelijke positie terugkeert wanneer het zagen voltooid is en het handvat omhoog wordt gebracht. NOOIT DE WERKING VAN DE BESCHERMKAP OF DE DAARAAAN BEVESTIGDE VEER HINDEREN OF DEZE VERWIJDEREN.

Omwille van uw persoonlijke veiligheid zorgt u ervoor dat de beschermkap altijd goed werkt. Iedere onregelmatigheid in de werking van de beschermkap moet onmiddellijk worden gecorrigeerd. Controleer of de veer goed werkt zodat de beschermkap goed terugkeert. NOOIT HET GEREEDSCHAP GEBRUIKEN ALS DE BESCHERMKAP OF VEER BESCHADIGD, DEFECT OF VERWIJDERD IS. DIT TOCH DOEN IS UITERST GEVAARLIJK EN KAN LEIDEN TOT ERNSTIG PERSOONLIJK LETSEL.

Als de doorzichtige beschermkap vuil is geworden of er zaagsel aan kleeft zodat het zaagblad en/of het werkstuk niet meer goed zichtbaar is, trekt u de stekker uit het stopcontact en maakt u de beschermkap voorzichtig schoon met een vochtige doek. Gebruik geen oplosmiddelen of op petroleum gebaseerde schoonmaakmiddelen op de kunststoffen beschermkap.

Als de beschermkap bijzonder vuil is en u er niet meer doorheen kunt kijken, gebruikt u de bijgeleverde sleutel om de zeskantbout los te draaien waarmee de middenkap is bevestigd. Draai de zeskantbout los door deze linksom te draaien en til de beschermkap en middenkap op. Met de beschermkap in deze stand kan deze effectiever en vollediger worden schoongemaakt. Nadat u klaar bent met het schoonmaken, voert u de bovenstaande procedure in omgekeerde volgorde uit en draait u de bout weer vast. Verwijder de veer van de beschermkap niet. Als de beschermkap van kleur is veranderd door ouderdom of blootstelling aan ultravioletlicht, neemt u contact op met een Makita-servicecentrum om een nieuwe beschermkap te bestellen. **DE BESCHERMKAP NOOIT VASTZETTEN OF VERWIJDEREN.**

► **Fig.8:** 1. Beschermkap

Zaagsnedeplaat

Dit gereedschap is voorzien van een zaagsnedeplaat in het draaibaar voetstuk om splinteren aan de uitgangszijde van de zaagsnede te minimaliseren. Als de zaagsnede groef in de fabriek nog niet is aangebracht in de zaagsnedeplaat, moet u de groef zelf maken voordat u met het gereedschap een werkstuk zaagt. Schakel het gereedschap in en breng het zaagblad langzaam omlaag om een zaagsnede te maken in de zaagsnedeplaat.

► **Fig.9:** 1. Zaagsnedeplaat

Een maximale zaagdiepte behouden

Dit gereedschap is in de fabriek afgesteld om de maximale zaagdiepte te leveren met een zaagblad met een diameter van 255 mm.

Controleer bij het monteren van een nieuw zaagblad altijd de onderste stand van het zaagblad en stel deze zo nodig als volgt af:

Trek eerst de stekker van het gereedschap uit het stopcontact. Breng het handvat zo ver mogelijk omlaag. Gebruik een sleutel om de stelbout te draaien totdat de rand van het zaagblad tot net onder het bovenoppervlak van het draaibaar voetstuk komt op het punt waar de voorzijde van de geleider raakt aan het bovenoppervlak van het draaibaar voetstuk.

► **Fig.10:** 1. Stelbout

Met de stekker van het gereedschap uit het stopcontact getrokken, houdt u het handvat helemaal omlaag gedrukt en draait u het zaagblad met de hand rond om u ervan te verzekeren dat het zaagblad geen enkel onderdeel van het voetstuk raakt. Stel opnieuw een beetje af, indien nodig.

► **Fig.11:** 1. Bovenoppervlak van draaibaar voetstuk
2. Rand van zaagblad 3. Geleider

⚠️ LET OP: Na het aanbrengen van een nieuw zaagblad controleert u altijd dat het zaagblad geen enkel onderdeel van het voetstuk raakt wanneer het handvat helemaal omlaag wordt gedruwd. Doe dit alleen wanneer de stekker van het gereedschap uit het stopcontact is getrokken.

Afstellen van de verstekhoek

► **Fig.12:** 1. Vergrendelknop 2. Handgreep

Draai de handgreep los door hem linksom te draaien. Houd de vergrendelhendel ingedrukt en draai het draaibaar voetstuk. Nadat u de handgreep hebt gedraaid naar de positie waarop de wijzer de gewenste hoek op de horizontaal-verstekschaalverdeling aangeeft, draait u de handgreep stevig rechtsom vast.

⚠️ LET OP: Voor het verdraaien van het draaibaar voetstuk dient u het handvat volledig omhoog te brengen.

⚠️ LET OP: Na het wijzigen van de verstekhoek, dient u het draaibaar voetstuk altijd vast te zetten door de handgreep stevig vast te draaien.

Afstellen van de schuine hoek

► **Fig.13:** 1. Knop

Om de verticaal-verstekhoek in te stellen, draait u de knop aan de achterkant van het gereedschap linksom los.

► **Fig.14:** 1. Wijzer

Duw het handvat naar links om het zaagblad te kantelen totdat de wijzer de gewenste hoek aangeeft op de verticaal-verstekschaalverdeling. Draai tenslotte de knop weer stevig rechtsom vast om de arm vast te zetten.

⚠️ LET OP: Voordat u het zaagblad kantelt, controleert u dat het handvat helemaal omhoog staat.

⚠️ LET OP: Na het wijzigen van de schuine hoek, dient u altijd de arm vast te zetten door de hendel rechtsom vast te draaien.

Werking van de schakelaar

⚠️ WAARSCHUWING: Controleer altijd, voordat u de stekker in het stopcontact steekt, of de trekkerschakelaar op de juiste manier schakelt en weer terugkeert naar de uit-stand nadat deze is losgelaten. Het gereedschap gebruiken zonder dat de trekkerschakelaar goed werkt, kan leiden tot verlies van controle en ernstig persoonlijk letsel.

⚠️ WAARSCHUWING: Gebruik het gereedschap NOOIT met een defecte trekkerschakelaar. Ieder gereedschap met een defecte trekkerschakelaar is UITERST GEVAARLIJK en moet worden gerepareerd voordat het gereedschap wordt gebruikt of ernstig persoonlijk letsel wordt veroorzaakt.

► **Fig.15:** 1. Trekkerschakelaar 2. Uit-vergrendelknop

Een uit-vergrendelknop is aanwezig om te voorkomen dat de trekkerschakelaar per ongeluk wordt ingedrukt. Om het gereedschap te starten, drukt u de uit-vergrendelknop in en drukt u vervolgens de trekkerschakelaar in. Laat de trekkerschakelaar los om het gereedschap te stoppen.

MONTAGE

⚠ LET OP: Zorg altijd dat het gereedschap is uitgeschakeld en dat zijn stekker uit het stopcontact is verwijderd alvorens enig werk aan het gereedschap uit te voeren.

Het zaagblad aanbrengen en verwijderen

⚠ LET OP: Controleer altijd of het gereedschap is uitgeschakeld en de stekker uit het stopcontact is getrokken alvorens het zaagblad aan te brengen of te verwijderen.

⚠ LET OP: Gebruik uitsluitend de bijgeleverde Makita-sleutel voor het aanbrengen en verwijderen van het zaagblad. Als u dit nalaat, loopt u het risico dat de zeskantbout te vast of onvoldoende vast aangedraaid wordt. Dit kan leiden tot persoonlijk letsel.

Bij het aanbrengen of verwijderen van het zaagblad moet het handvat in de bovenste stand staan.

Als u het zaagblad wilt verwijderen gebruikt u de sleutel om de zeskantbout waarmee de middenkap is bevestigd linksom los te draaien. Breng de beschermkap en de middenkap omhoog.

► Fig.16: 1. Sleutel 2. Middenkap

► Fig.17: 1. Zeskantbout

Druk de asvergrendeling in om de as te vergrendelen en gebruik de sleutel om de zeskantbout rechtsom los te draaien. Verwijder daarna de zeskantbout, de buitenflens en het zaagblad.

► Fig.18: 1. Zeskantbout 2. Sleutel

Als u een nieuw zaagblad wilt aanbrengen, plaatst u het voorzichtig op de as, waarbij u er goed op let dat de richting van de pijl op de zijkant van het zaagblad overeenkomt met de richting van de pijl op de zaagbladkast.

► Fig.19: 1. Zaagbladkast 2. Pijl 3. Pijl 4. Zaagblad

Monteer de buitenflens en zeskantbout (met tegen-gestelde schroefdraad), en gebruik de sleutel om de zeskantbout stevig linksom vast te draaien terwijl u de asvergrendeling ingedrukt houdt.

► Fig.20: 1. As 2. Flens 3. Zaagblad 4. Flens 5. Zeskantbout 6. Ring

⚠ LET OP: De ring, met een buitendiameter van 25,4 mm of 30 mm, is door de fabrikant op de as aangebracht. Voordat het zaagblad op de as wordt gemonteerd, moet u ervoor zorgen, dat de juiste ring, passend voor het asgat van het zaagblad, aangebracht is op de as.

Breng de beschermkap en de middenkap terug naar hun oorspronkelijke positie. Draai daarna de zeskantbout rechtsom om de middenkap vast te zetten. Breng het handvat omlaag om te controleren of de beschermkap goed beweegt. Controleer voordat u begint te zagen of de asvergrendeling op de as niet langer vergrendeld is.

Hulpgeleider

Afhankelijk van het land

⚠ WAARSCHUWING: Voor het links schuin zagen klapt u de hulpgeleider uit. Anders zou dat het zaagblad of een deel van het gereedschap kunnen raken, wat kan leiden tot ernstig letsel van de gebruiker.

► Fig.21: 1. Hulpgeleider

Dit gereedschap is voorzien van een hulpgeleider. Gewoonlijk kunt u de hulpgeleider ingeklapt laten. Voor het zagen van een linkse schuin snede, echter, klapt u de hulpgeleider uit.

Een stofzuiger aansluiten

Wanneer u schoon wilt werken, sluit u een Makita-stofzuiger aan.

► Fig.22

Stofzak

► Fig.23: 1. Stofzak

► Fig.24: 1. Sluistrip

Door de stofzak te gebruiken werkt u schoon en kan het zaagsel eenvoudig worden opgeruimd. Om de stofzak te bevestigen, monteert u hem op het mondstuk. Wanneer de stofzak ongeveer halfvol is, maakt u hem los van het gereedschap en trekt u de sluitstrip eruit. Maak de stofzak leeg en tik er zachtjes op voor het verwijderen van achtergebleven stofdeeltjes die verdere stofopvangning zouden kunnen belemmeren.

Werkstuk vastklemmen

⚠ WAARSCHUWING: Het is uiterst belangrijk het werkstuk altijd goed en stevig vast te klemmen in de spanschroef. Als u dit niet doet, kan het gereedschap worden beschadigd en/of het werkstuk worden vernield. **DIT KAN TEVENS LEIDEN TOT PERSOONLIJK LETSEL. Bovendien, nadat u klaar bent met zagen mag u het handvat pas omhoog bewegen nadat het zaagblad volledig tot stilstand is gekomen.**

⚠ LET OP: Als u een lang werkstuk zaagt, gebruikt u steunen die even hoog zijn als het bovenoppervlak van het draaibaar voetstuk. Vertrouw niet alleen op de verticale en/of horizontale spanschroef om het werkstuk op zijn plaats te houden. Dun materiaal hangt gemakkelijk door. Ondersteun het werkstuk over zijn hele lengte om vastklemmen van het zaagblad en mogelijke TERUGSLAG te voorkomen.

► Fig.25: 1. Steun 2. Draaibaar voetstuk

Verticale spanschroef

► Fig.26: 1. Spanschroefknop 2. Schroef 3. Spanschroefarm 4. Spanschroefstang

De verticale spanschroef kan op twee plaatsen worden gemonteerd: aan de linkerkant of aan de rechterkant van de geleider. Steek de spanschroefstang in het gat in de geleider en draai de schroef vast om de spanschroefstang vast te zetten.

Plaats de spanschroefarm overeenkomstig de dikte en vorm van het werkstuk, en zet de spanschroefarm vast door de schroef vast te draaien. Controleer dat geen enkel deel van het gereedschap in aanraking komt met de spanschroef wanneer het handvat tot in de onderste stand omlaag gebracht wordt. Als enig deel de spanschroef raakt, moet u de positie van de spanschroef veranderen.

Druk het werkstuk vlak tegen de geleider en het draaibaar voetstuk. Plaats het werkstuk in de gewenste zaagpositie en zet het stevig vast door de spanschroefknop vast te draaien.

⚠ LET OP: Tijdens alle bedieningen moet het werkstuk door de spanschroef stevig tegen het draaibaar voetstuk en de geleider worden gedrukt.

BEDIENING

⚠ LET OP: Voordat u het gereedschap inschakelt, dient u het handvat uit zijn onderste positie te halen door de aanslagen naar buiten te trekken.

⚠ LET OP: Zorg ervoor dat het zaagblad niet in aanraking is met het werkstuk e.d. voordat u de trekschakelaar indrukt.

⚠ LET OP: Oefen tijdens het zagen geen overmatige druk op het handvat uit. Wanneer u te hard drukt, kan de motor overbelast raken en/of de zaagefficiëntie afnemen. Druk alleen zo hard als nodig is voor soepel zagen zonder dat het toerental van het zaagblad aanzienlijk vermindert.

⚠ LET OP: Druk het handvat zachtjes naar beneden om te zagen. Als u het handvat met kracht omlaag drukt of zijwaarts druk erop uitoefent, kan het zaagblad gaan trillen en een vlek (brandplek) op het werkstuk achterlaten, en kan ook de zaagsnede minder nauwkeurig zijn.

⚠ LET OP: Laat de zaagkop niet ongecontroleerd los vanuit de laagste stand. De ongecontroleerde zaagkop kan tegen u aan komen waardoor persoonlijk letsel zal ontstaan.

Rechtzagen

► Fig.27: 1. Verticale spanschroef

Klem het werkstuk vast in de spanschroef. Schakel het gereedschap in zonder dat het zaagblad met het werkstuk in contact is, en wacht totdat het zaagblad op maximaal toerental draait. Breng vervolgens het handvat voorzichtig helemaal omlaag om het werkstuk te zagen. Nadat het zagen klaar is, schakelt u het gereedschap uit en WACHT U TOTDAT HET ZAAGBLAD VOLLEDIG TOT STILSTAND IS GEKOMEN voordat u het zaagblad omhoog brengt tot in de hoogste stand.

Verstekzagen

Raadpleeg het tekstdeel over het afstellen van de verstekhoek.

Schuin zagen

► Fig.28

Draai de knop los en kantel het zaagblad om de verticaal-verstekhoek in te stellen. (Raadpleeg de beschrijving onder "Afstellen van de schuine hoek".) Vergeet niet de knop weer stevig vast te draaien om de ingestelde verticaal-verstekhoek veilig te kunnen gebruiken. Zet het werkstuk vast met een spanschroef. Schakel het gereedschap in zonder dat het zaagblad met het werkstuk in contact is en wacht totdat het zaagblad op maximaal toerental draait. Breng vervolgens het handvat voorzichtig zo ver mogelijk omlaag en oefen druk uit parallel aan het zaagblad. Nadat het zagen klaar is, schakelt u het gereedschap uit en WACHT U TOTDAT HET ZAAGBLAD VOLLEDIG TOT STILSTAND IS GEKOMEN voordat u het zaagblad omhoog brengt tot in de hoogste stand.

⚠ LET OP: Onthoud goed dat het zaagblad onder de verticaal-verstekhoek omlaag beweegt tijdens het verticaal-verstekzagen. Houd uw handen uit de buurt van het zaagblad.

⚠ LET OP: Tijdens het verticaal-verstekzagen kan het voorkomen dat het afgezaagde stuk hout tegen de zijkant van het zaagblad ligt. Als het zaagblad omhoog gebracht wordt terwijl het nog draait, kan dit stuk hout door het zaagblad gepakt worden waardoor fragmenten worden rondgeslingerd. Dit is gevaarlijk. Het zaagblad mag ALLEEN omhoog worden gebracht nadat dit volledig tot stilstand is gekomen.

⚠ LET OP: Bij het omlaag brengen van het handvat, moet de uitgeoefende druk parallel zijn aan het zaagblad. Als tijdens het zagen de druk niet parallel aan het zaagblad wordt uitgeoefend, kan de hoek van het zaagblad verlopen waardoor een onzuivere zaagsnede ontstaat.

⚠ LET OP: (Alleen voor gereedschappen met een hulpgeleider.) Wanneer u een linker schuine zaagsnede maakt, klappt u altijd de hulpgeleider naar buiten.

Gecombineerd zagen

Gecombineerd zagen betekent dat het werkstuk tegelijk met een schuine hoek en een verstekhoek wordt gezaagd. Gecombineerd zagen is mogelijk voor de hoeken aangegeven in de onderstaande tabel.

Schuine hoek	Verstekhoek
45°	Links en rechts 0° t/m 45°

Als u samengesteld verstekzagen wilt uitvoeren, raadpleegt u de beschrijvingen onder "Rechtzagen", "Verstekzagen" en "Schuin zagen".

Kroon-profiellijsten en kwarthol-profiellijsten zagen

Kroon-profiellijsten en kwarthol-profiellijsten kunnen worden gezaagd op een gecombineerd-verstekzaag waarbij de sierlijsten plat op het draaibaar voetstuk liggen.

Er zijn twee veelvoorkomende typen kroon-profiellijsten en één veelvoorkomend type kwarthol-profiellijsten: kroon-profiellijsten met een wandhoek van 52/38°, kroon-profiellijsten met een wandhoek van 45°, en kwarthol-profiellijsten met een wandhoek van 45°.

► **Fig.29:** 1. Kroon-profiellijst met een wandhoek van 52/38° 2. Kroon-profiellijst met een wandhoek van 45° 3. Kwarthol-profiellijst met een wandhoek van 45°

Er zijn verbindingen van kroon-profiellijsten en van kwarthol-profiellijsten die passen in binnenhoeken van 90° (zie (a) en (b) in de afb.), en om buitenboeken van 90° (zie (c) en (d) in de afb.).

► **Fig.30:** 1. Binnenhoek 2. Buitenhoek

► **Fig.31:** 1. Binnenhoek 2. Buitenhoek

Opmeten

Meet de breedte van de wand, en pas de breedte van het werkstuk daarop aan. Zorg er altijd voor dat de breedte van het raakvlak met de wand van het werkstuk hetzelfde is als de breedte van de wand.

► **Fig.32:** 1. Werkstuk 2. Breedte van de wand 3. Breedte van het werkstuk 4. Raakvlak met de wand

Gebruik altijd meerdere proefwerkstukken om de benodigde zaaghoek te controleren.

Bij het zagen van kroon-profiellijsten en kwarthol-profiellijsten stelt u de verstekhoek en schuine hoek in, zoals aangegeven in tabel (A), en legt u de sierlijst op het bovenoppervlak van het draaibaar voetstuk, zoals aangegeven in tabel (B).

Voor een linker schuine zaagsnede

► **Fig.33:** 1. Binnenhoek 2. Buitenhoek

Tabel (A)

–	Gedeelte van de profiellijst in de afbeelding	Schuine hoek		Verstekhoek	
		Hoek 52/38°	Hoek 45°	Hoek 52/38°	Hoek 45°
Binnenhoek	(a)	Links 33,9°	Links 30°	Rechts 31,6°	Rechts 35,3°
	(b)			Links 31,6°	Links 35,3°
Buitenhoek	(c)				
	(d)			Rechts 31,6°	Rechts 35,3°

Tabel (B)

–	Gedeelte van de profiellijst in de afbeelding	Kant van de sierlijst die tegen de geleider moet liggen	Afgewerkt werkstuk
Binnenhoek	(a)	Kant die tegen het plafond komt moet tegen de geleider liggen.	Het afgewerkte werkstuk ligt aan de linker kant van het zaagblad.
	(b)	Kant die tegen de wand komt moet tegen de geleider liggen.	
Buitenhoek	(c)	Kant die tegen het plafond komt moet tegen de geleider liggen.	Het afgewerkte werkstuk ligt aan de rechter kant van het zaagblad.
	(d)	Kant die tegen het plafond komt moet tegen de geleider liggen.	

Voorbeeld:

In het geval u een kroon-profiellijst zaagt van het type 52/38° voor gedeelte (a) in de bovenstaande afbeelding:

- Kantel de zaag naar de stand voor een schuine hoek van 33,9° LINKS.
- Stel een verstekhoek in van 31,6° RECHTS.
- Leg de kroon-profiellijst op het gereedschap met de achterkant (verborgen) naar onderen gericht op het draaibaar voetstuk en de KANT DIE TEGEN HET PLAFOND KOMT tegen de geleider.
- Het afgewerkte werkstuk dat u gaat gebruiken ligt altijd LINKS van het zaagblad nadat het zagen klaar is.

Aluminiumprofielen zagen

► **Fig.34:** 1. Spanschroef 2. Vulblok 3. Geleider 4. Aluminiumprofiel 5. Vulblok

Als u een aluminiumprofiel wilt vastklemmen in de spanschroef, maakt u gebruik van vulblokken of stukken afvalhout, zoals aangegeven in de afbeelding, om te voorkomen dat het aluminiumprofiel vervormt. Gebruik snijolie als smeermiddel bij het zagen van een aluminiumprofiel om te voorkomen dat aluminiumslijpsel zich op het zaagblad ophoopt.

⚠ LET OP: Probeer nooit dikke aluminiumprofielen of ronde aluminiumpijpen te zagen. Dikke aluminiumprofielen kunnen losschieten tijdens het zagen en ronde aluminiumprofielen kunnen niet stevig worden vastgeklemd in dit gereedschap.

Houten bekleding

WAARSCHUWING: Bevestig het houten hulpstuk aan de geleider met behulp van schroeven. De schroeven moeten zodanig worden gemonteerd dat de schroefkoppen onder het oppervlak van het houten hulpstuk vallen zo dat ze niet in de weg zitten van het werkstuk dat wordt gezaagd. Als het werkstuk dat wordt gezaagd verkeerd is uitgelijnd, kan het tijdens het zagen onverwacht gaan bewegen, wat kan leiden tot verlies van controle over het gereedschap en ernstig persoonlijk letsel.

LET OP: Gebruik als houten hulpstuk een recht stuk hout van gelijke dikte.

Het gebruik van een houten hulpstuk helpt om splinter-vrije sneden te krijgen. Gebruik de gaten in de geleider om een houten hulpstuk aan de geleider te bevestigen. Zie de afbeelding voor de afmetingen van een dergelijk houten hulpstuk.

► Fig.35: 1. Gaten

KENNISGEVING: Als de houten bekleding op de geleider is bevestigd, mag u het draaibaar voetstuk niet meer draaien terwijl het handvat omlaag staat. Als u dit doet, kan het zaagblad en/of het houten hulpstuk worden beschadigd.

OPMERKING: De maximale zaagdikte moet worden verminderd met de dikte van de houten bekleding.

Steeds dezelfde lengte afzagen

Als u meerdere werkstukken op dezelfde lengte wilt afzagen, van 240 mm tot 380 mm, gebruikt u de aanzetplaat (optioneel accessoire). Monteer de aanzetplaat op de steunstang (optioneel accessoire) zoals afgebeeld.

► Fig.36: 1. Aanzetplaat 2. Steunstangen 3. Schroef
Breng de zaaglijn op uw werkstuk op één lijn met de linkerzijde of de rechterzijde van de groef in de zaagsnedeplaat. Houd het werkstuk vast zodat het niet kan bewegen, en plaats de aanzetplaat vlak tegen het einde van het werkstuk. Zet daarna de aanzetplaat vast met de schroef. Wanneer u de aanzetplaat niet gebruikt, draait u de schroef los en draait u de aanzetplaat uit de weg.

OPMERKING: Door de steunstangen en steunstanghouder (optioneel accessoire) te gebruiken kunt u stukken van dezelfde lengte van ongeveer maximaal 2.200 mm zagen.

Het gereedschap dragen

► Fig.37: 1. Aanslagen

Zorg ervoor dat de stekker uit het stopcontact is getrokken. Zet het zaagblad vast op een verticaal-verstekhoek van 0° en het draaibaar voetstuk op maximaal horizontaal-verstek naar links. Breng het handvat volledig omlaag en vergrendel het in de laagste positie door de aanslagen in te drukken.

Draag het gereedschap aan de transporthandgreep, zoals aangegeven in de afbeelding. Het gereedschap is gemakkelijker om te dragen wanneer u de steunstangen, stofzak, enz., ervan verwijderd.

► Fig.38

LET OP: Zet alle bewegende onderdelen vast alvorens het gereedschap te dragen.

LET OP: De aanslagen is uitsluitend bedoeld te worden gebruikt tijdens het dragen en bewaren van het gereedschap, en niet tijdens het zagen.

ONDERHOUD

WAARSCHUWING: Zorg altijd dat het zaagblad scherp en schoon is om optimale en veilige prestaties te krijgen. Als u probeert te zagen met een bot en/of vuil zaagblad, kan een terugslag optreden die kan leiden tot ernstig persoonlijk letsel.

LET OP: Zorg altijd dat het gereedschap is uitgeschakeld en zijn stekker uit het stopcontact is verwijderd alvorens te beginnen met inspectie of onderhoud.

KENNISGEVING: Gebruik nooit benzine, wasbenzine, thinner, alcohol en dergelijke. Hierdoor kunnen verkleuring, vervormingen en barsten worden veroorzaakt.

Afstellen van de zaaghoek

Dit gereedschap werd in de fabriek nauwkeurig afgesteld en uitgelijnd, maar door ruwe behandeling kan de uitlijning ervan verslechterd zijn. Doe het volgende indien uw gereedschap niet meer juist is uitgelijnd:

Verstekhoek

► Fig.39: 1. Zeskantbout

Draai de handgreep los waarmee het draaibaar voetstuk is vastgezet. Draai het draaibaar voetstuk zodat de wijzer precies 0° aangeeft op de horizontaal-verstekschaalverdeling. Draai de handgreep vast en draai met de sleutel de zeskantbouten los waarmee de geleider is bevestigd. Als de wijzer op de horizontaal-verstekschaalverdeling niet precies op 0° staat, draait u de schroef los waarmee de wijzer is vastgezet, verplaatst u de wijzerplaat en zet u deze weer vast zodanig dat de wijzer nu wel 0° aanwijst op de horizontaal-verstekschaalverdeling.

Breng het handvat volledig omlaag en vergrendel het in de laagste positie door de aanslagen in te drukken. Zet de zijkant van het zaagblad haaks op de voorzijde van de geleider met behulp van een geodriehoek, winkelhaak, enz. Draai vervolgens de zeskantbouten van de geleider op volgorde vast vanaf de rechterkant.

► Fig.40: 1. Geodriehoek

Schuine hoek

Schuine hoek van 0°

- **Fig.41:** 1. Stelbout voor verticaal-verstekhoek van 0°

Breng het handvat volledig omlaag en vergrendel het in de laagste positie door de aanslagpen in te drukken. Draai de knop aan de achterkant van het gereedschap los.

Draai de zeskantmoer los en draai de stelbout voor de verticaal-verstekhoek van 0° aan de rechterkant van het draaibaar voetstuk twee of drie volle slagen rechtsom zodat het zaagblad naar rechts kantelt.

Zet met behulp van een geodriehoek, winkelhaak, enz., de zijkant van het zaagblad nauwkeurig haaks op het bovenoppervlak van het draaibaar voetstuk door de stelbout voor de verticaal-verstekhoek van 0° linksom te draaien. Draai vervolgens de zeskantmoer vast om de stelbout voor de verticaal-verstekhoek van 0° te borgen en draai de knop stevig vast.

Controleer dat de wijzer op de arm naar 0° wijst op de verticaal-verstekschaalverdeling. Als de aanwijspunt op de verticaal-verstekschaalverdeling niet precies op 0° staat, draait u de schroef los waarmee de wijzer is vastgezet, verplaatst u de wijzerplaat en zet u deze weer vast zodanig dat de wijzer nu wel 0° aanwijst op de verticaal-verstekschaalverdeling.

- **Fig.42:** 1. Geodriehoek 2. Zaagblad
3. Bovenoppervlak van draaibaar voetstuk

- **Fig.43:** 1. Wijzer

Schuine hoek van 45°

- **Fig.44:** 1. Stelbout voor verticaal-verstekhoek van 45° 2. Wijzer

Stel de schuine hoek van 45° pas in nadat de schuine hoek van 0° is ingesteld.

Om de verticaal-verstekhoek van 45° naar links af te stellen, draait u de knop los en kantelt u het zaagblad volledig naar links.

Controleer dat de wijzer op de arm naar 45° wijst op de verticaal-verstekschaalverdeling op de arm.

Als de wijzer niet precies op 45° staat, draait u de stelbout voor de verticaal-verstekhoek van 45° aan de linkerkant van de arm totdat de wijzer wel 45° aanwijst.

De koolborstels vervangen

- **Fig.45**

Verwijder en controleer de koolborstels regelmatig. Vervang deze wanneer ze tot 3 mm lengte zijn afgesleten. Houd de koolborstels schoon en zorg ervoor dat ze vrij kunnen bewegen in de houders. Beide koolborstels dienen tegelijkertijd te worden vervangen. Gebruik alleen identieke koolborstels.

Gebruik een schroevendraaier om de koolborsteldoppen te verwijderen. Haal de versleten koolborstels eruit, plaats de nieuwe erin, en zet de koolborsteldoppen goed vast.

- **Fig.46:** 1. Koolborsteldop 2. Schroevendraaier

Na het gebruik

Veeg na gebruik alle zaagsel en stof op het gereedschap eraf met een doek of iets dergelijks. Houd de beschermkap schoon volgens de instructies die in de paragraaf "Beschermkap" werden beschreven. Smeer de schuivende delen in met machineolie om roestvorming te voorkomen.

Om de VEILIGHEID en BETROUWBAARHEID van het gereedschap te handhaven, dienen alle reparaties, onderhoud of afstellingen te worden uitgevoerd bij een erkend Makita-servicecentrum of de Makita-fabriek, en altijd met gebruik van Makita-vervangingsonderdelen.

OPTIONELE ACCESSOIRES

LET OP: Deze accessoires of hulpstukken worden aanbevolen voor gebruik met het Makita gereedschap dat in deze gebruiksaanwijzing is beschreven. Bij gebruik van andere accessoires of hulpstukken bestaat het gevaar van persoonlijke letsel. Gebruik de accessoires of hulpstukken uitsluitend voor hun bestemde doel.

Went u meer bijzonderheden over deze accessoires, neem dan contact op met het plaatselijke Makita-servicecentrum.

- Stalen en hardmetalen zaagbladen (Raadpleeg onze website of neem contact op met uw plaatselijke Makita-dealer voor de correcte zaagbladen die moeten worden gebruikt voor het te zagen materiaal.)

OPMERKING: Sommige items op de lijst kunnen zijn inbegrepen in de doos van het gereedschap als standaard toebehoren. Deze kunnen van land tot land verschillen.

ESPECIFICACIONES

Modelo:		M2300
Diámetro del disco		255 mm
Diámetro del agujero	Para todos los países excepto los países europeos	25,4 mm o 30 mm (específico para cada país)
	Para países europeos	30 mm
Grosor máximo de la hendidura del disco		3,2 mm
Velocidad en vacío		4.200 min ⁻¹
Dimensiones (La x An x Al)		610 mm x 485 mm x 515 mm
Peso neto		13,8 kg
Clase de seguridad		□/II






- Debido a nuestro continuado programa de investigación y desarrollo, las especificaciones aquí dadas están sujetas a cambios sin previo aviso.
- Las especificaciones pueden ser diferentes de país a país.
- Peso de acuerdo con el procedimiento EPTA 01/2014

Capacidades de corte (Al x An) con disco de 255 mm de diámetro

Ángulo de bisel	Ángulo de inglete	
	0°	45° (izquierdo y derecho)
0°	75 mm x 130 mm	75 mm x 90 mm
45° (izquierdo)	48 mm x 120 mm	48 mm x 90 mm

Símbolos

A continuación se muestran los símbolos que pueden ser utilizados para el equipo. Asegúrese de que entienda su significado antes de utilizar.

	Lea el manual de instrucciones.
	DOBLE AISLAMIENTO
	Para evitar heridas causadas por restos que salen volando, siga sujetando el cabezal de la sierra en posición bajada, después de hacer cortes, hasta que el disco se haya parado completamente.
	No ponga la mano o los dedos cerca del disco.
	Ponga siempre la GUÍA SECUNDARIA en la posición izquierda cuando realice cortes de bisel izquierdo. En caso contrario el operario podrá sufrir heridas graves.



Sólo para países de la Unión Europea
Debido a la presencia de componentes peligrosos en el equipo, el equipo eléctrico y electrónico desechado puede tener un impacto negativo para el medioambiente y la salud humana.

¡No tire los aparatos eléctricos y electrónicos junto con los residuos domésticos!
De conformidad con las Directivas Europeas sobre residuos de aparatos eléctricos y electrónicos, y su adaptación a la ley nacional, el equipo eléctrico y electrónico desechado deberá ser recogido por separado y trasladado a un punto distinto de recogida de desechos municipales, que cumpla con los reglamentos de protección medioambiental.

Esto se indica mediante el símbolo de cubo de basura tachado colocado en el equipo.

Uso previsto

La herramienta ha sido prevista para hacer cortes precisos rectos y de inglete en madera. Con los discos apropiados, también se puede serrar aluminio.

Alimentación

La herramienta deberá ser conectada solamente a una fuente de alimentación de la misma tensión que la indicada en la placa de características, y solamente puede ser utilizada con alimentación de CA monofásica. La herramienta tiene doble aislamiento y puede, por lo tanto, utilizarse también en tomas de corriente sin conductor de tierra.

Ruido

El nivel de ruido A-ponderado típico determinado de acuerdo con la norma EN62841-3-9:

Nivel de presión sonora (L_{pA}) : 89 dB (A)

Nivel de potencia sonora (L_{WA}) : 102 dB (A)

Error (K) : 3 dB (A)

NOTA: El valor (o los valores) de emisión de ruido declarado ha sido medido de acuerdo con un método de prueba estándar y se puede utilizar para comparar una herramienta con otra.

NOTA: El valor (o valores) de emisión de ruido declarado también se puede utilizar en una valoración preliminar de exposición.

⚠ ADVERTENCIA: Póngase protectores para oídos.

⚠ ADVERTENCIA: La emisión de ruido durante la utilización real de la herramienta eléctrica puede variar del valor (o los valores) de emisión declarado dependiendo de las formas en las que la herramienta sea utilizada, especialmente qué tipo de pieza de trabajo se procesa.

⚠ ADVERTENCIA: Asegúrese de identificar medidas de seguridad para proteger al operario que estén basadas en una estimación de la exposición en las condiciones reales de utilización (teniendo en cuenta todas las partes del ciclo operativo como las veces cuando la herramienta está apagada y cuando está funcionando en vacío además del tiempo de gatillo).

Declaración CE de conformidad

Para países europeos solamente

La declaración CE de conformidad está incluida como Anexo A de esta manual de instrucciones.

ADVERTENCIAS DE SEGURIDAD

Advertencias de seguridad para herramientas eléctricas en general

⚠ ADVERTENCIA: Lea todas las advertencias de seguridad, instrucciones, ilustraciones y especificaciones provistas con esta herramienta eléctrica. Si no sigue todas las instrucciones indicadas abajo podrá resultar en una descarga eléctrica, un incendio y/o heridas graves.

Guarde todas las advertencias e instrucciones para futuras referencias.

El término "herramienta eléctrica" en las advertencias se refiere a su herramienta eléctrica de funcionamiento con conexión a la red eléctrica (con cable) o herramienta eléctrica de funcionamiento a batería (sin cable).

Instrucciones de seguridad para las sierras de inglete

1. **Las sierras de inglete han sido previstas para cortar madera o productos semejantes a la madera, no han sido previstas para ser utilizadas con muelas de corte abrasivas para cortar materiales ferrosos tales como barras, vástagos, espárragos roscados, etc.** El polvo abrasivo ocasiona que las partes móviles tal como el protector inferior se atasquen. Las chispas del corte abrasivo quemarán el protector inferior, la inserción de hendidura y otras partes de plástico.
 2. **Utilice abrazaderas para sostener la pieza de trabajo siempre que sea posible. Si sostiene la pieza de trabajo con la mano, deberá mantener la mano siempre a al menos 100 mm de cualquiera de los lados del disco. No utilice esta sierra para cortar piezas que sean demasiado pequeñas para ser fijadas firmemente o sujetadas con la mano.** Si pone la mano demasiado cerca del disco, aumentará el riesgo de heridas producidas por el contacto con el disco.
 3. **La pieza de trabajo debe estar inmóvil y fijada o sujeta contra la guía y la mesa. No avance la pieza de trabajo hacia el disco o corte "a pulso" de ninguna forma.** Las piezas de trabajo sin sujetar o moviéndose pueden ser lanzadas a grandes velocidades, causando heridas.
 4. **No cruce nunca la mano sobre la línea de corte prevista ya sea por delante o por detrás del disco.** El sostener la pieza de trabajo con la "mano cruzada", por ejemplo, sujetando la pieza de trabajo por la derecha del disco con la mano izquierda o viceversa es muy peligroso.
- Fig.1
5. **No extienda ninguna de las manos por detrás de la guía hasta más cerca de 100 mm de cualquiera de los lados del disco, para retirar restos de madera, o por cualquier otra razón mientras el disco está girando.** La proximidad a su mano del disco girando puede no ser obvia y usted se puede herir gravemente.
 6. **Inspeccione su pieza de trabajo antes de cortar. Si la pieza de trabajo está curvada o combada, fíjela con la cara curvada exterior hacia la guía. Asegúrese siempre de que no hay holgura entre la pieza de trabajo, la guía y la mesa a lo largo de la línea del corte.** Las piezas de trabajo curvadas o combadas se pueden retorcer o cambiar de posición y pueden ocasionar que el disco girando se trabe mientras corta. No debe haber clavos u objetos extraños en la pieza de trabajo.
 7. **No utilice la sierra hasta que la mesa esté despejada de todas las herramientas, restos de madera, etc., excepto la pieza de trabajo.** Los restos pequeños o trozos de madera sueltos u otros objetos que entren en contacto con el disco mientras está girando pueden salir lanzados a gran velocidad.
 8. **Corte solamente una pieza de trabajo al mismo tiempo.** Múltiples piezas de trabajo apiladas no se pueden fijar o sujetar debidamente y se pueden trabar en el disco o cambiar de posición durante el corte.

9. **Asegúrese de que la sierra de inglete está montada o colocada sobre una superficie de trabajo nivelada y firme antes de utilizar.** Una superficie de trabajo nivelada y firme reduce el riesgo de que la sierra de inglete se vuelva inestable.
 10. **Planee su trabajo. Cada vez que cambie el ajuste del ángulo de bisel o inglete, asegúrese de que la guía ajustable esté ajustada correctamente para sostener la pieza de trabajo y que no va a interferir con el disco o el sistema de protección.** Sin "ENCENDER" la herramienta y sin pieza de trabajo encima de la mesa, mueva el disco a través de un corte simulado completo para asegurarse de que no va a haber interferencia o peligro de cortar la guía.
 11. **Proporcione un apoyo adecuado tales como extensiones de mesa, caballetes, etc., para una pieza de trabajo que sea más ancha o larga que la parte superior de la mesa.** Las piezas de trabajo más largas o anchas que la mesa de la sierra de inglete se pueden ladear si no se apoyan firmemente. Si la pieza cortada o la pieza de trabajo se ladea, podrá levantar el protector inferior o ser lanzada por el disco que está girando.
 12. **No utilice a otra persona como sustitución de una mesa de extensión o como apoyo adicional.** Un apoyo inestable de la pieza de trabajo puede ocasionar que el disco se trabe o que la pieza de trabajo cambie de posición durante la operación de corte arrastrando a usted y al ayudante hacia el disco que está girando.
 13. **La pieza cortada no deberá ser empujada o presionada de ningún modo contra el disco que está girando.** Si se confina, por ejemplo, utilizando topes de longitud, la pieza cortada puede incrustarse contra el disco y ser lanzada violentamente.
 14. **Asegúrese siempre de utilizar una abrazadera o accesorio designado para sostener debidamente material redondo tales como vástagos o tubos.** Los vástagos tienen tendencia a rodar mientras están siendo cortados, ocasionando que el disco "muerda" y tire de la pieza de trabajo junto con su mano hacia el disco.
 15. **Deje que el disco alcance plena velocidad antes de que haga contacto con la pieza de trabajo.** Esto reducirá el riesgo de que la pieza de trabajo sea lanzada.
 16. **Si la pieza de trabajo o el disco se atasca, apague la sierra de inglete. Espere hasta que todas las partes móviles se detengan y desconecte la clavija de la fuente de alimentación y/o retire la batería.** Después realice la tarea de liberar el material atascado. Si continúa serrando con una pieza de trabajo atascada podrá ocasionar la pérdida de control o daños a la sierra de inglete.
 17. **Después de terminar el corte, libere el interruptor, mantenga el cabezal de la sierra bajado y espere hasta que el disco se detenga antes de retirar la pieza cortada.** El alargar la mano hasta cerca del disco que está girando por inercia es peligroso.
 18. **Sujete la empuñadura firmemente cuando haga un corte incompleto o cuando libere el interruptor antes de que el cabezal de la sierra esté completamente en la posición bajada.** La acción de frenado de la sierra puede ocasionar que el cabezal de la sierra sea arrastrado repentinamente hacia abajo, ocasionando un riesgo de heridas.
 19. **Utilice solamente el disco de sierra con el diámetro que está marcado en la herramienta o especificado en el manual.** La utilización de un disco de tamaño incorrecto puede afectar a la protección apropiada del disco o a la operación del protector lo que puede resultar en heridas personales graves.
 20. **Utilice solamente discos que tengan marcada una velocidad igual o mayor que la velocidad marcada en la herramienta.**
 21. **No utilice la sierra para cortar otra cosa que no sea madera, aluminio y materiales similares.**
 22. **(Para países de Europa solamente) Utilice siempre el disco que cumpla con EN847-1.**
- Instrucciones adicionales**
1. **Haga el taller a prueba de niños utilizando candados.**
 2. **No se ponga nunca encima de la herramienta.** Si la herramienta se vuelca o si se hace contacto involuntario con el implemento de corte se podrán producir heridas graves.
 3. **No deje nunca la herramienta en marcha sin atender.** Desconecte la alimentación. No deje la herramienta hasta que se haya detenido completamente.
 4. **No utilice la sierra sin los protectores puestos.** Compruebe que el protector de disco se cierra debidamente antes de cada uso. No utilice la sierra si el protector de disco no se mueve libremente y se cierra instantáneamente. No sujete ni ate nunca el protector de disco en la posición abierta.
 5. **Mantenga las manos apartadas del recorrido del disco.** Evite el contacto con cualquier disco cuando esté girando por inercia. Incluso entonces puede causar heridas graves.
 6. **Sujete siempre todas las partes móviles antes de transportar la herramienta.**
 7. **El pasador de retención que bloquea el cabezal de corte en posición bajada es solamente para transportar y almacenar la herramienta y no para ninguna operación de corte.**
 8. **Compruebe el disco cuidadosamente por si tiene grietas o daños antes de comenzar la operación.** Reemplace el disco agrietado o dañado inmediatamente. La goma y resina de madera endurecida en los discos ralentiza la sierra y aumenta la posibilidad de que se produzca un retroceso brusco. Mantenga el disco limpio retirándolo primero de la herramienta, después límpielo con un eliminador de goma y resina, agua caliente o keroseno. No utilice nunca gasolina para limpiar el disco.
 9. **Utilice solamente las bridas especificadas para esta herramienta.**

10. Tenga cuidado de no dañar el eje, las bridas (en especial la superficie de instalación) o el perno. Los daños en estas piezas pueden resultar en rotura del disco.
11. Asegúrese de que la base giratoria está debidamente sujeta de forma que no se mueva durante la operación. Utilice los agujeros en la base para sujetar la sierra a una plataforma o banco de trabajo estable. No utilice NUNCA la herramienta donde la postura del operario no sea práctica.
12. Antes de activar el interruptor, asegúrese de que el bloqueo del eje está quitado.
13. Asegúrese de que el disco no toca la base giratoria cuando está en la posición más baja.
14. Sujete la empuñadura firmemente. Tenga presente que la sierra se mueve un poco hacia arriba y hacia abajo durante el inicio y la parada.
15. Asegúrese de que el disco no está tocando la pieza de trabajo antes de activar el interruptor.
16. Antes de utilizar la herramienta en la pieza de trabajo definitiva, déjela funcionar durante un rato. Observe para ver si se producen vibraciones o bamboleos que puedan indicar que el disco está mal instalado o mal equilibrado.
17. Detenga la operación inmediatamente si nota algo anormal.
18. No intente bloquear el gatillo en la posición "ACTIVADA".
19. Utilice siempre los accesorios recomendados en este manual. La utilización de accesorios incorrectos como muelas abrasivas puede ocasionar heridas.
20. Algunos materiales contienen sustancias químicas que pueden ser tóxicas. Tenga precaución para evitar la inhalación de polvo y el contacto con la piel. Siga los datos de seguridad del abastecedor del material.

Normas de seguridad adicionales para el láser

1. **RADIACIÓN LÁSER, NO QUEDARSE MIRANDO AL HAZ O MIRAR DIRECTAMENTE CON INSTRUMENTOS ÓPTICOS, PRODUCTO LÁSER CLASE 2M.**

GUARDE ESTAS INSTRUCCIONES.

⚠️ ADVERTENCIA: NO deje que la comodidad o familiaridad con el producto (a base de utilizarlo repetidamente) sustituya la estricta observancia de las normas de seguridad para el producto en cuestión. El MAL USO o el no seguir las normas de seguridad establecidas en este manual de instrucciones podrá ocasionar graves heridas personales.

INSTALACIÓN

Cuando la herramienta sale de fábrica, la empuñadura está bloqueada en la posición bajada con el pasador de retención. Afloje el perno con una llave provista con la herramienta y mueva el cabezal de la sierra al ángulo recto. Retire el perno y sujete el cabezal de la sierra con el pomo.

► Fig.2: 1. Llave

► Fig.3: 1. Pomo

Instalación de la placa auxiliar

Instale la placa auxiliar utilizando el agujero en la base de la herramienta y sujétela apretando el tornillo.

► Fig.4: 1. Placa auxiliar 2. Tornillo 3. Base

Montaje en un banco de trabajo

Cuando la herramienta sale de fábrica, la empuñadura está bloqueada en la posición bajada con el pasador de retención. Suelte el pasador de retención bajando ligeramente la empuñadura y tirando del pasador de retención.

► Fig.5: 1. Pasador de retención

Esta herramienta se deberá fijar con cuatro pernos en una superficie nivelada y estable utilizando los agujeros para pernos provistos en la base de la herramienta. Esto ayudará a evitar que se vuelque y pueda ocasionar heridas.

► Fig.6: 1. Perno

DESCRIPCIÓN DEL FUNCIONAMIENTO

⚠️ PRECAUCIÓN: Asegúrese siempre de que la herramienta está apagada y desenchufada antes de intentar realizar cualquier tipo de ajuste o comprobación en ella.

Protector de disco

► Fig.7: 1. Protector de disco

Al bajar la empuñadura, el protector de disco se sube automáticamente. El protector se acciona por resorte por lo que retorna a su posición original cuando se completa el corte y se sube la empuñadura. NO ANULE O RETIRE NUNCA EL PROTECTOR DE DISCO O EL RESORTE QUE HAY EN EL PROTECTOR.

En beneficio de su seguridad personal, mantenga el protector de disco siempre en buen estado. Cualquier operación irregular del protector de disco deberá ser corregida inmediatamente. Compruebe para asegurarse de que el protector retorna accionado por resorte. NO UTILICE NUNCA LA HERRAMIENTA SI EL PROTECTOR DE DISCO O EL RESORTE ESTÁ DAÑADO, DEFECTUOSO O HA SIDO RETIRADO. HACERLO ES MUY PELIGROSO Y PUEDE OCASIONAR HERIDAS PERSONALES GRAVES.

Si el protector de disco transparente se ensucia, o si se adhiere a él serrín de tal forma que no puede verse fácilmente el disco y/o la pieza de trabajo, desenchufe la sierra y limpie el protector con cuidado con un paño húmedo. No utilice disolventes ni ningún producto de limpieza a base de petróleo para limpiar el protector de plástico.

Si el protector de disco está especialmente sucio y la visión a través del protector se ve afectada, utilice la llave suministrada para aflojar el perno hexagonal que sujeta la cubierta central. Afloje el perno hexagonal girándolo hacia la izquierda y suba el protector de disco y la cubierta central. Con el protector de disco

en esta posición, la limpieza se puede hacer de forma más completa y eficiente. Cuando haya completado la limpieza, invierta el procedimiento de arriba y apriete el perno. No retire el resorte que sujeta el protector de disco. Si el protector se descolora con el paso del tiempo o por la exposición a los rayos ultravioleta, póngase en contacto con el centro de servicio Makita para adquirir un protector nuevo. NO ANULE NI RETIRE EL PROTECTOR.

► Fig.8: 1. Protector de disco

Placa de corte

Esta herramienta se provee con la placa de corte en la base giratoria para minimizar el desgarro en el lado de salida de un corte. Si la ranura para corte en la placa de corte no ha sido hecha en fábrica, usted deberá hacer la ranura antes de utilizar la herramienta para cortar una pieza de trabajo. Encienda la herramienta y baje el disco con cuidado para hacer una ranura en la placa de corte.

► Fig.9: 1. Placa de corte

Para mantener la máxima capacidad de corte

Esta herramienta se ajusta en fábrica para lograr su capacidad de corte máxima con un disco de 255 mm.

Cuando instale un disco nuevo, compruebe siempre la posición límite inferior del disco, y si es necesario, ajústela de la forma siguiente:

Primero, desenchufe la herramienta. Baje la empuñadura completamente. Gire el perno de ajuste utilizando la llave hasta que la periferia del disco esté ligeramente por debajo de la parte superior de la base giratoria en el punto donde la cara delantera de la guía lateral se encuentra con la parte superior de la base giratoria.

► Fig.10: 1. Perno de ajuste

Con la herramienta desenchufada, gire el disco con la mano mientras sujeta la empuñadura bajada completamente para asegurarse de que el disco no hace contacto con ninguna parte de la base inferior. Reajuste ligeramente, si es necesario.

► Fig.11: 1. Parte superior de la base giratoria
2. Periferia del disco 3. Guía lateral

⚠PRECAUCIÓN: Después de instalar un disco nuevo, asegúrese siempre de que el disco no hace contacto con ninguna parte de la base inferior cuando la empuñadura está bajada completamente. Haga esto siempre con la herramienta desenchufada.

Ajuste del ángulo de inglete

► Fig.12: 1. Palanca de bloqueo 2. Mango

Afloje el mango girándolo hacia la izquierda. Gire la base giratoria mientras presiona hacia abajo la palanca de bloqueo. Cuando haya movido el mango a la posición donde el puntero apunta al ángulo deseado en la escala de inglete, apriete firmemente el mango hacia la derecha.

⚠PRECAUCIÓN: Cuando vaya a girar la base giratoria, asegúrese de subir la empuñadura completamente.

⚠PRECAUCIÓN: Después de cambiar el ángulo de inglete, sujete siempre la base giratoria apretando el mango completamente.

Ajuste del ángulo de bisel

► Fig.13: 1. Pomo

Para ajustar el ángulo de bisel, afloje el pomo de la parte trasera de la herramienta hacia la izquierda.

► Fig.14: 1. Puntero

Empuje la empuñadura hacia la izquierda para inclinar el disco hasta que el puntero apunte al ángulo deseado en la escala de bisel. Después apriete el pomo hacia la derecha firmemente para sujetar el brazo.

⚠PRECAUCIÓN: Cuando vaya a inclinar el disco, asegúrese de subir la empuñadura completamente.

⚠PRECAUCIÓN: Después de cambiar el ángulo de bisel, sujete siempre el brazo apretando la palanca hacia la derecha.

Accionamiento del interruptor

⚠ADVERTENCIA: Antes de enchufar la herramienta, compruebe siempre para cerciorarse de que el gatillo interruptor se acciona debidamente y que vuelve a la posición “apagada” cuando lo suelta. La utilización de una herramienta con un interruptor que no se acciona debidamente puede resultar en la pérdida de control y heridas personales graves.

⚠ADVERTENCIA: No utilice NUNCA la herramienta si el gatillo interruptor no funciona perfectamente bien. Cualquier herramienta con un interruptor que no funciona bien es MUY PELIGROSA y deberá ser reparada antes de seguir utilizándola o podrán producirse heridas personales graves.

► Fig.15: 1. Gatillo interruptor 2. Botón de desbloqueo

Para evitar que el gatillo interruptor pueda accionarse accidentalmente, se ha provisto un botón de desbloqueo. Para poner en marcha la herramienta, presione hacia dentro el botón de desbloqueo y apriete el gatillo interruptor. Suelte el gatillo interruptor para parar.

MONTAJE

⚠PRECAUCIÓN: Asegúrese siempre de que la herramienta está apagada y desenchufada antes de realizar cualquier trabajo en la herramienta.

Instalación o desmontaje del disco

⚠ PRECAUCIÓN: Asegúrese siempre de que la herramienta está apagada y desenchufada antes de instalar o retirar el disco.

⚠ PRECAUCIÓN: Utilice solamente la llave Makita provista para instalar o retirar el disco. De lo contrario podrá resultar en un apriete excesivo o insuficiente del perno hexagonal. Esto podría ocasionarle heridas.

Cuando vaya a retirar o instalar el disco, mantenga la empuñadura en la posición subida.

Para retirar el disco, utilice la llave para aflojar el perno hexagonal que sujeta la cubierta central girándolo hacia la izquierda. Suba el protector de disco y la cubierta central.

► **Fig.16:** 1. Llave 2. Cubierta central

► **Fig.17:** 1. Perno hexagonal

Presione el bloqueo del eje para bloquear el eje y utilice la llave para aflojar el perno hexagonal hacia la derecha. Después retire el perno hexagonal, la brida exterior y el disco.

► **Fig.18:** 1. Perno hexagonal 2. Llave

Para instalar el disco, móntelo con cuidado en el eje, asegurándose de que la dirección de la flecha en la superficie del disco coincide con la dirección de la flecha en la caja del disco.

► **Fig.19:** 1. Caja del disco 2. Flecha 3. Flecha 4. Disco

Instale la brida exterior y perno hexagonal, y después utilice la llave para apretar perno hexagonal (rosca hacia la izquierda) firmemente hacia la izquierda mientras presiona el bloqueo del eje.

► **Fig.20:** 1. Eje 2. Brida 3. Disco 4. Brida 5. Perno hexagonal 6. Anillo

⚠ PRECAUCIÓN: El anillo de 25,4 mm o 30 mm de diámetro exterior se instala en fábrica en el eje. Antes de montar el disco en el eje, asegúrese siempre de que el anillo correcto para el agujero de eje del disco que piensa utilizar está instalado en el eje.

Devuelva el protector de disco y la cubierta central a sus posiciones originales. Después apriete el perno hexagonal hacia la derecha para sujetar la cubierta central. Baje la empuñadura para asegurarse de que el protector de disco se mueve debidamente. Asegúrese de que el bloqueo del eje ha liberado el eje antes de hacer el corte.

Guía secundaria

Específico para cada país

⚠ ADVERTENCIA: Cuando vaya a realizar cortes en bisel izquierdo, coloque la guía secundaria hacia afuera. De lo contrario, podrá entrar en contacto con el disco o con una parte de la herramienta, y resultar en heridas graves al operario.

► **Fig.21:** 1. Guía secundaria

Esta herramienta está equipada con una guía secundaria. Por lo general, coloque la guía secundaria dentro. Sin embargo, cuando vaya a realizar cortes en bisel izquierdo, colóquela hacia afuera.

Conexión de un aspirador

Cuando quiera realizar una operación de corte limpia, conecte un aspirador Makita.

► **Fig.22**

Bolsa de polvo

► **Fig.23:** 1. Bolsa de polvo

► **Fig.24:** 1. Cierre

La utilización de la bolsa de polvo permite realizar operaciones de corte limpias y recoger fácilmente el polvo. Para colocar la bolsa de polvo, encájela en la boquilla de polvo.

Cuando la bolsa de polvo esté medio llena, retírela de la herramienta y abra el cierre. Vacíe la bolsa de polvo golpeándola ligeramente con objeto de retirar las partículas adheridas en el interior para que no impidan la posterior recogida de polvo.

Sujeción de la pieza de trabajo

⚠ ADVERTENCIA: Es muy importante sujetar siempre la pieza de trabajo debida y firmemente con la mordaza. En caso contrario podrá ocasionar que la herramienta se dañe y/o la pieza de trabajo se destrozase. TAMBIÉN PODRÁ RESULTAR EN HERIDAS PERSONALES. Además, después de una operación de corte, NO suba el disco hasta que se haya parado completamente.

⚠ PRECAUCIÓN: Cuando corte piezas de trabajo largas, utilice apoyos que sean tan altos como el nivel de la parte superior de la base giratoria. No dependa únicamente de la mordaza vertical y/o mordaza horizontal para sujetar la pieza de trabajo. El material fino tiende a combarse. Apoye la pieza de trabajo en toda su longitud para evitar que el disco se atranque y que posiblemente se produzca un RETROCESO BRUSCO.

► **Fig.25:** 1. Apoyo 2. Base giratoria

Mordaza vertical

► **Fig.26:** 1. Pomo de la mordaza 2. Tornillo 3. Brazo de la mordaza 4. Barra de la mordaza

La mordaza vertical se puede instalar en dos posiciones tanto en el lado izquierdo como el derecho de la guía lateral. Inserte la barra de la mordaza en el agujero de la guía lateral y apriete el tornillo para sujetar la barra de la mordaza.

Posicione el brazo de la mordaza de acuerdo con el grosor y forma de la pieza de trabajo y sujete el brazo de la mordaza apretando el tornillo. Asegúrese de que ninguna parte de la herramienta hace contacto con la mordaza cuando baje la empuñadura completamente. Si alguna parte toca la mordaza, reposicione la mordaza.

Presione la pieza de trabajo a ras contra la guía lateral y la base giratoria. Ponga la pieza de trabajo en la posición de corte deseada y sujétela firmemente apretando el pomo de la mordaza.

⚠PRECAUCIÓN: La pieza de trabajo deberá estar sujeta firmemente contra la base giratoria y la guía lateral con la mordaza durante todas las operaciones.

OPERACIÓN

⚠PRECAUCIÓN: Antes de utilizar, asegúrese de liberar la empuñadura de la posición bajada tirando del pasador de retención.

⚠PRECAUCIÓN: Asegúrese de que el disco no está haciendo contacto con la pieza de trabajo, etc., antes de activar el interruptor.

⚠PRECAUCIÓN: No ejerza presión excesiva en la empuñadura cuando corte. Una fuerza excesiva podrá resultar en una sobrecarga del motor y/o reducir la eficacia de corte. Presione hacia abajo la empuñadura con la fuerza únicamente necesaria para cortar suavemente y sin reducir significativamente la velocidad del disco.

⚠PRECAUCIÓN: Presione hacia abajo suavemente la empuñadura para realizar el corte. Si presiona la empuñadura hacia abajo con fuerza o si ejerce fuerza lateral, el disco podrá vibrar y dejar una marca (marca de sierra) en la pieza de trabajo y puede que la precisión del corte se vea afectada.

⚠PRECAUCIÓN: No libere el cabezal de la sierra de forma incontrolada desde la posición totalmente bajada. Sin control, el cabezal de la sierra podrá golpearle y resultará en heridas personales.

Corte por presión

► Fig.27: 1. Mordaza vertical

Sujete la pieza de trabajo con la mordaza. Encienda la herramienta sin que el disco esté tocando nada y espere hasta que el disco alcance plena velocidad antes de bajarlo. Después baje con cuidado la empuñadura hasta la posición completamente bajada para cortar la pieza de trabajo. Cuando haya completado el corte, apague la herramienta y ESPERE HASTA QUE EL DISCO SE HAYA PARADO COMPLETAMENTE antes de devolver el disco a su posición completamente elevada.

Corte en inglete

Consulte la sección para el ajuste del ángulo de inglete.

Corte en bisel

► Fig.28

Afije el pomo e incline el disco para ajustar el ángulo de bisel (Consulte la sección "Ajuste del ángulo de bisel" explicada más atrás). Asegúrese de volver a apretar el pomo firmemente para sujetar de forma segura el ángulo de bisel seleccionado. Sujete la pieza de trabajo con una mordaza. Encienda la herramienta sin que el disco esté tocando nada y espere hasta que el disco alcance plena velocidad. Después baje con cuidado la empuñadura hasta la posición completamente

bajada mientras aplica presión en dirección paralela al disco. Cuando haya completado el corte, apague la herramienta y ESPERE HASTA QUE EL DISCO SE HAYA PARADO COMPLETAMENTE antes de devolver el disco a su posición completamente elevada.

⚠PRECAUCIÓN: Asegúrese siempre de que el disco se moverá hacia abajo en dirección del bisel durante un corte en bisel. Mantenga las manos apartadas del recorrido del disco.

⚠PRECAUCIÓN: Durante un corte en bisel, podrá crearse una condición en la que la pieza cortada quede apoyada contra el lateral del disco. Si se sube el disco mientras todavía está girando, el disco podrá atrapar esta pieza, ocasionando la dispersión de fragmentos, lo cual puede ser peligroso. El disco deberá ser subido SOLAMENTE después de que se haya parado completamente.

⚠PRECAUCIÓN: Cuando presione hacia abajo la empuñadura, aplique fuerza paralela al disco. Si la presión no es paralela al disco durante un corte, el ángulo del disco podrá cambiar y la precisión del corte se verá afectada.

⚠PRECAUCIÓN: (Solamente para herramientas con guía secundaria) Ponga siempre la guía secundaria afuera cuando realice cortes en bisel izquierdo.

Corte compuesto

El corte compuesto es el procedimiento en el que se hace un ángulo de bisel al mismo tiempo que se corta un ángulo de inglete en una pieza de trabajo. El corte compuesto se puede realizar a los ángulos mostrados en la tabla.

Ángulo de bisel	Ángulo de inglete
45°	Izquierdo y Derecho 0° - 45°

Cuando quiera realizar un corte mixto, consulte las explicaciones de "Corte por presión", "Corte en inglete" y "Corte en bisel".

Corte de molduras corona y cóncavas

Las molduras corona y cóncavas pueden cortarse en una sierra de inglete mixta con las molduras apoyadas horizontalmente en la base giratoria.

Existen dos tipos comunes de molduras corona y un tipo de moldura cóncava; moldura corona de ángulo mural de 52/38°, moldura corona de ángulo mural de 45° y moldura cóncava de ángulo mural de 45°.

► Fig.29: 1. Moldura corona tipo 52/38° 2. Moldura corona tipo 45° 3. Moldura cóncava tipo 45°

Existen juntas de moldura corona y cóncava que han sido hechas para encajar en esquinas "interiores" de 90° ((a) y (b) en la figura) y esquinas "exteriores" de 90° ((c) y (d) en la figura).

► Fig.30: 1. Esquina interior 2. Esquina exterior

► Fig.31: 1. Esquina interior 2. Esquina exterior

Medición

Mida la anchura de la pared, y ajuste la anchura de la pieza de trabajo de acuerdo con esto. Asegúrese siempre de que la anchura del borde de contacto con la pared de la pieza de trabajo es la misma que la longitud de la pared.

► **Fig.32:** 1. Pieza de trabajo 2. Anchura de la pared 3. Anchura de la pieza de trabajo 4. Borde de contacto con la pared

Utilice siempre varias piezas para realizar cortes de prueba a fin de comprobar los ángulos de la sierra. Cuando vaya a cortar molduras corona y cóncavas, ajuste el ángulo de bisel y el ángulo de inglete como se indica en la tabla (A) y posicione las molduras sobre la superficie superior de la base de la sierra como se indica en la tabla (B).

En el caso de corte en bisel izquierdo

► **Fig.33:** 1. Esquina interior 2. Esquina exterior

Tabla (A)

-	Posición de la moldura en la figura	Ángulo de bisel		Ángulo de inglete	
		Tipo 52/38°	Tipo 45°	Tipo 52/38°	Tipo 45°
Para esquina interior	(a)	Izquierdo 33,9°	Izquierdo 30°	Derecho 31,6°	Derecho 35,3°
	(b)			Izquierdo 31,6°	Izquierdo 35,3°
Para esquina exterior	(c)			Derecho 31,6°	Derecho 35,3°
	(d)				

Tabla (B)

-	Posición de la moldura en la figura	Borde de moldura contra la guía lateral	Pieza acabada
Para esquina interior	(a)	El borde de contacto con el techo debe estar contra la guía lateral.	La pieza acabada estará en el lado izquierdo del disco.
	(b)	El borde de contacto con la pared debe estar contra la guía lateral.	
Para esquina exterior	(c)	El borde de contacto con el techo debe estar contra la guía lateral.	La pieza acabada estará en el lado derecho del disco.
	(d)	El borde de contacto con la pared debe estar contra la guía lateral.	

Ejemplo:

En el caso de corte de moldura corona tipo 52/38° para posición (a) en la figura de arriba:

- Incline y sujete el ajuste de ángulo de bisel para 33,9° IZQUIERDO.
- Ajuste y sujete el ajuste de ángulo de inglete para 31,6° DERECHO.
- Apoye la moldura corona con su superficie posterior vasta (oculta) hacia abajo sobre la base giratoria con su BORDE DE CONTACTO CON EL TECHO contra la guía lateral en la sierra.
- La pieza acabada a utilizar estará siempre en el lado IZQUIERDO del disco después de haber realizado el corte.

Corte de extrusión de aluminio

► **Fig.34:** 1. Mordaza 2. Bloque espaciador 3. Guía lateral 4. Extrusión de aluminio 5. Bloque espaciador

Cuando sujete extrusiones de aluminio, utilice bloques espaciadores o piezas de desecho como se muestra en la figura para evitar la deformación del aluminio. Utilice un lubricante para cortar cuando corte extrusión de aluminio para evitar la acumulación de material de aluminio en el disco.

PRECAUCIÓN: No intente nunca cortar extrusiones de aluminio gruesas o redondas. Las extrusiones de aluminio gruesas pueden aflojarse durante la operación y las extrusiones de aluminio redondas no se pueden sujetar firmemente con esta herramienta.

Guarnición de madera

ADVERTENCIA: Utilice tornillos para colocar la guarnición de madera en la guía lateral. Los tornillos deberán ser instalados de forma que sus cabezas queden por debajo de la superficie de la guarnición de madera para que no interfieran con el posicionamiento del material que se va a cortar. Una desalineación del material que está siendo cortado puede ocasionar un movimiento inesperado durante la operación de corte y resultar en una pérdida de control y heridas personales graves.

PRECAUCIÓN: Utilice madera recta de grosor uniforme para la guarnición de madera.

La utilización de la guarnición de madera ayuda a conseguir cortes sin astillar la pieza de trabajo. Coloque la guarnición de madera en la guía lateral utilizando los agujeros de la guía lateral.

Consulte la figura referente a las dimensiones para elegir una guarnición de madera sugerida.

► **Fig.35:** 1. Agujeros

AVISO: Cuando esté puesta la guarnición de madera, no gire la base giratoria con la empuñadura bajada. El disco y/o la guarnición de madera se dañarán.

NOTA: La anchura de corte máxima será más pequeña debido a la anchura de la guarnición de madera.

Corte de longitudes repetitivas

Cuando vaya a cortar varias piezas de madera a la misma longitud, de entre 240 mm a 380 mm, utilice la placa de presión (accesorio opcional). Instale la placa de presión en el soporte (accesorio opcional) como se muestra en la figura.

► **Fig.36:** 1. Placa de presión 2. Soporte 3. Tornillo

Alinee la línea de corte de su pieza de trabajo con el lado izquierdo o derecho de la ranura en la placa de corte, y mientras sujeta la pieza de trabajo, mueva la placa de presión hasta ponerla a ras contra el extremo de la pieza de trabajo. Después sujete la placa de presión con el tornillo.

Cuando no utilice la placa de presión, afloje el tornillo y gire la placa de presión para que no estorbe.

NOTA: La utilización del conjunto de barra de soporte (accesorio opcional) permite cortar longitudes repetitivas de hasta 2.200 mm aproximadamente.

Transporte de la herramienta

► **Fig.37:** 1. Pasador de retención

Asegúrese de que la herramienta está desenchufada. Sujete el disco al ángulo de bisel de 0° y la base giratoria al ángulo de inglete izquierdo completamente. Baje la empuñadura completamente y bloquéela en la posición bajada presionando hacia dentro el pasador de retención.

Transporte la herramienta cogiéndola por el mango de transporte como se muestra en la figura. Si retira los soportes, la bolsa de polvo, etc., podrá transportar la herramienta más fácilmente.

► **Fig.38**

⚠PRECAUCIÓN: Sujete siempre todas las partes móviles antes de transportar la herramienta.

⚠PRECAUCIÓN: El pasador de retención es solamente para transportar y almacenar la herramienta y no para ninguna operación de corte.

MANTENIMIENTO

⚠ADVERTENCIA: Asegúrese siempre de que el disco está afilado y limpio para obtener el mejor y más seguro rendimiento. El tratar de hacer un corte con un disco embotado y/o sucio puede ocasionar un retroceso brusco y resultar en heridas personales graves.

⚠PRECAUCIÓN: Asegúrese siempre de que la herramienta está apagada y desenchufada antes de intentar realizar la inspección o el mantenimiento.

AVISO: No utilice nunca gasolina, bencina, disolvente, alcohol o similares. Podría producir descoloración, deformación o grietas.

Ajuste del ángulo de corte

Esta herramienta ha sido ajustada y alineada cuidadosamente en fábrica, pero un manejo brusco podrá haber afectado la alineación. Si su herramienta no está debidamente alineada, realice lo siguiente:

Ángulo de inglete

► **Fig.39:** 1. Perno hexagonal

Afloje el mango que sujeta la base giratoria. Gire la base giratoria de forma que el puntero apunte a 0° en la escala de inglete. Apriete el mango y afloje los pernos hexagonales que sujetan la guía lateral utilizando el llave. Si el puntero no apunta a 0° en la escala de inglete, afloje el tornillo que sujeta el puntero y mueva y sujete la placa del puntero de forma que el puntero apunte a 0° en la escala de inglete. Baje la empuñadura completamente y bloquéela en la posición bajada presionando hacia dentro el pasador de retención. Escudre el lateral del disco con la cara de la guía lateral utilizando una escuadra, cartabón, etc. Después apriete firmemente los pernos hexagonales de la guía lateral en orden desde el lado derecho.

► **Fig.40:** 1. Escuadra

Ángulo de bisel

Ángulo de bisel de 0°

► **Fig.41:** 1. Perno de ajuste del ángulo de bisel a 0°

Baje la empuñadura completamente y bloquéela en la posición bajada presionando hacia dentro el pasador de retención.

Afloje el pomo de la parte trasera de la herramienta.

Afloje la tuerca hexagonal y gire el perno de ajuste del ángulo de bisel a 0° del lado derecho de la base giratoria dos o tres vueltas hacia la derecha para inclinar el disco hacia la derecha.

Escudre con cuidado el lateral del disco con la parte superior de la base giratoria utilizando la escuadra, cartabón, etc., girando el perno de ajuste del ángulo de bisel a 0° hacia la izquierda. Después apriete la tuerca hexagonal para sujetar el perno de ajuste del ángulo de bisel a 0° y apriete el pomo firmemente.

Asegúrese de que el puntero del brazo apunta a 0° en la escala de bisel. Si el puntero no apunta a 0° en la escala de bisel, afloje el tornillo que sujeta el puntero y mueva y sujete la placa del puntero de forma que el puntero apunte a 0° en la escala de bisel.

► **Fig.42:** 1. Escuadra 2. Disco 3. Parte superior de la base giratoria

► **Fig.43:** 1. Puntero

Ángulo de bisel de 45°

► **Fig.44:** 1. Perno de ajuste del ángulo de bisel a 45° 2. Puntero

Ajuste el ángulo de bisel de 45° solamente después de haber realizado el ajuste del ángulo de bisel de 0°.

Para ajustar el ángulo de bisel de 45° izquierdo, afloje el pomo e incline el disco completamente hacia la izquierda.

Asegúrese de que el puntero del brazo apunta a 45° en la escala de bisel del brazo.

Si el puntero no apunta a 45°, gire el perno de ajuste del ángulo de bisel a 45° del lado izquierdo del brazo hasta que el puntero apunte a 45°.

Reemplazo de las escobillas de carbón

► Fig.45

Extraiga y compruebe las escobillas de carbón regularmente. Reemplácelas cuando se hayan gastado hasta 3 mm de longitud. Mantenga las escobillas de carbón limpias y de forma que entren libremente en los portaescobillas. Ambas escobillas de carbón deberán ser reemplazadas al mismo tiempo. Utilice únicamente escobillas de carbón idénticas.

Utilice un destornillador para quitar los tapones portaescobillas. Extraiga las escobillas desgastadas, inserte las nuevas y vuelva a colocar los tapones portaescobillas.

► **Fig.46:** 1. Tapón portaescobillas 2. Destornillador

Después de la utilización

Después de la utilización, limpie las virutas y el polvo adheridos a la herramienta con un paño o similar. Mantenga el protector de disco limpio de acuerdo con las indicaciones de la sección ya vista titulada "Protector de disco". Lubrique las partes deslizables con aceite para máquinas para evitar que se oxiden.

Para mantener la SEGURIDAD y FIABILIDAD del producto, las reparaciones, y cualquier otra tarea de mantenimiento o ajuste deberán ser realizadas en centros de servicio o de fábrica autorizados por Makita, empleando siempre repuestos Makita.

ACCESORIOS OPCIONALES

⚠ PRECAUCIÓN: Estos accesorios o aditamentos están recomendados para su uso con la herramienta Makita especificada en este manual.

El uso de cualquier otro accesorio o aditamento puede suponer un riesgo de heridas personales.

Utilice el accesorio o aditamento solamente con la finalidad indicada para el mismo.

Si necesita cualquier ayuda para más detalles en relación con estos accesorios, pregunte al centro de servicio Makita local.

- Discos de acero y de dientes de carburo (Consulte nuestro sitio web o póngase en contacto con el distribuidor Makita local para ver los discos de sierra correctos que hay que utilizar para el material que se va a cortar).

NOTA: Algunos elementos de la lista podrán estar incluidos en el paquete de la herramienta como accesorios estándar. Pueden variar de un país a otro.

ESPECIFICAÇÕES

Modelo:		M2300
Diâmetro da lâmina		255 mm
Diâmetro do orifício	Para todos os países além dos países europeus	25,4 mm ou 30 mm (específico para o país)
	Para países europeus	30 mm
Espessura máx. de corte da lâmina de serra		3,2 mm
Velocidade sem carga		4.200 min ⁻¹
Dimensões (C x L x A)		610 mm x 485 mm x 515 mm
Peso líquido		13,8 kg
Classe de segurança		▣/II

- Devido a um programa contínuo de pesquisa e desenvolvimento, estas especificações podem ser alteradas sem aviso prévio.
- As especificações podem variar de país para país.
- Peso de acordo com o Procedimento EPTA 01/2014

Capacidades de corte (A x L) com lâmina de 255 mm de diâmetro

Ângulo de bisel	Ângulo de esquadria	
	0°	45° (esquerdo e direito)
0°	75 mm x 130 mm	75 mm x 90 mm
45° (esquerdo)	48 mm x 120 mm	48 mm x 90 mm

Símbolos

A seguir são apresentados os símbolos que podem ser utilizados para o equipamento. Certifique-se de que compreende o seu significado antes da utilização.



Leia o manual de instruções.



ISOLAMENTO DUPLO



Para evitar ferimentos provocados por resíduos soltos, mantenha a cabeça da serra virada para baixo, depois de realizar cortes, até a lâmina ficar completamente parada.



Não coloque a mão ou os dedos perto da lâmina.



Defina sempre a SUB-GUIA para a posição esquerda quando realizar cortes de bisel para a esquerda. O não cumprimento desta indicação pode provocar ferimentos graves no operador.



Apenas para países da UE
Devido à presença de componentes perigosos no equipamento, o equipamento elétrico e eletrônico usado pode ter um impacto negativo no meio ambiente e na saúde humana.

Não elimine aparelhos elétricos e eletrônicos juntamente com resíduos domésticos! De acordo com a Diretiva europeia relativa aos resíduos de equipamentos elétricos e eletrônicos e a respetiva adaptação à legislação nacional, os equipamentos elétricos e eletrônicos usados devem ser recolhidos separadamente e entregues num ponto de recolha separado para resíduos municipais, que opere de acordo com os regulamentos de proteção ambiental. Tal é indicado pelo símbolo de contentor de lixo com rodas barrado com uma cruz colocado no equipamento.

Utilização a que se destina

Esta ferramenta destina-se a realizar cortes de precisão, retos e de meia esquadria, em madeira. Com lâminas de serra apropriadas, também é possível serrar alumínio.

Alimentação

A ferramenta só deve ser ligada a uma fonte de alimentação com a mesma tensão da indicada na placa de características, e só funciona com alimentação de corrente alterna (CA) monofásica. Tem um sistema de isolamento duplo e pode, por isso, utilizar tomadas sem ligação à terra.

Ruído

A característica do nível de ruído A determinado de acordo com a EN62841-3-9:

Nível de pressão acústica (L_{pA}): 89 dB (A)

Nível de potência acústica (L_{WA}): 102 dB (A)

Variabilidade (K): 3 dB (A)

NOTA: O(s) valor(es) da emissão de ruído indicado(s) foi medido de acordo com um método de teste padrão e pode ser utilizado para comparar duas ferramentas.

NOTA: O(s) valor(es) da emissão de ruído indicado(s) pode também ser utilizado na avaliação preliminar da exposição.

⚠️ AVISO: Utilize protetores auriculares.

⚠️ AVISO: A emissão de ruído durante a utilização real da ferramenta elétrica pode diferir do(s) valor(es) indicado(s), dependendo das formas como a ferramenta é utilizada, especialmente o tipo de peça de trabalho que é processada.

⚠️ AVISO: Certifique-se de identificar as medidas de segurança para proteção do operador que sejam baseadas em uma estimativa de exposição em condições reais de utilização (considerando todas as partes do ciclo de operação, tal como quando a ferramenta está desligada e quando está a funcionar em marcha lenta além do tempo de acionamento).

Declaração de conformidade da CE

Apenas para os países europeus

A declaração de conformidade da CE está incluída como Anexo A neste manual de instruções.

AVISOS DE SEGURANÇA

Avisos gerais de segurança para ferramentas elétricas

⚠️ AVISO: Leia todos os avisos de segurança, instruções, ilustrações e especificações fornecidos com esta ferramenta elétrica. O não cumprimento de todas as instruções indicadas em baixo pode resultar em choque elétrico, incêndio e/ou ferimentos graves.

Guarde todos os avisos e instruções para futuras referências.

O termo "ferramenta elétrica" nos avisos refere-se às ferramentas elétricas ligadas à corrente elétrica (com cabo) ou às ferramentas elétricas operadas por meio de bateria (sem cabo).

Instruções de segurança para serras de esquadria

- As serras de esquadria destinam-se a cortar madeira ou produtos semelhantes a madeira, não podem ser utilizadas com rodas de corte abrasivas para cortar material ferroso, tal como barras, varões, pinos, etc.** A poeira abrasiva provoca o encravamento de peças móveis, tais como o resguardo inferior. As faíscas do corte abrasivo queimam o resguardo inferior, a inserção de corte e outras peças de plástico.
- Utilize braçadeiras para apoiar a peça de trabalho sempre que possível. Se apoiar a peça de trabalho manualmente, deve manter sempre as mãos afastadas pelo menos 100 mm de cada lado da lâmina de serra. Não utilize esta serra para cortar peças demasiado pequenas para serem apertadas ou seguras à mão.** Se a sua mão estiver colocada demasiado próxima da lâmina de serra, existe um maior risco de lesão devido ao contacto com a lâmina.
- A peça de trabalho deve estar fixa e apertada ou segura contra a placa e a mesa. Não alimente a peça de trabalho na lâmina nem corte "com as mãos livres" em qualquer direção.** As peças sem fixação ou móveis podem ser projetadas a altas velocidades, causando ferimentos.
- Nunca cruze a sua mão sobre a linha de corte pretendida, tanto à frente como atrás da lâmina de serra.** Apoiar a peça de trabalho "com as mãos cruzadas", isto é, segurando a peça de trabalho do lado direito da lâmina de serra com a mão esquerda ou vice versa é muito perigoso.
► Fig.1
- Não tente chegar mais próximo do que 100 mm por trás da placa com as duas mãos a partir dos dois lados da lâmina de serra para remover restos de madeira ou por qualquer outro motivo enquanto a lâmina estiver a rodar.** A proximidade da lâmina de serra em rotação em relação à sua mão poderá não ser óbvia e poderá sofrer lesões graves.
- Inspeccione a sua peça de trabalho antes de realizar o corte. Se a peça de trabalho for encurvada ou deformada, aperte-a com a face encurvada exterior virada para a placa. Certifique-se sempre de que não existe nenhuma lacuna entre a peça de trabalho, a placa e a mesa ao longo da linha de corte.** As peças de trabalho encurvadas ou deformadas podem torcer ou deslocar-se e causar emperramento na lâmina de serra em rotação durante o corte. A peça de trabalho não deve ter pregos ou objetos estranhos.
- Não utilize a serra até que a mesa esteja desimpedida de todas as ferramentas, restos de madeira, etc., exceto da peça de trabalho.** Os pequenos resíduos ou pedaços soltos de madeira ou outros objetos que estabeleçam contacto com a lâmina em rotação podem ser projetados a alta velocidade.
- Corte apenas uma peça de trabalho de cada vez.** As peças de trabalho múltiplas empilhadas não podem ser apertadas ou fixadas adequadamente e podem prender na lâmina ou deslocar-se durante o corte.

9. **Assegure que a serra de esquadria está montada ou colocada numa superfície de trabalho nivelada e firme antes de ser utilizada.** Uma superfície de trabalho nivelada e firme reduz o risco de a serra de esquadria se tornar instável.
 10. **Planeie o seu trabalho. Cada vez que altera a definição do ângulo de bisel e do ângulo de esquadria, certifique-se de que a placa ajustável está corretamente definida para apoiar a peça de trabalho e que não interfere com a lâmina ou o sistema de resguardo.** Sem “LIGAR” a ferramenta e sem qualquer peça de trabalho na mesa, mova a lâmina de serra através de um corte simulado completo, de modo a assegurar que não haverá interferência ou perigo de corte da placa.
 11. **Assegure um apoio adequado, tal como extensões da mesa, cavaletes, etc. para uma peça de trabalho que é mais ampla ou mais comprida do que o topo da mesa.** As peças de trabalho mais compridas ou mais amplas do que a mesa da serra de esquadria podem virar se não estiverem apoiadas em segurança. Se a peça cortada ou a peça de trabalho virarem, estas podem levantar o resguardo inferior ou serem projetadas pela lâmina em rotação.
 12. **Não utilize outra pessoa como substituição de uma extensão de mesa ou um suporte adicional.** O apoio instável para a peça de trabalho pode fazer com que a lâmina fique presa ou a peça de trabalho se desloque durante a operação de corte, puxando-o a si e ao seu assistente na direção da lâmina em rotação.
 13. **A peça de corte não deve estar encravada ou ser pressionada por qualquer meio contra a lâmina de serra em rotação.** Se estiver limitada, isto é, utilizando batentes de comprimento, a peça de corte pode ficar entalada contra a lâmina e ser projetada com violência.
 14. **Utilize sempre uma braçadeira ou uma fixação concebida para apoiar adequadamente material redondo, tal como varões ou tubagens.** Os varões têm tendência de se enrolar enquanto são cortados, fazendo com que a lâmina “morda” e puxe a peça de trabalho com a sua mão para a lâmina.
 15. **Aguarde que o disco atinja a velocidade máxima antes de estabelecer contacto com a peça de trabalho.** Isto reduz o risco de projecção da peça de trabalho.
 16. **Se a peça de trabalho ou a lâmina ficar encravada, desligue a serra de esquadria. Aguarde que todas as peças móveis parem e desligue a ficha da fonte de alimentação e/ou remova a bateria. Em seguida, trabalhe para soltar o material encravado.** A serração contínua com uma peça de trabalho encravada pode causar a perda de controlo ou danos na serra de esquadria.
 17. **Após concluir o corte, solte o interruptor, segure a cabeça da serra para baixo e aguarde que a lâmina pare antes de remover a peça de corte.** É perigoso tentar alcançar a lâmina com a mão enquanto esta está a rodar por inércia.
 18. **Segure firmemente na pega quando realizar um corte incompleto ou quando soltar o interruptor antes de a cabeça da serra estar completamente na posição inferior.** A ação de travagem da serra pode fazer com que a cabeça da serra seja subitamente puxada para baixo, causando o risco de lesão.
 19. **Utilize a lâmina de serra apenas com o diâmetro que está marcado na ferramenta ou especificado no manual.** A utilização de uma lâmina de tamanho incorreto pode afetar a proteção adequada da lâmina ou o funcionamento do resguardo, resultando em ferimentos pessoais graves.
 20. **Apenas use lâminas de serra marcadas com uma velocidade igual ou superior à velocidade marcada na ferramenta.**
 21. **Utilize a serra apenas para cortar madeira, alumínio ou materiais similares.**
 22. **(Apenas para países europeus) Utilize sempre a lâmina que possui conformidade com a norma EN847-1.**
- Instruções adicionais**
1. **Feche a oficina com cadeados para segurança das crianças.**
 2. **Nunca se coloque sobre a ferramenta.** Podem ocorrer lesões graves se a ferramenta virar ou se estabelecer contacto inadvertidamente com a ferramenta de corte.
 3. **Nunca deixa a ferramenta ligada sem supervisão.** Desligue a ferramenta. Não deixe a ferramenta sem supervisão antes de estar completamente parada.
 4. **Não utilize a serra sem os resguardos montados.** Verifique se o resguardo da lâmina se encontra devidamente fechado antes de cada utilização. Não trabalhe com a serra se o resguardo da lâmina não se movimentar livremente e fechar instantaneamente. Nunca fixe nem prenda o resguardo da lâmina em posição aberta.
 5. **Mantenha as mãos afastadas da parte cortante da lâmina da serra.** Evite tocar na lâmina quando esta rodar por inércia. Mesmo assim, esta pode provocar lesões.
 6. **Fixe sempre os componentes móveis antes de proceder ao transporte da ferramenta.**
 7. **O pino de bloqueio que bloqueia a cabeça de corte é só para fins de transporte e armazenagem e não para operação de corte.**
 8. **Verifique a lâmina com cuidado quanto a rachaduras ou danos antes da utilização.** Substitua imediatamente a lâmina rachada ou danificada. A pastilha e o passo da madeira endurecidos nas lâminas torna a serra lenta e aumenta o potencial de contragolpe. Mantenha a lâmina limpa, removendo-a primeiramente da ferramenta e, em seguida, limpando-a com removedor de pastilha e de passo, água quente ou querosene. Nunca utilize gasolina para limpar a lâmina.
 9. **Utilize exclusivamente as flanges especificadas para esta ferramenta.**
 10. **Tenha cuidado para não danificar o eixo, as flanges (especialmente a superfície de instalação) ou o perno.** Os danos nestes componentes podem provocar a fratura da lâmina.
 11. **Certifique-se de que a base giratória está bem fixa, de modo a que não se movimente durante a operação.** Utilize os furos na base para apertar a serra a uma plataforma de trabalho estável ou bancada. **NUNCA** utilize a ferramenta no caso em que o posicionamento do operador fosse considerado estranho.

12. **Certifique-se de que soltou o travão do eixo antes de ligar o interruptor.**
13. **Certifique-se de que, na posição mais baixa, a lâmina não fica em contacto com a base giratória.**
14. **Agarre na pega com firmeza. Tenha em conta que a serra se movimenta um pouco para cima e para baixo, durante o arranque e a paragem da ferramenta.**
15. **Verifique se a lâmina não está em contacto com a peça a trabalhar antes de ligar o interruptor.**
16. **Antes de utilizar a ferramenta na peça a trabalhar, deixe-a funcionar em vazio durante algum tempo. Verifique se existem vibrações ou movimento irregular que possam indicar má instalação ou desequilíbrio da lâmina.**
17. **Pare a ferramenta de imediato se notar algo no funcionamento que não seja normal.**
18. **Não tente bloquear o gatilho na posição de ligado.**
19. **Utilize sempre os acessórios recomendados neste manual. A utilização de acessórios inadequados tais como rodas abrasivas podem dar origem a lesões.**
20. **Algum material contém produtos químicos que podem ser tóxicos. Tenha cuidado para evitar a inalação de poeira e o contacto com a pele. Respeite os dados de segurança do fornecedor do material.**

Normas de segurança adicionais para o laser

1. **RADIAÇÃO DO LASER, NÃO OLHAR FIXAMENTE PARA O FEIXE OU VISUALIZAR DIRETAMENTE COM INSTRUMENTOS ÓPTICOS, PRODUTO DE LASER CLASSE 2M.**

GUARDE ESTAS INSTRUÇÕES.

⚠️ AVISO: NÃO permita que o conforto ou familiaridade com o produto (adquirido com o uso repetido) substitua o cumprimento estrito das regras de segurança da ferramenta. A MÁ INTERPRETAÇÃO ou o não seguimento das regras de segurança estabelecidas neste manual de instruções pode provocar ferimentos pessoais graves.

INSTALAÇÃO

Quando a ferramenta é entregue, a pega está bloqueada na sua posição inferior por meio do pino de bloqueio. Solte o perno com uma chave fornecida com a ferramenta e mova a cabeça da serra para o ângulo direito. Retire o perno e fixe a cabeça da serra com o botão.

► **Fig.2:** 1. Chave

► **Fig.3:** 1. Botão

Instalar a chapa auxiliar

Instale a chapa auxiliar utilizando o orifício na base da ferramenta e fixe-a apertando o parafuso.

► **Fig.4:** 1. Chapa auxiliar 2. Parafuso 3. Base

Montagem da bancada

Quando a ferramenta é entregue, a pega está bloqueada na sua posição inferior por meio do pino de bloqueio. Solte o pino de bloqueio baixando a pega ligeiramente e puxando o pino de bloqueio.

► **Fig.5:** 1. Pino de bloqueio

Esta ferramenta deve estar fixa com quatro pernos numa superfície nivelada e estável utilizando os orifícios para os pernos fornecidos na base da ferramenta. Isto ajudará a evitar que tombe e a evitar possíveis ferimentos.

► **Fig.6:** 1. Perno

DESCRIÇÃO FUNCIONAL

⚠️ PRECAUÇÃO: Certifique-se sempre de que a ferramenta está desligada e com a ficha retirada da tomada, antes de proceder a afinações ou de verificar o funcionamento da respetiva ferramenta.

Resguardo da lâmina

► **Fig.7:** 1. Resguardo da lâmina

Ao descer a pega, o resguardo da lâmina sobe automaticamente. O resguardo dispõe de um dispositivo de mola pelo que volta à posição original depois de concluído o corte e quando se ergue a pega. **NUNCA ESTRAGUE OU RETIRE O RESGUARDO DA LÂMINA OU A MOLA QUE SE PRENDE NO RESGUARDO.**

Para sua segurança pessoal, mantenha sempre o resguardo da lâmina em bom estado. Qualquer operação irregular do resguardo da lâmina deve ser corrigida imediatamente. Verifique para se assegurar que o retorno do resguardo com a mola funciona bem. **NUNCA UTILIZE A FERRAMENTA SE O RESGUARDO DA LÂMINA OU A MOLA ESTIVEREM DANIFICADOS, AVARIADOS OU NÃO ESTIVEREM MONTADOS. É MUITO PERIGOSO SE O FIZER E PODE PROVOCAR FERIMENTOS PESSOAIS GRAVES.**

Se o resguardo da lâmina transparente ficar sujo ou partículas de pó aderirem de modo que a lâmina e/ou a peça de trabalho deixem de ser facilmente visíveis, desligue a serra e limpe cuidadosamente o resguardo com um pano húmido. Não utilize solventes ou quaisquer produtos de limpeza à base de petróleo no resguardo em plástico.

Se o resguardo da lâmina estiver especialmente sujo e for impossível ver através do mesmo, utilize a chave fornecida para soltar o perno hexagonal segurando a cobertura central. Solte o perno hexagonal rodando-o para a esquerda e levante o resguardo da lâmina e a cobertura central. Com o resguardo da lâmina posicionado desta maneira, é possível realizar uma limpeza mais completa e eficiente. Quando a limpeza estiver concluída, inverta o procedimento acima e fixe o perno. Não retire a mola que prende o resguardo da lâmina. Se o resguardo ficar descolorado com o decorrer do tempo ou pela ação dos raios UV, contacte um centro de assistência Makita para obter um resguardo novo. **NÃO FORCE NEM DESMONTE O RESGUARDO.**

► **Fig.8:** 1. Resguardo da lâmina

Placa de corte

Esta ferramenta é fornecida com a placa de corte na base giratória para minimizar a produção de estilhaços no lado de saída de um corte. Se a ranhura de corte não tiver sido cortada na placa de corte na fábrica, deve fazer a ranhura antes de utilizar a ferramenta para cortar uma peça de trabalho. Ligue a ferramenta e baixe suavemente a lâmina para cortar uma ranhura na placa de corte.

► **Fig.9:** 1. Placa de corte

Manter a máxima capacidade de corte

Esta ferramenta foi regulada na fábrica para fornecer a máxima capacidade de corte para uma lâmina da serra de 255 mm.

Quando instalar uma nova lâmina, verifique sempre a posição limite inferior da lâmina e, se necessário, regule como se segue:

Primeiro, desligue a ferramenta da corrente elétrica. Baixe completamente a pega. Utilize a chave para rodar o perno de regulação até a periferia da lâmina se estender ligeiramente por baixo da superfície superior da base giratória, no ponto em que a superfície frontal da placa guia se encontra com a superfície superior da base giratória.

► **Fig.10:** 1. Perno de regulação

Com a ferramenta desligada da corrente elétrica, rode a lâmina com a mão enquanto agarra na pega completamente para baixo para se certificar de que a lâmina não entra em contacto com qualquer parte da base inferior. Reajuste ligeiramente, se necessário.

► **Fig.11:** 1. Superfície superior da base giratória
2. Periferia da lâmina 3. Placa guia

⚠PRECAUÇÃO: Depois de instalar uma lâmina nova, certifique-se sempre de que a lâmina não toca em nenhuma parte da base inferior quando a pega se encontra totalmente abaixada. Faça sempre isto com a ferramenta desligada da corrente elétrica.

Regulação do ângulo de esquadria

► **Fig.12:** 1. Alavanca de bloqueio 2. Punho

Solte o punho rodando-o para a esquerda. Rode a base giratória ao mesmo tempo que empurra a alavanca de bloqueio para baixo. Depois de ter movido o punho para a posição em que o ponteiro aponta para o ângulo pretendido na escala da esquadria, aperte o punho em segurança para a direita.

⚠PRECAUÇÃO: Ao fazer rodar a base giratória, certifique-se de que levanta a pega totalmente.

⚠PRECAUÇÃO: Depois de mudar o ângulo de esquadria, prenda sempre a base giratória apertando firmemente o punho.

Regulação do ângulo de bisel

► **Fig.13:** 1. Botão

Para regular o ângulo de bisel, solte o botão na parte traseira da ferramenta para a esquerda.

► **Fig.14:** 1. Ponteiro

Empurre a pega para a esquerda para inclinar a lâmina da serra até o ponteiro apontar para o ângulo pretendido na escala de bisel. Em seguida, aperte o botão firmemente para a direita para prender o braço.

⚠PRECAUÇÃO: Quando inclinar a lâmina da serra, certifique-se de que levanta a pega totalmente.

⚠PRECAUÇÃO: Depois de mudar o ângulo de bisel, prenda sempre o braço apertando a alavanca para a direita.

Ação do interruptor

⚠AVISO: Antes de ligar a ferramenta à corrente elétrica, certifique-se sempre de que o gatilho funciona corretamente e volta para a posição de desligado quando libertado. Utilizar uma ferramenta com um interruptor que não opera devidamente, pode provocar a perda de controlo e resultar em ferimentos pessoais graves.

⚠AVISO: NUNCA utilize a ferramenta sem que esta disponha de um gatilho totalmente operacional. Qualquer ferramenta com um interruptor inoperante é ALTAMENTE PERIGOSA e tem de ser reparada antes de ser utilizada novamente, caso contrário pode causar ferimentos pessoais graves.

► **Fig.15:** 1. Gatilho 2. Botão de segurança

Para evitar que o gatilho do interruptor seja acidentalmente acionado, existe um botão de segurança. Para iniciar a ferramenta pressione o botão de segurança e carregue no gatilho do interruptor. Liberte o gatilho do interruptor para parar.

MONTAGEM

⚠PRECAUÇÃO: Certifique-se sempre de que a ferramenta está desligada e com a ficha retirada da tomada antes de executar quaisquer trabalhos na ferramenta.

Instalar ou retirar a lâmina da serra

⚠PRECAUÇÃO: Certifique-se sempre de que a ferramenta está desligada e a ficha retirada da tomada de corrente elétrica antes de instalar ou retirar a lâmina.

⚠PRECAUÇÃO: Utilize apenas a chave da Makita fornecida para instalar ou retirar a lâmina. Se assim não for pode resultar em aperto excessivo ou insuficiente do perno hexagonal. Pode causar danos.

Quando retirar ou instalar a lâmina, mantenha a pega na posição levantada.

Para remover a lâmina, utilize a chave para soltar o perno hexagonal que prende a cobertura central, rodando-a para a esquerda. Levante o resguardo da lâmina e a cobertura central.

► **Fig.16:** 1. Chave 2. Cobertura central

► **Fig.17:** 1. Perno hexagonal

Pressione o travão do eixo para prender o veio e utilize a chave para libertar o perno hexagonal para a direita. Em seguida, retire o perno hexagonal, a flange exterior e a lâmina.

► **Fig.18:** 1. Perno hexagonal 2. Chave

Para instalar a lâmina, monte-a cuidadosamente sobre o veio certificando-se de que a direção da seta na superfície da lâmina corresponde à direção da seta na caixa da lâmina.

► **Fig.19:** 1. Caixa da lâmina 2. Seta 3. Seta
4. Lâmina da serra

Instale a flange exterior e o perno hexagonal e, em seguida, utilize a chave para apertar em segurança o perno hexagonal (rosca para a esquerda) para a esquerda enquanto pressiona o travão do eixo.

► **Fig.20:** 1. Veio 2. Flange 3. Lâmina da serra
4. Flange 5. Perno hexagonal 6. Anel

⚠PRECAUÇÃO: O anel, com um diâmetro externo de 25,4 mm ou 30 mm, é instalado de fábrica no veio. Antes de montar a lâmina no veio, certifique-se sempre de que tem instalado no veio o anel correto para o orifício de ancoragem da lâmina que pretende utilizar.

Volte a colocar o resguardo da lâmina e a cobertura central na sua posição original. Em seguida, aperte o perno hexagonal para a direita para prender a cobertura central. Desça a pega para se certificar que o resguardo da lâmina funciona corretamente. Certifique-se de que o travão do eixo soltou o veio antes de fazer o corte.

Sub-guia

Específico do país

⚠AVISO: Quando realizar cortes de bisel para a esquerda, vire a sub-guia para fora. Caso contrário, pode entrar em contacto com a lâmina ou com uma parte da ferramenta, provocando possíveis ferimentos graves no operador.

► **Fig.21:** 1. Sub-guia

Esta ferramenta está equipada com uma sub-guia. Normalmente, posicione a sub-guia no interior. No entanto, quando se realizam cortes inclinados para a esquerda, vire-a para fora.

Ligar um aspirador

Quando pretender realizar operações de corte limpo, ligue o aspirador Makita.

► **Fig.22**

Saco do pó

► **Fig.23:** 1. Saco do pó

► **Fig.24:** 1. Fecho

A utilização do saco do pó torna limpa as operações de corte e fácil a recolha do pó. Para prender o saco do pó, coloque-o no bocal do pó.

Quando o saco do pó se encontrar meio cheio, retire-o da ferramenta e tire o fecho. Esvazie o saco do pó, batendo-lhe ligeiramente para remover as partículas aderentes no interior que podem dificultar a recolha.

Prender a peça de trabalho

⚠AVISO: É de extrema importância prender sempre a peça de trabalho bem apertada e adequadamente ao torno. Se assim não for pode fazer com que a ferramenta fique danificada e/ou com que a peça de trabalho fique destruída. PODEM TAMBÉM RESULTAR FERIMENTOS PESSOAIS. Além disso, após uma operação de corte, NÃO levante a lâmina até que a lâmina esteja completamente parada.

⚠PRECAUÇÃO: Quando cortar peças de trabalho longas, utilize suportes que fiquem num nível tão elevado como o da superfície da base giratória. Não confie apenas no torno vertical e/ou horizontal para efeitos de fixação da peça de trabalho. O material fino tende a dobrar. Apoie a peça de trabalho em todo o comprimento, para evitar esmagamentos e eventuais CONTRAGOLPES.

► **Fig.25:** 1. Suporte 2. Base giratória

Torno vertical

► **Fig.26:** 1. Botão do torno 2. Parafuso 3. Braço do torno 4. Varão do torno

O torno vertical pode ser instalado em duas posições no lado esquerdo ou direito da placa guia. Introduza o varão do torno no orifício existente na placa guia e aperte o parafuso para fixar o varão do torno.

Posicione o braço do torno de acordo com a espessura e forma da peça de trabalho e prenda o braço do torno apertando o parafuso. Certifique-se de que nenhuma parte da ferramenta contacta o torno quando baixa completamente a pega. Se algumas partes contactar o torno, volte a posicionar o torno.

Pressione a peça de trabalho direita contra a placa guia e a base giratória. Posicione a peça de trabalho na posição de corte desejada e fixe-a com firmeza apertando o botão do torno.

⚠PRECAUÇÃO: A peça de trabalho tem de ser fixa com segurança contra a base giratória, e a placa guia com o torno durante todas as operações.

OPERAÇÃO

⚠️PRECAUÇÃO: Antes da utilização, certifique-se de que liberta a pega da sua posição inferior puxando o pino de bloqueio.

⚠️PRECAUÇÃO: Verifique se a lâmina não está em contacto com a peça de trabalho, etc., antes de ligar o interruptor.

⚠️PRECAUÇÃO: Não aplique pressão excessiva na pega enquanto corta. Força demasiada pode resultar em sobrecarga do motor e/ou diminuição de eficiência do corte. Empurre a pega para baixo só com a força necessária para um corte suave e sem diminuição significativa da velocidade da lâmina.

⚠️PRECAUÇÃO: Pressione suavemente a pega para baixo para executar o corte. Se a pega for pressionada para baixo com força ou se aplicar força lateral, a lâmina poderá vibrar e deixará uma marca (marca da serra) na peça de trabalho e o corte poderá não ser perfeito.

⚠️PRECAUÇÃO: Não solte a cabeça da serra sem controlo da posição totalmente para baixo. A cabeça da serra sem controlo atinge-o e resulta em lesões físicas.

Corte de pressão

► Fig.27: 1. Torno vertical

Prenda a peça de trabalho com o torno. Ligue a ferramenta sem que a lâmina faça qualquer contacto e espere até que a lâmina atinja toda a velocidade antes de a descer. Depois, desça a pega suavemente para a posição completamente abaixada para cortar a peça de trabalho. Quando o corte está concluído, desligue a ferramenta e AGUARDE ATÉ A LÂMINA PARAR COMPLETAMENTE antes de voltar a colocar a lâmina na sua posição totalmente elevada.

Corte de esquadria

Consulte a secção para regular o ângulo de esquadria.

Corte de bisel

► Fig.28

Solte o botão e incline a lâmina da serra para o ângulo de bisel regulado (Refira-se a “Regulação do ângulo de bisel” descrita anteriormente). Certifique-se de que volta a apertar o botão firmemente para prender seguramente o ângulo de bisel selecionado. Prenda a peça de trabalho com um torno. Ligue a ferramenta sem que a lâmina faça qualquer contacto e espere até que a lâmina atinja a velocidade máxima. Depois, desça a pega suavemente para a posição completamente abaixada ao mesmo tempo que aplica pressão em paralelo com a lâmina. Quando o corte está concluído, desligue a ferramenta e AGUARDE ATÉ A LÂMINA PARAR COMPLETAMENTE antes de voltar a colocar a lâmina na sua posição totalmente elevada.

⚠️PRECAUÇÃO: Certifique-se sempre de que a lâmina move para baixo, para a direção de bisel, durante um corte de bisel. Mantenha as mãos afastadas da parte cortante da lâmina da serra.

⚠️PRECAUÇÃO: Durante um corte de bisel, pode criar-se uma condição em que o pedaço cortado fica encostado à parte lateral da lâmina. Se a lâmina for levantada enquanto ainda está em rotação, a peça pode ser apanhada pela lâmina fazendo com que os fragmentos sejam espalhados, o que pode ser perigoso. A lâmina SÓ pode ser levantada depois de estar completamente parada.

⚠️PRECAUÇÃO: Quando empurrar a pega para baixo, exerça pressão paralelamente à lâmina. Se a pressão não for paralela à lâmina durante um corte, o ângulo da lâmina pode ser desviado e a precisão do corte poderá não ser perfeita.

⚠️PRECAUÇÃO: (Apenas para ferramentas com sub-guia) Coloque sempre a sub-guia na parte exterior quando realizar cortes de bisel para a esquerda.

Corte composto

Corte composto é o processo em que um ângulo de bisel é feito ao mesmo tempo em que um ângulo de esquadria é cortado na peça de trabalho. O corte composto pode ser executado no ângulo indicado na tabela.

Ângulo de bisel	Ângulo de esquadria
45°	0° - 45° à esquerda ou direita

Quando executar o corte composto, refira-se às explicações do “Corte de pressão”, “Corte de esquadria” e “Corte de bisel”.

Corte de sancas e molduras

As sancas e molduras podem ser cortadas com uma serra de esquadria composta colocando-se as molduras retas na base giratória.

Há dois tipos comuns de molduras e um tipo de sanca; molduras com ângulos de 52/38° e 45° e sancas com ângulo de 45°.

► Fig.29: 1. Moldura do tipo 52/38° 2. Moldura do tipo 45° 3. Sanca do tipo 45°

Há juntas de sancas e molduras que são próprias para encaixar em cantos “internos” de 90° ((a) e (b) na figura) e cantos “externos” de 90° ((c) e (d) na figura).

► Fig.30: 1. Canto interno 2. Canto externo

► Fig.31: 1. Canto interno 2. Canto externo

Medir

Meça a largura da parede e ajuste a largura da peça de trabalho de acordo com a mesma. Certifique-se sempre de que a largura da extremidade de contacto da parede com a peça de trabalho é a mesma do comprimento da parede.

► Fig.32: 1. Peça de trabalho 2. Largura da parede 3. Largura da peça de trabalho 4. Extremidade de contacto da parede

Corte sempre vários pedaços para fazer cortes de teste a fim de verificar os ângulos da serra.

Ao cortar sancas e molduras, regule o ângulo de bisel e o ângulo de esquadria como indicado na tabela (A) e posicione as molduras na superfície superior da base da serra como indicado na tabela (B).

Corte de bisel para a esquerda

► **Fig.33:** 1. Canto interno 2. Canto externo

Tabela (A)

-	Posição da moldura na figura	Ângulo de bisel		Ângulo de esquadria	
		Tipo 52/38°	Tipo 45°	Tipo 52/38°	Tipo 45°
Para canto interno	(a)	Esquerdo 33,9°	Esquerdo 30°	Direito 31,6°	Direito 35,3°
	(b)			Esquerdo 31,6°	Esquerdo 35,3°
Para canto externo	(c)			Direito 31,6°	Direito 35,3°
	(d)				

Tabela (B)

-	Posição da moldura na figura	Borda da moldura contra a placa guia	Peça acabada
Para canto interno	(a)	A borda de contacto com o teto deve ficar contra a placa guia.	A peça acabada ficará no lado esquerdo da lâmina.
	(b)	A borda de contacto com a parede deve ficar contra a placa guia.	
Para canto externo	(c)	A borda de contacto com o teto deve ficar contra a placa guia.	A peça acabada ficará no lado direito da lâmina.
	(d)	A borda de contacto com o teto deve ficar contra a placa guia.	

Exemplo:

Se cortar uma moldura do tipo 52/38° para a posição (a) na figura acima:

- Incline e prenda a regulação do ângulo de bisel em 33,9° para a ESQUERDA.
- Ajuste e prenda a regulação do ângulo de esquadria em 31,6° para a DIREITA.
- Coloque a moldura na serra com a superfície traseira mais larga (oculta) na base giratória e com a BORDA DE CONTACTO COM O TETO contra a placa guia.
- A peça acabada a ser utilizada ficará sempre no lado ESQUERDO da lâmina depois de cortar.

Corte de extrusão de alumínio

► **Fig.34:** 1. Torno 2. Bloco espaçador 3. Placa guia 4. Extrusão de alumínio 5. Bloco espaçador

Quando fixar extrusões de alumínio, utilize blocos espaçadores ou pedaços de refugo, como indicado na figura, para evitar deformações do alumínio. Quando cortar extrusão de alumínio, utilize um lubrificante de corte para evitar a acumulação do material de alumínio na lâmina.

PRECAUÇÃO: Nunca tente cortar extrusões de alumínio densas ou redondas. As extrusões de alumínio densas podem soltar-se durante a operação e as extrusões de alumínio redondas não podem ser presas com firmeza com esta ferramenta.

Revestimento de madeira

AVISO: Utilize parafusos para prender o revestimento de madeira à placa guia. Os parafusos devem ser instalados de modo a que as cabeças dos parafusos estejam abaixo da superfície do revestimento de madeira para que não interfiram com o posicionamento do material a ser cortado. O mau alinhamento do material a ser cortado pode provocar movimentos imprevistos durante a operação de corte, causando a perda de controlo e ferimentos pessoais graves.

PRECAUÇÃO: Utilize madeira com espessura uniforme para o revestimento de madeira.

A utilização de um revestimento de madeira assegura que as peças de trabalho não estilhacem. Prenda um revestimento de madeira à placa guia utilizando os orifícios na placa guia.

Veja a figura relativamente às dimensões sugeridas de um revestimento de madeira.

► **Fig.35:** 1. Orifícios

OBSERVAÇÃO: Quando o revestimento de madeira está colocado, não rode a base giratória com a pega descida. A lâmina e/ou o revestimento de madeira ficarão estragados.

NOTA: A largura máxima de corte será inferior à largura da orla da madeira.

Corte do mesmo comprimento repetidamente

Quando cortar várias peças de material com o mesmo comprimento de 240 mm a 380 mm, utilize a placa de apoio (acessório opcional). Instale a placa de apoio no suporte (acessório opcional) como indicado na figura.

► **Fig.36:** 1. Placa de apoio 2. Suporte 3. Parafuso

Alinhe a linha de corte na peça de trabalho com o lado esquerdo ou direito do rasgo da placa de corte e, enquanto prende a peça de trabalho, desloque a placa de regulação até que fique encostada à extremidade da peça de trabalho. Em seguida prenda a placa de regulação com o parafuso.

Quando não utilizar a placa de regulação, liberte o parafuso e coloque a placa de regulação onde não interfira com o trabalho.

NOTA: A utilização do conjunto do suporte-varão (acessório opcional) permite cortes repetidos com o mesmo comprimento até 2.200 mm, aproximadamente.

Transporte de ferramenta

► Fig.37: 1. Pino de bloqueio

Certifique-se de que a ferramenta está desligada da corrente elétrica. Prenda a lâmina no ângulo de bisel de 0° e a base giratória no ângulo de esquadria completamente à esquerda. Desça a pega completamente e prenda-a na posição inferior empurrando o pino de bloqueio.

Transporte da ferramenta pelos punhos de transporte, como indicado na figura. Se retirar os suportes, saco do pó, etc., pode transportar mais facilmente a ferramenta.

► Fig.38

⚠PRECAUÇÃO: Fixe sempre os componentes móveis antes de proceder ao transporte da ferramenta.

⚠PRECAUÇÃO: O pino de bloqueio existe apenas para fins de transporte e armazenamento e não para qualquer operação de corte.

MANUTENÇÃO

⚠AVISO: Certifique-se sempre de que a lâmina se encontra afiado e limpo, para obter um desempenho otimizado e seguro. Tentar cortar com uma lâmina não afiada e/ou suja pode causar contragolpes e provocar ferimentos pessoais graves.

⚠PRECAUÇÃO: Certifique-se sempre de que a ferramenta está desligada e com a ficha retirada da tomada antes de tentar proceder à inspeção ou à manutenção.

OBSERVAÇÃO: Nunca utilize gasolina, benzina, diluente, álcool ou produtos semelhantes. Pode ocorrer a descoloração, deformação ou rachaduras.

Regulação do ângulo do corte

Esta ferramenta foi cuidadosamente regulada e alinhada na fábrica, mas manuseamento pouco cuidado pode afetar o alinhamento. Se a sua ferramenta não estiver alinhada corretamente proceda como se segue:

Ângulo de esquadria

► Fig.39: 1. Perno hexagonal

Solte o punho que fixa a base giratória. Rode a base giratória até o ponteiro apontar para os 0° na escala de esquadria. Aperte o punho e solte os pernos hexagonais que prendem a placa guia utilizando a chave. Se o ponteiro não apontar para os 0° na escala da esquadria, solte o parafuso que prende o ponteiro e mova e fixe a chapa do ponteiro de forma a que o ponteiro fique a apontar para os 0° na escala da esquadria.

Desça a pega completamente e prenda-a na posição inferior empurrando o pino de bloqueio. Coloque a parte lateral da lâmina em esquadria com a superfície da placa guia utilizando uma régua triangular, esquadro, etc.

Depois, aperte os pernos hexagonais em segurança na placa guia por ordem começando a partir do lado direito.

► Fig.40: 1. Régua triangular

Ângulo de bisel

Ângulo de bisel de 0°

► Fig.41: 1. Perno de regulação do ângulo de bisel de 0°

Desça a pega completamente e prenda-a na posição inferior empurrando o pino de bloqueio.

Liberte o botão na parte traseira da ferramenta.

Solte a porca hexagonal e rode o perno de regulação do ângulo de bisel de 0° no lado direito da base giratória duas ou três voltas para a direita para inclinar a lâmina para a direita.

Coloque cuidadosamente a parte lateral da lâmina em esquadria com a superfície superior da base giratória utilizando uma régua triangular, esquadro, etc., rodando o perno de regulação do ângulo de bisel de 0° para a esquerda. Depois, aperte a porca hexagonal para fixar o perno de regulação do ângulo de bisel de 0° e aperte o botão em segurança.

Certifique-se de que o ponteiro no braço aponta para os 0° na escala de bisel. Se não apontar para os 0° na escala de bisel, solte o parafuso que prende o ponteiro e mova e fixe a chapa do ponteiro de forma a que o ponteiro fique a apontar para os 0° na escala de bisel.

► Fig.42: 1. Régua triangular 2. Lâmina da serra 3. Superfície superior da base giratória

► Fig.43: 1. Ponteiro

Ângulo de bisel de 45°

► Fig.44: 1. Perno de regulação do ângulo de bisel de 45° 2. Ponteiro

Regule o ângulo de bisel de 45° só depois de regular o ângulo de bisel de 0°.

Para regular o ângulo de bisel de 45° à esquerda, solte o botão e incline à lâmina completamente para a esquerda.

Certifique-se de que o ponteiro no braço aponta para os 45° na escala de bisel no braço.

Se o ponteiro não apontar para os 45°, rode o perno de regulação do ângulo de bisel de 45° no lado esquerdo do braço até que o ponteiro aponte para os 45°.

Substituir as escovas de carvão

► Fig.45

Retire e verifique regularmente as escovas de carvão. Substitua quando apresentarem um desgaste de 3 mm de extensão. Mantenha as escovas de carvão limpas e libertas para deslizarem nos suportes. Deve substituir as duas escovas de carvão ao mesmo tempo. Utilize apenas escovas de carvão idênticas.

Utilize uma chave de parafusos para remover as tampas do suporte da escova. Retire as escovas de carvão gastas, insira as novas e fixe as tampas do suporte da escova.

► Fig.46: 1. Tampa do suporte da escova 2. Chave de parafusos

Depois da utilização

Depois da utilização, limpe as aparas e o pó que aderiu à ferramenta com um pano ou material semelhante.

Mantenha o resguardo da lâmina limpo conforme instruções constantes da anterior secção com o título "Resguardo da lâmina". Lubrifique os componentes deslizantes com óleo de máquina para evitar a ferrugem.

Para manter a SEGURANÇA e a FIABILIDADE do produto, as reparações e qualquer outra manutenção ou ajuste devem ser levados a cabo pelos centros de assistência Makita autorizados ou pelos centros de assistência de fábrica, utilizando sempre peças de substituição Makita.

ACESSÓRIOS OPCIONAIS

⚠ PRECAUÇÃO: Estes acessórios ou peças são recomendados para utilização com a ferramenta Makita especificada neste manual. A utilização de outros acessórios ou peças pode ser perigosa para as pessoas. Utilize apenas acessórios ou peças para os fins indicados.

Se necessitar de informações adicionais relativas a estes acessórios, solicite-as ao seu centro de assistência Makita.

- Lâminas de serra de aço com pontas carboneto (Consulte o nosso website ou contacte o seu distribuidor Makita local para obter as lâminas da serra corretas a utilizar para o material a cortar.)

NOTA: Alguns itens da lista podem estar incluídos na embalagem da ferramenta como acessórios padrão. Eles podem variar de país para país.

SPECIFIKATIONER

Model:		M2300
Klangediameter		255 mm
Diameter af hul	For alle andre lande end landene i Europa	25,4 mm - 30 mm (landespecifik)
	For lande i Europa	30 mm
Maks. tykkelse af savsnit for savklinge		3,2 mm
Hastighed uden belastning		4.200 min ⁻¹
Dimensioner (L x B x H)		610 mm x 485 mm x 515 mm
Nettovægt		13,8 kg
Sikkerhedsklasse		□/II






- På grund af vores kontinuerlige forsknings- og udviklingsprogrammer kan hosstændige specifikationer blive ændret uden varsel.
- Specifikationer kan variere fra land til land.
- Vægt i henhold til EPTA-procedure 01/2014

Skæredybde (H x B) med klinge 255 mm i diameter

Skråvinkel	Geringsvinkel	
	0°	45° (venstre og højre)
0°	75 mm x 130 mm	75 mm x 90 mm
45° (venstre)	48 mm x 120 mm	48 mm x 90 mm

Symboler

Følgende viser de symboler, der muligvis anvendes til udstyret. Sørg for, at du forstår deres betydning før brugen.

	Læs brugsanvisningen.
	DOBBELT ISOLERING
	For at undgå personskade fra flyvende rester skal De holde savhovedet nede, når De har foretaget snit, indtil klingens er stoppet helt.
	Placer ikke hånden eller fingrene i nærheden af klingens.
	Indstil altid UNDERANSLAGET til venstre position ved udførelse af skråsnit mod venstre. Hvis De ikke gør dette, kan operatøren komme ud for alvorlig personskade.



Kun for lande inden for EU
 Brugt elektrisk og elektronisk udstyr kan have en negativ indvirkning på miljøet og folkesundheden på grund af tilstedeværelsen af farlige komponenter i udstyret. Bortskaf ikke elektriske og elektroniske apparater sammen med husholdningsaffald!
 I overensstemmelse med EF-direktiv om affaldshåndtering af elektrisk og elektronisk udstyr, og i overensstemmelse med national lovgivning, skal brugt elektrisk og elektronisk udstyr opbevares separat og leveres til et separat indsamlingssted til kommunalt affald, der er etableret i henhold til bestemmelserne om miljøbeskyttelse. Dette er angivet ved symbolet på den krydsede skraldespand, der er placeret på udstyret.

Tilsluttet anvendelse

Denne maskine er beregnet til udførelse af præcis lige afkorting og geringssnit i træ. Der kan også saves i aluminium med passende savklinger.

Strømforsyning

Maskinen må kun tilsluttes en strømforsyning med samme spænding som angivet på typeskiltet og kan kun anvendes på enfaset vekselstrømforsyning. Den er dobbeltisoleret og kan derfor også tilsluttes netstik uden jordforbindelse.

Støj

Det typiske A-vægtede støjniveau bestemt i overensstemmelse med EN62841-3-9:
Lydtryksniveau (L_{pA}) : 89 dB (A)
Lydeffektniveau (L_{WA}) : 102 dB (A)
Usikkerhed (K) : 3 dB (A)

BEMÆRK: De(n) angivne støjemissionsværdi(er) er målt i overensstemmelse med en standardtestmetode og kan anvendes til at sammenligne en maskine med en anden.

BEMÆRK: De(n) angivne støjemissionsværdi(er) kan også anvendes i en præliminær eksponeringsvurdering.

⚠ ADVARSEL: Bær høreværn.

⚠ ADVARSEL: Støjemissionen under den faktiske anvendelse af maskinen kan være forskellig fra de(n) angivne værdi(er), afhængigt af den måde hvorpå maskinen anvendes, især den type arbejdsemne der behandles.

⚠ ADVARSEL: Sørg for at identificere de sikkerhedsforskrifter til beskyttelse af operatøren, som er baseret på en vurdering af eksponering under de faktiske brugsforhold (med hensyntagen til alle dele i brugscyklussen, f.eks. de gange, hvor maskinen er slukket, og når den kører i tomgang i tilgilt til afbrydertiden).

EF-overensstemmelseserklæring

Kun for lande i Europa

EF-overensstemmelseserklæringen er inkluderet som Bilag A i denne brugsanvisning.

SIKKERHEDSADVARSLER

Almindelige sikkerhedsregler for el-værktøj

⚠ ADVARSEL: Læs alle de sikkerhedsadvarsler, instruktioner, illustrationer og specifikationer, der følger med denne maskine. Forsømmelse af at overholde alle nedenstående instruktioner kan medføre elektrisk stød, brand og/eller alvorlig personskade.

Gem alle advarsler og instruktioner til fremtidig reference.

Ordet "el-værktøj" i advarslerne henviser til det netforsyede (netledning) el-værktøj eller batteriforsyede (akku) el-værktøj.

Sikkerhedsinstruktioner for geringsssave

1. **Geringsssave er beregnet til at save i træ eller træ lignende produkter. De kan ikke anvendes som slibende afskæringsskiver til at skære i jernholdige metaller som f.eks. bjælker, stænger, stivere osv.** Slibestøv får bevægelige dele som f.eks. den nederste beskyttelseskærm til at sætte sig fast. Gnister fra slibeskæring vil forbrænde den nederste beskyttelseskærm, savsnitsindlæg og andre plastikdele.
 2. **Brug skruetvinger til at understøtte arbejdsemnet, når som helst det er muligt. Hvis du understøtter arbejdsemnet i hånden, skal du altid holde hånden mindst 100 mm fra begge sider af savklingen. Anvend ikke denne sav til at skære stykker, der er for små til at kunne fastgøres forsvarligt eller holdes i hånden.** Hvis din hånd er placeret for tæt på savklingen, er der større risiko for personskade pga. kontakt med klingens.
 3. **Arbejdsemnet skal være i ro og fastgjort eller holdt mod både anslaget og bordet. Indlad at indføre arbejdsemnet til klingens eller at skære "på frihånd" på nogen måde.** Ikke-fastholdte eller bevægelige arbejdsemner kan blive slynget bort ved høj hastighed og forårsage personskade.
 4. **Placer aldrig din hånd over den tilsigtede skærelinje, hverken foran eller bag ved savklingen.** Understøttelse af arbejdsemnet med "krydsede hænder", dvs. at holde arbejdsemnet til højre for savklingen med venstre hånd eller omvendt, er meget farligt.
- Fig.1
5. **Undlad at række bag ved anslaget med nogen af hænderne tættere end 100 mm fra begge sider af savklingen, at fjerne træstykker eller af nogen anden årsag, så længe klingens roterer.** Det er muligvis ikke tydeligt, hvor tæt den roterende savklinge er på din hånd, og du kan komme alvorligt til skade.
 6. **Inspicer arbejdsemnet, før der skæres.** Hvis arbejdsemnet er buet eller skævt, skal du fastgøre det med den udvendige buede side mod anslaget. Sørg altid for, at der ikke er mellemrum mellem arbejdsemnet, anslaget og bordet langs skærelinjen. Buede eller skæve arbejdsemner kan vride sig eller flytte sig og kan medføre binding af den roterende savklinge, mens der skæres. Der må ikke være søm eller fremmedlegemer i arbejdsemnet.
 7. **Undlad at bruge saven, før bordet er ryddet for alle værktøjer, træstykker osv. bortset fra arbejdsemnet.** Små rester eller løse stykker træ eller andre genstande, der kommer i kontakt med den roterende klinge, kan blive slynget bort med høj hastighed.
 8. **Skær kun i ét arbejdsemne ad gangen.** Flere stablede arbejdsemner kan ikke fastgøres eller understøttes tilstrækkeligt og kan binde klingens eller flytte sig under skæringen.
 9. **Sørg for, at geringsssaven er monteret eller placeret på en jævn, stabil arbejdsflade, før den bruges.** En jævn og stabil arbejdsflade mindsker risikoen for, at geringsssaven bliver ustabil.

10. **Planlæg dit arbejde.** Hver gang du ændrer indstillingen for skrå- eller geringsvinkel, skal du sikre dig, at det justerbare anlæg er indstillet korrekt til at understøtte arbejdsemnet, og at det ikke kommer i vejen for klingen eller beskyttelsessystemet. Uden at slå maskinen "TIL" og uden arbejdsemne på bordet skal du flytte savklingen gennem et komplet simuleret snit for at sikre dig, at der ikke er noget i vejen eller risiko for at skære i anlaget.
 11. **Sørg for tilstrækkelig understøttelse, for eksempel bordforlængelser, savbukke osv., for et arbejdsemne, der er bredere eller længere end bordpladen.** Arbejdsemner, der er længere eller bredere end geringssavens bord, kan vippe, hvis de ikke er tilstrækkeligt understøttet. Hvis det afskårne stykke eller arbejdsemnet vipper, kan det løfte den nederste beskyttelsesskærm eller blive slynget bort af den roterende klinge.
 12. **Undlad at bruge en anden person som erstatning for en bordforlængelse eller som ekstra støtte.** Ustabil understøttelse af arbejdsemnet kan få klingens til at binde eller arbejdsemnet til at flytte sig under skæringen, så du selv og hjælperen bliver trukket ind i den roterende klinge.
 13. **Det afskårne stykke må ikke på nogen måde sidde fast eller blive trykket imod den roterende savklinge.** Hvis det begrænses, for eksempel med længdestopper, kan det afskårne stykke blive klemt mod klingens og slynget voldsomt bort.
 14. **Brug altid en skruevinge eller et stykke inventar, der er beregnet til korrekt at støtte runde materialer som f.eks. stænger eller rør.** Stænger har tendens til at rulle, når de skæres, hvilket får klingens til at "bide" og trække emnet med din hånd ind i klingens.
 15. **Lad klingens nå fuld hastighed, før den sættes mod arbejdsemnet.** Dette reducerer risikoen for, at arbejdsemnet slynkes bort.
 16. **Sluk for geringssaven, hvis arbejdsemnet eller klingens klemmer sig fast.** Vent, til alle bevægelige dele er stoppet, og tag stikket ud af strømkilden og/eller fjern akkuen. Begynd derefter at frigøre det fastklemt materiale. Fortsat savning med et fastklemt arbejdsemne kan medføre, at du mister kontrollen, eller beskadigelse af geringssaven.
 17. **Når et snit er færdigt, skal du slippe afbryderen, holde savhovedet nede og vente, til klingens er stoppet, før du fjerner det afskårne stykke.** Det er farligt at stikke hånden hen til klingens, mens den stadig kører.
 18. **Hold godt fast i håndtaget, når der foretages et ufærdigt snit, eller hvis du slipper afbryderen, inden savhovedet er helt nede i den nederste position.** Savens bremsefunktion kan medføre, at savhovedet pludseligt trækkes nedad, og medføre risiko for personskade.
 19. **Brug kun savklingen med den diameter, som er markeret på maskinen eller angivet i vejledningen.** Brug af en klinge med forkert størrelse kan muligvis påvirke den korrekte afskærmning af klingens eller skærmfunktionen, hvilket muligvis kan resultere i alvorlig personskade.
 20. **Brug kun savklinger, der er mærket med en hastighed svarende til eller større end den hastighed, der er angivet på maskinen.**
 21. **Anvend ikke saven til at skære i andet end træ, aluminium eller lignende materialer.**
 22. **(Kun for lande i Europa)**
Brug altid en klinge, der overholder EN847-1.
- Yderligere instruktioner**
1. **Gør dit værktøj børnesikkert med hængelåse.**
 2. **Stå aldrig på maskinen.** Det kan medføre alvorlig personskade, hvis maskinen vælter, eller ved utilsigtet kontakt med skærmmaskinen.
 3. **Lad aldrig maskinen køre uovervåget. Sluk for strømmen.** Gå ikke fra maskinen, før den er stoppet helt.
 4. **Anvend ikke saven, uden at beskyttelsesskærmene er på plads.** Kontrollér beskyttelsesskærmen for korrekt funktion før hver brug. **Anvend ikke saven, hvis beskyttelsesskærmen ikke bevæger sig frit og lukker øjeblikkeligt.** Beskyttelsesskærmen må aldrig klemmes eller bindes til åben position.
 5. **Hold hænderne væk fra savklingens bane.** Undgå kontakt med klingens, mens denne kører i frihjul. Dette kan stadig medføre alvorlig personskade.
 6. **Fastgør altid bevægelige dele, før maskinen transporteres.**
 7. **Stopstiften, som låser skærehovedet nede, er kun beregnet til transport- og opbevaringsformål og ikke til nogen form for skæring.**
 8. **Efterse omhyggeligt klingens for revner eller beskadigelse før brugen.** Udskift øjeblikkeligt en revnet eller beskadiget klinge. Gummi og tjære, der hærdes mod klingens, gør saven langsommere og øger risikoen for tilbageslag. Hold klingens ren ved først at tage den ud af maskinen og derefter rense den med gummi- og tjærefjerner, varmt vand eller petroleum. Benyt aldrig benzin til at rense klingens.
 9. **Anvend kun flanger, der er anbefalet til brug med denne maskine.**
 10. **Sørg for ikke at beskadige akslen, flangerne (specielt monteringsfladen) eller boltens.** Beskadigelse af disse dele kan medføre beskadigelse af klingens.
 11. **Sørg for, at drejeskiven er fastlåst og ikke bevæger sig under brug.** Brug hullerne i foden til at fastgøre saven til en stabil arbejdsplatform eller bænk. **Anvend ALDRIG maskinen, hvis operatørens position kan blive akavet.**
 12. **Sørg for, at spindellåsen er løsnet, før der tændes på afbryderen.**
 13. **Sørg for, at klingens ikke rører drejeskiven i nederste position.**
 14. **Hold godt fast i håndtaget.** Vær opmærksom på, at saven ved start og stop bevæger sig let op og ned.
 15. **Sørg for, at klingens ikke er i berøring med arbejdsemnet, før der tændes på afbryderen.**
 16. **Før maskinen anvendes på arbejdsemnet, skal den køre i tomgang et stykke tid.** Vær opmærksom på vibrationer eller rystelser, der kan være forårsaget af forkert montage eller manglende afbalancering af klingens.
 17. **Afbrød straks anvendelsen, hvis du bemærker noget unormalt under brugen.**

18. Forsøg aldrig at fastlåse afbryderen i "TIL"-stillingen.
19. Anvend altid kun det tilbehør, der er anbefalet i denne brugsanvisning. Anvendelse af forkert tilbehør, eksempelvis slibeskiver, kan medføre personskade.
20. Nogle materialer indeholder kemikalier, der kan være giftige. Sørg omhyggeligt for at undgå at indånde støv samt kontakt med huden. Følg materialeleverandørens sikkerhedsdata.

Yderligere sikkerhedsregler for laseren

1. LASERSTRÅLING, UNDLAD AT SE IND I STRÅLEN ELLER AT BETRAGTE DEN DIREKTE MED OPTISKE INSTRUMENTER, KLASSE 2M LASERPRODUKT.

GEM DISSE FORSKRIFTER.

⚠ ADVARSEL: LAD IKKE bekvemmelighed eller kendskab til produktet (opnået gennem gentagen brug) forhindre, at sikkerhedsforskrifterne for produktet nøje overholdes. MISBRUG eller forsvømmelse af at følge de i denne brugsvejledning givne sikkerhedsforskrifter kan medføre alvorlig personskade.

MONTERING

Ved forsendelse af maskinen er håndtaget låst i den nederste stilling ved hjælp af stopstiften. Løsn bolten med den skrueøgle, der fulgte med maskinen, og flyt savhovedet til den rette vinkel. Fjern bolten, og fastgør savhovedet ved hjælp af knoppen.

► **Fig.2:** 1. Skrueøgle

► **Fig.3:** 1. Knop

Montering af støttefoden

Monter støttefoden ved hjælp af hullerne på maskinens bund, og fastgør den ved at stramme skruen.

► **Fig.4:** 1. Støttefod 2. Skruer 3. Bund

Montering på bænk

Ved forsendelse af maskinen er håndtaget låst i den nederste stilling ved hjælp af stopstiften. Frigør stopstiften ved at sænke håndtaget en smule og trække i stopstiften.

► **Fig.5:** 1. Stopstift

Denne maskine skal fastgøres med fire bolte til en plan og stabil overflade ved hjælp af bolthullerne i maskinens bund. Dette hjælper med til at forhindre, at den vipper med personskaade til følge.

► **Fig.6:** 1. Bolt

FUNKTIONSBESKRIVELSE

⚠ FORSIGTIG: Kontrollér altid, at maskinen er slået fra, og at netstikket er trukket ud, før der udføres justeringer, eller funktioner kontrolleres på maskinen.

Beskyttelsesskærm

► **Fig.7:** 1. Beskyttelsesskærm

Når håndtaget sænkes, hæves beskyttelsesskærmen automatisk. Beskyttelsesskærmen er fjederbelastet og vender tilbage til den oprindelige position, når arbejdet er afsluttet, og håndtaget hæves. BESKYTTELSESSKÆRMEN OG FJEDEREN PÅ SKÆRMEN MÅ ALDRIG SÆTTES UD AF FUNKTION ELLER FJERNES.

For din personlige sikkerheds skyld skal du altid holde beskyttelsesskærmen i god stand. Enhver uregelmæssig funktion i beskyttelsesskærmen skal repareres med det samme. Kontroller, at den fjederbelastede beskyttelsesskærm går tilbage. BRUG ALDRIG MASKINEN, HVIS BESKYTTELSESSKÆRMEN ELLER FJEDEREN ER BESKADIGET, DEFEKT ELLER MANGLER. DET ER YDERST FARLIGT AT GØRE DETTE OG KAN MEDFØRE ALVORLIG PERSONSKADE.

Hvis den gennemsigtige beskyttelsesskærm bliver snavset, eller savsmuld klæber til den på en sådan måde, at klingens og/eller arbejdsemnet ikke længere nemt er synlige, skal saven tages ud af stikkontaktens, og beskyttelsesskærmen skal rengøres forsigtigt med en fugtig klud. Anvend ikke opløsningsmidler eller oliebaseerede rengøringsmidler på plastikbeskyttelsesskærmen.

Hvis beskyttelsesskærmen er meget snavset, og det er vanskeligt at se gennem skærmen, skal du bruge den medfølgende skrueøgle til at løse sekskantbolten, der holder midterafdækningen. Løsn sekskantbolten ved at dreje den i retningen mod uret, og løft beskyttelsesskærmen og midterafdækningen. Når beskyttelsesskærmen er placeret på denne måde, kan rengøring udføres mere komplet og effektivt. Udfør ovenstående procedure i omvendt rækkefølge, og fastgør bolten, når rengøringen er fuldført. Fjern ikke den fjeder, der holder beskyttelsesskærmen. Hvis beskyttelsesskærmen bliver misfarvet med tiden eller på grund af udsættelse for ultraviolet lys, skal du kontakte et Makita servicecenter for at få en ny skærm. OMGÅ ELLER AFMONTER IKKE BESKYTTELSESSKÆRMEN.

► **Fig.8:** 1. Beskyttelsesskærm

Indlægsplade

Denne maskine er udstyret med en indlægsplade i drejeskiven med det formål at minimere rivning på udgangssiden af en skæring. Hvis indlægsrillen endnu ikke er skåret ind i indlægspladen fra fabrikkens side, bør du skære rillen, før du faktisk bruger maskinen til at skære et arbejdsemne. Tænd for maskinen, og sænk forsigtigt klingens for at skære en rille i indlægspladen.

► **Fig.9:** 1. Indlægsplade

Vedligeholdelse af maksimal skærekapacitet

Denne maskine er fra fabrikken indstillet til at give den maksimale skærekapacitet med en 255 mm savklinge.

Når der monteres en ny klinge, skal den nedre grænseposition på klingens altid kontrolleres og, såfremt det er påkrævet, justeres som beskrevet herunder:

Tag først maskinen ud af stikkontakten. Sænk håndtaget helt. Brug skruenøglen til at dreje justeringsbolten, indtil kanten af klingens stikker en smule ud under den øverste flade af drejeskiven på det sted, hvor den forreste ende af anslaget og den øverste flade af drejeskiven mødes.

► **Fig.10:** 1. Justeringsbolt

Lad maskinen være taget ud af stikkontakten, og drej klingens med hånden, idet du holder håndtaget helt nede for at sikre dig, at klingens ikke kommer i berøring med nogen del af den nederste skive. Juster om nødvendigt en smule.

► **Fig.11:** 1. Overflade af drejeskiven 2. Kanten af klingen 3. Anslag

⚠FORSIGTIG: Sørg altid for, når en ny klinge er monteret, at klingens ikke kommer i berøring med nogen dele på den nederste skive, når håndtaget sænkes helt. Gør altid dette med maskinen taget ud af stikkontakten.

Justering af geringsvinklen

► **Fig.12:** 1. Låsearm 2. Indstillingsgreb

Løsn indstillingsgrebet ved at dreje det i retningen mod uret. Drej drejeskiven, idet der trykkes ned på låsearmen. Når du har flyttet indstillingsgrebet til den position, hvor viseren peger på den ønskede vinkel på geringskalaen, strammes indstillingsgrebet forsvarligt i retningen med uret.

⚠FORSIGTIG: Når drejeskiven drejes, skal håndtaget været helt hævet.

⚠FORSIGTIG: Efter ændring af geringsvinklen skal drejeskiven altid sikres ved, at indstillingsgrebet spændes stramt til.

Justering af skråvinklen

► **Fig.13:** 1. Knop

For at justere vinklen ved skråsnit løsnes knoppen på bagsiden af værktøjet i retningen mod uret.

► **Fig.14:** 1. Viser

Skub håndtaget mod venstre for at vippe savklingen, indtil viseren peger på den ønskede vinkel på skråskalaen. Stram derefter knoppen i retningen med uret for at holde armen fast på plads.

⚠FORSIGTIG: Når savklingen vippes, skal håndtaget hæves helt.

⚠FORSIGTIG: Efter ændring af skråvinklen skal håndtaget altid sikres ved, at det strammes i retningen med uret.

Afbryderfunktion

⚠ADVARSEL: Før maskinen tilkobles, skal du altid kontrollere, at afbryderknappen aktiveres korrekt og går tilbage i "OFF"-stillingen, når den slippes. Anvendelse af maskinen med en afbryderknop, som ikke fungerer korrekt, kan føre til, at du mister herredømmet over maskinen med alvorlig personskade til følge.

⚠ADVARSEL: Anvend ALDRIG maskinen, hvis afbryderknappen ikke fungerer, som den skal. Enhver maskine med en ikke-fungerende afbryderknop er YDERST FARLIG og skal repareres før yderligere anvendelse, da det ellers kan medføre alvorlig personskade.

► **Fig.15:** 1. Afbryderknop 2. Aflåseknop

For at forhindre, at afbryderknappen trykkes ind ved et uheld, er maskinen udstyret med en aflåseknop. Maskinen startes ved at trykke aflåseknappen ind og derefter trykke på afbryderknappen. Slip afbryderknappen for at stoppe.

SAMLING

⚠FORSIGTIG: Sørg altid for, at maskinen er slukket og taget ud af forbindelse, inden der udføres nogen form for arbejde på maskinen.

Montering eller afmontering af savklingen

⚠FORSIGTIG: Vær altid sikker på, at maskinen er slukket og taget ud af stikkontakten, før klingens monteres eller afmonteres.

⚠FORSIGTIG: Anvend kun den skruenøgle, som er leveret af Makita, til at montere eller afmontere klingens. Hvis du ikke gør det, kan det medføre en for hård eller for let tilspænding af sekskantbolten. Dette kan medføre personskade.

Ved afmontering eller montering af klingens skal håndtaget holdes i den hævede position.

For at fjerne klingens skal du bruge skruenøglen til at løsne den sekskantbolt, der holder midterafdækningen, ved at dreje den i retningen mod uret. Løft beskyttelses-skærmen og midterafdækningen.

► **Fig.16:** 1. Skruenøgle 2. Midterafdækning

► **Fig.17:** 1. Sekskantbolt

Tryk på skaftlåsen, så spindelen låses, og anvend skruenøglen til at løsne sekskantbolten i retningen med uret. Fjern derefter sekskantbolten, den ydre flange og klingens.

► **Fig.18:** 1. Sekskantbolt 2. Skruenøgle

For at montere klingens skal du placere den forsigtigt på spindelen, idet det kontrolleres, at retningen af pilen på klingens overflade svarer til retningen af pilen på klingehuset.

► **Fig.19:** 1. Klingehus 2. Pil 3. Pil 4. Savklinge

Monter den ydre flange og sekskantbolten, og brug derefter skruenøglen til at spænde sekskantbolten (venstreskåret gevind) fast ved at dreje den i retningen mod uret, mens der trykkes på skaftlåsen.

► **Fig.20:** 1. Spindel 2. Flange 3. Savklinge 4. Flange 5. Sekskantbolt 6. Ring

⚠FORSIGTIG: Ringen med en ydre diameter på 25,4 mm eller 30 mm er monteret på spindelen fra fabrikken. Før klingens monteres på spindelen, skal det altid kontrolleres, at den rigtige ring til aksehullet på den klinge, du vil bruge, er monteret på spindelen.

Sæt beskyttelsesskærmen og midterafdækningen tilbage på plads. Stram dernæst sekskantbolten i retningen med uret for at holde midterafdækningen på plads. Sænk håndtaget for at sikre, at beskyttelsesskærmen bevæger sig på korrekt vis. Sørg for, at skaftlåsen har udløst spindelen, før der skræres.

Underanslag

Landespecifik

⚠ADVARSEL: Ved udførelse af venstre skråsnit skal underanslaget placeres udvendigt. Ellers kan det komme i berøring med klingens eller en del af værktøjet med risiko for, at operatøren kommer alvorligt til skade.

► **Fig.21:** 1. Underanslag

Dette værktøj er udstyret med et underanslag. Underanslaget skal normalt anbringes indeni. Men ved udførelse af venstre skråsnit skal det placeres udvendigt.

Tilslutning af en støvsuger

Hvis du ønsker at udføre en ren skæreoperation, skal du tilslutte en Makita-støvsuger.

► **Fig.22**

Støvpose

► **Fig.23:** 1. Støvpose

► **Fig.24:** 1. Lukkeskinne

Anvendelse af støvposen giver et rent arbejdsmiljø og gør det nemt at opsamle støv. Støvposen sættes på posens mundstykke sættes over støvmundstykket.

Når støvposen er cirka halvt fyldt, tages den af værktøjet, og lukkeskinnen trækkes ud. Tøm støvposen, og bank let på den, så de støvpartikler, der har samlet sig på de indvendige flader, og som kan nedsætte effektiviteten af støvopsamlingen, fjernes.

Fastspænding af arbejdsemnet

⚠ADVARSEL: Det er yderst vigtigt altid at sørge for, at arbejdsemnet er fastspændt korrekt og stramt i skruestikken. Forsømmelse af dette kan medføre beskadigelse af maskinen, og/eller at arbejdsemnet ødelægges. DET KAN OGSÅ MEDFØRE PERSONSKADE. Efter et snit må du desuden IKKE hæve klingens, før klingens er standset fuldstændigt.

⚠FORSIGTIG: Ved skæring i lange arbejdsemner skal der benyttes støtter, der er lige så høje som den øverste overflade af drejeskiven. Forlad dig ikke udelukkende på den lodrette og/eller vandrette skruestik ved fastspænding af emnet. Tynde materialer har en tendens til at bøje. Understøt arbejdsemnet i hele dets længde, så det undgås, at klingens klemmes fast med risiko for TILBAGESLAG.

► **Fig.25:** 1. Støtte 2. Drejeskive

Lodret skruestik

► **Fig.26:** 1. Skruenap 2. Skruer 3. Skruerarm 4. Skruestang

Den lodrette skruestik kan monteres på to positioner enten til venstre eller til højre for anslaget. Sæt skruestangen ind i hullet på anslaget, og stram skruen for at holde skruestangen på plads.

Indstil skruerarmen efter arbejdsemnets tykkelse og form, og fastspænd den ved at stramme skruen.

Sørg for, at ingen del af maskinen kommer i kontakt med skruestikken, når håndtaget sænkes helt. Hvis nogen dele berører skruestikken, bør skruestikken genindstilles.

Tryk arbejdsemnet fladt mod anslaget og drejeskiven. Juster arbejdsemnet til den ønskede skråsnitposition, og fastgør det ved at stramme skruenappen.

⚠FORSIGTIG: Arbejdsemnet bør være helt fastspændt mod drejeskiven og anslaget med skruestikken under alt arbejde.

ANVENDELSE

⚠FORSIGTIG: Før brugen bør håndtaget altid frigøres fra den nederste stilling, ved at der trækkes i stopstiften.

⚠FORSIGTIG: Sørg for, at klingens ikke berører arbejdsemnet el. lign., før værktøjet startes.

⚠FORSIGTIG: Læg ikke for meget tryk på håndtaget, når der savnes. Et for kraftigt tryk kan resultere i overbelastning af motoren og/eller formindsket saveeffektivitet. Tryk kun håndtaget ned med så meget kraft, som kræves for at udføre ubesværet savning, og uden at klingens hastighed reduceres ret meget.

⚠FORSIGTIG: Tryk forsigtigt håndtaget ned for at udføre savningen. Hvis håndtaget trykkes ned med magt, eller hvis det udsættes for sidelæns tryk, kan savklingen vibrere og efterlade mærker (savmærker) på arbejdsemnet, og savningen vil muligvis ikke være nøjagtig.

⚠FORSIGTIG: Undlad at frigøre savhovedet ukontrolleret fra den helt nedadgående position. Et ukontrolleret savhoved kan ramme dig og resultere i personskade.

Savning ved tryk

► Fig.27: 1. Lodret skruestik

Fastspænd arbejdsemnet ved hjælp af skruestikken. Tænd for maskinen, uden at klingen er i kontakt, og vent, til klingen er kommet op på fuld hastighed, før den sænkes. Sænk derefter forsigtigt håndtaget til den helt sænkede position for at skære arbejdsemnet. Når skæringen er færdig, skal du slukke for maskinen og VENTE, TIL KLINGEN ER STOPPET HELT, før klingens returneres til dens øverste position.

Geringssnit

Se afsnittet om justering af geringsvinklen.

Skråsnit

► Fig.28

Løsn knoppen, og vip savklingen for at indstille vinklen til skråsnit (se det tidligere afsnit "Justering af skråvinklen"). Sørg for at spænde knoppen fast igen for at fastgøre den valgte skråsnitvinkel forsvarligt. Fastspænd arbejdsemnet i skruestikken. Tænd for maskinen, uden at klingens berører arbejdsemnet, og vent, til klingens er kommet op på fuld hastighed. Sænk derefter forsigtigt håndtaget til den helt sænkede position, idet der trykkes parallelt med klingens. Når skæringen er færdig, skal du slukke for maskinen og VENTE, TIL KLINGEN ER STOPPET HELT, før klingens returneres til dens øverste position.

▲FORSIGTIG: Sørg altid for, at klingens bevæger sig ned i skråsnitsretningen under et skråsnit. Anbring aldrig hænderne i savklingens bane.

▲FORSIGTIG: Under et skråsnit kan der opstå en situation, hvor det afskårne stykke kan komme til at hvile mod siden af klingens. Hvis klingens hæves, mens klingens stadig roterer, kan dette stykke blive grebet af klingens, så der udslynges fragmenter, hvilket er farligt. Klingens må FØRST hæves, når klingens er stoppet helt.

▲FORSIGTIG: Når håndtaget trykkes ned, skal der trykkes parallelt med klingens. Hvis trykket ikke er parallelt med klingens, kan klingens vinkel blive forskudt, og nøjagtigheden af snittet forringes.

▲FORSIGTIG: (Kun for værktøjer med underanslag) Anbring altid underanslaget udvendigt, når der udføres venstre skråsnit.

Kombineret snit

Kombineret snit er betegnelsen for den proces, hvor der frembringes en skråvinkel, samtidig med at der laves en geringsvinkel i arbejdsemnet. Kombineret snit kan udføres i en vinkel som vist i nedenstående tabel.

Skråvinkel	Geringvinkel
45°	Venstre og højre 0° - 45°

Se under "Savning ved tryk", "Geringssnit" og "Skråsnit", når der skal udføres kombineret skæring.

Skærekroner og indskæringsdele

Krone- og indskæringsdele kan skæres med en afkorter-geringssav med delene placeret fladt på drejeskiven.

Der er to almindelige typer kronerefspring og en type indskæringsdel, 52/38° vægvinkelkrone-refspring, 45° vægvinkelkrone-refspring og 45° vægvinkelindskæringsdele.

► Fig.29: 1. 52/38° type kronerefspring 2. 45° type kronerefspring 3. 45° type indskæringsdel

Der er krone- og indskæringsled, som er lavet til at passe "indvendige" 90° hjørner ((a) og (b) i figuren) og "udvendige" 90° hjørner ((c) og (d) i figuren).

► Fig.30: 1. Indvendigt hjørne 2. Udvendigt hjørne

► Fig.31: 1. Indvendigt hjørne 2. Udvendigt hjørne

Måling

Mål vægbredden, og juster bredden af arbejdsemnet i forhold til denne. Sørg altid for, at bredden af arbejdsemnets vægkontaktkant er den samme som væglængden.

► Fig.32: 1. Arbejdsemne 2. Vægbredde 3. Bredde af arbejdsemnet 4. Vægkontaktkant

Anvend altid flere stykker til prøveskæringer for at kontrollere savvinklerne.

Når De skærer kronerefspring og indskæringsdele, skal skråvinklen og geringsvinklen indstilles som indikeret i tabellen (A) og delene på topfladen af savpladen placeres som indikeret i tabellen (B).

Ved venstre skråsnit

► Fig.33: 1. Indvendigt hjørne 2. Udvendigt hjørne

Tabel (A)

-	Frem-springs-position i figuren	Skråvinkel		Geringvinkel	
		52/38° type	45° type	52/38° type	45° type
Til indvendigt hjørne	(a)	Venstre 33,9°	Venstre 30°	Højre 31,6°	Højre 35,3°
	(b)			Venstre 31,6°	Venstre 35,3°
Til udvendigt hjørne	(c)			Højre 31,6°	Højre 35,3°
	(d)				

Tabel (B)

-	Frem-springs-position i figuren	Frem-springs-kant mod anslaget	Færdiggjort stykke
Til indvendigt hjørne	(a)	Loftskontakt-kanten bør hvile mod anslaget.	Afsluttet stykke vil være på venstre side af klingens.
	(b)	Vægkontakt-kanten bør hvile mod anslaget.	
Til udvendigt hjørne	(c)		Afsluttet stykke vil være på højre side af klingens.
	(d)	Loftskontakt-kanten bør hvile mod anslaget.	

Eksempel:

I tilfælde af skæring af 52/38° type kronefremspring til stilling (a) i figuren ovenfor:

- Vip og fastgør skråvinkelindstillingen til 33,9° VENSTRE.
- Juster og fastgør geringsvinkelindstillingen til 31,6° HØJRE.
- Læg kronefremspringet med den brede bagside (skjult) nedad på drejeskiven med dens LOFTSKONTAKTKANT mod anslaget på saven.
- Det færdige stykke, som skal anvendes, vil altid være på den VENSTRE side af klingens, efter at skæringen er lavet.

Skæring af aluminiumekstrudering

- **Fig.34:** 1. Skruestik 2. Mellemblok 3. Anslag 4. Aluminiumekstrudering 5. Mellemblok

Ved fastgøring af aluminiumekstruderinger skal der benyttes mellemblokke eller stykker af affaldstræ som vist i figuren til at forhindre deformation af aluminiummet. Brug et skæresmøremiddel ved skæring af aluminiumekstruderingen for at forhindre, at der opsamles aluminiumsmateriale på klingens.

⚠FORSIGTIG: Forsøg aldrig at skære i tykke eller runde aluminiumekstruderinger. Tykke aluminiumekstruderinger kan rive sig løs under arbejdet, og runde aluminiumekstruderinger kan ikke fastgøres forsvarligt på denne maskine.

Træanlæg

⚠ADVARSEL: Anvend skruer til at fastgøre træanlægget på anslaget. Skruerne bør installeres således, at skruehovederne er under overfladen på træanlægget, således at de ikke kommer i vejen for det materiale, der skæres i. Hvis det materiale, der skæres i, ikke er rettet korrekt ind, kan det medføre uventet bevægelse under skæringen, hvilket kan resultere i, at De mister kontrollen med værktøjet med alvorlig personskaade til følge.

⚠FORSIGTIG: Anvend et lige stykke træ med ensartet tykkelse som træanlæg.

Anvendelse af træanlæg hjælper med til opnåelse af snit, der er fri for splinter. Fastgør et træanlæg til anslaget ved hjælp af hullerne i anslaget.

Se illustrationen angående målene for et foreslået træanlæg.

- **Fig.35:** 1. Huller

BEMÆRKNING: Når træanlægget er monteret, må De ikke dreje drejeskiven med håndtaget sænket. Klingens og/eller træanlægget vil i så fald lide skade.

BEMÆRK: Den største skærebredde reduceres med bredden af træanlægget.

Skæring af ensartede længder

Hvis flere stykker materiale skal skæres til den samme længde mellem 240 mm og 380 mm, skal De bruge indstillingspladen (ekstraudstyr). Monter indstillingspladen på holderen (ekstraudstyr) som vist på illustrationen.

- **Fig.36:** 1. Indstillingsplade 2. Holder 3. Skruer

Ret snitlinjen på arbejdsemnet ind efter enten den venstre eller højre side af slidsen i indlægspladen. Mens arbejdsemnet holdes fast, bringes indstillingspladen i flugt med enden af arbejdsemnet. Fastgør derefter indstillingspladen med skruen.

Når indstillingspladen ikke anvendes, løsnes skruen, og indstillingspladen drejes væk, så den ikke er i vejen.

BEMÆRK: Anvendelse af holderstangenheden (ekstraudstyr) muliggør savning af ensartede længder op til cirka 2.200 mm.

Transport af værktøjet

- **Fig.37:** 1. Stopstift

Kontroller, at maskinen ikke er sat i stikkontakten. Fastgør klingens ved en skråsnitvinkel på 0° og med drejeskiven i den fulde venstre geringsvinkel. Sænk håndtaget helt, og lås det i den nederste position ved at skubbe stopstiften ind.

Bær maskinen i bæregrebet som vist på illustrationen. Hvis du fjerner holderne, støvposen osv., bliver det nemmere at bære værktøjet.

- **Fig.38**

⚠FORSIGTIG: Fastgør altid alle bevægelige dele, før værktøjet transporteres.

⚠FORSIGTIG: Stopstiften er kun til transport- og opbevaringsformål og ikke til nogen form for skæring.

VEDLIGEHOELSE

⚠ADVARSEL: Sørg altid for, at klingens er skarp og ren, for at opnå det bedste resultat. Forsøg på at skære med en sløv og/eller snavset klinge kan medføre tilbageslag og resultere i alvorlig personskaade.

⚠FORSIGTIG: Kontrollér altid, at der er slukket for maskinen, og at netstikket er trukket ud, før der udføres eftersyn eller vedligeholdelse.

BEMÆRKNING: Anvend aldrig benzin, rensebenzin, fortynder, alkohol og lignende. Det kan medføre misfarvning, deformation eller revner.

Justering af skærevinklen

Dette værktøj er omhyggeligt indstillet og justeret på fabrikken, men indstillingerne kan ændre sig under transport og brug. De kan selv foretage indstillinger som beskrevet herunder, hvis værktøjet ikke er indstillet korrekt:

Geringsvinkel

► Fig.39: 1. Sekskantbolt

Løsn indstillingsgrebet, der holder drejeskiven. Drej drejeskiven, så viseren peger mod 0° på geringssskalaen. Stram indstillingsgrebet, og løsn sekskantboltene, der holder anslaget, med skruenøglen. Hvis viseren ikke peger mod 0° på geringssskalaen, skal du løsne skruen, der holder viseren, og flytte og fastgøre viserpladen, så viseren peger på 0° på geringssskalaen.

Sænk håndtaget helt, og lås det i den nederste position ved at skubbe stopstiften ind. Juster siden af klingens med siden af anslaget ved hjælp af en trekantslineal, anslagsvinkel osv. Fastspænd derefter sekskantboltene på anslaget i rækkefølge fra højre side.

► Fig.40: 1. Trekantslineal

Skråvinkel

0° skråvinkel

► Fig.41: 1. Justeringsbolt til 0° skråvinkel

Sænk håndtaget fuldstændigt, og lås det i den laveste position ved at skubbe stopstiften ind.

Løsn knoppen på bagsiden af maskinen.

Løsn sekskantmøtrikken, og drej justeringsbolten til 0° skråvinkel på højre side af drejeskiven to eller tre gange i retningen med uret for at vippe klingens mod højre.

Juster forsigtigt siden af klingens i forhold til den øverste flade af drejeskiven ved hjælp af en trekantslineal, anslagsvinkel osv. ved at dreje justeringsbolten til 0° skråvinkel i retningen mod uret. Stram derefter sekskantmøtrikken for at fastgøre justeringsbolten til 0° skråvinkel, og stram knoppen fast.

Sørg for, at viseren på armen peger på 0° på skråskalaen. Hvis viseren ikke peger mod 0° på skråskalaen, skal du løsne skruen, der holder viseren, og flytte og fastgøre viserpladen, så viseren peger på 0° på skråskalaen.

► Fig.42: 1. Trekantslineal 2. Savklinge 3. Overflade af drejeskiven

► Fig.43: 1. Viser

45° skråvinkel

► Fig.44: 1. Justeringsbolt til 45° skråvinkel 2. Viser

Indstil kun 45° skråvinklen efter først at have udført justeringen for 0° skråvinklen.

For at justere venstre 45° skråsnitsvinkel skal du løsne knoppen og vippe klingens helt mod venstre.

Sørg for, at viseren på armen peger på 45° på skråskalaen på armen.

Hvis viseren ikke peger på 45°, drejes justeringsbolten til 45° skråvinkel på venstre side af armen, indtil viseren peger på 45°.

Udskiftning af kulbørster

► Fig.45

Fjern og kontroller regelmæssigt kulbørsterne. Udskift dem, når de er slidt ned til 3 mm i længden. Hold kulbørsterne rene og fri til at glide i holderne. Begge kulbørster skal udskiftes samtidigt. Brug kun identiske kulbørster.

Brug en skruetrækker til at fjerne kulholderdækslerne. Tag de slidte kulbørster ud, indsæt de nye, og fastgør kulholderdækslerne.

► Fig.46: 1. Kulholderdæksel 2. Skruetrækker

Efter anvendelse

Efter anvendelse aftørres spåner eller støv, der måtte klæbe til værktøjet, med en klud eller lignende. Hold beskyttelsesskærmen ren som beskrevet i afsnittet "Beskyttelsesskærm". Smør de glidende dele på værktøjet med maskinolie for at forhindre rustdannelse.

For at opretholde produktets SIKKERHED og PÅLIDELIGHED må reparation, vedligeholdelse eller justering kun udføres af et autoriseret Makita servicecenter eller fabrikkervicecenter med anvendelse af Makita reservedele.

EKSTRAUDSTYR

⚠ FORSIGTIG: Det følgende tilbehør og ekstraudstyr er anbefalet til brug med Deres Makita maskine, der er beskrevet i denne brugsanvisning. Anvendelse af andet tilbehør eller ekstraudstyr kan udgøre en risiko for personskade. Anvend kun tilbehør og ekstraudstyr til det beskrevne formål.

Hvis De behøver hjælp ved valg af tilbehør eller ønsker yderligere informationer, bedes De kontakte Deres lokale Makita servicecenter.

- Stålsavklinger med karbidspids (Se vores websted, eller kontakt den lokale Makita-forhandler angående de korrekte savklinger, der skal bruges til det materiale, der skal skæres.)

BEMÆRK: Nogle ting på denne liste kan være inkluderet i værktøjss pakken som standardtilbehør. Det kan være forskellige fra land til land.

ΠΡΟΔΙΑΓΡΑΦΕΣ

Μοντέλο:		M2300
Διάμετρος λάμας		255 mm
Διάμετρος οπής	Για όλες τις χώρες εκτός Ευρώπης	25,4 mm ή 30 mm (ειδικό της χώρας)
	Για ευρωπαϊκές χώρες	30 mm
Μέγιστο πάχος εγκοπής της λάμας πριονιού		3,2 mm
Ταχύτητα χωρίς φορτίο		4.200 min ⁻¹
Διαστάσεις (Μ x Π x Υ)		610 mm x 485 mm x 515 mm
Καθαρό βάρος		13,8 kg
Κατηγορία ασφάλειας		▣/II






- Λόγω του συνεχόμενου προγράμματος που εφαρμόζουμε για έρευνα και ανάπτυξη, τα τεχνικά χαρακτηριστικά στο παρόν έντυπο υπόκεινται σε αλλαγή χωρίς προειδοποίηση.
- Τα τεχνικά χαρακτηριστικά μπορεί να διαφέρουν από χώρα σε χώρα.
- Βάρος σύμφωνα με διαδικασία EPTA 01/2014

Ικανότητα κοπής (Υ x Π) με λάμα 255 mm σε διάμετρο

Κωνική γωνία	Λοξή γωνία	
	0°	45° (αριστερά και δεξιά)
0°	75 mm x 130 mm	75 mm x 90 mm
45° (αριστερά)	48 mm x 120 mm	48 mm x 90 mm

Σύμβολα

Παρακάτω παρουσιάζονται τα σύμβολα που μπορούν να χρησιμοποιηθούν για τον εξοπλισμό. Βεβαιωθείτε ότι κατανοείτε τη σημασία τους πριν από τη χρήση.

	Διαβάστε το εγχειρίδιο οδηγιών.
	ΔΙΠΛΗ ΜΟΝΩΣΗ
	Για να αποφεύγετε τον τραυματισμό από εκτοξευόμενα θραύσματα, να κρατάτε την κεφαλή του πριονιού προς τα κάτω μετά την ολοκλήρωση των κοπών, έως ότου η λάμα ακινητοποιηθεί εντελώς.
	Μην πλησιάζετε τα χέρια και τα δάκτυλά σας κοντά στη λάμα.
	Να ρυθμίζετε πάντα το ΒΟΗΘΗΤΙΚΟ ΦΡΑΧΤΗ στην αριστερή θέση όταν πραγματοποιείτε αριστερές κωνικές κοπές. Εάν δεν το κάνετε αυτό, μπορεί να προκληθεί σοβαρός τραυματισμός στο χειριστή.



Μόνο για τις χώρες της ΕΕ
Λόγω της παρουσίας των επικίνδυνων συστατικών μερών στον εξοπλισμό, ο χρησιμοποιημένος ηλεκτρικός και ηλεκτρονικός εξοπλισμός μπορεί να έχει αρνητική επίδραση στο περιβάλλον και την ανθρώπινη υγεία. Μην απορρίπτετε τις ηλεκτρικές και ηλεκτρονικές συσκευές μαζί με τα οικιακά απορρίμματα!
Σύμφωνα με την Ευρωπαϊκή Οδηγία για τον απόβλητο ηλεκτρικό και ηλεκτρονικό εξοπλισμό, καθώς και την προσαρμογή της στην εθνική νομοθεσία, ο χρησιμοποιημένος ηλεκτρικός και ηλεκτρονικός εξοπλισμός θα πρέπει να συλλέγεται ξεχωριστά και να παραδίδεται σε ξεχωριστό σημείο συλλογής για δημοτικά απόβλητα, το οποίο λειτουργεί σύμφωνα με τους κανονισμούς προστασίας του περιβάλλοντος. Αυτό υποδεικνύεται από το σύμβολο του διαγραμμένου τροχοφόρου κάδου που βρίσκεται αναρτημένο επάνω στον εξοπλισμό.

Προοριζόμενη χρήση

Το εργαλείο προορίζεται για ευθείες και λοξές κοπές ακριβείας σε ξύλο. Με τις κατάλληλες λάμες πριονιού, μπορείτε να πριονίσετε και αλουμίνιο.

Ηλεκτρική παροχή

Το εργαλείο πρέπει να συνδέεται μόνο με ηλεκτρική παροχή της ίδιας τάσης με αυτή που αναγράφεται στην πινακίδα ονομαστικών τιμών και μπορεί να λειτουργήσει μόνο με εναλλασσόμενο μονοφασικό ρεύμα. Υπάρχει διπλή μόνωση και κατά συνέπεια, μπορεί να γίνει σύνδεση σε ακροδέκτες χωρίς σύρμα γείωσης.

Θόρυβος

Το τυπικό Α επίπεδο καταμετρημένου θορύβου καθορίζεται σύμφωνα με το EN62841-3-9:

Στάθμη ηχητικής πίεσης (L_{pA}): 89 dB (A)
Στάθμη ηχητικής ισχύος (L_{WA}): 102 dB (A)
Αβεβαιότητα (K): 3 dB (A)

ΠΑΡΑΤΗΡΗΣΗ: Η δηλωμένη τιμή(ές) εκπομπής θορύβου έχει μετρηθεί σύμφωνα με την πρότυπη μέθοδο δοκιμής και μπορεί να χρησιμοποιηθεί για τη σύγκριση ενός εργαλείου με κάποιο άλλο.

ΠΑΡΑΤΗΡΗΣΗ: Η δηλωμένη τιμή(ές) εκπομπής θορύβου μπορεί να χρησιμοποιηθεί και στην προκαταρκτική αξιολόγηση της έκθεσης.

▲ ΠΡΟΕΙΔΟΠΟΙΗΣΗ: Να φοράτε ωτοασπίδες.

▲ ΠΡΟΕΙΔΟΠΟΙΗΣΗ: Η εκπομπή θορύβου κατά τη χρήση του ηλεκτρικού εργαλείου σε πραγματικές συνθήκες μπορεί να διαφέρει από τη δηλωμένη τιμή(ές) ανάλογα με τους τρόπους χρήσης του εργαλείου, ιδιαίτερα το είδος του τεμαχίου εργασίας που υπόκειται επεξεργασία.

▲ ΠΡΟΕΙΔΟΠΟΙΗΣΗ: Φροντίστε να λάβετε τα κατάλληλα μέτρα προστασίας του χειριστή βάσει ενός υπολογισμού της έκθεσης σε πραγματικές συνθήκες χρήσης (λαμβάνοντας υπόψη όλες τις συνιστώσες του κύκλου λειτουργίας όπως τους χρόνους που το εργαλείο είναι εκτός λειτουργίας και όταν βρίσκεται σε αδρανή λειτουργία πέραν του χρόνου ενεργοποίησης).

Δήλωση συμμόρφωσης ΕΚ

Μόνο για χώρες της Ευρώπης

Η δήλωση συμμόρφωσης ΕΚ περιλαμβάνεται ως Παράρτημα Α στο παρόν εγχειρίδιο οδηγιών.

ΠΡΟΕΙΔΟΠΟΙΗΣΕΙΣ ΑΣΦΑΛΕΙΑΣ

Γενικές προειδοποιήσεις ασφαλείας για το ηλεκτρικό εργαλείο

▲ ΠΡΟΕΙΔΟΠΟΙΗΣΗ: Διαβάστε όλες τις προειδοποιήσεις ασφαλείας, οδηγίες, εικονογραφίες και προδιαγραφές που παρέχονται με αυτό το ηλεκτρικό εργαλείο. Η μη τήρηση όλων των οδηγιών που αναγράφονται κατωτέρω μπορεί να καταλήξει σε ηλεκτροπληξία, πυρκαγιά ή/και σοβαρό τραυματισμό.

Φυλάξτε όλες τις προειδοποιήσεις και τις οδηγίες για μελλοντική παραπομπή.

Στις προειδοποιήσεις, ο όρος «ηλεκτρικό εργαλείο» αναφέρεται σε ηλεκτρικό εργαλείο που τροφοδοτείται από την κύρια παροχή ηλεκτρικού ρεύματος (με ηλεκτρικό καλώδιο) ή σε ηλεκτρικό εργαλείο που τροφοδοτείται από μπαταρία (χωρίς ηλεκτρικό καλώδιο).

Οδηγίες ασφαλείας για πριόνια λοξότμησης

1. Τα πριόνια λοξότμησης προορίζονται για την κοπή ξύλου ή ξυλοειδών προϊόντων. Δεν μπορούν να χρησιμοποιηθούν με λειαντικούς τροχούς αποκοπής για την κοπή σιδηρούχων υλικών όπως μπάρες, ράβδους, στελέχη, κτλ. Η λειαντική σκόνη προκαλεί την εμπλοκή των κινούμενων μερών, όπως του κάτω προφυλακτήρα. Οι σπινθήρες από τη λειαντική κοπή θα κάψουν τον κάτω προφυλακτήρα, το ένθετο εγκοπής και άλλα πλαστικά μέρη.
2. Χρησιμοποιήστε συγκρατητήρες για να στηρίξετε το τεμάχιο εργασίας, όπου είναι εφικτό. Αν στηρίζετε το τεμάχιο εργασίας με το χέρι, πρέπει πάντα να έχετε το χέρι σας τουλάχιστον 100 mm από κάθε πλευρά της λάμας πριονιού. Μη χρησιμοποιείτε αυτό το πριόνι για να κόψετε κομμάτια που είναι πολύ μικρά για να συγκρατήσετε με ασφάλεια ή να κρατήσετε με το χέρι. Αν τοποθετήσετε το χέρι σας πολύ κοντά στη λάμα πριονιού, υπάρχει αυξημένος κίνδυνος τραυματισμός λόγω επαφής με τη λάμα.
3. Το τεμάχιο εργασίας πρέπει να είναι ακινητοποιημένο και να συγκρατείται ή να κρατείται επάνω στο φράχτη και τον πάγκο. Μην τροφοδοτείτε ποτέ το τεμάχιο εργασίας στη λάμα και μην κόβετε «με το χέρι». Τα τεμάχια εργασίας που δεν συγκρατούνται ή που κινούνται μπορούν να εκτοξευτούν με υψηλές ταχύτητες, προκαλώντας τραυματισμό.
4. Μην περνάτε ποτέ το χέρι σας πάνω από την ουδέτερη γραμμή κοπής, ούτε μπροστά ούτε πίσω από τη λάμα πριονιού. Είναι πολύ επικίνδυνο να στηρίζετε το τεμάχιο εργασίας με διασταυρωμένα χέρια, δηλαδή κρατάτε το τεμάχιο εργασίας στα δεξιά της λάμας πριονιού με το αριστερό χέρι σας, ή αντίστροφα.

► **Εικ.1**

5. Μη απλώνετε οποιοδήποτε χέρι πίσω από το φράχτη πιο κοντά από 100 mm από οποιαδήποτε πλευρά της λάμας πριονιού για να απομακρύνετε υπολείμματα ξύλου ή για οποιοδήποτε άλλο λόγο ενώ η λάμα περιστρέφεται. Η απόσταση της περιστρεφόμενης λάμας από το χέρι σας μπορεί να μην είναι προφανής και να τραυματιστείτε σοβαρά.
6. Επιθεωρήστε το τεμάχιο εργασίας σας πριν την κοπή. Αν το τεμάχιο εργασίας είναι καμπυλωμένο ή περιστραμμένο, συγκρατήστε το με την εξωτερική πρόσοψη της καμπύλης προς το φράχτη. Να βεβαιώνετε πάντα ότι δεν υπάρχει κενό μεταξύ του τεμαχίου εργασίας, του φράχτη και του πάγκου κατά μήκος της γραμμής κοπής. Τα λυγισμένα ή περιστραμμένα τεμάχια εργασίας μπορούν να συστραφούν ή να μετατοπιστούν, και μπορεί να εμπλακούν στην περιστρεφόμενη λάμα πριονιού κατά την κοπή. Δεν πρέπει να υπάρχουν καρφία ή ξένα αντικείμενα στο τεμάχιο εργασίας.
7. Μη χρησιμοποιείτε το πριόνι αν υπάρχουν εργαλεία, υπολείμματα ξύλου, κτλ. επάνω στον πάγκο, θα πρέπει να υπάρχει μόνο το τεμάχιο εργασίας. Τα υπολείμματα μικρού μεγέθους ή τα χαλαρά κομμάτια ξύλου ή άλλα αντικείμενα που μπορεί να έρθουν σε επαφή με την περιστρεφόμενη λάμα μπορεί να εκτοξευτούν με υψηλή ταχύτητα.

8. **Μην κόβετε ποτέ περισσότερα από ένα τεμάχια εργασίας ταυτόχρονα.** Τα πολλά στοιβαγμένα τεμάχια εργασίας δεν γίνεται να συγκρατηθούν ή να στηριχθούν σωστά και μπορεί να εμπλακούν στη λάμα ή να μετατοπιστούν κατά την κοπή.
 9. **Βεβαιωθείτε ότι το πριόνι λοξότμησης είναι σταθερωμένο ή τοποθετημένο σε μια επίπεδη, σταθερή επιφάνεια πριν τη χρήση.** Μια επίπεδη και σταθερή επιφάνεια εργασίας μειώνει τον κίνδυνο αστάθειας του πριονιού λοξότμησης.
 10. **Να προγραμμάτιζετε την εργασία σας. Κάθε φορά που αλλάζετε τη ρύθμιση της κωνικής γωνίας ή της λοξής γωνίας, να βεβαιώνετε ότι ο ρυθμιζόμενος φράχτης είναι σωστά ρυθμισμένος για να στηρίξει το τεμάχιο εργασίας καθώς και ότι δεν παρεμβάινει με τη λάμα ή το σύστημα προστασίας.** Χωρίς να ενεργοποιήσετε το εργαλείο και χωρίς τεμάχιο εργασίας στον πάγκο, μετακινήστε τη λάμα πριονιού σε μια ολοκληρωμένη προσομοιωμένη κοπή για να βεβαιωθείτε ότι δεν θα υπάρχει καμία παρεμβολή ή κίνδυνος κοπής του φράχτη.
 11. **Παράσχετε επαρκή στήριξη, όπως επεκτάσεις πάγκου, τρίποδα πριονίσματος, κτλ. για ένα τεμάχιο εργασίας με πλάτος ή μήκος μεγαλύτερο από την επιφάνεια του πάγκου.** Τα τεμάχια εργασίας που είναι μακρύτερα ή πλατύτερα από τον πάγκο του πριονιού λοξότμησης μπορούν να ανατραπούν αν δεν υποστηρίζονται με ασφάλεια. Αν το αποκομμένο κομμάτι ή το τεμάχιο εργασίας ανατραπεί, μπορεί να ανασκωθεί ο κάτω προφυλακτήρας ή να εκτοξευτεί από την περιστρεφόμενη λάμα.
 12. **Μη χρησιμοποιείτε κάποιο άλλο άτομο ως υποκατάστατο μιας επέκτασης πάγκου ή ως επιπρόσθετη στήριξη.** Η ασταθής στήριξη του τεμαχίου εργασίας μπορεί να προκαλέσει την εμπλοκή της λάμας ή τη μετατόπιση του τεμαχίου εργασίας κατά την εργασία κοπής, τραβώντας εσάς και το βοηθό μέσα στην περιστρεφόμενη λάμα.
 13. **Το αποκομμένο κομμάτι δεν πρέπει να εμπλακεί ή να πιεστεί με οποιονδήποτε τρόπο επάνω σε μια περιστρεφόμενη λάμα πριονιού.** Αν περιοριστεί, δηλ. με τη χρήση αναστολέων μήκους, το αποκομμένο κομμάτι μπορεί να σφηνώσει επάνω στη λάμα και να εκτοξευτεί βίαια.
 14. **Να χρησιμοποιείτε πάντα συγκρατητήρα ή μηχανισμό που έχει σχεδιαστεί για τη σωστή στήριξη στρογγυλεμένων υλικών όπως ράβδους ή σωληνώσεις.** Οι ράβδοι έχουν την τάση να κυλιούνται ενώ κβονονται, προκαλώντας την εμπλοκή της λάμας και το τράβηγμα του τεμαχίου εργασίας μαζί με το χέρι σας μέσα στη λάμα.
 15. **Αφήστε τη λάμα να αποκτήσει μέγιστη ταχύτητα πριν έρθει σε επαφή με το τεμάχιο εργασίας.** Έτσι θα μειωθεί ο κίνδυνος εκτόξευσης του τεμαχίου εργασίας.
 16. **Αν το τεμάχιο εργασίας ή η λάμα εμπλακεί, απενεργοποιήστε το πριόνι λοξότμησης.** Περιμένετε να ακινητοποιηθούν όλα τα κινούμενα μέρη και αποσυνδέστε το φιν από την πηγή τροφοδοσίας ή/και βγάλτε το πακέτο μπαταριών. Μετά, εργαστείτε για να ελευθερώσετε το υλικό που έχει εμπλακεί. Το συνεχιζόμενο πριόνισμα με τεμάχιο εργασίας που έχει εμπλακεί μπορεί να προκαλέσει την απώλεια ελέγχου ή ζημιά στο πριόνι λοξότμησης.
 17. **Αφού τελειώσετε την κοπή, αφήστε το διακόπτη, κρατήστε την κεφαλή πριονιού προς τα κάτω και περιμένετε να ακινητοποιηθεί η λάμα πριν αφαιρέσετε το αποκομμένο κομμάτι.** Είναι επικίνδυνο να τοποθετήσετε το χέρι σας κοντά σε λάμα που συνεχίζει να περιστρέφεται.
 18. **Κρατήστε τη λαβή σταθερά όταν εκτελείτε μια ατελή κοπή ή όταν αφήνετε το διακόπτη πριν η κεφαλή πριονιού βρεθεί πλήρως στην κάτω θέση.** Η ενέργεια πέδησης του πριονιού μπορεί να προκαλέσει το ξαφνικό τράβηγμα της κεφαλής πριονιού προς τα κάτω, προκαλώντας κίνδυνο τραυματισμού.
 19. **Χρησιμοποιείτε μόνο τη λάμα πριονιού με τη διάμετρο που είναι επισημασμένη στο εργαλείο ή που καθορίζεται στο εγχειρίδιο.** Η χρήση μιας λάμας λανθασμένου μεγέθους μπορεί να επηρεάσει τη σωστή προστασία της λάμας ή τη λειτουργία του προφυλακτήρα, γεγονός που μπορεί να έχει ως αποτέλεσμα σοβαρό προσωπικό τραυματισμό.
 20. **Να χρησιμοποιείτε μόνο λάμες πριονιού που είναι επισημασμένες με ταχύτητα ίση με ή υψηλότερη από την ταχύτητα που είναι επισημασμένη στο εργαλείο.**
 21. **Μη χρησιμοποιείτε το πριόνι για να κόψετε οποδήποτε άλλο εκτός από ξύλο, αλουμίνιο ή παρόμοια υλικά.**
 22. **(Για τις Ευρωπαϊκές χώρες μόνο)** Να χρησιμοποιείτε πάντα λάμα που συμμορφώνεται με το πρότυπο EN847-1.
- Επιπρόσθετες οδηγίες**
1. **Χρησιμοποιήστε Λουκέτα για να καταστήσετε το συνεργείο ασφαλές για παιδιά.**
 2. **Ποτέ μην στέκεστε πάνω στο εργαλείο.** Μπορεί να προκληθεί σοβαρός τραυματισμός αν το εργαλείο ανατραπεί ή αν αγγίξετε κατά λάθος το εργαλείο κοπής.
 3. **Μην αφήνετε ποτέ το εργαλείο σε λειτουργία αν δεν το προσέχετε.** Απενεργοποιήστε την ισχύ. Μην αφήσετε το εργαλείο μέχρι να ακινητοποιηθεί εντελώς.
 4. **Μη χειρίζεστε το εργαλείο χωρίς τους προφυλακτήρες στη θέση τους.** Ελέγξτε τον προφυλακτήρα λάμας για κανονικό κλείσιμο πριν από κάθε χρήση. Μη θέτετε το πριόνι σε λειτουργία αν ο προφυλακτήρας λάμας δεν κινείται ελεύθερα και δεν κλείνει αμέσως. Ποτέ μη σφίξετε ή δέσετε τον προφυλακτήρα λάμας στη θέση ανοίγματος.
 5. **Κρατάτε τα χέρια μακριά από την τροχιά της λάμας πριονιού.** Αποφύγετε επαφή και με λάμες μικρής ταχύτητας. Μπορεί επίσης να προκαλέσουν σοβαρό τραυματισμό.
 6. **Να ασφαρίζετε πάντα όλα τα κινούμενα μέρηματα πριν μεταφέρετε το εργαλείο.**
 7. **Ο ανασταλτικός πέτρος που κλειδώνει την κεφαλή του κόπτη κάτω είναι μόνο για τον σκοπό μεταφοράς και αποθήκευσης και όχι για λειτουργίες κοπής.**
 8. **Πριν από τη λειτουργία, να ελέγχετε προσεκτικά τη λάμα για ραγίσματα ή ζημιά.** Να αντικαθιστάτε αμέσως ραγισμένη ή κατεστραμμένη λάμα. Η κόλλα και τα πριονίσματα ξύλου που έχουν ξεραθεί επάνω στις λάμες επιβραδύνουν το πριόνι και αυξάνουν την πιθανότητα κλοστήματος. Διατηρείτε τη λάμα καθαρή αφού πρώτα τη βγάλετε από το εργαλείο και μετά την καθαρίσετε με καθαριστικό για κόλλα και πριονίσματα, ζεστό νερό ή κηροζίνη. Μην χρησιμοποιείτε ποτέ βενζίνη για να καθαρίσετε τη λάμα.

9. Χρησιμοποιείτε μόνο τις ειδικές φλάντζες για το εργαλείο αυτό.
10. Προσέξτε να μη κάνετε ζημιά στην άτρακτο, στις φλάντζες (ειδικά στην επιφάνεια εγκατάστασης) ή στο μπουλόνι. Ζημιά στα εξαρτήματα αυτά μπορεί να προκαλέσει σπάσιμο της λάμας.
11. Να βεβαιώνετε ότι η περιστροφική βάση είναι κατάλληλα ασφαλισμένη, ώστε να μη μετακινηθεί κατά τη λειτουργία. Χρησιμοποιήστε τις οπές στη βάση για να στερεώσετε το πριόνι σε μια σταθερή πλατφόρμα εργασίας ή πάγκο. Μη χρησιμοποιείτε ΠΟΤΕ εργαλείο όταν η στάση του χειριστή μπορεί να είναι αδέξια.
12. Να βεβαιώνετε ότι η ασφάλιση άξονα είναι ελεύθερη πριν ενεργοποιήσετε τον διακόπτη.
13. Να βεβαιώνετε ότι η λάμα δεν αγγίζει την περιστροφική βάση στην κατώτατη θέση.
14. Να κρατάτε σταθερά τη λαβή. Έχετε υπόψη σας ότι το πριόνι κινείται πάνω και κάτω ελαφρά κατά το ξεκίνημα και το σταμάτημα.
15. Να βεβαιώνετε ότι η λάμα δεν αγγίζει το τεμάχιο εργασίας πριν την ενεργοποίηση του διακόπτη.
16. Πριν χρησιμοποιήσετε το εργαλείο στο πραγματικό τεμάχιο εργασίας, αφήστε το να τρέξει για λίγο. Παρακολουθήστε το για κραδασμούς ή ταλαντεύσεις που μπορεί να δείχνουν κακή τοποθέτηση ή κακή ισοζύγηση λάμας.
17. Σταματήστε αμέσως τη λειτουργία εάν παρατηρήσετε κάτι αφύσικο.
18. Μην προσπαθήσετε να κλειδώσετε τη σκανδάλη στη θέση «ΕΝΕΡΓΟΠΟΙΗΣΗΣ».
19. Να χρησιμοποιείτε πάντα τα ανταλλακτικά που συνιστώνται στο εγχειρίδιο αυτό. Η χρήση ακατάλληλων ανταλλακτικών όπως λιπαντικών τροχών μπορεί να προκαλέσει τραυματισμό.
20. Μερικά υλικά περιέχουν χημικά που μπορεί να είναι τοξικά. Να προσέχετε ώστε να αποφεύγετε την εισπνοή σκόνης και την επαφή με το δέρμα. Να ακολουθείτε τα δεδομένα ασφάλειας του προμηθευτή υλικού.

Πρόσθετοι κανόνες ασφάλειας για το λείζερ

1. ΑΚΤΙΝΟΒΟΛΙΑ ΛΕΙΖΕΡ, ΜΗΝ ΚΟΙΤΑΤΕ ΜΕΣΑ ΣΤΗ ΔΕΣΜΗ ΚΑΙ ΜΗΝ ΠΡΟΒΑΛΕΤΕ ΚΑΤΕΥΘΕΙΑΝ ΜΕ ΟΠΤΙΚΑ ΟΡΓΑΝΑ, ΠΡΟΪΟΝ ΛΕΙΖΕΡ ΤΑΞΗΣ 2Μ.

ΦΥΛΑΞΕΤΕ ΑΥΤΕΣ ΤΙΣ ΟΔΗΓΙΕΣ.

▲ΠΡΟΕΙΔΟΠΟΙΗΣΗ: ΜΗΝ επιτρέψετε στην άνεση ή στην εξοικείωσή σας με το προϊόν (που αποκτήθηκε από επανειλημμένη χρήση) να αντικαταστήσει την αυστηρή τήρηση των κανόνων ασφαλείας του παρόντος εργαλείου. Η **ΛΑΝΘΑΣΜΕΝΗ ΧΡΗΣΗ** ή η αμέλεια να ακολουθήσετε τους κανόνες ασφαλείας που διατυπώνονται στο παρόν εγχειρίδιο οδηγιών μπορεί να προκαλέσει σοβαρό προσωπικό τραυματισμό.

ΤΟΠΟΘΕΤΗΣΗ

Κατά την αποστολή του εργαλείου, η λαβή είναι κλειδωμένη στη χαμηλωμένη θέση με τον ανασταλτικό πείρο. Χαλαρώστε το μπουλόνι με το κλειδί που παρέχεται με το εργαλείο και μετακινήστε την κεφαλή πριονιού στην ορθή γωνία. Αφαιρέστε το μπουλόνι και ασφαλίστε την κεφαλή πριονιού με το κομβίο.

- ▶ **Εικ.2:** 1. Κλειδί
- ▶ **Εικ.3:** 1. Κομβίο

Τοποθέτηση βοηθητικής πλάκας

Τοποθετήστε τη βοηθητική πλάκα χρησιμοποιώντας την οπή στη βάση του εργαλείου και ασφαλίστε τη σφιγγοντας τη βίδα.

- ▶ **Εικ.4:** 1. Βοηθητική πλάκα 2. Βίδα 3. Βάση

Στερέωση στον πάγκο

Κατά την αποστολή του εργαλείου, η λαβή είναι κλειδωμένη στη χαμηλωμένη θέση με τον ανασταλτικό πείρο. Ελευθερώστε τον ανασταλτικό πείρο χαμηλώνοντας λίγο τη λαβή και τραβώντας τον ανασταλτικό πείρο.

- ▶ **Εικ.5:** 1. Ανασταλτικός πείρος

Το εργαλείο αυτό πρέπει να είναι βιδωμένο με τέσσερα μπουλόνια σε μια επίπεδη και σταθερή επιφάνεια χρησιμοποιώντας τις οπές για μπουλόνια που παρέχονται στη βάση του εργαλείου. Αυτό θα βοηθήσει στην αποφυγή ανατροπής και πιθανού τραυματισμού.

- ▶ **Εικ.6:** 1. Μπουλόνι

ΠΕΡΙΓΡΑΦΗ ΛΕΙΤΟΥΡΓΙΑΣ

▲ΠΡΟΣΟΧΗ: Να βεβαιώνετε πάντα ότι το εργαλείο είναι σβηστό και αποσυνδεδεμένο από την ηλεκτρική παροχή πριν ρυθμίσετε ή ελέγχετε κάποια λειτουργία του.

Προφυλακτήρας λάμας

- ▶ **Εικ.7:** 1. Προφυλακτήρας λάμας

Όταν χαμηλώνετε τη λαβή, ο προφυλακτήρας λάμας ανυψώνεται αυτόματα. Ο προφυλακτήρας έχει ελατήρια ώστε να επιστρέφει στην αρχική του θέση όταν η κοπή έχει συμπληρωθεί και η λαβή έχει ανυψωθεί. ΜΗΝ ΠΑΡΑΒΙΑΖΕΤΕ ΚΑΙ ΜΗΝ ΑΦΑΙΡΕΙΤΕ ΠΟΤΕ ΤΟΝ ΠΡΟΦΥΛΑΚΤΗΡΑ ΛΑΜΑΣ Ή ΤΟ ΕΛΑΤΗΡΙΟ ΠΟΥ ΣΥΝΔΕΕΤΑΙ ΜΕ ΤΟΝ ΠΡΟΦΥΛΑΚΤΗΡΑ.

Για την προσωπική σας ασφάλεια, να διατηρείτε πάντα τον προφυλακτήρα λάμας σε καλή κατάσταση. Οποιαδήποτε ακανόνιστη λειτουργία του προφυλακτήρα λάμας θα πρέπει να διορθωθεί αμέσως. Ελέγξτε να βεβαιωθείτε για τη δράση του ελατηρίου επαναφοράς του προφυλακτήρα. ΜΗ ΧΡΗΣΙΜΟΠΟΙΕΙΤΕ ΠΟΤΕ ΤΟ ΕΡΓΑΛΕΙΟ ΑΝ Ο ΠΡΟΦΥΛΑΚΤΗΡΑΣ ΛΑΜΑΣ Ή ΤΟ ΕΛΑΤΗΡΙΟ ΠΑΡΟΥΣΙΑΖΕΙ ΖΗΜΙΑ, ΒΛΑΒΗ Ή ΕΧΕΙ ΑΦΑΙΡΕΘΕΙ. ΕΙΝΑΙ ΠΟΛΥ ΕΠΙΚΙΝΔΥΝΟ ΝΑ ΤΟ ΚΑΝΕΤΕ ΑΥΤΟ ΚΑΙ ΜΠΟΡΕΙ ΝΑ ΠΡΟΚΛΗΘΕΙ ΣΟΒΑΡΟΣ ΠΡΟΣΩΠΙΚΟΣ ΤΡΑΥΜΑΤΙΣΜΟΣ.

Αν συσσωρευτούν ακαθαρσίες στο διάφανο προφυλακτήρα λάμας, ή έχει προσκολληθεί πριονίδι ώστε να μην είναι πλέον ορατή η λάμα ή/και το τεμάχιο εργασίας, αποσυνδέστε το πριόνι από την παροχή ρεύματος και καθαρίστε τον προφυλακτήρα προσεκτικά με ένα υγρό πανί. Μην χρησιμοποιείτε διαλύτες ή καθαριστικά με βάση το πετρέλαιο στον πλαστικό προφυλακτήρα.

Αν ο προφυλακτήρας λάμας είναι ιδιαίτερα βρόμικος και η ορατότητα μέσα από τον προφυλακτήρα είναι μειωμένη, χρησιμοποιήστε το παρεχόμενο κλειδί για να χαλαρώσετε το εξαγωνικό μπουλόνι κρατώντας το κάλυμμα κέντρου. Χαλαρώστε το εξαγωνικό μπουλόνι περιστρέφοντάς το αριστερόστροφα και σηκώστε τον προφυλακτήρα λάμας και το κάλυμμα κέντρου. Με τον προφυλακτήρα λάμας σε αυτή τη θέση, μπορείτε να επιτύχετε πιο ολοκληρωμένο και αποδοτικό καθαρισμό. Όταν ο καθαρισμός ολοκληρωθεί, ακολουθήστε την ανωτέρω διαδικασία με αντίστροφη σειρά και ασφαλίστε το μπουλόνι. Μην αφαιρέσετε τον ελατριούχο προφυλακτήρα λάμας. Αν ο προφυλακτήρας αποχρωματιστεί λόγω φθοράς ή έκθεσης σε ακτινοβολία UV, απευθυνθείτε σε κάποιο κέντρο σέρβις της Makita για έναν καινούριο προφυλακτήρα. ΜΗΝ ΠΑΡΑΚΑΜΨΕΤΕ ΚΑΙ ΜΗΝ ΑΦΑΙΡΕΣΕΤΕ ΤΟΝ ΠΡΟΦΥΛΑΚΤΗΡΑ.

► **Εικ.8:** 1. Προφυλακτήρας λάμας

Σανίδα εγκοπής

Αυτό το εργαλείο είναι εφοδιασμένο με σανίδα εγκοπής στην περιστροφική βάση του για να ελαχιστοποιεί το σχίσμο στην πλευρά εξόδου μιας κοπής. Αν το αυλάκι σανίδας δεν έχει κοπεί στη σανίδα εγκοπής εργοστασιακά, θα πρέπει να κόψετε εσείς το αυλάκι πριν χρησιμοποιήσετε το εργαλείο για την κοπή ενός τεμαχίου εργασίας. Ενεργοποιήστε το εργαλείο και χαμηλώστε σιγά τη λάμα για να κόψετε ένα αυλάκι στη σανίδα εγκοπής.

► **Εικ.9:** 1. Σανίδα εγκοπής

Διατήρηση της μέγιστης ικανότητας κοπής

Αυτό το εργαλείο είναι εργοστασιακά ρυθμισμένο για να παρέχει τη μέγιστη ικανότητα κοπής για μια λάμα πριονιού 255 mm.

Όταν τοποθετείτε μια νέα λάμα, να ελέγχετε πάντα την κάτω οριακή θέση της λάμας, και αν είναι απαραίτητο, ρυθμίστε ως εξής:

Πρώτα, αποσυνδέστε το εργαλείο από το ηλεκτρικό ρεύμα. Χαμηλώστε εντελώς τη λαβή. Χρησιμοποιήστε το κλειδί για να περιστρέψετε το ρυθμιστικό μπουλόνι μέχρι η περιφέρεια της λάμας να επεκτείνεται λίγο κάτω από την άνω επιφάνεια της περιστροφικής βάσης στο σημείο όπου η μπροστινή πρόσοψη του φράχτη οδηγού συναντήσει την άνω επιφάνεια της περιστροφικής βάσης.

► **Εικ.10:** 1. Ρυθμιστικό μπουλόνι

Με το εργαλείο αποσυνδεδεμένο από την ηλεκτρική παροχή, περιστρέψτε τη λάμα με το χέρι ενώ κρατάτε τη λαβή τέρμα κάτω για να βεβαιωθείτε ότι η λάμα δεν έρχεται σε επαφή με κανένα τμήμα της κάτω βάσης. Επαναρρυθμίστε ελαφρά, αν είναι απαραίτητο.

► **Εικ.11:** 1. Άνω επιφάνεια της περιστροφικής βάσης
2. Περιφέρεια της λάμας
3. Φράχτης οδηγός

▲ΠΡΟΣΟΧΗ: Μετά από την τοποθέτηση νέας λάμας, φροντίστε κάθε φορά ώστε η λάμα να μην έρχεται σε επαφή με οποιοδήποτε μέρος της κάτω βάσης όταν χαμηλώνετε πλήρως τη λαβή. Η ενέργεια αυτή πρέπει να γίνεται πάντα με το εργαλείο αποσυνδεδεμένο από την ηλεκτρική παροχή.

Ρύθμιση της λοξής γωνίας

► **Εικ.12:** 1. Μοχλός ασφάλισης 2. Λαβή

Χαλαρώστε τη λαβή περιστρέφοντάς την αριστερόστροφα. Περιστρέψτε την περιστροφική βάση ενώ πιέζετε κάτω το μοχλό ασφάλισης. Όταν έχετε μετακινήσει τη λαβή στη θέση όπου ο δείκτης είναι στραμμένος στην επιθυμητή γωνία στη λοξή κλίμακα, σφίξτε με ασφάλεια τη λαβή δεξιόστροφα.

▲ΠΡΟΣΟΧΗ: Όταν γυρίζετε την περιστροφική βάση, να βεβαιώνετε ότι ανυψώνετε τη λαβή εντελώς.

▲ΠΡΟΣΟΧΗ: Αφού αλλάξετε τη λοξή γωνία, πάντοτε να ασφαλίσετε την περιστροφική βάση σφίγγοντας τη λαβή σταθερά.

Ρύθμιση της κωνικής γωνίας

► **Εικ.13:** 1. Κομβίο

Για να ρυθμίσετε τη γωνία λοξότμησης, χαλαρώστε το κομβίο στο πίσω μέρος του εργαλείου αριστερόστροφα.

► **Εικ.14:** 1. Δείκτης

Στρώστε τη λαβή προς τα αριστερά για να δώσετε κλίση στη λάμα πριονιού μέχρι ο δείκτης να είναι στραμμένος στην επιθυμητή γωνία στην κλίμακα λοξότμησης. Μετά σφίξτε το κομβίο σταθερά δεξιόστροφα να ασφαλίσετε τον βραχίονα.

▲ΠΡΟΣΟΧΗ: Όταν δίνετε κλίση στη λάμα πριονιού, να βεβαιώνετε ότι ανυψώνετε τη λαβή εντελώς.

▲ΠΡΟΣΟΧΗ: Αφού αλλάξετε την κωνική γωνία, πάντοτε να ασφαλίσετε το βραχίονα σφίγγοντας το μοχλό δεξιόστροφα.

Δράση διακόπτη

▲ΠΡΟΕΙΔΟΠΟΙΗΣΗ: Πριν από τη σύνδεση του εργαλείου στην ηλεκτρική παροχή, να ελέγχετε πάντα ότι η σκανδάλη διακόπτης ενεργοποιείται σωστά και επιστρέφει στην ανενεργή θέση «ANENERGO» όταν την αφήνετε. Η λειτουργία ενός εργαλείου με διακόπτη ο οποίος δεν ενεργοποιείται κατάλληλα μπορεί να οδηγήσει σε απώλεια ελέγχου και σοβαρό προσωπικό τραυματισμό.

▲ΠΡΟΕΙΔΟΠΟΙΗΣΗ: Μη χρησιμοποιείτε ΠΟΤΕ εργαλείο χωρίς πλήρως λειτουργική σκανδάλη διακόπτη. Οποιοδήποτε εργαλείο με διακόπτη εκτός λειτουργίας είναι ΕΞΑΙΡΕΤΙΚΑ ΕΠΙΚΙΝΔΥΝΟ και απαιτείται η επισκευή του πριν από περαιτέρω χρήση, διαφορετικά μπορεί να προκληθεί σοβαρός προσωπικός τραυματισμός.

► **Εικ.15:** 1. Σκανδάλη διακόπτης 2. Κουμπί κλειδώματος

Για να εμποδίσει το τυχαίο τράβηγμα της σκανδάλης διακόπτη, υπάρχει ένα κουμπί κλειδώματος. Για να ξεκινήσει το εργαλείο, πατήστε μέσα το κουμπί κλειδώματος και πατήστε τη σκανδάλη διακόπτη. Ελευθερώστε τη σκανδάλη διακόπτη για να σταματήσει.

ΣΥΝΑΡΜΟΛΟΓΗΣΗ

▲ ΠΡΟΣΟΧΗ: Να βεβαιώνετε πάντα ότι το εργαλείο είναι σθηστό και αποσυνδεδεμένο από την ηλεκτρική παροχή πριν εκτελέσετε οποιαδήποτε εργασία σε αυτό.

Τοποθέτηση ή αφαίρεση της λάμας πριονιού

▲ ΠΡΟΣΟΧΗ: Να βεβαιώνετε πάντα ότι το εργαλείο είναι σθηστό και αποσυνδεδεμένο από την ηλεκτρική παροχή πριν τοποθετήσετε ή αφαιρέσετε τη λάμα.

▲ ΠΡΟΣΟΧΗ: Να χρησιμοποιείτε μόνο το παρεχόμενο κλειδί Makita για να τοποθετήσετε ή να αφαιρέσετε τη λάμα. Αν δεν το κάνετε αυτό, μπορεί να σφίξετε υπερβολικά ή να μη σφίξετε αρκετά το εξαγωνικό μπουλόνι. Αυτό μπορεί να προκαλέσει τραυματισμό.

Όταν αφαιρείτε ή τοποθετείτε τη λάμα, να φροντίζετε ώστε η λαβή να είναι στην ανυψωμένη θέση.

Για να αφαιρέσετε τη λάμα, χρησιμοποιήστε το κλειδί για να χαλαρώσετε το εξαγωνικό μπουλόνι κρατώντας το κάλυμμα κέντρου και γυρίζοντας το αριστερόστροφο. Σηκώστε τον προφυλακτήρα λάμας και το κάλυμμα κέντρου.

► **Εικ.16:** 1. Κλειδί 2. Κάλυμμα κέντρου

► **Εικ.17:** 1. Εξαγωνικό μπουλόνι

Πατήστε την ασφάλιση άξονα για να κλειδώσετε τον αξονίσκο και χρησιμοποιήστε το κλειδί για να χαλαρώσετε το εξαγωνικό μπουλόνι δεξιόστροφα. Κατόπιν, αφαιρέστε το εξαγωνικό μπουλόνι, την εξωτερική φλάντζα και τη λάμα.

► **Εικ.18:** 1. Εξαγωνικό μπουλόνι 2. Κλειδί

Για να τοποθετήσετε τη λάμα, στερεώστε την προσεκτικά επάνω στον αξονίσκο, φροντίζοντας η κατεύθυνση του βέλους στην επιφάνεια της λάμας να ταιριάζει με την κατεύθυνση του βέλους στη θήκη λάμας.

► **Εικ.19:** 1. Θήκη λάμας 2. Βέλος 3. Βέλος 4. Λάμα πριονιού

Τοποθετήστε την εξωτερική φλάντζα και το εξαγωνικό μπουλόνι, και μετά χρησιμοποιήστε το κλειδί για να σφίξετε το εξαγωνικό μπουλόνι (αριστερόστροφο σπείρωμα) με ασφάλεια αριστερόστροφα ενώ πιέζετε την ασφάλεια άξονα.

► **Εικ.20:** 1. Αξονίσκος 2. Φλάντζα 3. Λάμα πριονιού 4. Φλάντζα 5. Εξαγωνικό μπουλόνι 6. Δακτύλιος

▲ ΠΡΟΣΟΧΗ: Ο δακτύλιος με εξωτερική διάμετρο 25,4 mm ή 30 mm είναι εργοστασιακά τοποθετημένος πάνω στον αξονίσκο. Πριν στερεώσετε τη λάμα πάνω στον αξονίσκο, να βεβαιώνετε πάντα ότι ο σωστός δακτύλιος για την οπή στελέχους της λάμας που σκοπεύετε να χρησιμοποιήσετε είναι τοποθετημένος στον αξονίσκο.

Επαναφέρετε τον προφυλακτήρα λάμας και κάλυμμα κέντρου στην αρχική τους θέση. Μετά, σφίξτε το εξαγωνικό μπουλόνι δεξιόστροφα για να ασφαλίσετε το κάλυμμα κέντρου. Χαμηλώστε τη λαβή για να βεβαιωθείτε ότι ο προφυλακτήρας λάμας κινείται σωστά. Βεβαιωθείτε ότι η ασφάλιση άξονα έχει ελευθερώσει τον αξονίσκο πριν κάνετε την κοπή.

Βοηθητικός φράκτης

Ειδικό της χώρας

▲ ΠΡΟΕΙΔΟΠΟΙΗΣΗ: Όταν εκτελείτε αριστερές κωνικές κοπές, αναστρέψτε το βοηθητικό φράχτη προς τα έξω. Διαφορετικά, μπορεί να έρθει σε επαφή με τη λάμα ή μέρος του εργαλείου και να έχει ως αποτέλεσμα σοβαρό τραυματισμό στο χειριστή.

► **Εικ.21:** 1. Βοηθητικός φράκτης

Το εργαλείο αυτό είναι εξοπλισμένο με βοηθητικό φράκτη. Ο βοηθητικός φράκτης συνήθως τοποθετείται στο εσωτερικό. Ωστόσο, όταν εκτελείτε αριστερές κωνικές κοπές, αναστρέψτε τον προς τα έξω.

Σύνδεση με ηλεκτρική σκούπα

Όταν θέλετε να εκτελέσετε κοπές καθαρά, συνδέστε την ηλεκτρική σκούπα της Makita.

► **Εικ.22**

Σάκος σκόνης

► **Εικ.23:** 1. Σάκος σκόνης

► **Εικ.24:** 1. Προσοδότηρας

Η χρήση του σάκου σκόνης καθιστά καθαρές τις λειτουργίες κοπής και εύκολη τη συλλογή της σκόνης. Για να προσαρμόσετε τον σάκο σκόνης, εφαρμόστε τον πάνω στο στόμιο σκόνης.

Όταν ο σάκος σκόνης είναι περίπου μισογεμάτος, αφαιρέστε τον σάκο σκόνης από το εργαλείο και τραβήξτε τον προσοδότηρα έξω. Αδειάστε τον σάκο σκόνης από τα περιεχόμενά του, χτυπήστε τον ελαφρά έτσι ώστε να αφαιρεθούν τα σωματίδια που είναι κολλημένα από μέσα και μπορεί να εμποδίζουν την περαιτέρω συλλογή.

Ασφάλιση του τεμαχίου εργασίας

▲ ΠΡΟΕΙΔΟΠΟΙΗΣΗ: Είναι εξαιρετικά σημαντικό να ασφαλίσετε πάντα το τεμάχιο εργασίας σωστά και σφιχτά με τη μέγγεννη. Αν δεν το κάνετε αυτό, μπορεί να προκληθεί ζημιά στο εργαλείο ή/και να καταστραφεί το τεμάχιο εργασίας. ΜΠΟΡΕΙ ΝΑ ΠΡΟΚΛΗΘΕΙ ΚΑΙ ΠΡΟΣΩΠΙΚΟΣ ΤΡΑΥΜΑΤΙΣΜΟΣ. Επίσης, μετά το πέρας μιας λειτουργίας κοπής, ΜΗΝ ανυψώσετε τη λάμα αν η λάμα δεν έχει ακινητοποιηθεί πλήρως.

▲ ΠΡΟΣΟΧΗ: Όταν κόβετε μακριά τεμάχια εργασίας, να χρησιμοποιείτε στηρίγματα που είναι τόσο ψηλά όσο το επίπεδο της επιφάνειας εργασίας της περιστροφικής βάσης. Μη βασίζεστε αποκλειστικά στην κάθετη ή/και οριζόντια μέγγεννη για να ασφαλίσετε το τεμάχιο εργασίας. Τα λεπτά υλικά έχουν την τάση να λυγίζουν. Να υποστηρίξετε το τεμάχιο εργασίας σε ολόκληρο το μήκος του για να αποφύγετε το τσίμπημα της λάμας και πιθανό ΚΛΟΤΣΗΜΑ.

► **Εικ.25:** 1. Υποστήριξη 2. Περιστροφική βάση

Κάθετη μέγγενη

► **Εικ.26:** 1. Κουμπί μέγγενης 2. Βίδα 3. Βραχίονας μέγγενης 4. Ράβδος μέγγενης

Η κάθετη μέγγενη μπορεί να τοποθετηθεί σε δύο θέσεις, είτε στην αριστερή είτε στη δεξιά πλευρά του φράχτη οδηγού. Βάλτε τη ράβδο μέγγενης μέσα στην οπή του φράχτη οδηγού και σφίξτε τη βίδα για να ασφαλίσετε τη ράβδο μέγγενης. Τοποθετήστε τον βραχίονα της μέγγενης ανάλογα με το πάχος και το σχήμα του τεμαχίου εργασίας και ασφαλίστε τον βραχίονα της μέγγενης σφίγγοντας τη βίδα. Βεβαιωθείτε ότι κανένα μέρος του εργαλείου δεν έχει έρθει σε επαφή με τη μέγγενη όταν χαμηλώνετε εντελώς τη λαβή. Αν κάποιο μέρος έχει έρθει σε επαφή, επανατοποθετήστε την μέγγενη. Πιέστε το τεμάχιο εργασίας επίπεδα επί του φράχτη οδηγού και της περιστροφικής βάσης. Τοποθετήστε το τεμάχιο εργασίας στην επιθυμητή θέση κοπής και ασφαλίστε το σταθερά σφίγγοντας το κουμπί της μέγγενης.

▲ΠΡΟΣΟΧΗ: Το τεμάχιο εργασίας πρέπει να ασφαρίζεται σταθερά στην περιστροφική βάση και στο φράχτη οδηγό με την μέγγενη κατά τη διάρκεια όλων των εργασιών.

ΛΕΙΤΟΥΡΓΙΑ

▲ΠΡΟΣΟΧΗ: Πριν από τη χρήση, να βεβαιώνετε ότι ελευθερώνετε τη λαβή από τη χαμηλωμένη θέση σπρώχνοντας τον ανασταλτικό πείρο.

▲ΠΡΟΣΟΧΗ: Βεβαιωθείτε ότι η λάμα δεν έχει έρθει σε επαφή με το τεμάχιο εργασίας, κτλ., πριν ενεργοποιήσετε το εργαλείο.

▲ΠΡΟΣΟΧΗ: Μην εφαρμόζετε υπερβολική πίεση στη λαβή όταν κόβετε. Η υπερβολική δύναμη μπορεί να έχει ως αποτέλεσμα υπερφόρτωση του κινητήρα ή/και μειωμένη επάρκεια κοπής. Πιέστε τη λαβή μόνο με όση δύναμη είναι απαραίτητη για απαλή κοπή και χωρίς σημαντική μείωση στην ταχύτητα της λάμας.

▲ΠΡΟΣΟΧΗ: Πιέστε προς τα κάτω απαλά τη λαβή για να πραγματοποιήσετε την κοπή. Εάν η λαβή πιεστεί κάτω με δύναμη ή εάν εφαρμοστεί πλευρική δύναμη, η λάμα θα δονείται και θα αφήσει κάποιο σημάδι (σημάδι πριονιού) στο τεμάχιο εργασίας και η ακρίβεια της κοπής θα ελαττωθεί.

▲ΠΡΟΣΟΧΗ: Μην αφήσετε την κεφαλή πριονιού χωρίς έλεγχο από την τέρμα κάτω θέση. Μια κεφαλή πριονιού χωρίς έλεγχο μπορεί να σας χτυπήσει και θα έχει ως αποτέλεσμα προσωπικό τραυματισμό.

Κοπή πίεσης

► **Εικ.27:** 1. Κάθετη μέγγενη

Ασφαλίστε το τεμάχιο εργασίας με τη μέγγενη. Ανάψτε το εργαλείο χωρίς η λάμα να έρχεται σε επαφή καμιά επαφή και περιμένετε μέχρι η λάμα να αποκτήσει πλήρη ταχύτητα πριν τη χαμηλώσετε. Μετά, χαμηλώστε απαλά τη λαβή στην κατώτερη δυνατή θέση για να κόψετε το τεμάχιο εργασίας. Όταν ολοκληρωθεί η κοπή, σβήστε το εργαλείο και ΠΕΡΙΜΕΝΕΤΕ ΜΕΧΡΙ Η ΛΑΜΑ ΝΑ ΑΚΙΝΗΤΟΠΟΙΗΘΕΙ ΤΕΛΕΙΩΣ πριν επιστρέψετε τη λάμα στην πλήρως ανυψωμένη θέση της.

Λοξή κοπή

Ανατρέξτε στην ενότητα για τη ρύθμιση της λοξής γωνίας.

Κωνική κοπή

► **Εικ.28**

Χαλαρώστε το κομβίο και δώστε κλίση στη λάμα πριονιού για να ρυθμίσετε τη γωνία λοξότμησης (Ανατρέξτε στην προηγούμενη ενότητα «Ρύθμιση της κωνικής γωνίας»). Να φροντίζετε να ξανασφίγγετε το κομβίο σταθερά για να ασφαλίσετε την επιλεγμένη γωνία λοξότμησης με ασφάλεια. Ασφαλίστε το τεμάχιο εργασίας με μια μέγγενη. Ανάψτε το εργαλείο χωρίς η λάμα να έρχεται σε επαφή καμιά επαφή και περιμένετε μέχρι η λάμα να αποκτήσει πλήρη ταχύτητα. Μετά, χαμηλώστε σιγά τη λαβή στην πλήρως κατώτερη δυνατή θέση ενώ ασκείτε πίεση παράλληλα στη λάμα. Όταν ολοκληρωθεί η κοπή, σβήστε το εργαλείο και ΠΕΡΙΜΕΝΕΤΕ ΜΕΧΡΙ Η ΛΑΜΑ ΝΑ ΑΚΙΝΗΤΟΠΟΙΗΘΕΙ ΤΕΛΕΙΩΣ πριν επιστρέψετε τη λάμα στην πλήρως ανυψωμένη θέση της.

▲ΠΡΟΣΟΧΗ: Να βεβαιώνετε πάντα ότι η λάμα θα κινηθεί προς τα κάτω προς την κατεύθυνση λοξότμησης κατά τη διάρκεια μιας λοξότμησης. Κρατάτε τα χέρια μακριά από την τροχιά της λάμας πριονιού.

▲ΠΡΟΣΟΧΗ: Κατά την εκτέλεση λοξότμησης, μπορεί να δημιουργηθεί μια κατάσταση κατά την οποία το τεμάχιο που αποκόπεται μπορεί να ακινητοποιηθεί στο πλαϊνό της λάμας. Αν η λάμα ανυψωθεί ενώ η λάμα ακόμη περιστρέφεται, αυτό το τεμάχιο μπορεί να πιαστεί από τη λάμα, προκαλώντας τη διασκόρπιση θραυσμάτων, γεγονός που είναι επικίνδυνο. Η λάμα θα πρέπει να ανυψώνεται ΜΟΝΟ αφού ακινητοποιηθεί εντελώς.

▲ΠΡΟΣΟΧΗ: Όταν πατάτε κάτω τη λαβή, ασκήστε πίεση παράλληλα της λάμας. Αν η πίεση δεν ασκηθεί παράλληλα με τη λάμα κατά τη διάρκεια μιας κοπής, η γωνία της λάμας μπορεί να μετατοπιστεί και η ακρίβεια της κοπής θα ελαττωθεί.

▲ΠΡΟΣΟΧΗ: (Μόνο για εργαλεία με βοηθητικό φράχτη) Να ρυθμίζετε πάντα τον βοηθητικό φράχτη προς τα έξω όταν πραγματοποιείτε αριστερές κωνικές κοπές.

Σύνθετη κοπή

Η σύνθετη κοπή είναι η διαδικασία κατά την οποία μια κωνική γωνία γίνεται την ίδια στιγμή που μια λοξή γωνία κόβεται σε ένα τεμάχιο εργασίας. Η σύνθετη κοπή μπορεί να εκτελεστεί στη γωνία που φαίνεται στον πίνακα.

Κωνική γωνία	Λοξή γωνία
45°	Αριστερά και δεξιά 0° - 45°

Όταν εκτελέσει σύνθετη κοπή, ανατρέξτε στις εξηγήσεις των ενότητων «Κοπή πίεσης», «Λοξή κοπή» και «Κωνική κοπή».

Κοπή ανάγλυφων μορφώσεων στέψης και μορφώσεων κοιλωτής μαρκίζας

Η κοπή ανάγλυφων μορφώσεων στέψης και μορφώσεων κοιλωτής μαρκίζας είναι εφικτή με πριόνι σύνθετης λοξότμησης με τις μορφώσεις τοποθετημένες σε επίπεδη θέση πάνω στην περιστροφική βάση.

Υπάρχουν δύο συνήθεις τύποι ανάγλυφων μορφώσεων στέψης και ένας τύπος μόρφωσης κοιλωτής μαρκίζας, μόρφωση στέψης υπό γωνία 52/38° προς τον τοίχο, μόρφωση στέψης υπό γωνία 45° προς τον τοίχο και μόρφωση κοιλωτής μαρκίζας υπό γωνία 45° προς τον τοίχο.

► **Εικ.29:** 1. Ανάγλυφη μόρφωση στέψης υπό γωνία 52/38° 2. Ανάγλυφη μόρφωση στέψης υπό γωνία 45° 3. Μόρφωση κοιλωτής μαρκίζας υπό γωνία 45°

Υπάρχουν ενώσεις μορφώσεων στέψης και κοιλωτής μαρκίζας που προορίζονται για τοποθέτηση σε «Εσωτερικές» γωνίες τοίχου 90° ((a) και (b) στην εικόνα) και σε «Εξωτερικές» γωνίες τοίχου 90° ((c) και (d) στην εικόνα).

► **Εικ.30:** 1. Εσωτερική γωνία τοίχου 2. Εξωτερική γωνία τοίχου

► **Εικ.31:** 1. Εσωτερική γωνία τοίχου 2. Εξωτερική γωνία τοίχου

Μέτρηση

Μετρήστε το πλάτος τοιχώματος και ρυθμίστε το πλάτος του τεμαχίου εργασίας ανάλογα με αυτό. Να βεβαιώνετε πάντα ότι το πλάτος του άκρου επαφής τοιχώματος του τεμαχίου εργασίας είναι το ίδιο με το μήκος του τοιχώματος.

► **Εικ.32:** 1. Τεμάχιο εργασίας 2. Πλάτος τοιχώματος 3. Πλάτος του τεμαχίου εργασίας 4. Άκρο επαφής τοιχώματος

Να χρησιμοποιείτε πάντα αρκετά τεμάχια δοκιμής της κοπής, ώστε να ελέγχετε τις γωνίες του πριονιού.

Κατά την εκτέλεση εργασιών κοπής ανάγλυφων μορφώσεων στέψης και μορφώσεων κοιλωτής μαρκίζας, καθορίστε την κωνική γωνία και τη λοξή γωνία όπως υποδεικνύεται στον πίνακα (A) και τοποθετήστε τις μορφώσεις στην πάνω επιφάνεια της βάσης της λάμας πριονιού όπως υποδεικνύεται στον πίνακα (B).

Στην περίπτωση αριστερής κωνικής κοπής

► **Εικ.33:** 1. Εσωτερική γωνία 2. Εξωτερική γωνία

Πίνακας (A)

–	Θέση μόρφωσης στην εικόνα	Κωνική γωνία		Λοξή γωνία	
		Τύπος 52/38°	Τύπος 45°	Τύπος 52/38°	Τύπος 45°
Για εσωτερική γωνία	(a)	Αριστερά 33,9°	Αριστερά 30°	Δεξιά 31,6°	Δεξιά 35,3°
	(b)			Αριστερά 31,6°	Αριστερά 35,3°
Για εξωτερική γωνία	(c)			Δεξιά 31,6°	Δεξιά 35,3°
	(d)			Δεξιά 31,6°	Δεξιά 35,3°

Πίνακας (B)

–	Θέση μόρφωσης στην εικόνα	Το άκρο μόρφωσης εφάπτεται στο φράχτη οδηγό	Ολοκληρωμένο τεμάχιο
Για εσωτερική γωνία	(a)	Το άκρο επαφής στο ταβάνι θα πρέπει να εφάπτεται στο φράχτη οδηγό.	Το ολοκληρωμένο τεμάχιο θα βρίσκεται στην αριστερή πλευρά της λάμας.
	(b)	Το άκρο επαφής στον τοίχο θα πρέπει να εφάπτεται στο φράχτη οδηγό.	
Για εξωτερική γωνία	(c)	Το άκρο επαφής στο ταβάνι θα πρέπει να εφάπτεται στο φράχτη οδηγό.	Το ολοκληρωμένο τεμάχιο θα βρίσκεται στη δεξιά πλευρά της λάμας.
	(d)	Το άκρο επαφής στο ταβάνι θα πρέπει να εφάπτεται στο φράχτη οδηγό.	

Παράδειγμα:

Στην περίπτωση κοπής ανάγλυφης μόρφωσης στέψης τύπου 52/38° για τη θέση (a) στην ανωτέρω εικόνα:

- Δώστε κλίση και ασφαλίστε τη ρύθμιση της κωνικής γωνίας σε 33,9° ΑΡΙΣΤΕΡΑ.
- Ρυθμίστε και ασφαλίστε τη λοξή γωνία σε 31,6° ΔΕΞΙΑ.
- Τοποθετήστε την ανάγλυφη μόρφωση στέψης, ώστε η πλατιά πίσω επιφάνειά της (δεν φαίνεται) να εφάπτεται στην περιστροφική βάση και το ΑΚΡΟ ΕΠΑΦΗΣ ΣΤΟ TABANI να εφάπτεται στο φράχτη οδηγό του πριονιού.
- Το ολοκληρωμένο τεμάχιο προς χρήση θα βρίσκεται πάντα στην ΑΡΙΣΤΕΡΗ πλευρά της λάμας μετά το πέρας της κοπής.

Κοπή αλουμινένιας προεξοχής

► **Εικ.34:** 1. Μέγνη 2. Τάκος ρύθμισης απόστασης 3. Φράχτης οδηγός 4. Αλουμινένια προεξοχή 5. Τάκος ρύθμισης απόστασης

Όταν ασφαλίσετε τις αλουμινένιες προεξοχές, χρησιμοποιήστε τάκους ρύθμισης απόστασης ή παλιά κομμάτια ξύλου, όπως απεικονίζεται στην εικόνα, για να εμποδίσετε την παραμόρφωση του αλουμινίου. Να χρησιμοποιείτε ένα λιπαντικό κοπής κατά την κοπή της αλουμινένιας προεξοχής, ώστε να αποφευχθεί η συσσώρευση του αλουμινιού υλικού στη λάμα.

▲ ΠΡΟΣΟΧΗ: Μην επιχειρήσετε ποτέ να κόψετε αλουμινένιες προεξοχές με μεγάλο πάχος ή στρογγυλές διατομές. Οι αλουμινένιες προεξοχές με μεγάλο πάχος μπορεί να αποσπαστούν κατά τη διάρκεια της εργασίας και οι στρογγυλές αλουμινένιες προεξοχές δεν μπορούν να ασφαλιστούν σταθερά με αυτό το εργαλείο.

Επένδυση ξύλου

▲ ΠΡΟΕΙΔΟΠΟΙΗΣΗ: Χρησιμοποιήστε βίδες για να προσαρμόσετε την επένδυση ξύλου στο φράχτη οδηγό. Οι βίδες θα πρέπει να τοποθετούνται έτσι ώστε οι κεφαλές των βιδών να βρίσκονται κάτω από την επιφάνεια της επένδυσης ξύλου και να μην εμποδίζουν την τοποθέτηση του υλικού προς κοπή. Τυχόν κακή ευθυγράμμιση του υλικού προς κοπή μπορεί να προκαλέσει μη αναμενόμενη κίνηση στη διάρκεια της εργασίας κοπής η οποία μπορεί να καταλήξει σε απώλεια ελέγχου και σοβαρό τραυματισμό.

▲ ΠΡΟΣΟΧΗ: Να χρησιμοποιείτε ίσιο ξύλο ομοιόμορφου πάχους για την επένδυση ξύλου.

Η χρήση επένδυσης ξύλου βοηθάει στην εξασφάλιση κοπών χωρίς σκληθρες στα τεμάχια εργασίας. Προσαρμόστε μια επένδυση ξύλου στον φράχτη οδηγό χρησιμοποιώντας τις τρύπες στο φράχτη οδηγό. Δείτε την εικόνα σχετικά με τις διαστάσεις για μια προτεινόμενη επένδυση ξύλου.

► **Εικ.35:** 1. Τρύπες

ΕΙΔΟΠΟΙΗΣΗ: Όταν η επένδυση ξύλου προσαρμόζεται, μην περιστρέψετε την περιστροφική βάση με τη λαβή χαμηλωμένη. Η λάμα ή/και η επένδυση ξύλου μπορεί να πάθουν ζημιά.

ΠΑΡΑΤΗΡΗΣΗ: Το μέγιστο πλάτος κοπής θα είναι μικρότερο κατά το πλάτος της επένδυσης ξύλου.

Κοπή επαναληπτικών μηκών

Όταν κόβετε πολλά τεμάχια υλικού στο ίδιο μήκος, από 240 mm έως 380 mm, χρησιμοποιήστε την πλάκα ρύθμισης (προαιρετικό εξάρτημα). Τοποθετήστε την πλάκα ρύθμισης στη θήκη (προαιρετικό εξάρτημα) όπως φαίνεται στην εικόνα.

► **Εικ.36:** 1. Πλάκα ρύθμισης 2. Θήκη 3. Βίδα

Ευθυγράμμιση τη γραμμή κοπής στο τεμάχιο εργασίας σας με την αριστερή ή δεξιά πλευρά της αυλάκωσης στη σανίδα εγκοπής και ενώ κρατάτε το τεμάχιο εργασίας, μετακινήστε την πλάκα ρύθμισης στο ίδιο ύψος με την άκρη του τεμαχίου εργασίας. Μετά ασφαλίστε την πλάκα ρύθμισης με τη βίδα. Όταν η πλάκα ρύθμισης δεν χρησιμοποιείται, χαλαρώστε τη βίδα και γυρίστε την πλάκα ρύθμισης ώστε να μην εμποδίζει.

ΠΑΡΑΤΗΡΗΣΗ: Η χρησιμοποίηση της διάταξης θήκης-ράβδου (προαιρετικό εξάρτημα) επιτρέπει κοπή επαναληπτικών μηκών μέχρι 2.200 mm περίπου.

Μεταφορά εργαλείου

► **Εικ.37:** 1. Ανασταλτικός πείρος

Βεβαιωθείτε ότι το εργαλείο δεν είναι συνδεδεμένο στην ηλεκτρική παροχή. Ασφαλίστε τη λάμα σε λοξότητα 0° και την περιστροφική βάση στον τέρμα αριστερή λοξή γωνία. Χαμηλώστε εντελώς τη λαβή και ασφαλίστε τη στη χαμηλωμένη θέση στρώχνοντας μέσα τον ανασταλτικό πείρο. Μεταφέρετε το εργαλείο κρατώντας τη λαβή μεταφοράς όπως απεικονίζεται στην εικόνα. Εάν αφαιρέσετε τις θήκες, το σάκο σκόνης, κλπ., μπορείτε να μεταφέρετε το εργαλείο πολύ ευκολότερα.

► **Εικ.38**

▲ ΠΡΟΣΟΧΗ: Να ασφαλίσετε πάντα όλα τα κινούμενα τμήματα πριν μεταφέρετε το εργαλείο.

▲ ΠΡΟΣΟΧΗ: Ο ανασταλτικός πείρος προορίζεται μόνο για τον σκοπό μεταφοράς και αποθήκευσης και όχι για λειτουργίες κοπής.

ΣΥΝΤΗΡΗΣΗ

▲ ΠΡΟΕΙΔΟΠΟΙΗΣΗ: Πάντοτε να επιβεβαιώνετε ότι η λάμα είναι ακονισμένη και καθαρή για την καλύτερη και ασφαλέστερη απόδοση. Εάν επιχειρήσετε να εκτελέσετε κοπή χρησιμοποιώντας στομαμένη ή/και ακάθαρτη λάμα, μπορεί να προκληθεί κλότσημα και κατά συνέπεια σοβαρός τραυματισμός.

▲ ΠΡΟΣΟΧΗ: Να βεβαιώνετε πάντα ότι το εργαλείο είναι σβηστό και απουσυνδεδεμένο από την ηλεκτρική παροχή πριν εκτελέσετε οποιαδήποτε εργασία επιθεώρησης ή συντήρησης σε αυτό.

ΕΙΔΟΠΟΙΗΣΗ: Μην χρησιμοποιείτε ποτέ βενζίνη, πετρελαϊκό αιθέρα, διαλυτικό, αλκοόλη ή παρόμοιες ουσίες. Μπορεί να προκληθεί αποχρωματισμός, παραμόρφωση ή ρωγμές.

Ρύθμιση της γωνίας κοπής

Αυτό το εργαλείο είναι προσεκτικά ρυθμισμένο και ευθυγραμμισμένο στο εργοστάσιο, αλλά σκληρή μεταχείριση μπορεί να έχει επηρεάσει την ευθυγράμμιση. Εάν το εργαλείο σας δεν είναι ευθυγραμμισμένο κατάλληλα, εκτελέστε τα ακόλουθα:

Λοξή γωνία

► **Εικ.39:** 1. Εξαγωνικό μπουλόνι

Χαλαρώστε τη λαβή που ασφαρίζει την περιστροφική βάση. Γυρίστε την περιστροφική βάση ώστε ο δείκτης να είναι στραμμένος στις 0° στην λοξή κλίμακα. Σφίξτε τη λαβή και χαλαρώστε τα εξαγωνικά μπουλόνια που ασφαλίζουν το φράχτη οδηγό χρησιμοποιώντας το κλειδί. Αν ο δείκτης δεν είναι στραμμένος στις 0° στη λοξή κλίμακα, χαλαρώστε τη βίδα που ασφαρίζει τον δείκτη και μετακινήστε και ασφαλίστε την πλάκα δείκτη ώστε ο δείκτης να είναι στραμμένος στις 0° στη λοξή κλίμακα.

Χαμηλώστε εντελώς τη λαβή και ασφαλίστε τη στη χαμηλωμένη θέση στρώχνοντας μέσα τον ανασταλτικό πείρο. Τετραγωνίστε το πλαϊνό της λάμας με την πρόσοψη του φράχτη οδηγού χρησιμοποιώντας έναν τριγωνικό κανόνα, τετράγωνο κανόνα, κτλ. Μετά, ασφαλίστε καλά τα εξαγωνικά μπουλόνια στο φράχτη οδηγού με τη σειρά, ξεκινώντας από τη δεξιά πλευρά.

► **Εικ.40:** 1. Τριγωνικός κανόνας

Κωνική γωνία

0° κωνική γωνία

► **Εικ.41:** 1. Ρυθμιστικό μπουλόνι γωνίας λοξότμησης 0°

Χαμηλώστε τη λαβή πλήρως και κλειδώστε τη στην κάτω θέση σπρώχνοντας μέσα τον ανασταλτικό πείρο. Χαλαρώστε το κομβίο στο πίσω μέρος του εργαλείου. Χαλαρώστε το εξαγωνικό παξιμάδι και γυρίστε το ρυθμιστικό μπουλόνι γωνίας λοξότμησης 0° στη δεξιά πλευρά της περιστροφικής βάσης κατά δύο ή τρεις περιστροφές δεξιόστροφα για να δώσετε κλίση στη λάμα προς τα δεξιά.

Τετραγωνίστε προσεκτικά το πλαινό της λάμας με την άνω επιφάνεια της περιστροφικής βάσης χρησιμοποιώντας έναν τριγωνικό κανόνα, τετράγωνο κανόνα, κτλ., περιστρέφοντας το ρυθμιστικό μπουλόνι γωνίας λοξότμησης 0° αριστερόστροφα. Μετά, σφίξετε το εξαγωνικό παξιμάδι για να ασφαλίσετε το ρυθμιστικό μπουλόνι γωνίας λοξότμησης 0° και σφίξετε καλά το κομβίο.

Βεβαιωθείτε ότι ο δείκτης στο βραχίονα είναι στραμμένος στις 0° στην κλίμακα λοξότμησης. Αν δεν είναι στραμμένος στις 0° στην κλίμακα λοξότμησης, χαλαρώστε τη βίδα που ασφαλίσει τον δείκτη και μετακινήστε και ασφαλίστε την πλάκα δείκτη ώστε ο δείκτης να είναι στραμμένος στις 0° στην κλίμακα λοξότμησης.

► **Εικ.42:** 1. Τριγωνικός κανόνας 2. Λάμα πριονιού 3. Άνω επιφάνεια της περιστροφικής βάσης

► **Εικ.43:** 1. Δείκτης

45° κωνική γωνία

► **Εικ.44:** 1. Ρυθμιστικό μπουλόνι γωνίας λοξότμησης 45° 2. Δείκτης

Ρυθμίστε την κωνική γωνία 45° μόνο αφού εκτελέσετε ρύθμιση κωνικής γωνίας 0°.

Για να ρυθμίσετε την αριστερή γωνία λοξότμησης 45°, χαλαρώστε το κομβίο και δώστε κλίση στη λάμα τέρμα αριστερά.

Βεβαιωθείτε ότι ο δείκτης στο βραχίονα είναι στραμμένος στις 45° στην κλίμακα λοξότμησης στο βραχίονα. Αν ο δείκτης δεν είναι στραμμένος στις 45°, γυρίστε το ρυθμιστικό μπουλόνι γωνίας λοξότμησης 45° στην αριστερή πλευρά του βραχίονα μέχρι ο δείκτης να είναι στραμμένος στις 45°.

Αντικατάσταση καρβουνακίων

► **Εικ.45**

Αφαιρείτε και ελέγχετε τα καρβουνάκια τακτικά.

Αντικαθιστάτε όταν φθαρούν μέχρι μήκος 3 χιλιοστών. Κρατάτε τα καρβουνάκια καθαρά και ελεύθερα να γλιστρούν στις θήκες. Και τα δύο καρβουνάκια πρέπει να αντικαθίστανται ταυτόχρονα. Να χρησιμοποιείτε μόνο καρβουνάκια ίδιου τύπου.

Χρησιμοποιήστε ένα κατασβίδι για να αφαιρέσετε τα καπάκια των θηκών καρβουνακίων. Βγάλτε τα φθαρμένα καρβουνάκια, τοποθετήστε τα καινούρια και ασφαλίστε τα καπάκια των θηκών καρβουνακίων.

► **Εικ.46:** 1. Καπάκι θήκης καρβουνακίου 2. Κατασβίδι

Μετά τη χρήση

Μετά τη χρήση, σφουγγίστε τα τεμαχίδια και τη σκόνη που είναι κολλημένα στο εργαλείο με ένα πανί ή κάτι παρόμοιο. Κρατήστε τον προφυλακτήρα λάμας καθαρό σύμφωνα με τις οδηγίες στην προηγούμενως καλυφθείσα ενότητα με τίτλο «Προφυλακτική λάμας». Λιπαίνετε τα μέρη που γλιστρούν με μηχανικό έλαιο για να μην οξειδωθούν.

Για τη διατήρηση της ΑΣΦΑΛΕΙΑΣ και ΑΞΙΟΠΙΣΤΙΑΣ του προϊόντος, οι επισκευές και οποιαδήποτε άλλη εργασία συντήρησης ή ρύθμισης πρέπει να εκτελούνται από εξουσιοδοτημένα ή εργοστασιακά κέντρα εξυπηρέτησης της Makita, χρησιμοποιώντας πάντοτε ανταλλακτικά της Makita.

ΠΡΟΑΙΡΕΤΙΚΑ ΕΞΑΡΤΗΜΑΤΑ

▲ ΠΡΟΣΟΧΗ: Αυτά τα εξαρτήματα ή προσαρτήματα συνιστώνται για χρήση με το εργαλείο Makita που περιγράφηκε στις οδηγίες αυτές. Η χρήση οποιωνδήποτε άλλων εξαρτημάτων ή προσαρτημάτων μπορεί να προκαλέσει κίνδυνο τραυματισμού σε άτομα. Να χρησιμοποιείτε τα εξαρτήματα ή προσαρτήματα μόνο για την χρήση που προορίζονται.

Εάν χρειάζεστε οποιαδήποτε βοήθεια για περισσότερες πληροφορίες σε σχέση με αυτά τα εξαρτήματα, απευθυνθείτε στο τοπικό σας κέντρο εξυπηρέτησης Makita.

- Ατσάλινες λάμες πριονιού με μύτες καρβιδίου (Ανατρέξτε στον ιστότοπό μας ή επικοινωνήστε με τον τοπικό σας αντιπρόσωπο της Makita για τις σωστές λάμες πριονιού για χρήση με το υλικό προς κοπή).

ΠΑΡΑΤΗΡΗΣΗ: Μερικά στοιχεία στη λίστα μπορεί να συμπεριλαμβάνονται στη συσκευασία εργαλείου ως στάνταρ εξαρτήματα. Μπορεί να διαφέρουν ανάλογα με τη χώρα.

TEKNİK ÖZELLİKLER

Model:		M2300
Bıçak çapı		255 mm
Delik çapı	Avrupa ülkeleri dışındaki diğer tüm ülkeler için	25,4 mm ya da 30 mm (ülkeye özgü)
	Avrupa ülkeleri için	30 mm
Testere bıçağı maks. kesim kalınlığı		3,2 mm
Yüksüz hız		4.200 min ⁻¹
Ebat (U x G x Y)		610 mm x 485 mm x 515 mm
Net ağırlık		13,8 kg
Emniyet sınıfı		□/II

- Sürekli yapılan araştırma ve geliştirmelerden dolayı, burada belirtilen özellikler önceden bildirilmeksizin değiştirilebilir.
- Özellikler ülkeden ülkeye değişebilir.
- EPTA-Prosedürü 01/2014 uyarınca ağırlık

Bıçakla (Y x G) kesme kapasiteleri 255 mm çaplı

Eğim açısı	Gönye açısı	
	0°	45° (sağ ve sol)
0°	75 mm x 130 mm	75 mm x 90 mm
45° (sol)	48 mm x 120 mm	48 mm x 90 mm

Semboller

Ekipmanı için kullanılacak semboller aşağıda gösterilmiştir. Kullanmadan önce anlamlarını anladığınızdan emin olun.



Kullanma kılavuzunu okuyun.



ÇİFT YALITIMLI



Sıçrayan parçalardan yaralanmayı önlemek için kesim bittikten sonra bıçak tamamen durana kadar testere başını daima aşağıda tutun.



Elinizi ve parmaklarınızı bıçağa yaklaştırmayın.



Sola eğimli kesim yaparken her zaman ALT BARIYERİ sol konuma ayarlayın. Bunun yapılmaması operatörün ciddi şekilde yaralanmasına sebep olabilir.



Sadece AB ülkeleri için
Ekipmanda tehlikeli bileşenler bulunduğundan dolayı eski elektrikli ve elektronik ekipmanlar çevre ve insan sağlığı üzerinde olumsuz etkiye yol açabilir.
Elektrikli ve elektronik cihazları evsel atıklarla birlikte atmayın!
Atık elektrikli ve elektronik ekipmanlar hakkındaki Avrupa Direktifi ve söz konusu direktifin ulusal yasalara uyarlanması gereğince eski elektrikli ve elektronik ekipmanlar ayrı olarak toplanmalı ve çevre koruma mevzuatına uygun olarak faaliyet gösteren ayrı bir kentsel atık toplama noktasına teslim edilmelidir.
Bu husus, ekipmanın üzerine yerleştirilmiş üzerinde çarpı işareti bulunan tekerlekli çöp kovası simgesi ile belirtilmiştir.

Kullanım amacı

Bu alet, ahşap malzemede düz ve gönyeli hassas kesimler yapmak için tasarlanmıştır. Uygun testere bıçakları ile alüminyum da kesilebilir.

Güç kaynağı

Aletin, yalnızca isim levhasında belirtilenle aynı voltajlı güç kaynağına bağlanması gerekir ve yalnızca tek fazlı AC güç kaynağıyla çalıştırılabilir. Çifte yalıtımlıdır ve topraklamasız prizlerle de kullanılabilir.

Gürültü

Tipik A-ağırlıklı gürültü düzeyi (EN62841-3-9 standardına göre belirlenen):

Ses basınç seviyesi (L_{pA}): 89 dB (A)

Ses gücü düzeyi (L_{WA}): 102 dB (A)

Belirsizlik (K): 3 dB (A)

NOT: Beyan edilen gürültü emisyonu değer(ler)i bir standart test yönteminde uygun şekilde ölçülmüştür ve bir aleti bir başkasıyla karşılaştırmak için kullanılabilir.

NOT: Beyan edilen gürültü emisyonu değer(ler) i bir ön maruz kalma değerlendirmesi olarak da kullanılabilir.

UYARI: Kulak koruyucuları takın.

UYARI: Elektrikli aletin gerçek kullanımı sırasındaki gürültü emisyonu, aletin kullanım biçimlerine, özellikle işlenen iş parçasının türüne bağlı olarak beyan edilen değer(ler)den farklı olabilir.

UYARI: Gerçek kullanım koşullarındaki tahmini maruziyeti baz alan, operatörü koruyacak güvenlik önlemlerini mutlaka belirleyin (çalışma döngüsü içerisinde aletin kapalı olduğu ve aktif durumda olmasının yanı sıra boşta çalıştığı zamanlar gibi, bütün zaman dilimleri göz önünde bulundurarak).

EC Uygunluk Beyanı

Sadece Avrupa ülkeleri için

EC uygunluk beyanı bu kullanım kılavuzuna Ek A olarak eklenmiştir.

GÜVENLİK UYARILARI

Genel elektrikli alet güvenliği uyarıları

UYARI: Bu elektrikli aletle birlikte sunulan tüm güvenlik uyarılarını, talimatları, çizimleri ve teknik özellikleri okuyun. Aşağıda verilen talimatlara uyulmaması elektrik şoku, yangın ve/veya ciddi yaralanmalar ile sonuçlanabilir.

Tüm uyarıları ve talimatları iletiride başvurmak için saklayın.

Uyarılardaki "elektrikli alet" terimi ile ya prizden çalışan (kordonlu) elektrikli aletiniz ya da kendi aküsü ile çalışan (kordonsuz) elektrikli aletiniz kastedilmektedir.

Gönye kesme testereleri için güvenlik talimatları

1. Gönye kesme testereleri ahşap veya ahşap benzeri ürünleri kesmek için tasarlanmıştır, çubuklar, rodlar, saplamalar, vb. gibi demir malzemeleri kesmek için aşındırıcı kesim diskleriyle kullanılamaz. Aşındırıcı toz alt siper gibi hareketli parçaların sıkışmasına neden olur. Aşındırıcı kesimden kaynaklanan kıvılcıklar alt siperi, kesim kanalı ve diğer plastik parçaları yakar.

2. Mümkün olan her durumda iş parçasını menegeneler kullanarak destekleyin. İş parçasını elle destekliyorsanız elini daima testere bıçağının her iki tarafından en az 100 mm uzakta tutun. Bu testereyi, sabitlenemeyecek veya elle tutulamayacak kadar küçük parçaları kesmek için kullanmayın. Eliniz testere bıçağına çok yakın yerleştirilirse yüksek oranda bıçağa temas ederek yaralanma riski vardır.
3. İş parçası sabit olmalı ve menegene ile sabitlenmeli veya bariyer ve tezgaha dayanacak şekilde tutulmalıdır. İş parçasını "sabitlemeden" hiçbir şekilde bıçağa sürmeyin veya kesmeyin. Sabitlememiş veya hareket eden iş parçaları yüksek hızlarda fırlayarak yaralanmaya neden olabilir.
4. Elinizi, testere bıçağının önünden veya arkasından tasarlanan kesim çizgisinin öbür tarafa geçirmeyin. İş parçasının "çarpaz şekilde" yani iş parçasını testere bıçağının sağında sol elinizde tutarak veya tersi şekilde desteklemek çok tehlikelidir.

► Şek.1

5. Bıçak dönerken atık ahşap parçalarını kaldırmak veya başka herhangi bir nedenle testere bıçağının her iki tarafına 100 mm'den daha yakın olacak şekilde ellerinizle bariyerin arkasına uzanmayın. Dönen testere bıçağının elinize olan yakınlığı belli olmayabilir ve ciddi şekilde yaralanabilirsiniz.
6. Kesmeden önce iş parçasını inceleyin. İş parçası eğri veya çarpık ise dış eğri kısmı bariyere geleceği şekilde menegene ile sabitleyin. Kesim çizgisi boyunca iş parçası, bariyer ve tezgah arasında boşluk kalmadığından daima emin olun. Eğri veya çarpık iş parçaları dönerken veya kayabilir ve kesim sırasında dönen testere bıçağına takılmasına neden olabilir. İş parçasında çivi veya yabancı maddeler olmamalıdır.
7. Tezgahta iş parçası dışındaki tüm aletler, atık ahşap parçaları, vb. kaldırılmadan testereyi kullanmayın. Dönen bıçağa temas eden küçük atıklar veya gevşek ahşap parçaları ya da başka nesnelere yüksek hızla fırlayabilir.
8. Tek seferde sadece bir adet iş parçası kesin. Üst üste dizilen birden fazla iş parçası yeterli kadar sabitlenemeyebilir veya desteklenemeyebilir ve kesim sırasında bıçağa takılabilir veya kayabilir.
9. Kullanmadan önce gönye kesme makinasının düz, sabit bir çalışma yüzeyine monte edildiğinden veya yerleştirildiğinden emin olun. Düz ve sabit çalışma yüzeyi gönye kesme makinasının dengesini yitirme riskini azaltır.
10. İşinizi planlayın. Eğim veya gönye açısı ayarını her değiştirdiğinizde ayarlanabilir bariyerin iş parçasını destekleyecek şekilde doğru ayarlandığından ve bıçak veya koruma siperi sisteme müdahale etmeyeceğinden emin olun. Aleti "Açık" konuma almadan önce ve tezgahta iş parçası yokken bariyere müdahale edilmeyeceğinden veya bariyerin kesilme tehlikesi olmadığından emin olmak için testere bıçağını tam bir temsili kesim yapacak şekilde hareket ettirin.
11. Tezgahtan daha geniş veya uzun iş parçası için tezgah uzantıları, testere tezgahları, vb. gibi yeterli destek sağlayın. Gönye kesme makinasının tezgahından daha uzun veya daha geniş iş parçaları emniyetli bir şekilde desteklenmezse devrilebilir. Kesilen parça veya iş parçası devrilsen alt siperi kaldırılabılır veya dönen bıçak tarafından fırlatılabilir.

12. **Tezgaah uzantısı veya ilave destek yerine başka bir kişiyi kullanmayın.** İş parçasının dengesiz şekilde desteklenmesi kesim işlemi sırasında bıçağın takılmasına veya iş parçasının kaymasına neden olarak sizi veya yardım eden kişiyi dönen bıçağa çekebilir.
13. **Kesilen parça dönen testere bıçağına dayanacak şekilde hiçbir biçimde sıkıştırılmamalı veya bastırılmamalıdır.** Uzunluk dayanakları kullanarak sınırlandırılması durumunda kesilen parça bıçağa dayanıp kalarak şiddetli bir şekilde fırlayabilir.
14. **Daima çubuklar veya borular gibi yuvarlak malzemeleri düzgün şekilde desteklemek üzere tasarlanmış menegene veya sabitleme aparatı kullanın.** Çubuklar kesilirken dönmeye eğilimli gösterdiklerinden bıçak iş parçasını kavrayarak elinizle birlikte bıçağa çekilmesine neden olur.
15. **İş parçasına temas ettirmeden önce bıçağın tam hız çıkmasını bekleyin.** Bu, iş parçasının fırlatılma riskini düşürecektir.
16. **İş parçası veya bıçak sıkışırsa gönye kesme makinasını kapatın.** Tüm hareketli parçaların durmasını bekleyin ve fişi elektrik prizinden çekin ve/veya bataryayı çıkarın. Daha sonra sıkışan malzemeyi çıkarmaya çalışın. Sıkışan iş parçası ile kesmeye devam etmek kontrol kaybına veya gönye kesme makinasının hasar görmesine neden olabilir.
17. **Kesimi tamamladıktan sonra anahtarı bırakın, testere kafasını aşağıda tutun ve kesilen parçayı çıkarmadan önce bıçağın durmasını bekleyin.** Boşta dönen bıçağın yakınına elinizle uzanmak tehlikelidir.
18. **Eksik kesim yaparken veya testere kafası tamamen aşağı konuma gelmeden önce anahtarı kırk kırk tutamağı sıkıca tutun.** Testerenin frenleme hareketi testere kafasının aniden aşağı doğru çekilmesine neden olarak yaralanma riskine yol açabilir.
19. **Sadece alet üzerinde işaretli olan ya da kılavuzda belirtilen çapta testere bıçağı kullanın.** Yanlış boyutta bir bıçak kullanılması bıçağın doğru bir şekilde korunmasını ya da koruma parçasının işleyişini etkileyebilir, bu da ciddi kişisel yaralanmalara neden olabilir.
20. **Sadece hızlı alet üzerinde işaretli olan hızı eşit ya da ondan daha yüksek olan testere bıçaklarını kullanın.**
21. **Testereyi tahta, alüminyum ve benzeri dışındaki malzemeleri kesmek için kullanmayın.**
22. **(Sadece Avrupa ülkeleri için) Daima EN847-1'e uygun bıçak kullanın.**

Ek talimatlar

1. **Atölyeyi asma kilitlerle çocukların erişemeyeceği hale getirin.**
2. **Hiçbir zaman aletin üzerine çıkmayın.** Alet devrilir veya kesim aleti kazara temas ederse ciddi yaralanma meydana gelebilir.
3. **Aleti hiçbir zaman çalışır durumda başı boş bırakmayın.** Gücü kapatın. Tamamen durmadan aletin başından ayrılmayın.
4. **Koruma siperlerini yerine takmadan testereyi kullanmayın.** Her kullanımdan önce bıçak siperinin doğru bir şekilde kapatılıp kapatılmadığını kontrol edin. Bıçak siperi serbest bir şekilde hareket etmiyor ve anında kapanmıyorsa testereyi kullanmayın. Bıçak siperini asla açık konumda kalacak şekilde sıkıştırmanın ve bağlamayın.

5. **Ellerinizi testere bıçağının hareket alanından uzak tutun.** Alet durdurulduktan sonra durana kadar boşa dönen bıçağa temastan sakının. Ciddi yaralanmalara sebep olabilir.
6. **Aleti taşımadan önce hareket eden tüm parçaları sabitleyin.**
7. **Kesici kafanın aşağı sabitlenmesini sağlayan sabitleme pimi sadece taşıma ve saklama amacıyla kullanılmalı, hiçbir kesim işlemi sırasında kullanılmamalıdır.**
8. **Kullanmadan önce bıçakta çatlak ya da hasar olup olmadığını dikkatlice kontrol edin.** Çatlak veya hasarlı bıçağı hemen değiştirin. Bıçakların üzerinde sertleşen sakız ve odun katranı testereyi yavaşlatır ve geri tepme potansiyelini artırır. Bıçağı ilk önce aletten çıkarıp daha sonra sakız veya katran temizleyici, sıcaş su veya gaz yağı ile temizleyerek temiz tutun. Bıçağı temizlemek için asla benzin kullanmayın.
9. **Sadece bu alete uygun olan flanşları kullanın.**
10. **Mil, flanş (özellikle montaj yüzeyi) ve civatalara zarar gelmemesine dikkat edin.** Bu parçalara zarar gelirse bıçak kırılabilir.
11. **Dönüş kaidesinin iyice sabitlendiğinden, kullanım sırasında hareket etmeyeceğinden emin olun.** Testereyi sabit bir çalışma platformuna veya tezgaha sabitlemek için kaide üzerindeki delikleri kullanın. Aleti, operatörün konumu biçimsiz olacak şekilde ASLA kullanmayın.
12. **Anahtar açılmadan önce mil kilidinin serbest olduğundan emin olun.**
13. **Bıçağın en düşük konumda dönüş kaidesine temas etmediğinden emin olun.**
14. **Tutamağı elinizle sıkıca tutun.** Başlatma ve durma sırasında testerenin hafifçe yukarı veya aşağı hareket ettiğini unutmayın.
15. **Anahtar açılmadan önce bıçağın iş parçasına temas etmediğinden emin olun.**
16. **Aleti iş parçası üzerinde kullanmadan önce bir müddet çalıştırın.** İyi takılmamış veya tam dengelenmemiş bir bıçağın belirtileri olan vibrasyon ya da sallanma olup olmadığına bakın.
17. **Anormal bir durum fark ederseniz kullanımı derhal durdurun.**
18. **Tetiği "Açık" konumda kilitlemeye çalışmayın.**
19. **Daima bu kılavuzda tavsiye edilen aksesuarları kullanın.** Aşındırıcı disk gibi uygun olmayan aksesuarların kullanımı yaralanmaya sebep olabilir.
20. **Bazı malzemeler zehirli olabilecek kimyasal maddeler içerir.** Tozun solunmasını ve cilde temas etmesini önlemek için dikkatli olun. Malzeme tedarikçisinin güvenlik bilgilerini izleyin.

Lazer için ek güvenlik kuralları

1. **LAZER RADYASYONU, İŞİNA BAKMAYIN VEYA OPTİK ALETLERLE DOĞRUDAN İZLEMİYİN, SINIF 2M LAZERLİ ÜRÜN.**

BU TALİMATLARI MUHAFAZA EDİNİZ.

⚠UYARI: Ürünü kullanırken (defalarca kullanınca kazanılan) rahatlık ve tanıdıklık duygusunun ilgili ürünün güvenlik kurallarına sıkı sıkıya bağlı kalmanın yerine geçmesine İZİN VERMEYİN. YANLIŞ KULLANIM veya bu kullanma kılavuzunda belirtilen emniyet kurallarına uymama ciddi yaralanmaya neden olabilir.

KURULUM

Alet gönderildiğinde, durdurucu pim tutamağı aşağı indirilmiş konumda kilitleli tutar. Cıvatayı aletle birlikte sağlanan anahtarla gevşetin ve testere başını doğru açığa taşıyın. Cıvatayı çıkarın ve testere başını topuzla sabitleyin.

► **Şek.2:** 1. Anahtar

► **Şek.3:** 1. Topuz

Yardımcı plakanın takılması

Yardımcı plakayı alet kaidesindeki deliği kullanarak takın ve vidayı sıkılayarak sabitleyin.

► **Şek.4:** 1. Yardımcı plaka 2. Vida 3. Kaide

Tezgahın montajı

Alet gönderildiğinde, durdurucu pim tutamağı aşağı indirilmiş konumda kilitleli tutar. Tutamağı hafifçe aşağı doğru indirip durdurucu pimi çekerek durdurucu pimi serbest bırakın.

► **Şek.5:** 1. Durdurucu pim

Bu alet, aletin kaidesindeki cıvata delikleri kullanılarak, dört cıvatayla düz ve dengeli bir yüzeye sabitlenmelidir. Bu, kaymayı ve olası yaralanmaları önlemeye yardımcı olacaktır.

► **Şek.6:** 1. Cıvata

İŞLEVSEL NİTELİKLER

⚠DİKKAT: Alet üzerinde ayarlama ya da işleyiş kontrolü yapmadan önce aletin kapalı ve fişinin çekili olduğundan daima emin olun.

Bıçak siperi

► **Şek.7:** 1. Bıçak siperi

Tutamağı indirirken, bıçak siperi otomatik olarak kalkar. Siper yayılı olduğu için kesim tamamlanıp tutamak kaldırıldığında orijinal konumuna döner. BIÇAK SİPERİNİ VEYA SİPERE BAĞLI OLAN YAYI ASLA DEVRE DIŞI BIRAKMAYIN VE ÇIKARMAYIN.

Kişisel güvenliğinizi korumak için, bıçak siperini daima iyi durumda muhafaza edin. Bıçak siperinin işleyişinde herhangi bir düzensizlik görülürse hemen düzeltilmelidir. Siperin yayılı geri dönüş hareketini kontrol edin. BIÇAK SİPERİ YA DA YAYI HASARLI, ARIZALI YA DA ÇIKMIŞ İSE ALETİ ASLA KULLANMAYIN. BUNU YAPMAK ÇOK TEHLİKELİDİR VE CİDDİ KİŞİSEL YARALANMALAR NEDEN OLABİLİR.

Şeffaf bıçak siperi kirlenirse ya da testereden çıkan tozların yapışması sonucu bıçak ve/veya iş parçası görünemez hale gelirse, testereyi fişten çekin ve siperi nemli bir bezle temizleyin. Plastik siper üzerinde çözücü ya da petrol bazlı temizleyiciler kullanmayın.

Bıçak siperi oldukça kirliyse ve siperden görüş sağlanmıyorsa, orta kapağı tutan altıgen cıvatayı gevşetmek için verilen anahtarı kullanın. Altıgen cıvatayı saatın aksi yönde döndürerek gevşetin, bıçak siperini ve orta kapağı kaldırın. Bıçak siperi bu şekilde konumlandırıldığında, temizlik tam ve etkin olarak gerçekleştirilebilir. Temizlik tamamlandığında, yukarıdaki işlemler tersten izleyin ve cıvataları sıkılayın. Bıçak siperini tutan yayı çıkarmayın. Siper eskime ya da UV ışınlarla maruz kalma sonucu renk değişimine uğrarsa, yeni bir siper almak için Makita servisimize başvurun. SİPERİ DEVRE DIŞI BIRAKMAYIN VE ÇIKARMAYIN.

► **Şek.8:** 1. Bıçak siperi

Kesim tahtası

Kesimin çıkış tarafında yarılmaları azaltmak için, bu alet dönüş kaidesinde kesim tahtası ile birlikte sunulmuştur. Fabrikada kesim tahtasında kesim oluğu açılmamışsa, aleti bir iş parçasını kesmek için fiilen kullanmaya başlamadan önce oluğu sizin açmanız gerekir. Aleti çalıştırın ve kesim tahtasında oluk açmak için bıçağı hafifçe indirin.

► **Şek.9:** 1. Kesim tahtası

Maksimum kesme kapasitesinin sağlanması

Bu alet 255 mm'lik testere bıçağı için maksimum kesme kapasitesi sağlamak için fabrikada ayarlanmıştır.

Yeni bir bıçak takarken, bıçağın alt limit pozisyonunu kontrol edin ve gerekirse, aşağıdaki gibi ayarlayın:

Önce aleti fişten çekin. Tutamağı tamamen indirin. Ayar cıvatasını çevirmek için anahtarı kullanın ve kılavuz bariyerinin ön yüzü ile dönüş kaidesinin ön yüzünün kesiştiği noktada bıçağın çevresi dönüş kaidesinin üst yüzeyinin altından hafifçe uzanana kadar çevirin.

► **Şek.10:** 1. Ayar cıvatası

Aleti fişten çekin ve bıçağın alt kaidenin herhangi bir parçasına dokunmadığına emin olmak için, tutamağı sürekli aşağıda tutup, bıçağı elle döndürün. Gerekirse yeniden hafifçe ayarlayın.

► **Şek.11:** 1. Dönüş kaidesinin üst yüzeyi 2. Bıçak çevresi 3. Kılavuz bariyeri

⚠DİKKAT: Yeni bir bıçak taktıktan sonra tutamak tam olarak aşağı indirildiğinde bıçağın alt kaidenin herhangi bir parçasına dokunmadığından daima emin olun. Bunu daima alet fişten çekili durumdayken yapın.

Gönye açısının ayarlanması

► **Şek.12:** 1. Kilitleme kolu 2. Kavrama kolu

Kavrama kolunu saatın aksi yönde döndürerek gevşetin. Kilitleme koluna bastırarak dönüş kaidesini çevirin. Kavrama kolunu işaretçi gönye ölçeği üzerinde istenilen açıyı gösterecek şekilde yerleştirdikten sonra kavrama kolunu saat yönünde çevirerek iyice sıkıştırın.

⚠ DİKKAT: Dönüş kaidesini çevirirken, kolu tam olarak yukarı kaldırdığınızdan emin olun.

⚠ DİKKAT: Gönye açısını değiştirdikten sonra, kavrama kolunu iyice sıkıştırarak dönüş kaidesini sabitleyin.

Eğim açısının ayarlanması

► **Şek.13:** 1. Topuz

Eğim açısını ayarlamak için, aletin arkasındaki topuzu saatin aksi yönde çevirerek gevşetin.

► **Şek.14:** 1. İşaretçi

İşaretçi, eğim ölçüğü üzerinde istenen açıyı gösterene kadar testere bıçağını eğmek için tutamağı sola doğru itin. Ardından, kolu sabitlemek için topuzu saat yönünde döndürerek iyice sıkın.

⚠ DİKKAT: Testere bıçağını eğerken tutamağı tam olarak yukarı kaldırdığınızdan emin olun.

⚠ DİKKAT: Eğim açısını değiştirdikten sonra, mutlaka kolu saat yönünde döndürerek sıkıştırın.

Anahtar işlemi

⚠ UYARI: Aleti fişe takmadan önce, anahtar tetiğin düzgün çalıştığından ve bırakıldığında “KAPALI” pozisyona döndüğünden emin olun. Anahtarı düzgün bir şekilde çalışmayan bir aletle işlem yapmak kontrolün kaybedilmesine ve ciddi kişisel yaralanmalara neden olabilir.

⚠ UYARI: Anahtar tetiği tam olarak çalışmayan bir aleti ASLA kullanmayın. Anahtarı çalışmayan bir alet SON DERECE TEHLİKELİ'dir ve kullanıma devam edilmeden önce onarılmalıdır, aksi takdirde ciddi kişisel yaralanmalara yol açabilir.

► **Şek.15:** 1. Anahtar tetik 2. Güvenlik kilidi düğmesi

Anahtar tetiğin kazara çekilmesini önlemek için, bir güvenlik kilidi düğmesi sunulmuştur. Aleti başlatmak için güvenlik kilidi düğmesine bastırın ve anahtar tetiği çekin. Durdurmak için anahtar tetiği bırakın.

MONTAJ

⚠ DİKKAT: Alet üzerinde herhangi bir iş yapmadan önce aletin kapalı ve fişinin çekili olduğundan daima emin olun.

Testere bıçağının takılması ve çıkarılması

⚠ DİKKAT: Bıçağı takmadan ya da çıkarmadan önce aletin kapalı ve fişinin çekili olduğundan daima emin olun.

⚠ DİKKAT: Bıçağı takmak ve çıkarmak için sadece Makita marka anahtarları kullanın. Aksi takdirde altıgen civata aşırı derecede ya da yetersiz sıkılabilir. Bu da yaralanmalara yol açabilir.

Bıçağı takarken veya çıkarırken tutamağı kaldırmış konumda tutun.

Bıçağı çıkarmak için orta kapağı tutan altıgen civatayı saat aksi yönde çevirerek gevşetmek için anahtarları kullanın. Bıçak siperini ve orta kapağı kaldırın.

► **Şek.16:** 1. Anahtar 2. Orta kapak

► **Şek.17:** 1. Altıgen civata

İği kilitlemek için şaft kilidine bastırın ve altıgen civatayı saat yönünde çevirerek gevşetmek için anahtarları kullanın. Ardından altıgen civatayı, dış flanşı ve bıçağı çıkarın.

► **Şek.18:** 1. Altıgen civata 2. Anahtar

Bıçağı takmak için, dikkatli bir şekilde iğn üzerine monte edin ve bıçağın yüzeyindeki okun yönünün bıçak kılıfı üzerindeki okun yönü ile aynı olduğundan emin olun.

► **Şek.19:** 1. Bıçak kılıfı 2. Ok 3. Ok 4. Testere bıçağı

Dış flanşı ve altıgen civatayı takın ve şaft kilidine basılı tutarken altıgen civatayı (sol taraftaki) saatin aksi yönde çevirerek sıkılamak için anahtarları kullanın.

► **Şek.20:** 1. İğ 2. Flanş 3. Testere bıçağı 4. Flanş 5. Altıgen civata 6. Bilezik

⚠ DİKKAT: Dış çapı 25,4 mm ya da 30 mm olan bilezik fabrikada iğe takılmıştır. Bıçağı iğe monte etmeden önce, kullanmak istediğiniz bıçağın mil deliği için doğru bileziğin iğe takıldığından daima emin olun.

Bıçak siperini ve orta kapağı orijinal yerlerine takın. Ardından orta kapağı sabitlemek için altıgen civatayı saat yönünde çevirerek sıkılayın. Bıçak siperinin düzgün bir şekilde hareket ettiğinden emin olmak için tutamağı indirin. Kesim yapmadan önce şaft kilidinin iği serbest bıraktığından emin olun.

Alt bariyer

Ülkeye özgü

⚠ UYARI: Sola eğimli kesimler yaparken alt bariyeri dışarı doğru çevirin. Aksi takdirde, bıçağa ya da aletin bir parçasına temas edebilir ve operatörün ciddi şekilde yaralanmasına neden olabilir.

► **Şek.21:** 1. Alt bariyer

Bu alet bir alt bariyer ile donatılmıştır. Alt bariyer genellikle iç kısımda konumlandırılır. Ancak, sola eğimli kesimler yaparken bariyeri dışarı doğru çevirmelisiniz.

Bir elektrikli süpürgenin bağlanması

Temiz kesim işlemi yapmak istediğinizde bir Makita elektrikli süpürge bağlayın.

► **Şek.22**

Toz torbası

► **Şek.23:** 1. Toz torbası

► **Şek.24:** 1. Bağlama elemanı

Toz torbası kullanımı, kesim işlemlerinin temiz, toz toplananını da kolay bir şekilde yapılmasını sağlar. Toz torbasını toz oluğuna takın.

Toz torbasının yarısı dolduğunda toz torbasını aletten ayırın ve bağlama elemanını çekip çıkarın. Toz torbasının içine yapışan ve daha fazla toplama yapılmasını engelleyebilecek olan parçacıkların çıkması için torbaya hafifçe vurarak içindekileri boşaltın.

İş parçasının sabitlemesi

⚠UYARI: İş parçasını daima vida kullanarak doğru bir şekilde ve sıkıca sabitlemek oldukça önemlidir. Bunu yapmamak aletin zarar görmesine ve/veya iş parçasının parçalanmasına neden olabilir. KİŞİSEL YARALANMALAR DA GERÇEKLEŞEBİLİR. Bir kesme işleminden sonra bıçak tam olarak durmadan önce bıçağı KALDIRMAYIN.

⚠DİKKAT: Uzun iş parçalarını keserken dönüş kaidesinin üst yüzeyinin seviyesinin yüksekliğinde destekler kullanın. İş parçasını sabitlemek için sadece dikey ve/veya yatay vida yeterli olmayabilir. İnce malzemeler eğilebilir. Bıçağın sıkışmasını ve olası bir GERİ TEPMEYİ önlemek için iş parçasının tüm uzunluğunun desteklendiğinden emin olun.

► **Şek.25:** 1. Destek 2. Dönüş kaidesi

Dikey vida

► **Şek.26:** 1. Vidalı topuz 2. Vida 3. Vidalı kol 4. Vidalı çubuk

Dikey vida iki konumdan birine yerleştirilebilir: kılavuz bariyerinin sol veya sağ kısmına. Vidalı çubuğu kılavuz bariyerindeki deliğe yerleştirin ve vidalı çubuğu sabitlemek için vidayı sıkılayın.

Vidalı kolu iş parçasının kalınlığına ve şekline göre konumlandırın ve vidayı sıkarak vidalı kolu sabitleyin. Tutamağı tam olarak aşağı indirdiğinizde aletin hiçbir parçasının vidaya temas etmediğinden emin olun. Bazı parçalar vidaya temas ederse vidayı yeniden konumlandırın. İş parçasını kılavuz bariyere tam olarak bastırın ve kaidayı döndürün. İş parçasını istenen kesim konumunda konumlandırın ve vidalı topuz ile sıkıştırarak sabitleyin.

⚠DİKKAT: Tüm işlemler sırasında iş parçası dönüş kaidesine ve kılavuz bariyerine vida ile sıkıca sabitlenmelidir.

KULLANIM

⚠DİKKAT: Kullanımdan önce, durdurucu pimi çekerek tutamağı alt konumdan çıkarın.

⚠DİKKAT: Anahtar açılmadan önce bıçağın iş parçasına veya başka bir yere temas etmediğinden emin olun.

⚠DİKKAT: Kesim sırasında tutamağa aşırı basınç uygulamayın. Fazla güç kullanılması motorun aşırı yüklenmesine ve/veya kesim etkinliğinin düşmesine neden olabilir. Yumuşak bir kesim ve bıçak hızında önemli bir düşüş yaşanmaması için tutamağa sadece gereken oranda bir güçle aşağı doğru bastırın.

⚠DİKKAT: Kesimi gerçekleştirmek için tutamağa hafifçe bastırın. Tutamağa güç kullanılarak basılırsa veya yatay güç uygulanırsa, bıçak titreşebilir ve iş parçasında bir iz (testere izi) bırakabilir, kesimin hassasiyeti zarar görür.

⚠DİKKAT: Testere kafasını tam aşağı konumdan kontrolsüz bırakmayın. Kontrolsüz testere kafası size vurabilir ve yaralanmaya neden olur.

Kalıp kesme

► **Şek.27:** 1. Dikey vida

İş parçasını vidayla sabitleyin. Bıçak hiçbir şeyle temas etmeyecek konumdayken aleti çalıştırın ve bıçağı indirmeden önce tam hızına ulaşmasını bekleyin. Ardından, iş parçasını kesmek için tutamağı yavaşça en alt konuma indirin. Kesim tamamlandığında, aleti kapatın ve bıçağı en üst konuma döndürmeden önce BİÇAK TAM OLARAK DURANA KADAR BEKLEYİN.

Gönye kesme

Gönye açısının ayarlanması kısmına bakın.

Eğimli kesim

► **Şek.28**

Eğim açısını ayarlamak için topuzu gevşetin ve testere bıçağını eğin (Önceki sayfalarda yer verilen "Eğim açısının ayarlanması" bölümüne bakın). Seçili eğim açısını güvenli bir şekilde sabitlemek için topuzu iyice yeniden sıkıladığınızdan emin olun. İş parçasını bir vida ile sabitleyin. Bıçak hiçbir şeyle temas etmeyecek konumdayken aleti çalıştırın ve bıçağın tam hızına ulaşmasını bekleyin. Ardından, bıçağa paralel bir şekilde basınç uygularken tutamağı hafifçe indirerek tamamen aşağı konuma getirin. Kesim tamamlandığında, aleti kapatın ve bıçağı en üst konuma döndürmeden önce BİÇAK TAM OLARAK DURANA KADAR BEKLEYİN.

⚠DİKKAT: Eğimli kesme sırasında bıçağın eğim yönünde aşağı doğru hareket edeceğinden daima emin olun. Ellerinizi testere bıçağının hareket alanından uzak tutun.

⚠DİKKAT: Eğimli bir kesim sırasında, kesilen parça bıçak kenarının önüne gelme durumu oluşabilir. Bıçak dönüş halindeyken kaldırılırsa, bu parça bıçağa takılabilir ve parçaların tehlikeli bir şekilde etrafa yayılmasına neden olabilir. Bıçak SADECE tamamen durduktan sonra kaldırılmalıdır.

⚠DİKKAT: Tutamağa aşağı doğru bastırırken bıçağa paralel bir basınç uygulayın. Kesim sırasında basınç bıçağa paralel bir şekilde yapılmazsa, bıçağın açısı kayabilir ve kesimin hassasiyeti zarar görür.

⚠DİKKAT: (Sadece alt bariyeri olan aletler için) Sola eğimli kesimler yaparken alt bariyeri daima dışarı doğru ayarlayın.

Birleşik kesme

Birleşik kesme, bir iş parçası üzerinde gönye açısı ile kesme yapılırken aynı anda eğimli açılı yapılması işlemidir. Birleşik kesme, tabloda gösterilen açılarda gerçekleştirilebilir.

Eğim açısı	Gönye açısı
45°	Sol ve Sağ 0° - 45°

Birleşik kesim yaparken, "Kalıp kesme", "Gönye kesme" ve "Eğimli kesme" başlıklarında verilen açıklamalara başvurun.

Kartonpiyer ve iç bükey kartonpiyer kesme

Kartonpiyer ve iç bükey kartonpiyerler birleşik bir gönye kesme makinasında dönüş kaidesinin üzerine düz yatırılarak kesilebilir.

Yaygın olarak kullanılan iki tip kartonpiyer, bir tip de içbükey kartonpiyer uygulaması vardır. Bunlar; 52/38° duvar açılı kartonpiyer, 45° duvar açılı kartonpiyer ve 45° duvar açılı içbükey kartonpiyer.

► **Şek.29:** 1. 52/38° kartonpiyer 2. 45° kartonpiyer 3. 45° içbükey kartonpiyer

“İç” 90° köşelere uyan (şekilde (a) ve (b)) ve “Dış” 90° köşelere uyan (şekilde (c) ve (d)) kartonpiyer ve içbükey kartonpiyer bağlantıları bulunur.

► **Şek.30:** 1. İç köşe 2. Dış köşe

► **Şek.31:** 1. İç köşe 2. Dış köşe

Ölçüm

Duvar genişliğini ölçün ve iş parçasını genişliğe göre ayarlayın. İş parçasının duvara temas eden kenarının genişliğinin duvarın uzunluğu ile aynı olduğundan emin olun.

► **Şek.32:** 1. İş parçası 2. Duvar genişliği 3. İş parçasının genişliği 4. Duvara temas eden kenar

Testere açısını kontrol etmek için deneme kesimleri yapmak üzere mutlaka birkaç parça kullanın. Dış bükey ve iç bükey kartonpiyer kesimleri sırasında, eğim açısını ve gönye açısını tablo (A)'da gösterildiği gibi ayarlayın ve kartonpiyerleri tablo (B)'de gösterildiği gibi testere kaidesinin üst yüzeyine konumlandırın.

Sola eğimli kesimlerde

► **Şek.33:** 1. İç köşe 2. Dış köşe

Tablo (A)

-	Şekildeki kartonpiyer konumu	Eğim açısı		Gönye açısı	
		52/38° tipi	45° tipi	52/38° tipi	45° tipi
İç köşe için	(a)	Sol 33,9°	Sol 30°	Sağ 31,6°	Sağ 35,3°
	(b)			Sol 31,6°	Sol 35,3°
Dış köşe için	(c)	Sol 33,9°	Sol 30°	Sağ 31,6°	Sağ 35,3°
	(d)			Sol 31,6°	Sol 35,3°

Tablo (B)

-	Şekildeki kartonpiyer konumu	Kılavuz bariyerinin karşısındaki kartonpiyer kenarı	Tamamlanmış parça
İç köşe için	(a)	Tavana temas edecek kenar kılavuz bariyerine dayanmalıdır.	Bitirilen parça bıçağın Sol tarafında yer alacaktır.
	(b)	Tavana temas edecek kenar kılavuz bariyerine dayanmalıdır.	
Dış köşe için	(c)	Tavana temas edecek kenar kılavuz bariyerine dayanmalıdır.	Bitirilen parça bıçağın Sağ tarafında yer alacaktır.
	(d)	Tavana temas edecek kenar kılavuz bariyerine dayanmalıdır.	

Örneğin:

Yukarıdaki şekilde (a) ile gösterilen konum için 52/38° dış bükey kartonpiyer keserken:

- Eğim açısı ayarını 33,9° SOLA eğin ve ayarlayın.
- Gönye açısı ayarını 31,6° SAĞA ayarlayıp sabitleyin.
- Dış bükey kartonpiyeri geniş arka (görünmeyen) yüzeyi dönüş kaidesinin üzerine, TAVANA TEMAS EDECEK KENARI makine üzerindeki kılavuz bariyerine dayanacak şekilde yerleştirin.
- Kesim yapıldıktan sonra kullanılacak parçalardan biten kısım her zaman bıçağın SOL tarafında olacak.

Alüminyum doğramanın kesilmesi

► **Şek.34:** 1. Vida 2. Ara blok 3. Kılavuz bariyeri 4. Alüminyum doğrama 5. Ara blok

Alüminyum doğramaları sabitleirken, alüminyumun deforme olmasını önlemek için ara blokları veya hurda parçalarını kullanın. Bıçak üzerinde alüminyum malzeme birikmesini önlemek için alüminyum doğramayı keserken bir kesim yağı kullanın.

⚠DİKKAT: Asla kalın veya yuvarlak alüminyum doğramaları kesmeye çalışmayın. Kalın alüminyum doğramalar çalışma sırasında gevşeyebilir, yuvarlak alüminyum doğramalar ise bu aletle sıkı bir şekilde sabitlenemeyebilir.

Ahşap kaplama

⚠UYARI: Ahşap kaplamayı kılavuz bariyerine monte etmek için vidaları kullanın. Vidalar, vida başları ahşap kaplamanın yüzeyinin altında kalacak şekilde takılmalıdır, böylece kesilen malzemenin konumuna etki etmezler. Kesilen malzemenin yanlış hizalanması kesme işlemi sırasında beklenmeyen hareketlere, bu da kontrolün kaybedilmesine ve ciddi kişisel yaralanmalara sebep olabilir.

⚠DİKKAT: Ahşap kaplama olarak eşit kalınlıktaki düz bir tahtayı kullanın.

Ahşap kaplama kullanımı iş parçalarında kıymıksız kesim yapılmasına yardımcı olur. Kılavuz bariyerdeki delikleri kullanarak kılavuz bariyere bir ahşap kaplama takın. Tavsiye edilen bir ahşap kaplamanın boyutlarını öğrenmek için ilgili şekle bakın.

► **Şek.35:** 1. Delikler

ÖNEMLİ NOT: Ahşap kaplama takılı olduğunda, dönüş kadesini tutamak aşağı konumdayken çevirmeyin. Bıçağa ve/veya ahşap kaplamaya zarar gelebilir.

NOT: Maksimum kesim genişliği ahşap kaplamanın genişliğinden daha küçük olacaktır.

Aynı uzunlukta yinelenen kesimler yapma

Aynı uzunlukta çok sayıda parça keserken, (240 mm ilâ 380 mm arasında) ayar plakasını (isteğe bağlı aksesuar) kullanın. Ayar plakasını şekilde gösterildiği gibi tutucuya (isteğe bağlı aksesuar) monte edin.

► **Şek.36:** 1. Ayar plakası 2. Tutucu 3. Vida

İş parçanızın kesim çizgisini, kesim tahtasındaki çentiğin sağ veya sol tarafı ile hizalayın ve iş parçasını tutarken ayar plakasını iş parçasının ucu ile aynı hizaya getirin. Ardından ayar plakasını vida ile sabitleyin. Ayar plakası kullanılmadığında, vidayı gevşetin ve ayar plakasını kaldırın.

NOT: Tutucu-çubuk düzeneğinin kullanımı (isteğe bağlı aksesuar) yaklaşık 2.200 mm uzunluğa kadar yinelenen kesim yapmanızı sağlar.

Aletin taşınması

► **Şek.37:** 1. Durdurucu pim

Aletin fişten çekili olduğundan emin olun. Bıçağı 0° eğim açısında ve dönüş kadesini tam sol gönye açısında sabitleyin. Tutamağı tam aşağı indirin ve durdurucu pimi iterek alt konumda kilitleyin.

Aleti şekilde gösterildiği gibi taşıma amaçlı kavrama kolundan tutarak taşıyın. Tutucuları, toz torbasını ve benzeri parçaları çıkarırsanız aleti daha kolay taşıyabilirsiniz.

► **Şek.38**

⚠DİKKAT: Aleti taşımadan önce hareket eden tüm parçaları sabitleyin.

⚠DİKKAT: Durdurucu pim sadece taşıma ve saklama amaçları için tasarlanmıştır, kesim işlemlerinde kullanılmaz.

BAKIM

⚠UYARI: En iyi ve en güvenli performans için bıçağın daima temiz ve keskin olduğundan emin olun. Kör ve/veya kirli bir bıçakla kesim yapmaya çalışmak, geri tepmeye yol açabilir ya da ciddi kişisel yaralanmalara sonuçlanabilir.

⚠DİKKAT: Muayene ya da bakım yapmadan önce aletin kapalı ve fişinin çekili olduğundan daima emin olun.

ÖNEMLİ NOT: Benzin, tiner, alkol ve benzeri maddeleri kesinlikle kullanmayın. Renk değişimi, deformasyon veya çatlaklar oluşabilir.

Kesim açısının ayarlanması

Bu alet fabrikada dikkatli bir şekilde ayarlanmış ve hizalanmıştır fakat kötü bir şekilde taşımak hizalamayı bozabilir. Aletinizi doğru bir şekilde hizalanmamışsa aşağıdakileri gerçekleştirin:

Gönye açısı

► **Şek.39:** 1. Altıgen civata

Dönüş kadesini sabitleyen kavrama kolunu gevşetin. Dönüş kadesini, işaretçi gönye ölçeği üzerinde 0°'yi gösterecek şekilde döndürün. Kavrama kolunu sıkılayın ve kılavuz bariyerini sabitleyen altıgen civataları anahtarla gevşetin. İşaretçi gönye ölçeği üzerinde 0°'yi işaretlemiyorsa, işaretçiyi sabitleyen vidayı gevşetin ve işaretçi gönye ölçeği üzerinde 0°'yi gösterecek şekilde işaretçi plakasını sabitleyin.

Tutamağı tam aşağı indirin ve durdurucu pimi iterek alt konumda kilitleyin. Üçgen cetvel, ayarlı gönye vb. yardımcıyla bıçağın kenarını kılavuz bariyerin ön yüzüyle eşitleyin. Ardından sağ taraftan başlayarak sırayla kılavuz bariyer üzerindeki altıgen civataları iyice sıkılayın.

► **Şek.40:** 1. Üçgen cetvel

Eğim açısı

0° eğim açısı

► **Şek.41:** 1. 0° eğimli açılı ayarlama civatası

Tutamağı tam aşağı indirin ve durdurucu pimi iterek alt konumda kilitleyin.

Aletin arkasındaki topuzu gevşetin.

Altıgen somunu gevşetin ve bıçağı sağa doğru eğmek için dönüş kadesinin sağ tarafında yer alan 0° eğimli açılı ayarlama civatasını saat yönünde iki ya da üç tur döndürün. Üçgen cetvel, ayarlı gönye vb. yardımcıyla, 0° eğimli açılı ayarlama civatasını saatin aksi yönde döndürerek bıçağın kenarını dönüş kadesinin üst yüzüyle eşitleyin. Ardından, 0° eğimli açılı ayarlama civatasını sabitlemek için altıgen somunu sıkılayın, sonra da topuzu iyice sıkılayın.

Kol üzerindeki işaretçinin eğim ölçeği üzerinde 0°'yi gösterdiğinden emin olun. İşaretçi eğim ölçeği üzerinde 0°'yi işaretlemiyorsa, işaretçiyi sabitleyen vidayı gevşetin ve işaretçi eğim ölçeği üzerinde 0°'yi gösterecek şekilde işaretçi plakasını sabitleyin.

► **Şek.42:** 1. Üçgen cetvel 2. Testere bıçağı 3. Dönüş kadesinin üst yüzeyi

► **Şek.43:** 1. İşaretçi

45° eğim açısı

► **Şek.44:** 1. 45° eğimli açılı ayarlama civatası
2. İşaretçi

45° eğimli açığı sadece 0° eğimli açılı ayarını yaptıktan sonra kullanabilirsiniz.

Sola 45° eğimli açığı ayarlamak için, topuzu gevşetin ve bıçağı tam olarak sola doğru eğin.

Kol üzerindeki işaretçinin eğim ölçeği üzerinde 45°'yi gösterdiğinden emin olun.

İşaretçi 45°'yi göstermiyorsa, kolun sol tarafındaki 45° eğimli açılı ayarlama civatasını işaretçi 45°'yi gösterene kadar döndürün.

Karbon fırçaların değişmesi

► Şek.45

Karbon fırçaları düzenli olarak çıkarıp kontrol edin. 3 mm uzunluğuna kadar aşındıklarında değiştirin. Karbon fırçaların temiz ve tutucuları içinde serbestçe kayar durumda kalmalarını sağlayın. Her iki karbon fırça aynı zamanda değiştirilmelidir. Sadece birbirinin aynısı olan karbon fırçaları kullanın.

Fırça tutucu kapaklarını çıkarmak için bir tornavida kullanın. Aşınmış karbon fırçalarını dışarı çıkarın, yerlerine yenilerini geçirin ve fırça tutucu kapaklarını sıkıca takın.

► **Şek.46:** 1. Fırça tutucu kapağı 2. Tornavida

Kullanımdan sonra

Kullanımdan sonra, parçacıkları ve alete yapışan tozları nemli bir bez veya benzeri ile temizleyin. "Bıçak siperi" bölümünde anlatılan talimatlar uyarınca bıçak siperini temiz tutun. Paslanmayı önlemek için kızaklı bölümleri makine yağı ile yağlayın.

Aleti EMNİYETLİ ve ÇALIŞMAYA HAZIR durumda tutmak için onarımlar, başka her türlü bakım ve ayarlamalar daima Makita yedek parçaları kullanılarak Makita yetkili servis merkezleri veya Fabrikanın Servis Merkezleri tarafından yapılmalıdır.

İSTEĞE BAĞLI AKSESUARLAR

⚠ DİKKAT: Bu aksesuarlar ve ek parçalar bu el kitabında belirtilen Makita aletiniz ile kullanılmak için tavsiye edilmektedir. Herhangi başka bir aksesuar ya da ek parça kullanılması insanlar için bir yaralanma riski getirebilir. Aksesuarları ya da ek parçaları yalnızca belirtilmiş olan kullanım amaçlarına uygun olarak kullanın.

Bu aksesuarlarla ilgili daha fazla bilgiye ihtiyaç duysanız bulunduğunuz yerdeki yetkili Makita servisine başvurun.

- Çelik ve Karbid uçlu testere bıçakları (Kesilecek materyalde kullanılacak doğru testere bıçakları için web sitemize bakın veya Makita satıcınıza başvurun.)

NOT: Listedeki parçaların bazıları alet paketi içerisinde standart aksesuar olarak dahil edilmiş olabilir. Bunlar ülkeden ülkeye farklılık gösterebilir.

Makita Europe N.V.

Jan-Baptist Vinkstraat 2, 3070 Kortenberg, Belgium

Makita Corporation

3-11-8, Sumiyoshi-cho, Anjo, Aichi 446-8502 Japan

www.makita.com



M2300-10L-2310
EN, FR, DE, IT, NL,
ES, PT, DA, EL, TR
20211029