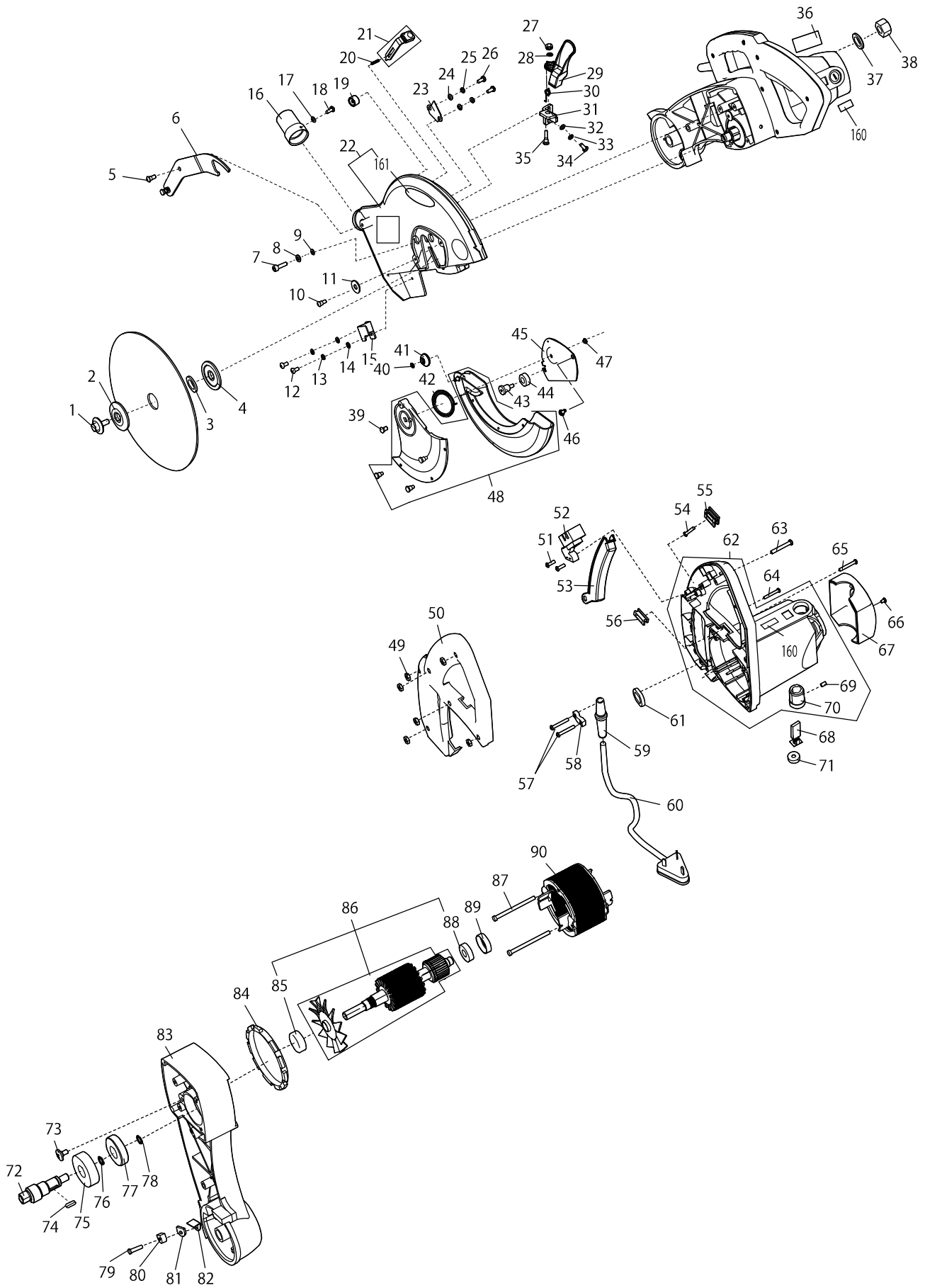
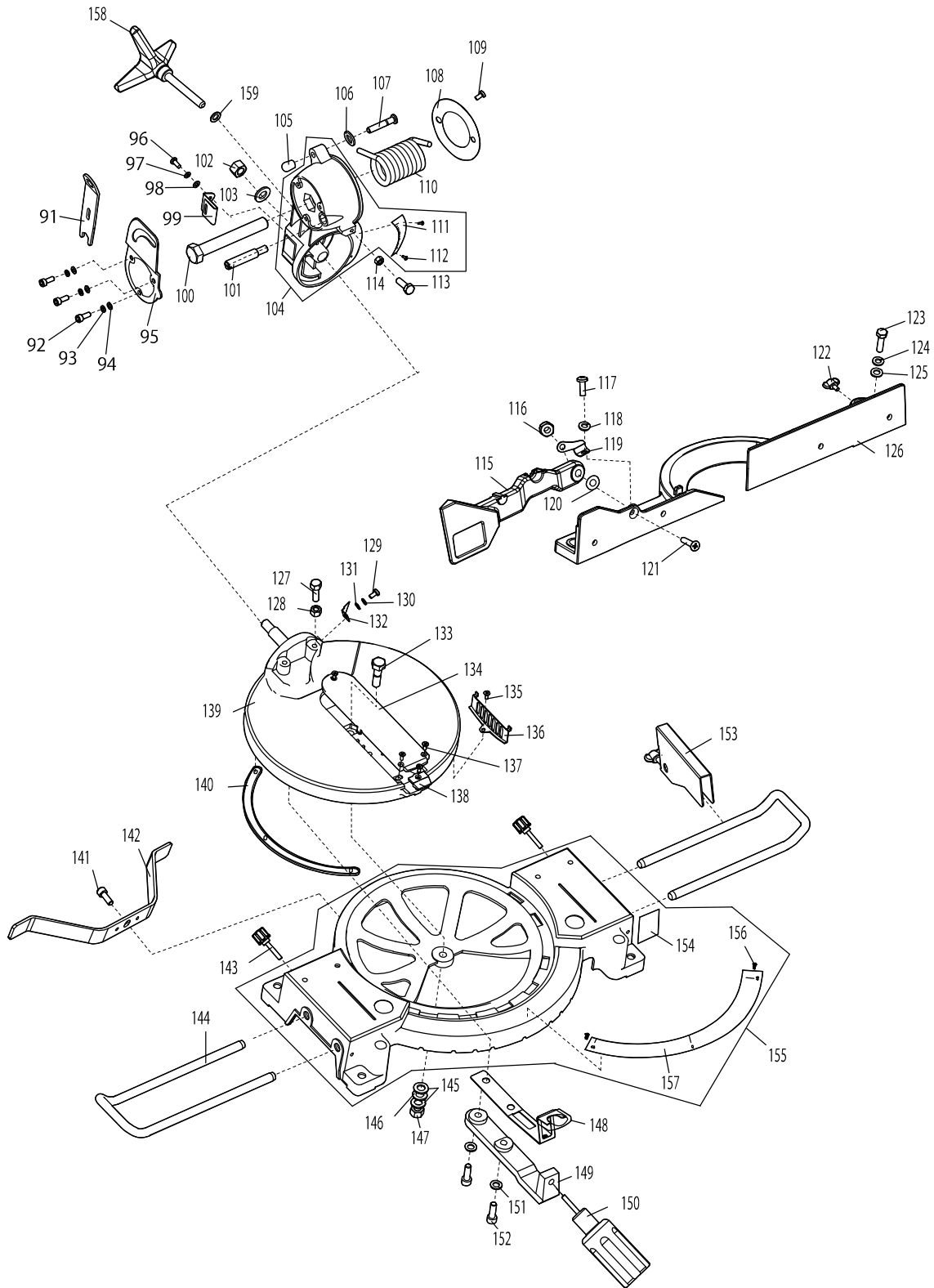


Numéro du modèle M2300 255MM COMPOUND MITER SAW



Numéro du modèle M2300 255MM COMPOUND MITER SAW



Numéro du modèle M2300 255MM COMPOUND MITER SAW

Position	Référence pièce	Description	Echelle	QTE	N/O	Option 1	Option 2	COMMENTAIRE
001	JM23000054	BLADE LOCK BOLT		1		P1		
002	JM23000065	FLANGE		1		P5		
004	JM23000065	FLANGE		1		P5		
005	JM23000057	STEPPED BOLT M6		1		P1		
006	JM23000058	LINK COMP.		1		P7		
007	JM23000052	HEX. SOCKET HEAD BOLT M6 X 20		4		P1		
008	JM23000040	SPRING WASHER6		4		P1		
009	JM23000041	FLAT WASHER6		4		P1		
010	JM23000055	STEPPED BOLT M5		1		P1		
011	JM23000056	BUSH		1		P1		
012	JM23000032	PAN HEAD SCREW M5 X 10		2		P1		
013	JM23000031	SPRING WASHER5		2		P1		
014	JM23000030	FLAT WASHER5		2		P1		
015	JM23000053	PLATE		1		P1		
016	JM23000059	DUST NOZZLE		1		P3		
017	JM23000030	FLAT WASHER5		1		P1		
018	JM23000060	PAN HEAD SCREW M4		1		P1		
019	JM23000063	LIMIT RING		1		P3		
020	JM23000066	LOCK SPRING		1		P3		
021	JM23000067	SHAFT LOCK		1		P3		
022	JM23000061	BLADE CASE COMP		1				
D10		INC. 22						
023	JM23000068	COVER		1		P1		
024	JM23000030	FLAT WASHER5		2		P1		
025	JM23000031	SPRING WASHER5		2		P1		
026	JM23000069	PAN HEAD SCREW M5 X 12		2		P1		
027	JM23000139	ANTI-LOOSE NUTM5		1		P1		
028	JM23000030	FLAT WASHER5		1		P1		
029	JM23000133	LOCK LEVER		1		P1		
030	JM23000134	SPRING		1		P2		
031	JM23000132	BRACKET		1		P2		
032	JM23000136	FLAT WASHER4		2		P1		
033	JM23000137	SPRING WASHER4		2		P1		
034	JM23000138	PAN HEAD SCREW M4 X 8		2		P1		
035	JM23000135	SCREW M5		1		P1		
036	JM23000083	NAME PLATE		1				
037	JM23000070	FLAT WASHER16		1		P1		
038	JM23000071	ANTI-LOOSE NUT16		1		P1		
039	JM23000074	SQUARE NECK BOLTM6X10		1		P1		
040	JM23000076	E RING		1		P1		
041	JM23000075	WHEEL		1		P1		
042	JM23000073	TORSION SPRING		1		P5		
043	JM23000077	STEPPED BOLT M6		1		P1		
044	JM23000078	RUBBER SLEEVE		1		P2		
045	JM23000079	FIX PLATE		1		P2		
046	JM23000081	STEPPED BOLT M5		1		P1		
047	JM23000080	ANTI-LOOSE NUTM6		1		P1		
048	JM23000072	SAFETY COVER COMP.		1		P23		

Position	Référence pièce	Description	Echelle	QTE	N/O	Option 1	Option 2	COMMENTAIRE
049	JM23000096	HEX.NUTM4		6		P1		
050	JM23000097	HANDLE COVER		1				
051	JM23000113	SELF TAPING SCREWST 3X8		2		P1		
052	JM23000112	SWITCHCB21-B		1		P10		
053	JM23000114	SWITCH LEVER		1		P2		
054	JM23000115	SELF TAPING SCREWST4.2X12		1		P1		
055	JM23000116	TERMINAL BASE		1		P3		
056	JM23000111	CLAMP		1		P1		
057	JM23000106	SELF TAPING SCREWST4.2X12		2		P1		
058	JM23000107	STRAIN RELIEF		1		P1		
059	JM23000109	CORD GUARD		1		P2		
060	JM23000156	POWER SUPPLY CORD		1		P20		
061	JM23000110	NOISE SUPPRESSOR		1		P1		
062	JM23000212	MOTOR HOUSING COMP.		1				
D10		INC. 69,70,160						
063	JM23000118	PAN HEAD SCREW M4X30		5		P1		
064	JM23000119	SELFTAPPING SCREW		1		P1		
065	JM23000118	PAN HEAD SCREW M4X30		4		P1		
066	JM23000124	SELF TAPING SCREWST5.2X12		2		P1		
067	JM23000125	MOTOR REAR COVER		1		P1		
068	JM23000123	CARBON BRUSH		2		P3		
069	JM23000122	HEX. SOCKET HEAD BOLT M5 X 8		2		P1		
070	JM23000121	BRUSH HOLDER		2		P3		
071	JM23000120	BRUSH HOLDER CAP		2		P1		
072	JM23000084	SPINDLE		1		P5		
073	JM23000090	PAN HEAD SCREW M6		1		P1		
074	JM23000085	KEY5X10		1		P1		
075	JM23000086	BALL BEARING 6304-RZ		1		P4		
076	JM23000087	SPACE RING 20		1		P1		
077	JM23000088	HELICAL GEAR		1		P10		
078	JM23000089	SPACE RING 16		1		P1		
079	JM23000092	PAN HEAD SCREW M5 X 20		1		P1		
080	JM23000093	LIMIT PLATE		1		P1		
081	JM23000094	LIMIT PAD		1		P1		
082	JM23000095	ADJUST PAD		1		P1		
083	JM23000091	GEAR HOUSING COMP.		1		P28		
084	JM23000098	FAN GUIDE		1		P3		
085	JM23000099	BALL BEARING 6201Z		1		P6		
086	JM23000100	ARMATURE ASS'Y (230V)		1		P32		
D10		INC. 85,88						
087	JM23000101	SELF TAPING SCREWST4.8X70		2		P1		
088	JM23000102	BALL BEARING 6001Z		1		P6		
089	JM23000103	RUBBER RING		1		P1		
090	JM23000104	FIELD ASS'Y (230V)		1		P32		
091	JM23000130	WRENCH		1		A1		
092	JM23000039	PAN HEAD SCREW M6 X 16		3		P1		
093	JM23000040	SPRING WASHER6		3		P1		
094	JM23000041	FLAT WASHER6		3		P1		

Position	Référence pièce	Description	Echelle	QTE	N/O	Option 1	Option 2	COMMENTAIRE
095	JM23000038	LINK SUPPORT PLATE		1		P2		
096	JM23000032	PAN HEAD SCREW M5 X 10		1		P1		
097	JM23000031	SPRING WASHER5		1		P1		
098	JM23000030	FLAT WASHER5		1		P1		
099	JM23000042	CLIP		1		P2		
100	JM23000037	SHAFT		1		P5		
101	JM23000049	LIMIT PIN		1		P1		
102	JM23000044	ANTI-LOOSE NUTM12		1		P1		
103	JM23000045	FLAT WASHER12		1		P1		
104	JM23000036	ARM COMPLETE		1		P24		
D10		INC. 111,112						
105	JM23000046	LOCK PIN CAP		1		P1		
106	JM23000047	O RING		1		P1		
107	JM23000048	PIN		1		P1		
108	JM23000051	RING		1		P2		
109	JM23100014	CROSS HEAD SCREW M4X15		1		P1		
110	JM23000050	TORSIONAL SPRING		1		P10		
111	JM23000035	SCALE LABEL		1		P2		
112	JM23000034	RIVET		2		P1		
113	JM23000033	HEX. BOLT M8X16		1		P1		
114	JM23000028	HEX. NUT M8		1		P1		
115	JM23000203	SUB FENCE		1				
116	JM21000033	LOCKING NUT M6		1		P1		
117	JM23100014	CROSS HEAD SCREW M4X15		1		P1		
118	JM23000137	SPRING WASHER4		1		P1		
119	JM23000202	FIX PLATE		1				
120	JM23300239	FENCE PRESS PLAT		1				
121	JM23000201	COUNTERSUNK HEAD SCREW M6X25		1				
122	JM23000126	WING BOLT		2		P1		
123	JM23000024	HEX.BOLT M8X30		4		P1		
124	JM23000025	SPRING WASHER8		4				
125	JM23000026	FLAT WASHER8		4		P1		
126	JM23000204	GUIDE RULE		1				
127	JM23000027	HEX. BOLT M8 X 20		2		P1		
128	JM23000028	HEX. NUT M8		2		P1		
129	JM23000032	PAN HEAD SCREW M5 X 10		1		P1		
130	JM23000031	SPRING WASHER5		1		P1		
131	JM23000030	FLAT WASHER5		1		P1		
132	JM23000029	BEVEL POINTER		1		P1		
133	JM23000019	PIVOT		1		P3		
134	JM23000020	KERF BOARD		1				
135	JM23000018	COUNTERSUNK HEAD SCREW M4X10		1		P1		
136	JM23000022	PROTECTION NET		1		P3		
137	JM23000018	COUNTERSUNK HEAD SCREW M4X10		4		P1		
138	JM23000017	MITER ANGLE POINTER		1		P1		
139	JM23000021	TURN BASE COMP.		1		P32		
140	JM23000016	SLIDE PLATE		2		P2		
141	JM23000012	SCREW		1		P1		

Position	Référence pièce	Description	Echelle	QTE	N/O	Option 1	Option 2	COMMENTAIRE
142	JM23000011	BASE SUPPORTER		1		P5		
143	JM23000006	LOCK KNOB FOR EXT.WINGS		2		P2		
144	JM23000127	HOLDER SET		2		A17		
145	JM23000013	FLAT WASHER10		2		P1		
146	JM23000014	SADDLE SHAPE WASHER		1		P1		
147	JM23000015	ANTI-LOOSE NUTM10		1		P1		
148	JM23000200	KNOCK SPRING SET		1		P6		
149	JM23000002	HANDLE BRACKET		1		P5		
150	JM23000001	GRIP		1		P3		
151	JM23000003	SPRING WASHER8		2		P1		
152	JM23000004	HEX. SOCKET HEAD BOLT M8 X 20		2		P1		
153	JM23000128	SET PLATE		1		A3		
154	810965-6	CAUTION LABEL		1		P2		
155	JM23000009	BASE COMP		1		P30		
D10		INC. 154,156,157						
156	JM23000008	RIVET		2		P1		
157	JM23000007	MITER ANGLE LABEL		1		P2		
158	JM23000043	KNOB		1				
159	JM23000013	FLAT WASHER10		1		P1		
160	810964-8	CAUTION LABEL		1		P3		
161	JM23080143	LOGO LABEL		1				
A01	JM23010001	SUB FENCE COMPLETE		1				
A02	JM23010002	SUB FENCE COMPLETE		1				
A03	JM23380067	LABEL		1				
A04	JM23380068	LABEL		1				