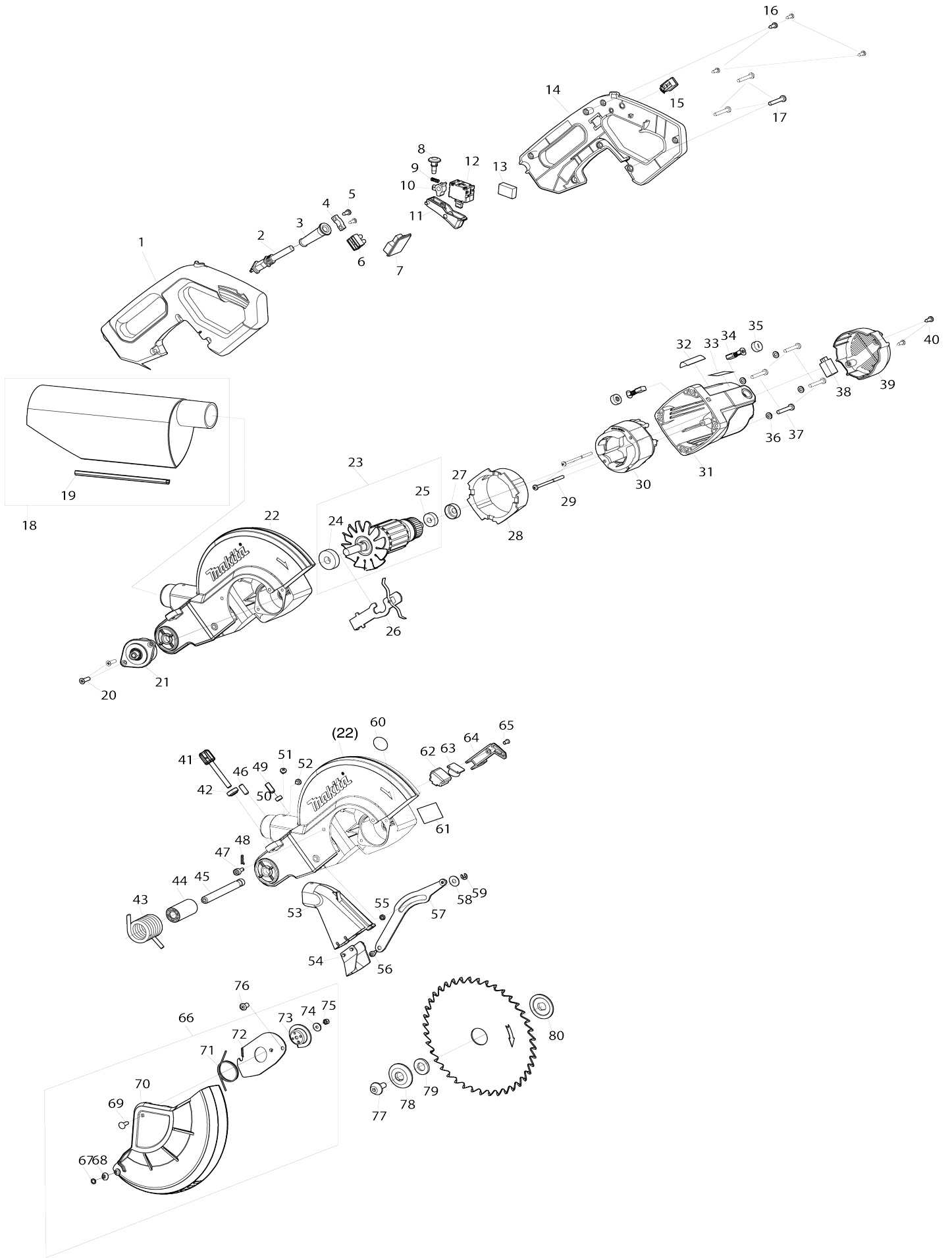
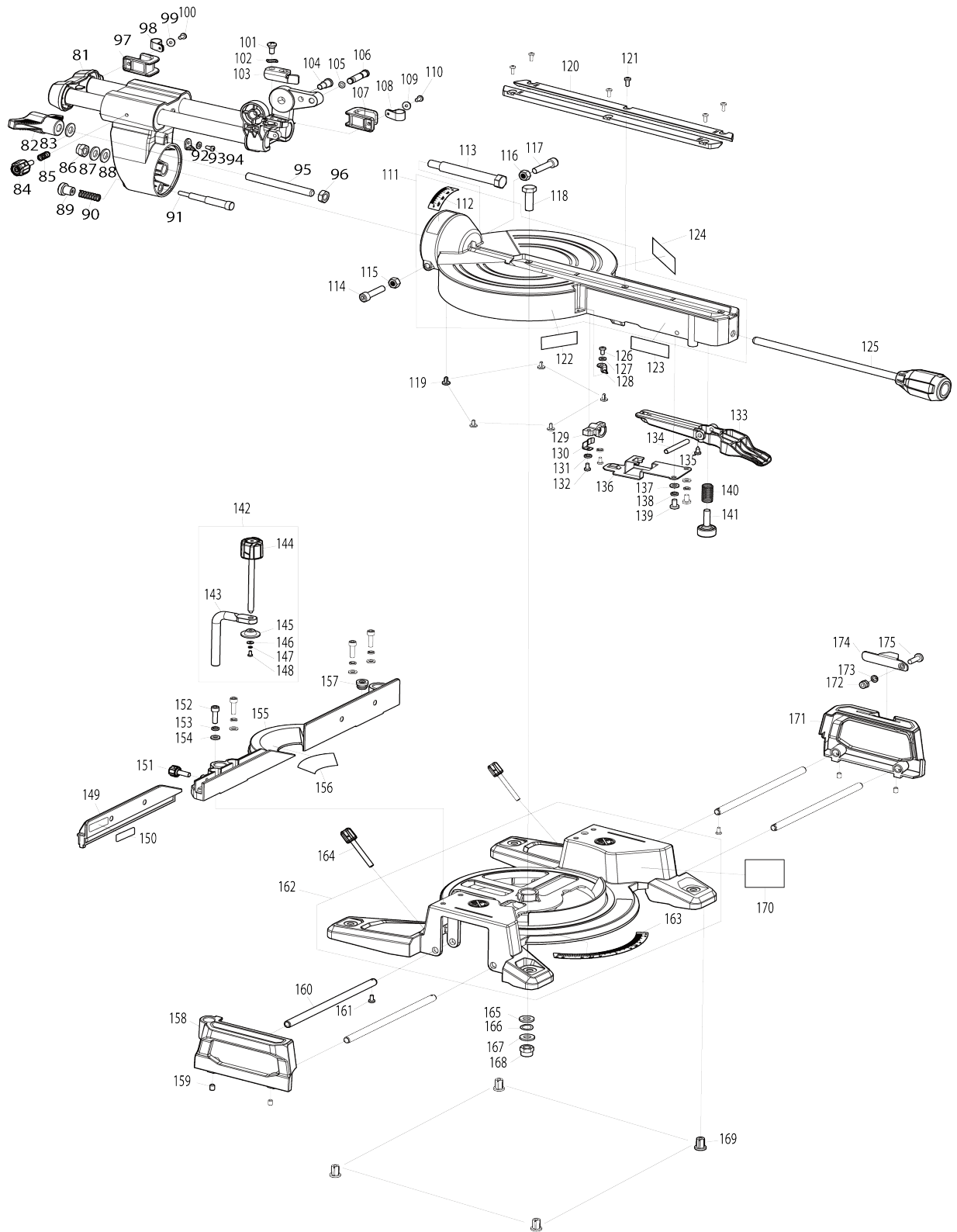


Model No.LS1110F 260MM SLIDE COMPOUND MITER SAW



Model No.LS1110F 260MM SLIDE COMPOUND MITER SAW



Model No.LS1110F 260MM SLIDE COMPOUND MITER SAW

Numé ro d'a rticle	N ° de pièces	Description	Interc hang eabilit é	Q'ty	Nouv elle / ancie nne	Note 1	Note 2
001	JM00000648	HANDLE LEFT		1			
002	JM23000154	PW SUPPLY CORD H05VV-F 1-2 E U		1			
003	JM23100165	TUBE DE PROTECTION		1			
004	JM00000584	CORD CLAMP		1			
005	JM00000548	TAPPING SCREW ST4.2X13		2			
006	JM23100171	BORNE DE BRANCHEMENT		1			
007	JM00000573	PW CIRCUIT FOR LED LAMP		1			
008	JM23100177	CLE CIRCUIT FREINAGE		1			
009	JM00000582	COMPRESSION SPRING		1			
010	JM00000581	LOCK OFF LINK ROCKER		1			
011	JM00000575	SWITCH LEVER		1			
012	JM00000577	SWITCH		1			
013	JM23100169	CONDENSATEUR		1			
014	JM00000647	HANDLE RIGHT		1			
015	JM00000579	LAMP SWITCH		1			
016	JM00000548	TAPPING SCREW ST4.2X13		4			
017	JM00000551	PAN HEAD SCREW M5X30		3			
018	JM00000624	DUST BAG ASSY		1			
D10		INC. 19					
019	JM00000534	DUST BAG CLAMP		1			
020	JM27000317	VIS M5X16		2			
021	JM00000643	OUTPUT SHAFT ASSEMBLY		1			
022	JM00000623	UPPER BLADE GUARD COMP		1	*		
022-1	JM00000699	UPPER BLADE GUARD COMP	X	1			
023	JM00000645	ARMATURE ASSY (230V)		1			
D10		INC. 24,25					
024	JM23500137	ROULEMENT BILLES 6201		1			
025	JM23200032	ROULEMENT 6001		1			
026	JM00000644	SPINDLE LOCK LEVER COMPLETE		1			
027	JM23100172	RONDELLE		1			
028	JM00000625	BUFFLE PLATE		1			
029	JM00000660	SELF TAPPING SCREW ST5X60		2			
030	JM00000626	FIELD 230V		1			
031	JM00000629	MOTOR HOUSING ASSY		1			
032	JM00000635	NAME PLATE EU		1			
034	JM23000123	CHARBONS		1			
035	JM23100182	CAPUCHON DE VIS		2			
036	JM23100007	RONDELLE 5		4			
037	JM00000551	PAN HEAD SCREW M5X30		4			
038	JM00000662	SOFT START PCB UNIT 220-240V		1			
039	JM00000661	MOTOR END COVER		1			
040	JM00000548	TAPPING SCREW ST4.2X13		2			
041	JM00000444	KNOB BOLT M6X46		1			
042	JM00000536	KNURLED NUT M6		1			
043	JM00000611	TORSION SPRING 38		1			
044	JM00000610	SPRING BUSH		1			
045	JM00000609	PIVOT SHAFT 12X119		1			

046	JM00000537	HEX SOCKET SET SCREW M6X16		1		
047	JM00000532	HEX SOCKET HEAD BOLT M6X18		1		
048	JM00000531	R-PIN 6		1		
049	JM00000538	SET SCREW M6X18		1		
050	JM23100035	ANNEAU DE SERRAGE		1		
051	JM00000460	TAPPING SCREW ST4.2X9.5		1		
052	JM00000460	TAPPING SCREW ST4.2X9.5		1		
053	JM00000618	DUST PORT		1		
054	JM00000619	DUST CHUTE PLATE		1		
055	JM23100098	BAGUE		1		
056	JM00000495	STEPPED H.S.H.BOLT M6X10		1		
057	JM00000621	LINK PLATE COMP		1		
058	JM23100071	RONDELLE 6		1		
059	JM00000525	STOP RING E-5		1		
060	JM00000589	CAUTION LABEL		1		
062	JM00000540	LED LAMP BOX		1		
063	JM00000541	LED LAMP COMP		1		
064	JM00000622	LED WIRE COVER		1		
065	JM23100065	VIS M4X8		1		
066	JM00000613	LOWER BLADE GUARD ASSY		1		
D10		INC. 67-75				
067	JM00000503	PUSH NUT 5		1		
068	JM00000504	GUARD WHEEL		1		
069	JM00000614	SQUARE NECK BOLT M5X16		1		
070	JM00000615	LOWER BLADE GUARD		1		
071	JM00000507	TORSION SPRING 40		1		
072	JM00000616	GUARD FIX PLATE		1		
073	JM00000617	BOWL PLATE		1		
074	JM00000510	FLAT WASHER 5L		1		
075	JM23100141	ECROU M5		1		
076	JM00000530	STEPPED TRASS HEAD BOLT M6X 10		1		
077	JM00000620	HEX SOCKET HEAD BOLT M8X20 LH		1		
078	JM23100124	FLASQUE		1		
079	JM27000100	ANNEAU		1		
080	JM23100124	FLASQUE		1		
081	JM00000612	SLIDING ARM ASSY		1		
082	JM00000477	WING NUT M10		1		
083	JM23100010	RONDELLE 10		1		
084	JM00000478	KNOB BOLT M6X20		1		
085	JM00000479	COMPRESSION SPRING 9X18		1		
086	JM23100009	ECROU M10		1		
087	JM23100010	RONDELLE 10		1		
088	JM23100010	RONDELLE 10		1		
089	JM00000480	KNOB NUT M5		1		
090	JM00000481	COMPRESSION SPRING 10X32		1		
091	JM00000608	BEVEL STEP STOPPER BOLT M5X 18		1		
092	JM00000482	BEVEL SCALE POINTER		1		
093	JM23100016	RONDELLE 4		1		
094	JM23100065	VIS M4X8		1		

095	JM00000607	HEX SOCKET SCREW ROD M10X120	1		
096	JM23000015	ECROU NYLSTOP 10	1		
097	JM00000501	CORD REEL HOOK	1		
098	JM00000500	CORD CLIP	1		
099	JM00000499	BIG FLAT WASHER 5	1		
100	JM00000498	PAN HEAD SCREW M5X16	1		
101	JM00000517	STEPPED PAN HEAD SCREW M6X10	1		
102	JM23100094	RONDELLE	1		
103	JM00000516	CUTTING DEPTH ADJUSTABLE PLATE	1		
104	JM00000515	H.S.H. SPECIAL BOLT M10X10	1		
105	JM23100150	ANNEAU D'ETANCHEITE	1		
106	JM00000496	LOCK PIN	1		
107	JM00000501	CORD REEL HOOK	1		
108	JM00000500	CORD CLIP	1		
109	JM00000499	BIG FLAT WASHER 5	1		
110	JM00000498	PAN HEAD SCREW M5X16	1		
111	JM00000605	TURN TABLE COMPLETE	1		
D10		INC. 112			
112	JM00000606	SUPPORT ARM SCALE LABEL	1		
113	JM00000467	CONNECTION SHAFT BOLT M10X20	1		
114	JM00000603	HEX SOCKET HEAD BOLT M8X40	1		
115	JM23000028	ECROU HEX M8	1		
116	JM23000028	ECROU HEX M8	1		
117	JM00000603	HEX SOCKET HEAD BOLT M8X40	1		
118	JM00000468	HEX BOLT M10X45	1		
119	JM00000453	SLIDING FOOT	5		
120	JM00000476	KERF BOARD	2		
121	JM23100033	VIS M4X12	6		
123	JM23180057	MARQUAGE MAKITA	1		
125	JM00000463	GRIP BOLT M10X244	1		
126	JM23100065	VIS M4X8	1		
127	JM23100016	RONDELLE 4	1		
128	JM00000465	TURN BASE POINTER	1		
129	JM00000454	BACK SUPPORT	1		
130	JM00000455	LOCK PLATE	1		
131	JM23100015	RONDELLE 4	2		
132	JM00000456	PAN HEAD SCREW M4X16	2		
133	JM00000459	POSITION LOCK LEVER	1		
134	JM00000464	PIN 6X50	1		
135	JM00000460	TAPPING SCREW ST4.2X9.5	1		
136	JM00000457	POSITION SPRING PLATE	1		
137	JM23100041	RONDELLE	2		
138	JM23100151	RONDELLE 6	2		
139	JM00000604	PAN HEAD SCREW M6X12	2		
140	JM00000461	COMPRESSION SPRING 14.5X25	1		
141	JM00000462	FOOT BOLT M8X23	1		
142	JM00000432	VERTICAL VISE SET	1		
D10		INC. 143-148			
143	JM00000474	VISE ARM	1		

144	JM00000475	KNOB BOLT M10X128		1		
145	JM00000473	PRESSURE PLATE		1		
146	JM00000472	FLAT WASHER 4 XL		1		
147	JM23100015	RONDELLE 4		1		
148	JM23100033	VIS M4X12		1		
149	JM00000602	SUB FENCE		1		
150	JM23580063	CAUTION LABEL		1		
151	JM00000449	KNOB BOLT M6X18		1		
152	JM00000450	HEX SOCKET HEAD BOLT M8X20		4		
153	JM23100061	RONDELLE 8		4		
154	JM23100060	RONDELLE 8		4		
155	JM00000601	RIP FENCE		1		
157	JM00000446	WRENCH HOLDER SLEEVE		1		
158	JM00000433	LEFT EXTENSION TABLE		1		
159	JM23100087	VIS M6X8		4		
160	JM00000434	EXTENSION PIPE 10X210		4		
161	JM00000435	PAN HEAD SCREW M4X8		2		
162	JM00000600	BASE COMP		1		
D10		INC. 163				
163	JM00000439	MITER SCALE LABEL		1		
164	JM00000444	KNOB BOLT M6X46		2		
165	JM23100010	RONDELLE 10		1		
166	JM00000437	WAVE WASHER 10		1		
167	JM23100010	RONDELLE 10		1		
168	JM23100009	ECROU M10		1		
169	JM00000436	RUBBER FOOT		4		
170	JM23180056	CAUTION LABEL		1		
171	JM00000442	RIGHT EXTENSION TABLE		1		
172	JM00000441	HEX. LOCK NUT M6		1		
173	JM23100041	RONDELLE		1		
174	JM00000443	SET PLATE		1		
175	JM00000074	PAN HEAD SCREW M6X20		1		
A01	D-77322	TCT SAW 260X40T		1		
A02	JM00000445	UNI.HEX KEY WRENCH 6MM & P H2		1		

Veuillez indiquer les pièces n ° lorsque votre commande.

Date d'impression 08/29/2024