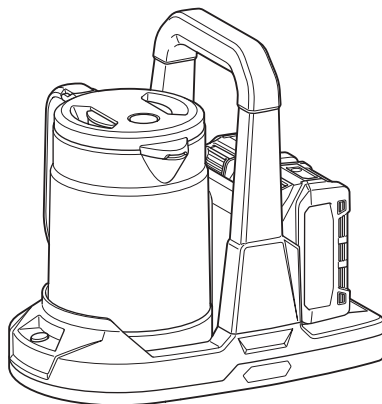




EN	Cordless Kettle	INSTRUCTION MANUAL	4
SV	Batteridrivnen vattenkokare	BRUKSANVISNING	12
NO	Batteridrevet vannkoker	BRUKSANVISNING	20
FI	Akkukäyttöinen vedenkeitin	KÄYTTÖOHJE	28
DA	Ledningsfri elkedel	BRUGSANVISNING	36
LV	Bezvadu tējkanna	LIETOŠANAS INSTRUKCIJA	44
LT	Belaidis virduļys	NAUDOJIMO INSTRUKCIJA	52
ET	Juhtmeta veekeetja	KASUTUSJUHEND	60
RU	Аккумуляторный чайник	РУКОВОДСТВО ПО ЭКСПЛУАТАЦИИ	68
KK	Аккумуляторлық шайнек	ПАЙДАЛАНУ ЖӨНІНДЕГІ НҰСҚАУЛЫҚ	77

KT001G



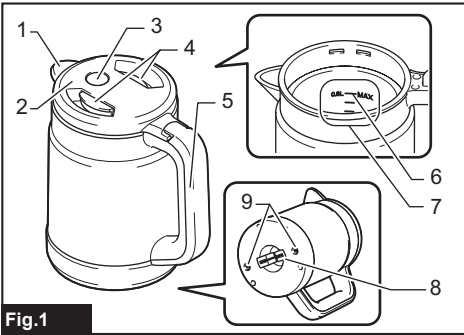


Fig.1

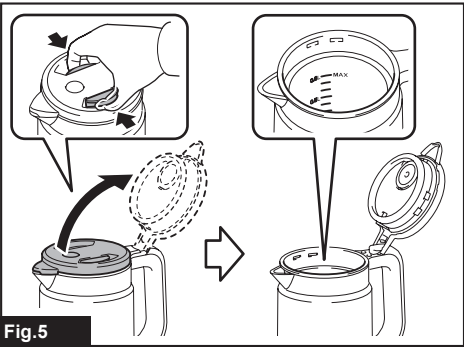


Fig.5

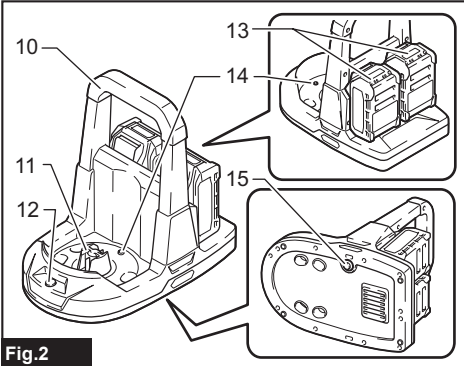


Fig.2

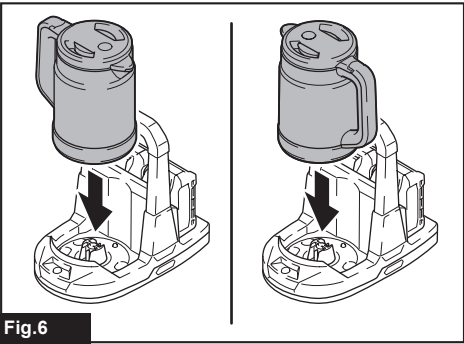


Fig.6

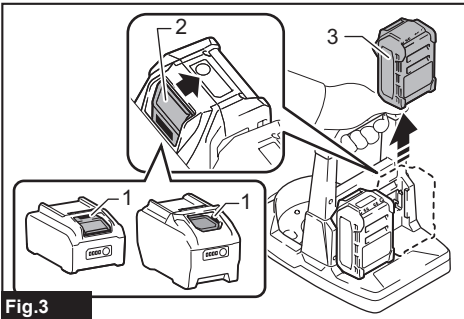


Fig.3

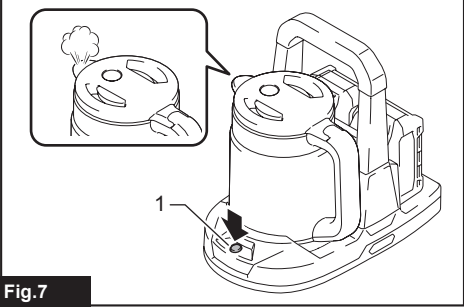


Fig.7

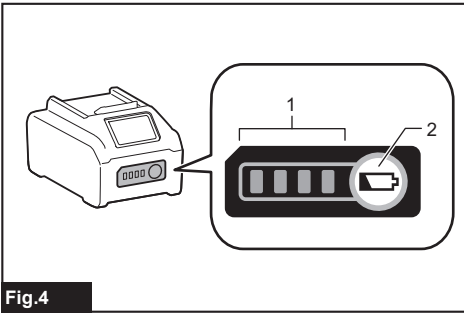
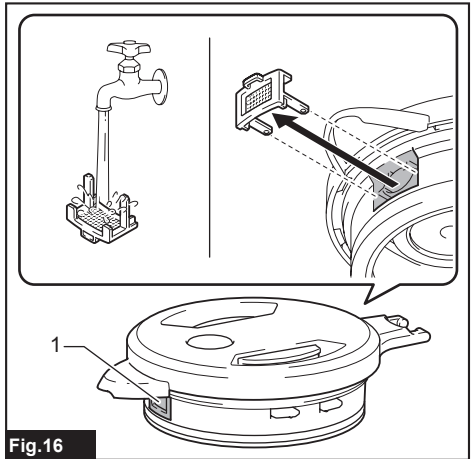
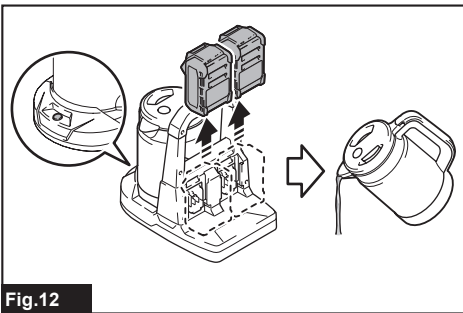
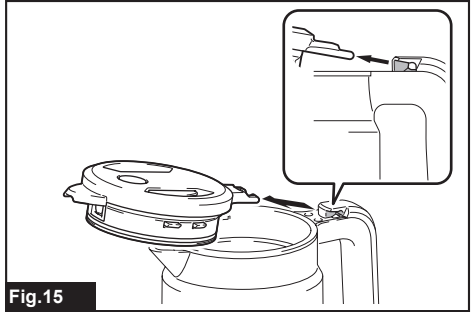
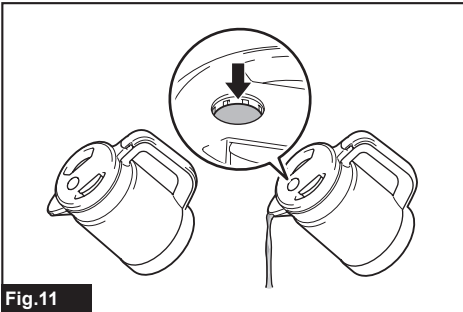
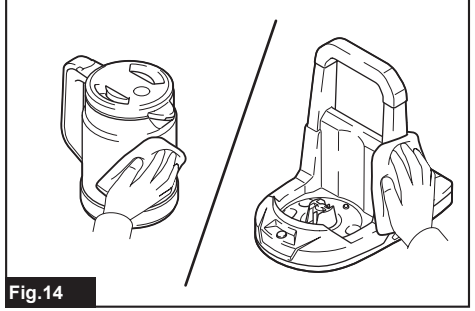
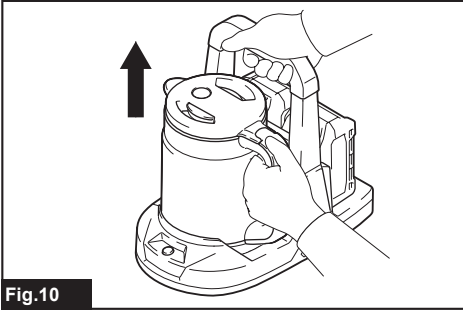
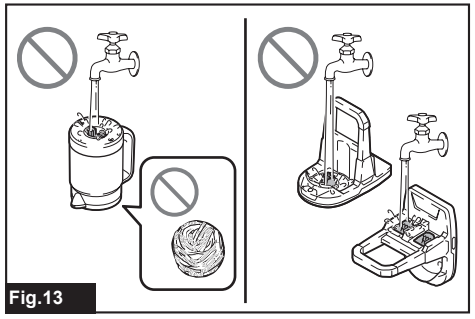
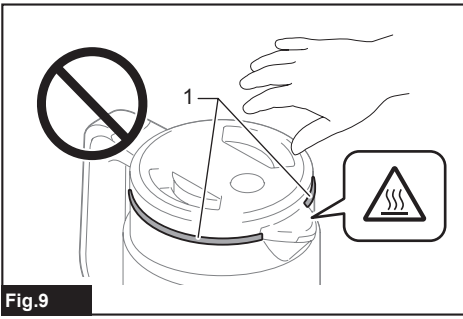


Fig.4



Fig.8



WARNING

- For users in Europe:
This appliance can be used by children aged from 8 years and above if they have been given supervision or instruction concerning use of the appliance in a safe way and if they understand the hazards involved. Cleaning and user maintenance shall not be made by children unless they are older than 8 and supervised. Keep the appliance and its cord out of reach of children aged less than 8 years. Appliances can be used by persons with reduced physical, sensory or mental capabilities or lack of experience and knowledge if they have been given supervision or instruction concerning use of the appliance in a safe way and understand the hazards involved. Children shall not play with the appliance.
- For users in areas other than Europe:
This appliance is not intended for use by persons (including children) with reduced physical, sensory or mental capabilities, or lack of experience and knowledge, unless they have been given supervision or instruction concerning use of the appliance by a person responsible for their safety. Children should be supervised to ensure that they do not play with the appliance.
- See the chapter “MAINTENANCE” for the appropriate details of precautions during user maintenance.
- See the chapter “SPECIFICATIONS” for the type reference of the battery.
- See the section “Installing or removing battery cartridge” for how to remove or install the battery.
- When disposing the battery cartridge, remove it from the tool and dispose of it in a safe place. Follow your local regulations relating to disposal of battery.
- If the tool is not used for a long period of time, the battery must be removed from the tool.
- Do not short the battery cartridge.
- This appliance is intended to be used in household and similar applications such as:
 - staff kitchen areas in shops, offices and other working environments;
 - farm houses;
 - by clients in hotels, motels and other residential type environments;
 - bed and breakfast type environments.
- To protect against fire, electric shock, do not immerse the appliance and battery in water or in any other liquid.
- Do not overfill water in the appliance. Boiled water may be ejected and cause burn injury.
- **WARNING: Do not remove the lid while the water is boiling.**
- It is a battery-operated appliance, the battery being charged outside the appliance.
- Rechargeable batteries are to be removed from the appliance before being charged.
- Batteries are to be inserted with the correct polarity.
- Exhausted batteries are to be removed from the appliance and safely disposed of.
- Avoid spilling any liquid on the power supply connectors or the battery terminals.
- This appliance is water kettle for boiling water and there is potential of injury from misuse.

SPECIFICATIONS

Model:	KT001G
Rated voltage	D.C. 36 V - 40 V max
Capacity	0.8 L
Dimensions (L x W x H)	235 x 322 x 307 mm (without battery cartridge)
Net weight *1 (The combined value of the kettle and the power supply stand)	2.8 - 5.9 kg (with battery cartridges)
Net weight (The kettle only)	1.0 kg
Net weight (The power supply stand only)	1.1 kg (without battery cartridge)
Estimated boiling time *2	approx. 8 min. (when boiling 0.8 L 23 °C water at ambient temperature is 23 °C)

*1 The lightest and heaviest combination weight of the kettle, the power supply stand, and battery cartridges are shown in the table.

*2 Values may differ depending on battery type, charging status, and usage condition.

- Due to our continuing program of research and development, the specifications herein are subject to change without notice.
- Specifications may differ from country to country.

Amount of water that can be boiled

Battery cartridge (Full charged)	Amount of water that can be boiled*
BL4020 x 2	1.1 L
BL4025 x 2	1.2 L
BL4040 x 2	2.2 L
BL4050F x 2	3.0 L
BL4080F x 2	4.9 L
PDC1200	11.4 L

* When boiling 23 °C water at ambient temperature is 23 °C

NOTE: Amounts are approximate and may differ depending on battery type, charging status, and usage condition.

NOTE: The amount of water that can be boiled with one battery is about half of the amount when using two batteries.

Applicable battery cartridge and charger

Battery cartridge	BL4020 / BL4025 / BL4040 / BL4050F / BL4080F
Charger	DC40RA / DC40RB / DC40RC

- Some of the battery cartridges and chargers listed above may not be available depending on your region of residence.

⚠WARNING: Only use the battery cartridges and chargers listed above. Use of any other battery cartridges and chargers may cause injury and/or fire.

Recommended cord connected power source

Portable power pack	PDC1200
---------------------	---------

- The cord connected battery pack(s) listed above may not be available depending on your region of residence.
- Before using the cord connected battery pack, read instruction and cautionary markings on them.

Symbols

The followings show the symbols which may be used for the equipment. Be sure that you understand their meaning before use.



Read instruction manual.



Warning: Hot surface. Risk of burns. Do not touch until cooled.



A representative battery applicable to this product.



Only for EU countries
Due to the presence of hazardous components in the equipment, waste electrical and electronic equipment, accumulators and batteries may have a negative impact on the environment and human health. Do not dispose of electrical and electronic appliances or batteries with household waste!
In accordance with the European Directive on waste electrical and electronic equipment and on accumulators and batteries and waste accumulators and batteries, as well as their adaptation to national law, waste electrical equipment, batteries and accumulators should be stored separately and delivered to a separate collection point for municipal waste, operating in accordance with the regulations on environmental protection.
This is indicated by the symbol of the crossed-out wheeled bin placed on the equipment.



Only for EU countries
Correct Disposal of this product
This marking indicates that this product should not be disposed with other household wastes throughout the EU. To prevent possible harm to the environment or human health from uncontrolled waste disposal, recycle it responsibly to promote the sustainable reuse of material resources.
To return your used device, please use the return and collection systems or contact the retailer where the product was purchased. They can take this product for environmental safe recycling.
Due to the presence of hazardous components in the equipment, used electrical and electronic equipment may have a negative impact on the environment and human health.

Intended use

The appliance is intended for boiling water.

SAFETY WARNINGS

Cordless Kettle safety warnings

⚠ WARNING: IMPORTANT! READ CAREFULLY all safety warnings and all instructions BEFORE USE. Failure to follow the warnings and instructions may result in electric shock, fire and/or serious injury.

1. **Do not use any accessories not recommended by the manufacturer.** Otherwise unexpected matter may occur.
2. **Do not touch hot surfaces.** Surfaces are liable to get hot during use.
3. **Do not use the appliance around explosive atmosphere.** Otherwise burns or a fire may occur.
4. **Do not use the appliance close to heat sources (stoves, etc.).**
5. **Do not use the appliance in humid or wet locations or expose it to rain.** Otherwise water may get into the appliance and electric shock may result.
6. **Put the appliance on the flat stable surface.**
7. **Do not cover the spout while boiling.** Steam cannot be discharged and may cause a malfunction or injury.
8. **Allow to cool before cleaning the appliance.** Otherwise burn injury may occur.
9. **Be careful not to lay down the appliance that contains water.** The discharge lock does not seal water completely. Water may spill, even if the discharge lock is activated.
10. **Position the appliance so that walls or furniture are not exposed to steam.** Otherwise discoloration, deformation or cracks may result.
11. **Boil only water. Do not boil other than water like milk, tea, or soup etc.** Otherwise the contents may be ejected and cause an injury, or the appliance may get dirty or malfunction may occur.
12. **Do not put anything other than water in the kettle, like a bottle or cup etc.** Otherwise the water may be ejected and cause an injury, or the appliance may get dirty or malfunction may occur.
13. **Do not open the lid immediately after boiling.** Otherwise boiled water may drip and cause burn injury.

⚠ WARNING: DO NOT let comfort or familiarity with product (gained from repeated use) replace strict adherence to safety rules for the subject product. MISUSE or failure to follow the safety rules stated in this instruction manual may cause serious personal injury.

Safety warnings for battery-operated appliance

Battery-operated appliance use and care

1. **Prevent unintentional starting.** Ensure the switch is in the off-position before connecting to battery pack, picking up or carrying the appliance. Carrying the appliance with your finger on the switch or energizing appliance that have the switch on invites accidents.
2. **Disconnect the battery pack from the appliance before making any adjustments, changing accessories, or storing appliance.** Such preventive safety measures reduce the risk of starting the appliance accidentally.
3. **Recharge only with the charger specified by the manufacturer.** A charger that is suitable for one type of battery pack may create a risk of fire when used with another battery pack.
4. **Use appliances only with specifically designated battery packs.** Use of any other battery packs may create a risk of injury and fire.
5. **When battery pack is not in use, keep it away from other metal objects, like paper clips, coins, keys, nails, screws or other small metal objects, that can make a connection from one terminal to another.** Shorting the battery terminals together may cause burns or a fire.
6. **Under abusive conditions, liquid may be ejected from the battery; avoid contact. If contact accidentally occurs, flush with water. If liquid contacts eyes, additionally seek medical help.** Liquid ejected from the battery may cause irritation or burns.
7. **Do not use a battery pack or appliance that is damaged or modified.** Damaged or modified batteries may exhibit unpredictable behaviour resulting in fire, explosion or risk of injury.
8. **Do not expose a battery pack or appliance to fire or excessive temperature.** Exposure to fire or temperature above 130 °C may cause explosion.
9. **Follow all charging instructions and do not charge the battery pack or appliance outside the temperature range specified in the instructions.** Charging improperly or at temperatures outside the specified range may damage the battery and increase the risk of fire.
10. **Have servicing performed by a qualified repair person using only identical replacement parts.** This will ensure that the safety of the product is maintained.
11. **Do not modify or attempt to repair the appliance or the battery pack except as indicated in the instructions for use and care.**

Important safety instructions for battery cartridge

1. **Before using battery cartridge, read all instructions and cautionary markings on (1) battery charger, (2) battery, and (3) product using battery.**

2. **Do not disassemble or tamper with the battery cartridge.** It may result in a fire, excessive heat, or explosion.
3. **If operating time has become excessively shorter, stop operating immediately.** It may result in a risk of overheating, possible burns and even an explosion.
4. **If electrolyte gets into your eyes, rinse them out with clear water and seek medical attention right away.** It may result in loss of your eyesight.
5. **Do not short the battery cartridge:**
 - (1) **Do not touch the terminals with any conductive material.**
 - (2) **Avoid storing battery cartridge in a container with other metal objects such as nails, coins, etc.**
 - (3) **Do not expose battery cartridge to water or rain.**

A battery short can cause a large current flow, overheating, possible burns and even a breakdown.
6. **Do not store and use the appliance and battery cartridge in locations where the temperature may reach or exceed 50 °C (122 °F).**
7. **Do not incinerate the battery cartridge even if it is severely damaged or is completely worn out.** The battery cartridge can explode in a fire.
8. **Do not nail, cut, crush, throw, drop the battery cartridge, or hit against a hard object to the battery cartridge.** Such conduct may result in a fire, excessive heat, or explosion.
9. **Do not use a damaged battery.**
10. **The contained lithium-ion batteries are subject to the Dangerous Goods Legislation requirements.**

For commercial transports e.g. by third parties, forwarding agents, special requirement on packaging and labeling must be observed. For preparation of the item being shipped, consulting an expert for hazardous material is required. Please also observe possibly more detailed national regulations.

Tape or mask off open contacts and pack up the battery in such a manner that it cannot move around in the packaging.
11. **When disposing the battery cartridge, remove it from the appliance and dispose of it in a safe place. Follow your local regulations relating to disposal of battery.**
12. **Use the batteries only with the products specified by Makita.** Installing the batteries to non-compliant products may result in a fire, excessive heat, explosion, or leak of electrolyte.
13. **If the appliance is not used for a long period of time, the battery must be removed from the appliance.**
14. **During and after use, the battery cartridge may take on heat which can cause burns or low temperature burns. Pay attention to the handling of hot battery cartridges.**
15. **Do not touch the terminal of the appliance immediately after use as it may get hot enough to cause burns.**

16. Do not allow chips, dust, or soil stuck into the terminals, holes, and grooves of the battery cartridge. It may result in poor performance or breakdown of the appliance or battery cartridge.
17. Unless the appliance supports the use near high-voltage electrical power lines, do not use the battery cartridge near high-voltage electrical power lines. It may result in a malfunction or breakdown of the appliance or battery cartridge.
18. Keep the battery away from children.

SAVE THESE INSTRUCTIONS.

CAUTION: Only use genuine Makita batteries. Use of non-genuine Makita batteries, or batteries that have been altered, may result in the battery bursting causing fires, personal injury and damage. It will also void the Makita warranty for the Makita appliance and charger.

Tips for maintaining maximum battery life

1. Charge the battery cartridge before completely discharged. Always stop appliance operation and charge the battery cartridge when you notice less appliance power.
2. Never recharge a fully charged battery cartridge. Overcharging shortens the battery service life.
3. Charge the battery cartridge with room temperature at 10 °C - 40 °C (50 °F - 104 °F). Let a hot battery cartridge cool down before charging it.
4. When not using the battery cartridge, remove it from the appliance or the charger.
5. Charge the battery cartridge if you do not use it for a long period (more than six months).

PARTS DESCRIPTION

Kettle

► Fig.1

1	Spout	2	Lid
3	Discharge lock button	4	Open-lid button
5	Handle	6	Maximum line
7	Water volume scale	8	Power supply connector (bottom side)
9	Temperature sensor	-	-

Power supply stand

► Fig.2

10	Carrying handle	11	Power supply connector
12	Power switch	13	Battery cartridge
14	Temperature sensor	15	Ground sensing element

FUNCTIONAL DESCRIPTION

CAUTION: Always be sure that the appliance is switched off and the battery cartridge is removed before adjusting or checking function on the appliance.

Installing or removing battery cartridge

CAUTION: Always switch off the appliance before installing or removing of the battery cartridge.

CAUTION: Hold the appliance and the battery cartridge firmly when installing or removing battery cartridge. Failure to hold the appliance and the battery cartridge firmly may cause them to slip off your hands and result in damage to the appliance and battery cartridge and a personal injury.

To remove the battery cartridge, slide it from the appliance while sliding the button on the front of the cartridge.

To install the battery cartridge, align the tongue on the battery cartridge with the groove in the housing and slip it into place. Insert it all the way until it locks in place with a little click. If you can see the red indicator on the upper side of the button, it is not locked completely.

► Fig.3: 1. Red indicator 2. Button 3. Battery cartridge

CAUTION: Always install the battery cartridge fully until the red indicator cannot be seen. If not, it may accidentally fall out of the tool, causing injury to you or someone around you.

CAUTION: Do not install the battery cartridge forcibly. If the cartridge does not slide in easily, it is not being inserted correctly.

NOTE: Up to two battery cartridges can be installed, although the appliance uses one battery cartridge for operation.

Indicating the remaining battery capacity

Press the check button on the battery cartridge to indicate the remaining battery capacity. The indicator lamps light up for a few seconds.

► Fig.4: 1. Indicator lamps 2. Check button

Indicator lamps			Remaining capacity
Lighted	Off	Blinking	
■ ■ ■ ■			75% to 100%
■ ■ ■ □			50% to 75%
■ ■ □ □			25% to 50%
■ □ □ □			0% to 25%
▣ □ □ □			Charge the battery.
■ ■ □ □			The battery may have malfunctioned.
□ □ ■ ■			

NOTE: Depending on the conditions of use and the ambient temperature, the indication may differ slightly from the actual capacity.

NOTE: The first (far left) indicator lamp will blink when the battery protection system works.

Appliance / battery protection system

The appliance and battery are equipped with the protection system. This system automatically cuts off power to the motor to extend appliance and battery life. The appliance will automatically stop during operation if the appliance or battery is placed under one of the following conditions.

- Overload protection : When the appliance or battery is operated in a manner that causes it to draw an abnormally high current, the appliance automatically stops without any indication. In this situation, turn the appliance off and stop the application that caused the appliance to become overloaded. Then turn the appliance on to restart.
- Overheat protection : When the appliance or battery is overheated, the appliance automatically stops. Let the appliance cool down before turning it on again.
- Overdischarge protection : When the battery capacity becomes low, the appliance stops automatically. If the appliance does not operate even when the switches are operated, remove the battery cartridge from the appliance and charge it.

Protections against other causes

Protection system is also designed for other causes that could damage the appliance and allows the appliance to stop automatically. Take all the following steps to clear the causes, when the appliance has been brought to a temporary halt or stop in operation.

1. Turn the appliance off, and then turn it on again to restart.
2. Charge the battery(ies) or replace it/them with recharged battery(ies).
3. Let the appliance and battery(ies) cool down.

If no improvement can be found by restoring protection system, then contact your local Makita Service Center.

Using appliance with cord connected power source

Before using the cord connected power source, read instructions and cautionary markings on it.

WARNING: When using the appliance with the cord connected power source, put the cord connected power source on the stable surface. This appliance is used in static position. Using the cord connected power source which you carry on your back may cause falling accident.

OPERATION

Preparation

When using the appliance for the first time, or after long period of storage, perform the following steps.

1. Remove all packing materials from the appliance.
2. Clean the interior of the kettle and filter. There may be dirt such as dust on them.

See the chapter "MAINTENANCE" for how to clean.

Boiling water

CAUTION: Boil only water. Do not boil other than water.

CAUTION: Do not put the appliance on an unstable place, a place where people often pass, or a place where children can reach. Otherwise the appliance may be accidentally tipped over and cause an injury.

CAUTION: When closing the lid, push the lid securely and put the discharge lock button in locked position. Otherwise burn injury may occur when falling accident occurs.

1. Open the lid while pushing both of the open-lid buttons.
2. Pour preferred amount of fresh tepid water into the kettle. Then close the lid.

CAUTION: Make sure the discharge lock button is in locked position. Otherwise boiled water may be spilled unintentionally and cause burn injury.

CAUTION: Do not over fill water exceeding the maximum line. Otherwise boiled water may be ejected and cause burn injury.

NOTICE: Prevent no-water burning, do not turn on the appliance without water. Otherwise discoloration or malfunction may occur.

► Fig.5

3. Put the kettle onto the power supply stand.
- Fig.6

4. Push the power switch.

The power switch lights up in orange with single beep sound, then boiling starts.


► Fig.7: 1. Power switch

CAUTION: Make sure that the lid is closed. Otherwise large volume of steam may discharge and burn injury may occur.

CAUTION: Make sure that the discharge lock button is in locked position. Otherwise a large volume of steam may discharge and burn injury may occur.

CAUTION: Do not touch the steam. Risk of burn injury.

► Fig.8

CAUTION: Do not touch around  mark and the metal part located in the figure during boiling or some time after boiling. Risk of burn injury.

► Fig.9: 1. Metal part that may extreme hot

NOTE: If you press the power switch right after boiling operation, the appliance may not work due to the protection against high temperature. In this case, allow the appliance to cool and then press the power switch again.

When the boiling is finished, the appliance turns off automatically with a few seconds of beep sound.

NOTE: When you lift the kettle or the power supply stand while boiling, the appliance stop boiling and the power switch blinks in orange.

— If you return the kettle or the power supply stand while the power switch is blinking, the appliance restarts boiling automatically.

— Few seconds after you lift the kettle or the power supply stand, the appliance turns off.

NOTE: When the battery capacity becomes low while boiling, the appliance turns off and the power switch blinks in red for a few seconds with three beep sounds.

NOTE: If you turn on the appliance when all battery capacities are low, the appliance turns off within a few seconds with a single beep sound.

5. Lift the kettle while holding the carrying handle of the power supply stand.

► Fig.10

6. Pour the water.

CAUTION: Be careful not to get burned while pouring boiled water.

To prevent accidental water discharge, the discharge lock button is provided. Push the discharge lock button to pour the water.

► Fig.11

Carrying

WARNING: Do not carry the kettle with the power supply stand while heating water or with the boiled water in the kettle. Otherwise burn injury may result when falling accident occurs.

When carrying the appliance, hold the carrying handle.

MAINTENANCE

WARNING: All parts should be replaced at an Authorized Service Center.

CAUTION: Always be sure that the appliance is switched off, unplugged, and the battery cartridge is removed before attempting to perform inspection or maintenance.

CAUTION: Do not touch the kettle immediately after discharging the boiled water. Wait until the kettle is cooled down completely. Otherwise a burn injury may occur.

CAUTION: Make sure the kettle is empty before attempting to perform inspection or maintenance. Otherwise accidents may occur.

► Fig.12

NOTICE: Never use gasoline, benzine, thinner, alcohol or the like. Discoloration, deformation or cracks may result.

NOTICE: Do not use the dishwasher, dish dryer, or hairdryer.

NOTICE: Do not use polishing powder, bleach, cleanser, metal scrubbing brush, chemical scrubbing brush, etc.

NOTICE: Do not wash the kettle and the power supply stand. Do not wet the power supply connector.

► Fig.13

To maintain product SAFETY and RELIABILITY, repairs, any other maintenance or adjustment should be performed by Makita Authorized or Factory Service Centers, always using Makita replacement parts.

Cleaning

Exterior of the appliance

After the appliance is cooled, clean exterior of the appliance using clean clothes.

If the appliance is very dirty, use a cloth dampened in soapy water. Then wipe the water off with dry cloth.

► Fig.14

Interior of the kettle

Remove the lid by pulling it out from the kettle as shown in the figure.

► Fig.15

Rinse well with water, then dry the inside.

Filter

Remove the filter by pulling it out from the lid as shown in the figure.

Wash the filter, then dry it.

► Fig.16: 1. Filter

To install the filter and the lid, follow the removing procedure in reverse.

Removing scales inside the kettle

Through the use of the appliance, water scale will build up inside the kettle. Water scale makes boiling inefficient. If water scales becomes noticeable, clean the inside of the kettle with citric acid.

1. Open the lid, and remove the filter from the lid.
2. Pour water up to the maximum line into the kettle.
3. Add 40 g (1.4 oz) of citric acid commercially available into the water and stir it up. Then close the lid.
4. Put the kettle on the power supply stand.
5. Push the power switch.
6. Leave the kettle for about 1 hour after boiling finished.
7. Drain the water and rinse inside of the kettle with water.
8. If you taste or smell citric acid, boil water only and drain it.

If the dirt is hard to remove, repeat steps 2 to 7.

9. Dry the kettle and install the filter on the lid.

Storage

To prevent fire or burning, allow the appliance to cool down completely before you store it. Do not store the discharged battery for long periods, as it can shorten its service life.

TROUBLESHOOTING

Before asking for repairs, conduct your own inspection first. If you find a problem that is not explained in the manual, do not attempt to disassemble the machine. Instead, ask Makita Authorized Service Centers, always using Makita replacement parts for repairs.

Symptom	Probable cause	Remedy
Not working.	Battery cartridges are installed improperly.	Install the battery cartridges as described in this manual.
	The battery cartridges are exhausted.	Charge the battery cartridges.
The appliance turns off with beep sound soon after turning on the appliance.	The temperature sensor detects high temperature because the power switch has been pressed right after boiling.	Leave the appliance off for few minutes to cool the appliance.
The appliance turns off with the power switch blinking in orange soon after turning on the appliance.	The terminal of the temperature sensor is dirty.	Wipe off the dirt on the temperature sensor using dry cloth.
	The power supply stand is tilted or placed on unstable surface.	Put the appliance on the stable, level and flat surface.
Though the boiling operation has not finished, the appliance turns off with a few seconds of beep sound just like when the boiling is finished.	The terminal of the temperature sensor is dirty.	Wipe off the dirt on the temperature sensor using dry cloth.
	The kettle is not sitting on the power supply stand properly because dust or similar is caught between the kettle and the power supply stand.	Remove any dust on the bottom of the kettle or on the power supply stand.
The power switch does not stop blinking in red. (And the power switch turn off about 10 minutes after.)	Power supply connector on the kettle and/or the power supply stand is dirty.	Remove the battery and wipe off the dirt on the power supply connector using dry cloth.
Boiled water spills out.	Water is filled exceeding the maximum line.	Reduce water below the maximum line.
	Anything other than water is filled in the kettle.	Do not boil anything other than water.
Smells of the boiled water.	Chlorine in tap water may smell.	
	Smell of resin just after unpacking will fade away in time.	
Drops of the water on the power supply stand.	Dew condensation may occur on the appliance because of the vapor of the boiled water.	
Boiled water leaks when the kettle is tilted.	There's opening on the spout. Even if the open-lid button is in locked position, the water leaks out when the kettle is tilted.	

OPTIONAL ACCESSORIES

CAUTION: These accessories or attachments are recommended for use with your Makita appliance specified in this manual. The use of any other accessories or attachments might present a risk of injury to persons. Only use accessory or attachment for its stated purpose.

If you need any assistance for more details regarding these accessories, ask your local Makita Service Center.

- Makita genuine battery and Makita authorized charger

NOTE: Some items in the list may be included in the tool package as standard accessories. They may differ from country to country.

VARNING

- För användare i Europa:
Denna apparat kan användas av barn från 8 års ålder och äldre förutsatt att de har fått handledning eller instruktioner om hur apparaten används på rätt sätt och förstår riskerna som det medför. Rengöring och underhåll får inte utföras av barn såvida de inte är över 8 år och är under tillsyn. Förvara apparaten och dess sladd utom räckhåll för barn under 8 år.
Apparaten kan användas av personer med nedsatt fysisk, sensorisk eller mental kapacitet eller brist på erfarenhet och kunskap förutsatt att de har fått handledning eller instruktioner om hur apparaten används på rätt sätt och förstår riskerna som det medför.
Barn ska inte leka med apparaten.
- För användare utanför Europa:
Denna apparat är inte avsedd att användas av personer (inklusive barn) med nedsatt fysisk, sensorisk eller mental förmåga, eller personer utan erfarenhet av och kunskap om apparaten, såvida de inte har övervakats eller fått instruktioner angående användningen av apparaten av en person som är ansvarig för deras säkerhet. Barn ska övervakas så att de inte leker med apparaten.
- Se uppgifter om lämpliga försiktighetsåtgärder vid användarunderhåll i kapitlet "UNDERHÅLL".
- Se batteriets typpreferens i kapitlet "SPECIFIKATIONER".
- Se i avsnittet "Montera eller demontera batterikassetten" hur du tar bort eller installerar batteriet.
- När batterikassetten ska kasseras måste den tas bort från verktyget och kasseras på ett säkert sätt. Följ lokala föreskrifter beträffande avfallshantering av batteriet.
- Om verktyget inte används under en lång tid måste batteriet tas bort från verktyget.
- Kortslut inte batterikassetten.
- Denna apparat är avsedd att användas i hushåll och liknande användningsområden, som följande:
 - Köksutrymmen för personal i affärer, kontor och andra arbetsmiljöer.
 - Gärdshus.
 - Av kunder på hotell, motell och andra bostadsliknande miljöer.
 - Miljöer av bed and breakfast-typ.
- Som skydd mot brand och elektrisk stöt ska apparaten och batteriet inte sänkas ner i vatten eller någon annan vätska.
- Fyll inte på för mycket vatten i apparaten. Kokande vatten kan spruta ut och orsaka brännskada.
- **VARNING:** Ta inte bort locket medan vattnet kokar.
- Apparaten är batteridrivna och batteriet laddas utanför apparaten.
- De återuppladdningsbara batterierna ska tas bort från apparaten innan de laddas.
- Batterierna ska sättas in med polerna åt rätt håll.
- Helt urladdade batterier ska tas bort från apparaten och kasseras på ett säkert sätt.
- Undvik att spilla någon vätska på strömförsörjningskontaktarna eller batteripolerna.
- Denna apparat är en vattenkokare att koka upp vatten i, och det finns risk för skada om den används på annat sätt.

SPECIFIKATIONER

Modell:	KT001G
Märkspänning	36 V - 40 V likström max
Kapacitet	0,8 l
Dimensioner (L x B x H)	235 x 322 x 307 mm (utan batterikassett)
Nettovikt *1 (Vattenkokaren och strömförsörjningsstället tillsammans)	2,8 - 5,9 kg (med batterikassetter)
Nettovikt (Endast vattenkokaren)	1,0 kg
Nettovikt (Endast strömförsörjningsstället)	1,1 kg (utan batterikassett)
Beräknad koktid *2	ca 8 min (vid uppkokning av 0,8 l vatten från 23 °C med omgivningstemperaturen 23 °C)

*1 Den lättaste och tyngsta viktkombinationen för vattenkokaren, strömförsörjningsstället och batterikassetterna visas i tabellen.

*2 Värdena kan variera olika beroende på batterityp, laddningsstatus och användningsförhållanden.

- På grund av vårt pågående program för forskning och utveckling kan dessa specifikationer ändras utan föregående meddelande.
- Specifikationer kan variera mellan olika länder.

Mängd vatten som kan kokas

Batterikassett (fulladdad)	Mängd vatten som kan kokas*
BL4020 x 2	1,1 l
BL4025 x 2	1,2 l
BL4040 x 2	2,2 l
BL4050F x 2	3,0 l
BL4080F x 2	4,9 l
PDC1200	11,4 l

* Vid uppkokning av vatten från 23 °C vid omgivningstemperaturen 23 °C

OBS: Mängderna är ungefärliga och kan variera beroende på batterityp, laddningsstatus och användningsförhållanden.

OBS: Vattenmängden som kan kokas med ett batteri är ungefär hälften av mängden som när två batterier används.

Tillgänglig batterikassett och laddare

Batterikassett	BL4020 / BL4025 / BL4040 / BL4050F / BL4080F
Laddare	DC40RA / DC40RB / DC40RC

- Vissa av batterikassetterna och laddarna på listan ovan kanske inte finns tillgängliga i din region.

⚠ VARNING: Använd endast batterikassetter och laddare från listan ovan. Användning av andra batterikassetter och laddare kan orsaka personskada och/eller brand.

Rekommenderad sladdansluten strömkälla

Bärbart strömpaket	PDC1200
--------------------	---------

- De sladdanslutna batteripaket som förtecknas ovan kanske inte finns tillgängliga i din region.
- Innan du använder det sladdanslutna batteripaketet ska du läsa instruktionen och varningsmärkena på det.

Symboler

Följande visar symbolerna som kan användas för utrustningen. Se till att du förstår innebörden innan användning.



Läs igenom bruksanvisningen.



Varning: Het yta. Risk för brännskador. Rör inte vid ytan förrän den svalnat.



Ett representativt batteri som kan användas med den här produkten.



Gäller endast inom EU
P.g.a. förekomsten av farliga komponenter i utrustningen kan avfall innehållande elektrisk och elektronisk utrustning, ackumulatörer och batterier ha negativ inverkan på miljön och människors hälsa. Kassera inte elektriska och elektroniska apparater eller batterier ihop med hushållsavfall!
I enlighet med EU-direktiven om avfall som utgörs av eller innehåller elektrisk och elektronisk utrustning och om batterier och ackumulatörer och förbrukade batterier och ackumulatörer, och dess införlivande i nationell lagstiftning, bör förbrukad elektrisk och elektronisk utrustning, batterier och ackumulatörer förvaras separat och transporteras till en särskild uppsamlingsplats för kommunalt avfall, som drivs i enlighet med regelverket för miljöskydd. Detta anges av symbolen med den överkryssade soptunnan på hjul som sitter på utrustningen.



Gäller endast EU-länder
Korrekt kassering av denna produkt
Detta märke indikerar att produkten inte ska kasseras med vanligt hushållsavfall i hel EU. För att förhindra skada på miljön eller människan från okontrollerat avfall ska det återvinnas ansvarsfullt för att främja hållbar återanvändning av material. För att återlämna din använda enhet, lämna den på en återvinningsstation eller kontakta återförsäljaren där produkten köptes. De kan ta denna produkt för säker återvinning. P.g.a. förekomsten av farliga komponenter i utrustningen kan begagnad elektrisk och elektronisk utrustning ha negativ inverkan på miljön och människors hälsa.

Avsedd användning

Apparaten är avsedd för uppkokning av vatten.

SÄKERHETSVARNINGAR

Säkerhetsvarningar för batteridrivna vattenkokare

⚠ VARNING: VIKTIGT! LÄS NOGGRANT igenom alla säkerhetsvarningar och anvisningar FÖRE ANVÄNDNING. Underlåtenhet att följa varningar och instruktioner kan leda till elstötar, brand och/eller allvarliga personskador.

1. **Använd inte några tillbehör som inte rekommenderas av tillverkaren.** I så fall kan oväntade material förekomma.
2. **Vidrör inte heta ytor.** Ytorna kan komma att bli heta under användning.
3. **Använd inte apparaten i en explosiv atmosfär.** I annat fall kan brand uppstå.
4. **Använd inte apparaten nära värmekällor (spisar osv.).**
5. **Använd inte apparaten på fuktiga eller våta platser och utsätt den inte för regn.** I annat fall kan vatten tränga in i apparaten vilket kan leda till elektriska stötar.
6. **Ställ apparaten på ett plant och stabilt underlag.**
7. **Täck inte över pipen under uppkokning.** Ångan kan då inte släppas ut och det kan orsaka funktionsfel eller skada.
8. **Låt apparaten svalna innan den rengörs.** I annat fall kan brännskada uppstå.
9. **Var noga med att inte lägga ner apparaten när det är vatten i.** Uttömningslåset är inte helt tätt mot vatten. Det kan spillas ut vatten även om uttömningslåset är aktiverat.
10. **Placera apparaten så att väggar eller möbler inte utsätts för ånga.** I annat fall kan missfärgning, deformation eller sprickor uppstå.
11. **Koka endast vatten. Koka inte något annat än vatten, t.ex. mjölk, te, soppa etc.** Innehållet kan spruta ut och orsaka skada, eller så kan apparaten bli smutsig eller funktionsfel inträffa.
12. **Lägg inte något annat än vatten, t.ex. en flaska, kopp etc., i vattenkokaren.** Vattnet kan spruta ut och orsaka skada, eller så kan apparaten bli smutsig eller funktionsfel inträffa.
13. **Öppna inte locket direkt efter kokning.** Kokande vatten kan då droppa och orsaka brännskada.

⚠ VARNING: GLÖM INTE att också fortsättningsvis strikt följa säkerhetsanvisningarna för maskinen även efter att du blivit van att använda den. Vid FELAKTIG HANTERING av maskinen eller om inte säkerhetsanvisningarna i denna bruksanvisning följs kan följden bli allvarliga personskador.

Användning och underhåll av batteridrivna apparat

- Förhindra oavsiktlig start. Försäkra dig om att strömbrytaren står i avstängt läge innan du ansluter batteripaketet, tar upp eller bär apparaten.** Att bära apparaten med fingrarna på avtryckaren eller förse apparaten med ström när avtryckaren är intryckt, inbjuder till olyckor.
- Koppla från batteripaketet från apparaten innan justering utförs, tillbehör byts eller apparaten lagras.** Genom dessa förebyggande säkerhetsåtgärder minskas risken att apparaten startas oavsiktligt.
- Ladda endast med den batteriladdare som angetts av tillverkaren.** En laddare som passar en viss typ av batterier kan skapa risk för brand när den används tillsammans med annat batteri.
- Använd endast apparater med specifikt angivna batteripaket.** Om andra batterier används kan risken för personskada och brand öka.
- När batteriet inte används bör det hållas borta från andra metallföremål som till exempel gem, mynt, nycklar, spik, skruv eller andra små metallföremål som kan skapa anslutning från en terminal till en annan.** Kortslutning av batteripolerna kan orsaka brännskador eller brand.
- Under hårda förhållande kan det komma vätska ur batteriet. Undvik kontakt. Spola med vatten om kontakt ändå råkar uppstå. Om vätskan kommer i kontakt med ögonen bör läkare uppsökas.** Vätska från batteriet kan orsaka irritation på huden eller ge brännskador.
- Använd inte ett batteripaket eller en apparat som har skadats eller ändrats.** Skadade eller ändrade batterier kan uppföra sig opålitligt, vilket kan leda till brand, explosion eller skaderisk.
- Utsätt inte ett batteripaket eller en apparat för brand eller höga temperaturer.** Exponering för eld eller temperaturer över 130 °C kan leda till explosion.
- Följ alla laddningsinstruktioner och ladda inte batteripaketet eller apparaten utanför det temperaturintervall som anges i instruktionerna.** Felaktig laddning, eller vid temperaturer utanför det angivna intervallet, kan skada batteriet och öka risken för brand.
- Låt en behörig reparatör utföra service och underhåll med originalreservdelar.** Detta garanterar fortsatt säker användning av produkten.
- Ändra inte på apparaten eller batteripaketet och försök inte reparera dem, utom enligt vad som anges i användnings- och skötselinstruktionerna.**

Viktiga säkerhetsanvisningar för batterikassetten

- Innan batterikassetten används ska alla instruktioner och varningsmärken på (1) batteriladdaren, (2) batteriet och (3) produkten läsas.**
- Ta inte isär eller manipulera batterikassetten.** Det kan leda till brand, hög värme eller explosion.
- Om drifttiden blivit avsevärt kortare ska användningen avbrytas omedelbart. Det kan uppstå överhettning, brännskador och t o m en explosion.**
- Om du får elektrolyt i ögonen ska de sköljas med rent vatten och läkare uppsökas omedelbart. Det finns risk för att synen förloras.**
- Kortslut inte batterikassetten.**
 - Rör inte vid polerna med något strömförande material.**
 - Undvik att förvara batterikassetten tillsammans med andra metallobjekt som t.ex. spikar, mynt o.s.v.**
 - Skydda batteriet mot vatten och regn. En batterikortslutning kan orsaka ett stort strömflöde, överhettning, brand och maskin haveri.**
- Förvara och använd inte apparaten och batterikassetten på platser där temperaturen kan nå eller överstiga 50 °C (122 °F).**
- Bränn inte upp batterikassetten även om den är svårt skadad eller helt utsliten. Batterikassetten kan explodera i öppen eld.**
- Spika inte i, krossa, kasta, tappa eller slå batterikassetten mot hårda föremål.** Detta kan leda till brand, hög värme eller explosion.
- Använd inte ett skadat batteri.**
- De medföljande litiumjonbatterierna är föremål för kraven i gällande lagstiftning för farligt gods.** För kommersiella transporter (av t.ex. tredje parter som speditorsfirmor) måste de särskilda transportkrav som anges på emballaget och etiketter iakttagas.
För att förbereda den produkt som ska avsändas krävs att du konsulterar en expert på riskmaterial. Var också uppmärksam på att det i ditt land kan finnas ytterligare föreskrifter att följa.
Tejpa över eller maskera blottade kontakter och packa batteriet på sådant sätt att det inte kan röra sig fritt i förpackningen.
- När batterikassetten ska kasseras måste den tas bort från apparaten och kasseras på ett säkert sätt. Följ lokala föreskrifter beträffande kassering av batterier.**
- Använd endast batterierna med de produkter som specificerats av Makita.** Att använda batterierna med ej godkända produkter kan leda till brand, överdriven värme, explosion eller utläckande elektrolyt.
- Om apparaten inte används under en lång tid måste batteriet tas bort från apparaten.**
- Under och efter användning kan batterikassetten bli het vilket kan orsaka brännskador eller lättare brännskador. Var uppmärksam på hur du hanterar varma batterikassetter.**

15. Vidrör inte apparatens kontakter direkt efter användning eftersom de kan bli heta och orsaka brännskador.
16. Låt inte flisor, damm eller smuts fastna i kontaktarna, i hål eller spår i batterikassetten. Det kan leda till dålig prestanda eller till att apparaten eller batterikassetten går sönder.
17. Såvida inte apparaten stöder arbeten i närheten av högspänningsledning får batterikassetten inte användas i närheten av en högspänningsledning. Det kan leda till att apparaten eller batterikassetten går sönder eller inte fungerar korrekt.
18. Förvara batteriet utom räckhåll för barn.

SPARA DESSA ANVISNINGAR.

⚠ FÖRSIKTIGT: Använd endast originalbatterier från Makita. Användning av andra batterier än från Makita, eller batterier som har modifierats, kan leda till att batteriet spricker, vilket i sin tur kan leda till brand, personskador och skador på egendom. Det upphäver också Makitas garanti för apparaten och laddaren från Makita.

Tips för att uppnå batteriets maximala livslängd

1. Ladda batterikassetten innan den är helt urladdad. Stanna alltid apparaten och ladda batterikassetten när du märker att apparaten blir svagare.
2. Ladda aldrig en fulladdad batterikasset. Överladdning förkortar batteriets livslängd.
3. Ladda batterikassetten vid en rumstemperatur på 10 °C - 40 °C. Låt en varm batterikasset svalna innan den laddas.
4. När batterikassetten inte används ska den tas bort från apparaten eller laddaren.
5. Ladda batterikassetten om du inte har använt den på länge (mer än sex månader).

BESKRIVNING AV DELAR

Vattenkokare

► Fig.1

1	Pip	2	Lock
3	Uttömningsläsknapp	4	Locköppningsknapp
5	Handtag	6	Maxstreck
7	Vattenvolymskalå	8	Strömförsörjningskontakt (undersida)
9	Temperatursensor	-	-

Strömförsörjningsställ

► Fig.2

10	Bärhandtag	11	Strömförsörjningskontakt
12	Strömbrytare	13	Batterikasset
14	Temperatursensor	15	Jordavkänningselement

FUNKTIONSBESKRIVNING

⚠ FÖRSIKTIGT: Se alltid till att maskinen är avstängd och batterikassetten borttagen innan du justerar maskinen eller kontrollerar dess funktioner.

Montera eller demontera batterikassetten

⚠ FÖRSIKTIGT: Stäng alltid av apparaten innan du installerar eller tar bort batterikassetten.

⚠ FÖRSIKTIGT: Håll stadigt i maskinen och batterikassetten när du monterar eller tar bort batterikassetten. I annat fall kan det leda till att maskinen och batterikassetten glider ur dina händer och blir skadade och orsakar personskada.

Ta bort batterikassetten genom att skjuta ner knappen på kassetens framsida samtidigt som du drar av den från maskinen.

Sätt in batterikassetten genom att rikta in tungan på batterikassetten mot spåret i höljet och skjuta den på plats. Tryck in kassetten hela vägen tills den låser fast med ett klick. Om du kan se den röda indikatorn på knappens ovasida är den inte låst ordentligt.

► Fig.3: 1. Röd indikator 2. Knapp 3. Batterikasset

⚠ FÖRSIKTIGT: Sätt alltid in batterikassetten helt tills den röda indikatorn inte längre syns. I annat fall kan den oväntat falla ur verktyget och skada dig eller någon annan.

⚠ FÖRSIKTIGT: Montera inte batterikassetten med våld. Om kassetten inte lätt glider på plats är den felinsatt.

OBS: Upp till två batterikassetter kan installeras men apparaten använder endast en batterikasset.

Indikerar kvarvarande batterikapacitet

Tryck på kontrollknappen på batterikassetten för att se kvarvarande batterikapacitet. Indikatorlamporna lyser i ett par sekunder.

► Fig.4: 1. Indikatorlampor 2. Kontrollknapp

Indikatorlampor			Kvarvarande kapacitet
Upplyst	Av	Bliksar	
■ ■ ■ ■	□ □ □ □	□ □ □ □	75% till 100%
■ ■ ■ □	□ □ □ □	□ □ □ □	50% till 75%
■ ■ □ □	□ □ □ □	□ □ □ □	25% till 50%
■ □ □ □	□ □ □ □	□ □ □ □	0% till 25%
▬ □ □ □	□ □ □ □	□ □ □ □	Ladda batteriet.
■ ■ □ □	□ □ □ □	□ □ □ □	Batteriet kan ha skadats.
□ □ □ ■	□ □ □ □	□ □ □ □	

OBS: Beroende på användningsförhållanden och den omgivande temperaturen kan indikationen skilja sig lätt från den faktiska batterikapaciteten.

OBS: Den första (längst till vänster) indikatorlampan kommer att blinka när batteriskyddssystemet fungerar.

Skyddssystem för maskinen/batteriet

Apparaten och batteriet är utrustade med skyddssystemet. Detta system bryter automatiskt strömmen till motorn för att förlänga apparatens och batteriets livslängd. Apparaten stannar automatiskt under användningen om apparaten eller batteriet hamnar i en av följande situationer.

- **Överbelastningsskydd:** Om apparaten eller batteriet används på ett sätt som gör att den drar onormalt mycket ström kan de stoppas automatiskt utan någon varning. När detta sker stänger du av apparaten och upphör med arbetet som gjorde att den överbelastades. Starta därefter upp apparaten igen.
- **Överhettningsskydd:** När apparaten eller batteriet är överhettade stannar de automatiskt. Låt maskinen svalna innan du startar den igen.
- **Överurladdningsskydd:** När batterikapaciteten är låg stannar maskinen automatiskt. Om maskinen inte fungerar trots att knapparna fungerar som de ska tar du bort den uttömda batterikassetten från maskinen och laddar den.

Skydd mot andra orsaker

Skyddssystemet är utvecklat mot andra orsaker som skulle kunna skada apparaten och tillåter apparaten att stanna automatiskt. Ta följande steg för att åtgärda feLEN när apparaten har stannat temporärt eller stannat helt.

1. Stäng av apparaten och starta sedan upp den igen.
2. Laddning av batteriet/batterierna och ersätt dem med laddade batteri(er).
3. Låt apparaten och batteri(erna) svalna.

Om ingen förbättring kan hittas genom att återställa skyddssystemet, kontakta ditt lokala Makita Service Center.

Använda apparaten med sladdanslutna strömkälla

Innan den sladdanslutna strömkällan används ska du läsa instruktionerna och varningsmärkena på den.

⚠ VARNING: När apparaten används med den sladdanslutna strömkällan ska den sladdanslutna strömkällan ställas på ett stabilt underlag. Denna apparat används i stillastående position. Att använda den sladdanslutna strömkällan buren på ryggen kan orsaka fallskada.

ANVÄNDNING

Föberedelse

När apparaten används för första gången, eller efter en lång förvaringstid, ska följande steg utföras.

1. Ta bort allt förpackningsmaterial från apparaten.
2. Rengör vattenkokarens insida och filtret. Det kan finnas smuts som t.ex. damm på dem.

Se mer om rengöring i kapitlet "UNDERHÅLL".

Koka vatten

⚠ FÖRSIKTIGT: Koka endast vatten. Koka inget annat än vatten.

⚠ FÖRSIKTIGT: Ställ inte apparaten på en instabil plats, någonstans där folk ofta går förbi eller en plats som är åtkomlig för barn. I så fall kan apparaten råka välta och orsaka skador.

⚠ FÖRSIKTIGT: När du stänger locket, tryck på det ordentligt och sätt uttömningslåsknappen i låst läge. I annat fall kan brännskada uppstå när en fallolycka inträffar.

1. Tryck in båda locköppningsknapparna och öppna locket.
2. Håll önskad mängd färskt ljummet vatten i vattenkokaren. Stäng sedan locket.

⚠ FÖRSIKTIGT: Försäkra dig om att uttömningslåsknappen är i låst läge. I annat fall kan kokande vatten råka spruta ut och orsaka brännskada.

⚠ FÖRSIKTIGT: Fyll inte på vatten över maxstrecket. Då kan kokande vatten kan spruta ut och orsaka brännskada.

OBSERVERA: Förhindra brand p.g.a. vattenbrist och sätt inte på apparaten utan vatten. Missfärgning eller funktionsfel kan inträffa.

► Fig.5

3. Sätt vattenkokaren i strömförsörjningsstället.

► Fig.6

4. Tryck på strömbrytaren.

Strömbrytaren tänds i orange med ett enstaka pippljud, sedan inleds kokningen.

► Fig.7: 1. Strömbrytare

⚠ FÖRSIKTIGT: Se till att locket är stängt. Annars kan stora mängder ånga släppas ut och orsaka brännskada.

⚠ FÖRSIKTIGT: Se till att uttömningslåsknappen är i låst läge. Annars kan en stor mängd ånga släppas ut och orsaka brännskada.

⚠ FÖRSIKTIGT: Rör inte vid ångan. Risk för brännskada.

► Fig.8

⚠ FÖRSIKTIGT: Rör inte vid något runt märket ⚠ och metalldelen på bilden under kokning och en stund efteråt. Risk för brännskada.

► Fig.9: 1. Metalldel som kan bli extremt het

ANM.: Om du trycker på strömbrytaren direkt efter kokning fungerar kanske inte apparaten p.g.a. överhettningsskyddet. Låt i så fall apparaten svalna och tryck sedan på strömbrytaren igen.

När kokningen är avslutad stänger apparaten av sig automatiskt med några sekunders pippljud.

ANM.: När du lyfter upp vattenkokaren eller strömförsörjningsstället under pågående kokning, slutar apparaten koka och strömbrytaren blinkar orange.

— Om du återställer vattenkokaren eller strömförsörjningsstället medan strömbrytaren blinkar, startar apparaten om kokningen automatiskt.

— Några sekunder efter att du lyfter vattenkokaren eller strömförsörjningsstället stängs apparaten av.

ANM.: När batterikapaciteten blir låg under kokning stängs apparaten av och strömbrytaren blinkar rött i några sekunder med tre pipjud.

ANM.: Om du slår på apparaten när alla batterierna har låg kapacitet stängs apparaten av inom några sekunder med ett enda pipjud.

5. Håll i strömförsörjningsställets bärhandtag och lyft upp vattenkokaren.

► Fig.10

6. Håll ut vattnet.

⚠FÖRSIKTIGT: Var försiktig så du inte bränner dig när du håller ut kokande vatten.

För att förhindra att vatten råkar tappas ut av misstag finns uttömningslåsknappen. Tryck på uttömningslåsknappen för att hålla ut vattnet.

► Fig.11

Bära

⚠VARNING: Bär inte vattenkokaren med strömförsörjningsstället medan vatten värms upp eller när det är kokande vatten i. I så fall kan brännskada uppstå när en fallolycka inträffar.

Håll i bärhandtaget när du bär apparaten.

UNDERHÅLL

⚠VARNING: Alla delar bör bytas på ett auktoriserat servicecenter.

⚠FÖRSIKTIGT: Se alltid till att maskinen är avstängd och urkopplad och batterikassetten borttagen innan inspektion eller underhåll utförs.

⚠FÖRSIKTIGT: Vidrör inte vattenkokaren omedelbart efter att du har tömt det kokta vattnet. Vänta tills vattenkokaren har svalnat helt. I annat fall kan personskada uppstå.

⚠FÖRSIKTIGT: Se till att vattenkokaren är tom innan du försöker utföra inspektion eller underhåll. Annars kan olyckor inträffa.

► Fig.12

OBSERVERA: Använd inte bensin, förtunningsmedel, alkohol eller liknande. Missfärgning, deformation eller sprickor kan uppstå.

OBSERVERA: Använd inte diskmaskin, diskmaskin eller hårtork på vattenkokaren.

OBSERVERA: Använd inte poleringspulver, blekmedel, rengöringsmedel, metallskrubborste, kemisk skrubborste etc.

OBSERVERA: Tvätta inte vattenkokaren och strömförsörjningsstället. Blöt inte ner strömförsörjningskontakten.

► Fig.13

För att upprätthålla produktens SÄKERHET och TILLFÖRLITLIGHET bör allt underhålls- och justeringsarbete utföras av ett auktoriserat Makita servicecenter och med reservdelar från Makita.

Rengöring

Apparatens utsida

Efter att apparaten har svalnat ska dess utsida göras ren med en ren trasa.

Om apparaten är mycket smutsig, använd då en trasa fuktad med såpvattnet. Torka sedan av vattnet med en torr trasa.

► Fig.14

Vattenkokarens insida

Ta bort locket genom att dra ut det från vattenkokaren enligt bilden.

► Fig.15

Skölj ordentligt med vatten och torka sedan insidan.

Filter

Ta bort filtret genom att dra ut det från locket enligt bilden. Tvätta filtret och torka det sedan.

► Fig.16: 1. Filter

Installera filtret och locket genom att följa borttagningsproceduren i omvänt ordning.

Ta bort flagor inuti vattenkokaren

Allt eftersom apparaten används kommer det att bildas flagor inuti vattenkokaren. Flagor gör kokningen ineffektiv. Om flagorna blir märkbara, rengör då vattenkokarens insida med citronsyra.

1. Öppna locket och ta bort filtret från locket.
2. Håll vatten upp till maxstrecket i vattenkokaren.
3. Tillsätt 40 g (1,4 oz) kommersiellt tillgänglig citronsyra i vattnet och rör om. Stäng sedan locket.
4. Sätt vattenkokaren i strömförsörjningsstället.
5. Tryck på strömbrytaren.
6. Lämna vattenkokaren i ca 1 timme efter avslutad kokning.
7. Håll ut vattnet och skölj vattenkokarens insida med vatten.
8. Om du känner smaken eller lukten av citronsyra, koka då upp endast vatten på nytt och töm ut det.

Om det är svårt att få bort smutsen, upprepa steg 2 till 7.

9. Torka vattenkokaren och sätt fast filtret på locket.

Förvaring

För att förebygga brand måste maskinen få svalna helt innan den tas i förvar. Förvara inte det urladdade batteriet i långa perioder, då det kan förkorta dess livslängd.

FELSÖKNING

Innan du ber om reparation ska du först utföra en egen kontroll. Om du hittar ett problem som inte finns förklarat i bruksanvisningen ska du inte försöka att montera isär maskinen. Fråga istället ett auktoriserad servicecenter för Makita, och använd alltid reservdelar från Makita för reparationer.

Symptom	Trolog orsak	Åtgärd
Fungerar inte.	Batterikassetterna är felaktigt insatta.	Sätt i batterikassetterna enligt anvisningarna i denna bruksanvisning.
	Batterikassetterna är uttömda.	Ladda batterikassetterna.
Apparaten stängs av och pippljud ljuder strax efter det att apparaten har slagits på.	Temperatursensorn känner av hög temperatur eftersom strömbrytaren trycktes in direkt efter kokning.	Lämna apparaten avstängd i några minuter så den får svalna.
Apparaten stängs av och strömbrytaren blinkar orange strax efter det att apparaten har slagits på.	Temperatursensorns terminal är smutsig.	Torka av smutsen på temperatursensorn med en torr trasa.
	Strömförsörjningsstället lutar eller är placerat på en instabil yta.	Placera apparaten på den stabila, jämna och plana ytan.
Även om kokningen inte är avslutad stängs apparaten av och ett pippljud ljuder i några sekunder på samma sätt som när kokningen är avslutad.	Temperatursensorns terminal är smutsig.	Torka av smutsen på temperatursensorn med en torr trasa.
	Vattenkokaren sitter inte ordentligt på strömförsörjningsstället på grund av att smuts eller liknande har fastnat mellan vattenkokaren och strömförsörjningsstället.	Avlägsna eventuell smuts från undersidan av vattenkokaren och på strömförsörjningsstället.
Strömbrytaren slutar inte blinka rött. (Och strömbrytaren stängs av ca 10 minuter senare)	Strömförsörjningskontakten på vattenkokaren och/eller strömförsörjningsstället är smutsigt.	Ta ut batteriet och torka av smutsen på strömförsörjningskontakten med en torr trasa.
Kokande vatten spills ut.	Vatten har fyllts på över maxstrecket.	Minska vattenmängden så den kommer under maxstrecket.
	Något annat än vatten är påfyllt i vattenkokaren.	Koka inte något annat än vatten.
Det kokande vattnet luktar.	Klor i kranvatten kan lukta.	
	Lukt av harts precis efter uppackning avtar så småningom.	
Droppar av vatten på strömförsörjningsstället.	Daggkondens kan inträffa på apparaten p.g.a. ångan från det kokande vattnet.	
Kokt vatten läcker ut när man lutar på vattenkokaren.	Det är en öppning på pipen. Även om locköppningsknappen är i låst läge läcker vattnet ut när vattenkokaren lutas.	

VALFRIA TILLBEHÖR

⚠ FÖRSIKTIGT: Följande tillbehör eller tillsatser rekommenderas för användning med den Makita-maskin som denna bruksanvisning avser. Om andra tillbehör eller tillsatser används kan det uppstå risk för personskador. Använd endast tillbehören eller tillsatserna för de syften de är avsedda för.

Kontakta ditt lokala Makita servicecenter om du behöver ytterligare information om dessa tillbehör.

- Makitas originalbatteri och Makita-auktoriserad laddare

OBS: Några av tillbehören i listan kan vara inkluderade i maskinpaketet som standardtillbehör. De kan variera mellan olika länder.

ADVARSEL

- For brukere i Europa:
Dette apparatet kan brukes av barn fra 8 år og oppover, såfremt de holdes under oppsyn, har blitt gitt instruksjoner om sikker bruk av apparatet og hvis de forstår farene som er involvert. Rengjøring og brukervedlikehold skal ikke utføres av barn med mindre de er eldre enn 8 år og holdes under oppsyn. Oppbevar apparatet og ledningen utilgjengelig for barn under 8 år. Apparater kan brukes av personer med reduserte fysiske, sensoriske eller mentale evner eller mangel på erfaring og kunnskap, såfremt de holdes under oppsyn, har blitt gitt instruksjoner om sikker bruk av apparatet og forstår farene som er involvert. Barn må ikke leke med apparatet.
- For brukere i land utenfor Europa:
Dette apparatet må ikke brukes av personer (inklusive barn) med nedsatte fysiske evner, sanseevner eller mentale evner, eller som mangler erfaring og kunnskap, med mindre de holdes under oppsyn eller har fått instruksjoner som gjelder bruk av apparatet av en person som er ansvarlig for sikkerheten deres. Barn må holdes under oppsyn for å sikre at de ikke leker med apparatet.
- Nærmere detaljer om forholdsregler under brukervedlikehold finnes i kapittelet “VEDLIKEHOLD”.
- Typereferanse for batteriet finnes i kapittelet “TEKNISKE DATA”.
- Informasjon om hvordan batteriet settes i og tas ut finnes i avsnittet “Sette inn eller ta ut batteri”.
- Når batteriet skal avhendes, tar du det ut av verktøyet og kaster det på et trygt sted. Følg lokale bestemmelser for avhending av batterier.
- Hvis verktøyet ikke skal brukes på en god stund, må batteriet tas ut av verktøyet.
- Ikke kortslett batteriet.
- Dette apparatet er ment å brukes i husholdninger og på lignende bruksområder, f.eks.:
 - personalets kjøkkenlokaler i butikker, kontorer og andre arbeidsmiljøer;
 - gårdshus;
 - av kunder på hoteller, moteller og i andre typer boligmiljøer;
 - miljøer som tilbyr overnatting med frokost.
- For å beskytte mot brann og elektrisk støt, må du ikke senke apparatet og batteriet ned i vann eller i annen væske.
- Ikke fyll for mye vann i apparatet. Kokt vann kan sprute ut og forårsake brannskader.
- **ADVARSEL:** Ikke ta av lokket mens vannet koker.
- Dette er et batteridrevet apparat, og batteriet lades utenfor apparatet.
- Oppladbare batterier skal tas ut av apparatet før de lades.
- Batterier må settes inn med riktig polaritet.
- Brukte batterier må tas ut av apparatet og kastes på en sikker måte.
- Unngå å søle væske på strømledningene og batteripolene.
- Dette apparatet er en vannkoker for kokende vann, og det er fare for skade ved feil bruk.

TEKNISKE DATA

Modell:	KT001G
Nominell spenning	DC 36 V – 40 V maks.
Kapasitet	0,8 l
Mål (L x B x H)	235 x 322 x 307 mm (uten batteri)
Nettovekt *1 (Kombinert verdi for vannkokeren og strømforsyningsstativet)	2,8 - 5,9 kg (med batterier)
Nettovekt (Kun vannkokeren)	1,0 kg
Nettovekt (Kun strømforsyningsstativet)	1,1 kg (uten batteri)
Beregnet koketid *2	ca. 8 min. (ved koking av 0,8 l vann på 23 °C når omgivelsestemperaturen er 23 °C)

*1 Den letteste og tyngste vektkombinasjonen av vannkokeren, strømforsyningsstativet og batteriene vises i tabellen.

*2 Verdiene kan være forskjellige avhengig av batteritype, ladestatus og bruksforhold.

- På grunn av vårt kontinuerlige forsknings- og utviklingsprogram kan spesifikasjonene som oppgis i dette dokumentet endres uten varsel.
- Spesifikasjonene kan variere fra land til land.

Mengde vann som kan kokes

Batteri (fulladet)	Mengde vann som kan kokes*
BL4020 x 2	1,1 l
BL4025 x 2	1,2 l
BL4040 x 2	2,2 l
BL4050F x 2	3,0 l
BL4080F x 2	4,9 l
PDC1200	11,4 l

* Ved koking av vann på 23 °C når omgivelsestemperaturen er 23 °C

MERK: Mengder er omtrentlige og kan være forskjellige avhengig av batteritype, ladestatus og bruksforhold.

MERK: Mengden vann som kan kokes med ett batteri, er omtrent halvparten av mengden som kan kokes med to batterier.

Passende batteri og lader

Batteriinnsett	BL4020 / BL4025 / BL4040 / BL4050F / BL4080F
Lader	DC40RA / DC40RB / DC40RC

- Noen av batteriene og laderne som er opplistet ovenfor er kanskje ikke tilgjengelige, avhengig av hvor du bor.

⚠ ADVARSEL: Bruk kun de batteriene og laderne som er opplistet ovenfor. Bruk av andre batterier og ladere kan føre til personskader og/eller brann.

Anbefalt ledning koblet til strømkilde

Bærbar lader	PDC1200
--------------	---------

- De(t) ledningstilkoblede batteriet/batteriene som er oppgitt ovenfor er kanskje ikke tilgjengelig(e), avhengig av hvor du bor.
- Før du bruker det ledningstilkoblede batteriet, må du lese instruksjons- og forsiktighetsskilt på dem.

Symboler

Nedenfor ser du symbolene som kan brukes for dette utstyret. Forviss deg om at du forstår hva de betyr, før du begynner å bruke maskinen.



Les bruksanvisningen.



Advarsel: Varm overflate. Fare for brannskader. Ikke ta på den før den er avkjølt.



Et representativt batteri som gjelder for dette produktet.



Kun for EU-land
På grunn av forekomst av farlige komponenter i utstyret, kan avfall fra elektrisk og elektronisk utstyr, akkumulatører og batterier ha en negativ innvirkning på miljøet og menneskers helse.

Ikke kast elektriske og elektroniske apparater eller batterier sammen med husholdningsavfall!
I samsvar med det europeiske direktivet om avfall fra elektrisk og elektronisk utstyr og om akkumulatører og batterier samt akkumulatører og batterier som skal kastes, samt deres tilpasning til nasjonal lovgivning, skal brukt elektrisk utstyr samt brukte batterier og akkumulatører samles inn separat og leveres til et eget innsamlingssted for kommunalt avfall, som driver virksomhet i samsvar med miljøvernforskriftene.

Dette er angis av symbolet med den overkryssede avfallsbeholderen som er plassert på utstyret.



Kun for land i EU
Riktig avhending av dette produktet
 Dette merket angir at produktet ikke må kastes i vanlig husholdningsavfall innen EU. For å forhindre mulig miljøskade eller risiko for helsen ved ukontrollert avfallsbehandling, gjenvinn det på en ansvarsfull måte for å fremme bærekraftig gjenbruk av materialene. For å returnere det brukte produktet, må du bruke retur- og innsamlingssystemet eller ta kontakt med forhandleren der produktet ble kjøpt. De kan bringe dette produktet til et miljø sikkert gjenvinningssted.

På grunn av forekomst av farlige komponenter i utstyret, kan brukt elektrisk og elektronisk utstyr ha en negativ innvirkning på miljøet og menneskers helse.

Riktig bruk

Dette apparatet er beregnet på å koke vann.

SIKKERHETSADVARSEL

Sikkerhetsadvarsler for batteridrevet vannkoker

⚠ADVARSEL: VIKTIG. LES NØYE alle sikkerhetsadvarsler og instruksjoner FØR BRUK. Hvis du ikke følger alle advarslene og instruksjonene som er oppført nedenfor, kan det føre til elektriske støt, brann og/eller alvorlige helseskader.

1. **Ikke bruk tilbehør som ikke er anbefalt av produsenten.** Ellers kan det føre til uventede hendelser.
2. **Ikke ta på varme overflater.** Overflater kan bli varme under bruk.
3. **Ikke bruk apparatet i nærheten av eksplosive atmosfærer.** Det kan føre til brannskader eller brann.
4. **Ikke bruk apparatet nær varmekilder (for eksempel ovner).**
5. **Ikke bruk apparatet i fuktige eller våte omgivelser, og ikke utsett det for regn.** Det kan trenge vann inn i apparatet, noe som kan føre til elektrisk støt.
6. **Sett apparatet på det flate, stabile underlaget.**
7. **Ikke dekk til tuten under koking.** Damp kan ikke slippe ut, og kan forårsake funksjonsfeil eller personskade.
8. **La apparatet kjøle seg ned før rengjøring.** Ellers kan det oppstå brannskader.
9. **Ikke legg ned et apparat som inneholder vann.** Utslippslåsen forsegler ikke vann fullstendig. Vann kan renne ut selv om utslippslåsen er aktivert.
10. **Plasser apparatet slik at ikke vegger eller møbler utsettes for damp.** Ellers kan det føre til misfarging, deformering eller sprekkdannelse.
11. **Kok kun vann. Ikke kok annet enn vann, f.eks. melk, te, suppe osv.** Ellers kan det føre til at innholdet spruter ut og forårsaker en skade, eller apparatet kan bli skittent eller det kan oppstå en funksjonsfeil.
12. **Ikke ha annet enn vann i vannkokeren, f.eks. en flaske eller kopp osv.** Ellers kan det føre til at vannet spruter ut og forårsaker en skade, eller apparatet kan bli skittent eller det kan oppstå en funksjonsfeil.
13. **Ikke åpne lokket rett etter at det er ferdig med å koke.** Det kan dryppe kokende vann som kan føre til brannskader.

⚠ADVARSEL: IKKE LA hensynet til hva som er "behagelig" eller det faktum at du kjenner produktet godt (etter mange gangers bruk) gjøre deg mindre oppmerksom på sikkerhetsreglene for bruken av det aktuelle produktet. Ved MISBRUK eller hvis ikke sikkerhetsreglene i denne bruksanvisningen følges, kan det oppstå alvorlig personskade.

Bruk og vedlikehold av batteridrevet apparat

- Unngå utilsiktet start. Pass på at bryteren er i av-stilling før du kobler til batteriet, og før du tar det opp eller begynner å bære apparatet.** Hvis du bærer apparatet med fingeren på bryteren eller kobler strøm til apparatet med bryteren i på-stillingen, kan det lett oppstå ulykker.
- Før du foretar eventuelle justeringer, skifter tilbehør eller setter apparatet bort til oppbevaring, må du ta batteriet ut av apparatet.** Slike forebyggende sikkerhetsiltak reduserer faren for at apparatet starter utilsiktet.
- Batteriet må kun lades opp igjen med en lader spesifisert av produsenten.** En lader som passer til én batteritype, kan være brannfarlig når den brukes med en annen batteritype.
- Utstyr skal kun brukes med spesifikt angitte batterier.** Bruk av andre batterier kan utgjøre en fare for personskader og brann.
- Når batteriet ikke er i bruk, må du holde verktøyet unna metallgjenstander som f.eks. binders, mynter, nøkler, spiker, skruer og andre små metallgjenstander som kan skape forbindelse mellom de to polene.** Hvis batteripolene kortsluttes, kan du få brannskader, eller det kan begynne å brenne.
- Hvis batteriet utsettes for hardhendt bruk, kan det lekke væske fra batteriet. Unngå kontakt med væsken.** Hvis du kommer i kontakt med batterivæsken, må du skylle med vann. Hvis du får batterivæske i øynene, må du i tillegg oppsøke lege. Væske som kommer ut av batteriet, kan forårsake irritasjon eller forbrenninger.
- Ikke bruk et batteri eller apparat som er skadet eller endret på.** Batterier som er skadet eller endret på kan oppføre seg upålitelig og medføre brann, eksplosjon eller fare for personskader.
- Et batteri eller apparatet må ikke utsettes for ild eller for høy temperatur.** Ild eller temperaturer på over 130 °C kan forårsake eksplosjon.
- Følg alle ladeinstruksjonene, og ikke lad batteriet eller apparatet utenfor temperaturområdet som er angitt i instruksjonene.** Feil lading eller lading ved temperaturer utenfor det angitte området, kan skade batteriet og øke faren for brann.
- La en kvalifisert reparatør utføre service, og se til at vedkommende kun bruker originale reservedeler.** Dette vil opprettholde sikkerheten til produktet.
- Ikke modifierer eller forsøk å reparere apparatet eller batteripakken, med unntak av det som er angitt i instruksjonene for bruk og stell.**

Viktige sikkerhetsanvisninger for batteriinnsetts

- Før du begynner å bruke batteriet, må du lese alle anvisninger og forsiktighetsregler på (1) batteriladeren, (2) batteriet og (3) det produktet batteriet skal brukes i.**
- Du må ikke demontere eller tukle med batteriet.** Det kan føre til brann, overoppheting eller eksplosjon.
- Hvis driftstiden er blitt vesentlig kortere, må du omgående slutte å bruke maskinen.** Hvis ikke kan resultatet bli overoppheting, mulige forbrenninger eller til og med en eksplosjon.
- Hvis du får elektrolytt i øynene, må du skylle dem med store mengder rennende vann og oppsøke lege med én gang.** Denne typen uhell kan føre til varig blindhet.
- Ikke kortslett batteriet:**
 - De kan være ekstremt varme og du kan brenne deg.**
 - Ikke lagre batteriet i samme beholder som andre metallgjenstander, som for eksempel spiker, mynter osv.**
 - Ikke la batteriet komme i kontakt med vann eller regn.**En kortslutning av batteriet kan føre til et kraftig strømstøt, overoppheting, mulige forbrenninger og til og med til at batteriet går i stykker.
- Ikke oppbevar og bruk apparatet og batteriet på steder hvor temperaturen kan komme opp i eller overskride 50 °C (122 °F).**
- Ikke sett fyr på batteriet, ikke engang om det er sterkt skadet eller helt utslitt.** Batteriet kan eksplodere hvis det begynner å brenne.
- Du må ikke spikre, skjære, klemme, kaste eller miste batteriet, og heller ikke slå en hard gjenstand mot batteriet.** En slik adferd kan føre til brann, overoppheting eller eksplosjon.
- Ikke bruk batterier som er skadet.**
- Lithium-ion-batteriene som medfølger er gjenstand for krav om spesialavfall.** For kommersiell transport, f.eks. av tredjeparter eller spedtører, må spesielle krav om pakking og merking følges. For varen blir sendt, må du forhøre deg med en ekspert på farlig materiale. Ta også hensyn til muligheten for mer detaljerte nasjonale bestemmelser. Bruk teip eller maskeringsteip for å skjule åpne kontakter og pakk inn batteriet på en slik måte at den ikke kan bevege seg rundt i emballasjen.
- Når batteriet skal avhendes, tar du det ut av apparatet og kaster det på et trygt sted. Følg lokale forskrifter for avhending av batterier.**
- Bruk batteriene kun med produkter spesifisert av Makita.** Montere batteriene i produkter som ikke er konforme kan føre til brann, overoppheting eller elektrolyttlekkasje.
- Hvis apparatet ikke skal brukes på en god stund, må batteriet tas ut av apparatet.**
- Under og etter bruk kan batteriet bli varmt og føre til brannskader. Vær forsiktig med håndteringen av varme batterier.**

15. Ikke ta på batteripolen på apparatet rett etter bruk, da den kan bli varm og forårsake brannskader.
16. Ikke la spon, støv eller jord sette seg fast i batteripolene, hullene og sporene i batteriet. Det kan føre til dårlig ytelse eller at apparatet eller batteriet slutter å fungere.
17. Med mindre apparatet støtter bruk nær høyspente strømlinjer, skal ikke batteriet brukes i nærheten av høyspente strømlinjer. Det kan føre til en funksjonsfeil eller at apparatet eller batteriet slutter å fungere.
18. Oppbevar batteriet utilgjengelig for barn.

TA VARE PÅ DISSE INSTRUKSENE.

⚠FORSIKTIG: Bare bruk originale Makita-batterier. Bruk av uoriginale Makita-batterier eller batterier som har blitt modifisert kan føre til at batteriet sprekker og forårsaker brann, personskade og materielle skader. Det vil også oppheve Makitas garanti for Makita-apparatet og -laderen.

Tips for å opprettholde maksimal batterilevetid

1. Lad batteriet før det er helt utladet. Slutt alltid å bruke apparatet og lad batteriet når du merker at effekten reduseres.
2. Lad aldri en batteriinnatts som er fulladet. Overoplading forkorter batteriets levetid.
3. Lad batteriet i romtemperatur ved 10 °C - 40 °C. Et varmt batteri må kjøles ned før lading.
4. Når batteriet ikke er bruk, skal det tas ut av apparatet eller laderen.
5. Lad batteriet hvis det ikke har vært brukt på en lang stund (over seks måneder).

DELEBESKRIVELSE

Vannkoker

► Fig.1

1	Tut	2	Lokk
3	Utslippslåsknapp	4	Knapp som åpner lokket
5	Håndtak	6	Linje for maksimalt innhold
7	Vannvolumskala	8	Strømforsyningskontakt (på undersiden)
9	Temperatursensor	-	-

Strømforsyningsstativ

► Fig.2

10	Bærehåndtak	11	Strømforsyningskontakt
12	Strømbryter	13	Batteri
14	Temperatursensor	15	Jordfølgelselement

FUNKSJONSBEKRIVELSE

⚠FORSIKTIG: Forviss deg alltid om at apparatet er slått av og batteriinnattsen er tatt ut før du justerer maskinen eller kontrollerer de mekaniske funksjonene.

Sette inn eller ta ut batteri

⚠FORSIKTIG: Slå alltid av apparatet før du setter inn eller tar ut batteriet.

⚠FORSIKTIG: Hold verktøyet og batteripatronen i et fast grep når du monterer eller tar ut batteriinnattsen. Hvis du ikke holder apparatet og batteriinnattsen godt fast, kan du miste grepet, og dette kan føre til skader på apparatet og batteriinnattsen samt personskader.

For å ta ut batteriinnattsen må du skyve på knappen foran på batteriet og trekke det ut.

Når du skal sette inn batteriet, må du plassere tungen på batteriet på linje med sporet i huset og skyve batteriet på plass. Skyv det helt inn til det går i inngrep med et lite klikk. Hvis du kan se den røde indikatoren på oversiden av knappen, er det ikke fullstendig låst.

► Fig.3: 1. Rød indikator 2. Knapp 3. Batteriinnatts

⚠FORSIKTIG: Batteriet må alltid settes helt inn, så langt at den røde indikatoren ikke lenger er synlig. Hvis dette ikke gjøres, kan batteriet falle ut av verktøyet og skade deg eller andre som oppholder seg i nærheten.

⚠FORSIKTIG: Ikke bruk makt når du setter i batteriet. Hvis batteriet ikke glir lett inn, er det fordi det ikke settes inn på riktig måte.

MERK: Opptil to batterier kan settes i, men apparatet bruker kun ett batteri under drift.

Indikere gjenværende batterikapasitet

Trykk på sjekk-knappen på batteriet for vise gjenværende batterikapasitet. Indikatorlampene lyser i et par sekunder.

► Fig.4: 1. Indikatorlamper 2. Kontrollknapp

Indikatorlamper			Gjenværende batterinivå
Tent	Av	Blinker	
■	□	▬	75 % til 100 %
■ ■ ■ ■	□ □ □ □		50 % til 75 %
■ ■ ■ □	□ □ □ □		25 % til 50 %
■ □ □ □	□ □ □ □		0 % til 25 %
▬ □ □ □	□ □ □ □		Lad batteriet.
■ ■ □ □	□ □ □ □		Batteriet kan ha en feil.
□ □ ■ ■	□ □ □ □	↑ ↓	

MERK: Det angitte nivået kan avvike noe fra den faktiske kapasiteten alt etter bruksforholdene og den omgivende temperaturen.

MERK: Den første (helt til venstre) indikatorlampen vil blinke når batterivernsystemet fungerer.

Vernesystem for apparat/batteri

Apparatet og batteriet er utstyrt med vernesystemet. Dette systemet slår automatisk av strømmen til motoren for å forlenge apparatets og batteriets levetid. Apparatet stopper automatisk under bruk hvis apparatet eller batteriet utsettes for ett av følgende forhold.

- **Overlastvern:** Når apparatet eller batteriet brukes på en måte som gjør at det bruker unormalt mye strøm, vil apparatet stanse automatisk uten noen form for indikasjon. I denne situasjonen må du skru av apparatet og stanse bruken som forårsaket apparatet å bli overopphetet. Slå deretter apparatet på for å starte det igjen.
- **Overopphetingsvern:** Når apparatet eller batteriet blir overopphetet, stanser det automatisk. La apparatet kjøle seg ned før du slår det på igjen.
- **Overutladningsvern:** Når batterikapasiteten blir lav, stanser apparatet automatisk. Hvis apparatet ikke fungerer selv om bryterne skrur på, må du ta ut batteriet av apparatet og lade det.

Vern mot andre årsaker

Vernesystemet er også laget for beskyttelse av andre systemer som kan skade apparatet og gjøre at apparatet stanser automatisk. Ta alle de følgende forholdsreglene for å fjerne årsakene til at apparatet har stanset midlertidig mens det er i drift.

1. Slå apparatet av, og så på for å starte det igjen.
2. Lad opp batteriet/ene eller skift det/dem ut med oppladde batteri(er).
3. La apparatet og batteriet/ene kjøle seg ned.

Hvis det ikke blir noen bedring ved å gjenopprette verne-systemet, ta kontakt med det lokale Makita servicesenteret.

Bruk av apparatet med ledningstilkoblet strømkilde

Før du bruker den ledningstilkoblede strømkilden, må du lese instruksjons- og forsiktighetsskilt på den.

ADVARSEL: Når du bruker apparatet med en ledningstilkoblet strømkilde, må den ledningstilkoblede strømkilden stå på et stabilt underlag. Dette apparatet brukes i statisk stilling. Hvis du bruker den ledningstilkoblede strømkilden som du bærer på ryggen, kan det oppstå en fallulykke.

BRUK

Klargjøring

Utfør følgende trinn når du bruker apparatet for første gang eller etter langvarig oppbevaring.

1. Fjern all emballasje fra apparatet.
2. Rengjør innviden av vannkokeren og filteret. Det kan være smuss, f.eks. støv, på dem.

Informasjon om rengjøring finnes i kapittelet "VEDLIKEHOLD".

Koke vann

FORSIKTIG: Kok kun vann. Ikke kok noe annet enn vann.

FORSIKTIG: Ikke plasser apparatet på et ustabilt sted, et sted hvor folk ofte går forbi eller et sted der barn kan nå det. Ellers kan apparatet velte ved et uhell og forårsake personskade.

FORSIKTIG: Når du lukker lokket, skyver du lokket godt på plass og setter utslippslåsknappen i låst stilling. Ellers kan det oppstå brannskader som følge av en fallulykke.

1. Åpne lokket samtidig som du skyver begge knappene som åpner lokket.
2. Hell ønsket mengde friskt, lunkent vann i vannkokeren. Lukk lokket.

FORSIKTIG: Kontroller at utslippslåsknappen er i låst stilling. Ellers kan du søle kokt vann ved et uhell og forårsake brannskader.

FORSIKTIG: Ikke fyll med vann over linjen for maksimalt innhold. Ellers kan kokt vann kan sprute ut og forårsake brannskader.

OBS: Unngå brenning som følge av mangel på vann – ikke slå på apparatet uten at det er vann i det. Ellers kan det oppstå misfarging eller funksjonsfeil.

► Fig.5

3. Sett vannkokeren på strømforsyningsstativet.
- Fig.6

4. Trykk på strømbryteren.

Strømbryteren lyser oransje og avgir en enkelt pipelyd, og så begynner kokingen.


► Fig.7: 1. Strømbryter

FORSIKTIG: Sørg for at lokket er lukket. Ellers kan det slippe ut store mengder damp, noe som kan føre til brannskader.

FORSIKTIG: Sørg for at låsekappen for utslipp er i låst posisjon. Ellers kan det slippe ut en stor mengde damp, noe som kan føre til brannskader.

FORSIKTIG: Ikke berør dampen. Fare for brannskader.

► Fig.8

FORSIKTIG: Ikke ta rundt merket  og metall-delen i figuren under koking og en stund etter koking. Fare for brannskader.

► Fig.9: 1. Metalldelen kan bli veldig varm

MERK: Hvis du trykker på strømbryteren rett etter kokeprosessen, kan det hende at apparatet ikke fungerer på grunn av beskyttelsen mot høy temperatur. Da lar du apparatet kjøle seg ned, og deretter trykker du på strømbryteren igjen.

Når kokingen er ferdig, slås apparatet automatisk av med noen sekunders pipelyd.

MERK: Når du løfter vannkokeren eller strømforsyningsstativet under koking, slutter apparatet å koke, og strømbryteren blinker oransje.

— Hvis du setter vannkokeren eller strømforsyningsstativet tilbake mens strømbryteren blinker, starter apparatet automatisk å koke på nytt.

— Få sekunder etter at du har løftet vannkokeren eller strømforsyningsstativet, slås apparatet av.

MERK: Når batterikapasiteten blir lav under koking, slås apparatet av, og strømbryteren blinker rødt i noen sekunder med tre pipelyder.

MERK: Hvis du slår på apparatet når batterikapasiteten er lav, slås apparatet av innen et par sekunder og avgir ett pip.

5. Løft vannkokeren mens du holder i bærehåndtaket til strømforsyningsstativet.

► Fig.10

6. Hell vannet.

⚠FORSIKTIG: Pass på at du ikke brenner deg mens du heller kokende vann.

Utslippslåsknappen skal forhindre utilsiktet utslipp av vann. Trykk på utslippslåsknappen for å helle vann.

► Fig.11

Bæring

⚠ADVARSEL: Ikke bær vannkokeren med strømforsyningsstativet mens du varmer opp vann eller med kokt vann i vannkokeren. Ellers kan det gi brannskader som følge av en fallulykke.

Hold i bærehåndtaket når du bærer apparatet.

VEDLIKEHOLD

⚠ADVARSEL: Alle deler må skiftes av et autorisert servicesenter.

⚠FORSIKTIG: Forviss deg alltid om at apparatet er slått av, støpselet trukket ut og at batteri-innsatsen er tatt ut før du foretar inspeksjon eller vedlikehold.

⚠FORSIKTIG: Ikke ta på vannkokeren rett etter det kokende vannet er tømt ut. Vent til vannkokeren er helt nedkjølt. Ellers kan det oppstå brannskader.

⚠FORSIKTIG: Kontroller alltid at vannkokeren er tom før du foretar inspeksjon eller vedlikehold. Ellers kan det oppstå ulykker.

► Fig.12

⚠OBS: Aldri bruk gasolin, bensin, tynner alkohol eller lignende. Det kan føre til misfarging, deformering eller sprekkdannelse.

⚠OBS: Ikke bruk oppvaskmaskin, oppvasktørker eller hårføner.

⚠OBS: Ikke bruk poleringspulver, blekemiddel, rengjøringsmiddel, metallskrubbeborste, kjemisk skrubbeborste osv.

⚠OBS: Ikke vask vannkokeren og strømforsyningsstativet. Unngå at strømforsyningskontakten blir våt.

► Fig.13

For å opprettholde produktets SIKKERHET og PÅLITELIGHET, må reparasjoner, vedlikehold og justeringer utføres av autoriserte Makita servicesentre eller fabrikkerservicesentre, og det må alltid brukes reservedeler fra Makita.

Rengjøring

Utsiden av apparatet

Når apparatet har kjølt seg ned, rengjør du det på utsiden ved hjelp av rene kluter.

Hvis apparatet er veldig skittent, bruker du en klut fuktet med såpevann. Deretter tørker du bort vannet med en tørr klut.

► Fig.14

Innsiden av vannkokeren

Ta av lokket ved å trekke det ut fra vannkokeren som vist i figuren.

► Fig.15

Skyll godt med vann, og tørk deretter innsiden.

Filter

Ta ut filteret ved å trekke det ut fra lokket som vist i figuren. Vask filteret, og deretter tørker du det.

► Fig.16: 1. Filter

Følg fremgangsmåten for demontering i motsatt rekkefølge for å montere filteret og lokket.

Fjerne belegg på innsiden av vannkokeren

Under bruk av apparatet vil det dannes et kalkbelegg på innsiden av vannkokeren. Kalkbelegg gjør kokingen ineffektiv. Hvis du merker kalkbelegg, rengjør du innsiden av vannkokeren med sitronsyre.

1. Åpne lokket, og ta filteret ut av lokket.
2. Tøm vann opp til linjen for maksimalt innhold i vannkokeren.
3. Tiltsett 40 g (1,4 unse) kommersielt tilgjengelig sitronsyre i vannet, og rør godt om. Lukk lokket.
4. Sett vannkokeren på strømforsyningsstativet.
5. Trykk på strømbryteren.
6. La vannkokeren stå i omkring 1 time etter koking.
7. Tøm bort vannet, og skyll innsiden av vannkokeren med vann.
8. Hvis du smaker eller lukter sitronsyre, koker du opp rent vann og tømmer det bort.
9. Tørk vannkokeren, og monter filteret på lokket.

Er det vanskelig å fjerne smusset, gjentar du trinn 2 til 7.

Oppbevaring

For å forhindre brann eller branntilløp, la apparatet avkjøles helt før du setter det bort. Ikke oppbevar det utladede batteriet over lengre tid, det kan forkorte dets holdbarhet.

FEILSØKING

Inspiser utstyret selv før du bestiller reparasjon. Ikke prøv å demontere maskinen hvis du finner et problem som ikke er forklart i brukerveiledningen. I stedet skal du ta kontakt med et autorisert Makita-servicesenter, som alltid bruker reservedeler fra Makita til reparasjoner.

Symptom	Sannsynlig årsak	Løsning
Fungerer ikke.	Batteriene er feil satt inn.	Sett inn batteriene som beskrevet i denne håndboken.
	Batteriene er flate.	Lad batteriene.
Apparatet slås av med en pipelyd med en gang jeg slår på apparatet.	Temperatursensoren registrerer høy temperatur fordi du har trykket på strømbryteren rett etter koking.	La apparatet stå og kjøle seg ned i noen minutter.
Apparatet slås av og strømbryteren blinker oransje med en gang jeg slår på apparatet.	Temperatursensoren til terminalen er skitten.	Tørk smusset av temperatursensoren med en tørr klut.
	Strømforsyningsstativet står skjevt eller er plassert på ustabil underlag.	Sett apparatet på stabilt, jevnt og flatt underlag.
Selv om kokingen ikke er ferdig, slås apparatet av og piper i et par sekunder akkurat som når kokingen er ferdig.	Temperatursensoren til terminalen er skitten.	Tørk smusset av temperatursensoren med en tørr klut.
	Vannkokeren er ikke plassert ordentlig i strømforsyningsstativet, og det kan ha samlet seg støv eller lignende mellom vannkokeren og strømforsyningsstativet.	Fjern alt støv på undersiden av vannkokeren eller på strømforsyningsstativet.
Strømbryteren slutter ikke å blinke rødt. (Og strømbryteren slår seg av etter omlag 10 minutter.)	Strømforsyningskontakten på vannkokeren og/eller strømforsyningsstativet er skitten.	Ta ut batteriet, og tørk bort smusset på strømforsyningskontakten med en tørr klut.
Det koker over.	Det er fylt vann opp over maksimumslinjen.	Reduser vannivået under linjen for maksimalt innhold.
	Vannkokeren er fylt med noe annet enn vann.	Ikke kok noe som helst annet enn vann.
Det lukter av det kokte vannet.	Klor i vann fra springen kan lukte.	
	Lukt av harpiks etter utpakking vil forsvinne med tiden.	
Dråper av kokt vann på strømforsyningsstativet.	Duggkondens kan oppstå på apparatet som følge av dampen fra kokt vann.	
Det lekker ut kokt vann når du heller vannkokeren.	Det er en åpning i tuten. Selv om knappen som åpner lokket er i låst stilling, lekker vannet ut når du heller vannkokeren.	

VALGFRITT TILBEHØR

⚠FORSIKTIG: Det anbefales at du bruker det tilbehøret sammen med det Makita-apparatet som beskrives i denne håndboken. Bruk av annet tilbehør eller verktøy kan forårsake personskader. Tilbehør og verktøy må kun brukes til det formålet det er beregnet på.

Ta kontakt med ditt lokale Makita-servicesenter hvis du trenger mer informasjon om dette tilbehøret.

- Originalbatteri fra Makita og lader godkjent av Makita

MERK: Enkelte elementer i listen kan være inkludert som standardtilbehør i verktøypakken. Elementene kan variere fra land til land.

VAROITUS

- Käyttäjille Euroopassa:
8-vuotiaat tai sitä vanhemmat lapset voivat käyttää tätä laitetta, jos se tapahtuu valvotusti tai jos heille annetaan riittävät ohjeet laitteen käyttämiseksi turvallisella tavalla ja he ymmärtävät siihen liittyvät riskit. Lapset saavat tehdä puhdistus- ja huoltotoimia vain, mikäli he ovat yli 8-vuotiaita ja heitä valvotaan niiden aikana. Pidä laite ja sen johto alle 8-vuotiaiden lasten ulottumattomissa.
Laitteita voivat käyttää myös henkilöt, joiden fyysiset, sensoriset tai henkiset kyvyt ovat rajoittuneet tai joilla ei ole kokemusta tai tietoa laitteen käytöstä, jos he käyttävät laitetta valvotusti tai jos heille annetaan riittävät ohjeet laitteen käyttämiseksi turvallisella tavalla ja he ymmärtävät siihen liittyvät riskit.
Lapset eivät saa leikkiä laitteella.
- Käyttäjille muualla kuin Euroopassa:
Tämä laite ei ole tarkoitettu sellaisten henkilöiden (lapset mukaan lukien) käytettäväksi, joiden fyysiset, sensoriset tai henkiset kyvyt tai kokemuksen tai tiedon puute estävät heitä käyttämästä laitetta turvallisesti, ellei heidän turvallisuudestaan vastaava henkilö valvo heitä tai opasta heitä laitteen käytössä. Lapsia tulee valvoa ja varmistaa, etteivät he pääse leikkimään laitteella.
- Tarkista käyttäjän huoltotoimien aikana noudatettavat varotoimet luvusta ”KUNNOSSAPITO”.
- Tarkista akun tyyppi luvusta ”TEKNISET TIEDOT”.
- Katso akun irrotus- tai poisto-ohjeet osiosta ”Akun asentaminen tai irrottaminen”.
- Kun akkupaketti on hävitettävä, poista se työkalusta ja hävitä se turvallisesti. Hävitä akku paikallisten määräysten mukaisesti.
- Jos työkalua ei käytetä pitkään aikaan, akku on poistettava työkalusta.
- Älä oikosulje akkupakettia.
- Tämä laite on tarkoitettu käytettäväksi kotitalouksissa tai vastaavissa ympäristöissä, kuten esimerkiksi:
 - kauppojen, toimistotilojen ja muiden työympäristöjen henkilöstötiloissa
 - maataloilla
 - hotellien, motellien ja muiden asuinhuoneistomaisten majoitusratkaisujen asiakkaiden käytössä
 - bed and breakfast -tyyppisissä ympäristöissä.
- Älä upota laitetta ja akkua veteen tai muuhun nesteeseen tulipalo- ja sähköiskuvaaran takia.
- Älä ylitäytä laitetta vedellä. Kiehuva vesi voi roiskua ulos ja aiheuttaa palovammoja.
- VAROITUS: Älä poista kantta, kun vesi kiehuu.
- Kyseessä on akkukäyttöinen laite, jonka akku ladataan laitteesta irrotettuna.
- Ladattavat akut on poistettava laitteesta ennen niiden lataamista.
- Akut on asetettava navat oikeinpäin.
- Loppuun kuluneet akut on poistettava laitteesta ja hävitettävä asianmukaisesti.
- Vältä nesteiden roiskuttamista virtalähteen liittimiin tai akkuliittimiin.
- Tämä vedenkeitinlaite on tarkoitettu tarkoitetun veden keittämiseen ja sen väärinkäyttöön liittyy vammojen vaara.

TEKNISET TIEDOT

Malli:	KT001G
Nimellisjännite	DC 36 V – 40 V maks.
Kapasiteetti	0,8 l
Mitat (P x L x K)	235 x 322 x 307 mm (ilman akkupakettia)
Nettopaino *1 (Vedenkeitin ja virtalähdejalusta yhteensä)	2,8–5,9 kg (akkupaketeilla)
Nettopaino (Pelkkä vedenkeitin)	1,0 kg
Nettopaino (Pelkkä virtalähdejalusta)	1,1 kg (ilman akkupakettia)
Arvioitu kiehumisaika *2	noin 8 min. (keitettäessä 0,8 l 23 °C:n lämpöistä vettä, kun käyttöympäristön lämpötila on 23 °C)

*1 Taulukossa on ilmoitettu kevyin ja painavin keitin-, virtalähdejalusta- ja akkupakettiyhdistelmän paino.

*2 Arvot voivat vaihdella akkutyyppin, lataustilan ja käyttöolosuhteiden mukaan.

- Jatkuvasta tutkimus- ja kehitystyöstämme johtuen esitetyt tekniset tiedot saattavat muuttua ilman erillistä ilmoitusta.
- Tekniset tiedot voivat vaihdella maittain.

Keitettävän veden määrä

Akkupaketti (täyteen ladattuna)	Keitettävän veden määrä*
BL4020 x 2	1,1 l
BL4025 x 2	1,2 l
BL4040 x 2	2,2 l
BL4050F x 2	3,0 l
BL4080F x 2	4,9 l
PDC1200	11,4 l

* Keitettäessä 23 °C:n lämpöistä vettä, kun käyttöympäristön lämpötila on 23 °C

HUOMAA: Lukemat ovat arvioituja ja voivat vaihdella akkutyyppin, lataustilan ja käyttöolosuhteiden mukaan.

HUOMAA: Yhdellä akulla keitettävän veden määrä on noin puolet kahdella akulla keitettävästä.

Käytettävä akkupaketti ja laturi

Akkupaketti	BL4020 / BL4025 / BL4040 / BL4050F / BL4080F
Laturi	DC40RA / DC40RB / DC40RC

- Tiettyjä yläpuolella kuvattuja akkuja ja latureita ei ehkä ole saatavana asuinalueestasi johtuen.

VAROITUS: Käytä vain edellä eriteltyjä akkupaketteja ja latureita. Muiden akkupakettien ja laturien käyttäminen voi aiheuttaa loukkaantumisen ja/tai tulipalon.

Suosittelun johdollinen virtalähde

Kannettava tehoyksikkö	PDC1200
------------------------	---------

- Edellä luetellut johdolliset akkupaketit eivät ehkä ole saatavana asuinalueellasi.
- Lue johdollisen akkupaketin käyttöohjeet ja tutustu siinä oleviin varoitusmerkintöihin ennen sen käyttämistä.

Symbolit

Laitteessa on mahdollisesti käytetty seuraavia symboleja. Opettele niiden merkitys ennen käyttöä.



Lue käyttöohje.



Varoitus: Kuuma pinta. Palovammojen vaara. Anna jäähtyä ennen koskettamista.



Tälle tuotteelle sopiva malliaku.



Koskee vain EU-maita
Käytetyillä sähkö- ja elektroniikkalaitteilla, paristoilla ja akuilla voi olla negatiivisia ympäristö- ja terveysvaikutuksia niissä käytettyjen haitallisten osien takia.
Älä hävitä sähkö- ja elektroniikkalaitteita tai akkuja kotitalousjätteen mukana!
Vanhoja sähkö- ja elektroniikkalaitteita, paristoja ja akkuja koskevan EU-direktiivin ja sen perusteella laadittujen kansallisten lakien mukaan käytetyt sähkö- ja elektroniikkalaitteet, paristot ja akut on kierrätettävä toimittamalla ne erilliseen, ympäristönsuojelusäädösten mukaisesti toimivaan kierrätyspisteeseen. Tämä on ilmaistu laitteessa olevalla ylivedetyn roska-astian symbolilla.



Koskee vain EU-maita
Tuotteen asianmukainen hävittäminen
Tämä merkintä ilmaisee, että tuotetta ei saa hävittää talousjätteenä EU-alueella.
Hallitsemattoman jätteiden hävityksen aiheuttamien ympäristö- ja terveyshaittojen välttämiseksi kierrätä tuote vastuullisesti, niin edistät samalla materiaalien uudelleenkäyttöä. Palauta käytetty laite palautus- ja keräyspisteeseen tai tuotteen myyneelle jälleenmyyjälle. Tällöin tuote läitetään asianmukaisesti kierrätykseen.
Käytetyillä sähkö- ja elektroniikkalaitteilla voi olla negatiivisia ympäristö- ja terveysvaikutuksia niissä käytettyjen haitallisten osien takia.

Käyttötarkoitus

Tämä laite on tarkoitettu veden keittämiseen.

TURVAVAROITUKSET

Akkukäyttöisen vedenkeittimen turvavaroitukset

VAROITUS: LUE HUOLELLISESTI kaikki turvavaroitukset ja käyttöohjeet ENNEN KÄYTTÖÄ. Jos varoitusten ja ohjeiden noudattaminen laiminlyödään, seurauksena voi olla sähköisku, tulipalo ja/tai vakava vammautuminen.

1. **Älä käytä muita kuin valmistajan suosittelemia lisävarusteita.** Muutoin laitteeseen saattaa kertyä ennakoimattomia jäämiä.
2. **Älä kosketa kuumia pintoja.** Pinnat voivat kuumeta käytön aikana.
3. **Älä käytä laitetta räjähtäviä kaasuja sisältävässä ilmassa.** Muuten voi syntyä palovammoja tai syttyä tulipalo.

4. **Älä käytä laitetta lämmönlähteiden (uunin tms.) läheisyydessä.**
5. **Älä käytä laitetta kosteassa tai märässä paikassa äläkä altista sitä sateelle.** Muuten laitteeseen sisään voi päästä vettä ja aiheutua sähköisku.
6. **Aseta laite tasaiselle pinnalle.**
7. **Älä peitä nokkaa keittämisen aikana.** Höyryn vapautumisen estyminen voi johtaa toimintahäiriöön tai vammaan.
8. **Anna laitteen jäähtyä ennen sen puhdistamista.** Muutoin seurauksena voi olla palovamma.
9. **Älä aseta vettä sisältävää laitetta kyljelleen.** Vuotolukko ei estä veden vuotamista täysin. Vettä voi roiskua, vaikka vuotolukko olisi päällä.
10. **Sijoita laite niin, ettei siitä tuleva höyry suuntaudu seinini tai huonekaluihin.** Muutoin seurauksena voi olla värjäytyimiä, muodon vääristymiä tai halkeilua.
11. **Keitä vain vettä. Älä keitä muita nesteitä kuin vettä, kuten maitoa, teetä, keittoa jne.** Muutoin keitettävä neste saattaa roiskua ulos ja aiheuttaa vamman tai laite saattaa likaantua tai siinä voi ilmetä toimintahäiriö.
12. **Älä sijoita vedenkeittimeen mitään muuta kuin vettä, kuten pulloa, kuppia jne.** Muutoin keitettävä vesi saattaa roiskua ulos ja aiheuttaa vamman tai laite saattaa likaantua tai siinä voi ilmetä toimintahäiriö.
13. **Älä avaa kantta heti keittämisen jälkeen.** Muuten kiehuvaa vesi voi valua ja aiheuttaa palovammoja.

VAROITUS: ÄLÄ anna työkalun helppokäyttöisyyden (toistuvan käytön aikaansaama) johtaa sinua väärään turvallisuuden tunteeseen niin, että laiminlyöt työkalun turvaohjeiden noudattamisen. **VÄÄRINKÄYTTÖ** tai tässä käyttöohjeessa ilmoitettujen turvamääräysten laiminlyönti voi aiheuttaa vakavia henkilövahinkoja.

Akkukäyttöisen laitteen turvavaroitukset

Akkukäyttöisen laitteen käyttö ja hoito

1. Estä tahaton käynnistyminen. Varmista, että kytkin on off-asennossa, ennen kuin asetat akkupaketin paikalleen, nostat laitetta tai kantat sitä. Laitteen kantaminen sormi kytkimellä tai laitteen kytkeminen virtalähteeseen kytkin painetuna aiheuttaa helposti onnettomuuden.
2. **Irrota akkupaketti laitteesta ennen minkään säätöjen tekemistä, lisävarusteiden vaihtamista tai laitteen varastointia.** Tällaiset ehkäisevät turvatoimet pienentävät laitteen vahingossa käynnistymisen vaaraa.
3. **Lataa akkua vain valmistajan määrittämällä laturilla.** Tietulle akkupaketille sopiva laturi voi aiheuttaa tulipalovaaran, jos sitä käytetään muun tyyppisen akkupaketin yhteydessä.
4. **Käytä laitteita vain määritysten mukaisten akkupakettien kanssa.** Muun tyyppisten akkupakettien käyttäminen voi aiheuttaa tapaturma- tai tulipalovaaran.

5. Kun akku ei ole käytössä, säilytä se erillään metalliesineistä, kuten paperiliittimistä, kolikoista, avaimista, nauloista, ruuveista ja muista pienistä metalliesineistä, jotka voivat yhdistää akun navat. Akun napojen oikosulkeminen voi aiheuttaa palovamman tai tulipalon.
6. Akusta voi vuotaa nestettä, jos sitä käsitellään väärin. Vältä kosketusta. Jos nestettä pääsee iholle vahingossa, huuhtelee iho vedellä. Jos nestettä pääsee silmiin, hakeudu lääkärin hoitoon. Ulos purkautunut akkuneste voi ärsyttää ihoa tai aiheuttaa palovammoja.
7. Älä käytä viallista tai muunneltua akkupakettia tai laitetta. Vialliset tai muunnellut akut voivat toimia odottamattomasti aiheuttamalla tulipalo-, räjähdys- tai tapaturmavaaran.
8. Älä altista akkupakettia tai laitetta tulelle tai äärimmäisille lämpötiloille. Altistus tulelle tai yli 130 °C:n lämpötiloille voi aiheuttaa räjähdysen.
9. Noudata kaikkia latausohjeita, äläkä lataa akkupakettia tai laitetta ohjeissa määritettyjen lämpötilarajojen ulkopuolella. Väärin tai ohjeissa määritettyjen lämpötilarajojen ulkopuolella suoritettu lataus voi aiheuttaa akkuvaurion ja kasvattaa tapaturmavaaraa.
10. Anna pätevän korjaajan huoltaa tuote vain akkuperäisiä vastaavia varaosia käyttämällä. Näin varmistetaan, että tuotteen turvallisuus säilyy.
11. Älä yritä muokata tai korjata laitetta tai akkupakettia muutoin kuin käyttö- ja ylläpito-ohjeissa on ohjeistettu.
8. Älä naulaa, leikkaa, purista, heitä tai pudota akkupakettia tai iske sitä kovia esineitä vasten. Tällaiset toimet voivat johtaa tulipaloon, ylikuumentumiseen tai räjähdykseen.
9. Älä käytä viallista akkua.
10. Sisältyviä litium-ioni-akkuja koskevat vaarallisten aineiden lainsäädännön vaatimukset. Esimerkiksi kolmansien osapuolten huolintaliikkeiden tulee kaupallisissa kuljetuksissa noudattaa pakkaamista ja merkintöjä koskevia erityisvaatimuksia. Lähetettävän tuotteen valmistelu edellyttää vaarallisten aineiden asiantuntijan neuvontaa. Huomioi myös mahdollisesti yksityiskohtaisemmat kansalliset määräykset
Akun avoimet liittimet tulee suojata teipillä tai suojuksella ja pakkaaminen tulee tehdä niin, ettei akku voi liikkua pakkauksessa.
11. Kun akkupaketti on hävitettävä, poista se laitteesta ja hävitä se turvallisesti. Hävitä akku paikallisten määräysten mukaisesti.
12. Käytä akkuja vain Makitan ilmoittamien tuotteiden kanssa. Akkujen asentaminen yhteen-sopimattomien tuotteisiin voi aiheuttaa tulipalon, liiallisen ylikuumentumisen, räjähdysen tai akkunestevuotoja.
13. Jos laitetta ei käytetä pitkään aikaan, akku on poistettava laitteesta.
14. Akkupaketin lämpötila voi käytön aikana ja sen jälkeen nousta niin kuumaksi, että se voi aiheuttaa palovammoja tai lieviä palovammoja. Käsittele kuumia akkupaketteja huolellisesti.
15. Älä kosketa laitteen liittintä välittömästi käytön jälkeen, sillä se voi olla riittävän kuuma aiheuttamaan palovammoja.
16. Älä päästä lastuja, pölyä tai maata akkupaketin liittimiin, aukkoihin ja uriin. Se voi heikentää laitteen tai akkupaketin suorituskykyä tai johtaa niiden rikkoutumiseen.
17. Ellei laite tue käyttöä korkeajännitelinjojen lähellä, älä käytä akkupakettia korkeajännitelinjojen lähellä. Se voi johtaa laitteen tai akkupaketin toimintahäiriöön tai rikkoutumiseen.
18. Pidä akku pois lasten ulottuvilta.

Akkupakettia koskevia tärkeitä turvaohjeita

1. Ennen akun käyttöönottoa tutustu kaikkiin laturissa (1), akussa (2) ja akkukäyttöosessa tuotteessa (3) oleviin varoitusteksteihin.
2. Älä pura tai peukaloi akkupakettia. Se voi johtaa tulipaloon, ylikuumentumiseen tai räjähdykseen.
3. Jos akun toiminta-aika lyhenee merkittävästi, lopeta akun käyttö. Seurauksena voi olla ylikuumentuminen, palovammoja tai jopa räjähdys.
4. Jos akkunestettä pääsee silmiin, huuhtelee puhtaalla vedellä ja hakeudu välittömästi lääkärin hoitoon. Akkuneste voi aiheuttaa näön menetyksen.
5. Älä oikosulje akkua.
 - (1) Älä koske akun napoihin millään sähköä johtavalla materiaalilla.
 - (2) Vältä akun oikosulkemista äläkä säilytä akkua yhdessä muiden metalliesineiden, kuten naulojen, kolikoiden ja niin edelleen kanssa.
 - (3) Älä aseta akkua alttiiksi vedelle tai sateelle. Oikosulku voi aiheuttaa virtapiikin, ylikuumentumista, palovammoja tai laitteen rikkoutumisen.
6. Älä säilytä ja käytä laitetta ja akkupakettia paikassa, jossa lämpötila voi nousta 50 °C:een (122 °F) tai korkeammaksi.
7. Älä hävitä akkupakettia polttamalla, vaikka se olisi pahoin vaurioitunut tai täysin loppuun kulunut. Avotuli voi aiheuttaa akkupaketin räjähtämisen.

SÄILYTÄ NÄMÄ OHJEET.

▲HUOMIO: Käytä ainoastaan alkuperäisiä Makita-akkuja. Muiden kuin aitojen Makita-akkujen käyttö tai jollakin tapaa muunneltujen akkujen käyttö voi johtaa akun halkeamiseen, mikä voi aiheuttaa tulipalon, vammoja ja vahinkoja. Se myös mitätöi Makita-laitteen ja -laturin Makita-takuun.

Vihjeitä akun käyttöä pidentämiseksi

1. Lataa akkupaketti ennen kuin se purkautuu täysin. Lopeta aina laitteen käyttö ja lataa akkupaketti, jos huomaat laitteen tehon vähenevän.
2. Älä koskaan lataa uudestaan täysin ladattua akkua. Yllälaataminen lyhentää akun käyttöikä.
3. Lataa akku huoneen lämpötilassa välillä 10 °C - 40 °C. Anna kuuman akun jäähtyä ennen lataamista.
4. Irrota akkupaketti laitteesta tai laturista, kun sitä ei käytetä.
5. Lataa akkupaketti, jos et käytä sitä pitkään aikaan (yli kuusi kuukautta).

OSIEN KUVAUS

Vedenkeitin

► Kuva1

1	Nokka	2	Kansi
3	Vuotolukun painike	4	Kannen avauspainike
5	Kahva	6	Maksimimääräviiva
7	Veden tilavuusasteikko	8	Virtalähteen liitin (pohjassa)
9	Lämpötilan tunnistin	-	-

Virtalähdejalusta

► Kuva2

10	Kantokahva	11	Virtalähteen liitin
12	Virtakytkin	13	Akkupaketti
14	Lämpötilan tunnistin	15	Maadoituksen tunnistinelementti

TOIMINTOJEN KUVAUS

▲HUOMIO: Varmista aina ennen säätöjä ja tarkastuksia, että laite on sammutettu ja akkupaketti irrotettu.

Akun asentaminen tai irrottaminen

▲HUOMIO: Sammuta laite aina ennen akkupaketin kiinnittämistä tai irrottamista.

▲HUOMIO: Pidä laitteesta ja akkupaketista tiukasti kiinni, kun irrotat tai kiinnität akkupakettia. Jos akkupaketti tai laite putoaa käsistäsi, ne voivat vaurioitua tai aiheuttaa loukkaantumisen.

Irrota akkupaketti painamalla akun etupuolella olevaa painiketta ja liu'uttamalla akku ulos laitteesta.

Akkupaketti asennetaan paikalleen sovittamalla akkupaketin kieleke rungon uraan ja työntämällä se sitten paikoilleen. Työnnä akkupaketti pohjaan asti niin, että kuulet sen napsahdavan paikoilleen. Jos painikkeen yläpuolella näkyy punainen ilmaisin, akkupaketti ei ole lukkiutunut täysin paikoilleen.

► **Kuva3:** 1. Punainen ilmaisin 2. Painike
3. Akkupaketti

▲HUOMIO: Työnnä akkupaketti aina pohjaan asti, niin että punainen ilmaisin ei enää näy. Jos akkupaketti ei ole kunnolla paikallaan, se voi pudota työkalusta ja aiheuttaa vammoja joko sinulle tai sivullisille.

▲HUOMIO: Älä käytä voimaa akun asennuksessa. Jos akku ei liu'u paikalleen helposti, se on väärässä asennossa.

HUOMAA: Akkupaketteja voidaan asentaa kaksi, joskin laite käyttää toimiessaan yhtä akkupakettia.

Akun jäljellä olevan varaustason ilmaisin

Painamalla tarkistuspainiketta saat näkyviin akun jäljellä olevan varauksen. Merkkivalot palavat muutamnan sekunnin ajan.

► **Kuva4:** 1. Merkkivalot 2. Tarkistuspainike

Merkkivalot			Akussa jäljellä olevan varaus
Palaa	Pois päältä	Viikkuu	
■ ■ ■ ■	□ □ □ □	▧ □ □ □	75% - 100%
■ ■ ■ □	□ □ □ □	▧ □ □ □	50% - 75%
■ ■ □ □	□ □ □ □	▧ □ □ □	25% - 50%
■ □ □ □	□ □ □ □	▧ □ □ □	0% - 25%
▧ □ □ □	□ □ □ □	□ □ □ □	Lataa akku.
■ ■ □ □	□ □ □ □	▧ □ □ □	Akussa on saattanut olla toimintahäiriö.
□ □ □ □	■ ■ ■ ■	▧ □ □ □	

HUOMAA: Ilmoitettu varaustaso voi erota hieman todellisesta varaustasosta sen mukaan, millaisissa oloissa ja missä lämpötilassa laitetta käytetään.

HUOMAA: Ensimmäinen (vasemmanpuoleisin) merkkivalo vilkkuu, kun akun suojausjärjestelmä on toiminnassa.

Laitteen/akun suojausjärjestelmä

Laite ja akku on varustettu suojausjärjestelmällä. Tämä järjestelmä pidentää laitteen ja akun käyttöikää katkaisemalla moottorin virran automaattisesti. Laite pysähtyy automaattisesti kesken käytön, jos laitteessa tai akussa ilmenee jokin seuraavista tilanteista.

- Yliuormitusuoja: Kun laitetta tai akkua käytetään tavalla, jossa virrankulutus on epänormaalin suuri, laite pysähtyy automaattisesti ilmoittamatta tästä. Katkaise tässä tilanteessa laitteesta virta ja lopeta yliuormitustilan aiheuttanut käyttö. Käynnistä sitten laite uudelleen kytkemällä siihen virta.
- Ylikuumenemissuoja: Laite pysähtyy automaattisesti, jos laite tai akku ylikuumenee. Anna laitteen jäähtyä, ennen kuin kytket sen uudelleen päälle.
- Ylipurkausmissuoja: Kun akku varaus käy vähiin, laite pysähtyy automaattisesti. Jos laite ei toimi, vaikka kytkimiä käytetään, irrota tyhjentyneet akkupaketti laitteesta ja lataa akku.

Suojaus muilta haitallisilta tapahtumilta

Suojausjärjestelmä on suunniteltu suojaamaan laite myös muilta tapahtumilta, jotka voisivat vahingoittaa laitetta, ja pysäyttämään laite automaattisesti tällaisissa tapauksissa. Kun laite tai sen toiminta on pysähtynyt tilapäisesti, poista pysäytyksen syyt seuraavien vaiheiden mukaisesti.

1. Käynnistä laite uudelleen sammuttamalla se ja kytkemällä se sitten uudelleen päälle.
2. Lataa akut tai vaihda ne ladattuihin akkuihin.
3. Anna laitteen ja akkujen jäähtyä.

Jos suojausjärjestelmän nollaaminen ei korjaa tilannetta, ota yhteys paikalliseen Makita-huoltoon.

Laitteen käyttö johdollisen virtälähteen kanssa

Lue johdollisen virtälähteen käyttöohjeet ja tutustu siinä oleviin varoitusmerkkintöihin ennen sen käyttämistä.

VAROITUS: Kun käytät laitetta johdollisen virtälähteen kanssa, aseta johdollinen virtälähde tasaiselle pinnalle. Tämä laite on tarkoitettu käytettäväksi paikallaan. Selässä kannettavan johdollisen virtälähteen käyttäminen voi johtaa kaatumis- ja vaurioitumiseen.

TYÖSKENTELY

Valmistelu

Teه seuraavat toimet, kun käytät laitetta ensimmäisen kerran tai pitkän varastointijakson jälkeen.

1. Poista kaikki pakkausmateriaalit laitteesta.
2. Puhdista vedenkeittimen ja suodattimen sisäosat. Niihin voi olla kertynyt likaa tai pölyä.

Katso puhdistusohjeet luvusta "KUNNOSSAPITO".

Veden keittäminen

HUOMIO: Keitä vain vettä. Älä keitä muuta kuin vettä.

HUOMIO: Älä sijoita laitetta epävakaalle alustalle tai paikkaan, jossa kulkee paljon ihmisiä tai johon lapset voivat päästä käsiksi. Muutoin laite voi kaatua vahingossa ja aiheuttaa vammoja.

HUOMIO: Kun suljet kannen, paina kansi pitävästi kiinni ja aseta vuotolukon painike lukit- tuun asentoon. Muutoin kaatumis- ja vaurioitumisen seurauksena voi olla palovamma.

1. Avaa kansi painamalla kumpaakin kannen avauspainiketta.
2. Kaada vedenkeittimeen haluamasi määrä tuoretta haaleaa vettä. Sulje sitten kansi.

HUOMIO: Varmista, että vuotolukon painike on lukitussa asennossa. Muutoin kiehuvaa vettä voi roiskua ulos tahattomasti ja aiheuttaa palovammoja.

HUOMIO: Älä täytä vettä maksimimääräviivan yli. Muutoin kiehuvaa vettä voi roiskua ulos ja aiheuttaa palovammoja.

ILMOITUS: Vältä vedetöntä palamista. Älä kytke laitetta päälle, kun siinä ei ole vettä. Muutoin seurauksena voi olla värin muutoksia ja toimintahäiriö.

► Kuva5

3. Aseta vedenkeitin virtälähdejälustaan.

► Kuva6

4. Paina virtakytkintä.

Virtakytkin palaa oranssina, yksittäinen äänimerkki kuuluu ja keittäminen alkaa.

► Kuva7: 1. Virtakytkin

HUOMIO: Varmista, että kansi on suljettu. Muuten voi purkautua paljon höyryä, mikä voi aiheuttaa palovammoja.

HUOMIO: Varmista, että vuotolukon painike on lukitussa asennossa. Muuten voi purkautua paljon höyryä, mikä voi aiheuttaa palovammoja.

HUOMIO: Älä kosketa höyryä. Palovamman vaara.

► Kuva8

HUOMIO: Älä kosketa merkin ympäristöä tai kuvaan merkittyä metalliosaa keittämisen aikana ja hetken sen jälkeen. Palovamman vaara.

► Kuva9: 1. Metalliosa saattaa olla erittäin kuuma

HUOMAUTUS: Jos painat virtakytkintä heti keittämisen jälkeen, laite ei ehkä toimi, koska siinä on suojaus korkean lämpötilan varalta. Jos näin käy, paina virtakytkintä uudelleen vasta, kun olet antanut laitteen jäähtyä.

Kun vesi on kiehunut, laite sammuu automaattisesti ja muutaman sekunnin pituinen äänimerkki kuuluu.

HUOMAUTUS: Jos nostat vedenkeitintä tai virtälähdejälustaa keittämisen aikana, laite lopettaa keittämisen ja virtakytkin alkaa vilkkua oranssina.

— Jos palautat vedenkeittimen tai virtälähdejälustan paikalleen virtakytkimen vilkkuessa, laite jatkaa keittämistä automaattisesti.

— Laite sammuu muutaman sekunnin kuluttua vedenkeittimen tai virtälähdejälustan nostamisesta.

HUOMAUTUS: Jos akkukapasiteetti laskee vähäiseksi keittämisen aikana, laite sammuu. Virtakytkimen vilkkuu punaisena muutaman sekunnin ajan ja kuuluu kolme äänimerkkiä.

HUOMAA: Jos laitetta päälle kytkettäessä akkujen varaus on vähissä, laite sammuu muutamassa sekunnissa ja antaa yhden äänimerkin.

5. Nosta vedenkeitin irti pitämällä samalla kiinni virtälähdejälustan kantokahvasta.

► Kuva10

6. Kaada vettä.

HUOMIO: Varo polttamasta itseäsi kiehunutta vettä kaataessasi.

Laitteessa on vuotolukon painike tahattomien vesivuotojen estämistä varten. Paina vuotolukon painiketta, kun haluat kaataa vettä.

► Kuva11

Kantaminen

VAROITUS: Älä kannaa vedenkeitintä virtälähdejälustassa, kun keität vettä tai kun vedenkeittimessä on kiehunutta vettä. Muutoin kaatumis- ja vaurioitumisen seurauksena voi olla palovamma.

Kanna laitetta kantokahvasta.

KUNNOSSAPITO

VAROITUS: Kaikki osien vaihdot on tehtävä valtuutetulla korjaajalla.

HUOMIO: Varmista aina ennen tarkastusta tai huoltoa, että laite on sammutettu ja akkupaketti irrotettu.

HUOMIO: Älä koske keittimeen heti kiehuvan veden poistamisen jälkeen. Odota, kunnes keitin on kokonaan jäähtynyt. Muuten voi aiheutua palovammoja.

HUOMIO: Varmista aina ennen tarkastuksia tai huoltotoita, että vedenkeitin on tyhjä. Muuten seurauksena voi olla onnettomuuksia.

► Kuva12

HUOMAUTUS: Älä koskaan käytä bensiiniä, ohenteita, alkoholia tai tms. aineita. Muutoin pinta voi halkeilla tai sen värit ja muoto voivat muuttua. Muutoin laitteeseen voi tulla värjäytymiä, muodon vääristymiä tai halkeamia.

HUOMAUTUS: Älä käytä astianpesukonetta, kuivauskaappia tai hiustenkuivainta.

HUOMAUTUS: Älä käytä kiillotusjauheita, valkaisuaineita, puhdistusaineita, metalliharjoja, kemikaaliharjoja jne.

HUOMAUTUS: Älä pese vedenkeitintä tai virtalähdejälustaa. Älä kastele virtalähteen liitintä.

► Kuva13

Tuotteen TURVALLISUUDEN ja LUOTETTAVUUDEN takaamiseksi korjaukset, muut huoltotyöt ja säädöt on teetettävä Makitan valtuutetussa huoltopisteessä Makitan varaosia käyttäen.

Puhdistus

Laitteen ulkopinnat

Kun laite on jäähtynyt, puhdista laitteen ulkopinnat puhtailla liinoilla.

Jos laite on erittäin likainen, käytä saippuaveteen kostutettua liinaa. Pyyhi sitten vesi pois kuivalla liinalla.

► Kuva14

Vedenkeittimen sisäosat

Irrota kansi vetämällä se ulos vedenkeittimestä kuvan mukaisesti.

► Kuva15

Huuhtelee huolellisesti vedellä ja kuivaa sitten sisältä.

Suodatin

Irrota suodatin vetämällä se ulos kannesta kuvan mukaisesti.

Pese suodatin ja kuivaa se sitten.

► Kuva16: 1. Suodatin

Asenna suodatin ja kansi paikoilleen noudattamalla irrotusohjeita päinvastaisessa järjestyksessä.

Pinttymien poistaminen vedenkeittimen sisältä

Laitteen käytön aikana vedenkeittimen sisälle kertyy vesipinttymiä. Vesipinttymät heikentävät keittotehoa. Jos vesipinttyymää kertyy huomattavasti, puhdista vedenkeittimen sisäosat sitruunahapolla.

1. Avaa kansi ja irrota suodatin kannesta.

2. Kaada vedenkeittimeen vettä maksimimäärävii-vaan asti.

3. Lisää veteen 40 g (1,4 oz) yleisessä myynnissä olevaa sitruunahappoa ja sekoita. Sulje sitten kansi.

4. Aseta vedenkeitin virtalähdejalustaan.

5. Paina virtakytkintä.

6. Anna vedenkeittimen seistä noin 1 tunti veden kiehtua.

7. Kaada vesi pois ja huuhtelee vedenkeitin sisäpuolelta vedellä.

8. Jos maistat tai haistat sitruunahapon, keitä pelkkää vettä ja huuhtelee se pois.

Jos lika on pinttynyt, toista vaiheet 2–7.

9. Kuivaa vedenkeitin ja asenna suodatin kanteen.

Varastoiminen

Anna laitteen jäähtyä kokonaan ennen sen varastointia, jotta se ei aiheuta syttymis- tai tulipalovaaraa. Älä pidä purkautunutta akkua varastoituna pitkään, sillä se saattaa lyhentää akun käyttöikä.

VIANMÄÄRITYS

Tarkista kone ensin itse, ennen kuin viet sen korjattavaksi. Jos havaitset ongelman, johon ei löydy ratkaisua ohjeista, älä yritä purkaa konetta. Vie se sen sijaan valtuutettuun Makita-huoltoon. Käytä korjaamiseen aina alkuperäisiä Makita-varaosia.

Oire	Todennäköinen syy	Korjaus
Ei toimi.	Akkupaketit on asennettu väärin.	Asenna akkupaketit tämän käyttöohjeen ohjeiden mukaan.
	Akkupaketit ovat tyhjentyneet.	Lataa akkupaketit.
Laitte kytkeytyy pois ja antaa äänimerkin pian päälle kytkemisen jälkeen.	Lämpötilan tunnistin havaitsee korkean lämpötilan, koska virtakytkintä on painettu pian veden kiehumisen jälkeen.	Anna laitteen jäähtyä antamalla sen olla pois päältä muutama minuutti.
Laitte kytkeytyy pois ja virtakytkin vilkkuu oranssina pian päälle kytkemisen jälkeen.	Lämpötilan tunnistimen liitin on likaantunut.	Pyyhi lika lämpötilan tunnistimesta kuivalla liinalla.
	Virtalähdejalusta on kallellaan tai epätasaisella alustalla.	Sijoita laite vakaalle, suoralle ja tasaiselle alustalle.
Vaikka keittäminen ei ole päättynyt, laite kytkeytyy pois ja antaa äänimerkin muutaman sekunnin kuluttua aivan kuin vesi olisi keitetty.	Lämpötilan tunnistimen liitin on likaantunut.	Pyyhi lika lämpötilan tunnistimesta kuivalla liinalla.
	Vedenkeitin ei ole oikeassa asennossa virtalähdejalustalla, koska vedenkeitimen ja jalustan välissä on pölyä tai vastaavaa.	Poista pöly vedenkeitimen pohjasta tai virtalähdejalustasta.
Virtakytkin ei lopeta punaisena vilkkumista. (Ja virtakytkin sammuu noin 10 minuuttia tämän jälkeen.)	Virtalähteen liitin vedenkeitimessä ja/tai virtalähdejalustassa on likaantunut.	Irota akku ja pyyhi lika virtalähteen liittimestä kuivalla liinalla.
Kiehuva vettä roiskuu ulos.	Vesi ulottuu maksimimääräviivan yläpuolelle.	Kaada vettä pois niin, että vedenpinta on maksimimääräviivan alapuolella.
	Vedenkeitin on täytetty jollakin muulla nesteellä kuin vedellä.	Älä keitä mitään muuta kuin vettä.
Kiehunut vesi haisee.	Vesijohtoveden kloori voi haista.	
	Pakkauksesta poistamisen jälkeen tuleva pihkan haju heikkenee ajan myötä.	
Virtalähdejalustalla on vesipisaroiita.	Laitteeseen voi kondensoitua kosteutta kieuvan veden höyrystä.	
Kiehunut vesi vuotaa, kun vedenkeitintä kalliistetaan.	Nokassa on reikä. Vaikka kannen avauspainike on lukitussa asennossa, siitä vuotaa vettä, kun vedenkeitintä kalliistetaan.	

LISÄVARUSTEET

⚠HUOMIO: Seuraavia lisävarusteita tai laitteita suositellaan käytettäväksi tässä ohjeessa kuvattun Makita-laitteen kanssa. Muiden lisävarusteiden tai laitteiden käyttö voi aiheuttaa henkilövahinkoja. Käytä lisävarusteita ja -laitteita vain niiden käyttötarcoituksen mukaisesti.

Jos tarvitset apua tai yksityiskohtaisempia tietoja seuraavista lisävarusteista, ota yhteys paikalliseen Makitan huoltoon.

- Aito Makita-akku ja Makitan valtuuttama laturi

HUOMAA: Jotkin luettelossa mainitut varusteet voivat sisältyä työkalun toimitukseen vakiovarusteina. Ne voivat vaihdella maittain.

ADVARSEL

- For brugere i Europa:
Dette apparat kan bruges af børn fra 8 år og derover, hvis de har været under opsyn eller er blevet instrueret i brugen af apparatet på en sikker måde, og hvis de forstår de involverede farer. Rengøring og brugervedligeholdelse må ikke udføres af børn, medmindre de er over 8 år og under opsyn. Hold apparatet og dets ledning utilgængeligt for børn under 8 år. Apparater kan bruges af personer med nedsatte fysiske, sensoriske eller mentale evner eller manglende erfaring og viden, hvis de er under opsyn eller er blevet instrueret i brugen af apparatet på en sikker måde og forstår de involverede farer. Børn må ikke lege med apparatet.
- For brugere i andre områder end Europa:
Dette apparat er ikke beregnet til brug af personer (herunder børn) med nedsatte fysiske, sensoriske eller mentale evner eller manglende erfaring og viden, medmindre de er under opsyn eller er blevet instrueret i brugen af apparatet af en person, der er ansvarlig for deres sikkerhed. Børn skal være under opsyn for at sikre, at de ikke leger med apparatet.
- Se kapitlet "VEDLIGEHOLDELSE" for de relevante oplysninger om forholdsregler under brugervedligeholdelse.
- Se kapitlet "SPECIFIKATIONER" for batteriets typereference.
- Se afsnittet "Isætning eller fjernelse af akkuen" for at få oplysninger om, hvordan du afmonterer eller monterer batteriet.
- Når du bortskaffer akkuen, skal du afmontere den fra maskinen og bortskaffe den på et sikkert sted. Følg dine lokale regler vedrørende bortskaffelse af batterier.
- Hvis maskinen ikke skal bruges i længere tid, skal batteriet afmonteres fra maskinen.
- Akkuen må ikke kortslyttes.
- Dette apparat er beregnet til brug i husholdninger og lignende anvendelser såsom:
 - personalets køkkenområder i butikker, kontorer og andre arbejdsmiljøer;
 - bondegårde;
 - af kunder på hoteller, moteller og andre boligmiljøer;
 - bed and breakfast-miljøer.
- For at beskytte mod brand og elektrisk stød må apparatet og batteriet ikke nedsænkes i vand eller anden væske.
- Overfyld ikke vand i apparatet. Kogt vand kan blive slynget ud og forårsage forbrændingsskade.
- **ADVARSEL:** Låget må ikke fjernes, mens vandet koger.
- Det er batteridrevet apparat, hvor batteriet oplades uden for apparatet.
- Genopladelige batterier skal afmonteres fra apparatet, inden de oplades.
- Batterier skal indsættes med den korrekte polaritet.
- Udtjente batterier skal afmonteres fra apparatet og bortskaffes på en sikker måde.
- Undgå at spilde væske på strømforsyningsstikkene eller batteriets terminaler.
- Dette apparat er en vandkedel til kogning af vand, og der er risiko for personskade ved forkert brug.

SPECIFIKATIONER

Model:	KT001G
Nominal spænding	D.C. 36 V - 40 V maks.
Kapacitet	0,8 L
Dimensioner (L x B x H)	235 x 322 x 307 mm (uden akku)
Nettovægt *1 (Kedlens og strømforsyningsstativets samlede værdi)	2,8 - 5,9 kg (med akkuer)
Nettovægt (Kun kedlen)	1,0 kg
Nettovægt (Kun strømforsyningsstativet)	1,1 kg (uden akku)
Anslået kogetid *2	ca. 8 min. (ved kogning af 0,8 L 23 °C vand ved omgivende temperatur på 23°C)

*1 Den letteste og tungeste kombinationsvægt for kedlen, strømforsyningsstativet og akkuer er vist i tabellen.

*2 Værdierne kan variere afhængigt af batteritype, opladningsstatus og brugsforhold.

- På grund af vores kontinuerlige forsknings- og udviklingsprogrammer kan hosstående specifikationer blive ændret uden varsel.
- Specifikationer kan variere fra land til land.

Mængde vand, der kan koges

Akku (fuldt opladet)	Mængde vand, der kan koges*
BL4020 x 2	1,1 L
BL4025 x 2	1,2 L
BL4040 x 2	2,2 L
BL4050F x 2	3,0 L
BL4080F x 2	4,9 L
PDC1200	11,4 L

* Ved kogning af 23 °C vand ved omgivende temperatur på 23 °C

BEMÆRK: Mængderne er omtrentlige og kan variere afhængigt af batteritype, opladningsstatus og brugsforhold.

BEMÆRK: Den mængde vand, der kan koges med et batteri, er omkring halvdelen af mængden, når du bruger to batterier.

Anvendelig akku og oplader

Akku	BL4020 / BL4025 / BL4040 / BL4050F / BL4080F
Oplader	DC40RA / DC40RB / DC40RC

- Nogle af de akkuer og opladere, der er angivet ovenfor, er muligvis ikke tilgængelige, afhængigt af hvilket område du bor i.

⚠ ADVARSEL: Brug kun de akkuer og opladere, der er angivet ovenfor. Brug af andre akkuer og opladere kan medføre personskaade og/eller brand.

Anbefalet ledningstilsluttet strømforsyningskilde

Bærbar strømforsyning	PDC1200
-----------------------	---------

- Den eller de ledningstilsluttede batteripakker, der er angivet ovenfor, er muligvis ikke tilgængelige, afhængigt af dit bopælsområde.
- Inden du bruger den ledningstilsluttede batteripakke, skal du læse instruktionerne og advarselsmarkeringerne på dem.

Symboler

Følgende viser de symboler, der muligvis anvendes til udstyret. Sørg for, at du forstår deres betydning før brugen.



Læs betjeningsvejledningen.



Advarsel: Varm overflade. Risiko for forbrændinger. Rør ikke ved den, før den er afkølet.



Et repræsentativt batteri, der kan anvendes til dette produkt.



Kun for lande inden for EU
På grund af tilstedeværelsen af farlige komponenter i udstyret kan affald af elektrisk og elektronisk udstyr, akkumulatører og batterier have en negativ indvirkning på miljøet og folkesundheden.
Bortskaf ikke elektriske og elektroniske apparater eller batterier sammen med husholdningsaffald!
I overensstemmelse med EF-direktiv om affaldshåndtering af elektrisk og elektronisk udstyr og om akkumulatører og batterier og affaldsakkumulatører og -batterier, og i overensstemmelse med national lovgivning, skal brugt elektrisk udstyr, batterier og akkumulatører opbevares separat og leveres til et separat indsamlingssted for kommunalt affald, der er etableret i henhold til bestemmelserne om miljøbeskyttelse. Dette er angivet ved symbolet på den krydsede skraldespand, der er placeret på udstyret.



Kun for landene i EU
Korrekt bortskaffelse af dette produkt
Denne mærkning angiver, at dette produkt ikke skal bortskaffes sammen med andet husholdningsaffald inden for EU. For at forhindre skader på miljøet eller menneskers helbred pga. ukontrolleret bortskaffelse af affald skal du ansvarligt aflevere det til genbrug og fremme bæredygtig genanvendelse af materielle ressourcer. For at returnere din brugte enhed skal du anvende returnerings- og indsamlingsordningerne, eller kontakte den forhandler hvorfra produktet blev anskaffet. De kan modtage dette produkt til miljømæssig sikker genanvendelse.
Brugt elektrisk og elektronisk udstyr kan have en negativ indvirkning på miljøet og folkesundheden på grund af tilstedeværelsen af farlige komponenter i udstyret.

Tilsigtet anvendelse

Apparatet er beregnet til kogning af vand.

SIKKERHEDSADVARSLER

Sikkerhedsadvarsler for ledningsfri elkedel

ADVARSEL: VIGTIGT! LÆS OMHYGGELIGT alle sikkerhedsadvarsler og alle instruktioner FØR BRUGEN. Hvis advarslerne og instruktionerne ikke overholdes, kan det medføre elektrisk stød, brand og/eller alvorlig personskade.

1. **Brug ikke tilbehør, der ikke anbefales af producenten.** Ellers kan der opstå uventede problemer.
2. **Rør ikke ved varme overflader.** Overflader kan blive varme under brug.
3. **Undlad at bruge apparatet i nærheden af eksplosiv atmosfære.** Ellers kan der opstå forbrændinger eller brand.
4. **Brug ikke apparatet i nærheden af varmekilder (komfurer og lignende).**
5. **Undlad at bruge apparatet på fugtige eller våde steder, og undlad at udsætte det for regn.** Ellers kan der trænge vand ind i apparatet, og der kan opstå elektrisk stød.
6. **Sæt apparatet på en plan, stabil overflade.**
7. **Tuden må ikke tildækkes under kogning.** Damp kan ikke udledes og kan forårsage funktionsfejl eller personskade.
8. **Lad apparatet køle af, før det rengøres.** Ellers kan der opstå forbrændingsskader.
9. **Pas på ikke at lægge et apparat ned, der indeholder vand.** Udløbslåsen tætnet ikke vandet helt. Vandet kan udledes, selvom udløbslåsen er aktiveret.
10. **Placer apparatet, så vægge og møbler ikke udsættes for damp.** Ellers kan der opstå misfarvning, deformation eller revner.
11. **Kog kun vand. Ud over vand må der ikke koges mælk, te eller suppe osv.** Ellers kan indholdet blive slynget ud og forårsage personskade, eller apparatet kan blive snavset, eller der kan opstå funktionsfejl.
12. **Ud over vand må der ikke anbringes andre genstande, som f.eks. en flaske eller kop osv. i kedlen** Ellers kan vandet blive slynget ud og forårsage personskade, eller apparatet kan blive snavset, eller der kan opstå funktionsfejl.
13. **Undlad at åbne låget umiddelbart efter kogning.** Ellers kan kogt vand dryppe og forårsage forbrændingsskade.

ADVARSEL: LAD IKKE bekvemmelighed eller kendskab til produktet (opnået gennem gentagen brug) forhindre, at sikkerhedsforskrifterne for produktet nøje overholdes. MISBRUG eller forsømmelse af at følge de i denne brugsvejledning givne sikkerhedsforskrifter kan føre til, at De kommer alvorligt til skade.

Sikkerhedsadvarsler for batteridrevet apparat

Brug og vedligeholdelse af batteridrevne apparater

1. **Undgå utilsigtet start. Sørg for, at kontakten er i slukket position, før du tilslutter til batteripakken, samler apparatet op eller bærer det.** Hvis du bærer apparatet med fingeren på kontakten, eller sætter strøm til apparatet, mens kontakten er slået til, kan der ske uheld.
2. **Frakobl batteripakken fra apparatet, før du foretager justeringer, skifter tilbehør eller opbevarer apparatet.** Sådanne forebyggende sikkerhedsforanstaltninger reducerer risikoen for utilsigtet start af apparatet.
3. **Oplad kun med den oplader, som producenten angiver.** En oplader, der passer til én type batteri, kan forårsage brand, hvis den anvendes med et andet batteri.
4. **Brug kun apparater med specifikt udpegede batteripakker.** Brug af andre batteripakker kan medføre risiko for personskade og brand.
5. **Når batteripakker ikke anvendes, skal de holdes borte fra andre metalgenstande som papirclips, mønter, nøgler, søm, skruer og andre små metalgenstande, der kan skabe forbindelse mellem terminalerne.** Hvis batteriets terminaler kortsluttes, kan det forårsage brand.
6. **I tilfælde af misbrug kan der sprøjte væske ud fra batteriet. Undgå kontakt. Skyl med vand, hvis De kommer i kontakt med væsken. Søg læge, hvis De får væske i øjet.** Væske, der sprøjter ud fra batteriet, kan medføre irritation eller forbrændinger.
7. **Undlad at bruge en batteripakke eller et apparat, der er beskadiget eller ændret.** Beskadigede eller ændrede batterier kan udvise uforudsigelig adfærd, der resulterer i brand, eksplosion eller risiko for personskade.
8. **Undlad at udsætte en batteripakke eller et apparat for ild eller for høj temperatur.** Eksponering for brand eller temperaturer over 130 °C kan forårsage eksplosion.
9. **Følg alle opladningsinstruktioner, og oplad ikke batteripakken eller apparatet uden for det temperaturområde, der er angivet i instruktionerne.** Forkert opladning eller ved temperaturer uden for det angivne område kan beskadige batteriet og øge risikoen for brand.
10. **Få service udført af en kvalificeret reparatør kun ved brug identiske reservedele.** Dette vil sikre, at produktets sikkerhed opretholdes.
11. **Undlad at ændre eller forsøge at reparere apparatet eller batteripakken, undtagen som angivet i instruktionerne for brug og vedligeholdelse.**

Vigtige sikkerhedsinstruktioner for akkuen

1. **Læs alle instruktioner og advarselmærkater på (1) akku-opladeren, (2) akkuen og (3) produktet, som anvender akku.**
2. **Undlad at adskille eller ændre akkuen.** Det kan resultere i brand, overdreven varme eller eksplosion.
3. **Hold straks op med anvendelsen, hvis brugstiden er blevet stærkt afkortet.** Fortsat anvendelse kan resultere i risiko for overophedning, forbrændinger og endog eksplosion.
4. **Hvis De har fået elektrolytvæske i øjnene, skal De straks skylle den ud med rent vand og derefter øjeblikkeligt søge lægehjælp.** I modsat fald kan De miste synet.
5. **Vær påpasselig med ikke at komme til at kortslutte akkuen:**
 - (1) **Rør ikke ved terminalerne med noget ledende materiale.**
 - (2) **Undgå at opbevare akkuen i en beholder sammen med andre genstande af metal, for eksempel søm, mønter og lignende.**
 - (3) **Udsæt ikke akkuen for vand eller regn.** Kortslutning af akkuen kan forårsage en kraftig øgning af strømmen, overophedning, mulige forbrændinger og endog værktøjstop.
6. **Apparatet og akkuen må ikke opbevares og bruges på steder, hvor temperaturen kan nå eller overstige 50 °C (122 °F).**
7. **Undlad at brænde akkuen, selv om ikke selv om den er alvorligt beskadiget eller helt slidt.** Akkuen kan eksplodere i en brand.
8. **Undlad at slå søm i, skære, knuse, tabe eller kaste akkuen, eller slå en hård genstand mod akkuen.** En sådan adfærd kan resultere i brand, overdreven varme eller eksplosion.
9. **Anvend ikke en beskadiget akku.**
10. **De indbyggede lithium-ion-batterier er underlagt lovkrav vedrørende farligt gods.** Ved kommerciel transport, f.eks. af tredjeparts transportselskaber, skal særlige krav til forpakning og mærkning overholdes. Ved forberedelse af udstyret til forsendelse skal du kontakte en ekspert i farligt gods. Overhold også eventuel mere detaljeret national lovgivning. Tape eller tildæk åbne kontakter, og pak batteriet på en måde, så det ikke kan flytte sig rundt i pakningen.
11. **Når du bortskaffer akkuen, skal du afmontere den fra apparatet og bortskaffe den på et sikker sted. Følg de lokale bestemmelser vedrørende bortskaffelse af batterier.**
12. **Brug kun batterierne med de produkter, som Makita specificerer.** Hvis batterierne installeres i ikke-kompatible produkter, kan det medføre brand, kraftig varme, eksplosion eller udsivning af elektrolyt.
13. **Hvis apparatet ikke skal bruges i længere tid, skal batteriet afmonteres af apparatet.**
14. **Under og efter brug kan akkuen være varm, som kan forårsage forbrændinger eller forbrændinger ved lave temperaturer. Vær opmærksom på håndteringen af varme akkuer.**

15. Undlad at røre ved apparatets terminal umiddelbart efter brug, da den kan blive varm nok til at forårsage forbrændinger.
16. Undlad at lade spåner, støv eller jord sætte sig fast i akkuens terminaler, huller og riller. Det kan medføre dårlig ydeevne eller beskadigelse af apparatet eller akkuen.
17. Medmindre apparatet understøtter brugen i nærheden af højspændingsledninger, må akkuen ikke bruges i nærheden af højspændingsledninger. Det kan resultere i funktionsfejl eller nedbrud af apparatet eller akkuen.
18. Opbevar batteriet utilgængeligt for børn.

GEM DENNE BRUGSANVISNING.

⚠FORSIGTIG: Brug kun originale batterier fra Makita. Brug af uoriginale Makita-batterier eller batterier, der er blevet ændret, kan resultere i, at batteriet sprænger og forårsager brand, personskade og beskadigelse. Det vil også annullere Makita-garantien for Makita-apparatet og -opladeren.

Tips til opnåelse af maksimal akku-levetid

1. Oplad akkuen, inden den er helt afladet. Stop altid apparatets drift, og oplad akkuen, når du bemærker mindre strøm på apparatet.
2. Genoplad aldrig en fuldt opladet akku. Overopladning vil afkorte akkuens levetid.
3. Oplad akkuen ved stuetemperatur ved 10 °C - 40 °C. Lad altid en varm akku få tid til at køle af, inden den oplades.
4. Når du ikke bruger akkuen, skal du afmontere den fra apparatet eller opladeren.
5. Oplad akkuen, hvis De ikke skal bruge den i længere tid (mere end seks måneder).

BESKRIVELSE AF DELENE

Kedel

► Fig.1

1	Tud	2	Låg
3	Udløbslåseknap	4	Knappen Åbn Låg
5	Håndtag	6	Maksimal linje
7	Vandmængdeskala	8	Strømforsyningsstik (underside)
9	Temperaturløser	-	-

Strømforsyningsstativ

► Fig.2

10	Bærehåndtag	11	Strømforsyningsstik
12	Afbryder	13	Akku
14	Temperaturløser	15	Jordfølelement

FUNKTIONSBESKRIVELSE

⚠FORSIGTIG: Sørg altid for, at apparatet er slukket, og at akkuen fjernes, før der udføres justering eller kontrol af funktioner på apparatet.

Isætning eller fjernelse af akkuen

⚠FORSIGTIG: Sluk altid for apparatet før montering eller afmontering af akkuen.

⚠FORSIGTIG: Hold apparatet og akkuen fast ved montering eller afmontering af akkuen. Hvis du ikke holder fast i apparatet og akkuen, kan de glide ud af hænderne på dig og medføre beskadigelse af apparatet og akkuen eller personskade.

Akkuen fjernes ved, at den trækkes ud af apparatet, idet der skydes på knappen på forsiden af akkuen.

Akkuen monteres ved, at De sætter tungen på akkuen ud for noten i kabinettet og lader den glide på plads. Sæt den hele vejen ind, så den låses på plads med et lille klik. Hvis den røde indikator på oversiden af knappen er synlig, betyder det, at den ikke er tilstrækkeligt låst.

► Fig.3: 1. Rød indikator 2. Knap 3. Akku

⚠FORSIGTIG: Monter altid akkuen helt, indtil den røde indikator ikke længere er synlig. Hvis dette ikke gøres, kan den falde ud af værktøjet ved et uheld, hvorved De selv eller personer i nærheden kan komme til skade.

⚠FORSIGTIG: Brug ikke magt ved montering af akkuen. Hvis akkuen ikke glider på plads uden problemer, betyder det, at den ikke sættes i på korrekt vis.

BEMÆRK: Der kan monteres op til to akkuer, selvom apparatet kun bruger én akku til drift.

Indikation af den resterende batteriladning

Tryk på kontrolknappen på akkuen for at få vist den resterende batteriladning. Indikatorlampen lyser i nogle sekunder.

► Fig.4: 1. Indikatorlamper 2. Kontrolknap

Indikatorlamper			Resterende ladning
Tændt	Slukket	Blinker	
■	□	▬	
■ ■ ■	■ ■ ■	■ ■ ■	75% til 100%
■ ■ ■	■ ■ ■	□	50% til 75%
■ ■ ■	□	□	25% til 50%
■ ■ ■	□	□	0% til 25%
▬	□	□	Genoplad batteriet.
■ ■ ■	□	□	Der er muligvis fejl i batteriet.
□	□	■ ■ ■	

BEMÆRK: Afhængigt af brugsforholdene og den omgivende temperatur kan indikationen afvige en smule fra den faktiske ladning.

BEMÆRK: Den første indikatorlampe (længst mod venstre) vil blinke, når batteribeskyttelsessystemet aktiveres.

Beskyttelsessystem til apparatet og batteriet

Apparatet og batteriet er udstyret med beskyttelsessystemet. Dette system afbryder automatisk strømmen til motoren for at forlænge apparatets og batteriets levetid. Apparatet stopper automatisk under anvendelse, hvis apparatet eller batteriet udsættes for et af følgende forhold.

- Overlastningsbeskyttelse: Når apparatet eller batteriet betjenes på en måde, der får det til at bruge unormalt meget strøm, stopper apparatet automatisk uden nogen indikation. I denne situation skal du slukke for apparatet og stoppe den anvendelse, der var årsag til at apparatet blev overbelastet. Tænd derefter for apparatet for at starte det igen.
- Overophedningssikring: Når apparatet eller batteriet er overophedet, stopper apparatet automatisk. Lad apparatet køle af, inden du tænder det igen.
- Overafloadningsbeskyttelse: Når batteriladningen bliver for lav, stopper apparatet automatisk. Hvis apparatet ikke fungerer, selvom kontakterne betjenes, skal akkuen fjernes fra apparatet og oplades.

Beskyttelse mod andre årsager

Beskyttelsessystemet er også designet til andre årsager, der kan beskadige apparatet og gør det muligt for apparatet at stoppe automatisk. Træf alle følgende foranstaltninger for at fjerne årsagerne, når apparatet er blevet midlertidigt standset eller stoppet i anvendelse.

1. Sluk for apparatet, og tænd det derefter igen for at genstarte.
2. Oplad batteriet/batterierne, eller udskift det/dem med genopladet/genopladede batteri/batterier.
3. Lad apparatet og batteriet/batterierne køle af.

Hvis der ikke kan findes nogen forbedring ved at genoprette beskyttelsessystemet, skal det lokale Makita-servicecenter kontaktes.

Brug af apparat med ledningstilsluttede strømkilde

Før du bruger den ledningstilsluttede strømkilde, skal du læse instruktionerne og advarselmarkeringerne på den.

⚠ ADVARSEL: Når du bruger apparatet med den ledningstilsluttede strømkilde, skal du sætte den ledningstilsluttede strømkilde på den stabile overflade. Dette apparat bruges i statisk position. Brug af den ledningstilsluttede strømkilde, som du bærer på ryggen, kan forårsage en faldulykke.

ANVENDELSE

Forberedelse

Når du bruger apparatet for første gang eller efter lang tids opbevaring, skal du udføre følgende trin.

1. Fjern alt emballagemateriale fra apparatet.
2. Rengør kedlen og filteret indvendigt. Der kan være snavs såsom støv på dem.

Se kapitlet "VEDLIGEHOLDELSE" for rengøring.

Kogning af vand

⚠ FORSIGTIG: Kog kun vand. Undlad at koge andet end vand.

⚠ FORSIGTIG: Undlad at placere apparatet på et ustabilt sted, et sted, hvor folk ofte passerer, eller et sted, hvor børn kan nå. Ellers kan apparatet væltes ved et uheld og forårsage personskade.

⚠ FORSIGTIG: Når du lukker låget, skal du skubbe låget forsvarligt og sætte udløbslåsekappen i låst position. Ellers kan der opstå forbrændingsskade, når der sker en faldulykke.

1. Åbn låget, mens du trykker på begge knapperne. Åbn låg.
2. Hæld den foretrukne mængde frisk lunkent vand i kedlen. Luk derefter låget.

⚠ FORSIGTIG: Sørg for, at udløbslåsekappen er i låst position. Ellers kan kogt vand spildes utilsigtet og forårsage forbrændingsskade.

⚠ FORSIGTIG: Påfyld ikke for meget vand ud over den maksimale linje. Ellers kan kogt vand blive slynget ud og forårsage forbrændingsskade.

BEMÆRKNING: Undgå forbrænding uden vand, og tænd ikke apparatet uden vand. Ellers kan der forekomme misfarvning eller fejlfunktion.

► Fig.5

3. Sæt kedlen på strømforsyningsstativet.

► Fig.6

4. Tryk på afbryderen.

Afbryderen lyser orange med en enkelt biplyd, hvorefter kogningen starter.

► Fig.7: 1. Afbryder

⚠ FORSIGTIG: Sørg for, at låget er lukket. Ellers kan der udledes store mængder damp, og der kan opstå forbrændingsskader.

⚠ FORSIGTIG: Sørg for, at udløbslåsekappen er i låst position. Ellers kan der udledes en stor mængde damp, og der kan opstå forbrændingsskader.

⚠ FORSIGTIG: Rør ikke ved dampen. Risiko for forbrændingsskade.

► Fig.8

⚠FORSIGTIG: Rør ikke ved ⚠ mærket og metal- delen, der er placeret i figuren, under kogningen eller et stykke tid efter kogningen. Risiko for forbrændingsskade.

► Fig.9: 1. Metaldele, der kan være ekstremt varme

BEMÆRK: Hvis du trykker på afbryderen lige efter kogning, fungerer apparatet muligvis ikke på grund af beskyttelsen mod høj temperatur. I så fald skal du lade apparatet køle af og derefter trykke på afbryderen igen.

Når kogningen er afsluttet, slukkes apparatet automatisk med et par sekunders bilyde.

BEMÆRK: Når du løfter kedlen eller strømforsyningsstativet under kogning, holder apparatet op med at koge, og afbryderen blinker orange.

— Hvis du sætter kedlen eller strømforsyningsstativet tilbage, mens afbryderen blinker, genstarter apparatet automatisk kogningen.

— Få sekunder efter, at du har løftet kedlen eller strømforsyningsstativet, slukkes apparatet.

BEMÆRK: Når batteriladningen bliver lav under kogning, slukkes apparatet, og afbryderen blinker rødt i et par sekunder med tre bilyde.

BEMÆRK: Hvis du tænder for apparatet, når al batteriladning er lav, slukker apparatet inden for et par sekunder med en enkelt bilyde.

5. Løft kedlen, mens du holder i bærehåndtaget på strømforsyningsstativet.

► Fig.10

6. Hæld vandet.

⚠FORSIGTIG: Pas på ikke at blive brændt, mens du hælder kogt vand.

Udløbslås-knappen er inkluderet for at forhindre utilsigtet udledning af vand. Tryk på udløbslås-knappen for at hælde vandet ud.

► Fig.11

Bæring af apparatet

⚠ADVARSEL: Undlad at bære kedlen med strømforsyningsstativet, mens du opvarmer vand eller med kogende vand i kedlen. Ellers kan der opstå forbrændingsskade, når der sker en faldulykke.

Hold i bærehåndtaget, når du bærer apparatet.

VEDLIGEHOLDELSE

⚠ADVARSEL: Alle dele skal udskiftes hos et autoriseret servicecenter.

⚠FORSIGTIG: Sørg altid for, at apparatet er slukket, stikket er taget ud af stikkontakten og at akkuen er blevet fjernet, før du forsøger at udføre inspektioner eller vedligeholdelse.

⚠FORSIGTIG: Undlad at berøre kedlen umiddelbart efter udtømming af det kogte vand. Vent, indtil kedlen er helt afkølet. Ellers kan der opstå en forbrændingsskade.

⚠FORSIGTIG: Sørg for, at kedlen er tom, før du forsøger at udføre inspektion eller vedligeholdelse. Ellers kan der opstå ulykker.

► Fig.12

BEMÆRKNING: Anvend aldrig benzin, rensebenzin, fortynder, alkohol og lignende. Det kan medføre misfarvning, deformation eller revner.

BEMÆRKNING: Undlad at bruge opvaskemaskinen, opvasketørreren eller hårtørreren.

BEMÆRKNING: Undlad at bruge polerpulver, blegemiddel, rensmiddel, skrubbebørste af metal, kemisk skrubbebørste osv.

BEMÆRKNING: Undlad at vaske kedlen og strømforsyningsstativet. Strømforsyningsstikket må ikke blive vådt.

► Fig.13

For at opretholde produktets SIKKERHED og PÅLIDELIGHED må reparation, vedligeholdelse eller justering kun udføres af et autoriseret Makita servicecenter eller fabrikkens servicecenter med anvendelse af Makita reservedele.

Rengøring

Apparatets ydre

Når apparatet er afkølet, skal apparatet rengøres udvendigt med en ren klud.

Hvis apparatet er meget snavset, skal du bruge en klud fugtet i sæbevand. Tør derefter vandet af med en tør klud.

► Fig.14

Kedlens indre

Afmonter låget ved at trække det ud af kedlen som vist på figuren.

► Fig.15

Skyl grundigt med vand, og aftør derefter indersiden.

Filter

Afmonter filteret ved at trække det ud af låget som vist på figuren. Vask filteret, og tør det derefter.

► Fig.16: 1. Filter

For at montere filteret og låget skal du følge fremgangsmåden for afmontering i omvendt rækkefølge.

Fjernelse af kalk inde i kedlen

Ved brug af apparatet opbygges der kedelsten i kedlen. Kedelsten gør kogningen ineffektiv. Rengør kedlens inderside med citronsyre, hvis der konstateres kedelsten.

1. Åbn låget, og afmonter filteret fra låget.
2. Hæld vand op til den maksimale linje i kedlen.
3. Tilføj 40 g (1,4 oz) citronsyre, der fås i handelen, i vandet, og rør det op. Luk derefter låget.

4. Sæt kedlen på strømforsyningsstativet.
 5. Tryk på afbryderen.
 6. Lad kedlen stå i ca. 1 time efter kogningen er færdig.
 7. Tøm vandet, og skyl indersiden af kedlen med vand.
 8. Hvis du smager eller lugter citronsyre, skal du kun koge vand og tømme det.
- Hvis snavset er svært at fjerne, gentages trin 2 til 7.
9. Tør kedlen, og monter filteret på låget.

Opbevaring

Lad apparatet køle helt af, før du stiller det væk for at forhindre brand eller forbrændinger. Opbevar ikke det afladte batteri i længere tid, da det kan forkorte batteriets levetid.

FEJLFINDING

Udfør selv en inspektion, inden De anmoder om reparation. Hvis du opdager et problem, som ikke er forklaret i brugsanvisningen, må du ikke forsøge at skille maskinen ad. Rådfør Dem i stedet med et autoriseret Makita Servicecenter, og brug altid originale Makita udskiftningsdele til reparationer.

Symptom	Sandsynlig årsag	Afhjælpning
Virker ikke.	Akkuerne er installeret forkert.	Sæt akkuerne i som beskrevet i denne brugervejledning.
	Akkuerne er afladet.	Oplad akkuerne.
Apparatet slukkes med en biplyd kort tid efter, at apparatet er blevet tændt.	Temperaturføleren registrerer høj temperatur, fordi der er blevet trykket på afbryderen efter kogning.	Lad apparatet være slukket i nogle minutter for at afkøle det.
Apparatet slukkes, når afbryderen blinker orange kort tid efter, at apparatet er blevet tændt.	Terminalen på temperaturføleren er beskidt.	Aftør snavset på temperaturføleren med en tør klud.
	Strømforsyningsstativet er vipet eller placeret på en ustabil overflade.	Sæt apparatet på den stabile, jævne og flade overflade.
Selvom kogningen ikke er afsluttet, slukkes apparatet med et par sekunders biplyd, ligesom når kogningen er afsluttet.	Terminalen på temperaturføleren er beskidt.	Aftør snavset på temperaturføleren med en tør klud.
	Kedlen sidder ikke korrekt på strømforsyningsstativet, fordi støv eller lignende sidder fast mellem kedlen og strømforsyningsstativet.	Fjern eventuelt støv på bunden af kedlen eller på strømforsyningsstativet.
Afbryderen holder ikke op med at blinke rødt. (Og afbryderen slukkes ca. 10 minutter efter.)	Strømforsyningsstikket på kedlen og/eller strømforsyningsstativet er snavset.	Afmonter batteriet, og aftør snavset på strømforsyningsstikket med en tør klud.
Kogt vand løber ud.	Vand fyldes ud over den maksimale linje.	Reducer vandet under den maksimale linje.
	Alt andet end vand fyldes i kedlen.	Undlad at koge andet end vand.
Det kogte vand lugter.	Klor i postevand kan lugte.	
	Lugten af harpiks lige efter udpakning vil forsvinde med tiden.	
Dråber af vandet på strømforsyningsstativet.	Der kan forekomme dugkondensering på apparatet på grund af dampen fra det kogte vand.	
Det kogte vand siver ud, når kedlen vippes.	Der er en åbning på tuden. Selvom knappen Åbn låg er i låst position, løber vandet ud, når kedlen vippes.	

EKSTRAUDSTYR

⚠FORSIGTIG: Det følgende tilbehør og ekstraudstyr anbefales til brug med dit Makita apparat, der er beskrevet i denne brugervejledning. Brugen af andet tilbehør eller ekstraudstyr kan medføre risiko for personskade. Brug kun tilbehør eller ekstraudstyr til det beskrevne formål.

Hvis De behøver hjælp ved valg af tilbehør eller ønsker yderligere informationer, bedes De kontakte Deres lokale Makita servicecenter.

- Originalt Makita-batteri og autoriseret Makita-oplader

BEMÆRK: Nogle ting på denne liste kan være inkluderet i værktøjspakken som standardtilbehør. Det kan være forskellige fra land til land.

BRĪDINĀJUMS

- Lietotājiem Eiropā
Šo ierīci drīkst izmantot bērni no 8 gadu vecuma, ja viņiem ir nodrošināta uzraudzība un sniegti norādījumi par ierīces drošu izmantošanu un ja viņi izprot saistītos apdraudējumus. Ierīci nedrīkst tīrīt un apkopt bērni, ja viņi nav vecāki par 8 gadiem un netiek uzraudzīti. Ierīci un tās vadu glabājiet vietā, kur tiem nevar piekļūt par 8 gadiem jaunāki bērni.
Ierīces drīkst izmantot personas ar samazinātām fiziskām, maņu vai psihiskām spējām vai kam trūkst pieredzes un zināšanu, ja tām ir nodrošināta uzraudzība un sniegti norādījumi par ierīces drošu izmantošanu un personas izprot saistītos apdraudējumus.
Bērni nedrīkst spēlēties ar ierīci.
- Lietotājiem ārpus Eiropas
Šo ierīci nedrīkst izmantot personas (tostarp bērni) ar samazinātām fiziskām, maņu vai psihiskām spējām vai kam trūkst pieredzes un zināšanu, ja vien uzraudzību nenodrošina vai norādījumus par ierīces izmantošanu nesniedz persona, kas ir atbildīga par iepriekš minēto personu drošību. Bērni ir jāuzrauga, lai tie nerotaļātos ar ierīci.
- Informāciju par atbilstošiem piesardzības pasākumiem apkopes darbu laikā skatiet nodaļā „APKOPE”.
- Lai uzzinātu akumulatora tipu, skatiet nodaļu „SPECIFIKĀCIJAS”.
- Lai uzzinātu, kā uzstādīt vai izņemt akumulatoru, skatiet sadaļu „Akumulatora kasetnes uzstādīšana un izņemšana”.
- Lai utilizētu akumulatora kasetni, izņemiet to no darbarīka un likvidējiet drošā vietā. Ievērojiet vietējos noteikumus par akumulatoru likvidēšanu.
- Ja ierīce netiks lietota ilgu laiku, no tās jāizņem akumulators.
- Neradiet akumulatora kasetnes īssavienojumu.
- Šo ierīci ir paredzēts izmantot māsasaimniecībā un līdzīgās vietās, piemēram,
 - darbinieku virtuvē veikalos, birojos un citās darba vidēs;
 - zemnieku māsasaimniecībās;
 - klientiem viesnīcās, moteļos un citās dzīvojamās vidēs;
 - pansiju veida vidēs.
- Lai aizsargātu pret aizdegšanos un elektriskās strāvas triecienu, ierīci un akumulatoru neiegremdējiet ūdenī vai kādā citā šķidrumā.
- Ierīcē neiepildiet pārāk daudz ūdens. Vārošs ūdens var izšļakstīties un izraisīt apdegumus.
- **BRĪDINĀJUMS!** Neatveriet vāku, kamēr ūdens vārās.
- Šī ir ar akumulatoru darbināma ierīce, un akumulatoru lādē ārpus ierīces.
- Pirms lādēšanas uzlādējama akumulators jāatvieno no ierīces.
- Akumulatori jāievieto, pareizi savietojot polus.
- Izlietots akumulators ir jāatvieno no ierīces un jālikvidē drošā veidā.
- Nepieļaujiet šķidruma nokļūšanu uz barošanas avota savienotājiem vai akumulatora spailēm.
- Šī ierīce ir tējkanna ūdens vārīšanai, un, ja to nepareizi lieto, var gūt traumas.

SPECIFIKĀCIJAS

Modelis:	KT001G
Nominālais spriegums	Līdzstrāva 36 V–40 V maks.
Ietilpība	0,8 l
Izmēri (G x P x A)	235 x 322 x 307 mm (bez akumulatora kasetnes)
Neto svars *1 (tējkannas un barošanas avota statīva kopējais svars)	2,8–5,9 kg (ar akumulatora kasetnēm)
Tīrsvars (tikai tējkanna)	1,0 kg
Tīrsvars (tikai barošanas avota statīvs)	1,1 kg (bez akumulatora kasetnes)
Paredzētais vārīšanas ilgums *2	Aptuv. 8 min. (ja vāra 0,8 l 23 °C ūdeni un apkārtējā temperatūra ir 23 °C)

*1 Tējkannas, barošanas statīva un akumulatora kasetņu visvieglākais un vissmagākais kombinētais svars ir parādīts tabulā.

*2 Vērtības var atšķirties atkarībā no akumulatora veida, uzlādes statusa un lietošanas stāvokļa.

- Nepārtrauktās izpētes un izstrādes programmas dēļ šeit uzrādītās specifikācijas var tikt mainītas bez brīdinājuma.
- Atkarībā no valsts specifikācijas var atšķirties.

Ūdens daudzums, ko iespējams uzvārt

Akumulatora kasetne (pilnībā uzlādēta)	Ūdens daudzums, ko iespējams uzvārt*
BL4020 x 2	1,1 l
BL4025 x 2	1,2 l
BL4040 x 2	2,2 l
BL4050F x 2	3,0 l
BL4080F x 2	4,9 l
PDC1200	11,4 l

* Ja vāra 23 °C ūdeni un apkārtējā temperatūra ir 23 °C

PIEZĪME: Daudzums ir aptuvenš un var būt atšķirīgs atkarībā no akumulatora veida, uzlādes statusa un lietošanas apstākļiem.

PIEZĪME: Ūdens daudzums, ko var uzvārt ar vienu akumulatoru, ir aptuveni puse no tā daudzuma, ko var uzvārt, izmantojot divus akumulatorus.

Piemērotā akumulatora kasetne un lādētājs

Akumulatora kasetne	BL4020 / BL4025 / BL4040 / BL4050F / BL4080F
Lādētājs	DC40RA / DC40RB / DC40RC

- Daži no iepriekš norādītajiem lādētājiem un akumulatora kasetnēm var nebūt pieejami atkarībā no jūsu mītnes reģiona.

⚠ BRĪDINĀJUMS: Izmantojiet vienīgi iepriekš norādītās akumulatora kasetnes un lādētājus. Cita tipa akumulatora kasetņu un lādētāju izmantošana var radīt traumu un/vai aizdegšanās risku.

Ieteicamais ar vadu savienojamais barošanas avots

Pārnēsājams barošanas bloks	PDC1200
-----------------------------	---------

- Iepriekš norādītais(-ie) akumulatora bloks(-i) ar vadu jūsu mītnes reģiona var nebūt pieejams(-i).
- Pirms akumulatora ar vadu izmantošanas izlasiet norādījumus un izpētiēt uz tā redzamos brīdinājumus.

Simboli

Tālāk ir attēloti simboli, kas var attiekties uz darbarīka lietošanu. Pirms darbarīka izmantošanas pārliecinieties, vai pareizi izprotat to nozīmi.



Izlasiet lietošanas rokasgrāmatu.



Brīdinājums! Karsta virsma. Apgedumu risks. Nepieskarieties, kamēr nav atdzisis.



Šim izstrādājumam ir piemērots parauga akumulators.



Tikai ES valstīm
Tā kā šajā aprīkojumā ir bīstamas sastāvdaļas, elektrisko un elektronisko iekārtu, akumulatoru un bateriju atkritumi var negatīvi ietekmēt apkārtējo vidi un cilvēka veselību.
Elektroierīces, elektroniskās ierīces un akumulatorus nedrīkst izmest kopā ar mājāsaimniecības atkritumiem!
Saskaņā ar Eiropas direktīvu par elektrisko un elektronisko iekārtu atkritumiem, akumulatoriem un baterijām, kā arī akumulatoru un bateriju atkritumiem un šīs direktīvas pielāgošanu valsts tiesību aktiem elektrisko un elektronisko iekārtu, bateriju un akumulatoru atkritumi ir jāglabā atsevišķi un jānogādā uz sadzīves atkritumu dalītās savākšanas vietu, ievērojot attiecīgos vides aizsardzības noteikumus.
Par to liecina uz iekārtas redzams simbols ar pārsvītrotu atkritumu konteineru uz riteņiem.



Tikai ES valstīm
Šī izstrādājuma pareiza likvidēšana
Šis marķējums norāda, ka šo izstrādājumu nedrīkst izmest kopā ar citiem mājāsaimniecības atkritumiem visā ES. Lai novērstu nevēlamu kaitējumu videi vai cilvēku veselībai, ko nodara nekontrolēta atkritumu likvidēšana, pārstrādājiet izstrādājumu atbildīgi, lai veicinātu materiālo resursu ilgtspējīgu atkārtotu izmantošanu. Lai atdotu atpakaļ lietoto ierīci, lūdzu, izmantojiet atpakaļ atdošanas un savākšanas sistēmas vai sazinieties ar mazumtirgotāju, pie kura izstrādājums ir iegādāts. Tas var nodot šo izstrādājumu videi nekaitīgai pārstrādei.
Tā kā šajā aprīkojumā ir bīstamas sastāvdaļas, lietotas elektriskās un elektroniskās iekārtas var negatīvi ietekmēt apkārtējo vidi un cilvēka veselību.

Paredzētā lietošana

Ierīce ir paredzēta ūdens vārīšanai.

DROŠĪBAS BRĪDINĀJUMI

Drošības brīdinājumi bezvadu tējkannas lietošanai

▲BRĪDINĀJUMS: SVARĪGI! PIRMS LIETOŠANAS UZMANĪGI IZLASIET visus drošības brīdinājumus un visus norādījumus. Brīdinājumu un norādījumu neievērošanas gadījumā var rasties elektrotrauma, aizdegšanās un/vai smagas traumas.

1. **Izmantojiet tikai ražotāja ieteiktos piederumus.** Citādi var rasties neparedzēta problēma.
2. **Nepieskarieties karstām virsmām.** Lietošanas laikā virsmas var sakarst.
3. **Nelietojiet šo ierīci sprādzienbīstamā atmosfērā.** Pastāv apdegumu vai aizdegšanās risks.
4. **Nelietojiet ierīci siltuma avotu (piem., krāns u. c.) tuvumā.**
5. **Neizmantojiet ierīci mitrās vai slapjās vietās un lietū.** Ierīcē var iekļūt ūdens, un tas var izraisīt strāvas triecienu.
6. **Ierīci novietojiet uz līdzenas, stabilas virsmas.**
7. **Vārīšanas laikā nenesdziet snīpi.** Tvaiks nevar izplūst, un tādējādi var izraisīt nepareizu darbību vai radīt traumas.
8. **Pirms ierīces tīrīšanas nogaidiet, līdz tā atdziest.** Citādi var gūt apdegumus.
9. **Nelieciet guļus ierīci, kurā ir ūdens.** Izplūšanas bloķētājs pilnībā neaptur ūdens izplūšanu. Ūdens var izlīti, pat ja izplūšanas bloķētājs ir ieslēgts.
10. **Ierīci novietojiet tā, lai tvaiks nenokļūtu uz sienām vai mēbelēm.** Citādi tas var izraisīt izbalēšanu, deformāciju vai plaisāšanu.
11. **Vāriet tikai ūdeni. Nevāriet neko citu, piemēram, pienu, tēju, zupu utt.** Citādi saturs var izšļakstīties un radīt traumas, vai arī ierīce var sasmērēties vai darboties nepareizi.
12. **Tējkannā nelieciet citus priekšmetus, piemēram, pudeli vai tasi utt., leļiet tikai ūdeni.** Citādi ūdens var izšļakstīties un radīt traumas, vai arī ierīce var sasmērēties vai darboties nepareizi.
13. **Neatveriet vāku uzreiz pēc ūdens uzvārīšanās.** Citādi uzvārtais ūdens var nopīlēt uz izraisīt apdegumus.

▲BRĪDINĀJUMS: NEPIEĻAUJIET to, ka labu iemaņu vai izstrādājuma labas pārzināšanas (darbarīku atkārtoti ekspluatējot) rezultātā vairs stingri neievērojāt šī izstrādājuma drošības noteikumus. NEPAREIZI LIETOJOT darbarīku vai neievērojot šajā instrukcijā rokasgrāmatā minētos drošības noteikumus, var tikt gūtas smagas traumas.

Ar akumulatoru darbināmas ierīces izmantošana un kopšana

1. Izvairieties no nejaušas iedarbināšanas. Pirms ierīces pievienošanas akumulatoram, pirms tās pacelšanas vai nešanas pārbaudiet, vai slēdzis ir izslēgšanas pozīcijā. Ierīces nešana ar pirkstu uz slēdža vai pievienošana barošanas avotam, kad slēdzis ir ieslēgšanas pozīcijā, palielina negadījumu rašanās risku.
2. Pirms ierīces regulēšanas, piederumu maiņas vai novietošanas tās uzglabāšanas vietā atvienojiet akumulatoru no ierīces. Šādi piesardzības pasākumi mazina ierīces nejaušas ieslēgšanas risku.
3. Uzlādei izmantojiet tikai ražotāja norādītos lādētājus. Vienam akumulatoru tipam paredzēta lādētāja izmantošana cita tipa akumulatoru uzlādei var radīt aizdegšanās bīstamību.
4. Kopā ar ierīci izmantojiet tikai tai īpaši paredzētos akumulatorus. Cita tipa akumulatoru izmantošana var radīt traumu un aizdegšanās risku.
5. Kamēr akumulators netiek izmantots, neturiet to blakus metāla priekšmetiem, piemēram, saspraudēm, monētām, atslēgām, naglām, skrūvēm un citiem nelieliem metāla priekšmetiem, kas var savienot izvadus. Akumulatora spaiļu īssavienojums var izraisīt apdegumus vai aizdegšanos.
6. Nepareizas lietošanas gadījumā no akumulatora var iztect šķidrums, nepieskarieties tam. Ja nejauši pieskārties šķidrumam, noskalojiet skarto vietu ar ūdeni. Ja šķidrums nokļūst acīs, papildus iepriekš minētajam, vēsieties pie ārsta. No akumulatora iztecejušais šķidrums var izraisīt kairinājumu vai apdegumus.
7. Ja akumulators vai ierīce ir bojāti vai pārveidoti, nelietojiet tos. Bojāti vai pārveidoti akumulatori var darboties nepareizi un izraisīt aizdegšanos, sprādzienu vai traumu.
8. Nepakļaujiet akumulatoru un ierīci uguns un pārmērīgi augstas temperatūras iedarbībai. Uguns vai temperatūra virs 130 °C var izraisīt sprādzienu.
9. Ievērojiet visus lādēšanas norādījumus un nelādējiet akumulatoru vai ierīci, ja temperatūra neatbilst lietošanas pamācībā norādītajam diapoznam. Nepareiza uzlāde vai temperatūra ārpus noteiktā diapazona var sabojāt akumulatoru un palielināt aizdegšanās risku.
10. Ierīces apkopi uzticiet veikt kvalificētam remonta speciālistam, kurš izmanto tikai identiskas rezerves daļas. Tādējādi tiks uzturēta izstrādājuma drošība.
11. Nepārveidojiet vai nemēģiniet labot ierīci vai akumulatoru veidos, kas nav norādīti ierīces lietošanas un apkopes norādījumos.

Svarīgi drošības norādījumi par akumulatora kasetni

1. Pirms akumulatora lietošanas izlasiet visus norādījumus un brīdinājumus, kuri attiecas uz (1) akumulatora lādētāju, (2) akumulatoru un (3) ierīci, kurā tiek izmantots akumulators.
2. Akumulatora kasetni nedrīkst ne pārveidot, ne izjaukt. Citādi var tikt izraisīta aizdegšanās, pārmērīgs karstums vai sprādziens.
3. Ja akumulatora darbības laiks kļuva ievērojami īsāks, nekavējoties pārtrauciet to izmantot. Citādi, tas var izraisīt pārkarsējumu, uzliesmojumu vai pat sprādzienu.
4. Ja elektrolīts nonāk acīs, izskalojiet tās ar tīru ūdeni un nekavējoties griezieties pie ārsta. Tas var izraisīt redzes zaudēšanu.
5. Neradiet īssavienojumu akumulatora kasetnē:
 - (1) Nepieskarieties spaiļiem ar elektrību vadošiem materiāliem.
 - (2) Neuzglabājiet akumulatoru kasetni kopā ar citiem metāla priekšmetiem, tādiem kā naglas, monētas u. c.
 - (3) Nepakļaujiet akumulatora kasetni ūdens vai lietus iedarbībai.Akumulatora īssavienojums var radīt spēcīgu strāvas plūsmu, pārkarsānu, uzliesmojumu un pat sabojāt akumulatoru.
6. Neglabājiet un neizmantojiet ierīci un akumulatora kasetni vietās, kur temperatūra var sasniegt vai pārsniegt 50 °C (122 °F).
7. Nededziniet akumulatora kasetni, pat ja tā ir stipri bojāta vai pilnībā nolietota. Akumulatora kasetne ugunī var eksplodēt.
8. Akumulatora kasetni nedrīkst naglot, griezt, saspīst, mest vai nomest, kā arī pa to nedrīkst sist ar cietu priekšmetu. Šādas darbības var izraisīt aizdegšanos, pārmērīgu karstumu vai sprādzienu.
9. Neizmantojiet bojātu akumulatoru.
10. Uz izmantotajiem lītija jonu akumulatoriem attiecas likumdošanas prasības par bīstamiem izstrādājumiem. Komerציālā transportēšanā, ko veic, piemēram, trešās puses, transporta uzņēmumi, jāievēro uz iesaiņojuma un marķējuma norādītās īpašās prasības. Lai izstrādājumu sagatavotu nosūtīšanai, jāsazinās ar bīstamo materiālu speciālistu. Ievērojiet arī citus attiecināmos valsts normatīvus. Valējus kontaktus nosedziet ar līmlieti vai citādi pārklājiet, bet akumulatoru iesaiņojiet tā, lai sainītas nevarētu izkustēties.
11. Likvidējot akumulatora kasetni, izņemiet to no ierīces un atbrīvojiet no tās drošā vietā. Ievērojiet vietējos noteikumus par akumulatoru likvidēšanu.
12. Izmantojiet šos akumulatorus tikai ar izstrādājumiem, kurus norādījis Makita. Ievietojot šos akumulatorus nesaderīgos izstrādājumos, var rasties ugunsgrēks, pārmērīgs karstums, tie var uzsprāgt vai no tiem var iztect elektrolīts.
13. Ja ierīce ilgi netiek lietota, no tās jāizņem akumulators.
14. Lietošanas laikā un pēc tās akumulatora kasetne var uzkrāt siltumu, kas var izraisīt apdegumus vai zemas temperatūras apdegumus. Ar karstu akumulatora kasetni apejieties rūpīgi.

15. Nepieskarīeties ierīces spaiļēm tūlīt pēc lietošanas, jo tās var būt pietiekami sakarsušas, lai izraisītu apdegumus.
16. Neļaujiet akumulatora kasetnes spaiļēs, atvērēs un rievās uzkrāties skaidām, putekļiem vai netīrumiem. Tādējādi ierīce vai akumulatora kasetne var darboties nekvalitatīvi vai tikt bojāti.
17. Neizmantojiet akumulatora kasetni augstsprieguma līniju tuvumā, izņemot gadījumus, kad ierīce ir piemērota lietošanai augstsprieguma līniju tuvumā. Tādējādi ierīce vai akumulatora kasetne var darboties nepareizi vai tikt bojāti.
18. Glabājiet akumulatoru bērniem nepieejamā vietā.

SAGLABĀJIET ŠOS NORĀDĪJUMUS.

UZMANĪBU: Lietojiet tikai oriģinālos Makita akumulatorus. Lietojot akumulatorus, kurus nav ražojis uzņēmums Makita, vai pārveidotus akumulatorus, tie var uzsprāgt un izraisīt aizdegšanos, traumas un bojājumus. Šādā gadījumā arī tiks anulēta Makita ierīces un lādētāja garantija.

Ieteikumi akumulatora kalpošanas laika pagarināšanai

1. Uzlādējiet akumulatora kasetni, pirms tā ir pilnībā izlādējusies. Ja ievērojat, ka ierīces darba jauda zudusi, apturiet ierīci un uzlādējiet akumulatora kasetni.
2. Nekad neuzlādējiet pilnībā uzlādētu akumulatora kasetni. Pārmērīga uzlāde saīsina akumulatora kalpošanas laiku.
3. Uzlādējiet akumulatora kasetni istabas temperatūrā 10 °C - 40 °C. Karstai akumulatora kasetnei pirms uzlādes ļaujiet atdzist.
4. Kad akumulatora kasetne netiek izmantota, izņemiet to no ierīces vai lādētāja.
5. Uzlādējiet litija jonu akumulatora kasetni, ja to ilgstoši nelietosit (vairāk nekā sešus mēnešus).

DETAĻU APRAKSTS

Tējkanna

► Att.1

1	Snīpis	2	Vāks
3	Izplūšanas bloķētāja poga	4	Vāka atvēršanas poga
5	Rokturis	6	Maksimālā līmeņa līnija
7	Ūdens tilpuma skala	8	Barošanas avota savienotājs (apakšpusē)
9	Temperatūras sensors	-	-

Barošanas avota statīvs

► Att.2

10	Pārnēsāšanas rokturis	11	Barošanas avota savienotājs
12	Barošanas slēdzis	13	Akumulatora kasetne
14	Temperatūras sensors	15	Zemējuma sensors

FUNKCIJU APRAKSTS

UZMANĪBU: Pirms ierīces regulēšanas vai darbības pārbaudes vienmēr pārlicinieties, ka ierīce ir izslēgta un akumulatora kasetne ir izņemta.

Akumulatora kasetnes uzstādīšana un izņemšana

UZMANĪBU: Vienmēr pirms akumulatora kasetnes uzstādīšanas vai izņemšanas izslēdziet ierīci.

UZMANĪBU: Ievietojot vai izņemot akumulatora kasetni, turiet cieši ierīci un akumulatora kasetni. Ja ierīci un akumulatora kasetni netur cieši, tās var izkrist no rokām un tikt sabojātas, kā arī radīt traumas.

Lai izņemtu akumulatora kasetni, izvelciet to no ierīces, vienlaikus bīdot pogu kasetnes priekšpusē.

Lai uzstādītu akumulatora kasetni, salāgojiet mēlīti uz akumulatora kasetnes ar rievu ietvarā un iebīdīet to vietā. Ievietojiet to līdz galam, līdz tā ar klikšķi nokļūst vietā. Ja pogas augšējā daļā redzams sarkanais krāsas indikators, tas nozīmē, ka tā nav pilnīgi fiksēta.

► Att.3: 1. Sarkanais krāsas indikators 2. Poga 3. Akumulatora kasetne

UZMANĪBU: Vienmēr ievietojiet akumulatora kasetni tā, lai sarkanais indikators nebūtu redzams. Pretējā gadījumā tā var nejauši izkrist no darbarīka un izraisīt jums vai apkārtējiem traumas.

UZMANĪBU: Neievietojiet akumulatora kasetni ar spēku. Ja kasetne neslīd ietvarā viegli, tā nav pareizi ielikta.




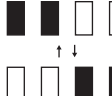

PIEZĪME: Lai arī ierīce darbības laikā izmanto tikai vienu akumulatora kasetni, var uzstādīt līdz divām akumulatora kasetnēm.

Atlikušās akumulatora jaudas indikators

Nospiediet akumulatora kasetnes pārbaudes pogu, lai pārbaudītu akumulatora atlikušo uzlādes līmeni. Indikatori iedegsies uz dažām sekundēm.

► Att.4: 1. Indikatora lampas 2. Pārbaudes poga

Indikatora lampas			Atlikusī jauda
Iededzies	Izslēgts	Mirgo	
■	□	◐	No 75% līdz 100%
■	■	□	No 50% līdz 75%
■	□	□	No 25% līdz 50%
■	□	□	No 0% līdz 25%
◐	□	□	Uzlādējiet akumulatoru.

Indikatora lampas			Atlikusi jauda
			
ledzies	izslēgts	Mirgo	Iespējama akumulatora kļūme.
			

PIEZĪME: Reālā jauda var nedaudz atšķirties no norādītās atkarībā no lietošanas apstākļiem un apkārtējās temperatūras.

PIEZĪME: Akumulatora aizsardzības sistēmas darbības laikā mirgo pirmais (kreisais malējais) indikators.

ierīces/akumulatora aizsardzības sistēma

Ierīce un akumulators ir aprīkots ar aizsardzības sistēmu. Šī sistēma automātiski izslēdz motora barošanu, tādējādi pagarinot ierīces un akumulatora darbību. Ierīce automātiski pārstās darboties, ja ierīci vai akumulatoru pakļaus kādam no tālāk norādītajiem apstākļiem.

- Aizsardzība pret pārslodzi: Ja ierīci vai akumulatoru lieto veidā, kas tai liek patērēt pārmērīgi lielu strāvas daudzumu, tā automātiski pārstāj darboties bez iepriekšēja brīdinājuma. Šādā gadījumā izslēdziet ierīci un pārtrauciet darbību, kas izraisīja ierīces pārslodzi. Pēc tam ieslēdziet ierīci, lai atsāktu darbu.
- Aizsardzība pret pārkaršanu: ja ierīce vai akumulators ir pārkaris, darbība automātiski tiek pārtraukta. Pirms atkārtotas ieslēgšanas ļaujiet ierīcei atdzist.
- Aizsardzība pret akumulatora pārmērīgu izlādi: ja ir zema atlikusi akumulatora jauda, ierīce automātiski pārstāj darboties. Ja ierīce nedarbojas, pat ieslēdzot slēdzus, izņemiet no ierīces akumulatora kasetni un uzlādējiet to.

Aizsardzība pret citiem cēloņiem

Aizsardzības sistēma ir paredzēta arī pret citiem cēloņiem, kas varētu radīt ierīces bojājumus, un nodrošina automātisku ierīces apturēšanu. Ja ierīces darbība ir īslaicīgi apstājusies vai pārstājusi darboties, veiciet visas tālāk norādītās darbības, lai novērstu cēloņus.

- Izslēdziet un ieslēdziet ierīci, lai to no jauna iedarbinātu.
- Uzlādējiet akumulatoru(-s) vai nomainiet to(-s) ar uzlādētu(-iem) akumulatoru(-iem).
- Ļaujiet ierīcei un akumulatoram(-iem) atdzist.

Ja pēc aizsardzības sistēmas atjaunošanas nav uzlabojumu, sazinieties ar vietējo Makita tehniskās apkopes centru.

Ierīces lietošana, izmantojot ar vadu savienojamu barošanas avotu

Pirms izmantojat ar vadu savienojamo barošanas avotu, izlasiet instrukcijas un uz tā attēlotos brīdinājumus.

BRĪDINĀJUMS: Ja lietojat ierīci, izmantojot ar vadu savienojamo barošanas avotu, tad ar vadu savienojamo barošanas avotu novietojiet uz stabilas virsmas. Šo ierīci paredzēts izmantot statiskā pozīcijā. Ja ar vadu savienojamo barošanas avotu pārnēsā no muguras, jūs varat aizķerties un nokrist.

EKSPLUATĀCIJA

Sagatavošanās

Ja ierīci izmantojat pirmo reizi vai pēc ilgstošas glabāšanas, izpildiet tālāk norādītās darbības.

- Noņemiet no ierīces visu iepakojumu.
- Iztīriet tējkannas iekšpusi un filtru. Tur var būt netīrumi, piemēram, putekļi.

Tīrīšanas norādes skatiet nodaļā „APKOPE”.

Ūdens vārīšana

UZMANĪBU: Vāriet tikai ūdeni. Nevāriet neko citu, tikai ūdeni.

UZMANĪBU: Nenovietojiet ierīci uz nestabilas virsmas, vietā, kur bieži garām iet cilvēki, vai vietā, kur to var aizsniegt bērni. Pretējā gadījumā ierīci var nejauši apgāzt un izraisīt traumu.

UZMANĪBU: Aizverot vāku, stingri aizspiediet vāku un izplūšanas bloķētāja pogu pārslēdziet bloķētā stāvoklī. Citādi ierīces apgāšanās gadījumā var gūt apdegumus.

- Atveriet vāku, piespiežot abas vāka atvēršanas pogas.
- Tējkannā ielejiet vajadzīgo daudzumu svaiga remdena ūdens. Pēc tam aizveriet vāku.

UZMANĪBU! Izplūšanas bloķētāja pogai jābūt bloķētā stāvoklī. Citādi vārošs ūdens var nejauši izšļakstīties un izraisīt apdegumus.

UZMANĪBU! Neieplīdiēt ūdeni virs maksimālā līmeņa līnijas. Citādi vārošs ūdens var izšļakstīties un izraisīt apdegumus.

IEVĒRĪBAI. Nepieļaujiet karšanu bez ūdens. Neieslēdziet ierīci, ja tajā nav ūdens. Citādi tas var izraisīt izbalēšanu vai nepareizu darbību.

► Att.5

- Uzlieciet tējkannu uz barošanas avota stāpīva.

► Att.6

- Nospiediet barošanas slēdzi.

Barošanas slēdzis iedegas oranžā krāsā, un atskan viens skaņas signāls, tad sākas vārīšanās.

► Att.7: 1. Barošanas slēdzis

UZMANĪBU! Pārlicinieties, vai vāks ir aizvērts. Citādi var izplūst liels daudzums tvaika un var rasties applaucējumi.

UZMANĪBU! Pārlicinieties, vai izliešanas bloķēšanas poga ir fiksētā stāvoklī. Citādi var izplūst liels daudzums tvaika un var rasties applaucējumi.

UZMANĪBU! Nepieskarities tvaikam. Var gūt apdegumus.

► Att.8

UZMANĪBU! Vārīšanās laikā un kādu laiku pēc tās nepieskarities vietai ap zīmi  un attēlā parādītajai metāla daļai. Var gūt apdegumus.

► Att.9: 1. Metāla daļa, kas var būt ļoti karsta

PIEZĪME. Ja barošanas slēdzi nospiež tūlīt pēc vārīšanas, ierīce var nedarboties, jo tā ir aprīkota ar aizsardzību pret augstu temperatūru. Šādā gadījumā pagaidiet, līdz ierīce atdziest, un pēc tam vēlreiz nospiediet barošanas slēdzi.

Kad ūdens uzvārījies, ierīce automātiski izslēdzas, un dažas sekundes skan skaņas signāls.

PIEZĪME. Ja tējkannu vai barošanas avota statīvu paceļ vārīšanas laikā, ierīce pārtrauc vārīšanu un barošanas slēdzis mirgo oranžā krāsā.

— Ja tējkannu vai barošanas avota statīvu noliek atpakaļ, kamēr barošanas slēdzis mirgo, ierīce automātiski atsāk vārīšanu.

— Dažas sekundes pēc tējkannas vai barošanas avota statīva pacelšanas ierīce izslēdzas.

PIEZĪME. Ja vārīšanas laikā atlikušā akumulatora jauda samazinās līdz zemam līmenim, ierīce izslēdzas, barošanas slēdzis dažas sekundes mirgo sarkanā krāsā, un atskan trīs skaņas signāli.

PIEZĪME. Ja šo ierīci ieslēdz, kad visu akumulatoru atlikušā jauda ir maza, pēc dažām sekundēm ierīce izslēdzas, atskatot vienam pīkstienam.

5. Paceļot tējkannu, pieturiet barošanas avota statīva pārnēsāšanas rokturi.

► Att.10

6. Lejiet ūdeni.

⚠UZMANĪBU! Lejot vārošu ūdeni, uzmanieties, lai neapdedzinātos.

Lai novērstu nejaušu ūdens izplūšanu, paredzēts izmantot izplūšanas bloķētāja pogu. Lai lietu ūdeni, piespiediet izplūšanas bloķētāja pogu.

► Att.11

Pārnēsāšana

⚠BRĪDINĀJUMS: Nepārnēsājiet tējkannu ar barošanas avota statīvu, kamēr ūdens tiek vārīts vai ja tējkannā jau ir vārīts ūdens. Citādi, nokrītot, iespējams gūt apdegumus.

Pārnēsājot ierīci, izmantojiet pārnēsāšanas rokturi.

APKOPE

⚠BRĪDINĀJUMS: Jebkādu detaļu nomaiņa jāveic pilnvarotā apkopes centrā.

⚠UZMANĪBU: Pirms ierīces pārbaudes vai apkopes vienmēr pārlicinieties, ka tā ir izslēgta un ka akumulatora kasetne ir izņemta.

⚠UZMANĪBU: Nepieskarities tējkannai uzreiz pēc uzvārtā ūdens izliešanas. Nogaidiet, līdz tējkanna ir pilnīgi atdzisusi. Citādi var rasties apdegumu traumas.

⚠UZMANĪBU: Pirms pārbaudes vai apkopes pārlicinieties, ka tējkanna ir tukša. Pretējā gadījumā ir iespējami negadījumi.

► Att.12

IEVĒRĪBA! Nekad neizmantojiet gazoļīnu, benzīnu, atšķaidītāju, spirtu vai līdzīgus šķidrumus. Tas var radīt izbalēšanu, deformāciju vai plaisas.

IEVĒRĪBA! Neizmantojiet trauku mazgājamo mašīnu, žāvējamo aparātu vai matu fēnu.

IEVĒRĪBA! Neizmantojiet pulēšanas pulveri, balināšanas līdzekli, tīrīšanas līdzekli, metāla suku, cietu suku ar ķīmiskiem līdzekļiem utt.

IEVĒRĪBA! Nemazgājiet tējkannu un barošanas avota statīvu. Nesaslapiniet barošanas avota savienotāju.

► Att.13

Lai saglabātu izstrādājuma DROŠU un UZTICAMU darbību, remontdarbus, apkopi un regulēšanu uzticiet veikt tikai Makita pilnvarotam vai rūpnīcas apkopes centram, un vienmēr izmantojiet tikai Makita rezerves daļas.

Tīrīšana

Ierīces ārpusē

Kad ierīce atdzisusi, ar tīru drānu notīriet ierīces ārpusi. Ja ierīce ir ļoti netīra, izmantojiet ziepjūdeni samitrinātū drānu. Pēc tam ar tīru drānu noslaukiet ūdeni.

► Att.14

Tējkannas iekšpusē

Noņemiet vāku, to izvelkot no tējkannas, kā parādīts attēlā.

► Att.15

Kārtīgi izskalojiet ar ūdeni, pēc tam izžāvējiet iekšpusi.

Filters

Izņemiet filtru, to izvelkot no vāka, kā parādīts attēlā. Nomazgājiet filtru, pēc tam izžāvējiet to.

► Att.16: 1. Filtrs

Lai ieliktu filtru un uzliktu vāku, noņemšanas darbības izpildiet pretējā secībā.

Katlakmens noņemšana tējkannas iekšpusē

Ierīces lietošanas gaitā tējkannā uzkrāsies katlakmens. Katlakmens vārīšanu padara neefektīvu. Ja katlakmens uzkrāties ievērojamā daudzumā, tējkannas iekšpusi tīriet ar citronskābi.

1. Atveriet vāku un no vāka izņemiet filtru.
2. Tējkannā ielejiet ūdeni līdz maksimālā līmeņa līnijai.
3. Ūdenim pievienojiet 40 g (1,4 unces) veikalā nopērkamas citronskābes un apmaisiet. Pēc tam aizveriet vāku.
4. Uzlieciet tējkannu uz barošanas avota statīva.
5. Nospiediet barošanas slēdzi.
6. Kad ūdens uzvārījies, tējkannu atstājiet uz aptuveni 1 stundu.
7. Izlejiet ūdeni un tējkannu izskalojiet ar ūdeni.
8. Ja jūtat citronskābes garšu vai smaržu, uzvāriet tikai ūdeni un izlejiet to.

Ja netīrumus ir grūti notīrīt, atkārtojiet 2–7 darbību.

9. Izžāvējiet tējkannu un ielieciet vākā filtru.

Glabāšana

Lai novērstu ugunsgrēka vai aizdegšanās risku, pirms liekat ierīci glabāties, gādājiet, lai tā būtu atdzisusi. Neglabājiet ilgstoši izlādētu akumulatoru, jo tādējādi var saīsināties tā darbmūžs.

PROBLĒMU NOVĒRŠANA

Pirms vienošanās par remontu vispirms veiciet savu pārbaudi. Ja konstatējat problēmu, kas rokasgrāmatā nav aprakstīta, nemēģiniet izjaukt darbarīku. Tā vietā vērsieties Makita pilnvarotā servisa centrā un remontam vienmēr izmantojiet tikai Makita rezerves daļas.

Pazīme	Iespējamais cēlonis	Risinājums
Nedarbojas.	Akumulatora kasetnes nav uzstādītas pareizi.	Uzstādiēt akumulatora kasetnes atbilstoši šīs rokasgrāmatas norādījumiem.
	Akumulatora kasetnes ir tukšas.	Uzlādējiet akumulatora kasetnes.
Ierīce izslēdzas drīz pēc ieslēgšanas, atskanot vienam pīkstienam.	Temperatūras sensors konstatē augstu temperatūru, jo barošanas slēdzis nospiešts tūlīt pēc uzvārīšanās.	Uz dažām minūtēm atstājiet ierīci izslēgtu, lai tā atdzīst.
Ierīce izslēdzas drīz pēc ieslēgšanas, barošanas slēdzim mirgojot oranžā krāsā.	Temperatūras sensora izvads ir netīrs.	Ar sausu drānu noslaukiet netīrumus no temperatūras sensora.
	Barošanas avota statīvs stāv slīpi vai ir novietots uz nestabilas virsmas.	Novietojiet ierīci uz stabilas, horizontālas un gludas virsmas.
Lai arī vārīšana nav pabeigta, ierīce izslēdzas, dažas sekundes skanot pīkstienam, gluži tāpat kā gadījumā, ja vārīšana ir pabeigta.	Temperatūras sensora izvads ir netīrs.	Ar sausu drānu noslaukiet netīrumus no temperatūras sensora.
	Tējkanna nestāv uz barošanas pamatnes pareizi, jo starp tējkannu un barošanas pamatni ir sakrājušies putekļi vai citi gruži.	Notīriet visus putekļus un gružus no tējkannas apakšas un no barošanas pamatnes.
Barošanas slēdzis nebeidz mirgot sarkanā krāsā (un barošanas slēdzis izslēdzas aptuveni pēc 10 minūtēm)	Tējkannas un/vai barošanas avota statīva barošanas savienotājs ir netīrs.	Izņemiet akumulatoru un ar sausu drānu noslaukiet netīrumus no barošanas avota savienotāja.
Vārāmais ūdens izšļakstās.	Iepildītais ūdens pārsniedz maksimālā uzpildes līmeņa atzīmi.	Samaziniet ūdens daudzumu, lai tas būtu zem maksimālā līmeņa līnijas.
	Tējkannā iepildīts šķidrums, kas nav ūdens.	Nevāriet neko citu, tikai ūdeni.
Smaržo pēc vārīta ūdens.	Hlors krāna ūdenī var radīt nepatīkamu aromātu.	
	Pēc izsaiņošanas esošā sveķu smaka laika gaitā mazināsies.	
Ūdens pilieni uz barošanas pamatnes.	No vārītā ūdens tvaikiem uz ierīces var rasties rasas kondensāts.	
Sagāžot tējkannu, noplūst vārītais ūdens.	Snipī ir atvere. Pat ja vāka atvēršanas poga ir bloķētā stāvoklī, tējkannu sagāžot, izplūst ūdens.	

PAPILDU PIEDERUMI

⚠UZMANĪBU: Šos piederumus vai papildierīces ir ieteicams lietot kopā ar šajā rokasgrāmatā aprakstīto Makita ierīci. Izmantojot citus piederumus vai papildierīces, var rasties traumas. Piederumu vai palīgierīci izmantojiet tikai paredzētajam nolūkam.

Ja jums vajadzīga palīdzība vai precīzāka informācija par šiem piederumiem, vērsieties savā tuvākajā Makita apkopes centrā.

- Makita oriģinālais akumulators un Makita autorizētais lādētājs

PIEZĪME: Daži sarakstā norādītie izstrādājumi var būt iekļauti instrumenta komplektācijā kā standarta piederumi. Tie dažādās valstīs var būt atšķirīgi.

ĮSPĖJIMAS

- Naudotojams Europoje
Šį prietaisą leidžiama naudoti vaikams nuo 8 metų amžiaus, jei jie bus prižiūrimi arba instruktuojami apie tai, kaip saugiai naudoti šį prietaisą, ir supras atitinkamus pavojus. Valymo ir naudotojo priežiūros darbų negali atlikti vaikai, nebent jie yra vyresni nei 8 metų ir yra prižiūrimi. Laikykite prietaisą ir jo laidą jaunesniems nei 8 metų vaikams nepasiekiamoje vietoje.
Šį prietaisą leidžiama naudoti asmenims, turintiems psichinių, jutiminių ar protinių negalių, arba žmonėms, neturintiems patirties bei žinių, su sąlyga, kad jie bus prižiūrimi arba instruktuojami apie tai, kaip saugiai naudoti šį prietaisą, ir supras atitinkamus pavojus.
Neleiskite vaikams žaisti šiuo prietaisu.
- Naudotojams ne Europoje
Asmenims (įskaitant vaikus), nesugebantiems saugiai naudotis prietaisu dėl savo psichinio, jutiminio arba protinio neįgalumo arba patirties bei žinių stokos, negalima naudotis šiuo prietaisu be už šių asmenų saugumą atsakingų asmenų priežiūros ir nurodymų. Būtina prižiūrėti vaikus, kad jie nežaistų su prietaisu.
- Atitinkamą informaciją apie atsargumo priemones atliekant naudotojui techninės priežiūros darbus rasite skyriuje „TECHNINĖ PRIEŽIŪRA“.
- Akumuliatoriaus tipą rasite nurodytą skyriuje „SPECIFIKACIJOS“.
- Kaip išimti ar įdėti akumuliatorių, skaitykite skyriuje „Akumuliatoriaus kasetės uždėjimas ir nuėmimas“.
- Kai išmetate akumuliatoriaus kasetę, išimkite ją iš įrankio ir išmeskite saugioje vietoje. Vadovaukitės vietos reglamentais dėl akumuliatorių išmetimo.
- Jei įrankis bus ilgą laiką nenaudojamas, akumuliatorių būtina išimti iš įrankio.
- Nesudarykite akumuliatoriaus kasetėje trumpojo jungimo.
- Šis prietaisas yra skirtas naudoti buityje ir panašioms paskirtims, pvz.:
 - parduotuvių, biurų ir kitų darbo vietų darbuotojų virtuvėse;
 - ūkiuose;
 - viešbučiuose, moteliuose ir kitose gyvenamosiose patalpose;
 - nakvynės su pusryčiais apgyvendinimo įstaigose.
- Norėdami apsisaugoti nuo gaisro, elektros smūgio, nepamirškite prietaiso ir akumuliatoriaus į vandenį ar bet kokį kitą skystį.
- Neperpildykite prietaiso vandeniu. Užviręs vanduo gali ištikėti ir sukelti nudegimus.
- ĮSPĖJIMAS. Kol vanduo verda, nenuimkite dangčio.
- Šis prietaisas maitinamas akumuliatoriais, o akumuliatoriai įkraunami juos išėmus iš prietaiso.
- Prieš įkraunant įkraunamus akumuliatorius reikia išimti iš prietaiso.
- Akumuliatoriai turi būti įdedami tinkamais poliais.
- Išsikrovusius akumuliatorius reikia išimti iš prietaiso ir saugiai išmesti.
- Venkite bet kokio skysčio išsiliejimo ant maitinimo jungčių ar akumuliatorių gnybtų.
- Šis prietaisas – virduklis vandeniui virti, todėl netinkamai jį naudojant galima susižeisti.

SPECIFIKACIJOS

Modelis:	KT001G
Vardinė įtampa	Nuolatinė 36 V – 40 V maks.
Talpa	0,8 l
Matmenys (l x P x A)	235 x 322 x 307 mm (be akumuliatoriaus kasetės)
Grynasis svoris *1 (Bendras virdulio ir maitinimo stovo)	2,8–5,9kg (su akumuliatoriaus kasetėmis)
Grynasis svoris (Tik virdulio)	1,0 kg
Grynasis svoris (Tik maitinimo stovo)	1,1 kg (be akumuliatoriaus kasetės)
Numatytas virimo laikas *2	maždaug 8 min. (kai verdama 0,8 l 23 °C vandens, o aplinkos temperatūra yra 23 °C)

*1 Mažiausias ir didžiausias virdulio, maitinimo stovo ir akumuliatoriaus kasetėčių svoriai nurodyti lentelėje.

*2 Vertės gali skirtis, tai priklauso nuo akumuliatoriaus tipo, įkrovimo būsenos ir naudojimo sąlygų.

- Atlikame tęsinius tyrimus ir nuolatos tobuliname savo gaminius, todėl čia pateikiamos specifikacijos gali būti keičiamos be įspėjimo.
- Skirtingose šalyse specifikacijos gali skirtis.

Galimo užvirti vandens kiekis

Akumuliatoriaus kasetė (visiškai įkrauta)	Galimo užvirti vandens kiekis*
BL4020 x 2	1,1 l
BL4025 x 2	1,2 l
BL4040 x 2	2,2 l
BL4050F x 2	3,0 l
BL4080F x 2	4,9 l
PDC1200	11,4 l

* Kai verdama 23 °C temperatūros vandens, o aplinkos temperatūra yra 23 °C

PASTABA: Kiekiai yra apytiksliai ir gali skirtis priklausomai nuo akumuliatoriaus tipo, įkrovos būsenos ir naudojimo sąlygų.

PASTABA: Vandens kiekis, kurį galima užvirti naudojant vieną akumuliatorių, siekia maždaug pusę dviem akumuliatorių užverdama vandens kiekio.

Tinkama akumuliatoriaus kasetė ir (arba) įkroviklis

Akumuliatoriaus kasetė	BL4020 / BL4025 / BL4040 / BL4050F / BL4080F
Įkroviklis	DC40RA / DC40RB / DC40RC

- Atsižvelgiant į gyvenamosios vietos regioną, kai kurios pirmiau nurodytos akumuliatoriaus kasetės ir įkrovikliai gali būti neprieinami.

⚠️ ĮSPĖJIMAS: Naudokite tik akumuliatoriaus kasetes ir įkroviklius, kurie nurodyti anksčiau. Naudojant bet kurias kitas akumuliatoriaus kasetes ir įkroviklius, gali kilti sužeidimo ir gaisro pavojus.

Rekomenduojamas laidu prijungiamas maitinimo šaltinis

Nešiojamasis maitinimo šaltinis	PDC1200
---------------------------------	---------

- Atsižvelgiant į gyvenamosios vietos regioną, pirmiau nurodytas (-i) laidu prijungiamas (-i) akumuliatorius (-ai) gali būti neprieinamas (-i).
- Prieš naudodami laidu prijungiamą akumuliatorių, perskaitykite instrukciją ir ant jų pateiktus perspėjimus.

Simboliai

Toliau yra nurodyti simboliai, kurie gali būti naudojami įrangai. Prieš naudodami įsitinkinkite, kad suprantate jų reikšmę.



Perskaitykite instrukcijų vadovą.



Įspėjimas. Karštas paviršius. Nudėgimų pavojus. Nelieskite, kol neatvės.



Šiam gaminiiui tinkantis akumulatorius.



Ni-MH
Li-Ion

Taikoma tik ES šalims
Kadangi įrangoje yra pavojingų komponentų, panaudota elektrinė ir elektroninė įranga, akumulatoriai ir baterijos gali turėti neigiamo poveikio aplinkai ir žmonių sveikatai.

Nešalinkite elektros ir elektroninių prietaisų ar baterijų kartu su buitinėmis atliekomis! Pagal Europos direktyvą dėl elektros ir elektroninės įrangos atliekų bei akumuliatorių ir baterijų ir panaudotų akumuliatorių ir baterijų bei jos pritaikymą nacionaliniams įstatymams, panaudota elektros ir elektroninė įranga, baterijos ir akumulatoriai turi būti surenkami atskirai ir pristatomi į atskirą buitinių atliekų surinkimo punktą, kuris veikia pagal aplinkos apsaugos taisykles. Tai rodo perbrauktas konteinerio ant ratukų simbolis, pateiktas ant įrangos.



Nurodymas tik ES šalims
Tinkamas šio gaminio išmetimas
Šis ženklas reiškia, kad ES šalyje šio gaminio negalima išmesti su buitinėmis atliekomis. Norėdami išvengti galimo pakenkimo aplinkai arba žmonių sveikatai dėl nekontroliuojamo atliekų šalinimo, atsakingai pasirūpinkite perdėrbimu, kad paskatintumėte pakartotinį medžiagų panaudojimą. Norėdami grąžinti panaudotą įtaisą, pasinaudokite atliekų grąžinimo ir surinkimo sistemomis arba kreipkitės į pardavėją, iš kurio įsigijote gaminį. Jis gali pasirūpinti aplinkai saugiu šio gaminio perdėrbimu.

Kadangi įrangoje yra pavojingų komponentų, panaudota elektrinė ir elektroninė įranga gali turėti neigiamo poveikio aplinkai ir žmonių sveikatai.

Numatytoji naudojimo paskirtis

Prietaisas yra skirtas vandeniui virti.

SAUGOS ĮSPĖJIMAI

Saugos įspėjimai dėl belaidžio virdulio naudojimo

ĮSPĖJIMAS: SVARBU: PRIEŠ PRADĖDAMI NAUDOTI, ATIDŽIAI PERSKAITYKITE visus saugos įspėjimus ir nurodymus. Nesilaikydami toliau pateiktų įspėjimų ir instrukcijų, galite patirti elektros smūgį, gaisrą ir (arba) sunkų sužeidimą.

1. **Nenaudokite jokių priedų, kurių nerekomendavo gamintojas.** Priešingu atveju gali nutikti netikėtų dalykų.
2. **Nelieskite karštų paviršių.** Naudojimo metu paviršiai gali įkaisti.
3. **Nenaudokite prietaiso sprogiuojoje aplinkoje.** Priešingu atveju galima nusideginti arba gali kilti gaisras.
4. **Nenaudokite prietaiso arti šilumos šaltinių (viryklių ir pan.).**
5. **Nenaudokite prietaiso drėgnoje arba šlapioje vietoje, taip pat saugokite jį nuo lietaus.** Priešingu atveju į prietaisą gali patekti vandens ir galite patirti elektros šoką.
6. **Padėkite prietaisą ant lygaus stabilaus paviršiaus.**
7. **Verdant neuždenkite snapelio.** Garai negali būti išleidžiami, todėl gali sutrikti prietaiso veikimas arba gali sužaloti.
8. **Prieš valydami prietaisą leiskite jam atvėsti.** Antraip galite nusideginti.
9. **Neguldykite prietaiso, kuriame yra vandens.** Išleidimo blokatorius ne visiškai užsandarin vandens. Vanduo gali išsilieti, net jei išleidimo blokatorius įjungtas.
10. **Pastatykite prietaisą taip, kad sienos ar baldai nebūtų veikiami garų.** Kitu atveju gali atsirasti išblukimų, deformacijų arba įtrūkimų.
11. **Virkite tik vandenį. Nevirkite kitų produktų, išskyrus vandenį, pavyzdžiui, pieno, arbatos, sriubos ir pan.** Priešingu atveju turinys gali ištikėti ir sužaloti, prietaisas gali užsiteršti arba sugesti.
12. **Nedėkite į virdulį nieko kito, išskyrus vandenį, pavyzdžiui, butelio, puodelio ir pan.** Priešingu atveju vanduo gali ištikėti ir sužaloti, prietaisas gali užsiteršti arba sugesti.
13. **Iškart po užvirimo neatidarykite dangčio.** Priešingu atveju gali ištykėti verdančio vandens ir nuplūkyti.

ĮSPĖJIMAS: NELEISKITE, kad patogumas ir gaminio pažinimas (gyjamas pakartotinai naudojant) susilpnintų griežtą saugos taisyklių, taikytinų šiam gaminiiui, laikymąsi. Dėl NETINKAMO NAUDOJIMO arba saugos taisyklių, kurios pateiktos šioje instrukcijoje, nesilaikymo galima rimtai susižeisti.

Saugos įspėjimai dėl akumulatorinio prietaiso naudojimo

Akumulatorinio prietaiso naudojimas ir priežiūra

1. **Pasirūpinkite, kad netyčia neįjungtumėte įrankio.** Prieš jungdami prie akumulatoriaus, prieš paimdami ar nešdami prietaisą, visuomet patikrinkite, ar išjungtas jo jungiklis. Nešant prietaisą uždėjus pirštą ant jo jungiklio arba įjungiant įrankį į elektros tinklą, kai jo jungiklis yra įjungtas, gali įvykti nelaimingas atsitikimas.
2. **Prieš atlikdami bet kokius reguliavimo, priedų keitimo arba paruošimo sandėliuoti darbus, atjunkite prietaisą nuo akumulatoriaus.** Tokios atsargumo priemonės sumažina riziką atsitiktinai įjungti prietaisą.

3. Įkraukite naudodami tik gamintojo nurodytą įkroviklį. Įkroviklis, kuris tinka vienam akumuliatorių tipui įkrauti, gali kelti gaisro pavojų, jei bus naudojamas su kitų tipų akumulatoriais.
4. Prietaisus naudokite tik su specialiai jiems skirtais akumulatoriais. Naudojant bet kurį kitą akumuliatorių, gali kilti sužeidimo ir gaisro pavojus.
5. Kai akumuliatorius nėra naudojamas, laikykite jį toliau nuo kitų metalinių daiktų, pavyzdžiui, popieriaus sąvaržėlių, monetų, raktų, vinių, varžtų ir kitų mažų metalinių daiktų, dėl kurių gali kilti trumpasis jungimas tarp kontaktų. Akumuliatorių kontaktų trumpasis jungimas gali būti nudegimų arba gaisro priežastimi.
6. Netinkamai naudojant iš akumulatoriaus gali ištekėti skysčio. Venkite sąlyčio su juo. Jei sąlytis atsitiktinai įvyko, gausiai nuplaukite vandeniu. Jei skysčio pateko į akis, kreipkitės į gydytoją. Iš akumulatoriaus išbėgęs skystis gali sudirginti arba nudeginti odą.
7. Nenaudokite sugedusio ar perdaryto akumulatoriaus arba prietaiso. Sugadinti arba modifikuoti akumulatoriai gali veikti neįprastai, todėl gali kilti gaisras, sprogimas arba sužalojimo rizika.
8. Akumuliatorių ar prietaisų saugokite nuo ugnies ar pernelyg aukštos temperatūros. Dėl ugnies ar 130 °C viršijančios temperatūros gali kilti sprogimas.
9. Laikykitės visų įkrovimo nurodymų ir nekraukite akumulatoriaus ar prietaiso, kai temperatūra neatitinka instrukcijoje nurodyto temperatūros intervalo. Netinkamai įkraunant arba įkraunant esant kitam nei nustatytas temperatūros intervalas, gali būti sugadintas akumuliatorius ar padidėti gaisro rizika.
10. Tegu techninė priežiūra atlieka kvalifikuotas remonto meistras, naudodamas tik identiškas atsargines dalis. Tai užtikrina, kad gaminys liks saugus naudoti.
11. Nemodifikuokite ar nebandykite remontuoti prietaiso arba akumuliatoriaus, jei tai nėra nurodyta naudojimo ir priežiūros instrukcijose.

Svarbios saugos instrukcijos, taikomos akumulatoriaus kasetei

1. Prieš naudodami akumulatoriaus kasetę, perskaitykite visas instrukcijas ir perspėjimus ant (1) akumuliatorių įkroviklio, (2) akumuliatorių ir (3) akumuliatorių naudojančio gaminio.
2. Neardykite ar nekeiskite akumulatoriaus kasetės. Dėl to ji gali užsidegti, per daug įkaisti arba sprogti.
3. Jei įrankio darbo laikas žymiai sutrumpėjo, nedelsdami nutraukite darbą su įrankiu. Tai gali kelti perkaitimą, nudegimų ar net sprogdimo pavojų.
4. Jei elektrolitas pateko į akis, plaukite jas tyru vandeniu ir nedelsdami kreipkitės į gydytoją. Gali kilti regėjimo praradimo pavojus.
5. Neužtrumpinkite akumulatoriaus kasetės:
 - (1) Nelieskite kontaktų degiomis medžiagomis.
 - (2) Venkite laikyti akumulatoriaus kasetę kartu su kitais metaliniais daiktais, pavyzdžiui, vinimis, monetomis ir pan.
 - (3) Saugokite akumulatoriaus kasetę nuo vandens ir lietaus.

- Trumpasis jungimas akumuliatoriuje gali sukelti stiprią srovę, perkaitimą, galimus nudegimus ar net akumulatoriaus gedimą.
6. Nelaikykite ir nenaudokite prietaiso ir akumulatoriaus kasetės vietose, kur temperatūra gali pasiekti ar viršyti 50 °C (122 °F).
7. Nedeginkite akumulatoriaus kasetės, net jei yra stipriai pažeista ar visiškai susidėvėjusi. Ugnyje akumulatoriaus kasetė gali sprogti.
8. Akumulatoriaus kasetės nekalkite, nepjaustykite ir nemėtykite, į ją netrunkykite kietu daiktu. Taip elgiantis, ji gali užsidegti, per daug įkaisti arba sprogti.
9. Nenaudokite pažeisto akumulatoriaus.
10. Įdėtomis ličio jonų akumulatoriams taikomi Pavojaingų prekių teisės akto reikalavimai. Komercinis transportas, pvz., trečiųjų šalių, prekių vežimo atstovų, turi laikytis specialaus reikalavimo ant pakuotės ir ženklavimo. Norėdami paruošti siųstiną prekę, pasitarkite su pavojaingų medžiagų specialistu. Be to, laikykitės galimai išsamesnių nacionalinių reglamentų. Užklijuokite juosta arba padenkite atvirus kontaktus ir supakuokite akumuliatorių taip, kad ji pakuo-tėje nejudėtų.
11. Kai išmetate akumulatoriaus kasetę, išimkite ją iš prietaiso ir išmeskite saugioje vietoje. Vadovaukitės vietos reglamentais dėl akumuliatorių išmetimo.
12. Baterijas naudokite tik su „Makita“ nurodytais gaminiais. Baterijas įdėjus į netinkamus gaminius gali kilti gaisras, gaminys pernelyg įkaisti, kilti sprogimas arba pratekėti elektrolitas.
13. Jei prietaisus bus ilgą laiką nenaudojamas, iš jo būtina išimti akumuliatorių.
14. Darbo metu ir po darbo akumulatoriaus kasetė gali būti įkaitusi ir dėl to nudeginti. Imdami akumulatoriaus kasetes, būkite atsargūs.
15. Tuojau pat po naudojimo nelieskite prietaiso, nes jis gali būti įkaitęs tiek, kad nudegins.
16. Neleiskite, kad į akumulatoriaus kasetės gnybtus, angas ir griovelius patektų drožlių, dulkių ar žemių. Dėl to prietaiso akumulatoriaus kasetė gali imti prastai veikti ar sugesti.
17. Jeigu prietaisas nėra pritaikytas naudoti šalia aukštos įtampos elektros linijų, akumulatoriaus kasetės nenaudokite šalia aukštos įtampos elektros linijų. Dėl to prietaiso ar akumulatoriaus kasetės veikimas gali sutrikti arba jie gali sugesti.
18. Laikykite akumuliatorių vaikams nepasiekiamoje vietoje.

SAUGOKITE ŠIAS INSTRUKCIJAS.

▲PERSPĖJIMAS: Naudokite tik originalų „Makita“ akumuliatorių. Neoriginalaus „Makita“ arba pakeisto akumulatoriaus naudojimas gali nulemti gaisrą, asmens sužalojimą ir pažeidimą. Tai taip pat panaikina „Makita“ suteikiamą „Makita“ prietaiso ir įkroviklio garantiją.

Patarimai, ką daryti, kad akumuliatoriaus veikimą užtikrintumėte ilgiau

1. Įkraukite akumuliatoriaus kasetę prieš jai visiškai išsikraunant. Visuomet nustokite naudoti prietaisą ir pakraukite akumuliatoriaus kasetę, kai pastebite, kad prietaiso galia sumažėjo.
2. Niekada nekraukite iki galo įkrautos akumuliatoriaus kasetės. Perkraunant trumpėja akumuliatoriaus eksploatacijos laikas.
3. Akumuliatoriaus kasetę kraukite esant kambario temperatūrai 10 - 40 °C. Prieš pradėdami krauti, leiskite įkaitusiai akumuliatoriaus kasetei atvėsti.
4. Kai akumuliatoriaus kasetės nenaudojate, ją išimkite iš prietaiso ar įkroviklio.
5. Įkraukite akumuliatoriaus kasetę, jei jos nenaudojate ilgą laiką (ilgiau nei šešis mėnesius).

DALIŲ APRAŠYMAS

Virdulys

► Pav.1

1	Snapelis	2	Dangtelis
3	Išleidimo blokavimo mygtukas	4	Dangtelio atidarymo mygtukas
5	Rankena	6	Didžiausio kiekio linija
7	Vandens tūrio skalė	8	Maitinimo jungtis (apatinė pusė)
9	Temperatūros jutiklis	-	-

Maitinimo stovas

► Pav.2

10	Nešti skirta rankena	11	Maitinimo jungtis
12	Maitinimo jungtiklis	13	Akumuliatoriaus kasetė
14	Temperatūros jutiklis	15	Įžeminimo elementas

VEIKIMO APRAŠYMAS

▲ PERSPĖJIMAS: Prieš pradėdami reguliuoti prietaisą arba tikrinti jo veikimą, visuomet būtinai išjunkite prietaisą ir išimkite akumuliatoriaus kasetę.

Akumuliatoriaus kasetės uždėjimas ir nuėmimas

▲ PERSPĖJIMAS: Prieš įdėdami arba išimdami akumuliatoriaus kasetę, visada išjunkite prietaisą.

▲ PERSPĖJIMAS: Įdėdami arba išimdami akumuliatoriaus kasetę, tvirtai laikykite prietaisą ir akumuliatoriaus kasetę. Jeigu prietaisą ir akumuliatoriaus kasetę laikysite netvirtai, jie gali išslysti iš jūsų rankų, todėl prietaisas ir akumuliatoriaus kasetė gali būti sugadinti, o naudotojas sužalotas.

Jei norite išimti akumuliatoriaus kasetę, ištraukite ją iš prietaiso, stumdami mygtuką, esantį kasetės priekyje.

Jei norite įdėti akumuliatoriaus kasetę, sulygiuokite liežuvėlį ant akumuliatoriaus kasetės su grioveliu korpuso ir įstumkite į jai skirtą vietą. Įdėkite iki galo, kol spragtelėdama užsikfiksuos. Jeigu matote raudoną sandariklį (indikatorių) viršutinėje mygtuko pusėje, ji nėra visiškai užfiksuota.

► **Pav.3:** 1. Raudonas sandariklis (indikatorius) 2. Mygtukas 3. Akumuliatoriaus kasetė

▲ PERSPĖJIMAS: Akumuliatoriaus kasetę visada įkiškite iki galo, kol nebematysite raudono sandariklio (indikatoriaus) Priešingu atveju ji gali atsitiktinai iškristi iš įrankio ir sužeisti jus arba aplinkinius.

▲ PERSPĖJIMAS: Nekiškite akumuliatoriaus kasetės įėga. Jeigu kasetė sunkiai lenda, ją kišate netinkamai.




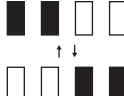
PASTABA: Galima įdėti iki dviejų akumuliatoriaus kasečių, tačiau prietaisui maitinti naudojama tik viena akumuliatoriaus kasetė.

Likusios akumuliatoriaus galios rodymas

Paspauskite akumuliatoriaus kasetės tikrinimo mygtuką, kad būtų rodoma likusi akumuliatoriaus energija. Maždaug trims sekundėms užsidegs indikatorių lemputės.

► **Pav.4:** 1. Indikatorių lemputės 2. Tikrinimo mygtukas

Indikatorių lemputės			Likusi galia
Šviečia	Nešviečia	Blyksi	
			75 - 100 %
			50 - 75 %
			25 - 50 %
			0 - 25 %
			Įkraukite akumuliatorių.

Indikatorių lemputės			Likusi galia
			
Šviečia	Nešviečia	Blyksi	Galimai įvyko akumulatoriaus veikimo triktis.
			

PASTABA: Rodmuo gali šiek tiek skirtis nuo faktinės energijos lygio – tai priklauso nuo naudojimo sąlygų ir aplinkos temperatūros.

PASTABA: Veikiant akumulatoriaus apsaugos sistemai ims mirksėti pirmoji (toliausiai kairėje) indikatoriaus lemputė.

Prietaiso / akumulatoriaus apsaugos sistema

Prietaise ir akumulatoriuje įrengta apsaugos sistema. Ši sistema automatiškai atjungia variklio maitinimą, kad prietaisas ir akumulatorius ilgiau veiktų. Prietaisas automatiškai išsijungs darbu metu susidarius vienai iš toliau nurodytų prietaiso arba akumulatoriaus darbo sąlygų.

- Apsauga nuo perkrovos. Kai prietaisas ar akumulatorius naudojamas taip, kad neįprastai padidėja naudojama elektros srovė, jis automatiškai sustoja be jokių indikacijų. Tokiu atveju išjunkite prietaisą ir nutraukite darbą, dėl kurio kilo prietaiso perkrova. Tada vėl įjunkite prietaisą.
- Apsauga nuo perkaitimo. Kai prietaisas ar akumulatorius perkaista, prietaisas automatiškai sustabdomas. Palaukite, kol prietaisas atvės, prieš vėl jį įjungdami.
- Apsauga nuo visiško išsekimo. Kai likusi akumulatoriaus galia tampa per maža, prietaisas automatiškai sustoja. Jeigu prietaisas neveikia net ir spaudžiant jungiklius, išimkite akumulatoriaus kasetę iš prietaiso ir įkraukite.

Apsauga nuo kitų sutrikimų

Apsaugos sistema taip pat apsaugo nuo kitų sutrikimų, galinčių pažeisti prietaisą, todėl automatiškai jį išjungia. Prietaisui laikinai sustojus arba veikimo metu išsijungus, imkitės visų toliau nurodytų veiksmų ir pašalinkite sutrikimo priežastis.

1. Išjunkite prietaisą, tada vėl įjunkite, kad paleistumėte iš naujo.
2. Įkraukite akumulatorių (-ius) arba jį (juos) pakeiskite įkrautu (-ais) akumulatoriumi (-iais).
3. Palaukite, kol prietaisas ir akumulatorius (-iai) atvės.

Jei atstačius apsaugos sistemą veikimas nepagerėja, kreipkitės į vietos „Makita“ techninės priežiūros centrą.

Prietaiso naudojimas su laidu prijungiamu maitinimo šaltiniu

Prieš naudodami laidu prijungiamą maitinimo šaltinį, perskaitykite instrukciją ir ant jo pateiktus perspėjimus.

ĮSPĖJIMAS: Kai naudojate prietaisą su laidu prijungiamu maitinimo šaltiniu, padėkite laidu prijungiamą maitinimo šaltinį ant stabiliaus paviršiaus. Prietaisas naudojamas jį pastačius į statinę padėtį. Naudojant laidu prijungiamą maitinimo šaltinį, kurį nešiojate ant nugaros, jis gali nukristi ir sužaloti.

NAUDOJIMAS

Pasiruošimas

Naudodami prietaisą pirmą kartą arba po ilgo laikymo, atlikite šiuos veiksmus.

1. Nuimkite nuo prietaiso visas pakavimo medžiagas.
2. Išvalykite virdulio vidų ir filtrą. Ant jų gali būti nešvarumų, pavyzdžiui, dulkių.

Kaip valyti, žr. skyrių „TECHNINĖ PRIEŽIŪRA“.

Vandens virimas

ĮSPĖJIMAS: Virkite tik vandenį. Nevirkite kitų produktų, išskyrus vandenį.

ĮSPĖJIMAS: Nestatykite prietaiso ant nestabilių vietos, kur dažnai praeina žmonės, arba ten, kur gali pasiekti vaikai. Priešingu atveju prietaisas gali atsitiktinai apvirsti ir sužaloti.

ĮSPĖJIMAS: Uždarydami tvirtai paspauskite dangtelį ir išleidimo blokavimo mygtuką nustatykite į užrakintą padėtį. Priešingu atveju, nukritus galima nusideginti.

1. Atidarykite dangtelį paspausdami abu dangtelio atidarymo mygtukus.
2. Į virdulį įpilkite pageidaujama kiekį šviežio vėsaus vandens. Tada uždarykite dangtelį.

ĮSPĖJIMAS. Patikrinkite, ar išleidimo blokavimo mygtukas yra nustatytas į užblokuotą padėtį. Priešingu atveju užviręs vanduo gali netyčia išsilieti ir sukelti nudegimus.

ĮSPĖJIMAS. Nepilkite vandens daugiau nei iki didžiausio kiekio linijos. Priešingu atveju užviręs vanduo gali ištikšti ir sukelti nudegimus.

PRANEŠIMAS. Nejunkite prietaiso be vandens.

Priešingu atveju gali atsirasti spalvos pakitimų arba gedimų.

► **Pav.5**

3. Pastatykite virdulį ant maitinimo stovo.

► **Pav.6**

4. Paspauskite maitinimo jungiklį.

Maitinimo jungiklis užsidega oranžine spalva, pasigirsta vienas garsinis signalas, tada prasideda virimas.

► **Pav.7:** 1. Maitinimo jungiklis

ĮSPĖJIMAS. Užtikrinkite, kad būtų uždarytas dangtelis. Priešingu atveju gali išsiveržti daug garo ir ką nors nudeginti.

ĮSPĖJIMAS. Užtikrinkite, kad būtų užrakintas išleidimo blokavimo mygtukas. Priešingu atveju gali išsiveržti daug garo ir ką nors nudeginti.

ĮSPĖJIMAS. Nelieskite garų. Kyla nudegimo pavojus.

► **Pav.8**

▲PERSPĒJIMAS. Verdant arba praėjus kuriam laikui po užvirimo nelieskite ▲ srities aplink ženklą ir paveikslėlyje esančios metalinės dalies. Kyla nudegimo pavojus.

► **Pav.9:** 1. Metalinė dalis gali būti labai karšta

PASTABA. Jei paspausite maitinimo jungiklį iškart po virimo, prietaisas gali neveikti dėl apsaugos nuo aukštos temperatūros. Tokiu atveju leiskite prietaisui atvėsti ir vėl paspauskite maitinimo jungiklį.

Baigus virti, prietaisas išsijungia automatiškai, kelias sekundes skambant garsiniam signalui.

PASTABA. Kai virimo metu pakeliate virduklį arba maitinimo stovą, prietaisas nustoja virti, o maitinimo jungiklis mirksi oranžine spalva.

— Jei grąžinsite virduklį arba maitinimo stovą į vietą, kol mirksi maitinimo jungiklis, prietaisas vėl pradės automatiškai virti.

— Praėjus kelioms sekundėms po to, kai pakelsite virduklį arba maitinimo stovą, prietaisas išsijungs.

PASTABA. Kai verdant išsikrauna akumuliatorius, prietaisas išsijungia, o maitinimo jungiklis kelias sekundes mirksi raudonai, pasigirsta trys garsiniai signalai.

PASTABA. Jei įjungsite prietaisą, kai visi akumuliatoriai bus išsekę, prietaisas per kelias sekundes išsijungs ir vieną kartą supypsės.

5. Pakelkite virduklį laikydami už maitinimo stovo rankenas.

► **Pav.10**

6. Išpilkite vandenį.

▲PERSPĒJIMAS. Būkite atsargūs, kad nenusidegintumėte pildami virintą vandenį.

Siekiant išvengti atsitiktinio vandens išsiliejimo, tam yra skirtas išleidimo blokavimo mygtukas. Norėdami išpilti vandenį, paspauskite išleidimo blokavimo mygtuką.

► **Pav.11**

Nešimas

▲JSPĒJIMAS: Nenešiokite virdulio su maitinimo stovu, kai vanduo šildomas arba virduolyje yra užvirinto vandens. Priešingu atveju jam nukritus galima nusideginti.

Nešdami prietaisą laikykite už nešiojimo rankenos.

TECHNINĖ PRIEŽIŪRA

▲JSPĒJIMAS: Visas dalis būtina pakeisti įgaliojame techninės priežiūros centre.

▲PERSPĒJIMAS: Visuomet įsitikinkite, kad prietaisas yra išjungtas, atjungtas, o akumuliatoriaus kasėtė yra nuimta, prieš atlikdami apžiūrą ir techninę priežiūrą.

▲PERSPĒJIMAS: Išpylę verdantį vandenį iš virduolio, prietaiso iškart nelieskite. Palaukite, kol virdulys visiškai atvės. Kitaip galite nusideginti.

▲PERSPĒJIMAS: Prieš mėgindami atlikti apžiūros ar techninės priežiūros darbus, patikrinkite, ar virdulys tuščias. Antraip gali įvykti nelaimingų atsitikimų.

► **Pav.12**

PASTABA: Niekada nenaudokite gazolino, benzino, tirpiklio, spirito arba panašių medžiagų. Gali atsirasti išblukimų, deformacijų arba įtrūkimų.

PASTABA: Nenaudokite indaplovės, indų džiovintuvų ar plaukų džiovintuvo.

PASTABA: Nenaudokite šveičiamųjų miltelių, baliklio, valiklio, metalinio šveitimo šepetėlio, šveitimo šepetėlio su cheminėmis medžiagomis ir pan.

PASTABA: Neplaukite virduolio ir maitinimo stovo. Nesušlapinkite maitinimo jungties.

► **Pav.13**

Kad gaminyt būtų SAUGUS ir PATIKIMAS, jį taisyti, apžiūrėti ar vykdyti bet kokią kitą priežiūrą ar derinimą turi įgaliojatis kompanijos „Makita“ techninės priežiūros centras; reikia naudoti tik kompanijos „Makita“ pagamintas atsargines dalis.

Valymas

Prietaiso išorė

Atvėsus prietaisui, švaria šluoste nuvalykite prietaiso išorę. Jei prietaisas labai nešvarus, naudokite muiluotame vandenyje sudrėkintą šluostę. Tuomet nušluostykite vandenį sausa šluoste.

► **Pav.14**

Virduolio vidus

Nuimkite dangtelį, ištraukdami jį iš virduolio, kaip parodyta paveikslėlyje.

► **Pav.15**

Vidų gerai išplaukite vandeniu, tada išdžiovinkite.

Filtras

Išimkite filtrą, ištraukdami jį iš dangtelio, kaip parodyta paveikslėlyje. Išplaukite filtrą ir jį išdžiovinkite.

► **Pav.16:** 1. Filtras

Jeigu norite filtrą ir dangtelį įdėti, atlikite nuėmimo veiksmus atvirkščia eilės tvarka.

Apnašų šalinimas virduolio viduje

Naudojant prietaisą virduolio viduje susidaro vandens apnašų. Dėl vandens apnašų virimas tampa neefektyvus. Jei vandens apnašos tampa pastebimos, virduolio vidų išvalykite citrinos rūgštimi.

1. Atidarykite dangtelį ir nuimkite filtrą nuo dangtelio.
2. Į virduklį įpilkite vandens iki didžiausio kiekio linijos.
3. Į vandenį įpilkite 40 g (1,4 unc.) citrinos rūgšties ir išmaišykite. Tada uždarykite dangtelį.
4. Pastatykite virduklį ant maitinimo stovo.

5. Paspauskite maitinimo jungiklį.
 6. Baigę virti, virdulį palikite maždaug 1 valandai.
 7. Išpilkite vandenį ir išplaukite virduolio vidų vandeniu.
 8. Jei jaučiate citrinos rūgšties skonį ar kvapą, virkite tik vandenį ir jį išpilkite.
- Jei nešvarumus sunku pašalinti, pakartokite 2–7 veiksmus.
9. Nusausinkite virdulį ir įdėkite filtrą ant dangtelio.

Sandėliavimas

Norėdami išvengti gaisro ar nudegimų, prieš dėdami sandėliuoti palaukite, kol prietaisas visiškai atvės. Nelaikykite išsikrovusio akumuliatoriaus ilgą laiką, kadangi gali sutrumpėti jo naudojimo laikas.

GEDIMŲ ŠALINIMAS

Prieš kreipdamiesi dėl remonto darbų, pirmiausia patikrinkite gedimus patys. Jeigu susidursite su problema, kuri nėra paaiškinta vadove, nemėginkite išrinkti mašinos. Verčiau kreipkitės į įgaliotuosius „Makita“ techninės priežiūros centrus, kuriuose remontui visuomet naudojamos „Makita“ pakaitinės dalys.

Požymis	Galima priežastis	Ištaisomoji priemonė
Neveikia.	Netinkamai įdėtos akumuliatoriaus kasetės.	Akumuliatoriaus kasetes įdėkite taip, kaip aprašyta šiame vadove.
	Akumuliatoriaus kasetės yra išseiktos.	Įkraukite akumuliatoriaus kasetes.
Iškart po įjungimo prietaisas išsijungia pyptelėdamas.	Temperatūros jutiklis nustato aukštą temperatūrą, nes maitinimo jungiklis buvo nuspaustas iškart po užvirimo.	Palikite prietaisą išjungtą kelioms minutėms, kad prietaisas atvėstų.
Iškart po įjungimo prietaisas išsijungia, o maitinimo jungiklis mirksi oranžine spalva.	Temperatūros jutiklio gnybtas yra nešvarus.	Nuvalykite nešvarumus nuo temperatūros jutiklio sausa šluoste.
	Maitinimo stovas pakreiptas arba pastatytas ant nestabilaus paviršiaus.	Padėkite prietaisą ant stabilaus, lygaus ir plokščio paviršiaus.
Nors virimo procedūra nesibaigė, prietaisas po kelių sekundžių nuo pyptelėjimo išsijungia, tarsi virimas būtų pasibaigęs.	Temperatūros jutiklio gnybtas yra nešvarus.	Nuvalykite nešvarumus nuo temperatūros jutiklio sausa šluoste.
	Virduolis tinkamai nekontaktuoja su maitinimo stovu, kadangi tarp virduolio ir maitinimo stovo pateko dulkių ar pan.	Pašalinkite dulkes nuo virduolio dugno arba maitinimo stovo.
Maitinimo jungiklis nenustoja mirksėti raudonai. (Maitinimo jungiklis išsijungia maždaug po 10 minučių.)	Maitinimo jungtis ant virduolio ir (arba) maitinimo stovo yra nešvari.	Išimkite akumuliatorių ir sausa šluoste nuvalykite nešvarumus nuo maitinimo jungties.
	Vanduo išsilieja, kai viršija aukščiausio lygio liniją.	Sumažinkite vandens kiekį, kad būtų žemiau didžiausio kiekio linijos.
Verdamas vanduo išsilieja.	Į virdulį pripilta kitų produktų, o ne vandens.	Nevirškite kitų produktų, tik vandenį.
	Verdamas vanduo skleidžia nemalonų kvapą.	Vandentiekio vandenyje esantis chloras gali skleisti kvapą. Dervų kvapas vos išpakavus išnyks laikui bėgant.
Verdamas vanduo išsilieja ant maitinimo stovo.	Dėl virinto vandens garų ant prietaiso gali susidaryti kondensatas.	
Virintas vanduo išteka, kai virdulys pakreipiamas.	Ant snapelio yra anga. Net jei dangtelio atidarymo mygtukas yra nustatytas į užrakintą padėtį, vanduo išteka, kai virdulys pakreipiamas.	

PASIRENKAMI PRIEDAI

⚠ PERSPĖJIMAS: Šiuos priedus arba įtaisus rekomenduojama naudoti su šioje instrukcijoje nurodytu „Makita“ bendrovės prietaisu. Naudojant bet kokius kitus priedus arba įtaisus, gali kilti pavojus sužeisti žmones. Naudokite tik nurodytam tikslui skirtus papildomus priedus arba įtaisus.

Jeigu norite daugiau sužinoti apie tuos priedus, kreipkitės į artimiausią „Makita“ techninės priežiūros centrą.

- Originalus „Makita“ akumuliatorius ir „Makita“ patvirtintas įkroviklis

PASTABA: Kai kurie sąrašė esantys priedai gali būti pateikti įrankio pakuotėje kaip standartiniai priedai. Jie įvairiose šalyse gali skirtis.

HOIATUS

- Euroopa kasutajad.
Seda seadet võivad kasutada 8-aastased ja vanemad lapsed, juhul kui nad on järelevalve all või kui neid on õpetatud seadet ohutult kasutama ja nad mõistavad seadme kasutamise kaasnevaid ohtusid. Puhastust ja kasutajapoolset hooldust tohivad teha üle 8 aasta vanused lapsed, keda juhendatakse. Hoidke seadet ja selle juhete alla 8-aastastele lastele kättesaamatus kohas.
Seadmeid võivad kasutada füüsiliste, sensoorsete või vaimsete puuetega või puudulike kogemuste ja teadmistega isikud, juhul kui nad on järelevalve all või kui neid on õpetatud seadet ohutult kasutama ja nad mõistavad seadme kasutamise kaasnevaid ohtusid.
Lapsed ei tohi seadmega mängida.
- Kasutajad väljaspool Euroopat.
Seda seadet ei ole tohi kasutada isikud (sh lapsed), kelle füüsilised, sensoorsed või vaimsed võimed on piiratud või kellele puuduvad piisavad kogemused või teadmised seadme kasutamise kohta, v.a juhul, kui nende ohutuse eest vastutav isik neid juhendab või jälgib. Lapsi tuleb jälgida, et nad seadmega ei mängiks.
- Üksikasjalikku teavet hooldamise ajal järgitavate ettevaatusabinõude kohta leiate peatükist „HOOLDUS”.
- Seadmes kasutatava aku tüübi leiate peatükist „TEHNILISED ANDMED”.
- Aku paigaldamise või eemaldamise juhised leiate jaotisest „Akukasseti paigaldamine või eemaldamine”.
- Kasutuskõlbmatuks muutunud akukasseti kõrvaldamiseks eemaldage see tööriistast ja viige selleks ette nähtud kohta. Järgige kasutuskõlbmatuks muutunud aku kõrvaldamisel kohalikke eeskirju.
- Kui tööriista ei kasutata pika ajaperioodi jooksul, tuleb aku tööriistast eemaldada.
- Ärge tekitage akukasseti lühist.
- See seade on ette nähtud kasutamiseks kodumajapidamistes ja muudes sarnastes kohtades, näiteks:
 - töötajate kööginurgad kauplustes, kontorites ja muudes töokeskkondades;
 - talumajad;
 - klientide poolt hotellides, motellides ja muudes elamutüüpi keskkondades;
 - kodumajutuse tüüpi keskkondades.
- Tulekahju ja elektrilöögi vältimiseks ärge kastke seadet ja akut vette ega mõnda muusse vedelikku.
- Ärge pange seadmesse üleliia vett. Keedetud vesi võib välja paiskuda ja põhjustada põletusvigastusi.
- HOIATUS! Ärge eemaldage kaant vee keemise ajal.
- See on akuga töötav seade, akut laaditakse väljaspool seadet.
- Laaditavad akud tuleb enne laadimist seadmest eemaldada.
- Akud tuleb sisestada õige polaarsusega.
- Tühjad akud tuleb seadmest eemaldada ja turvaliselt kõrvaldada.
- Vältige vedeliku sattumist toiteallika pistikutele või aku klemmidele.
- See seade on veekeetja vee keetmiseks ja selle väärkasutamine võib põhjustada vigastusi.

TEHNILISED ANDMED

Mudel:	KT001G
Nimipinge	Alaivool 36 V – 40 V max
Mahutavus	0,8 l
Mõõtmed (P x L x K)	235 mm x 322 mm x 307 mm (ilma akukassetita)
Netokaal *1 (Veekeetja ja toiteallika kombineeritud väärtus)	2,8 - 5,9 kg (koos akudega)
Netokaal (Ainult veekeetja)	1,0 kg
Netokaal (Ainult toiteallikas)	1,1 kg (ilma akukassetita)
Hinnanguline keemisaeg *2	u 8 min (keetes 0,8 l 23 °C vett ja ümbritsev temperatuur on 23 °C)

*1 Veekeetja, toiteallika ja akude väiksem ja raskem kombineeritud kaal on toodud tabelis.

*2 Väärtused võivad erineda olenevalt akutüübist, laadimisolekust ja kasutustingimustest.

- Meie pideva uuringu- ja arendusprogrammi tõttu võidakse tehnilisi andmeid muuta ilma sellest ette teatamata.
- Tehnilised andmed võivad riigiti erineda.

Keedetava vee kogus

Akukassett (täis laetud)	Keedetava vee kogus*
BL4020 x 2	1,1 l
BL4025 x 2	1,2 l
BL4040 x 2	2,2 l
BL4050F x 2	3,0 l
BL4080F x 2	4,9 l
PDC1200	11,4 l

* Keetes 23 °C vett ja ümbritsev temperatuur on 23 °C

MÄRKUS: Kogused on ligikaudsed ning võivad erineda olenevalt aku tüübist, laadimise olekust ja kasutustingimustest.
MÄRKUS: Vee kogus, mida saab keeta ühe akuga, on umbes pool kahe akuga keedetava vee kogusest.

Sobiv akukassett ja laadija

Akukassett	BL4020 / BL4025 / BL4040 / BL4050F / BL4080F
Laadija	DC40RA / DC40RB / DC40RC

- Mõned eespool loetletud akukassetid ja -laadijad ei pruugi olla teie riigis saadaval.

⚠ HOIATUS: Kasutage ainult ülalpool loetletud akukasseite ja laadureid. Muude akukassetide ja laadurite kasutamine võib tekitada vigastusi ja/või tulekahju.

Soovitatud juhtmega ühendatav toiteallikas

Portatiivne akukomplekt	PDC1200
-------------------------	---------

- Ülalpool loetletud juhtmega ühendatud akukomplekt(id) ei pruugi teie elukoha piirkonnast sõltuvalt saadaval olla.
- Enne juhtmega ühendatava akukomplekti kasutamist lugege neil olevaid juhiseid ja ettevaatusabinõusid.

Sümbolid

Alljärgnevalt kirjeldatakse tingimärke, mida võidakse seadmetel kasutada. Enne seadme kasutamist tehke endale selgeks nende tähendus.



Lugege juhendit.



Hoiatus! Kuum pind. Põletuste oht. Ärge puutuge enne, kui on jahtunud.



Sellele tootele sobiva aku näide.



Ainult EL-i riikide puhul
Seadmes sisalduvate ohtlike osade tõttu võivad elektri- ja elektroonikaseadmete jäätmel, akud ja patareid avaldada negatiivset mõju keskkonnale ja inimeste tervisele.
Elektri- ja elektroonikaseadmeid ega akusid ei tohi kõrvaldada koos olmejäätmetega!
Euroopa elektri- ja elektroonikaseadmete jäätmel, akude ja patareide ning nende jäätmel direktiivi ja riiklikku õigusesse ülevõtmise kohaselt tuleb elektri- ja elektroonikaseadmete, akude ja patareide jäätmel koguda eraldi ning viia eraldiseisvasse olmejäätmete kogumispunkti, mis tegutseb kooskõlas keskkonnakaitse eeskirjadega. Sellele osutab seadmele paigaldatud läbikriipsutatud ratasestega prügikasti sümbol.



Ainult Euroopa riigid
Toote nõuetekohane kõrvaldamine
See märgistus tähendab, et seda toodet ei tohi ELis ära visata koos majapidamisprügiga. Kontrollimatust jäätmel kõrvaldamisest põhjustatud võimalike kahjude vältimiseks keskkonnale või inimeste tervisele käidelda seda vastutustundlikult, et edendada jätkusuutlikku materiaalse ressursside taaskasutamist. Kasutatud seadme tagastamiseks kasutage palun tagastamis- ja kogumissüsteeme või võtke ühendust jaemüüjaga, kellelt toote ositsite. Nemad saavad viia toote keskkonnanõuetekohasusse jäätmekäitlusesse.
Seadmes sisalduvate ohtlike osade tõttu võivad kasutatud elektri- ja elektroonikaseadmed avaldada negatiivset mõju keskkonnale ja inimeste tervisele.

Kavandatud kasutus

Seade on mõeldud vee keetmiseks.

OHUTUSHOIATUSED

Juhtmeta veekeetja ohutusnõuded

⚠ HOIATUS: ÄÄRMISELT OLULINE ON ENNE KASUTAMIST lugeda tähelepanelikult läbi kõik ohutusohiatused ja juhised. Hoiatuste ja juhtnõuete mittejärgmine võib põhjustada elektrišokki, tulekahju ja/või tõsiselt vigastusi.

1. **Ärge kasutage tootja poolt mitte soovitatud tarvikuid.** Vastasel juhul võib juhtuda ootamatusi.
2. **Ärge puudutage kuumi pindu.** Kasutamisel võivad pinnad kuumeneda.
3. **Ärge kasutage seadet plahvatusohtlikus keskkonnas.** Muidu võib tagajärjeks olla põletus või tulekahju.
4. **Ärge kasutage seadet soojusallikate (ahjude jms) läheduses.**
5. **Ärge kasutage seadet niiskes või märjas keskkonnas ega jätke seda vihma kätte.** Muidu võib vesi seadmesse sattuda ning põhjustada elektrilöögi.
6. **Asetage seade tasasele stabiilele pinnale.**
7. **Ärge katke keetmise ajal tila.** Aur ei pääse välja ja see võib põhjustada rikke või vigastusi.
8. **Enne seadme puhastamist laske jahtuda.** Muidu võib tekkida põletusvigastusi.
9. **Olge ettevaatlik ja ärge pange vett sisaldavat seadet maha.** Tühjenduslukk ei sulge vett täielikult. Vesi võib välja voolata, isegi kui tühjenduslukk on aktiveeritud.
10. **Asetage seade nii, et seinad ega mööbel ei puutuks kokku auruga.** Vastasel juhul võib tekkida luitumine, deformatsioon või pragunemine.
11. **Keetke ainult vett. Ärge keetke muud kui vett, näiteks piima, teed või suppi jne.** Vastasel juhul võib sisu välja paiskuda ja põhjustada vigastusi või seade määrdua või ilmneda talitlushäireid.
12. **Ärge pange veekeetjasse muud kui vett, näiteks pudelit või tassi jne.** Vastasel juhul võib vesi välja paiskuda ja põhjustada vigastusi või seade määrdua või ilmneda talitlushäireid.
13. **Ärge avage kaant kohe pärast keetmist.** Muidu võib keev vesi maha tilkuda ja põletusi tekitada.

⚠ HOIATUS: ÄRGE UNUSTAGE järgida toote ohutusnõudeid mugavuse või toote (kordkasutamise)ga saavutatud hea tundmise tõttu. VALE KASUTUS või kasutusjuhendi ohutuseeskirjade eiramine võib põhjustada tervisekahjustusi.

Ohutushoiatused akuga töötavale seadmele

Akuga töötava seadme kasutamine ja hooldus

1. **Vältige tahtmatut käivitamist.** Veenduge, et lüliti on enne akukomplekti ühendamist, seadme tõstmist või kandmist väljalülitatud asendis. Seadme kandmine, hoides näppu lülilil, või seadme vooluvõrku ühendamine, kui lüliti on sisselülitatud asendis, võib kaasa tuua õnnetusi.
2. **Enne seadme kohandamist, lisatarvikute vahetamist või hoiendamist eemaldage akukomplekt seadme küljest.** Sellised ennetusabinõud vähendavad seadme juhusliku käivitamise ohtu.
3. **Laadige alati laadijaga, mille tootja on heaks kiitnud.** Laadija, mis sobib kasutamiseks ühte tüüpi akuga, võib kaasa tuua tulekahjuohtu, kui seda kasutada koos mõnda teist tüüpi akuga.
4. **Kasutage seadmeid üksnes spetsiaalselt neile ette nähtud akudega.** Muude akude kasutamisega võib kaasna kehavigastuste ja tulekahju oht.

5. Kui akut ei kasutata, ärge hoidke seda koos muude metallsemetega, nagu kirjaklambrid, mündid, võtmed, naelad, kruvid jm väiksed metallsemed, mis võivad tekitada ühenduse klemmide vahel. Akuklemmide lühis võib põhjustada põletusi ja tulekahjuohtu.
6. Väärkasutamise tagajärjel võib akut valguda välja vedelikku; ärge seda puudutage. Kui olete selle vedelikuga siiski kogemata kokku puutunud, uhtke kohta veega. Kui vedelik on sattunud silma, minge arsti juurde. Akust väljalagnud vedelik võib põhjustada ärritust ja põletusi.
7. Ärge kasutage akut ega seadet, mis on kahjustunud või mida on modifitseeritud. Kahjustunud või modifitseeritud akude talitus võib olla etteaimamatu, millega võib kaasneda tulekahju, plahvatuse või kehavigastuste oht.
8. Jälgige, et aku ega seade ei puutuks kokku lahtise tule või kõrge temperatuuriga. Kokkupuude lahtise tule või temperatuuriga, mis on üle 130 °C, võib kaasa tuua plahvatuse.
9. Järgige kõiki laadimisjuhiseid ja ärge laadige akut ega seadet väljaspool juhendis täpsustatud temperatuurivahemikku. Nõuetele või määratud temperatuuripiirangutele mittevastav laadimine võib kahjustada akut ja suurendada tulekahjuohtu.
10. Laske hooldada kvalifitseeritud remondimehel, kes kasutab vaid identseid asendusosi. Tänu sellele on tagatud toote ohutus.
11. Ärge muutke ega proovige parandada seadet või akut muul viisil kui kasutus- ja hooldusjuhendis osutatud.
8. Ärge naelutage, löigake, muljuge, visake akukasseti ega laske sel kukkuda, samuti ärge lööge sellele pihta kõva esemega. Selline tegevus võib tekitada tulekahju, liigset kuumust või plahvatuse.
9. Ärge kasutage kahjustatud akut.
10. Sisalduvatele liitium-ioonakudele võivad kohalduva ohtlike kaupade õigusaktide nõuded. Kaubanduslikul transportimisel, näiteks kolmandate poolte või transpordiettevõtete poolt, tuleb järgida pakendil ja sihtidel toodud erinõudeid. Transportimiseks ettevalmistamisel on vajalik pidada nõu ohtliku materjali ekspertidega. Samuti tuleb järgida võimalike riiklike regulatsioonide üksikasjalikumaid nõudeid. Katke teibiga või varjake avatud kontaktid ja pakendage aku sellisel, et see ei saaks pakendis liikuda.
11. Kasutuskõlbmatuks muutunud akukasseti kõrvaldamiseks eemaldage see seadmest ja viige selleks ette nähtud kohta. Järgige aku kõrvaldamisel kohalikke eeskirju.
12. Kasutage akusid ainult Makita heaks kiidetud toodetega. Akude paigaldamine selleks mitte ettenähtud toodetele võib põhjustada süttimist, ülemäärast kuumust, plahvatamist või elektrilöödi lekkimist.
13. Kui seadet ei kasutata pika ajaperioodi jooksul, tuleb aku seadmest eemaldada.
14. Kasutamise ajal ja pärast kasutamist võib akukasseti kuumeneda, mis võib põhjustada põletusi või madala temperatuuri põletusi. Olge kuumu akukasseti käsitlemisel ettevaatlik.
15. Ärge puudutage seadme klemmi kohe pärast kasutamist, sest see võib olla kuum ja põhjustada põletusi.
16. Hoidke akukasseti klemmid, avad ja sooned tükikestest, tolmust ja mullast puhtad. Muidu võib seade või akukasseti halvasti töötada või puruneda.
17. Kui seade ei kannata kasutamist kõrgepingeliini lähedal, ärge kasutage akukasseti kõrgepingeliini lähedal. Muidu võib seade või akukasseti puruneda või sellel rike tekkida.
18. Hoidke akut lastele kättesaamatus kohas.

Akukassetiga seotud olulised ohutusjuhised

1. Enne akukasseti kasutamist lugege (1) akulaadiljal, (2) akul ja (3) seadmel olevad juhtnõidid ja hoiatused läbi.
2. Ärge võtke akukasseti lahti ega muutke seda. See võib põhjustada tulekahju, liigset kuumust või plahvatuse.
3. Kui tööaeg järsult lüheneb, siis lõpetage kohe kasutamine. Edasise kasutamise tulemuseks võib olla ülekuumenemisoht, võimalikud põletused või isegi plahvatus.
4. Kui elektrilööti satub silma, siis loputage silma puhta veega ja pöörduge koheselt arsti poole. Selline õnnetus võib põhjustada pimedaksjäämist.
5. Ärge tekitage akukassetis lühis:
 - (1) Ärge puutuge klemme elektrijuhtidega.
 - (2) Ärge hoidke akukasseti tööriistakastis koos metallsemetega, nagu naelad, mündid jne.
 - (3) Ärge tehke akukasseti märjaks ega jätke seda vihma kätte.

Aku lühis võib põhjustada tugevat elektrivoolu, ülekuumenemist, põletusi ning ka seadet tõsiselt kahjustada.

6. Ärge hoidke ega kasutage seadet ja akukasseti kohtades, kus temperatuur võib tõusta üle 50 °C (122 °F).
7. Ärge põletage akukasseti isegi siis, kui see on saanud tõsiselt vigastada või on täiesti kuldunud. Akukasseti võib tules plahvatada.

HOIDKE JUHEND ALLES.

⚠ETTEVAATUST: Kasutage ainult Makita originaalakusid. Muude kui Makita originaalakude või muudetud akude kasutamine võib põhjustada akude süttimise, kehavigastuse ja kahjustuse. Samuti muudab see kehtetuks Makita seadme ja laadija garantii.

Vihjeid aku maksimaalse kasutusaaja tagamise kohta

1. Laadige akukasseti enne selle täieliku tühjenemist. Kui märkate, et seade töötab väiksema võimsusega, peatage töö ja laadige akukasseti.
2. Ärge laadige täielikult laetud akukasseti. Ülelaadimine lühendab akude kasutusiga.
3. Laadige akukasseti toatemperatuuril 10 °C - 40 °C. Enne laadimist laske kuumenenud akukassetil maha jahtuda.
4. Kui te ei kasuta parajasti akukasseti, eemaldage see seadmest või laadijast.
5. Kui te ei kasuta akukasseti kauem kui kuus kuud, laadige see.

OSADE KIRJELDUS

Veekeetja

► Joon.1

1	Tila	2	Kaas
3	Tühjendamise lukustusnupp	4	Kaane avamise nupp
5	Käepide	6	Maksimumtaseme joon
7	Vee koguse skaala	8	Toiteallika konnector (alumisel küljel)
9	Temperatuuriantur	-	-

Toitealus

► Joon.2

10	Kandekäepide	11	Toiteallika konnector
12	Toitelüliti	13	Akukassett
14	Temperatuuriantur	15	Maapinna anduri element

FUNKTSIONAALNE KIRJELDUS

⚠ETTEVAATUST: Kandke alati hoolt selle eest, et seade oleks enne reguleerimist ja kontrollimist välja lülitatud ning akukassett eemaldatud.

Akukasseti paigaldamine või eemaldamine

⚠ETTEVAATUST: Lülitage seade alati enne akukasseti paigaldamist või eemaldamist välja.

⚠ETTEVAATUST: Hoidke seadet ja akukassetti kindlalt käes, kui paigaldate või eemaldate akukassetti. Kui eirata nõuet seadme ja akukasseti hoidmise kohta, võivad need käest libiseda ja maha kukkudes puruneda ning põhjustada kehavigastusi.

Akukasseti eemaldamiseks libistage see seadme küljest ära, vajutage kasseti esiküljel paiknevat nuppu alla.

Akukasseti paigaldamiseks joondage akukasseti keel korpuse soonega ja libistage kassett oma kohale. Paigaldage akuadapter alati nii kaugele, et see lukustuks klõpsatusega oma kohale. Kui näete nupu ülaosas punast osa, pole kassett täielikult lukustunud.

► Joon.3: 1. Punane näidik 2. Nupp 3. Akukassett

⚠ETTEVAATUST: Paigaldage akukassett alati täies ulatuses nii, et punast osa ei jääks näha. Muidu võib adapter juhulkiult tööriistast välja kukkuda ning põhjustada teile või läheduses viibivatele isikutele vigastusi.



















⚠ETTEVAATUST: Ärge rakendage akukasseti paigaldamisel jõudu. Kui kassett ei lähe kergesti sisse, pole see õigesti paigaldatud.

MÄRKUS: Paigaldada saab kuni kaks akukassetti, kuigi seade kasutab töö ajal ühte akukassetti.

Aku jääkmahutavuse näit

Akukasseti järelejäänud mahutavuse kontrollimiseks vajutage kontrollimise nuppu. Märgulambid süttivad mõneks sekundiks.

► Joon.4: 1. Märgulambid 2. Kontrollimise nupp

Märgulambid			Jääkmahutavus
 Pöleb	 Ei põle	 Vilgub	
			75 - 100%
			50 - 75%
			25 - 50%
			0 - 25%
			Laadige akut.
			Akul võib olla tõrge.
			

MÄRKUS: Näidatud mahutavus võib veidi erineda tegelikust mahutavusest olenevalt kasutustingimustest ja ümbritseva keskkonna temperatuurist.

MÄRKUS: Esimene (taga vasakul asuv) märgutuli vilgub, kui akukaitsesüsteem töötab.

Seadme/aku kaitsesüsteem

Seade ja aku on varustatud kaitsesüsteemiga. Süsteem lülitab mootori automaatselt välja, et pikendada seadme ja aku tööiga. Seade seiskub käitamise ajal automaatselt, kui seadme või aku kohta kehtib üks järgmistest tingimustest.

- Ülekoormuskaitse: kui seadme või aku kasutamise käigus hakkab see tarbima ebaharilikult palju voolu, peatub seade automaatselt ilma igasuguse signaalita. Sel juhul lülitage seade välja ja lõpetage seadme ülekoormuse põhjustanud töö. Pärast seda käivitage seade uuesti.
- Ülekuumenemiskaitse: kui seade või aku on üle kuumenenud, seiskub seade automaatselt. Laske seadmel maha jahtuda, enne kui selle uuesti sisse lülitate.
- Ülelaadimiskaitse: kui aku jääkmahtuvus on madal, siis seiskub seade automaatselt. Kui seade ei hakka tööle ka lülitite kasutamisel, eemaldage seadmest tühjenenud akukassetti ja laadige seda.

Kaitse muude põhjuste korral

Kaitsesüsteem on mõeldud ka muude põhjuste jaoks, mis võivad seadet kahjustada, ja võimaldab seadmel automaatselt seiskuda. Kui seade on ajutiselt peatatud või seiskunud, toimige põhjuste kõrvaldamiseks järgnevalt.

1. Lülitage seade välja ja seejärel taaskäivitamiseks uuesti sisse.
2. Laadige akut (akusid) või asendage aku (akud).
3. Laske seadmel ja akul (akudel) jahtuda.

Kui kaitsesüsteemi taastamisega ei õnnestu olukorda parandada, võtke ühendust kohaliku Makita hoolduskeskusega.

Seadme kasutamine juhtmega ühendatud toiteallikaga

Enne juhtmega ühendatava toiteallika kasutamist lugege neil olevaid juhiseid ja ettevaatusabinõusid.

⚠️HOIATUS: Kui kasutate seadet juhtmega ühendatud toiteallikaga, asetage juhtmega ühendatud toiteallikas stabiilsele pinnale. Seadet kasutatakse püstises asendis. Seljal kantava juhtmega ühendatud toiteallika kasutamine võib põhjustada kukkumisõnnetuse.

TÖÖRIISTA KASUTAMINE

Ettevalmistus

Seadme esmakordsel kasutamisel või pärast pikaage-st hoiustamist toimige järgmiselt.

1. Eemaldage seadme küljest kõik pakkematerjalid.
2. Puhastage veekeetja sisemus ja filter. Neil võib olla mustust, näiteks tolmu.

Puhastamise juhised leiate peatükist „HOOLDUS“.

Vee keetmine

⚠️ETTEVAATUST: Keetke ainult vett. Ärge keetke muud peale vee.

⚠️ETTEVAATUST: Ärge pange seadet ebastabiilsele kohale, kohta, kust inimesed sageli mööduvad, ega kohta, kuhu lapsed ulatuvad. Muidu võib seadme kogemata ümber ajada ja sellega kehavigastusi tekitada.

⚠️ETTEVAATUST: Kaane sulgemisel suruge kaas kindlalt kinni ja pange tühjendamise lukustusnupp lukustatud asendisse. Vastasel juhul võib kukkumisõnnetuse korral tekkida põletusvigastus.

1. Avage kaas, vajutades samal ajal mõlemat avatud kaane nuppu.
2. Valage veekeetjasse soovitud kogus värsket leiget vett. Seejärel sulgege kaas.

⚠️ETTEVAATUST! Veenduge, et tühjendamise lukustusnupp on lukustatud asendis. Vastasel juhul võib keedetud vesi tahtmatult välja paiskuda ja põhjustada põletusvigastusi.

⚠️ETTEVAATUST! Ärge lisage vett hulgal, mis ületab maksimumtaseme joone. Vastasel juhul võib keedetud vesi välja paiskuda ja põhjustada põletusvigastusi.

⚠️TÄHELEPANU! Vältige veevaba põlemist, ärge lülitage seadet ilma veeta sisse. Vastasel juhul võib tekkida värvimuutus või talitlushäire.

► Joon.5

3. Pange veekeetja toitealusele.
- Joon.6

4. Vajutage toitelüliti.

Toitelüliti süttib oranži värviga ühe ja kõlab üks piiks, seejärel algab keetmine.

► Joon.7: 1. Toitelüliti

⚠️ETTEVAATUST! Kaas peab olema suletud. Muidu võib välja tulla suur aurukogus, mis võib põhjustada põletusvigastusi.

⚠️ETTEVAATUST! Väljastuse lukustusnupp peab olema lukustatud asendis. Muidu võib välja tulla suur aurukogus, mis võib põhjustada põletusvigastusi.

⚠️ETTEVAATUST! Ärge puudutage auru. Põletusvigastuse oht.

► Joon.8

⚠️ETTEVAATUST! Ärge puudutage keetmise ajal või mõni aeg pärast keetmist ⚠️ märgi ümbrust ega metallist osa, mis asub joonisel. Põletusvigastuse oht.

► Joon.9: 1. Metallist osa, mis võib olla väga kuum

⚠️TÄHELEPANU! Kui vajutate toitelüliti kohe pärast keetmist, ei pruugi seade kõrge temperatuuri kaitse tõttu töötada. Sel juhul laske seadmel jahtuda ja vajutage siis uuesti toitelüliti.

Kui keetmine on lõppenud, lülitub seade mõne sekundi pikkuse helisignaaliga automaatselt välja.

⚠️TÄHELEPANU! Kui tõstate veekeetjat või toitealust keetmise ajal, lõpetab seade keetmise ja toitelüliti vilgub oranžilt.

— Kui asetate veekeetja või toitealuse toitelüliti vilkumise ajal tagasi, alustab seade uuesti keetmist.

— Mõni sekund pärast veekeetja või toiteallika tõstmist lülitub seade välja.

⚠️TÄHELEPANU! Kui aku jääkmahtuvus muutub keetmise ajal madalaks, lülitub seade välja ja toitelüliti vilgub mõne sekundi jooksul punaselt koos kolme piiksuga.

⚠️TÄHELEPANU! Kui seadme sisselülitamise ajal on kogu akuvõimsus madal, lülitub seade mõne sekundi jooksul välja, tehes üks kord piiksu.

5. Tõstke veekeetja üles, hoides samal ajal toitealuse kandekäepidet.

► Joon.10

6. Valage vett.

⚠️ETTEVAATUST! Keedetud vett valades olge ettevaatlik, et te ei saaks põletada.

Vee juhusliku väljalaskmise vältimiseks on kann varustatud tühjendamise lukustusnupuga. Vee valamiseks vajutage tühjendamise lukustusnuppu.

► Joon.11

Kandmine

⚠ HOIATUS: Ärge kandke veekeetjat koos toitealusega vee soojendamise ajal või siis, kui keedetud vesi on veekeetjas. Vastasel juhul võib kukkumisõnnetuse korral tekkida põletusvigastus.

Seedet kandes hoidke kandekäepidemest kinni.

HOOLDUS

⚠ HOIATUS: Kõiki osi peab vahetama volitatud hoolduskeskuses.

⚠ ETTEVAATUST: Kandke alati enne kontroll- või hooldustoimingute tegemist hoolet selle eest, et seade oleks toiteallikast lahutatud ja akukasett eemaldatud.

⚠ ETTEVAATUST: Ärge puudutage veekeetjat kohe pärast keedetud vee väljavalamist. Oodake, kuni veekeetja on täielikult maha jahtunud. Muidu võib tagajärjeks olla põletusvigastus.

⚠ ETTEVAATUST: Enne kontroll- või hooldustoimingu tegemist veenduge, et veekeetja on tühi. Muidu võib juhtuda õnnetus.

► Joon.12

TÄHELEPANU: Ärge kunagi kasutage bensiini, vedeldit, alkoholi ega midagi muud sarnast. Selle tulemuseks võib olla luitumine, deformatsioon või pragunemine.

TÄHELEPANU: Ärge kasutage nõudepesumasinat, nõudekuivatit ega fööni.

TÄHELEPANU: Ärge kasutage poleerimispulbrit, valgendit, puhastusvahendit, metallist puhastusharja, keemilist puhastusharja jne.

TÄHELEPANU: Ärge peske veekeetjat ega toitealust. Ärge tehke toiteallika konnektorit märjaks.

► Joon.13

Toote OHUTUSE ja TÖÖKINDLUSE tagamiseks tuleb vajalikud remonttööd ning muud hooldus- ja reguleerimistööd lasta teha Makita volitatud teeninduskeskustes või tehase teeninduskeskustes. Alati tuleb kasutada Makita varuosi.

Puhastamine

Seedme välispind

Pärast seadme jahutamist puhastage seadme välispind puhta lapiga.

Kui seade on väga määrdundud, kasutage seebivees niisutatud lappi. Seejärel pühkige vesi kuiva lapiga ära.

► Joon.14

Veekeetja sisepind

Eemaldage kaas, tõmmates see veekeetjast välja, nagu joonisel näidatud.

► Joon.15

Loputage hoolikalt veega, seejärel kuivatage seestpoolt.

Filter

Eemaldage filter, tõmmates see veekeetjast välja, nagu joonisel näidatud.

Peske filtrit ja kuivatage see.

► Joon.16: 1. Filter

Filtri ja kaane paigaldamiseks järgige eemaldamisprotseduuri vastupidises suunas.

Katlakivi eemaldamine veekeetjast

Seadme kasutamisel koguneb veekeetja sisse katlakivi. Katlakivi muudab keetmise ebaefektiivseks. Kui katlakivi muutub märgatavaks, puhastage veekeetja sisemust sidrunhappega.

1. Avage kaas ja eemaldage filter kaanest.
 2. Valage vesi veekeetjasse maksimumtaseme jooneni.
 3. Lisage 40 g (1,4 oz) kaubanduses saada olevat sidrunhapat vette ja segage see. Seejärel sulgege kaas.
 4. Pange veekeetja toitealusele.
 5. Vajutage toitelülitit.
 6. Jätke veekeetja umbes 1 tunniks pärast keetmise lõppu seisma.
 7. Valage vesi välja ja loputage veekeetja sisemust veega.
 8. Kui tunnete maitses või lõhnas sidrunhapat, keetke lihtsalt vett ja valage see välja.
- Kui mustust on raske eemaldada, korrake samme 2 kuni 7.
9. Kuivatage veekeetja ja paigaldage filter kaanele.

Hoiundamine

Tulekahju või põlemise vältimiseks laske seadmel enne hoiundamist täielikult maha jahtuda. Ärge hoidke tühjenedu akusid laadimata pikka aega, sest see võib nende tööiga lühendada.

VEAOTSING

Enne parandustöökotta pöördumist kontrollige esmalt ise seadet. Ärge proovige masinat lahti võtta, kui leiate probleemi, mida kasutusjuhendis ei kirjeldata. Selle asemel pöörduge Makita volitatud teeninduskeskusesse, kus kasutatakse parandamisel alati Makita tagavaraosi.

Probleemi kirjeldus	Tõenäoline põhjus	Lahendus
Ei tööta.	Akukassetid ei ole õigesti paigaldatud.	Paigaldage akukassetid juhendis kirjeldatud viisil.
	Akukassetid on tühjad.	Laadige akukassette.
Seade lülitub varsti pärast sisselülitamist piiksuga välja.	Temperatuuriantur tuvastab kõrge temperatuuri, kuna toitelüliti vajutati vahetult pärast keetmist.	Jätke seade mõneks minutiks seadme jahutamiseks välja lülitatuks.
Seade lülitub varsti pärast sisselülitamist oranžilt vilkuva toitelülitiga välja.	Temperatuurianturi klemm on määrdunud.	Pühkige mustus temperatuurianturilt kuiva lapiga ära.
	Toitealus on kaldus või asetatud ebastabiilsele pinnale.	Asetage seade stabiilsele ja tasasele pinnale.
Kuiigi vesi pole keema läinud, lülitub seade välja, piiksudes mõni sekund, nagu siis, kui vesi on keema läinud.	Temperatuurianturi klemm on määrdunud.	Pühkige mustus temperatuurianturilt kuiva lapiga ära.
	Veekeetja ei ole korralikult toitealusel, sest tolm või muu sarnane materjal on veekeetja ja toitealuse vahele jäänud.	Eemaldage veekeetja põhjast või toitealusest tolm.
Toitelüliti ei lõpeta punaselt vilkumist. (Ja toitelüliti lülitatakse välja umbes 10 minutit pärast seda.)	Toiteallika konnektor veekeetjal ja/või toitealusel on määrdunud.	Eemaldage aku ja pühkige mustus toiteallika konnektorilt kuiva lapiga ära.
Keev vesi pritsib välja.	Vett on lisatud üle maksimumtaseme joone.	Vähendage veekogust maksimumtaseme joonest allapoole.
	Veekeetjas on miski muu kui vesi.	Ärge keetke midagi muud peale vee.
Keedetud vesi lõhnab.	Kraanivees sisalduv kloor võib lõhnata.	
	Kummilõhn kaob kohe pärast lahtipakkimist aja jooksul.	
Toitealusel on veetilgad.	Keedetud vee auru tõttu võib seadmele tekkida kondensatsioon.	
Veekeetja kallutamisel lekitab keedetud vett.	Tila peal on ava. Isegi kui kaane avamise nupp on lukustatud asendis, lekitab vesi veekeetja kallutamisel välja.	

VALIKULISED TARVIKUD

⚠ETTEVAATUST: Neid tarvikuid ja liseseadmeid on soovitatav kasutada koos Makita seadmega, mille kasutamist selles kasutusjuhendis kirjeldatakse. Muude tarvikute ja liseseadmete kasutamisega võib kaasneb vigastusoht. Kasutage tarvikuid ja liseseadmeid ainult otstarbekohaselt.

Saate vajaduse korral kohalikust Makita teeninduskeskusest lisateavet nende tarvikute kohta.

- Makita originaalaku ja Makita volitatud laadija

MÄRKUS: Mõned nimekirjas loetletud tarvikud võivad kuuluda standardvarustusse ning need on lisatud tööriista pakendisse. Need võivad riigiti erineda.

ОСТОРОЖНО

- Для пользователей в Европе.
Дети старше 8 лет могут использовать это устройство только при условии, что они осознают возможные опасности и действуют под надзором или после инструктажа по безопасному использованию устройства. Дети не должны выполнять чистку и техническое обслуживание, если им еще не исполнилось 8 лет и они не находятся под присмотром взрослых. Устройство и шнур питания должны находиться в недоступном для детей младше 8 лет месте.
Лица с ограниченными физическими, сенсорными или умственными способностями и лица, не имеющие надлежащего опыта и знаний, могут использовать это устройство только при условии, что они осознают возможные опасности и действуют под надзором или после инструктажа по безопасному использованию устройства.
Не разрешайте детям играть с устройством.
- Для пользователей в регионах за пределами Европы.
Данное устройство не предназначено для использования людьми (включая детей) с ограниченными физическими, сенсорными или умственными возможностями, либо не имеющими соответствующего опыта или знаний, за исключением случаев, когда они действуют под руководством или после надлежащего инструктажа по использованию устройства со стороны лица, ответственного за их безопасность. Следите за маленькими детьми, чтобы они не использовали устройство в качестве игрушки.
- Сведения о мерах предосторожности при техническом обслуживании изделия пользователем приведены в главе “ОБСЛУЖИВАНИЕ”.
- Тип аккумулятора указан в главе “ТЕХНИЧЕСКИЕ ХАРАКТЕРИСТИКИ”.
- Инструкции по установке и извлечению аккумулятора приведены в разделе “Установка или снятие блока аккумуляторов”.
- Для утилизации блока аккумулятора извлеките его из инструмента и утилизируйте безопасным способом. Выполняйте требования местного законодательства по утилизации аккумулятора.
- Если инструментом не будут пользоваться в течение длительного периода времени, извлеките аккумулятор из инструмента.
- Не замыкайте контакты блока аккумулятора между собой.
- Устройство предназначено для использования в домашних и аналогичных условиях, например:
 - в кухонных зонах для персонала в магазинах, офисах и других рабочих помещениях;
 - в загородных домах;
 - клиентами в гостиницах, отелях и других жилых помещениях;
 - в мини-гостиницах.
- Во избежание возгорания или поражения электрическим током не погружайте устройство и аккумулятор в воду или любую другую жидкость.
- Не переполняйте устройство водой. Кипящая вода может пролиться и привести к ожогам.
- **ОСТОРОЖНО!** Не открывайте крышку, когда вода кипит.
- Это устройство питается от аккумулятора, который заряжается отдельно.
- Перед зарядкой аккумуляторные батареи необходимо вынуть из устройства.
- Аккумуляторы следует вставлять с соблюдением полярности.
- Разряженные аккумуляторы необходимо вынуть из устройства и утилизировать безопасным образом.
- Избегайте попадания жидкости на разъемы источника питания или клеммы аккумулятора.
- Данное устройство является чайником, предназначенным для кипячения воды, поэтому неправильное использование может привести к травмам.

ТЕХНИЧЕСКИЕ ХАРАКТЕРИСТИКИ

Модель:	КТ001G
Номинальное напряжение	36 В – 40 В пост. тока макс.
Вместимость	0,8 л
Размеры (Д × Ш × В)	235 × 322 × 307 мм (без блока аккумулятора)
Масса нетто *1 (общая масса чайника и подставки с источником питания)	2,8 – 5,9 кг (с блоками аккумуляторов)
Масса нетто (масса чайника)	1,0 кг
Масса нетто (масса подставки с источником питания)	1,1 кг (без блока аккумулятора)
Ориентировочное время закипания *2	прибл. 8 мин. (при кипячении 0,8 л воды температурой 23 °С при температуре среды 23 °С)

*1 Наименьшая и наибольшая совокупная масса чайника, зарядной подставки и блоков аккумуляторов указаны в таблице.

*2 Показатель зависит от типа аккумулятора, уровня зарядки и условий использования.

- Благодаря нашей постоянно действующей программе исследований и разработок указанные здесь технические характеристики могут быть изменены без предварительного уведомления.
- Технические характеристики могут различаться в зависимости от страны.

Объем воды, который можно вскипятить

Блок аккумулятора (полный заряд)	Объем воды, который можно вскипятить*
BL4020 x 2	1,1 л
BL4025 x 2	1,2 л
BL4040 x 2	2,2 л
BL4050F x 2	3,0 л
BL4080F x 2	4,9 л
PDC1200	11,4 л

* При кипячении воды температурой 23 °С при температуре среды 23 °С

ПРИМЕЧАНИЕ: Значения указаны приблизительно и зависят от типа аккумулятора, уровня заряда и условий использования.

ПРИМЕЧАНИЕ: Количество воды, которое можно вскипятить на одном аккумуляторе, составляет около половины от того количества, которое можно вскипятить при использовании двух аккумуляторов.

Подходящий блок аккумулятора и зарядное устройство

Блок аккумулятора	BL4020 / BL4025 / BL4040 / BL4050F / BL4080F
Зарядное устройство	DC40RA / DC40RB / DC40RC

- В зависимости от региона проживания некоторые блоки аккумуляторов и зарядные устройства, перечисленные выше, могут быть недоступны.

⚠ ОСТОРОЖНО: Используйте только перечисленные выше блоки аккумуляторов и зарядные устройства. Использование других блоков аккумуляторов и зарядных устройств может привести к травме и/или пожару.

Рекомендованный источник электропитания с проводным подключением

Портативный блок питания	PDC1200
--------------------------	---------

- В некоторых регионах определенные модели перечисленных выше аккумуляторных блоков с проводным подключением могут быть недоступны.
- Перед началом использования аккумуляторного блока с проводным подключением изучите инструкцию и предупреждающие надписи на нем.

Символы

Ниже приведены символы, которые могут использоваться для обозначения оборудования. Перед использованием убедитесь в том, что вы понимаете их значение.



Прочитайте руководство по эксплуатации.



Осторожно! Горячая поверхность. Опасность ожогов. Не касайтесь, пока не остынет.



Для данного продукта подходит типовой аккумулятор.



Только для стран ЕС
В связи с наличием в оборудовании опасных компонентов отходы электрического и электронного оборудования, аккумуляторы и батареи могут оказывать негативное влияние на окружающую среду и здоровье человека. Не выбрасывайте электрические и электронные устройства или батареи вместе с бытовыми отходами!
В соответствии с директивой ЕС по отходам электрического и электронного оборудования, по аккумуляторам, батареям и отходам аккумуляторов и батарей, а также в соответствии с ее адаптацией к национальному законодательству, отходы электрического оборудования, батареи и аккумуляторы следует хранить отдельно и доставлять в пункт раздельного сбора коммунальных отходов, работающий с соблюдением правил охраны окружающей среды. Это обозначено символом в виде перечеркнутого мусорного контейнера на колесах, нанесенным на оборудование.



Только для стран ЕС
Правильная утилизация этого устройства
Эта маркировка означает, что это устройство запрещено утилизировать совместно с другими бытовыми отходами в странах ЕС. Для предотвращения возможного вреда окружающей среде или здоровью человека вследствие неконтролируемой утилизации отходов это устройство следует утилизировать надлежащим образом с целью рационального использования материальных ресурсов. Чтобы вернуть использованное устройство, воспользуйтесь услугами организаций по раздельному сбору отходов или обратитесь к продавцу этого устройства. Они могут принять это устройство для экологически безопасной переработки.
В связи с наличием в оборудовании опасных компонентов использованное электрическое и электронное оборудование может оказывать негативное влияние на окружающую среду и здоровье человека.

Назначение

Это устройство предназначено для кипячения воды.

МЕРЫ БЕЗОПАСНОСТИ

Правила техники безопасности при пользовании аккумуляторным чайником

▲ ОСТОРОЖНО: ВАЖНО! ВНИМАТЕЛЬНО ОЗНАКОМЬТЕСЬ со всеми инструкциями и рекомендациями по технике безопасности ДО НАЧАЛА РАБОТЫ. Невыполнение инструкций и рекомендаций может привести к поражению электротоком, пожару и/или тяжелым травмам.

1. **Используйте только принадлежности, рекомендованные производителем.** Несоблюдение этой рекомендации может привести к непредвиденным последствиям.
2. **Не касайтесь горячих поверхностей.** Во время использования поверхности могут нагреваться.
3. **Не используйте устройство во взрывоопасной атмосфере.** Это может привести к ожогам или возникновению пожара.
4. **Не используйте устройство вблизи источников тепла (печи и пр.).**
5. **Не используйте устройство в местах с повышенной влажностью и под дождем.** В противном случае возможно попадание воды внутрь устройства, которое может привести к поражению электрическим током.
6. **Устанавливайте устройство на ровную и устойчивую поверхность.**
7. **Не закрывайте носик во время кипячения воды.** Это может привести к накоплению пара, что повлечет неисправности или травмы.
8. **Перед чисткой устройства дайте ему остыть.** Несоблюдение этой рекомендации может привести к ожогам.
9. **Не кладите устройство, в котором находится вода, в горизонтальное положение.** Сливной клапан не обеспечивает полное перекрытие воды. Вода может пролиться, даже если сливной клапан активирован.
10. **Устанавливайте устройство так, чтобы стены или мебель не подвергались воздействию пара.** Воздействие пара может привести к обезжелезиванию, деформации или трещинам.
11. **Кипятить можно только воду. Не следует кипятить какие-либо другие жидкости, кроме воды, например, молоко, чай, суп и т. д.** В противном случае содержимое может вылиться и привести к травмам, может испачкаться устройство или возникнуть неисправность.
12. **Не следует наливать в чайник что-либо, кроме воды, или класть в него какие-либо предметы, например, бутылки, чашки и т. д.** В противном случае вода может вылиться и привести к травмам, может испачкаться устройство или возникнуть неисправность.
13. **Не открывайте крышку сразу после кипячения.** В противном случае кипятки могут выплеснуться и причинить ожог.

⚠ОСТОРОЖНО: НЕ ДОПУСКАЙТЕ, чтобы удобство или опыт эксплуатации данного устройства (полученный от многократного использования) доминировали над строгим соблюдением правил техники безопасности при обращении с этим устройством. НЕПРАВИЛЬНОЕ ИСПОЛЬЗОВАНИЕ инструмента или несоблюдение правил техники безопасности, указанных в данном руководстве, может привести к тяжелой травме.

Правила техники безопасности при пользовании аккумуляторным устройством

Эксплуатация и обслуживание аккумуляторного устройства

1. Не допускайте случайного запуска. Прежде чем подключать аккумуляторный блок, поднимать или переносить устройство, убедитесь в том, что переключатель находится в выключенном положении. Если при переноске устройства палец пользователя находится на переключателе или питание подается на устройство с включенным переключателем, это может привести к несчастному случаю.
2. Перед выполнением регулировок, сменой принадлежностей или хранением отсоединяйте аккумуляторный блок от устройства. Такие профилактические меры предосторожности снижают риск случайного включения устройства.
3. Заряжайте аккумулятор только зарядным устройством, указанным изготовителем. Зарядное устройство, подходящее для одного типа аккумуляторов, может привести к пожару при его использовании с другим аккумуляторным блоком.
4. Используйте устройства только с указанными для них аккумуляторными блоками. Использование других аккумуляторных блоков может привести к травме или пожару.
5. Когда аккумуляторный блок не используется, храните его отдельно от металлических предметов, таких как скрепки, монеты, ключи, гвозди, шурупы или другие небольшие металлические предметы, которые могут привести к закорачиванию контактов аккумуляторного блока между собой. Короткое замыкание между контактами аккумуляторного блока может привести к ожогам или пожару.
6. При неправильном обращении из аккумуляторного блока может потечь жидкость. Избегайте контакта с ней. В случае контакта с кожей промойте место контакта обильным количеством воды. В случае попадания в глаза обратитесь к врачу. Жидкость из аккумулятора может вызвать раздражение или ожоги.
7. Не используйте аккумуляторный блок или устройство с повреждениями или модификациями. Поврежденные или модифицированные аккумуляторы могут работать некорректно, что может привести к пожару, взрыву или травмированию.

8. Не подвергайте аккумуляторный блок или устройство воздействию огня или высокой температуры. Воздействие огня или температуры выше 130 °C может привести к взрыву.
9. Следуйте всем инструкциям по зарядке и не заряжайте аккумуляторный блок или устройство при температурах, выходящих за пределы указанного в инструкции диапазона. Зарядка, выполняемая неправильно или при температурах, выходящих за пределы указанного диапазона, может привести к повреждению аккумулятора и повысить риск пожара.
10. Сервисное обслуживание устройства должно выполняться квалифицированным специалистом по ремонту и только с использованием идентичных запасных частей. Это позволяет обеспечить безопасность устройства.
11. Не пытайтесь самостоятельно ремонтировать устройство или аккумуляторный блок или вносить изменения в их конструкцию; строго соблюдайте инструкции по их эксплуатации.

Важные правила техники безопасности для работы с аккумуляторным блоком

1. Перед использованием аккумуляторного блока прочитайте все инструкции и предупреждающие надписи на (1) зарядном устройстве, (2) аккумуляторном блоке и (3) инструменте, работающем от аккумуляторного блока.
2. Не разбирайте блок аккумулятора и не вносите изменений в его конструкцию. Это может привести к пожару, перегреву или взрыву.
3. Если время работы аккумуляторного блока значительно сократилось, немедленно прекратите работу. В противном случае, может возникнуть перегрев блока, что приведет к ожогам и даже к взрыву.
4. В случае попадания электролита в глаза промойте их обильным количеством чистой воды и немедленно обратитесь к врачу. Это может привести к потере зрения.
5. Не замыкайте контакты аккумуляторного блока между собой:
 - (1) Не прикасайтесь к контактам какими-либо токопроводящими предметами.
 - (2) Не храните аккумуляторный блок в контейнере вместе с другими металлическими предметами, такими как гвозди, монеты и т. п.
 - (3) Не допускайте попадания на аккумуляторный блок воды или дождя.Замыкание контактов аккумуляторного блока между собой может привести к возникновению большого тока, перегреву, возможным ожогам и даже поломке блока.
6. Не храните и не используйте устройство и блок аккумулятора в местах, где температура может достигать или превышать 50 °C (122 °F).

7. Не бросайте блок аккумулятора в огонь, даже если он сильно поврежден или полностью вышел из строя. Блок аккумулятора может взорваться под действием огня.
8. Запрещено вбивать гвозди в блок аккумулятора, резать, ломать, бросать, ронять блок или ударять его твердым предметом. Такие действия могут привести к пожару, перегреву или взрыву.
9. Не используйте поврежденный аккумуляторный блок.
10. Входящие в комплект литий-ионные аккумуляторы должны эксплуатироваться в соответствии с требованиями законодательства об опасных товарах.

При коммерческой транспортировке, например, третьей стороной или экспедитором, необходимо нанести на упаковку специальные предупреждения и маркировку.

В процессе подготовки устройства к отправке обязательно проконсультируйтесь со специалистом по опасным материалам. Также соблюдайте местные требования и нормы. Они могут быть строже.

Закройте или закрепите разомкнутые контакты и упакуйте аккумулятор так, чтобы он не перемещался по упаковке.

11. Для утилизации блока аккумулятора извлеките его из устройства и утилизируйте безопасным способом. Выполняйте требования местного законодательства по утилизации аккумулятора.
12. Используйте аккумуляторы только с продукцией, указанной Makita. Установка аккумуляторов на продукцию, не соответствующую требованиям, может привести к пожару, перегреву, взрыву или утечке электролита.
13. Если устройством не будут пользоваться в течение длительного периода времени, извлеките аккумулятор из устройства.
14. Во время и после использования блок аккумулятора может нагреваться, что может стать причиной ожогов, в том числе низкотемпературных. Будьте осторожны при обращении с горячим блоком аккумулятора.
15. Не прикасайтесь к контактам устройства сразу после использования, поскольку они могут быть достаточно горячими, чтобы вызвать ожоги.
16. Не допускайте, чтобы крошки, пыль или земля прилипали к контактам, отверстиям и пазам на блоке аккумулятора. Это может привести к снижению эксплуатационных параметров, поломке устройства или блока аккумулятора.
17. Если устройство не рассчитано на использование вблизи высоковольтных линий электропередачи, не используйте блок аккумулятора вблизи высоковольтных линий электропередачи. Это может привести к неисправности, поломке устройства или блока аккумулятора.
18. Храните аккумулятор в недоступном для детей месте.

СОХРАНИТЕ ДАННЫЕ ИНСТРУКЦИИ.

▲ВНИМАНИЕ: Используйте только фирменные аккумуляторы Makita. Использование аккумуляторов, произведенных не компанией Makita, или аккумуляторов, подвергнутых модификациям, может привести к взрыву аккумулятора, пожару, травмам и повреждению имущества. Это также автоматически аннулирует гарантию Makita на устройство и зарядное устройство Makita.

Советы по обеспечению максимального срока службы аккумулятора

1. Заряжайте блок аккумулятора до того, как он полностью разрядится. Обязательно прекратите работу с устройством и зарядите блок аккумулятора, если вы заметили снижение мощности работы.
2. Никогда не подзаряжайте полностью заряженный блок аккумуляторов. Перезарядка сокращает срок службы аккумулятора.
3. Заряжайте блок аккумуляторов при комнатной температуре в 10 - 40 °C (50 - 104 °F). Перед зарядкой горячего блока аккумуляторов дайте ему остыть.
4. Если блок аккумулятора не используется, извлеките его из устройства или зарядного устройства.
5. Зарядите ионно-литиевый аккумуляторный блок, если вы не будете пользоваться инструментом длительное время (более шести месяцев).

ОПИСАНИЕ ДЕТАЛЕЙ

Чайник

► Рис.1

1	Носик	2	Крышка
3	Кнопка сливного клапана	4	Кнопка открытия крышки
5	Рукоятка	6	Отметка максимального уровня воды
7	Шкала объема воды	8	Разъем источника питания (нижняя сторона)
9	Датчик температуры	-	-

Подставка с источником питания

► Рис.2

10	Рукоятка для переноски	11	Разъем источника питания
12	Переключатель питания	13	Блок аккумулятора
14	Датчик температуры	15	Датчик заземления

ОПИСАНИЕ РАБОТЫ

⚠ ВНИМАНИЕ: Перед регулировкой или проверкой функций устройства обязательно убедитесь, что оно выключено и блок аккумулятора снят.

Установка или снятие блока аккумуляторов

⚠ ВНИМАНИЕ: Обязательно выключайте устройство перед установкой и извлечением блока аккумулятора.

⚠ ВНИМАНИЕ: При установке и извлечении блока аккумулятора крепко удерживайте устройство и блок аккумулятора. Если не соблюдать это требование, они могут выскользнуть из рук, что приведет к повреждению устройства и блока аккумулятора, а также травмированию пользователя.

Для снятия блока аккумулятора сдвиньте кнопку на его лицевой стороне и извлеките блок.

Для установки блока аккумулятора совместите выступ блока аккумулятора с пазом в корпусе и задвиньте его на место. Устанавливайте блок до упора так, чтобы он зафиксировался на месте с небольшим щелчком. Если вы можете видеть красный индикатор на верхней части клавиши, блок аккумулятора не полностью зафиксирован на месте.

► **Рис.3:** 1. Красный индикатор 2. Кнопка 3. Блок аккумулятора

⚠ ВНИМАНИЕ: Обязательно устанавливайте блок аккумулятора до конца, чтобы красный индикатор не был виден. В противном случае блок аккумулятора может выпасть из инструмента и нанести травму вам или другим людям.









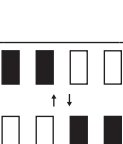
⚠ ВНИМАНИЕ: Не прилагайте чрезмерных усилий при установке аккумуляторного блока. Если блок не двигается свободно, значит он вставлен неправильно.

ПРИМЕЧАНИЕ: Можно установить максимум два блока аккумуляторов, хотя для работы устройства используется один блок аккумулятора.

Индикация оставшегося заряда аккумулятора

Нажмите кнопку проверки на аккумуляторном блоке для проверки заряда. Индикаторы загорятся на несколько секунд.

► **Рис.4:** 1. Индикаторы 2. Кнопка проверки

Индикаторы			Уровень заряда
 Горит	 Выкл.	 Мигает	
			от 75 до 100%
			от 50 до 75%
			от 25 до 50%
			от 0 до 25%
			Зарядите аккумуляторную батарею.
			Возможно, аккумуляторная батарея неисправна.

ПРИМЕЧАНИЕ: В зависимости от условий эксплуатации и температуры окружающего воздуха индикация может незначительно отличаться от фактического значения.

ПРИМЕЧАНИЕ: Первая (дальняя левая) индикаторная лампа будет мигать во время работы защитной системы аккумулятора.

Система защиты устройства / аккумулятора

Устройство и аккумулятор оснащены системой защиты. Эта система автоматически отключает питание двигателя для продления срока службы устройства и аккумулятора. Устройство автоматически отключится в указанных далее случаях, влияющих на работу самого устройства или аккумулятора.

- **Защита от перегрузки:** Если в текущем режиме эксплуатации потребление тока устройством или аккумулятором чрезмерно возрастает, устройство автоматически останавливается без включения каких-либо индикаторов. В этом случае выключите устройство и прекратите работу, из-за которой произошла перегрузка. Затем включите устройство для перезапуска.
- **Защита от перегрева:** В случае перегрева устройства или аккумулятора устройство автоматически останавливается. Дайте устройству остыть перед повторным включением.
- **Защита от глубокой разрядки:** При истощении заряда аккумулятора устройство автоматически останавливается. Если устройство не работает даже после нажатия переключателей, выньте из него разряженный блок аккумулятора и зарядите его.

Защита от других неполадок

Система защиты также обеспечивает защиту от других неполадок, способных повредить устройство, и обеспечивает автоматическую остановку устройства. В случае временной остановки или прекращения работы устройства выполните все перечисленные ниже действия для устранения причины остановки.

1. Выключите и снова включите устройство для его перезапуска.
2. Зарядите аккумулятор(ы) или замените его(их) заряженным(и).
3. Дайте устройству и аккумулятору (аккумулятору) остыть.

Если после возврата системы защиты в исходное состояние ситуация не изменится, обратитесь в сервисный центр Makita.

Использование устройства с источником электропитания с проводным подключением

Перед началом использования источника электропитания с проводным подключением изучите инструкцию и предупреждающие надписи на нем.

⚠ ОСТОРОЖНО: При использовании устройства с источником электропитания с проводным подключением положите источник питания на устойчивую поверхность. Данное устройство предназначено для использования в стационарном положении. Использование источника электропитания с проводным подключением, который носится на спине, может привести к падению устройства.

ЭКСПЛУАТАЦИЯ

Подготовка

При использовании устройства впервые или после длительного хранения выполните следующие действия.

1. Снимите с устройства все упаковочные материалы.
2. Очистите чайник и фильтр изнутри. На них может быть грязь, пыль и т. д.

Инструкции по очистке см. в разделе "ОБСЛУЖИВАНИЕ".

Кипячение воды

⚠ ВНИМАНИЕ: Кипятить можно только воду. Кипячение какой-либо другой жидкости запрещено.

⚠ ВНИМАНИЕ: Не устанавливайте устройство на неустойчивую поверхность, в местах, где часто ходят люди, или местах, куда могут дотянуться дети. В противном случае устройство может случайно упасть и стать причиной травмы.

⚠ ВНИМАНИЕ: При закрытии крышки нажмите на нее и переведите кнопку сливного клапана в заблокированное положение. В противном случае падение устройства может привести к ожогам.

1. Откройте крышку, нажав обе кнопки открытия крышки.

2. Налейте в чайник необходимое количество пресной прохладной воды. После этого закройте крышку.

⚠ ВНИМАНИЕ! Убедитесь, что кнопка сливного клапана находится в заблокированном положении. Иначе кипящая вода может случайно пролиться и привести к ожогам.

⚠ ВНИМАНИЕ! Не наливайте воду выше отметки максимального уровня. Иначе кипящая вода может пролиться и привести к ожогам.

ПРИМЕЧАНИЕ. Не допускайте работы устройства без воды и не включайте его, не наливая воды. Это может привести к обесцвечиванию и неисправностям.

► Рис.5

3. Поставьте чайник на подставку с источником питания.

► Рис.6

4. Нажмите на переключатель питания.

Переключатель питания загорится оранжевым цветом и прозвучит одиночный сигнал, после чего начнется подогрев воды.

► Рис.7: 1. Переключатель питания

⚠ ВНИМАНИЕ! Убедитесь в том, что крышка закрыта. В противном случае возможен выброс большого объема пара, способного причинить ожоги.

⚠ ВНИМАНИЕ! Убедитесь в том, что кнопка блокировки выпуска находится в положении блокировки. В противном случае возможен выброс большого объема пара, способного причинить ожоги.

⚠ ВНИМАНИЕ! Не контактируйте с паром. Это может привести к ожогам.

► Рис.8

⚠ ВНИМАНИЕ! Не прикасайтесь к поверхности вокруг отметки ⚠ и металлической детали, изображенной на рисунке, во время кипячения или через некоторое время после него. Это может привести к ожогам.

► Рис.9: 1. Металлическая деталь, которая может сильно нагреваться

ПРИМЕЧАНИЕ. Если вы нажмете переключатель питания сразу после кипячения, устройство может не работать из-за защиты от высокой температуры. В этом случае дайте устройству остыть, а затем снова нажмите переключатель питания.

После завершения кипячения устройство автоматически выключится, и в течение нескольких секунд будет звучать сигнал.

ПРИМЕЧАНИЕ. Если поднять чайник или подставку с источником питания во время кипячения, устройство перестанет работать, а переключатель питания начнет мигать оранжевым цветом.

— Если вернуть чайник или подставку с источником питания на место, пока переключатель питания мигает, устройство автоматически возобновит кипячение.

— Устройство выключается через несколько секунд после того, как чайник или подставка с источником питания будут подняты.

ПРИМЕЧАНИЕ. Когда емкость аккумулятора снижается во время кипячения, устройство выключается, а переключатель питания начинает мигать красным в течение нескольких секунд и звучит три сигнала.

ПРИМЕЧАНИЕ. Если включить устройство при низком уровне заряда всех аккумуляторов, то устройство отключается в течение нескольких секунд с одиночным звуковым сигналом.

5. Поднимите чайник, взявшись за ручку для переноски подставки с источником питания.

► Рис.10

6. Налейте воду.

⚠ВНИМАНИЕ! Будьте осторожны, чтобы не обжечься при наливании горячей воды.

Для предотвращения случайного выливания воды предусмотрена кнопка сливного клапана. Нажмите кнопку сливного клапана, чтобы слить воду.

► Рис.11

Переноска

⚠ОСТОРОЖНО: Не переносите чайник и подставку с источником питания во время подогрева воды или с кипящей водой в чайнике. В противном случае падение устройства может привести к ожогам.

При переноске устройства держитесь за ручку для переноски.

ОБСЛУЖИВАНИЕ

⚠ОСТОРОЖНО: Замена всех деталей устройства должна производиться в уполномоченном сервисном центре.

⚠ВНИМАНИЕ: Перед проведением проверки или работ по техобслуживанию необходимо убедиться, что устройство выключено и отключено от сети, а блок аккумулятора снят.

⚠ВНИМАНИЕ: Не дотрагивайтесь до чайника сразу после выливания кипятка. Дождитесь полного остывания чайника. Несоблюдение этой рекомендации может привести к ожогу.

⚠ВНИМАНИЕ: Перед выполнением осмотра или технического обслуживания устройства убедитесь в том, что в чайнике нет воды. В противном случае возможен несчастный случай.

► Рис.12

ПРИМЕЧАНИЕ: Запрещается использовать бензин, растворители, спирт и другие подобные жидкости. Это может привести к обезцвечиванию, деформации и трещинам.

ПРИМЕЧАНИЕ: Запрещается использовать посудомоечные машины, сушилки для посуды или фен.

ПРИМЕЧАНИЕ: Запрещается использовать полировальный порошок, отбеливатель, моющие средства, металлические щетки для чистки, щетки для чистки на основе химических компонентов и т. д.

ПРИМЕЧАНИЕ: Не мойте чайник и подставку с источником питания. Не допускайте попадания влаги на разъем источника питания.

► Рис.13

Для обеспечения БЕЗОПАСНОСТИ и НАДЕЖНОСТИ обслуживания ремонт, любое другое техобслуживание или регулировку необходимо производить в уполномоченных сервис-центрах Makita или сервис-центрах предприятия с использованием только сменных частей производства Makita.

Очистка

Внешняя поверхность устройства

После того как устройство остынет, протрите его снаружи чистой тканью.

Если устройство сильно загрязнено, используйте ткань, смоченную в мыльной воде. Затем протрите влажную поверхность сухой тканью.

► Рис.14

Внутренняя поверхность чайника

Снимите крышку, вытащив ее из чайника, как показано на рисунке.

► Рис.15

Хорошо промойте внутреннюю поверхность водой, а затем высушите ее.

Фильтр

Снимите фильтр, вытащив его из крышки, как показано на рисунке.

Промойте фильтр и высушите его.

► Рис.16: 1. Фильтр

Для установки фильтра и крышки выполните процедуру снятия в обратном порядке.

Удаление накипи с внутренней поверхности чайника

В результате использования прибора внутри чайника будет появляться накипь. Накипь снижает эффективность кипячения. Заметив накипь, очистите внутреннюю поверхность чайника лимонной кислотой.

1. Откройте крышку и снимите с нее фильтр.
2. Налейте воду в чайник до отметки максимального уровня.
3. Добавьте в воду 40 г (1,4 унций) лимонной кислоты, которую можно купить в любом магазине, и перемешайте ее. После этого закройте крышку.
4. Поставьте чайник на подставку с источником питания.
5. Нажмите на переключатель питания.

6. После закипания оставьте чайник примерно на 1 час.
 7. Слейте воду и промойте чайник изнутри водой.
 8. Если вкус или запах лимонной кислоты останется, вскипятите чистую воду и слейте ее.
- Если грязь очищается плохо, повторите шаги 2–7.
9. Высушите чайник и установите фильтр на крышку.

Хранение

Во избежание пожара или ожогов дайте устройству полностью остыть, прежде чем поместить его на хранение. Не храните разряженный аккумулятор в течение длительного времени – это может отрицательно сказаться на сроке его службы.

ПОИСК И УСТРАНЕНИЕ НЕИСПРАВНОСТЕЙ

Прежде чем обращаться по поводу ремонта, проведите осмотр самостоятельно. Если обнаружена неисправность, не указанная в руководстве, не пытайтесь разобрать инструмент. Обратитесь в один из авторизованных сервисных центров Makita, в которых для ремонта используются только оригинальные детали Makita.

Неисправность	Вероятная причина	Способ устранения
Не работает.	Неправильно установлены блоки аккумулятора.	Вставьте блок аккумулятора, как описано в этом руководстве.
	Блоки аккумуляторов разряжены.	Зарядите блоки аккумуляторов.
Устройство отключается со звуковым сигналом вскоре после его включения.	Датчик температуры определяет превышение температуры, поскольку переключатель питания был нажат сразу после кипячения.	Оставьте устройство выключенным на несколько минут, чтобы оно остыло.
Устройство отключается с мигающим оранжевым цветом переключателем питания вскоре после его включения.	Контакт датчика температуры загрязнен.	Вытрите грязь с датчика температуры сухой тканью.
	Подставка с источником питания наклонена или установлена на неустойчивой поверхности.	Установите устройство на ровной и устойчивой поверхности.
Несмотря на завершение операции кипячения устройство отключается с длящимся несколько секунд звуковым сигналом аналогично тому, как это происходит по окончании кипячения.	Контакт датчика температуры загрязнен.	Вытрите грязь с датчика температуры сухой тканью.
	Чайник не устанавливается на упоре с источником питания надлежащим образом из-за скопления пыли или аналогичных загрязнений между чайником и упором с источником питания.	Удалите всю пыль, накопившуюся на дне чайника или упоре с источником питания.
Переключатель питания не перестает мигать красным цветом. (И переключатель питания выключается примерно через 10 минут.)	Разъем источника питания на чайнике и / или подставке с источником питания загрязнен.	Выньте аккумулятор и вытрите грязь с разъема источника питания сухой тканью.
Кипяток переливается через край.	Вода залита выше линии максимального уровня.	Уменьшите количество воды, чтобы она не достигала отметки максимального уровня.
	В чайник налита какая-либо другая жидкость, а не вода.	Кипячение какой-либо другой жидкости запрещено.
Кипяченая вода имеет запах.	Запах может быть вызван наличием хлора в водопроводной воде.	
	Запах смолы сразу после распаковки со временем исчезнет.	
Капли воды на упоре с источником питания.	Из-за испарения кипящей воды на приборе может образоваться конденсат.	
При наклоне чайника подтекает вода.	На носике есть отверстие. Даже если кнопка открытия крышки находится в заблокированном положении, вода будет вытекать при наклоне чайника.	

ДОПОЛНИТЕЛЬНЫЕ ПРИНАДЛЕЖНОСТИ

ВНИМАНИЕ: Данные принадлежности или приспособления рекомендуются для использования с устройством Makita, указанным в настоящем руководстве. Использование других принадлежностей или приспособлений может привести к травме. Используйте принадлежности и приспособления только по назначению.

Если вам необходимо содействие в получении дополнительной информации по этим принадлежностям, свяжитесь с вашим сервис-центром Makita.

- Оригинальный аккумулятор Makita и утвержденное зарядное устройство Makita

ПРИМЕЧАНИЕ: Некоторые элементы списка могут входить в комплект инструмента в качестве стандартных приспособлений. Они могут отличаться в зависимости от страны.

ЕСКЕРТУ

- Еуропадағы пайдаланушылар үшін:
бұл құрылғыны 8 және одан жоғары жастағы балалардың оларға құрылғыны қауіпсіз пайдалану туралы нұсқаулар беріліп, бақыланған және қауіп-қатерді түсінген жағдайда пайдалануына болады. Балалар 8 жастан аспаған болса және бақылауда болмаса оларға тазалауға және техникалық қызмет көрсетуге тыйым салынады. Құрылғы мен оның сымын 8 жасқа толмаған балалардың қолы жетпейтін жерге қойыңыз.
Құрылғыларды физикалық, сенсорлық немесе ақыл-ой қабілеті төмен немесе тәжірибесі мен білімі жетіспейтін адамдардың оларға құрылғыны қауіпсіз пайдалану туралы нұсқаулар беріліп, бақыланған және қауіп-қатерді түсінген жағдайда пайдалануына болады.
Балалардың құрылғымен ойнауына жол бермеңіз.
- Еуропадан басқа аймақтардағы пайдаланушылар үшін:
бұл құрылғы олардың қауіпсіздігіне жауапты адам құрылғыны пайдалану бойынша қадағалау жүргізіп, нұсқаулар бермейінше дене, сезім немесе ақыл-ой қабілеттері шектеулі, сондай-ақ тәжірибесі мен білімі жеткіліксіз тұлғаларға (соның ішінде балаларға) пайдалануға арналмаған. Балалардың құрылғымен ойнамауын қадағалау қажет.
- Пайдаланушы техникалық қызмет көрсеткен кездегі сақтық шаралары туралы тиісті мәліметті алу үшін "ТЕХНИКАЛЫҚ ҚЫЗМЕТ КӨРСЕТУ" бөлімін қараңыз.
- Аккумулятордың түрі туралы анықтаманы "ТЕХНИКАЛЫҚ СИПАТТАМАЛАРЫ" бөлімінен қараңыз.
- Аккумуляторды шығарып алу немесе орнату жолын "Аккумулятор картриджді орнату немесе алу" бөлімінен қараңыз.
- Аккумулятор картриджді кәдеге жаратқан кезде оны құралдан шығарып алып, қауіпсіз жерде кәдеге жаратыңыз. Аккумуляторды кәдеге жаратуға қатысты жергілікті ережелерді орындаңыз.
- Егер құрал ұзақ уақыт бойы пайдаланылмайтын болса, құралдағы аккумуляторды алып тастау керек.
- Аккумулятор картриджді тұйықтамаңыз.
- Осы құрылғы тұрмыста және келесідей ұқсас орындарда пайдалануға арналған:
 - дүкендер, кеңселер және басқа жұмыс орындарының қызметкерлерге арналған ас үй бөлмелері;
 - шаруа үйлері;
 - қонақүй, мотель және басқа тұруға арналған орындардың клиенттері үшін;
 - шағын қонақүйлер.
- Өрттен және электр тогының соғуынан қорғану үшін құрылғыны және аккумуляторды су немесе басқа сұйықтыққа батырмаңыз.
- Құрылғыны шамадан тыс сумен толтырмаңыз. Қайнаған су шығып, күйдіруі мүмкін.
- ЕСКЕРТУ: су қайнап тұрған кезде қақпақты алмаңыз.
- Бұл аккумулятормен жұмыс істейтін құрылғы, аккумулятор құрылғыдан тыс зарядталады.
- Зарядтау алдында қайта зарядталатын аккумуляторларды құрылғыдан алу қажет.
- Аккумуляторларды дұрыс полярлығымен салу керек.
- Тозған аккумуляторларды құрылғыдан алып, оларды қауіпсіз түрде кәдеге жарату қажет.
- Қуат көзі жалғағыштарына немесе аккумулятор клеммаларына су төгіп алмаңыз.
- Бұл құрылғы суды қайнатуға арналған шәйнек, сондықтан оны дұрыс пайдаланбау жарақатқа әкелуі мүмкін.

ТЕХНИКАЛЫҚ СИПАТТАМАЛАРЫ

Үлгі:	КТ001G
Номиналды кернеу	36 В - 40 В ТТ макс.
Сыйымдылығы	0,8 л
Өлшемдері (Ұ x Е x Б)	235 x 322 x 307 мм (аккумулятор картриджі жоқ)
Таза салмағы *1 (Шайнек және қуат көзі тірегінің біріккен мәні)	2,8 - 5,9 кг (аккумулятор картриджі бар)
Таза салмағы (Тек шайнек)	1,0 кг
Таза салмағы (Тек қуат көзі тірегі)	1,1 кг (аккумулятор картриджі жоқ)
Шамаланған қайнау уақыты *2	шамамен 8 мин. (температурасы 23 °С 0,8 л суды 23 °С қоршаған ортада қайнату кезінде)

*1 Шайнек, қуат көзі тұғыры мен аккумулятор картриджінің ең жеңіл және ең ауыр салмақтар тіркесімі кестеде көрсетілген.

*2 Мәндер аккумулятор түріне, зарядтау күйіне және пайдалану жағдайына байланысты әртүрлі болуы мүмкін.

- Зерттеу мен әзірлеудің үздіксіз бағдарламасына байланысты осы құжаттағы техникалық сипаттамалар ескертусіз өзгертілуі мүмкін.
- Техникалық сипаттамалары әр елде әр түрлі болуы мүмкін.

Қайнатуға болатын су мөлшері

Аккумулятор картриджі (толығымен зарядталған)	Қайнатуға болатын су мөлшері*
BL4020 x 2	1,1 л
BL4025 x 2	1,2 л
BL4040 x 2	2,2 л
BL4050F x 2	3,0 л
BL4080F x 2	4,9 л
PDC1200	11,4 л

* Температурасы 23 °С суды 23 °С қоршаған ортада қайнату кезінде

ЕСКЕРТПЕ: Мөлшері шамаланған және аккумулятор түріне, зарядтау күйіне және пайдалану жағдайына байланысты өзгешеленуі мүмкін.

ЕСКЕРТПЕ: Бір аккумулятор қуатымен қайнатуға болатын су мөлшері екі аккумуляторды пайдаланған кездегі судың жартысына жуығын құрайды.

Жарамды аккумулятор картриджі мен зарядтау құрылғысы

Аккумулятор картриджі	BL4020 / BL4025 / BL4040 / BL4050F / BL4080F
Зарядтау құрылғысы	DC40RA / DC40RB / DC40RC

- Жоғарыда берілген аккумулятор картридждері мен зарядтау құрылғыларының кейбірі сіздің тұрып жатқан жеріңізге байланысты қолжетімсіз болуы мүмкін.

⚠ЕСКЕРТУ: Тек жоғарыда аталған аккумулятор картридждері мен зарядтау құрылғыларын ғана пайдаланыңыз. Аккумулятор картридждері мен зарядтау құрылғыларының басқа түрлерін пайдалансаңыз, жарақат алуыңыз және/немесе өрт шығуы мүмкін.

Сым арқылы жалғанатын ұсынылған қуат көзі

Портативті қуат беру блогы	PDC1200
----------------------------	---------

- Жоғарыда берілген сым арқылы жалғанатын аккумулятор блог(тар)ы тұрып жатқан жеріңізге байланысты қолжетімді болмауы мүмкін.
- Сым арқылы жалғанатын аккумулятор блогын пайдаланудың алдында нұсқаулықты және ондағы ескерту белгілерін оқып шығыңыз.

Белгілер

Төменде жабдықта пайдаланылуы мүмкін белгілер көрсетілген. Пайдалану алдында олардың мағынасын түсініп алыңыз.



Пайдалану жөніндегі нұсқаулықты оқып шығыңыз.



Ескерту: Беті ыстық. Күйік шалу қаупі бар. Суығанша қол тигізбеңіз.



Бұл өнімде қолдануға болатын әдеттегі аккумулятор.



Тек ЕО елдеріне арналған
Жабдықта қауіпті құрамдас­тардың болуына байланысты, электрлік және электрондық жабдықтардың, аккумуляторлар мен батареялардың қалдықтары қоршаған ортаға және адам денсаулығына кері әсерін тигізуі мүмкін. Электрлік және электрондық құрылғыларды немесе батареяларды тұрмыстық қалдықтармен бірге тастауға болмайды!
Электрлік және электрондық жабдықтардың қалдықтары және аккумуляторлар мен батареялар және аккумуляторлар мен батареялардың қалдықтары, сондай-ақ олардың ұлттық заңнамаға бейімделуі туралы Еуропалық директиваға сәйкес, электрлік жабдықтардың, батареялардың және аккумуляторлардың қалдықтары бөлек жиналуы және қоршаған ортаны қорғау ережелеріне сәйкес жұмыс істейтін тұрмыстық қалдықтарды жинау пунктіне жеткізілуі керек.
Бұл жабдыққа орналастырылған айқас сызықпен сызылған деңгелекті қоқыс жәшігінің белгісі арқылы көрсетіледі.



Тек ЕО елдері үшін
Осы өнімді тиісінше кәдеге жарату
Бұл белгі осы өнімді ЕО аумағында басқа тұрмыстық қалдықтармен бірге кәдеге жаратуға болмайтындығын көрсетеді. Қоршаған ортаға немесе адам денсаулығына қалдықтарды бақылаусыз жоюдан болатын ықтимал зиянды болдырмау мақсатында материалдық ресурстарды тұрақты қайта пайдалануға ықпал ету үшін оларды жауапты түрде қайта өңденіңіз. Пайдаланылған құрылғыны қайтару үшін қайтару және жинау жүйелерін пайдаланыңыз немесе өнім сатып алынған сатушыға хабарласыңыз. Олар бұл өнімді экология үшін қауіпсіз қайта өңдеу мақсатында қабылдауы мүмкін.
Жабдықта қауіпті құрамдас­тардың болуына байланысты пайдаланылатын электрлік және электрондық жабдықтар қоршаған ортаға және адам денсаулығына кері әсерін тигізуі мүмкін.

Қолдану мақсаты

Құрылғы су қайнатуға арналған.

ҚАУІПСІЗДІК БОЙЫНША ЕСКЕРТУЛЕР

Аккумуляторлы шайнекке қатысты қауіпсіздік ескертулері

▲ЕСКЕРТУ: МАҢЫЗДЫ! ПАЙДАЛА­НУ АЛДЫНДА барлық қауіпсіздік ескертулері мен нұсқауларын МҰҚИЯТ ОҚЫП ШЫҒЫҢЫЗ. Төменде берілген барлық ескертулер мен нұсқауларды орындамаған жағдайда, электр тогының соғуы, өрт шығуы және/немесе ауыр жарақат алуға себеп болуы мүмкін.

1. **Өндіруші мақұлдамаған керек-жарақтарды пайдаланбаңыз.** Өйтпесе күтпеген жағдай орын алуы мүмкін.
2. **Ыстық беттерге қол тигізбеңіз.** Пайдалану кезінде беттер ыстық болады.
3. **Құрылғыны жарылғыш ортада пайдалануға болмайды.** Өйтпесе, адам күйік алуы немесе өрт шығуы мүмкін.
4. **Құрылғыны жылу көздеріне (пеш т.б.) жақын пайдаланбаңыз.**
5. **Құралды дымқыл немесе ылғалды жерлерде пайдалануға немесе жаңбырда қалдыруға болмайды.** Өйтпесе, құралға су кіріп, адамды электр тогы соғуы мүмкін.
6. **Құрылғыны тегіс, орнықты бетке қойыңыз.**
7. **Қайнау кезінде шүмекті жаппаңыз.** Бу шыға алмай, ақау немесе жарақатқа әкелуі мүмкін.
8. **Құрылғыны тазалау алдында суытыңыз.** Өйтпесе күйіп қалуыңыз мүмкін.
9. **Суы бар құрылғыны жақтызбаңыз.** Ағызу құлпы суды толық тығыздап жаппайды. Ағызу құлпын қосқан кезде де су төгілуі мүмкін.
10. **Қабырға немесе жиһазға бу тимейтіндей құрылғыны орналастырыңыз.** Нәтижесінде түссіздену, бүліну немесе жарықтар пайда болуы мүмкін.
11. **Тек суды қайнатыңыз. Судан басқа сүт, шай немесе сорпаны және т.б. қайнатпаңыз.** Өйтпесе ішіндегі шығып кетіп күйдіруі немесе құрылғы кірлеп немесе ақаулы болуы мүмкін.
12. **Судан басқа бөтелке немесе тостағанды және т.б. сияқты заттарды шайнекке салмаңыз.** Өйтпесе су шығып кетіп жарақатқа әкелуі мүмкін немесе құрылғы кірлеп немесе ақаулы болуы мүмкін.
13. **Қайнаған бойда қақпақты ашпаңыз.** Ашсаңыз, қайнаған су тамшылап, күйіп қалуыңыз мүмкін.

▲ЕСКЕРТУ: Өнімді қайта пайдалану барысында САЛҒЫРТТЫҚ ТАНЫТПАЙ, қауіпсіздік ережелерін ұстаныңыз. Осы пайдалану жөніндегі нұсқаулықта келтірілген қауіпсіздік ережелерін ДҰРЫС ПАЙДАЛА­НБАУ немесе орындамау ауыр жарақаттарға әкеп соқтыруы мүмкін.

Аккумулятормен жұмыс істейтін құрылғыға арналған қауіпсіздік бойынша ескертулер

Аккумулятормен жұмыс істейтін құрылғыны пайдалану және күтім көрсету

1. Кездейсоқ іске қосылуды болдырмаңыз. Аккумулятор жинағын жалғамас бұрын, құрылғыны жинамай тұрып немесе тасымалдамас бұрын, ауыстырып-қосқышы өшірулі күйде екеніне көз жеткізіңіз. Құрылғыны саусағыңызды ауыстырып-қосқышына қойып тасымалдау немесе ауыстырып-қосқышы қосулы құрылғыны қуат көзіне қосу жазатайым оқиғаға әкелуі мүмкін.
2. Қандай да бір түзетулер жасау, керек-жарақтарды ауыстыру немесе құрылғыны сақтау алдында аккумулятор жинағын құрылғыдан ажыратыңыз. Осындай алдын алу шаралары құрылғының кездейсоқ іске қосылу қаупін азайтады.
3. Тек өндіруші көрсеткен зарядтау құрылғысымен зарядтаңыз. Бір аккумулятор блогына сәйкес келетін зарядтау құрылғысын басқа аккумулятор блогымен пайдалану өрт қаупін тудыруы мүмкін.
4. Жабдықтарды тек көрсетілген аккумулятор блоктарымен ғана пайдаланыңыз. Кез келген басқа аккумулятор блоктарын пайдалану жарақат алу мен өрт шығу қаупін тудыруы мүмкін.
5. Аккумулятор блогын пайдаланбаған кезде, оны қағаз қыстырғыштар, тынындар, кілттер, шегелер, бұрандалар сияқты металл заттар мен бір клеммадан екіншісіне қосылыс жасау мүмкін басқа шағын металл заттардан аулақ ұстаңыз. Аккумулятор клеммаларының қысқа тұйықталуы күйік шалуға немесе өртке әкелуі мүмкін.
6. Дұрыс пайдаланбаған кезде аккумулятордан сұйықтық ағуы мүмкін; тиіп кетпеуге тырысыңыз. Егер абайсызда тиіп кетсеңіз, сумен шайыңыз. Егер сұйықтық көзге тиген болса, медициналық көмекке жүгініңіз. Аккумулятордан шыққан сұйықтық тітіркену немесе күйікке себеп болуы мүмкін.
7. Зақымдалған немесе өзгертілген аккумулятор блогын немесе құрылғыны пайдаланбаңыз. Зақымдалған немесе өзгертілген аккумуляторлардан нәтижесінде өрт, жарылыс немесе жарақат алу қаупіне әкелетін күтпеген жағдайлар туындауы мүмкін.
8. Аккумулятор блогын немесе құрылғыны от не шамадан тыс жоғары температура әсерінен сақтаңыз. От немесе 130 °C шамасынан жоғары температура әсері жарылысқа әкелуі мүмкін.
9. Зарядтауға қатысты нұсқаулардың барлығын орындаңыз және аккумулятор блогын немесе құрылғыны көрсетілген температура ауқымынан тыс зарядтамаңыз. Дұрыс зарядтамау немесе көрсетілген ауқымнан тыс температурада зарядтау аккумуляторды зақымдауы және өрт шығу қаупін арттыруы мүмкін.

10. Жөндеу жұмыстарын білікті маман тек тиісті қосалқы бөлшектерді пайдалана отырып орындауы тиіс. Бұл өнімнің қауіпсіздігін қамтамасыз етеді.
11. Құрылғыны немесе аккумулятор жинағын пайдалану және күтім көрсету нұсқауларында сипатталғаннан басқа жолмен өзгертуге немесе жөндеуге әрекет етпеңіз.

Аккумулятор картриджіне арналған маңызды қауіпсіздік нұсқаулары

1. Аккумулятор картриджін пайдаланбас бұрын, (1) аккумулятордың зарядтау құрылғысындағы, (2) аккумулятордағы және (3) аккумуляторды пайдаланатын өнімдегі барлық нұсқаулар мен ескерту білгілерін оқып шығыңыз.
2. Аккумулятор картриджін бөлшектемеңіз немесе өз бетіңізше ашып жөндемеңіз. Ол өрт, шамадан тыс қызу немесе жарылу жағдайларына алып келуі мүмкін.
3. Егер аккумулятор картриджді пайдалану уақыты бірталай қысқарған болса, пайдалануды дереу тоқтатыңыз. Бұл қызып кету, ықтимал күйіктер немесе тіпті жарылыс қаупін тудыруы мүмкін.
4. Егер электролит көзіңізге тиген болса, көзіңізді таза сумен шайыңыз және дереу медициналық көмекке жүгініңіз. Бұл көру қабілетінен айырылуға әкелуі мүмкін.
5. Аккумулятор картриджінің жалғасуларын бір бірімен матастырмаңыз:
 - (1) Клеммаларды кез келген ток өткізгіш материалдарға тигізбеңіз.
 - (2) Аккумулятор картриджінің ішінде шегелер, тынындар, т.б. басқа металл заттары бар контейнерде сақтамаңыз.
 - (3) Аккумулятор блогын суға салмаңыз немесе жаңбыр астында қалдырмаңыз.Аккумулятор түйіспелерінің тұйықталуы үлкен ток ағынының пайда болуына, қызып кетуге, ықтимал күйіктерге және тіпті бұзылуға себеп болуы мүмкін.
6. Құрылғыны және аккумулятор картриджін температурасы 50 °C (122 °F) шамасындағы немесе одан асатын жерлерде сақтамаңыз және пайдаланбаңыз.
7. Аккумулятор блогы қатты зақымдалған немесе толығымен тозған болса да, оны отқа жақпаңыз. Аккумулятор блогы отта жарылып кетуі мүмкін.
8. Аккумулятор картриджін шегелеуге, кесуге, басуға, лақтыруға, құлатуға немесе оны қатты затпен соғуға болмайды. Бұл әрекеттер өрт, шамадан тыс қызу немесе жарылу жағдайларына алып келуі мүмкін.
9. Зақымдалған аккумуляторды пайдаланбаңыз.

10. **Жинаққа кіретін литий-ионды аккумуляторлар денсаулыққа және қоршаған ортаға зиянды заттар заңнамасы талаптарына сәйкес қарастырылады.** Коммерциялық тасымалдау үшін, мысалы, үшінші тараптар, экспедиторлар үшін қаптамада және таңбалауда арнайы талаптар сақталуы тиіс. Жіберілетін өнімді дайындау үшін қауіпті заттар бойынша сарапшы маманмен кеңесу керек. Сонымен қатар ұлттық ережелерді де толық қарап шығыңыз. Ашық түйіспелерді жауып, аккумуляторды қаптамаға қозғалмайтындай етіп орналастырыңыз.
11. **Аккумулятор картриджін көдеге жаратқан кезде, оны құрылғыдан шығарып алып, қауіпсіз жерде көдеге жаратыңыз. Аккумуляторды көдеге жаратуға қатысты жергілікті ережелерді орындаңыз.**
12. **Аккумуляторларды тек Makita компаниясы көрсеткен өнімдермен бірге пайдаланыңыз.** Аккумуляторларды үйлесімді емес өнімдерге орнату өртке, қызып кетуге, жарылысқа немесе электролит ағуына әкеп соқтыруы мүмкін.
13. **Егер құрылғы ұзақ уақыт бойы пайдаланылмайтын болса, құрылғыдағы аккумуляторды алып тастау керек.**
14. **Аккумулятор картриджін пайдалану кезінде және пайдаланғаннан кейін, ол қызып, күйікке немесе төмен температуралы күйікке әкелуі мүмкін. Ыстық аккумулятор картридждерімен жұмыс істегенде сақ болыңыз.**
15. **Пайдаланғаннан кейін құрылғының клеммасын бірден ұстамаңыз, ол күйге себеп болатындай ыстық болуы мүмкін.**
16. **Аккумулятор картриджінің клеммаларына, саңылауларына және ойықтарына жоңқа, шаң немесе кірдің тұрып қалуын болдырмаңыз.** Бұл құрылғының немесе аккумулятор картриджінің өнімділігінің нашарлауына немесе сынуына алып келуі мүмкін.
17. **Құрылғы жоғары вольтты электрлік қуат желілері жанында пайдалануға жарамды болмаса, аккумуляторлық картриджді жоғары вольтты электрлік қуат желілері жанында пайдаланбаңыз.** Бұл құрылғының немесе аккумулятор картриджінің істен шығуына немесе сынуына алып келуі мүмкін.
18. **Аккумуляторды балалардан аулақ ұстаңыз.**

ОСЫ НҰСҚАУЛАРДЫ САҚТАҢЫЗ.

▲САҚ БОЛЫҢЫЗ: Тек түпнұсқа Makita аккумуляторларын пайдаланыңыз. Түпнұсқа емес Makita аккумуляторларын немесе өзгертілген аккумуляторларды пайдалану нәтижесінде өрт, жарақат алу немесе зақымдалуға себеп болатын аккумулятор жарылуына әкелуі мүмкін. Ол сондай-ақ Makita құрылғысы мен зарядтау құрылғысы үшін Makita көпідігінің күшін жояды.

Аккумулятордың максималды қызмет ету мерзімін сақтау бойынша кеңестер

1. **Аккумулятор картриджін қуаты толығымен отырмас бұрын зарядтаңыз.** Құрылғының қуаты аз екендігін байқаған кезде, құрылғы жұмысын тоқтатып, аккумулятор картриджін зарядтаңыз.
2. **Толығымен зарядталған аккумулятор картриджін ешқашан қайта зарядтамаңыз.** Артық зарядтау аккумулятордың қызмет ету мерзімін қысқартады.
3. **Аккумулятор картриджін 10 °C – 40 °C (50 °F – 104 °F) бөлме температурасында зарядтаңыз.** Зарядтама бұрын аккумулятор картриджін суытыңыз.
4. **Аккумулятор картриджін пайдаланбаған уақытта оны құрылғыдан немесе зарядтау құрылғысынан алыңыз.**
5. **Егер аккумулятор картриджін ұзақ уақыт бойы (алты айдан артық) пайдаланбаған болсаңыз, оны зарядтаңыз.**

БӨЛШЕКТЕР СИПАТТАМАСЫ

Шайнек
► Сурет1

1	Шүмек	2	Қақпақ
3	Ағызу құлпының түймесі	4	Қақпақты ашу түймесі
5	Тұтқа	6	Максималды сызығы
7	Су көлемінің шкаласы	8	Қуат көзі жалғағышы (төменгі жағы)
9	Температура датчигі	-	-

Қуат көзі тірегі
► Сурет2

10	Тасымалдау тұтқасы	11	Қуат көзі жалғағышы
12	Қуат ауыстырып-қосқышы	13	Аккумулятор картриджі
14	Температура датчигі	15	Жер датчигінің элементі

ФУНКЦИОНАЛДЫҚ СИПАТТАМАСЫ

▲ САҚ БОЛЫҢЫЗ: Құрылғының функциясын реттеу немесе тексеру алдында, әрдайым құрылғының өшірулі екеніне және аккумулятор картриджінің шығарылғанына көз жеткізіңіз.

Аккумулятор картриджін орнату немесе алу

▲ САҚ БОЛЫҢЫЗ: Аккумулятор картриджін орнатпас немесе алмас бұрын, әрдайым құрылғыны өшіріңіз.

▲ САҚ БОЛЫҢЫЗ: Аккумулятор картриджін орнатқан немесе алған кезде құрылғыны және аккумулятор картриджін мықтап ұстаңыз. Құрылғыны және аккумулятор картриджін мықтап ұстамағаннан олар қолыңыздан сырғанап түсіп, нәтижесінде құрылғының және аккумулятор картриджінің зақымдалуына және жеке жарақат алуға әкеп соқтыруы мүмкін.

Аккумулятор картриджін шығару үшін картридждің алдығы жағындағы түймені сырғыту арқылы оны құралдан сырғытып шығарып алыңыз.

Аккумулятор картриджін орнату үшін, аккумулятор картриджіндегі тілшені корпустың жырашықпен туралап, оны орнына сырғытып салыңыз. Сырт еткен дыбыс естілмейінше оны орнына итеріп салыңыз. Егер түйменің жоғарғы жағында қызыл индикатор көрініп тұрса, демек ол толығымен құлыпталмаған.

► **Сурет3:** 1. Қызыл индикатор 2. Түйме
3. Аккумулятор картриджі

▲ САҚ БОЛЫҢЫЗ: Аккумулятор картриджін әрдайым қызыл индикатор көрінбейтіндей етіп, толығымен орнатыңыз. Олай жасамаған жағдайда, ол құралдан кездейсоқ түсіп қалып, сізді немесе айналаңыздағы адамдарды жарақаттауы мүмкін.

▲ САҚ БОЛЫҢЫЗ: Аккумулятор картриджін күштеп орнатпаңыз. Егер картридж жеңіл сырғымаса, демек ол дұрыс салынбаған.

ЕСКЕРТПЕ: Екі аккумулятор картриджін орнатуға болады, бірақ құрал бір аккумулятор картриджінің қуатымен істейді.

Аккумулятордың қалған қуатын көрсету

Аккумулятордың қалған қуатын көрсету үшін аккумулятор картриджіндегі тексеру түймесін басыңыз. Индикатор шамдары бірнеше секунд жанып тұрады.

► **Сурет4:** 1. Индикатор шамдары 2. Тексеру түймесі

Индикатор шамдары			Қалған қуат
Жанып тұру	Өшірулі	Жыпылықтау	
■ ■ ■ ■	□ □ □ □	▧	75% - 100%
■ ■ ■ □	□ □ □ □	▧	50% - 75%
■ ■ □ □	□ □ □ □	▧	25% - 50%
■ □ □ □	□ □ □ □	▧	0% - 25%
▧ □ □ □	□ □ □ □	▧	Аккумуляторды зарядтаңыз.
■ ■ □ □	□ □ □ □	▧	Аккумулятор ақаулы болуы мүмкін.
□ □ □ □	■ ■ ■ ■	▧	

ЕСКЕРТПЕ: Қолдану жағдайларына және қоршаған ортаның температурасына қарай көрсеткіш нақты қуаттан біршама ерекшеленуі мүмкін.

ЕСКЕРТПЕ: Аккумулятордың қорғаныс жүйесі жұмыс істегенде, бірінші (шеткі сол жақ) индикатор шамы жыпылықтайды.

Құрылғының/аккумулятордың қорғаныс жүйесі

Құрылғы және аккумулятор қорғаныс жүйесімен жабдықталған. Бұл жүйе құрылғы мен аккумулятордың қызмет ету мерзімін ұзарту үшін мотордың қуат көзін автоматты түрде өшіреді. Егер құрылғы немесе аккумулятор төмендегі жағдайлардың біреуіне тап болса, құрылғы жұмыс барысында автоматты түрде тоқтайды.

- Шамадан тыс жүктемеден қорғаныс: құрылғы немесе аккумулятор тоқты тым көп тұтынатын күйінде жұмыс істеген кезде, ол ешбір көрсеткішсіз автоматты түрде тоқтайды. Бұл жағдайда құрылғыны өшіріңіз және құрылғының шамадан тыс жүктелуіне себеп болған жұмысты тоқтатыңыз. Содан кейін қайта іске қосу үшін құрылғыны қосыңыз.
- Қызыл кетуден қорғаныс: құрылғы немесе аккумулятор қызып кетсе, ол автоматты түрде тоқтайды. Оны қайта іске қосу алдында суытып алыңыз.
- Зарядтың шамадан тыс таусылуынан қорғаныс: Аккумулятордың қалған қуаты төмен болған кезде, құрылғы автоматты түрде тоқтайды. Ауыстырып-қосқыштары істеп тұрса да, құрылғы жұмыс істемесе, аккумулятор картриджін құрылғыдан шығарып алып, оны зарядтаңыз.

Басқа ақаулардан қорғау

Сондай-ақ қорғау жүйесі құрылғыны зақымдайтын басқа ақаулардан қорғау үшін жасалған және құрылғыны автоматты түрде тоқтатуға мүмкіндік береді. Құрылғы уақытша тоқтап немесе жұмыс кезінде тоқтап қалса, ақауларды жою үшін келесі қадамдардың барлығын орындаңыз.

1. Құрылғыны өшіріңіз, содан кейін қайта іске қосу үшін оны қайтадан қосыңыз.
2. Аккумулятор(лар)ды зарядтаңыз немесе оны/ оларды қайта зарядталған аккумулятор(лар) мен ауыстырыңыз.
3. Құрылғы мен аккумулятор(лар)ды суытыңыз.

Қорғау жүйесін қалпына келтіру арқылы жақсарту болмаса, Makita компаниясының жергілікті қызмет көрсету орталығына хабарласыңыз.

Сым арқылы жалғанатын қуат көзімен құрылғыны пайдалану

Сым арқылы жалғанатын қуат көзін пайдаланудың алдында нұсқауларды және ондағы ескерту белгілерін оқып шығыңыз.

⚠ ЕСКЕРТУ: Құрылғыны сым арқылы жалғанатын қуат көзімен пайдаланған кезде сым арқылы жалғанатын қуат көзін тұрақты бетке қойыңыз. Құрылғы қозғалмаған күйде пайдаланылады. Арқаңызға салып, тасып келе жатқан сым арқылы жалғанатын қуат көзін пайдалану құлауға әкелуі мүмкін.

ПАЙДАЛАНУ

Жұмысқа дайындық

Құрылғыны алғаш рет немесе ұзақ уақыт сақтағаннан кейін пайдаланған кезде келесі қадамдарды орындаңыз.

1. Құрылғыдан барлық ораушы материалды алыңыз.
2. Шайнек және сүзгінің ішкі жағын тазалаңыз. Оның ішінде шаң болуы мүмкін.

Тазалау әдісі туралы мәліметті алу үшін "ТЕХНИКАЛЫҚ ҚЫЗМЕТ КӨРСЕТУ" бөлімін қараңыз.

Суды қайнату

⚠ САҚ БОЛЫҢЫЗ: Тек суды қайнатыңыз. Судан басқа сұйықтықты қайнатпаңыз.

⚠ САҚ БОЛЫҢЫЗ: Құрылғыны тұрақсыз, адамдар көп өтетін немесе балалардың қолы жететін жерге қоймаңыз. Әйтпесе құрылғы абайсызда аударылып, дене жарақатын тудыруы мүмкін.

⚠ САҚ БОЛЫҢЫЗ: Қақпақты жапқан кезде, қақпақты қатты итеріп, ағызу құлпының түймесін құлыпталған күйіне қойыңыз. Әйтпесе құлаған кезде күйіп қалуыңыз мүмкін.

1. Екі қақпақты ашу түймесін итеріп, қақпақты ашыңыз.
2. Таза, суық судың қалаған мөлшерін шайнекке құйыңыз. Содан кейін қақпақты жабыңыз.

⚠ САҚ БОЛЫҢЫЗ: ағызу құлпының түймесі құлыпталған күйде екеніне көз жеткізіңіз. Әйтпесе қайнаған су абайсызда төгіліп, күйдіруі мүмкін.

⚠ САҚ БОЛЫҢЫЗ: максималды сызықтан асырып су толтырмаңыз. Әйтпесе қайнаған су шығып, күйдіруі мүмкін.

HAZAR AUDARYŇYZ: сусыз қайнауды болдырмаңыз, сусыз құрылғыны қоспаңыз. Әйтпесе түссіздену немесе ақау пайда болуы мүмкін.

► Сурет5

3. Шайнекті қуат көзі тірегіне қойыңыз.

► Сурет6

4. Қуат ауыстырып-қосқышын басыңыз.

Қуат ауыстырып-қосқышы бір сигнал дыбысын шығарып, қызғылт-сары түспен жанады, содан кейін қайнай бастайды.

► Сурет7: 1. Қуат ауыстырып-қосқышы

⚠ САҚ БОЛЫҢЫЗ: қақпақ жабық тұруы керек. Әйтпесе, көп бу шығып, адам күйік алуы мүмкін.

⚠ САҚ БОЛЫҢЫЗ: бу шығатын тесікті бекіту түймешігі бекітілген күйде тұруы керек. Әйтпесе, көп бу шығып, адам күйік алуы мүмкін.

⚠ САҚ БОЛЫҢЫЗ: буға жақындамаңыз. Күйіп қалуыңыз мүмкін.

► Сурет8

⚠ САҚ БОЛЫҢЫЗ: қайнату кезінде немесе қайнатудан кейін аз уақыт өтсе ⚠ белгісінің айналасын және суретте көрсетілген жерде орналасқан металл бөлігіне тимеңіз. Күйіп қалуыңыз мүмкін.

► Сурет9: 1. Өте ыстық болуы мүмкін металл бөлігі

ЕСКЕРТПЕ: қайнағаннан кейін қуат ауыстырып-қосқышын бірден бассаңыз, жоғары температурадан қорғау функциясына байланысты құрылғы жұмыс істемеуі мүмкін. Бұл жағдайда құрылғының суығанын күтіп, қуат ауыстырып-қосқышын қайтадан басыңыз.

Қайнап болғаннан кейін құрылғы бірнеше секунд сигнал дыбысын шығарып, автоматты түрде өшіп қалады.

ЕСКЕРТПЕ: шайнекті немесе қуат көзі тірегін қайнап тұрған кезде көтерсеңіз, құрылғы қайнатуды тоқтатып, қуат ауыстырып-қосқышы қызғылт сары түспен жанады.

— Қуат ауыстырып-қосқышы жанып тұрған кезде шайнекті немесе қуат көзі тірегін орнына қойсаңыз, құрылғы автоматты түрде қайта қайната бастайды.

— Шайнекті немесе қуат көзі тірегін көтергеннен кейін бірнеше секундтан кейін құрылғы өшіріледі.

ЕСКЕРТПЕ: қайнату кезінде аккумулятордың қалған қуаты төмендесе, құрылғы өшіріліп, қуат ауыстырып-қосқышы үш сигнал дыбысын шығарып, бірнеше секунд жыпылықтайды.

ЕСКЕРТПЕ: барлық аккумулятордың қуаты аз болғанда құралды қоссаңыз, құрал бір дыбыстық сигнал беріп, бірнеше секунд ішінде өшеді.

5. Қуат көзі тірегінің тасымалдау тұтқасынан ұстап, шайнекті көтеріңіз.

► **Сурет10**

6. Суды құйыңыз.

▲САҚ БОЛЫҢЫЗ: қайнаған суды құю кезінде күйіп қалудан сақтаныңыз.

Абайсызда судың шығып кетуін болдырмау үшін ағызу құлпының түймесі берілген. Суды құю үшін ағызу құлпының түймесін итеріңіз.

► **Сурет11**

Тасымалдау

▲ЕСКЕРТУ: Суды жылыту кезінде немесе шайнекте қайнаған су болған кезде шайнекті қуат көзі тірегімен бірге тасымалдамаңыз. Әйтпесе құлаған кезде күйіп қалуыңыз мүмкін.

Құрылғыны тасымалдаған кезде тасымалдау тұтқасынан ұстаңыз.

ТЕХНИКАЛЫҚ ҚЫЗМЕТ КӨРСЕТУ

▲ЕСКЕРТУ: Барлық бөлшектерді өкілетті қызмет көрсету орталығында ауыстыру қажет.

▲САҚ БОЛЫҢЫЗ: Тексеру немесе техникалық қызмет көрсету жұмыстарын жүргізуге әрекеттенбес бұрын, әрдайым құрылғының өшірулі екеніне, желіден ажыратылғанына және аккумулятор картриджінің алынғанына көз жеткізіңіз.

▲САҚ БОЛЫҢЫЗ: Қайнаған суды ағызған бойда, шайнекті ұстауға болмайды. Шайнек толық суығанша күтіңіз. Әйтпесе, күйіп қалуыңыз мүмкін.

▲САҚ БОЛЫҢЫЗ: Тексеру немесе техникалық қызмет көрсету жұмыстарын жүргізбес бұрын, әрдайым шайнектің бос екендігін көз жеткізіңіз. Болмаса, апат орын алуы мүмкін.

► **Сурет12**

НАЗАР САЛЫҢЫЗ: Жанармайды, бензинді, сұйылтқышты, спиртті немесе соған ұқсас заттарды ешқашан пайдаланбаңыз. Нәтижесінде түссіздену, бұліну немесе жарықтар пайда болуына әкелуі мүмкін.

НАЗАР САЛЫҢЫЗ: Ыдыс жуғыш, ыдыс кептіргіш немесе фенді қолданбаңыз.

НАЗАР САЛЫҢЫЗ: Жылтыратқыш ұнтақты, ағартқышты, тазартқышты, металл тазалағыш қылшақты, химиялық тазалағыш қылшақты және т.б. пайдаланбаңыз.

НАЗАР САЛЫҢЫЗ: Шайнекті және қуат көзі тірегін жумаңыз. Қуат көзі жалғағышын суламаңыз.

► **Сурет13**

Өнімнің ҚАУІПСІЗДІГІ мен СЕНІМДІЛІГІН қамтамасыз ету үшін, жөндеу жұмыстары, кез келген басқа техникалық қызмет көрсету немесе реттеу әрдайым Makita қосалқы бөлшектерін пайдалану арқылы Makita компаниясының өкілетті немесе зауыттық қызмет көрсету орталықтары тарапынан орындалуы керек.

Тазалау

Құрылғының сырты

Құрылғы суығаннан кейін құрылғының сыртын таза шүберекпен сүртіңіз.

Құрылғы өте кір болса, сабынды суға малынған шүберекті пайдаланыңыз. Содан кейін құрғақ шүберекпен суды сүртіп тастаңыз.

► **Сурет14**

Шайнектің іші

Суретте көрсетілгендей қақпақты шайнектен суырып алыңыз.

► **Сурет15**

Сумен жақсылап шайып, содан кейін ішін құрғатыңыз.

Сүзгі

Суретте көрсетілгендей сүзгіні қақпақтан суырып алыңыз. Сүзгіні жуып, содан кейін оны құрғатыңыз.

► **Сурет16:** 1. Сүзгі

Сүзгі пен қақпақты орнату үшін алу процедурасын кері ретпен орындаңыз.

Шайнектің ішіндегі қақты алу

Құрылғыны пайдалану кезінде шайнектің ішіне қақ жиналады. Қақ қайнатуды тиімсіз етеді. Қақтың барын байқасаңыз, лимон қышқылымен шайнектің ішін тазалаңыз.

1. Қақпақты ашып, қақпақтан сүзгіні алыңыз.
2. Шайнекке суды максималды сызығына дейін құйыңыз.
3. Сатып алуға болатын 40 г (1,4 унция) лимон қышқылын суға қосып, араластырыңыз. Содан кейін қақпақты жабыңыз.
4. Шайнекті қуат көзі тірегіне қойыңыз.
5. Қуат ауыстырып-қосқышын басыңыз.
6. Қайнағаннан кейін шайнекті 1 сағатқа қалдырыңыз.
7. Суды төгіп, шайнектің ішін сумен шайыңыз.

8. Лимон қышқылының дәмін немесе иісін сезсеңіз тек суды қайнатып, төгіп тастаңыз.

Егер кірді кетіру қиынға соқса, 2-7 қадамдарын қайталаңыз.

9. Шайнекті құрғатып, қақпаққа сүзгіні орнатыңыз.

Сақтау

Өрттің немесе күйдің алдын алу үшін құрылғыны сақтаудан бұрын оны толығымен суыту қажет. Зарядталмаған аккумуляторды ұзақ уақыт бойы сақтап қоймаңыз, бұл қызмет ету мерзімін қысқартады.

АҚАУЛЫҚТАРДЫ ЖОЮ

Жөндеу жұмыстарына тапсырыс беруден бұрын, тексерулер жүргізіңіз. Нұсқаулықта көрсетілмеген мәселелер анықталса, машинаны бөлшектеуге әрекеттенбеңіз. Makita компаниясының өкілетті қызмет көрсету орталықтарына хабарласыңыз және жөндеу үшін әрқашан Makita қосалқы бөлшектерін пайдаланыңыз.

Симптом	Ықтимал себеп	Шешім
Істемейді.	Аккумулятор картридждері тиісті түрде орнатылмаған.	Аккумулятор картридждерін осы нұсқаулықта көрсетілгендей орнатыңыз.
	Аккумулятор картридждері шығарылады.	Аккумулятор картридждерін зарядтаңыз.
Қосылған соң көп ұзамай, құрал дыбыстық сигнал беріп өшеді.	Қайнатып болған соң қуат ауыстырып-қосқышын бірден басқаннан кейін температура датчигі жоғары температураны анықтайды.	Бірнеше минуттай құрылғының суығанын күтіңіз.
Қосылған соң көп ұзамай, қуат ауыстырғышы қызғылт сары түсті болып жыпылықтап, құрал өшеді.	Температура датчигінің клеммасы кір.	Құрғақ шүберекпен температура датчигінің кірін сүртіңіз.
	Қуат көзі тірегі қисайып тұр немесе тұрақсыз бетке қойылған.	Құрылғыны тұрақты, тегіс және жазық бетке қойыңыз.
Қайнатып болмаса да, құрал қайнатып болған кездегідей бірнеше секунд дыбыстық сигнал беріп өшеді.	Температура датчигінің клеммасы кір.	Құрғақ шүберекпен температура датчигінің кірін сүртіңіз.
	Шайнектен электр қуаты тұғырында дұрыс тұрған жоқ, себебі шайнектен пен сол тұғыр арасында шаң немесе соған ұқсас заттар жиналған.	Шайнектің түбіндегі немесе электр қуаты тұғырындағы шаңды кетіріңіз.
Қуат ауыстырып-қосқышы қызыл түспен жыпылықтауды тоқтатпайды. (Және қуат ауыстырып-қосқышы шамамен 10 минуттан кейін өшіріледі).	Шайнектегі қуат көзі жалғағышы және/немесе қуат көзі тірегі кір.	Аккумуляторларды алыңыз және құрғақ шүберекпен қуат көзі жалғағышының кірін сүртіңіз.
	Қайнаған су тасып төгіледі.	Су ең жоғарғы деңгей сызығынан асыра қуйылған. Шайнекте судан басқа зат бар.
Қайнаған судың иісі бар.	Құбыр суынан хлор иісі шығуы мүмкін.	
	Ораудан шығарғаннан кейін пайда болған шайыр иісі уақыт өте кетіп қалады.	
Электр қуаты тұғырында су тамшылары бар.	Қайнаған судың буынан құрылғыда тамшы конденсаты пайда болуы мүмкін.	
Шайнекті еңкейткен кезде қайнаған су төгіледі.	Шүмекте саңылау бар. Қақпақты ашу түймесі құлыпталған күйде болса да, шайнекті еңкейткен кезде су төгіледі.	

ҚОСЫМША КЕРЕК-ЖАРАҚТАР

▲ САҚ БОЛЫҢИЗ: Бұл керек-жарақтарды немесе қондырмаларды осы нұсқаулықта көрсетілген Makita құрылғысымен бірге пайдаланған дұрыс. Басқа керек-жарақтарды немесе қондырмаларды пайдалану адамдардың жарақаттануына әкелуі мүмкін. Керек-жарақты немесе қондырманы тек мақсатына сәйкес пайдаланыңыз.

Осы керек-жарақтар туралы қосымша мәлімет алу үшін көмек қажет болса, жергілікті Makita қызмет көрсету орталығына хабарласыңыз.

- Makita түпнұсқа аккумуляторы және Makita рұқсат етілген зарядтау құрылғысы

ЕСКЕРТПЕ: Тізімдегі кейбір элементтер стандартты керек-жарақтар ретінде құралдың қаптамасында болуы мүмкін. Олар елге байланысты әртүрлі болуы мүмкін.

Makita Europe N.V. Jan-Baptist Vinkstraat 2,
3070 Kortenberg, Belgium

Makita Corporation 3-11-8, Sumiyoshi-cho,
Anjo, Aichi 446-8502 Japan

www.makita.com

KT001G-
SE9-KK-2110
EN, SV, NO, FI, DA,
LV, LT, ET, RU, KK
20211124