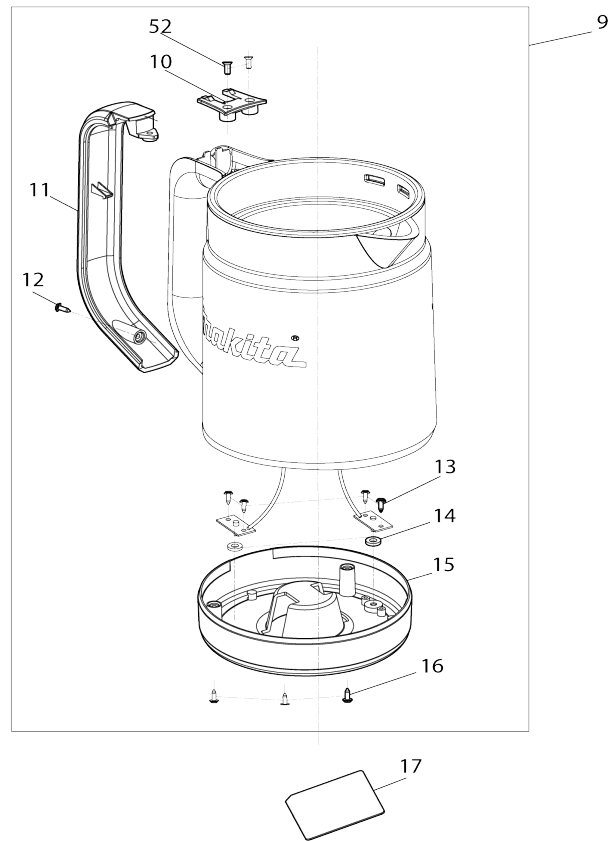
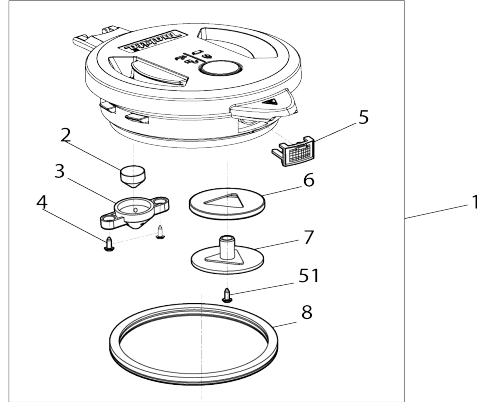
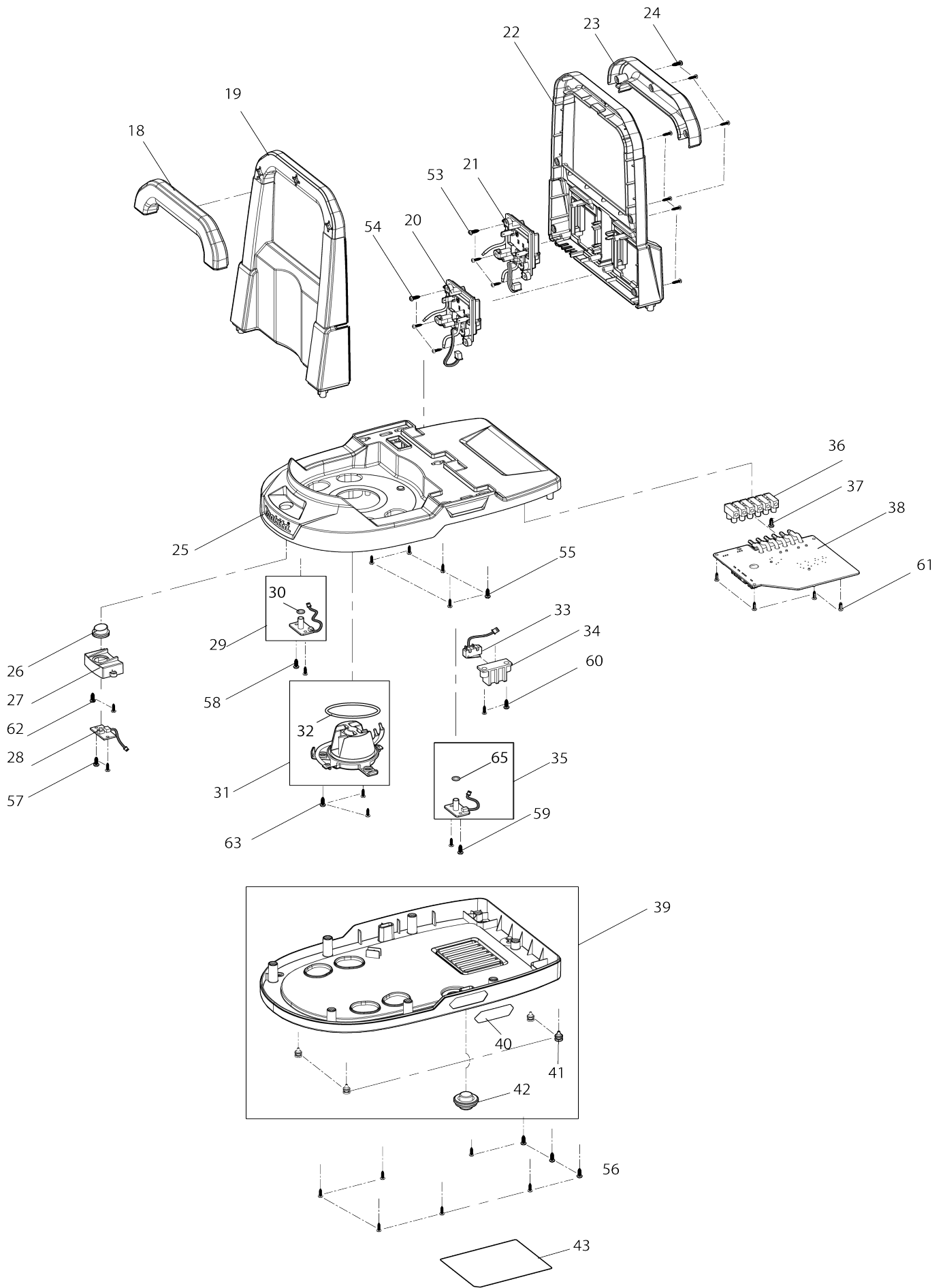


Model No.KT001G CORDLESS KETTLE



Model No.KT001G CORDLESS KETTLE



Model No.KT001G CORDLESS KETTLE

| Numéro d'article | N ° de pièces | Description | Interchangeabilité | Q'ty | Nouvelle / ancienne | Note 1 | Note 2 |
|------------------|---------------|-------------------------------|--------------------|------|---------------------|--------|--------|
| 001 | KF00000076 | TOP COVER ASSEMBLY(BLUE) | | 1 | | | |
| D10 | | INC. 2-8,51 | | | | | |
| 002 | KF00000078 | PLUG | | 1 | | | |
| 003 | KF00000079 | PLUG COVER | | 1 | | | |
| 004 | KF00000080 | COUNTERSUNK SCREW ST3X12 | | 2 | | | |
| 005 | KF00000081 | FILTER NET | | 1 | | | |
| 006 | KF00000082 | SILICONE OF WATER STOPPER | | 1 | | | |
| 007 | KF00000083 | WATER STOPPER | | 1 | | | |
| 008 | KF00000084 | SEAL RING OF COVER | | 1 | | | |
| 009 | KF00000085 | KETTLE ASSEMBLY(BLUE) | | 1 | | | |
| D10 | | INC. 10-16,52 | | | | | |
| 010 | KF00000087 | HANDLE CLIP | | 1 | | | |
| 011 | KF00000088 | HANDLE COVER | | 1 | | | |
| 012 | KF00000002 | TAPPING SCREW ST3X12 | | 1 | | | |
| 013 | KF00000089 | TAPPING SCREW ST3X8 | | 4 | | | |
| 014 | KF00000090 | SEAL RING | | 2 | | | |
| 015 | KF00000091 | BOTTOM COVER | | 1 | | | |
| 016 | KF00000092 | H.L. SOCKET HEAD SCREW T10 | | 3 | | | |
| 017 | KF00000160 | KETTLE NAME PLATE | | 1 | | | |
| 018 | KF00000103 | HANDLE COVER L | | 1 | | | |
| 019 | KF00000164 | HANDLE BASE L(BLUE) | | 1 | | | |
| 020 | KF00000165 | BATTERY HOLDER A | | 1 | | | |
| 021 | KF00000166 | BATTERY HOLDER B | | 1 | | | |
| 022 | KF00000167 | HANDLE BASE R(BLUE) | | 1 | | | |
| 023 | KF00000114 | HANDLE COVER R | | 1 | | | |
| 024 | KF00000211 | TAPPING SCREW ST3X12 | | 7 | | | |
| 025 | KF00000169 | BASE(BLUE) | | 1 | | | |
| 026 | KF00000120 | BUTTON | | 1 | | | |
| 027 | KF00000121 | PCB SWITCH SUPPORT | | 1 | | | |
| 028 | KF00000122 | SWITCH BOARD | | 1 | | | |
| 029 | KF00000193 | NTC BOTTOM CONTACT PAD A ASSY | | 1 | | | |
| D10 | | INC. 30 | | | | | |
| 030 | KF00000119 | SEAL RING | | 1 | | | |
| 031 | KF00000170 | COUPLER ASSEMBLY | | 1 | | | |
| D10 | | INC. 32 | | | | | |
| 032 | KF00000127 | COUPLER BASE SEAL RING | | 1 | | | |
| 033 | KF00000194 | MICRO-SWITCH ASSEMBLY | | 1 | | | |
| 034 | KF00000125 | MICRO-SWITCH SUPPORT | | 1 | | | |
| 035 | KF00000123 | NTC BOTTOM CONTACT PAD B ASSY | | 1 | | | |
| D10 | | INC. 65 | | | | | |
| 036 | KF00000128 | TERMINAL | | 1 | | | |
| 037 | KF00000129 | SCREW ST3X14 | | 1 | | | |
| 038 | KF00000171 | MAIN PCB | | 1 | * | | |
| 038-1 | KF00000239 | MAIN PCB | < | 1 | | | |
| 039 | KF00000172 | BASE COVER ASSEMBLY | | 1 | | | |
| D10 | | INC. 40-42 | | | | | |

| | | | | | | |
|-----|------------|--------------------------|--|---|--|--|
| 040 | KF00000195 | XGT LOGO LABEL | | 1 | | |
| 041 | KF00000028 | FOOT | | 4 | | |
| 042 | KF00000132 | SILICONE BUTTON | | 1 | | |
| 043 | KF00000177 | BASE NAME PLATE | | 1 | | |
| 051 | KF00000080 | COUNTERSUNK SCREW ST3X12 | | 1 | | |
| 052 | KF00000080 | COUNTERSUNK SCREW ST3X12 | | 2 | | |
| 053 | KF00000210 | TAPPING SCREW ST3X12 | | 3 | | |
| 054 | KF00000210 | TAPPING SCREW ST3X12 | | 3 | | |
| 055 | KF00000210 | TAPPING SCREW ST3X12 | | 5 | | |
| 056 | KF00000211 | TAPPING SCREW ST3X12 | | 9 | | |
| 057 | KF00000089 | TAPPING SCREW ST3X8 | | 2 | | |
| 058 | KF00000212 | TAPPING SCREW ST3X8 | | 2 | | |
| 059 | KF00000212 | TAPPING SCREW ST3X8 | | 2 | | |
| 060 | KF00000212 | TAPPING SCREW ST3X8 | | 2 | | |
| 061 | KF00000212 | TAPPING SCREW ST3X8 | | 4 | | |
| 062 | KF00000212 | TAPPING SCREW ST3X8 | | 2 | | |
| 063 | KF00000212 | TAPPING SCREW ST3X8 | | 3 | | |
| 065 | KF00000119 | SEAL RING | | 1 | | |

Veillez indiquer les pièces n ° lorsque votre commande.

Date d'impression 06/06/2024