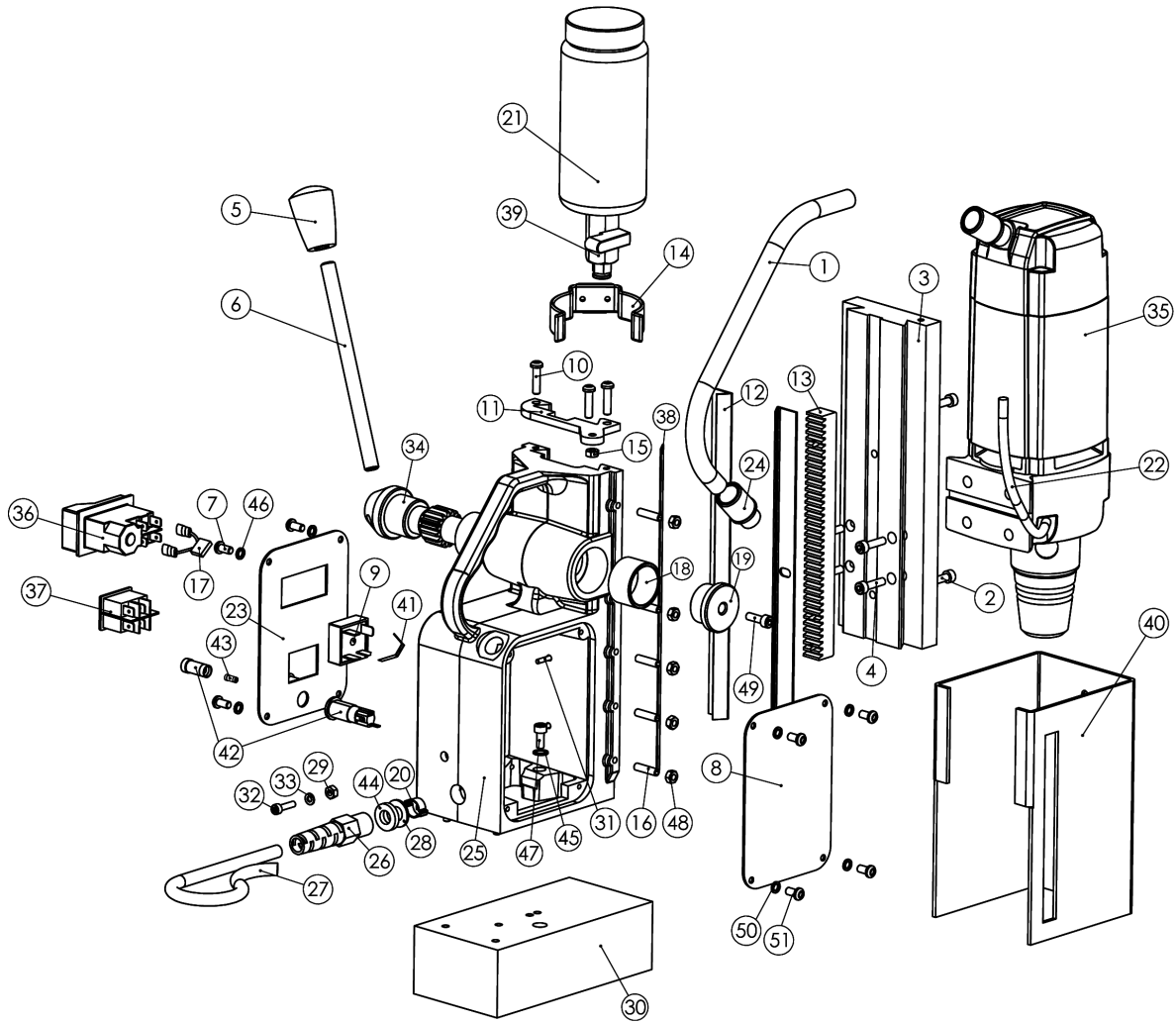
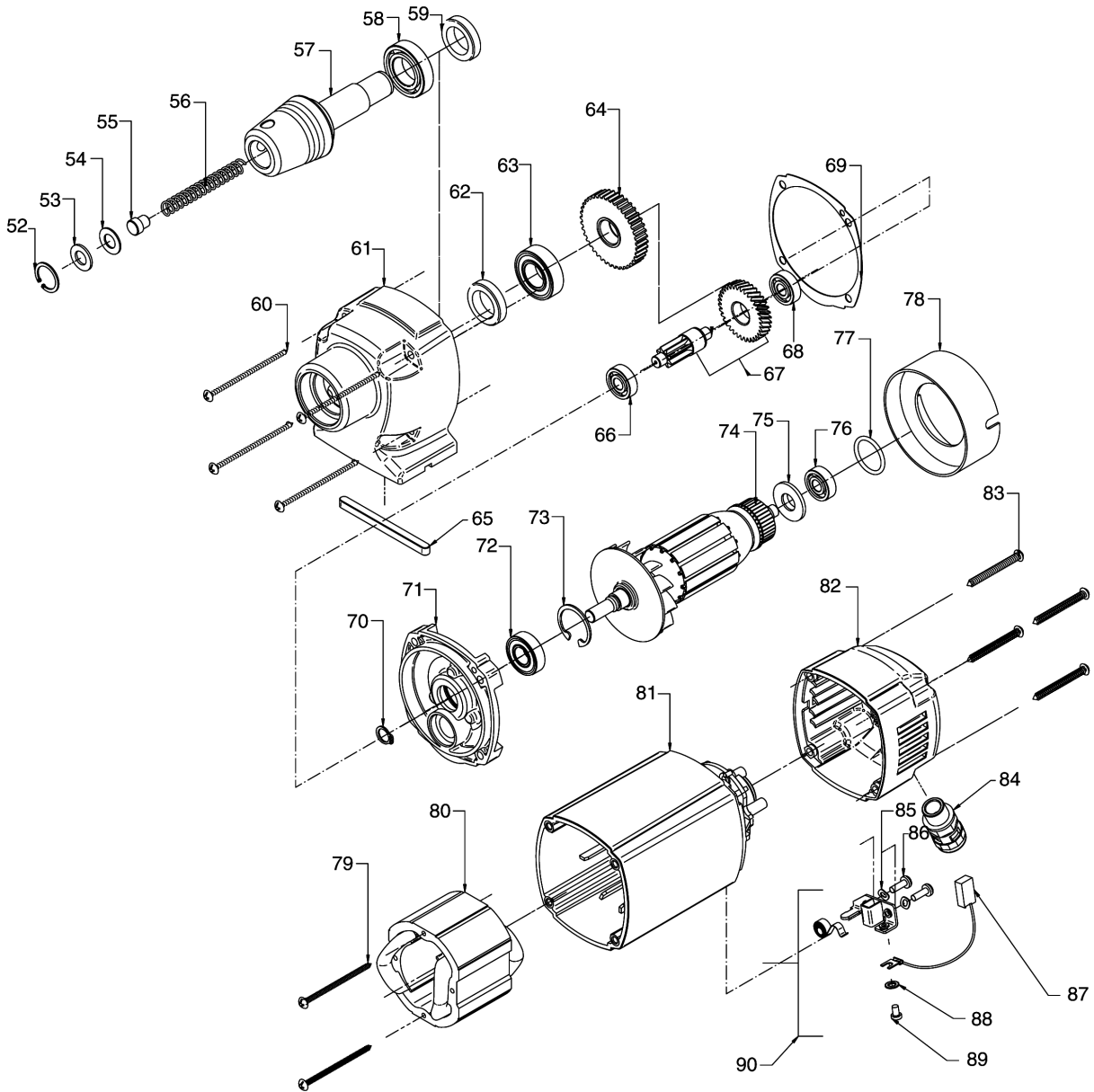


Model No.HB350 MAGNETIC DRILL



Model No.HB350 MAGNETIC DRILL



Model No.HB350 MAGNETIC DRILL

Nimike	Osanumero	Kuvaus	I/C numeromuutos	MÄÄRÄ	New/Old	Myynnit	Ostotil.	HUOMAUTUS
001	UD000M0443	CONDUIT LARGE 12MM		1				
002	UDSC616CAP	HEX SOCKET HEAD BOLT M6X16		2				
003	UD000M1000	SLIDE		1				
004	UDSC625CAP	HEX SOCKET HEAD BOLT M6X25		4				
005	UD000M0841	HANDLE KNOB		1				
006	UD000BD043	HANDLE(10X130)		1				
007	UD0SC46BUT	H.S. BUTTON HEAD BOLT M4X6		4				
008	UD000M1003	WARNING PLATE HB350 CE		1				
009	UD000M0401	BRIDGE RECTIFIER		1				
010	UDSC516CAP	HEX SOCKET HEAD BOLT M5X16		3				
011	UD00M0811A	BRACKET		1				
012	UD000M0101	RAIL		2				
013	UD000M0831	RACK		1				
014	UD0010076C	OIL CUP RETAINING RING		1				
015	UD0010085B	M5 NYLOC NUT		1				
016	UD0010085A	M5X25 GRUB SCREW		5				
017	UD0RD43118	CAPACITOR		1				
018	UD000M0081	PINION BUSH		2				
019	UD000M0072	PINION END CAP (DEEP)		1				
020	UD0RD47179	O CLIP		1				
021	UD0030046A	SMALL OILCUP C/W TAP (BLACK)		1				
022	UD000BD029	6MM OIL PIPE		1				
023	UD000M1001	PANEL PLATE		1				
024	UD00040026	M16 GLAND		1				
025	UDM0001BLK	MAIN HOUSING		1				
026	UD00010231	M16 STRAIN RELIEF GLAND		1				
027	UD00CLBL04	POWER SUPPLY CORD EU		1				
028	UD0RD47187	FLAT WASHER 10		1				
029	UDNUT-M4-B	HEX NUT M4		1				
030	UD000M1020	MAGNET BASE		1				
031	UD0SC46CSK	-COUNTERSUNK HEAD SCREW M4X6		5				
032	UDSC412CSK	-COUNTERSUNK HEAD SCREW M4X12		1				
033	UD0SPWR-M4	TOOTHED LOCK WASHER 4		1				
034	UD000M0041	PINION		1				
035	UD00EIB523	DRILL UNIT 230V		1				
036	UD00NCP002	SWITCH(230V)		1				
037	UD00NCP006	SWITCH		1				

Model No.HB350 MAGNETIC DRILL

Nimike	Osanumero	Kuvaus	I/C numeromuutos	MÄÄRÄ	New/Old	Myynnit	Ostotil.	HUOMAUTUS
038	UD000M0441	PLATE		1				
039	UD00050015	COCK		1				
040	UD00VISO18	GUARD		1				
041	UDW18XC521	VARISTOR 20MM 275VRMS		1				
042	UDW18XC511	FUSE HOLDER		1				
043	UDW18XC512	FUSE		1				
044	UD00UOD009	RUBBER WASHER 10		1				
045	UD0SPWR- M5	FLAT WASHER 6		3				
046	UD0SPWR- M4	TOOTHED LOCK WASHER 4		4				
047	UDSC625CAP	HEX SOCKET HEAD BOLT M6X25		3				
048	UD0010085B	M5 NYLOC NUT		5				
049	UDSC616CAP	HEX SOCKET HEAD BOLT M6X16		1				
050	UD0SPWR- M4	TOOTHED LOCK WASHER 4		4				
051	UD0SC46BUT	H.S. BUTTON HEAD BOLT M4X6		4				
052	UD00EBD030	CIRCLIP		1				
053	UD00EBD029	RUBBER WASHER		1				
054	UD00EBD028	WASHER		1				
055	UD00EBD027	EJECTION PLUG		1				
056	UD00EBD026	COMPRESSION SPRING		1				
057	UD00EIB528	SPINDLE		1				
058	UD00EBD025	BALL BEARING 6904 2RS		1				
059	UD00EBD020	OIL SEAL		1				
060	UD00EBD022	TAPPING SCREW 4.8X60		4				
061	UD00EBD021	GEAR CASE		1				
062	UD00EBD020	OIL SEAL		1				
063	UD00UDC004	BALL BEARING 6003 2RS		1				
064	UD00EBD019	SPINDLE GEAR		1				
065	UD000M1019	KEY		1				
066	UD00UDC022	GROOVED BALL BEARING 608ZZ		1				
067	UD00EBD018	INTERNAL SHAFT ASSY		1				
068	UD00UDC022	GROOVED BALL BEARING 608ZZ		1				
069	UD00EBD017	GASKET		1				
070	UD00EBD016	CIRCLIP		1				
071	UD00EBD015	GEAR CASE COVER		1				
072	UD00UDC023	GROOVED BALL BEARING 6001ZZ		1				
073	UD00EBD014	CIRCLIP		1				
074	UDEBD013-B	ARMATURE 230V		1				
075	UD00EBD012	INSULASION WASHER		1				

Please order the parts with part number.

Print Date 7/12/2021

Model No.HB350 MAGNETIC DRILL

Nimike	Osanumero	Kuvaus	I/C numeromuutos	MÄÄRÄ	New/Old	Myynnit	Ostotil.	HUOMAUTUS
076	UD00UDC022	GROOVED BALL BEARING 608ZZ		1				
077	UD00EBD011	O-RING		1				
078	UD00EBD010	BAFFLE PLATE		1				
079	UD00EBD009	TAPPING SCREW 3.9X60		2				
080	UDEBD008-B	FIELD 230V		1				
081	UD00EIB526	MOTOR HOUSING		1				
082	UD00EIB527	REAR COVER		1				
083	UD00EBD005	TAPPING SCREW 4.8X45		4				
084	UD00040025	PLUG B		1				
085	UD00EBD004	WAVE WASHER 4		2				
086	UD00EBD003	PAN HEAD SCREW M4X12		2				
087	UD00EBD002	CARBON BRUSH		2				
088	UD00EBD031	TOOTHED LOCK WASHER 4		2				
089	UD00EBD032	ROUND HEAD SCREW		2				
090	UD00EBD001	BRUSH HOLDER ASSY		1				
A01	UD00CASE50	CARRY CASE		1				
A02	UD000KEY01	KEY 2.5MM		1				
A03	UD000KEY03	KEY 4MM		1				
A04	UD000KEY04	KEY 5MM		1				
A05	UD0STRAP01	STRAP		1				

Please order the parts with part number.

Print Date 7/12/2021