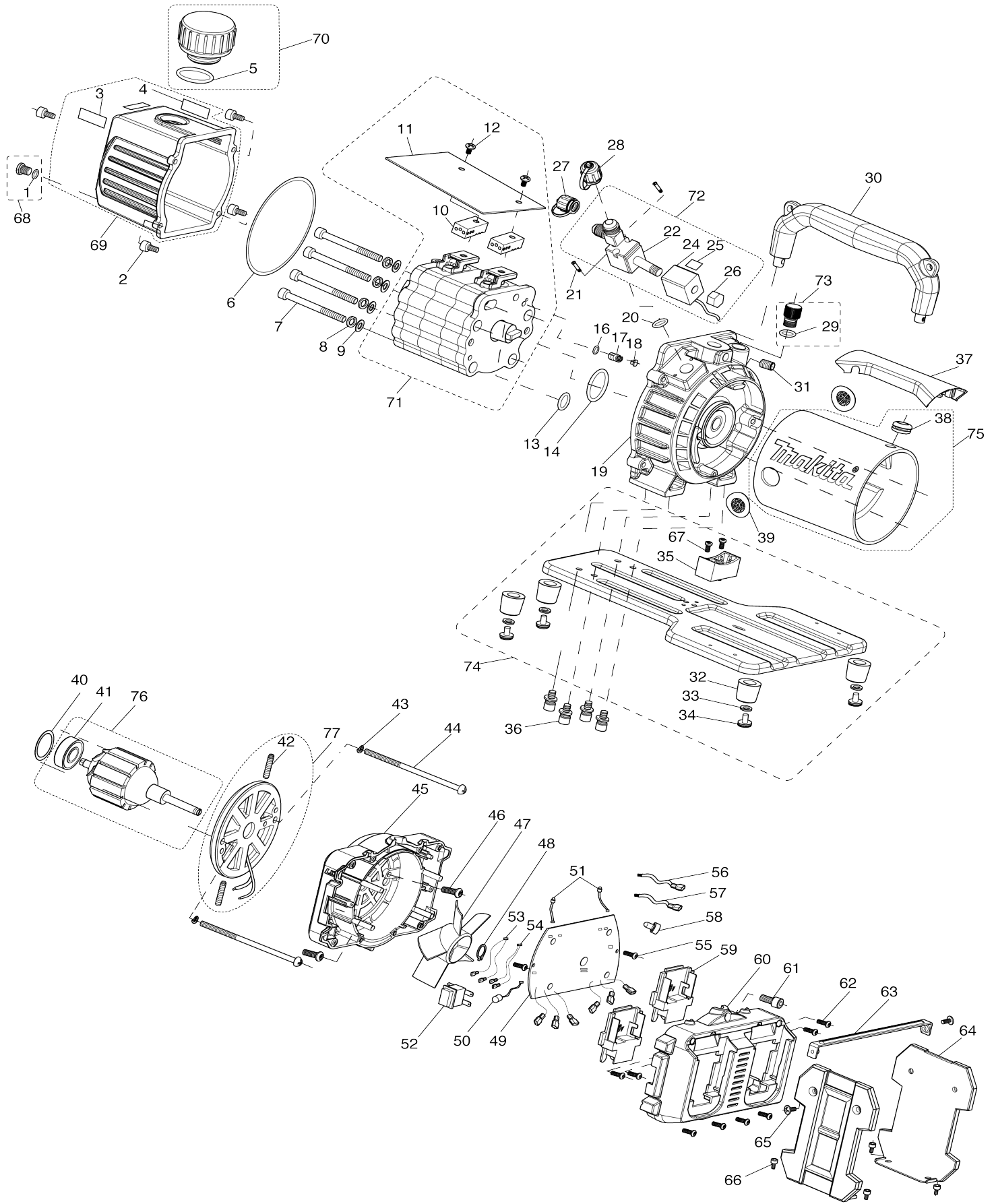


Model No.DVP181 CORDLESS VACUUM PUMP



Model No.DVP181 CORDLESS VACUUM PUMP

Numéro d'article	N ° de pièces	Description	Interchangeabilité	Q'ty	Nouvelle / ancienne	Note 1	Note 2
C20	417191-4	Verrouillage du brassard		1			
C30	417586-1	Barre d'arret		1			
C40	417662-1	Manche		1			
001	AS000VP010	JOINT TORIQUE 10X2,5		1			
002	AS000VP011	BOULON HEXAGON M5X16		4			
003	AS00SS0537	CAUTION LABEL 18X18		1			
004	AS00SS0306	ETIQUETTE (HUILE)		1			
005	AS000VP013	JOINT TORIQUE 26X2,2		1			
006	AS000VP092	O-RING 120X3.1		1			
007	AS000VP093	HEX SOCKET HEAD BOLT M8X90		4			
008	AS000VP094	SPRING WASHER 8		4			
009	AS000VP095	FLAT WASHER 8		4			
010	AS000VP097	VALVE COVER		2			
011	AS000VP098	CAP BOARD		1			
012	AS000VP099	PAN HEAD SCREW M5X8		2			
013	AS000VP100	O-RING 12X1.6		1			
014	AS000VP101	O-RING 34.5X2		1			
016	AS000VP103	O-RING 13X2		1			
017	AS000VP104	SPRING 7X0.5X6		1			
018	AS000VP105	GAS BALLAST VALVE ELEMENT		1			
019	AS00VP106M	TRESTLE MA245		1			
020	AS000VP107	O-RING 15X2		1			
021	AS000VP173	PAN HEAD SCREW M3X25		2			
022	AS000VP109	SOLENOID VALVE ASSY		1			
024	AS000VP111	SOLENOID VALVE C1-18V COIL		1			
025	AS00SS0537	CAUTION LABEL 18X18		1			
026	AS000VP112	SOLENOID VALVE NUT		1			
027	AS000VP017	INLET PORT CAP (5/16")		1			
028	AS000VP113	INLET PORT CAP 4# (3/8SAE)		1			
029	AS000VP115	O-RING		1			
030	AS000VP117	HANDLE MA245		1			
031	AS000VP118	HEX SOCKET HEAD BOLT M8X8		1			
032	AS000VP121	RUBBER BLANKET 5#		4			
033	AS000VP122	FLAT WASHER		4			
034	AS000VP123	PAN HEAD SCREW M4X8		4			
035	AS000VP124	MOTOR SUPPORT		1			
036	AS000VP026	HEXAGON BOLT (W/WASHER) M5 X16		4			
037	AS000VP125	WIRING COVER		1			
038	AS000VP126	RUBBER RING		1			
039	AS000VP020	INLET PORT CAP		2			
040	AS000VP128	BEARING WASHER		1			
041	AS000VP130	BEARING 6201		1			
042	AS000VP132	CARBON BRUSH SPRING DC18V		2			
043	AS000VP027	SPRING WASHER M5		2			
044	AS000VP133	PAN HEAD SCREW M5X130		2			
045	AS000VP134	BATTERY HOLDER F		1			
046	AS000VP066	HEXAGON BOLT M5X12		2			

047	AS000VP135	FAN		1		
048	AS000VP136	CIRCLIP		1	*	
048-1	AS000VP175	CIRCLIP	<	1		
049	AS000VP137	CIRCUIT BOARD B8-18V		1	*	
049-1	AS000VP176	CIRCUIT BOARD	O	1		
050	AS000VP138	BUZZER		1		
051	AS000VP139	LED LAMP		2		
052	AS000VP140	SWITCH		1		
053	AS000VP141	WIRING ASSY L FOR SWITCH		1		
054	AS000VP142	WIRING ASSY S FOR SWITCH		1		
055	AS000VP035	TAPPING SCREW M3X10		2		
056	AS000VP143	RED CONNECTING LINE		1		
057	AS000VP144	BLACK CONNECTING LINE		1		
058	AS000VP145	CLOSED END SPLICE		2		
059	643899-6	Borne		2		
060	AS000VP146	BATTERY HOLDER		1		
061	AS000VP147	HEX SOCKET HEAD BOLT M5X10		1		
062	AS000VP035	TAPPING SCREW M3X10		8		
063	AS000VP148	BATTERY GUARD CONNECTING R OD		1		
064	AS000VP149	BATTERY GUARD		2		
065	AS000VP123	PAN HEAD SCREW M4X8		2		
066	AS000VP174	HEX SOCKET HEAD BOLT M4X10		4		
067	AS000VP123	PAN HEAD SCREW M4X8		2		
068	AS00VP086M	OIL DRAIN PLUG ASSY		1		
D10		INC. 1				
069	AS00VP091M	OIL TANK MA245 ASSY		1		
D10		INC. 3,4				
070	AS000VP087	1XHAUST PORT ASSY		1		
D10		INC. 5				
071	AS000VP096	PUMP HEAD ASSY		1		
D10		INC. 10-12				
072	AS000VP108	SOLENOID VALVE ASSY		1		
D10		INC. 22,24-24				
073	AS000VP114	GAS BALLAST ASSY		1		
D10		INC. 29				
F10	192236-6	Kit de buse d'ancrage		1		
F13	195545-2	Ensemble du manchon avant 38		1		
F14	195546-0	Ensemble du manchon avant 24		1		
F15	195547-8	Ensemble du manchon avant 22		1		
F16	195548-6	Ensemble du joint 22-38		1		
F17	195549-4	Ensemble d'assemblage de buse A		1		
F18	195551-7	Ensemble d'assemblage de buse		1		
F28	198184-7	Ensemble d'assemblage de buse		1		
F32	198533-8	Ensemble d'assemblage de buse		1		
F33	198537-0	Ensemble brosse douce		1		
F34	191496-7	Jeu de tuyau flexible		1		
F36	198552-4	Brosse nettoiyante rotative		1		
F39	198560-5	Ensemble d'assemblage de tube télescopique		1		
F51	198990-0	Jeu de suceur plat long		1		

F56	199039-9	Ensemble du suceur pour siège		1		
F58	199041-2	Ensemble du suceur pour siège		1		
F86	191M77-5	Ensemble A32 du joint		1		
F87	191M78-3	Ensemble B35 du joint		1		
F88	191M79-1	Ensemble C38 du joint		1		
G09	1912G4-5	Jeu de tubes télescopiques complets		1		
G10	1912G5-3	Ensemble du tube cintré complet		1		
074	AS000VP119	BASE ASSY		1		
D10		INC. 32-35,67				
075	AS00VP127M	MOTOR HOUSING ASSY		1		
D10		INC. 38				
076	AS000VP129	ARMATURE ASSY		1		
D10		INC. 41				
077	AS000VP131	MOTOR REAR COVER ASSY		1		
D10		INC. 42				
078	AS000VP177	STRAINER		1		
A01	821822-3	Coffret plastique		1		
A02	AS0Y06110K	ADAPTATEUR		1		
A03	AS0VP083MK	VACUUM PUMP OIL		1		

Veuillez indiquer les pièces n ° lorsque votre commande.

Date d'impression 06/12/2024