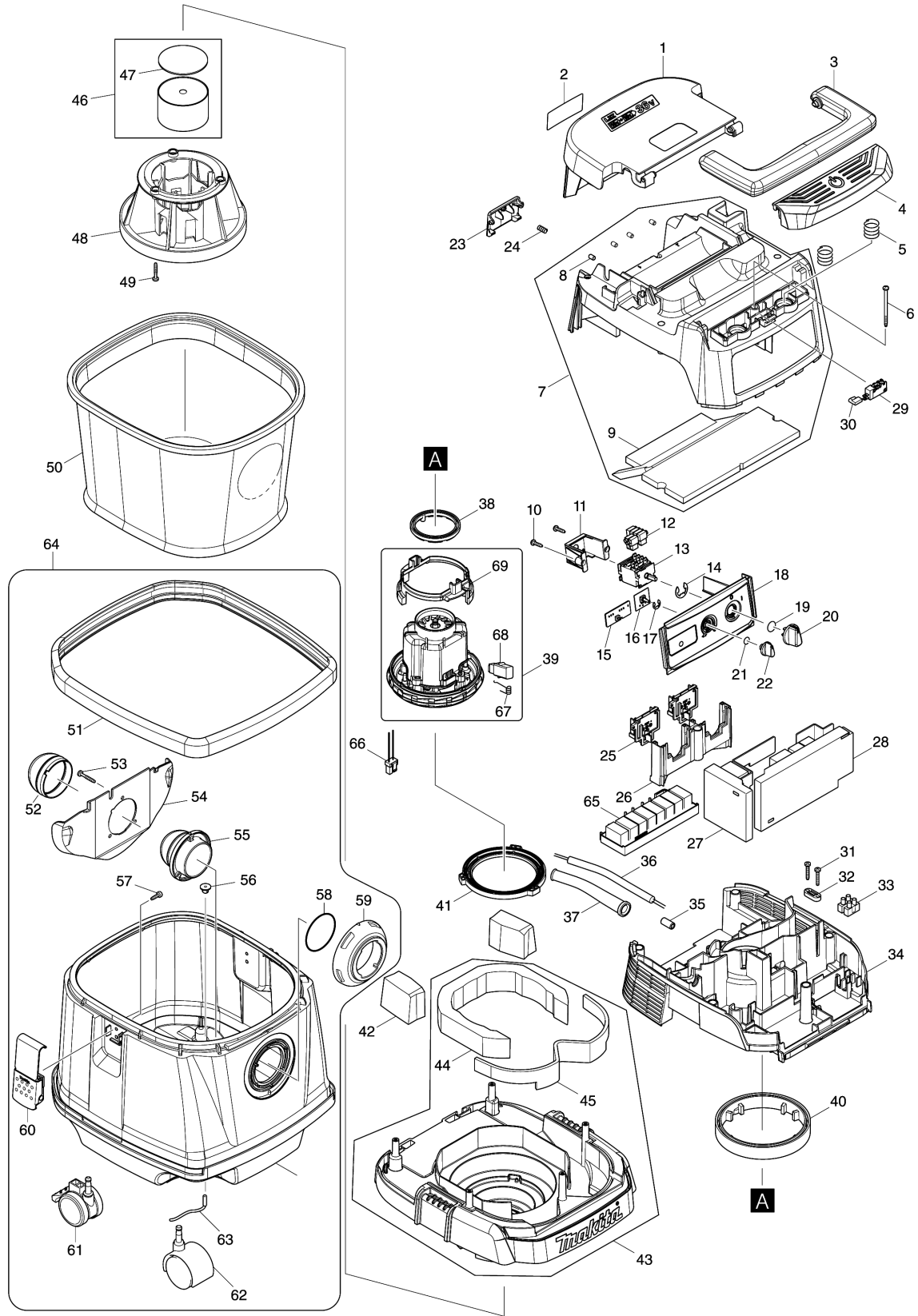


Model No.DVC150L CORDED&CORDLESS VACUUM CLEANER



Model No.DVC150L CORDED&CORDLESS VACUUM CLEANER

Position	Référence pièce	Description	Echange	QTE	New/Old	Option 1	Option 2	COMMENTAIRE
001	143174-5	BATTERY COVER COMPLETE		1			P6	
C10	891977-8	CAUTION LABEL		1			P1	
002	855W31-0	DVC150L NAME PLATE		1				
003	455734-4	GRIP		1			P4	
004	459262-1	SWITCH BUTTON		1				
005	234273-5	COMPRESSION SPRING 20		2		0	P1	
006	266340-8	TAPPING SCREW 4X65		6		0	P1	
007	143173-7	COWLING COMPLETE		1			P15	
D10		INC. 8,9						
008	263005-3	RUBBER PIN 6		4		65	P2	
009	424688-6	TOP DAMPER		1			P68	
010	266326-2	TAPPING SCREW 4X18		2		65	P2	
011	451343-7	SWITCH HOLDER		1		0	P1	
012	686023-8	RECEPTACLE SLEEVE		6		0	P1	
013	650745-6	SWITCH		1			P9	
014	961062-2	STOP RING E-12		1		0	P1	
015	620394-3	LED CIRCUIT		1			P16	
016	631922-9	SUB CONTROLLER		1		4	P13	
017	961013-5	STOP RING E-7		1		0	P1	
018	143176-1	SWITCH BASE COMPLETE		1			P5	
C10	806G39-1	INDICATION LABEL		1				
019	213176-6	O RING 14		1		65	P2	
020	455733-6	SWITCH LEVER		1			P1	
021	213054-0	O RING 9		1		65	P1	
022	451344-5	SWITCH DIAL		1		0	P1	
023	455728-9	BATTERY COVER HOOK		1			P1	
024	231240-1	COMPRESSION SPRING 7		1		65	P2	
025	644808-8	TERMINAL		2		1	P5	
026	455729-7	TERMINAL BASE		1			P2	
027	620406-2	CONTROLLER B		1			P76	
028	620392-7	CONTROLLER A		1			P77	
029	651910-0	SWITCH D2VW-01-3HS		1			P10	
030	686039-3	RECEPTACLE SLEEVE		2			P1	
031	266374-1	TAPPING SCREW 4X25		2		0	P1	
032	687123-7	STRAIN RELIEF		1		0	P1	
033	654561-8	TERMINAL BLOCK		1		1	P4	
034	455726-3	SEPARATER		1			P13	
035	688163-8	LINE FILTER		1		0	P1	
036	666899-9	POWER SUPPLY CORD 1.0-2-0.55		1				
037	682584-6	CORD GUARD		1			P3	
038	424685-2	RUBBER RING 60		1			P1	
039	629156-6	MOTOR ASSEMBLY		1			P75	
D10		INC. 67-69						
040	424686-0	RUBBER RING 120		1			P3	
041	424687-8	SUPPORT RING		1			P2	
042	424690-9	REAR BLOCK FILTER		2			P1	
043	143175-3	TANK COVER COMPLETE		1			P64	

Please order the parts with part number.

Print Date 26/8/2019

Model No.DVC150L CORDED&CORDLESS VACUUM CLEANER

Position	Référence pièce	Description	Echange	QTE	New/Old	Option 1	Option 2	COMMENTAIRE
D10		INC. 44,45						
044	424691-7	BAND DAMPER		1			P5	
045	424689-4	FRONT DAMPER		1			P2	
046	158166-1	FLOAT COMPLETE		1			P2	
D10		INC. 47						
047	423365-7	SPONGE SEAL 70		1		0	P1	
048	419725-9	FLOAT CAGE		1			P2	
049	266374-1	TAPPING SCREW 4X25		3		0	P1	
050	140248-3	CLOTH FILTER COMPLETE		1			P11	
051	422148-2	BUMPER		1				
052	424382-0	RUBBER HOLDER		1		65	P2	
053	266257-5	TAPPING SCREW 4X28		3		0	P1	
054	419351-4	HOLDER PLATE		1		0	P3	
055	419350-6	HOLDER		1		0	P3	
056	421468-1	CORD SEAL		1		0	P1	
057	266192-7	TAPPING SCREW 4X14		4		0	P1	
058	213655-4	O RING 56		1		1	P6	
059	451348-7	INLET		1		1	P5	
060	168537-4	HOOK		2		55	P14	
061	168535-8	CASTER 50		2		2	P9	
062	168434-4	CASTER 50		2		2	P7	
063	649150-2	EARTH LINE 120		1		1	P3	
064	191B56-7	TANK ASSEMBLY SET A		1				
D10		INC. 51-63						
065	620502-6	CONTROLLER C		1			A40	
066	632F97-3	LEAD UNIT		1			P15	
067	DM46312612	BRUSH SPRING		2			P1	
068	197208-6	CARBON BRUSH CB-353		1			P62	
069	DM46714602	BRUSH HOLDER		1			P10	
A01	122512-4	NOZZLE ASS'Y 38		1			P24	
C01	151449-8	ROLLER 40 COMPLETE		2			P2	
C06	415962-3	ROLLER 14		2			P3	
C11	256241-8	PIN 3		2			P2	
C16	265871-4	TAPPING SCREW BT 4X16		6		0	P1	
C21	154427-7	ELBOW JOINT COMPLETE		1			P9	
C26	415965-7	UPPER NOZZLE		1			P7	
C31	415964-9	JOINT HOLDER		1			P67	
C36	743328-0	BRUSH		1			P68	
C41	743327-2	WIPER		1			P68	
A02	195434-1	HOSE COMPLETE 38-2.5 SET		1		A37	A37	
C10	417191-4	CUFF LOCK		1			P11	
C20	417306-3	SLEEVE		2			P68	
C30	417307-1	FRONT CUFF		1			A69	
C40	417586-1	STOPPER		2			P3	
A03	195432-5	POLY BAG SET(650X650)		1		4	A16	
A04	192563-1	STRAIGHT PIPE SET 565-38		1		3	A13	
A05	192562-3	BENDING PIPE		1		2	A14	

Please order the parts with part number.

Print Date 26/8/2019

Model No.DVC150L CORDED&CORDLESS VACUUM CLEANER

Position	Référence pièce	Description	Echange	QTE	New/Old	Option 1	Option 2	COMMENTAIRE
A06	410306-2	CORNER NOZZLE		1		6	A12	
A07	451350-0	STOPPER		1		0	A1	
A08	455732-8	TOOL BOX		1			A62	
A09	911138-5	PAN HEAD SCREW M4X20		1		0	P1	
A10	661914-4	CONNECTION CORD		1			P99	
E01	891978-6	CAUTION LABEL		1				
E04	688161-2	LINE FILTER		1		0	A1	

Please order the parts with part number.

Print Date 26/8/2019