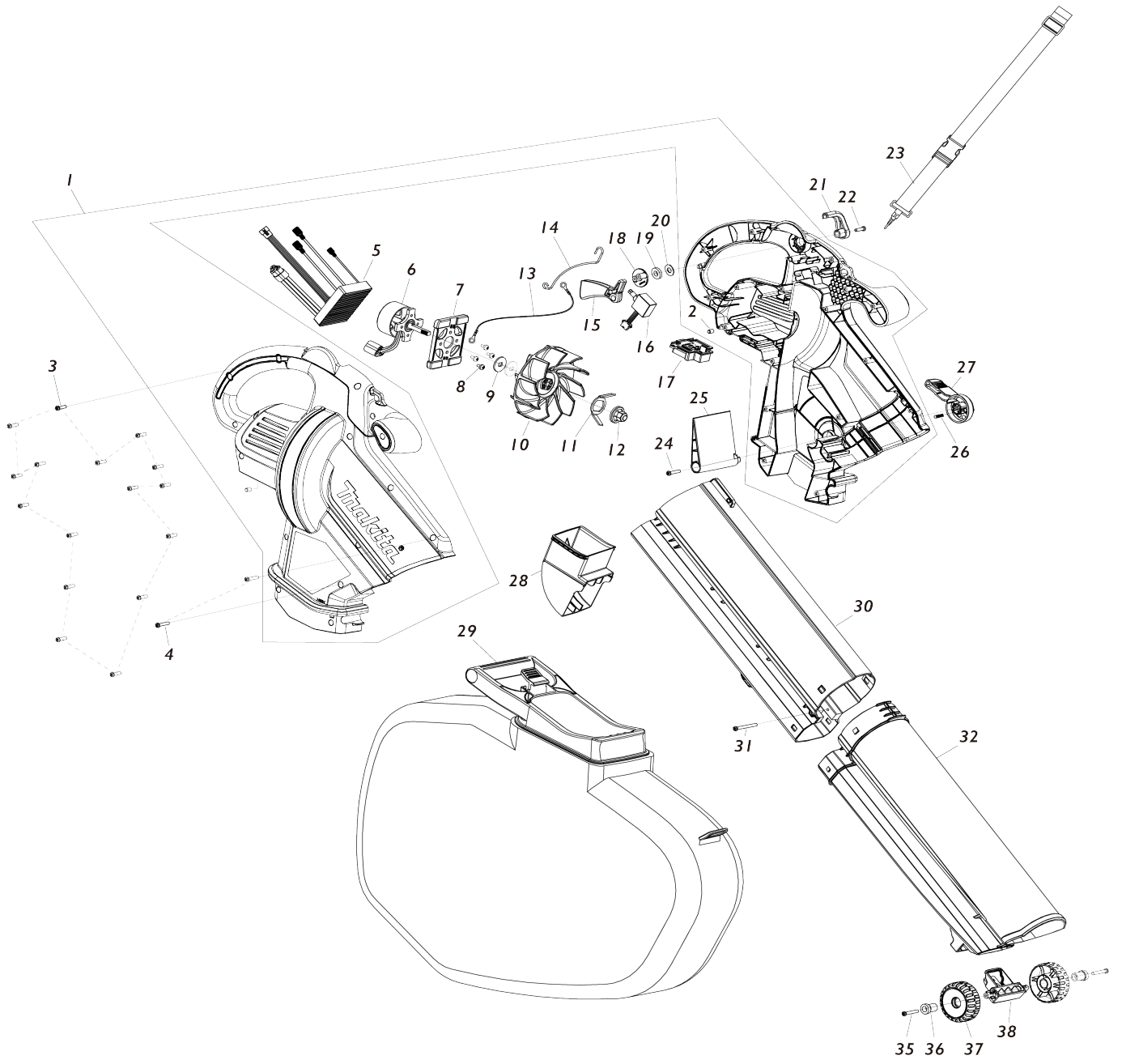


Model No.DUB187 CORDLESS BLOWER



Model No.DUB187 CORDLESS BLOWER

| Numéro d'article | N ° de pièces | Description | Interchangeabilité | Q'ty | Nouvelle / ancienne | Note 1 | Note 2 |
|------------------|---------------|-------------------------------|--------------------|------|---------------------|--------|--------|
| 001 | GB00000172 | HOUSING SET | | 1 | | | |
| D10 | | INC. 2 | | | | | |
| 002 | GB00000072 | RUBBER PIN 5.5X8.5 | | 2 | | | |
| 003 | GB00000003 | TAPPING SCREW ST4.2X15 | | 16 | | | |
| 004 | GB00000025 | TAPPING SCREW ST4.2X20 | | 2 | | | |
| 005 | GB00000183 | CONTROLLER ASSY | | 1 | | | |
| 006 | GB00000191 | BRUSHLESS MOTOR ASSY | | 1 | | | |
| 007 | GB00000181 | MOTOR MOUNT | | 1 | | | |
| 008 | GB00000180 | TRAS HEAD SCREW M8X10 WITH WG | | 4 | | | |
| 009 | GB00000179 | SIM RING 2MM | | 2 | | | |
| 010 | GB00000178 | FAN 115 | | 1 | | | |
| 011 | GB00000177 | SHREDDER BLADE 53 | | 1 | | | |
| 012 | GB00000176 | HEX NUT M8 WITH PLASTIC CAP | | 1 | | | |
| 013 | GB00000174 | ANTI-STATIC WIRE ASSY | | 1 | | | |
| 014 | GB00000173 | ANTI-STATIC STEEL WIRE | | 1 | | | |
| 015 | GB00000010 | SWITCH TRIGGER | | 1 | | | |
| 016 | GB00000175 | SWITCH | | 1 | | | |
| 017 | GB00000124 | TERMINAL | | 1 | * | | |
| 017-1 | GB00000184 | TERMINAL | O | 1 | | | |
| 018 | GB00000008 | SWITCH STOPPER CAM | | 1 | | | |
| 019 | GB00000007 | RUBBER RING 12.5X3.5 | | 1 | | | |
| 020 | GB00000006 | FLAT WASHER 12.5 | | 1 | | | |
| 021 | GB00000004 | SWITCH LEVER | | 1 | | | |
| 022 | GB00000003 | TAPPING SCREW ST4.2X15 | | 1 | | | |
| 023 | GB00000038 | SHOULDER HARNESS ASSY | | 1 | * | | |
| 023-1 | GB00000198 | SHOULDER HARNESS ASSY | X | 1 | | | |
| 024 | GB00000025 | TAPPING SCREW ST4.2X20 | | 1 | | | |
| 025 | GB00000027 | WIND SELECT SHUTTER | | 1 | * | | |
| 025-1 | GB00000199 | WIND SELECT SHUTTER | X | 1 | | | |
| 026 | GB00000041 | SELECTOR STOPPER PIN ASSY | | 1 | | | |
| 027 | GB00000171 | SELECTOR LEVER | | 1 | | | |
| 028 | GB00000192 | SHREDDER DUST OUTLET | | 1 | | | |
| 029 | GB00000185 | DUST BAG ASSY | | 1 | | | |
| 030 | GB00000190 | UPPER TUBE | | 1 | | | |
| 031 | GB00000189 | TAPPING SCREW ST4.2X40 | | 1 | | | |
| 032 | GB00000188 | LOWER TUBE | | 1 | | | |
| 035 | GB00000036 | TAPPING SCREW ST4.2X25 | | 2 | | | |
| 036 | GB00000035 | WHEEL SHAFT | | 2 | | | |
| 037 | GB00000166 | WHEEL 61 | | 2 | | | |
| 038 | GB00000167 | WHEEL BRACKET | | 1 | | | |

Veuillez indiquer les pièces n ° lorsque votre commande.

Date d'impression 06/06/2024