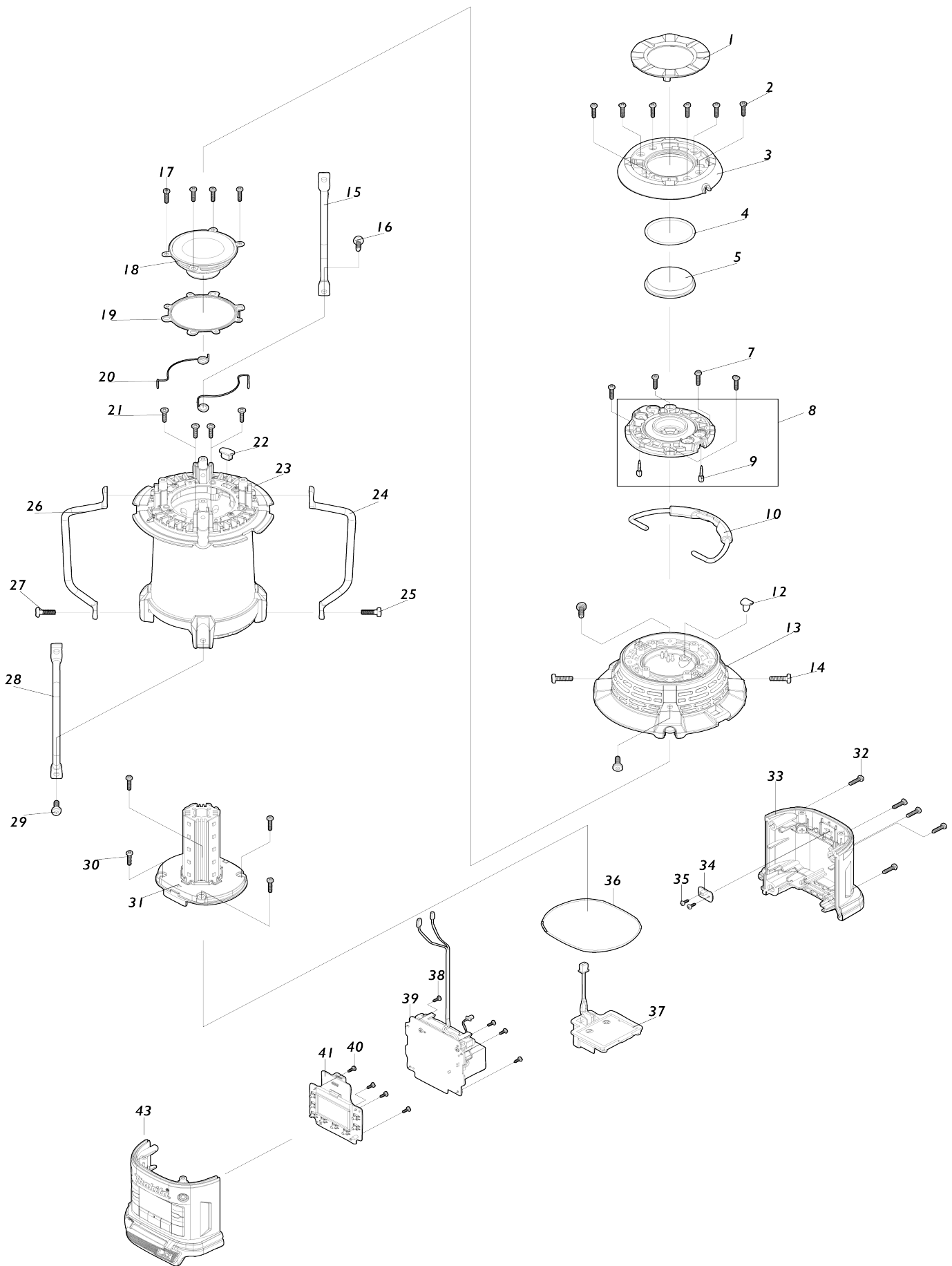


Model No.DMR055 CORDLESS RADIO WITH LANTERN



Model No.DMR055 CORDLESS RADIO WITH LANTERN

Numéro d'article	N ° de pièces	Description	Interchangeabilité	Q'ty	Nouvelle / ancienne	Note 1	Note 2
001	SE00001125	TOP PANEL		1			
002	SE00001127	TAPPING SCREW 3X12(ZK)		6			
003	SE00001128	TOP COVER		1			
004	SE00001129	O RING D37.8 W2		1			
005	SE00001183	COVER		1			
007	SE00001127	TAPPING SCREW 3X12(ZK)		4			
008	SE00001185	LED HOLDER ASS'Y		1			
D10		INC. 9					
009	SE00001136	RUBBER PAD A		2			
010	SE00001137	HANDLE		1			
012	SE00001186	WATERPROOF PLUG C		1			
013	SE00001139	TOP CABINET ASS'Y		1			
014	SE00001140	HEX SOCKET HEAD BOLT M4X16		4			
015	SE00001141	FIXER BAR		1			
016	SE00001142	HEX SOCKET HEAD BOLT M4X13		1	*		
016-1	SE00001216	HEX SOCKET HEAD BOLT M4X13	O	1			
017	SE00001127	TAPPING SCREW 3X12(ZK)		4			
018	SE00001144	SPEAKER		1			
019	SE00001146	PACKING		1			
020	SE00001147	ANT WIRE		2			
021	SE00001127	TAPPING SCREW 3X12(ZK)		4	*		
021-1	SE00001148	SCREW STB 3X12(MC)	X	4			
022	SE00001187	WATERPROOF PLUG D		1			
023	SE00001150	LAMP COVER ASS'Y		1			
024	SE00001141	FIXER BAR		1			
025	SE00001142	HEX SOCKET HEAD BOLT M4X13		1	*		
025-1	SE00001216	HEX SOCKET HEAD BOLT M4X13	O	1			
026	SE00001141	FIXER BAR		1			
027	SE00001142	HEX SOCKET HEAD BOLT M4X13		1	*		
027-1	SE00001216	HEX SOCKET HEAD BOLT M4X13	O	1			
028	SE00001141	FIXER BAR		1			
029	SE00001142	HEX SOCKET HEAD BOLT M4X13		1	*		
029-1	SE00001216	HEX SOCKET HEAD BOLT M4X13	O	1			
030	SE00001127	TAPPING SCREW 3X12(ZK)		4			
031	SE00001188	PCB D+E ASSY		1			
032	SE00001127	TAPPING SCREW 3X12(ZK)		5			
033	SE00001189	REAR BOTTOM CABINET		1			
034	SE00001191	PCB K ASS'Y		1			
035	SE00001160	TAPPING SCREW 2X6		2			
036	SE00001163	BOTTOM CABINET PACKING D1.5xL2		1			
037	SE00001192	TERMINAL		1			
038	SE00001160	TAPPING SCREW 2X6		4			
039	SE00001193	PCB A ASS'Y		1			
040	SE00001160	TAPPING SCREW 2X6		4			
041	SE00001195	PCB C ASS'Y		1			
043	SE00001176	FRONT BOTTOM CABINET ASS'Y		1	*		
043-1	SE00001219	FRONT BOTTOM CABINET ASS'Y	X	1			

A01	SE00001178	STRAP WITH HOOK		1			
-----	------------	-----------------	--	---	--	--	--

Veillez indiquer les pièces n ° lorsque votre commande.

Date d'impression 06/06/2024