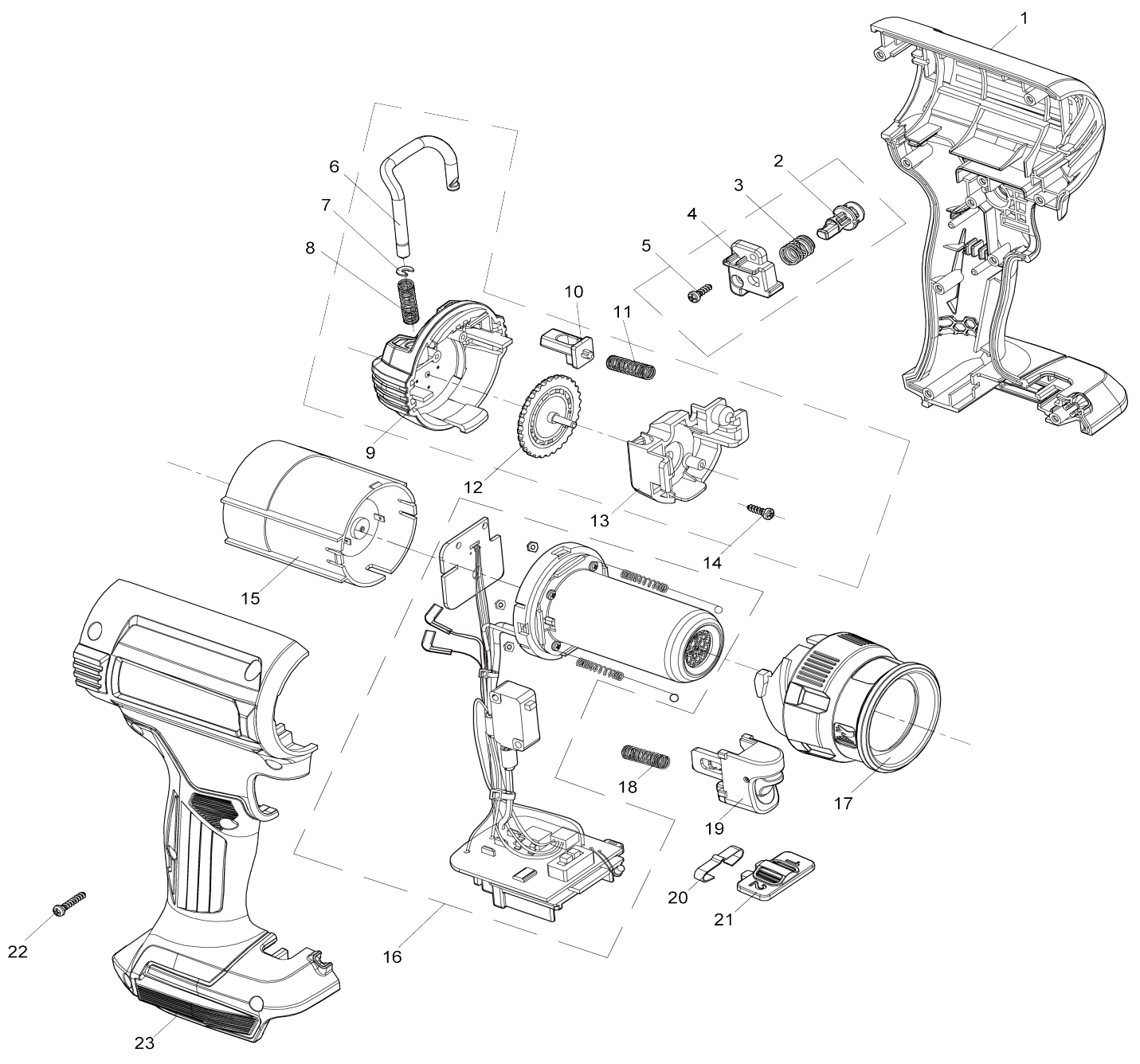


Model No.DHG181 CORDLESS HEAT GUN



Model No.DHG181 CORDLESS HEAT GUN

Numéro d'article	N ° de pièces	Description	Interchangeabilité	Q'ty	Nouvelle / ancienne	Note 1	Note 2
001	PR00000420	HOUSING SET		1			
D10		INC. 23					
002	PR00000380	LOCK ON BUTTON		1			
003	PR00000381	SPRING9		1			
004	PR00000382	SUPPORT FRAME		1			
005	PR00000293	TAPPING SCREW ST2.9X10		2			
006	PR00000383	HOOK		1			
007	PR00000384	SNAP RING		1			
008	PR00000385	SPRING6		1			
009	PR00000421	REAR COVER		1			
010	PR00000422	HOOK BUTTON		1			
011	PR00000388	SPRING5		1			
012	PR00000423	DIAL		1			
013	PR00000425	INNER COVER		1			
014	PR00000293	TAPPING SCREW ST2.9X10		3			
015	PR00000390	MOTOR ASSEMBLY		1	*		
015-1	PR00000515	MOTOR ASSEMBLY	<	1			
016	PR00000427	HEATER ASSEMBLY		1	*		
C10	PR00000424	NUT 2.5		2	*		
C20	PR00000426	SCREW 2.5X10		2	*		
C30	PR00000428	TENSION SPRING 3		2	*		
016-1	PR00000498	HEATER ASSEMBLY	O	1			
C10	PR00000424	NUT 2.5		2			
C20	PR00000426	SCREW 2.5X10		2			
C30	PR00000428	TENSION SPRING 3		2			
017	PR00000392	FRONT COVER ASSEMBLY		1			
018	PR00000393	SPRING 4		1			
019	PR00000394	TRIGGER ASSEMBLY		1			
020	PR00000429	LEAF SPRING		1			
021	PR00000430	CHANGE LEVER		1			
022	PR00000395	TAPPING SCREW ST2.9X16		8			
023	PR00000420	HOUSING SET		1			
D10		INC. 1					
A01	PR00000031	REDUCTION NOZZLE 20mm		1			
A02	PR00000030	REFLECTOR NOZZLE		1			
A03	PR00000029	WIDE-SLOT NOZZLE		1			
A04	PR00000028	GLASS PROTECTION NOZZLE		1			
A05	PR00000404	PLASTIC CASE		1			

Veuillez indiquer les pièces n ° lorsque votre commande.

Date d'impression 09/16/2024