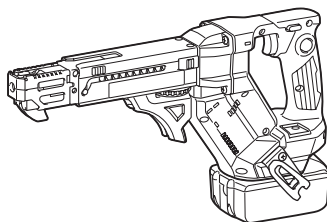
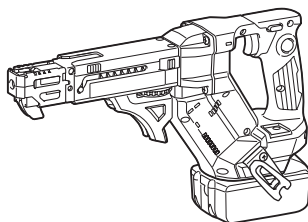




EN	Cordless Auto Feed Screwdriver	INSTRUCTION MANUAL	6
FR	Visseuse Automatique sans Fil	MANUEL D'INSTRUCTIONS	13
DE	Akku-Schnellbau-Magazin-Schrauber	BETRIEBSANLEITUNG	21
IT	Avvitatore autoalimentato a batteria	ISTRUZIONI PER L'USO	29
NL	Accuschroefautomaat	GEBRUIKSAANWIJZING	37
ES	Atornillador Autoalimentado Inalámbrico	MANUAL DE INSTRUCCIONES	45
PT	Parafusadeira de Autoalimentação a Bateria	MANUAL DE INSTRUÇÕES	53
EL	Φορητή κατσαβιδιέρα με αυτόματη τροφοδότηση	ΕΓΧΕΙΡΙΔΙΟ ΟΔΗΓΙΩΝ	61
TR	Akülü Otomatik Beslemeli Tornavida	KULLANMA KILAVUZU	69

DFR452
DFR453
DFR551
DFR552



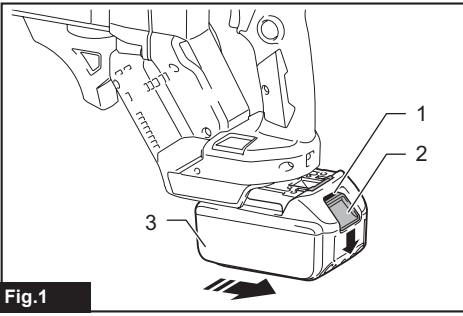


Fig.1

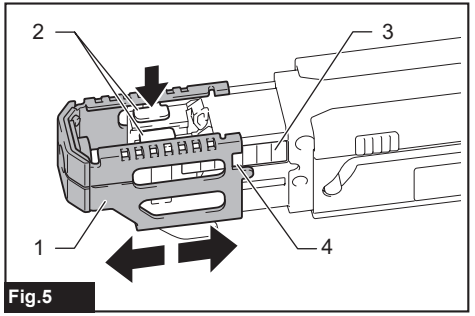


Fig.5

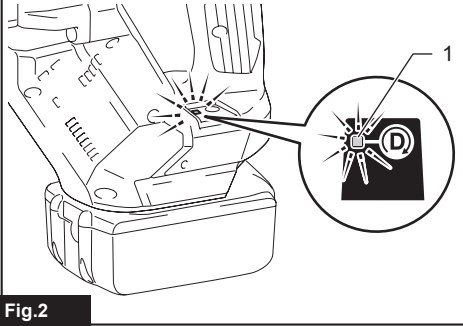


Fig.2

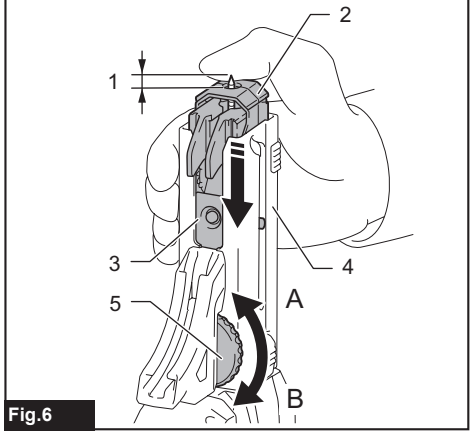


Fig.6

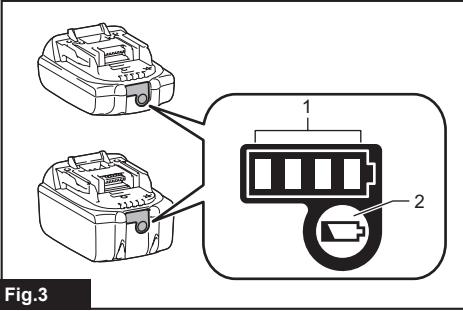


Fig.3

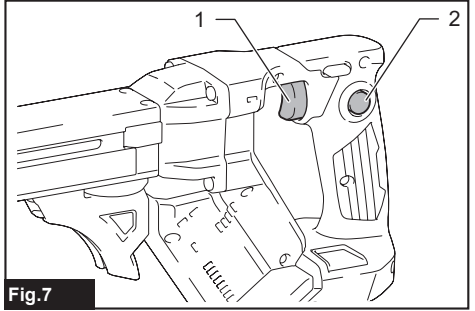


Fig.7

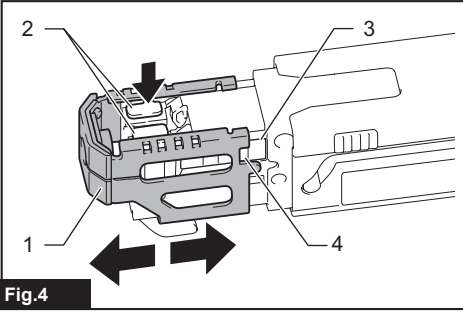


Fig.4

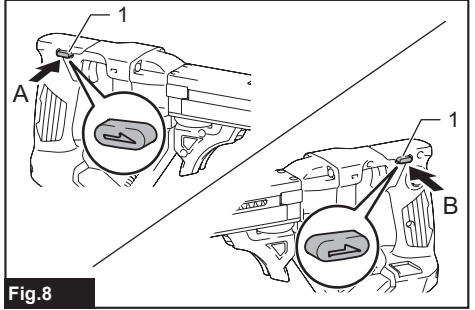
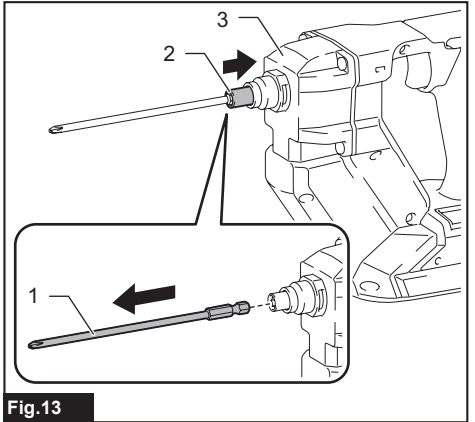
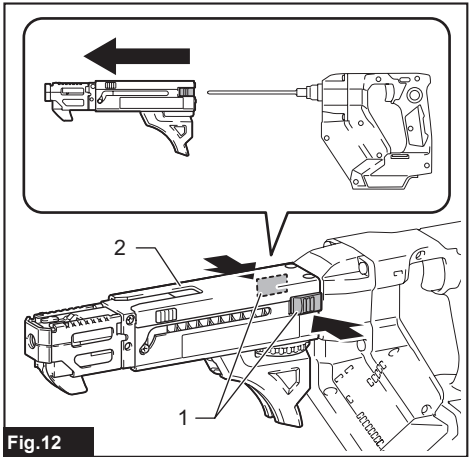
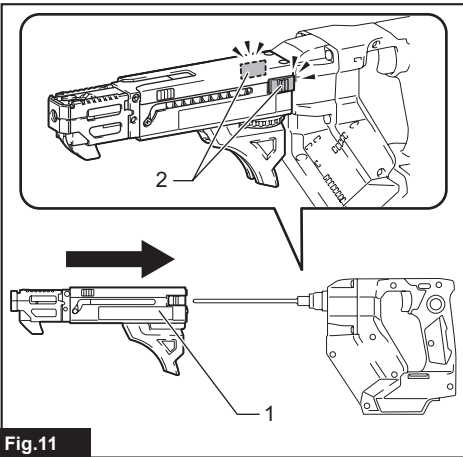
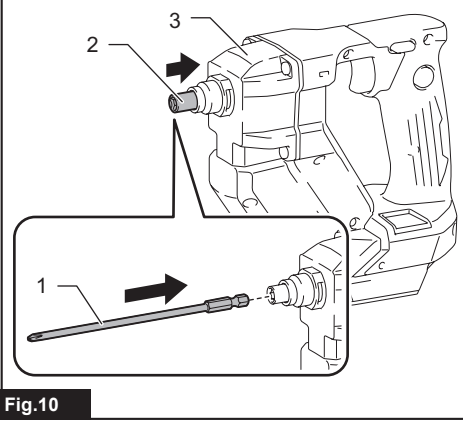
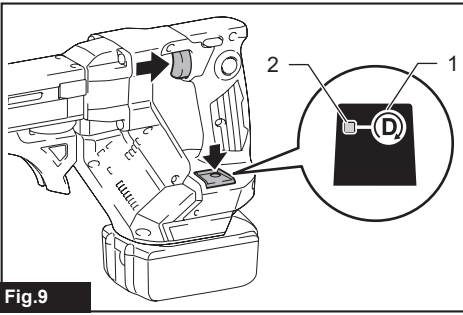


Fig.8



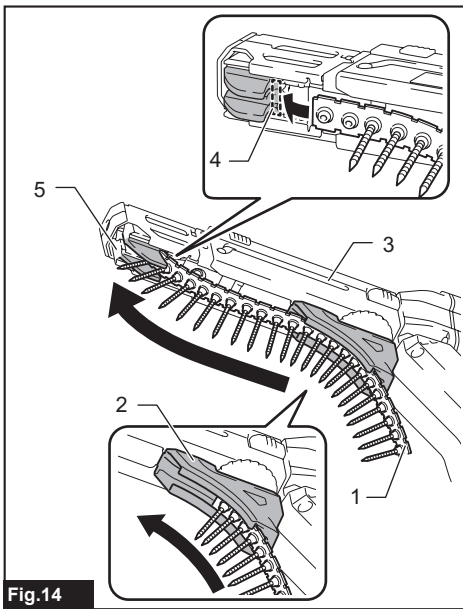


Fig. 14

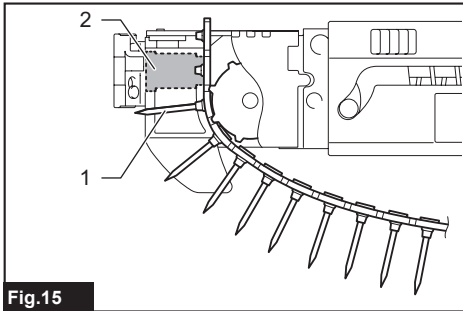


Fig. 15

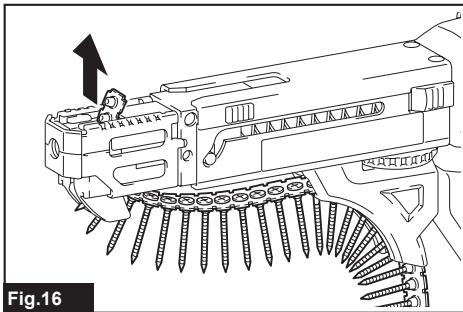


Fig. 16

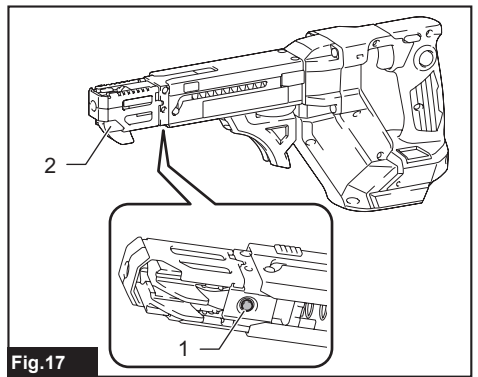


Fig. 17

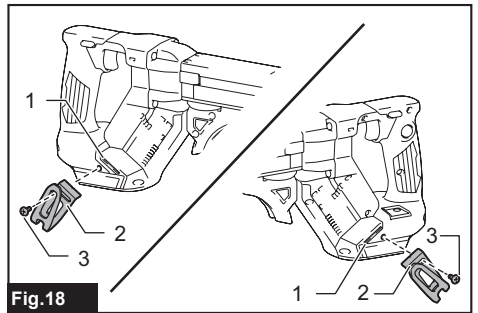


Fig. 18

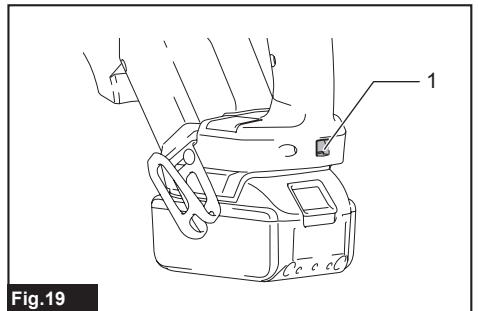


Fig. 19

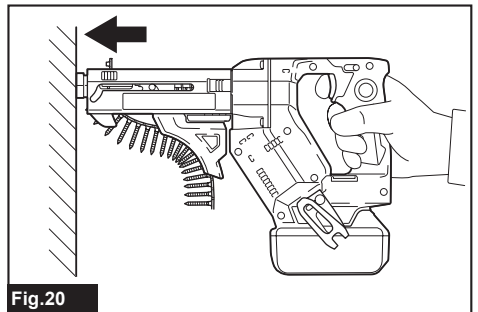


Fig. 20

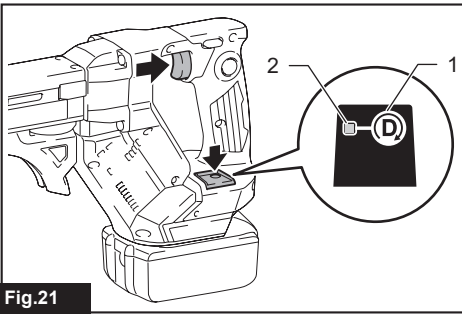


Fig.21

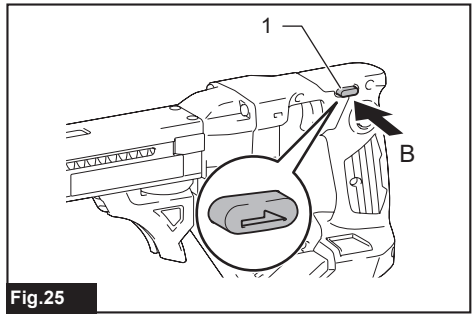


Fig.25

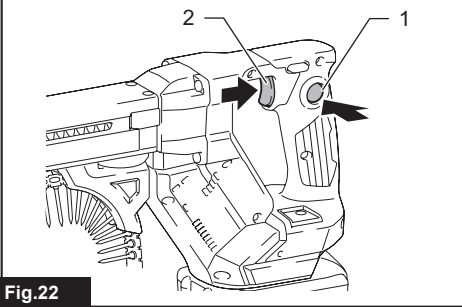


Fig.22

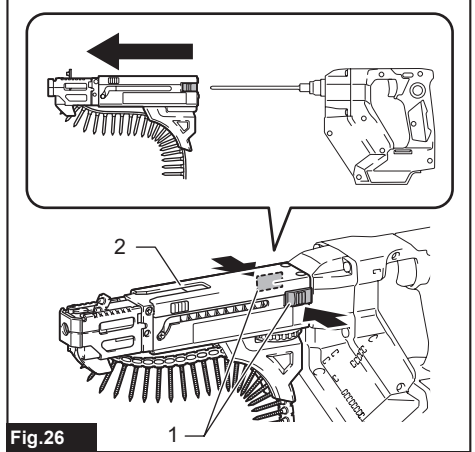


Fig.26

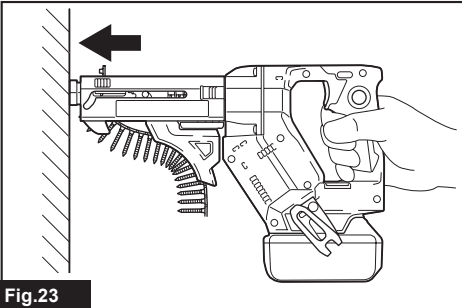


Fig.23

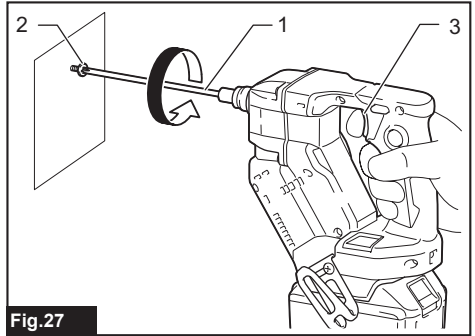


Fig.27

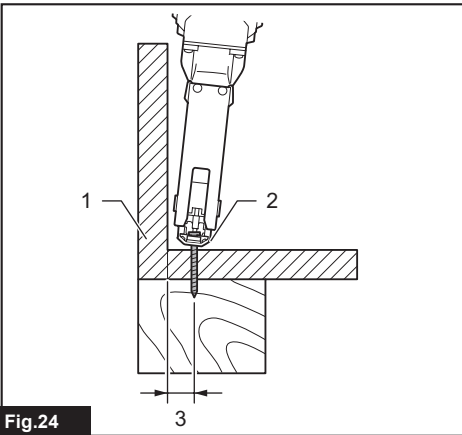


Fig.24

SPECIFICATIONS

Model:	DFR452	DFR453	DFR551	DFR552
Screw strip	ø3.5 mm x 20 mm - ø4.2 mm x 41 mm		ø3.5 mm x 25 mm - ø4.2 mm x 55 mm	
No load speed	0 - 6,000 min ⁻¹	0 - 4,500 min ⁻¹	0 - 6,000 min ⁻¹	0 - 4,500 min ⁻¹
Overall length	360 mm		396 mm	
Rated voltage	D.C. 18 V			
Net weight	1.9 - 2.2 kg			

- Due to our continuing program of research and development, the specifications herein are subject to change without notice.
- Specifications may differ from country to country.
- The weight may differ depending on the attachment(s), including the battery cartridge. The lightest and heaviest combinations, according to EPTA-Procedure 01/2014, are shown in the table.

Applicable battery cartridge and charger

Battery cartridge	BL1815N / BL1820B / BL1830B / BL1840B / BL1850B / BL1860B
Charger	DC18RC / DC18RD / DC18RE / DC18SD / DC18SE / DC18SF / DC18SH / DC18WC

- Some of the battery cartridges and chargers listed above may not be available depending on your region of residence.

⚠ WARNING: Only use the battery cartridges and chargers listed above. Use of any other battery cartridges and chargers may cause injury and/or fire.

Intended use

The tool is intended for screw driving in wood, metal and plastic.

Noise

The typical A-weighted noise level determined according to EN62841-2-2:

Model	Sound pressure level (L _{PA}) : (dB(A))	Uncertainty (K) : (dB(A))
DFR452	78	3
DFR453	79	3
DFR551	77	3
DFR552	78	3

The noise level under working may exceed 80 dB (A).

NOTE: The declared noise emission value(s) has been measured in accordance with a standard test method and may be used for comparing one tool with another.

NOTE: The declared noise emission value(s) may also be used in a preliminary assessment of exposure.

⚠ WARNING: Wear ear protection.

⚠ WARNING: The noise emission during actual use of the power tool can differ from the declared value(s) depending on the ways in which the tool is used especially what kind of workpiece is processed.

⚠ WARNING: Be sure to identify safety measures to protect the operator that are based on an estimation of exposure in the actual conditions of use (taking account of all parts of the operating cycle such as the times when the tool is switched off and when it is running idle in addition to the trigger time).

Vibration

The vibration total value (tri-axial vector sum) determined according to EN62841-2-2:

Work mode: screwdriving without impact

Model	Vibration emission (a _h) : (m/s ²)	Uncertainty (K) : (m/s ²)
DFR452	2.5 m/s ² or less	1.5 m/s ²
DFR453		
DFR551		
DFR552		

NOTE: The declared vibration total value(s) has been measured in accordance with a standard test method and may be used for comparing one tool with another.

NOTE: The declared vibration total value(s) may also be used in a preliminary assessment of exposure.

⚠️WARNING: The vibration emission during actual use of the power tool can differ from the declared value(s) depending on the ways in which the tool is used especially what kind of workpiece is processed.

⚠️WARNING: Be sure to identify safety measures to protect the operator that are based on an estimation of exposure in the actual conditions of use (taking account of all parts of the operating cycle such as the times when the tool is switched off and when it is running idle in addition to the trigger time).

Declarations of Conformity

For European countries only

The Declarations of conformity are included in Annex A to this instruction manual.

SAFETY WARNINGS

General power tool safety warnings

⚠️WARNING Read all safety warnings, instructions, illustrations and specifications provided with this power tool. Failure to follow all instructions listed below may result in electric shock, fire and/or serious injury.

Save all warnings and instructions for future reference.

The term "power tool" in the warnings refers to your mains-operated (corded) power tool or battery-operated (cordless) power tool.

Cordless screwdriver safety warnings

1. **Hold the power tool by insulated gripping surfaces, when performing an operation where the fastener may contact hidden wiring.** Fasteners contacting a "live" wire may make exposed metal parts of the power tool "live" and could give the operator an electric shock.
2. **Always be sure you have a firm footing. Be sure no one is below when using the tool in high locations.**
3. **Hold the tool firmly.**
4. **Keep hands away from rotating parts.**
5. **Do not touch the bit or the workpiece immediately after operation; they may be extremely hot and could burn your skin.**
6. **Always secure workpiece in a vise or similar hold-down device.**
7. **Make sure there are no electrical cables, water pipes, gas pipes etc. that could cause a hazard if damaged by use of the tool.**

SAVE THESE INSTRUCTIONS.

⚠️WARNING: DO NOT let comfort or familiarity with product (gained from repeated use) replace strict adherence to safety rules for the subject product.

MISUSE or failure to follow the safety rules stated in this instruction manual may cause serious personal injury.

Important safety instructions for battery cartridge

1. **Before using battery cartridge, read all instructions and cautionary markings on (1) battery charger, (2) battery, and (3) product using battery.**
2. **Do not disassemble or tamper with the battery cartridge.** It may result in a fire, excessive heat, or explosion.
3. **If operating time has become excessively shorter, stop operating immediately.** It may result in a risk of overheating, possible burns and even an explosion.
4. **If electrolyte gets into your eyes, rinse them out with clear water and seek medical attention right away.** It may result in loss of your eyesight.
5. **Do not short the battery cartridge:**
 - (1) **Do not touch the terminals with any conductive material.**
 - (2) **Avoid storing battery cartridge in a container with other metal objects such as nails, coins, etc.**
 - (3) **Do not expose battery cartridge to water or rain.**

A battery short can cause a large current flow, overheating, possible burns and even a breakdown.

6. **Do not store and use the tool and battery cartridge in locations where the temperature may reach or exceed 50 °C (122 °F).**
7. **Do not incinerate the battery cartridge even if it is severely damaged or is completely worn out. The battery cartridge can explode in a fire.**
8. **Do not nail, cut, crush, throw, drop the battery cartridge, or hit against a hard object to the battery cartridge.** Such conduct may result in a fire, excessive heat, or explosion.
9. **Do not use a damaged battery.**
10. **The contained lithium-ion batteries are subject to the Dangerous Goods Legislation requirements.**

For commercial transports e.g. by third parties, forwarding agents, special requirement on packaging and labeling must be observed.

For preparation of the item being shipped, consulting an expert for hazardous material is required. Please also observe possibly more detailed national regulations.

Tape or mask off open contacts and pack up the battery in such a manner that it cannot move around in the packaging.

11. **When disposing the battery cartridge, remove it from the tool and dispose of it in a safe place. Follow your local regulations relating to disposal of battery.**
12. **Use the batteries only with the products specified by Makita.** Installing the batteries to non-compliant products may result in a fire, excessive heat, explosion, or leak of electrolyte.
13. **If the tool is not used for a long period of time, the battery must be removed from the tool.**
14. **During and after use, the battery cartridge may take on heat which can cause burns or low temperature burns. Pay attention to the handling of hot battery cartridges.**
15. **Do not touch the terminal of the tool immediately after use as it may get hot enough to cause burns.**
16. **Do not allow chips, dust, or soil stuck into the terminals, holes, and grooves of the battery cartridge.** It may cause heating, catching fire, burst and malfunction of the tool or battery cartridge, resulting in burns or personal injury.
17. **Unless the tool supports the use near high-voltage electrical power lines, do not use the battery cartridge near high-voltage electrical power lines.** It may result in a malfunction or breakdown of the tool or battery cartridge.
18. **Keep the battery away from children.**

SAVE THESE INSTRUCTIONS.

CAUTION: Only use genuine Makita batteries. Use of non-genuine Makita batteries, or batteries that have been altered, may result in the battery bursting causing fires, personal injury and damage. It will also void the Makita warranty for the Makita tool and charger.

Tips for maintaining maximum battery life

1. **Charge the battery cartridge before completely discharged. Always stop tool operation and charge the battery cartridge when you notice less tool power.**
2. **Never recharge a fully charged battery cartridge. Overcharging shortens the battery service life.**
3. **Charge the battery cartridge with room temperature at 10 °C - 40 °C (50 °F - 104 °F). Let a hot battery cartridge cool down before charging it.**
4. **When not using the battery cartridge, remove it from the tool or the charger.**
5. **Charge the battery cartridge if you do not use it for a long period (more than six months).**

FUNCTIONAL DESCRIPTION

CAUTION: Always be sure that the tool is switched off and the battery cartridge is removed before adjusting or checking function on the tool.

Installing or removing battery cartridge

CAUTION: Always switch off the tool before installing or removing of the battery cartridge.

CAUTION: Hold the tool and the battery cartridge firmly when installing or removing battery cartridge. Failure to hold the tool and the battery cartridge firmly may cause them to slip off your hands and result in damage to the tool and battery cartridge and a personal injury.

To install the battery cartridge, align the tongue on the battery cartridge with the groove in the housing and slip it into place. Insert it all the way until it locks in place with a little click. If you can see the red indicator as shown in the figure, it is not locked completely.

To remove the battery cartridge, slide it from the tool while sliding the button on the front of the cartridge.

► **Fig.1:** 1. Red indicator 2. Button 3. Battery cartridge

CAUTION: Always install the battery cartridge fully until the red indicator cannot be seen. If not, it may accidentally fall out of the tool, causing injury to you or someone around you.

CAUTION: Do not install the battery cartridge forcibly. If the cartridge does not slide in easily, it is not being inserted correctly.

Tool / battery protection system

The tool is equipped with a tool/battery protection system. This system automatically cuts off power to the motor to extend tool and battery life. The tool will automatically stop during operation if the tool or battery is placed under one of the following conditions:

Overload protection

When the tool/battery is operated in a manner that causes it to draw an abnormally high current, the tool stops automatically. In this situation, turn the tool off and stop the application that caused the tool to become overloaded. Then turn the tool on to restart.

Overheat protection

When the tool/battery is overheated, the tool stops automatically. In this situation, let the tool/battery cool before turning the tool on again.

Overdischarge protection

When the battery capacity is not enough, the tool stops automatically. In this case, remove the battery from the tool and charge the battery.

Protections against other causes

Protection system is also designed for other causes that could damage the tool and allows the tool to stop automatically. Take all the following steps to clear the causes, when the tool has been brought to a temporary halt or stop in operation.

1. Turn the tool off, and then turn it on again to restart.
2. Charge the battery(ies) or replace it/them with recharged battery(ies).
3. Let the tool and battery(ies) cool down.

If no improvement can be found by restoring protection system, then contact your local Makita Service Center.

Alert indicator

The indicator lamp on the push drive mode selector raises an alert with flashing red lights when the tool works in the following operating conditions.

► **Fig.2:** 1. Indicator lamp

Lamp status	Causes	Remedies
Fast flashing (approx. one-third second intervals)	Battery getting low	Charge the battery at your earliest opportunity.
Delayed flashing (approx. a second intervals)	Overheated	Let the tool cool down before turning it on again.

NOTE: An over-discharge alert may appear depending on the battery status and operational conditions.

Indicating the remaining battery capacity

Only for battery cartridges with the indicator

Press the check button on the battery cartridge to indicate the remaining battery capacity. The indicator lamps light up for a few seconds.

► **Fig.3:** 1. Indicator lamps 2. Check button

Indicator lamps			Remaining capacity
Lighted	Off	Blinking	
■	□	▧	75% to 100%
■ ■ ■ ■			
■ ■ ■	□		50% to 75%
■ ■	□ □		25% to 50%
■	□ □ □		0% to 25%
▧	□ □ □		Charge the battery.
■ ■ □ □	□ □	■ ■	The battery may have malfunctioned.
□ □	■ ■		

NOTE: Depending on the conditions of use and the ambient temperature, the indication may differ slightly from the actual capacity.

NOTE: The first (far left) indicator lamp will blink when the battery protection system works.

Setting for desired screw lengths

For model DFR452 / DFR453

The tool provides 4 positive-lock screw length settings. Slide the stopper base out and in while depressing the levers on the top surface of the stopper base so the number for desired screw length (indicated on the label) appears in the reading window. See the following table for details on the numbers allocated to your desired screw lengths.

► **Fig.4:** 1. Stopper base 2. Levers 3. Label 4. Reading window

Numbers indicated on the label	Screw length ranges
20	20 mm (13/16")
25	25 mm - 28 mm (1" - 1-1/8")
32	28 mm - 35 mm (1-1/8" - 1-3/8")
41	35 mm - 41 mm (1-3/8" - 1-5/8")

For model DFR551 / DFR552

The tool provides 7 positive-lock screw length settings. Slide the stopper base out and in while depressing the levers on the top surface of the stopper base so the number for desired screw length (indicated on the label) appears in the reading window. See the following table for details on the numbers allocated to your desired screw lengths.

► **Fig.5:** 1. Stopper base 2. Levers 3. Label 4. Reading window

Numbers indicated on the label	Screw length ranges
25	25 mm (1")
30	25 mm - 30 mm (1" - 1-3/16")
35	30 mm - 35 mm (1-3/16" - 1-3/8")
40	35 mm - 40 mm (1-3/8" - 1-9/16")
45	40 mm - 45 mm (1-9/16" - 1-3/4")
50	45 mm - 50 mm (1-3/4" - 2")
55	50 mm - 55 mm (2" - 2-3/16")

Adjusting driving depths

Press the front face of the stopper base and hold the feeder box down into the casing as far as it will go. While keeping it in that position, turn the adjusting dial so that the driver bit tip comes out approximately 6 mm from the front face of the stopper base. Drive a trial screw. If the screw head stands above the workpiece surface, turn the adjusting dial in the A direction; if the screw head sits below the surface, turn the adjusting dial in the B direction.

► **Fig.6:** 1. Approx. 6 mm 2. Stopper base 3. Feeder box 4. Casing 5. Adjusting dial

Switch action

⚠ WARNING: Before installing the battery cartridge into the tool, always check to see that the switch trigger actuates properly and returns to the "OFF" position when released.

To start the tool, pull the switch trigger. Tool speed is increased by increasing pressure on the switch trigger. Release the switch trigger to stop. For continuous operation, pull the switch trigger, push in the lock button and then release the trigger. To stop the tool from the locked position, pull the switch trigger fully, and then release it.

► **Fig.7:** 1. Switch trigger 2. Lock button

Reversing switch action

⚠ CAUTION: Always check the direction of rotation before operation.

⚠ CAUTION: Use the reversing switch only after the tool comes to a complete stop. Changing the direction of rotation before the tool stops may damage the tool.

⚠ CAUTION: When not operating the tool, always set the reversing switch lever to the neutral position.

This tool has a reversing switch to change the direction of rotation. Depress the reversing switch lever from the A side for clockwise rotation or from the B side for counterclockwise rotation.

When the reversing switch lever is in the neutral position, the switch trigger cannot be pulled.

► **Fig.8:** 1. Reversing switch lever

Push drive mode

In push drive mode, the driver bit only rotates by applying pressure onto the driving surface with the stopper base, allowing the tool to cut off power to the motor to save battery power at idle.

To select push drive mode, pull the switch trigger slightly, then release it and quickly press the mode select button. The indicator lamp on the push drive mode selector will then light up.

► **Fig.9:** 1. Mode select button 2. Indicator lamp

NOTE: Push drive mode will automatically be deactivated after eight hours with the switch trigger locked on and no further switch operation. To restart the tool, pull the switch trigger fully to release the lock button, and pull the trigger again.

Accidental re-start preventive function

Even if you install the battery cartridge while pulling the switch trigger, the tool does not start.

To start the tool, first release the switch trigger and then pull the switch trigger.

ASSEMBLY

⚠ CAUTION: Always be sure that the tool is switched off and the battery cartridge is removed before carrying out any work on the tool.

Installing and removing driver bit

⚠ CAUTION: Be careful not to touch the sharp edges of screws while reassembling the components and attachments.

⚠ CAUTION: Handle accessories and attachments with care. Always be sure to hold accessories and attachments body firmly when installing and removing. Otherwise the accessories and attachments may slip off from your hands and fall.

⚠ CAUTION: Hold the casing when installing and removing attachments.

⚠ CAUTION: Always switch off and remove the battery cartridge when changing the bit.

Installing driver bit

1. To install a driver bit, place it into the spindle hole as far as it will go while pushing and holding the spindle into the gear housing. Then release the spindle to secure the driver bit.

► **Fig.10:** 1. Driver bit 2. Spindle 3. Gear housing

2. Push the casing into the gear housing while holding the body of the casing firmly until the release buttons on each side of the casing lock in place with a little click.

► **Fig.11:** 1. Casing 2. Release buttons

Removing driver bit

1. Press and hold the release buttons on each side of the casing, and then pull the casing apart.

► **Fig.12:** 1. Release buttons 2. Casing

2. To remove the driver bit, pull it off while pushing and holding the spindle into the gear housing.

► **Fig.13:** 1. Driver bit 2. Spindle 3. Gear housing

Installing screw strip

⚠ CAUTION: Always switch off and remove the battery cartridge when cutting the screw strip.

Insert a screw strip through the screw strip guide on the casing, and then insert it through the screw loading guide in the feeder box.

► **Fig.14:** 1. Screw strip 2. Screw strip guide 3. Casing 4. Screw loading guide 5. Feeder box

NOTE: Make sure to set the first screw in the second row next to the driving position.

► **Fig.15:** 1. First screw 2. Driving position

Removing screw strip

⚠ CAUTION: Always remove the screw strip before removing the attachment.

To remove the screw strip, pull it upwards out of the feeder box.

► Fig.16

The screw strip can be pulled downwards out of the feeder box while pressing the reverse button on the feeder box.

► Fig.17: 1. Reverse button 2. Feeder box

Installing hook

⚠ WARNING: Use the hanging/mounting parts for their intended purposes only, e.g., hanging the tool on a tool belt between jobs or work intervals.

⚠ WARNING: Be careful not to overload the hook as too much force or irregular overburden may cause damages to the tool resulting in personal injury.

⚠ CAUTION: When installing the hook, always secure it with the screw firmly. If not, the hook may come off from the tool and result in the personal injury.

⚠ CAUTION: Make sure to hang the tool securely before releasing your hold. Insufficient or unbalanced hooking may cause falling off and you may be injured.

► Fig.18: 1. Groove 2. Hook 3. Screw

The hook is convenient for temporarily hanging the tool. This can be installed on either side of the tool. To install the hook, insert it into a groove in the tool housing on either side and then secure it with a screw. To remove, loosen the screw and then take it out.

Using hole

⚠ WARNING: Never use the hanging hole for unintended purpose, for instance, tethering the tool at high location. Bearing stress in a heavily loaded hole may cause damages to the hole, resulting in injuries to you or people around or below you.

Use the hanging hole at the bottom rear of the tool to hang the tool on a wall using a hanging cord or similar strings.

► Fig.19: 1. Hanging hole

OPERATION

Driving operation

NOTICE: Always check the driver bit carefully for wear before driving operations. Replace a worn driver bit or poor fastening may result.

NOTICE: Always hold the tool squarely against the driving surface. Holding it at an angle may damage the screw heads and cause wear on the driver bit. This may also lead to poor fastening.

NOTICE: Always keep the tool firmly against the driving surface until the driving is over. Failure to do so may cause insufficient fastening of screws.

NOTICE: Be careful not to drive a screw onto another screw already fastened.

NOTICE: Do not operate the tool without screws. It will damage the driving surface.

NOTICE: Do not apply oil or grease on the sliding surface of the feeder box.

Switch on the tool by pulling the switch trigger. Hold the tool squarely and firmly up against the driving surface. A screw will be automatically carried to the driving position and fastened.

► Fig.20

Driving operation in push drive mode

1. Pull the switch trigger slightly and release it. Then quickly press the mode select button.

The indicator lamp on the push drive mode selector lights up, and push drive mode becomes activated.

► Fig.21: 1. Mode select button 2. Indicator lamp

2. Depress the lock button while pulling the switch trigger, and then release the switch trigger.

► Fig.22: 1. Lock button 2. Switch trigger

NOTE: While selecting push drive mode and locking the trigger on, the motor does not rotate under no load to minimize power consumption.

3. Hold the tool squarely against the driving surface and apply forward pressure to the tool.

The screw will be automatically carried to the driving position and driven at full speed.

► Fig.23

Driving in corner

⚠ CAUTION: Driving at a position closer than 15 mm to the wall or driving with the stopper base in contact with the wall may damage the screw heads and cause wear on the driver bit. This may also lead to poor fastening of screws and malfunction of the tool.

This tool can be used to drive at a position 15 mm away from the wall as shown in the figure.

► Fig.24: 1. Wall 2. Stopper base 3. 15 mm

Unfastening operation

⚠ CAUTION: Always check the direction of rotation before operation.

⚠ CAUTION: Use the reversing switch only after the tool comes to a complete stop. Changing the direction of rotation before the tool stops may damage the tool.

The tool allows you to change the direction of driver bit rotation with ease, either towards the right (clockwise) to tighten a screw or towards the left (counterclockwise) to loosen a screw.

1. Depress the reversing switch lever from the B side for counterclockwise rotation.

▶ **Fig.25:** 1. Reversing switch lever

2. Press and hold the release buttons on each side of the casing, and then pull the casing apart.

▶ **Fig.26:** 1. Release buttons 2. Casing

3. Place the tip of the driver bit into the head of the screw to be loosened.

4. Hold the tool firmly against the screw and squeeze the switch trigger to start.

▶ **Fig.27:** 1. Driver bit 2. Screw head 3. Switch trigger

5. Reset the casing back onto the gear housing until it locks in place after finishing operation.

MAINTENANCE

⚠ CAUTION: Always be sure that the tool is switched off and the battery cartridge is removed before attempting to perform inspection or maintenance.

NOTICE: Never use gasoline, benzine, thinner, alcohol or the like. Discoloration, deformation or cracks may result.

To maintain product SAFETY and RELIABILITY, repairs, any other maintenance or adjustment should be performed by Makita Authorized or Factory Service Centers, always using Makita replacement parts.

After use

Wipe off the tool using a dry cloth or cloth slightly moistened with soapy water at regular intervals.

OPTIONAL ACCESSORIES

⚠ CAUTION: These accessories or attachments are recommended for use with your Makita tool specified in this manual. The use of any other accessories or attachments might present a risk of injury to persons. Only use accessory or attachment for its stated purpose.

If you need any assistance for more details regarding these accessories, ask your local Makita Service Center.

- Drywall screw strip
- Phillips bit
- Square bit
- Pozidriv bit
- Casing
- Makita genuine battery and charger

NOTE: Some items in the list may be included in the tool package as standard accessories. They may differ from country to country.

SPÉCIFICATIONS

Modèle :	DFR452	DFR453	DFR551	DFR552
Bande de vis	ø3,5 mm x 20 mm - ø4,2 mm x 41 mm		ø3,5 mm x 25 mm - ø4,2 mm x 55 mm	
Vitesse à vide	0 - 6 000 min ⁻¹	0 - 4 500 min ⁻¹	0 - 6 000 min ⁻¹	0 - 4 500 min ⁻¹
Longueur totale	360 mm		396 mm	
Tension nominale	18 V CC			
Poids net	1,9 - 2,2 kg			

- Étant donné l'évolution constante de notre programme de recherche et de développement, les spécifications contenues dans ce manuel sont sujettes à modification sans préavis.
- Les spécifications peuvent varier suivant les pays.
- Le poids peut être différent selon les accessoires, notamment la batterie. Les associations la plus légère et la plus lourde, conformément à la procédure EPTA 01/2014, sont indiquées dans le tableau.

Batterie et chargeur applicables

Batterie	BL1815N / BL1820B / BL1830B / BL1840B / BL1850B / BL1860B
Chargeur	DC18RC / DC18RD / DC18RE / DC18SD / DC18SE / DC18SF / DC18SH / DC18WC

- Certains chargeurs et batteries répertoriés ci-dessus peuvent ne pas être disponibles selon la région où vous résidez.

⚠ AVERTISSEMENT : N'utilisez que les batteries et les chargeurs répertoriés ci-dessus. L'utilisation d'autres batteries et chargeurs peut provoquer des blessures et/ou un incendie.

Utilisations

L'outil est conçu pour serrer des vis dans le bois, le métal et le plastique.

Bruit

Niveau de bruit pondéré A typique, déterminé selon EN62841-2-2 :

Modèle	Niveau de pression sonore (L_{pA}) : (dB (A))	Incertitude (K) : (dB (A))
DFR452	78	3
DFR453	79	3
DFR551	77	3
DFR552	78	3

Le niveau de bruit en fonctionnement peut dépasser 80 dB (A).

NOTE : La ou les valeurs d'émission de bruit déclarées ont été mesurées conformément à la méthode de test standard et peuvent être utilisées pour comparer les outils entre eux.

NOTE : La ou les valeurs d'émission de bruit déclarées peuvent aussi être utilisées pour l'évaluation préliminaire de l'exposition.

⚠ AVERTISSEMENT : Portez un serre-tête antibruit.

⚠ AVERTISSEMENT : L'émission de bruit lors de l'usage réel de l'outil électrique peut être différente de la ou des valeurs déclarées, suivant la façon dont l'outil est utilisé, particulièrement selon le type de pièce usinée.

⚠ AVERTISSEMENT : Les mesures de sécurité à prendre pour protéger l'utilisateur doivent être basées sur une estimation de l'exposition dans des conditions réelles d'utilisation (en tenant compte de toutes les composantes du cycle d'utilisation, comme par exemple le moment de sa mise hors tension, lorsqu'il tourne à vide et le moment de son déclenchement).

Vibrations

Valeur totale de vibrations (somme de vecteur triaxial) déterminée selon EN62841-2-2 :

Mode de travail : meulage de surfaces avec poignée latérale normale

Modèle	Émission de vibrations (a_h) : (m/s ²)	Incertitude (K) : (m/s ²)
DFR452	2,5 m/s ² ou moins	1,5 m/s ²
DFR453		
DFR551		
DFR552		

NOTE : La ou les valeurs de vibration totales déclarées ont été mesurées conformément à la méthode de test standard et peuvent être utilisées pour comparer les outils entre eux.

NOTE : La ou les valeurs de vibration totales déclarées peuvent aussi être utilisées pour l'évaluation préliminaire de l'exposition.

⚠️ AVERTISSEMENT : L'émission de vibrations lors de l'usage réel de l'outil électrique peut être différente de la ou des valeurs déclarées, suivant la façon dont l'outil est utilisé, particulièrement selon le type de pièce usinée.

⚠️ AVERTISSEMENT : Les mesures de sécurité à prendre pour protéger l'utilisateur doivent être basées sur une estimation de l'exposition dans des conditions réelles d'utilisation (en tenant compte de toutes les composantes du cycle d'utilisation, comme par exemple le moment de sa mise hors tension, lorsqu'il tourne à vide et le moment de son déclenchement).

Déclarations de conformité

Pour les pays européens uniquement

Les déclarations de conformité sont fournies en Annexe A à ce mode d'emploi.

CONSIGNES DE SÉCURITÉ

Consignes de sécurité générales pour outils électriques

⚠️ AVERTISSEMENT Veuillez lire toutes les consignes de sécurité, instructions, illustrations et spécifications qui accompagnent cet outil électrique. Le non-respect de toutes les instructions indiquées ci-dessous peut entraîner une électrocution, un incendie et/ou de graves blessures.

Conservez toutes les mises en garde et instructions pour référence ultérieure.

Le terme « outil électrique » dans les avertissements fait référence à l'outil électrique alimenté par le secteur (avec cordon d'alimentation) ou à l'outil électrique fonctionnant sur batterie (sans cordon d'alimentation).

Consignes de sécurité pour visseuse sans fil

1. **Tenez l'outil électrique par des surfaces de prise isolées lorsque vous effectuez une tâche au cours de laquelle l'élément de fixation peut entrer en contact avec des fils cachés.** Le contact des éléments de fixation avec un fil sous tension peut transmettre du courant dans les pièces métalliques exposées de l'outil électrique et électrocuter l'opérateur.

2. **Assurez-vous toujours d'avoir une bonne assise.** Veillez à ce que personne ne se trouve en dessous de vous quand vous utilisez l'outil en hauteur.
3. **Tenez l'outil fermement.**
4. **Gardez vos mains à l'écart des pièces en rotation.**
5. **Ne touchez pas l'embout ou la pièce immédiatement après l'exécution du travail ; ils peuvent être extrêmement chauds et vous brûler la peau.**
6. **Immobilisez toujours la pièce dans un étiau ou un dispositif de retenue similaire.**
7. **Assurez-vous qu'il n'y a pas de câbles électriques, de conduites d'eau, de conduites de gaz, etc., présentant un risque s'ils sont endommagés suite à l'utilisation de l'outil.**

CONSERVEZ CES INSTRUCTIONS.

⚠️ AVERTISSEMENT : NE vous laissez PAS tromper (au fil d'une utilisation répétée) par un sentiment d'aisance et de familiarité avec le produit, en négligeant le respect rigoureux des consignes de sécurité qui accompagnent le produit en question.

La MAUVAISE UTILISATION de l'outil ou l'ignorance des consignes de sécurité indiquées dans ce mode d'emploi peut entraîner de graves blessures.

Consignes de sécurité importantes pour la batterie

1. **Avant d'utiliser la batterie, lisez toutes les instructions et précautions relatives (1) au chargeur de batterie, (2) à la batterie, et (3) au produit utilisant la batterie.**
2. **Ne désassemblez pas et ne modifiez pas la batterie.** Cela pourrait entraîner un incendie, une chaleur excessive ou une explosion.
3. **Cessez immédiatement l'utilisation si le temps de fonctionnement devient excessivement court.** Il y a risque de surchauffe, de brûlures, voire d'explosion.
4. **Si l'électrolyte pénètre dans vos yeux, rincez-les à l'eau claire et consultez immédiatement un médecin.** Il y a risque de perte de la vue.
5. **Ne court-circuitez pas la batterie :**
 - (1) **Ne touchez les bornes avec aucun matériau conducteur.**
 - (2) **Évitez de ranger la batterie dans un conteneur avec d'autres objets métalliques, par exemple des clous, des pièces de monnaie, etc.**
 - (3) **N'exposez pas la batterie à l'eau ou à la pluie.****Un court-circuit de la batterie peut provoquer une intensité de courant élevée, une surchauffe, parfois des brûlures et même une panne.**

6. **Ne rangez ni n'utilisez l'outil et la batterie dans un endroit où la température risque d'atteindre ou de dépasser 50 °C.**
7. **Ne jetez pas la batterie au feu même si elle est sérieusement endommagée ou complètement épuisée. La batterie peut exploser au contact du feu.**
8. **Abstenez-vous de clouer, couper, écraser, jeter, laisser tomber la batterie, ou de la heurter contre un objet dur.** Cela pourrait entraîner un incendie, une chaleur excessive ou une explosion.
9. **N'utilisez pas la batterie si elle est endommagée.**
10. **Les batteries au lithium-ion contenues sont soumises aux exigences de la législation sur les marchandises dangereuses.**
Lors du transport commercial par des tierces parties ou des transitaires par exemple, des exigences spécifiques en matière d'étiquetage et d'emballage doivent être respectées.
Pour la préparation de l'article expédié, il est nécessaire de consulter un expert en matériau dangereux. Veuillez également respecter les réglementations nationales susceptibles d'être plus détaillées.
Recouvrez les contacts exposés avec du ruban adhésif ou du ruban de masquage et emballez la batterie de telle sorte qu'elle ne puisse pas bouger dans l'emballage.
11. **Lors de la mise au rebut de la batterie, retirez-la de l'outil et jetez-la en lieu sûr. Suivez les réglementations locales en matière de mise au rebut des batteries.**
12. **Utilisez les batteries uniquement avec les produits spécifiés par Makita.** L'insertion de batteries dans des produits non conformes peut provoquer un incendie, une chaleur excessive, une explosion ou une fuite de l'électrolyte.
13. **Lorsque vous n'utilisez pas l'outil pendant une période prolongée, la batterie doit être retirée de l'outil.**
14. **Pendant et après l'utilisation, la batterie peut chauffer, ce qui peut entraîner des brûlures, y compris en cas de température relativement basse. Manipulez les batteries chaudes avec précaution.**
15. **Ne touchez pas la borne de l'outil immédiatement après utilisation car elle peut être assez chaude pour provoquer des brûlures.**
16. **Évitez que des copeaux, de la poussière ou du sol adhèrent aux bornes, aux trous et aux rainures de la batterie.** Cela peut provoquer un échauffement, un incendie, une explosion ou un dysfonctionnement de l'outil ou de la batterie, ce qui peut entraîner des brûlures ou des blessures.
17. **À moins que l'outil prenne en charge un tel usage, n'utilisez pas la batterie à proximité de lignes électriques haute tension.** Cela pourrait entraîner un dysfonctionnement ou casser l'outil ou la batterie.
18. **Conservez la batterie hors de portée des enfants.**

⚠ATTENTION : N'utilisez que des batteries Makita d'origine. L'utilisation de batteries de marque autre que Makita ou de batteries modifiées peut provoquer l'explosion des batteries, ce qui présente un risque d'incendie, de dommages matériels et corporels. Cela annulera également la garantie Makita pour l'outil et le chargeur Makita.

Conseils pour assurer la durée de vie optimale de la batterie

1. **Chargez la batterie avant qu'elle ne soit complètement déchargée. Arrêtez toujours l'outil et rechargez la batterie quand vous remarquez que la puissance de l'outil diminue.**
2. **Ne rechargez jamais une batterie complètement chargée. La surcharge réduit la durée de service de la batterie.**
3. **Chargez la batterie à une température ambiante comprise entre 10 °C et 40 °C. Avant de charger une batterie chaude, laissez-la refroidir.**
4. **Lorsque vous n'utilisez pas la batterie, retirez-la de l'outil ou du chargeur.**
5. **Rechargez la batterie si elle est restée inutilisée pendant une période prolongée (plus de six mois).**

DESCRIPTION DU FONCTIONNEMENT

⚠ATTENTION : Assurez-vous toujours que l'outil est hors tension et que sa batterie est retirée avant de l'ajuster ou de vérifier son fonctionnement.

Insertion ou retrait de la batterie

⚠ATTENTION : Éteignez toujours l'outil avant de mettre en place ou de retirer la batterie.

⚠ATTENTION : Tenez fermement l'outil et la batterie lors de la mise en place ou du retrait de la batterie. Si vous ne tenez pas fermement l'outil et la batterie, ils peuvent vous glisser des mains, et s'abîmer ou vous blesser.

Pour mettre la batterie en place, alignez la languette de la batterie avec la rainure du compartiment puis insérez la batterie. Insérez-la entièrement jusqu'à entendre un léger déclic indiquant qu'elle est bien en place. Si vous pouvez voir l'indicateur rouge comme illustré sur la figure, c'est qu'elle n'est pas bien verrouillée.

Pour retirer la batterie, faites-la glisser hors de l'outil tout en faisant glisser le bouton à l'avant de la batterie.

► Fig.1: 1. Indicateur rouge 2. Bouton 3. Batterie

CONSERVEZ CES INSTRUCTIONS.

⚠ ATTENTION : Insérez toujours complètement la batterie jusqu'à ce que l'indicateur rouge ne soit plus visible. Sinon, elle pourrait tomber accidentellement de l'outil, au risque de vous blesser ou de blesser quelqu'un se trouvant près de vous.

⚠ ATTENTION : N'insérez pas la batterie de force. Si elle ne glisse pas facilement, c'est que vous ne l'insérez pas correctement.

Système de protection de l'outil/la batterie

L'outil est équipé d'un système de protection de l'outil/la batterie. Ce système coupe automatiquement l'alimentation vers le moteur pour prolonger la durée de vie de l'outil et de la batterie. Si l'outil ou la batterie se trouve dans l'une des situations suivantes, l'outil cessera automatiquement de fonctionner.

Protection contre la surcharge

Lorsque l'outil/la batterie est utilisé(e) d'une manière provoquant un appel de courant anormalement élevé, l'outil s'arrête automatiquement. Dans ce cas, éteignez l'outil et arrêtez la tâche ayant provoqué la surcharge de l'outil. Puis rallumez l'outil pour reprendre la tâche.

Protection contre la surchauffe

En cas de surchauffe de l'outil ou de la batterie, l'outil s'arrête automatiquement. Dans ce cas, laissez l'outil ou la batterie refroidir avant de rallumer l'outil.

Protection contre la décharge totale de la batterie

Lorsque la charge de la batterie est insuffisante, l'outil s'arrête automatiquement. Dans ce cas, retirez la batterie de l'outil et chargez-la.

Protections contre d'autres causes

Le système de protection est également conçu pour d'autres causes qui pourraient endommager l'outil et lui permet de s'arrêter automatiquement. Suivez toutes les étapes ci-dessous pour éliminer les causes, lorsque l'outil a été arrêté provisoirement ou a cessé de fonctionner.

1. Éteignez l'outil, puis rallumez-le pour le redémarrer.
2. Chargez la ou les batteries ou remplacez-les par des batteries rechargées.
3. Laissez l'outil et la ou les batteries refroidir.

En l'absence d'amélioration après avoir rétabli le système de protection, contactez votre centre de service Makita local.

Témoin d'alerte

Le témoin sur le sélecteur du mode d'entraînement par pression déclenche une alerte avec des voyants rouges clignotants lorsque l'outil fonctionne dans les conditions de fonctionnement suivantes.

► Fig.2: 1. Témoin

Statut des témoins	Causes	Solutions
Clignotement rapide (intervalles d'environ un tiers de seconde)	Batterie faible	Chargez la batterie dès que possible.
Clignotement différé (intervalles d'environ une seconde)	Surchauffe	Laissez l'outil refroidir avant de le rallumer.

NOTE : Une alerte de décharge excessive peut apparaître selon le statut de la batterie et les conditions de fonctionnement.

Indication de la charge restante de la batterie

Uniquement pour les batteries avec voyant lumineux

Appuyez sur le bouton de vérification sur la batterie pour indiquer la charge restante de la batterie. Les témoins s'allument pendant quelques secondes.

► Fig.3: 1. Témoins 2. Bouton de vérification

Témoins			Charge restante
Allumé	Éteint	Clignotant	
■	□	◐	75 % à 100 %
■	■	□	50 % à 75 %
■	■	□	25 % à 50 %
■	□	□	0 % à 25 %
◐	□	□	Chargez la batterie.
■	■	□	Anomalie possible de la batterie.
□	□	■	

NOTE : Selon les conditions d'utilisation et la température ambiante, l'indication peut être légèrement différente de la capacité réelle.

NOTE : Le premier témoin (complètement à gauche) clignotera pendant le fonctionnement du système de protection de la batterie.

Réglage des longueurs de vis souhaitées

Pour le modèle DFR452/DFR453

L'outil offre 4 réglages de longueur de vis à blocage solide. Faites glisser le socle de blocage d'avant en arrière tout en appuyant sur les leviers situés sur la surface supérieure du socle de blocage de manière à ce que le numéro pour la longueur de vis souhaitée (indiqué sur l'étiquette) apparaisse dans la fenêtre de lecture. Reportez-vous au tableau suivant pour en savoir plus sur les numéros attribués aux longueurs de vis souhaitées.

- **Fig.4:** 1. Socle de blocage 2. Levier 3. Étiquette 4. Fenêtre de lecture

Numéros indiqués sur l'étiquette	Plage des longueurs de vis
20	20 mm (13/16")
25	25 mm - 28 mm (1" - 1-1/8")
32	28 mm - 35 mm (1-1/8" - 1-3/8")
41	35 mm - 41 mm (1-3/8" - 1-5/8")

Pour le modèle DFR551/DFR552

L'outil offre 7 réglages de longueur de vis à blocage solide. Faites glisser le socle de blocage d'avant en arrière tout en appuyant sur les leviers situés sur la surface supérieure du socle de blocage de manière à ce que le numéro pour la longueur de vis souhaitée (indiqué sur l'étiquette) apparaisse dans la fenêtre de lecture. Reportez-vous au tableau suivant pour en savoir plus sur les numéros attribués aux longueurs de vis souhaitées.

- **Fig.5:** 1. Socle de blocage 2. Levier 3. Étiquette 4. Fenêtre de lecture

Numéros indiqués sur l'étiquette	Plage des longueurs de vis
25	25 mm (1")
30	25 mm - 30 mm (1" - 1-3/16")
35	30 mm - 35 mm (1-3/16" - 1-3/8")
40	35 mm - 40 mm (1-3/8" - 1-9/16")
45	40 mm - 45 mm (1-9/16" - 1-3/4")
50	45 mm - 50 mm (1-3/4" - 2")
55	50 mm - 55 mm (2" - 2-3/16")

Réglage des profondeurs de vissage

Appuyez sur la face avant du socle de blocage et maintenez le boîtier d'alimentation dans le logement aussi loin que possible. Tout en le maintenant dans cette position, tournez la molette de réglage de manière à ce que la pointe de l'embout de vissage dépasse d'environ 6 mm de la face avant du socle de blocage. Vissez une vis d'essai. Si la tête de la vis se trouve au-dessus de la surface de la pièce, tournez la molette de réglage dans le sens A ; si la tête de la vis se trouve sous la surface, tournez la molette de réglage dans le sens B.

- **Fig.6:** 1. Environ 6 mm 2. Socle de blocage 3. Boîtier d'alimentation 4. Logement 5. Molette de réglage

Fonctionnement de la gâchette

⚠ AVERTISSEMENT : Avant d'insérer la batterie dans l'outil, vérifiez toujours que la gâchette fonctionne bien et revient en position d'arrêt lorsque vous la relâchez.

Pour démarrer l'outil, enclenchez la gâchette. La vitesse de l'outil augmente à mesure que vous augmentez la pression exercée sur la gâchette. Pour arrêter l'outil, relâchez la gâchette.

Pour un fonctionnement continu, enclenchez la gâchette et poussez le bouton de verrouillage, puis relâchez la gâchette. Pour arrêter l'outil sur la position verrouillée, enclenchez à fond la gâchette, puis relâchez-la.

- **Fig.7:** 1. Gâchette 2. Bouton de verrouillage

Fonctionnement de l'inverseur

⚠ ATTENTION : Vérifiez toujours le sens de rotation avant d'utiliser l'outil.

⚠ ATTENTION : N'utilisez l'inverseur qu'une fois que l'outil est complètement arrêté. Si vous changez le sens de rotation avant l'arrêt de l'outil, vous risquez de l'endommager.

⚠ ATTENTION : Lorsque vous n'utilisez pas l'outil, placez toujours le levier de l'inverseur en position neutre.

L'outil possède un inverseur qui permet de changer le sens de rotation. Enfoncez le levier de l'inverseur du côté A pour une rotation dans le sens des aiguilles d'une montre, ou du côté B pour une rotation dans le sens inverse des aiguilles d'une montre.

La gâchette ne peut pas être enclenchée lorsque le levier de l'inverseur se trouve en position neutre.

- **Fig.8:** 1. Levier de l'inverseur

Mode d'entraînement par pression

En mode d'entraînement par pression, l'embout de vissage tourne uniquement en exerçant une pression sur la surface à visser avec le socle de blocage, ce qui permet à l'outil de couper l'alimentation du moteur pour économiser la batterie au ralenti.

Pour sélectionner le mode d'entraînement par pression, enclenchez légèrement la gâchette, puis relâchez-la et appuyez rapidement sur le bouton de sélection du mode. Le témoin sur le sélecteur du mode d'entraînement par pression s'allume alors.

- **Fig.9:** 1. Bouton de sélection du mode 2. Témoin

NOTE : Le mode d'entraînement par pression est automatiquement désactivé après huit heures, avec la gâchette verrouillée en position de marche et aucun autre fonctionnement de la gâchette. Pour redémarrer l'outil, enclenchez à fond la gâchette pour relâcher le bouton de verrouillage, puis enclenchez-la à nouveau.

Fonction de prévention de redémarrage accidentel

Même si vous insérez la batterie tout en enclenchant la gâchette, l'outil ne démarrera pas.
Pour démarrer l'outil, commencez par relâcher la gâchette, puis enclenchez-la.

ASSEMBLAGE

ATTENTION : Assurez-vous toujours que l'outil est hors tension et que sa batterie est retirée avant d'effectuer toute tâche dessus.

Pose et retrait de l'embout de vissage

ATTENTION : Prenez soin de ne pas toucher les bords tranchants des vis lors du réassemblage des composants et des pièces complémentaires.

ATTENTION : Manipulez les accessoires et pièces complémentaires avec précaution. Veillez toujours à tenir fermement les accessoires et les pièces complémentaires lors de la pose et du retrait. Autrement, les accessoires et les pièces complémentaires pourraient glisser de vos mains et tomber.

ATTENTION : Tenez le logement lors de la pose et du retrait des pièces complémentaires.

ATTENTION : Il faut toujours éteindre et retirer la batterie lors du remplacement de l'embout.

Installation de l'embout de vissage

1. Pour installer un embout de vissage, placez-le dans le trou de la broche aussi loin que possible tout en poussant et en maintenant la broche dans le carter d'engrenage. Libérez ensuite la broche pour fixer l'embout de vissage.

► Fig.10: 1. Embout de vissage 2. Broche 3. Carter d'engrenage

2. Poussez le logement dans le carter d'engrenage tout en maintenant fermement le corps du logement jusqu'à ce que les boutons de libération de chaque côté du logement se verrouillent en place avec un léger dé clic.

► Fig.11: 1. Logement 2. Boutons de libération

Retrait de l'embout de vissage

1. Maintenez enfoncés les boutons de libération de chaque côté du logement, puis détachez le logement.

► Fig.12: 1. Boutons de libération 2. Logement

2. Pour retirer l'embout de vissage, retirez-le tout en poussant et en maintenant la broche dans le carter d'engrenage.

► Fig.13: 1. Embout de vissage 2. Broche 3. Carter d'engrenage

Pose de la bande de vis

ATTENTION : Il faut toujours éteindre et retirer la batterie lors de la découpe de la bande de vis.

Insérez une bande de vis dans le guide de bande de vis sur le logement, puis insérez-la dans le guide de chargement des vis dans le boîtier d'alimentation.

► Fig.14: 1. Bande de vis 2. Guide de bande de vis 3. Logement 4. Guide de chargement des vis 5. Boîtier d'alimentation

REMARQUE : Assurez-vous de placer la première vis de la deuxième rangée à côté de la position de vissage.

► Fig.15: 1. Première vis 2. Position de vissage

Retrait de la bande de vis

ATTENTION : Enlevez toujours la bande de vis avant de retirer la pièce complémentaire.

Pour retirer la bande de vis, tirez-la vers le haut hors du boîtier d'alimentation.

► Fig.16

La bande de vis peut être tirée vers le bas hors du boîtier d'alimentation tout en appuyant sur le bouton de marche arrière sur le boîtier d'alimentation.

► Fig.17: 1. Bouton de marche arrière 2. Boîtier d'alimentation

Installation du crochet

AVERTISSEMENT : N'utilisez les pièces d'accrochage/de fixation qu'aux fins pour lesquelles elles ont été conçues, par exemple, accrocher l'outil sur une ceinture à outils entre les tâches ou les intervalles de travail.

AVERTISSEMENT : Faites attention de ne pas surcharger le crochet, car une force excessive ou une surcharge irrégulière peut endommager l'outil et entraîner des blessures.

ATTENTION : Lorsque vous installez le crochet, fixez-le toujours en place fermement avec la vis. Sinon, le crochet pourrait se détacher de l'outil et vous blesser.

ATTENTION : Assurez-vous de suspendre l'outil correctement avant de relâcher votre emprise. Un accrochage insuffisant ou déséquilibré peut provoquer une chute et vous blesser.

► Fig.18: 1. Rainure 2. Crochet 3. Vis

L'outil est équipé d'un crochet pratique qui permet de l'accrocher temporairement. Ce crochet s'installe d'un côté comme de l'autre de l'outil. Pour installer le crochet, insérez-le dans une des rainures situées de chaque côté du carter de l'outil, puis serrez-le avec une vis. Pour l'enlever, desserrez la vis et retirez-le.

Utilisation de l'orifice

⚠ AVERTISSEMENT : N'utilisez jamais l'orifice de suspension à des fins non prévues, par exemple, pour attacher l'outil sur un emplacement élevé. La contrainte exercée sur un orifice lourdement chargé peut endommager l'orifice, ce qui peut vous blesser vous ou des personnes autour ou en dessous de vous.

Utilisez l'orifice de suspension situé dans la partie inférieure arrière de l'outil pour accrocher l'outil au mur à l'aide d'un cordon de suspension ou de cordes similaires.

► Fig.19: 1. Orifice de suspension

UTILISATION

Vissage

REMARQUE : Avant le vissage, vérifiez toujours soigneusement l'usure de l'embout de vissage.

Remplacez un embout de vissage usé sous peine d'un mauvais serrage.

REMARQUE : Tenez toujours l'outil perpendiculairement à la surface à visser. Si vous le tenez en angle, vous risquez d'endommager les têtes de vis et de provoquer l'usure de l'embout de vissage. Cela pourrait également provoquer un mauvais serrage.

REMARQUE : Tenez toujours l'outil fermement contre la surface à visser jusqu'à ce que le vissage soit terminé. Le non-respect de cette consigne peut entraîner un serrage insuffisant des vis.

REMARQUE : Prenez soin de ne pas visser une vis sur une autre vis déjà fixée.

REMARQUE : N'utilisez pas l'outil sans vis. Cela endommagera la surface à visser.

REMARQUE : N'appliquez pas d'huile ou de graisse sur la surface de glissement du boîtier d'alimentation.

Allumez l'outil en enclenchant la gâchette. Tenez l'outil perpendiculairement et fermement contre la surface à visser. Une vis est automatiquement transportée sur la position de vissage et serrée.

► Fig.20

Vissage en mode d'entraînement par pression

1. Enclenchez légèrement la gâchette et relâchez-la. Appuyez ensuite rapidement sur le bouton de sélection du mode.

Le témoin sur le sélecteur du mode d'entraînement par pression s'allume, et le mode d'entraînement par pression est activé.

► Fig.21: 1. Bouton de sélection du mode 2. Témoin

2. Enfoncez le bouton de verrouillage tout en enclenchant la gâchette, puis relâchez-la.

► Fig.22: 1. Bouton de verrouillage 2. Gâchette

NOTE : Lors de la sélection du mode d'entraînement par pression et du verrouillage de la gâchette, le moteur ne tourne pas à vide pour réduire la consommation d'énergie.

3. Tenez l'outil perpendiculairement contre la surface à visser et exercez une pression vers l'avant sur l'outil.

La vis est automatiquement transportée sur la position de vissage et vissée à pleine vitesse.

► Fig.23

Vissage en coin

⚠ ATTENTION : Le vissage à une position inférieure à 15 mm du mur ou le vissage avec le socle de blocage en contact avec le mur peut endommager les têtes de vis et provoquer l'usure de l'embout de vissage. Cela peut également entraîner un mauvais serrage des vis et un dysfonctionnement de l'outil.

Cet outil peut être utilisé pour visser à une position éloignée de 15 mm du mur, comme illustré sur la figure.

► Fig.24: 1. Mur 2. Socle de blocage 3. 15 mm

Dévisage

⚠ ATTENTION : Vérifiez toujours le sens de rotation avant d'utiliser l'outil.

⚠ ATTENTION : N'utilisez l'inverseur qu'une fois que l'outil est complètement arrêté. Si vous changez le sens de rotation avant l'arrêt de l'outil, vous risquez de l'endommager.

L'outil vous permet de changer facilement le sens de rotation de l'embout de vissage, soit vers la droite (dans le sens des aiguilles d'une montre) pour serrer une vis, soit vers la gauche (dans le sens inverse des aiguilles d'une montre) pour desserrer une vis.

1. Enfoncez le levier de l'inverseur du côté B pour une rotation dans le sens inverse des aiguilles d'une montre.

► Fig.25: 1. Levier de l'inverseur

2. Maintenez enfoncés les boutons de libération de chaque côté du logement, puis détachez le logement.

► Fig.26: 1. Boutons de libération 2. Logement

3. Placez la pointe de l'embout de vissage dans la tête de la vis à desserrer.

4. Tenez fermement l'outil contre la vis et enfoncez la gâchette pour démarrer.

► Fig.27: 1. Embout de vissage 2. Tête de vis 3. Gâchette

5. Remettez en place le logement sur le carter d'engrenage jusqu'à ce qu'il s'enclenche en place après avoir terminé l'opération.

ENTRETIEN

⚠ ATTENTION : Assurez-vous toujours que l'outil est hors tension et que la batterie est retirée avant d'y effectuer tout travail d'inspection ou d'entretien.

REMARQUE : N'utilisez jamais d'essence, benzine, diluant, alcool ou autre produit similaire. Cela risquerait de provoquer la décoloration, la déformation ou la fissuration de l'outil.

Pour assurer la SÉCURITÉ et la FIABILITÉ du produit, toute réparation, tout travail d'entretien ou de réglage doivent être effectués par un centre d'entretien Makita agréé, avec des pièces de rechange Makita.

Après l'utilisation

Essayez l'outil à intervalles réguliers au moyen d'un chiffon sec ou légèrement imbibé d'eau savonneuse.

ACCESSOIRES EN OPTION

⚠ ATTENTION : Ces accessoires ou pièces complémentaires sont recommandés pour l'utilisation avec l'outil Makita spécifié dans ce mode d'emploi. L'utilisation de tout autre accessoire ou pièce complémentaire peut comporter un risque de blessure. N'utilisez les accessoires ou pièces complémentaires qu'aux fins auxquelles ils ont été conçus.

Pour obtenir plus de détails sur ces accessoires, contactez votre centre d'entretien local Makita.

- Bande de vis pour cloison sèche
- Embout cruciforme
- Embout carré
- Embout Pozidriv
- Logement
- Batterie et chargeur Makita d'origine

NOTE : Il se peut que certains éléments de la liste soient compris dans l'emballage de l'outil en tant qu'accessoires standard. Ils peuvent varier d'un pays à l'autre.

TECHNISCHE DATEN

Modell:	DFR452	DFR453	DFR551	DFR552
Schraubengurt	ø3,5 mm x 20 mm - ø4,2 mm x 41 mm		ø3,5 mm x 25 mm - ø4,2 mm x 55 mm	
Leerlaufdrehzahl	0 - 6.000 min ⁻¹	0 - 4.500 min ⁻¹	0 - 6.000 min ⁻¹	0 - 4.500 min ⁻¹
Gesamtlänge	360 mm		396 mm	
Nennspannung	Gleichstrom 18 V			
Nettogewicht	1,9 - 2,2 kg			

- Wir behalten uns vor, Änderungen der technischen Daten im Zuge der Entwicklung und des technischen Fortschritts ohne vorherige Ankündigung vorzunehmen.
- Die technischen Daten können von Land zu Land unterschiedlich sein.
- Das Gewicht kann abhängig von dem Aufsatz (den Aufsätzen), einschließlich des Akkus, unterschiedlich sein. Die leichteste und die schwerste Kombination, gemäß dem EPTA-Verfahren 01/2014, sind in der Tabelle angegeben.

Zutreffende Akkus und Ladegeräte

Akku	BL1815N / BL1820B / BL1830B / BL1840B / BL1850B / BL1860B
Ladegerät	DC18RC / DC18RD / DC18RE / DC18SD / DC18SE / DC18SF / DC18SH / DC18WC

- Einige der oben aufgelisteten Akkus und Ladegeräte sind je nach Ihrem Wohngebiet eventuell nicht erhältlich.

⚠️ WARNUNG: Verwenden Sie nur die oben aufgeführten Akkus und Ladegeräte. Bei Verwendung irgendwelcher anderer Akkus und Ladegeräte besteht Verletzungs- und/oder Brandgefahr.

Vorgesehene Verwendung

Das Werkzeug ist für das Eindrehen von Schrauben in Holz, Metall und Kunststoff vorgesehen.

Geräusch

Typischer A-bewerteter Geräuschpegel ermittelt gemäß EN62841-2-2:

Modell	Schalldruckpegel (L _{pa}): (dB (A))	Messunsicherheit (K): (dB (A))
DFR452	78	3
DFR453	79	3
DFR551	77	3
DFR552	78	3

Der Geräuschpegel kann während des Betriebs 80 dB (A) überschreiten.

HINWEIS: Der (Die) angegebene(n) Schallemissionswert(e) wurde(n) im Einklang mit der Standardprüfmethode gemessen und kann (können) für den Vergleich zwischen Werkzeugen herangezogen werden.

HINWEIS: Der (Die) angegebene(n) Schallemissionswert(e) kann (können) auch für eine Vorbewertung des Gefährdungsgrads verwendet werden.

⚠️ WARNUNG: Einen Gehörschutz tragen.

⚠️ WARNUNG: Die Schallemission während der tatsächlichen Benutzung des Elektrowerkzeugs kann je nach der Benutzungsweise des Werkzeugs, und speziell je nach der Art des bearbeiteten Werkstücks, von dem (den) angegebenen Wert(en) abweichen.

⚠️ WARNUNG: Identifizieren Sie Sicherheitsmaßnahmen zum Schutz des Benutzers anhand einer Schätzung des Gefährdungsgrads unter den tatsächlichen Benutzungsbedingungen (unter Berücksichtigung aller Phasen des Arbeitszyklus, wie z. B. Ausschalt- und Leerlaufzeiten des Werkzeugs zusätzlich zur Betriebszeit).

Schwingungen

Schwingungsgesamtwert (Drei-Achsen-Vektorsumme) ermittelt gemäß EN62841-2-2:

Arbeitsmodus: Oberflächenschleifen mit normalem Seitengriff

Modell	Vibrationsemission (a _h): (m/s ²)	Messunsicherheit (K): (m/s ²)
DFR452	2,5 m/s ² oder weniger	1,5 m/s ²
DFR453		
DFR551		
DFR552		

HINWEIS: Der (Die) angegebene(n)

Vibrationsgesamtwert(e) wurde(n) im Einklang mit der Standardprüfmethode gemessen und kann (können) für den Vergleich zwischen Werkzeugen herangezogen werden.

HINWEIS: Der (Die) angegebene(n)

Vibrationsgesamtwert(e) kann (können) auch für eine Vorbereitung des Gefährdungsgrads verwendet werden.

⚠️ WARNUNG: Die Vibrationsemission während der tatsächlichen Benutzung des Elektrowerkzeugs kann je nach der Benutzungsweise des Werkzeugs, und speziell je nach der Art des bearbeiteten Werkstücks, von dem (den) angegebenen Emissionswert(en) abweichen.

⚠️ WARNUNG: Identifizieren Sie Sicherheitsmaßnahmen zum Schutz des Benutzers anhand einer Schätzung des Gefährdungsgrads unter den tatsächlichen Benutzungsbedingungen (unter Berücksichtigung aller Phasen des Arbeitszyklus, wie z. B. Ausschalt- und Leerlaufzeiten des Werkzeugs zusätzlich zur Betriebszeit).

Konformitätserklärungen

Nur für europäische Länder

Die Konformitätserklärungen sind in Anhang A dieser Betriebsanleitung enthalten.

SICHERHEITSWARNUNGEN

Allgemeine Sicherheitswarnungen für Elektrowerkzeuge

⚠️ WARNUNG Lesen Sie alle Sicherheitshinweise, Anweisungen, Abbildungen und Spezifikationen, die diesem Elektrowerkzeug beiliegen. Eine Missachtung der unten aufgeführten Anweisungen kann zu einem elektrischen Schlag, Brand und/oder schweren Verletzungen führen.

Bewahren Sie alle Warnungen und Anweisungen für spätere Bezugnahme auf.

Der Ausdruck „Elektrowerkzeug“ in den Warnhinweisen bezieht sich auf Ihr mit Netzstrom (mit Kabel) oder Akku (ohne Kabel) betriebenes Elektrowerkzeug.

Sicherheitswarnungen für Akku-Schrauber

1. **Halten Sie das Elektrowerkzeug nur an den isolierten Griffflächen, wenn Sie Arbeiten ausführen, bei denen die Gefahr besteht, dass das Befestigungselement verborgene Kabel kontaktiert.** Bei Kontakt mit einem Strom führenden Kabel können die freiliegenden Metallteile des Elektrowerkzeugs ebenfalls Strom führend werden, so dass der Benutzer einen elektrischen Schlag erleiden kann.
2. **Achten Sie stets auf sicheren Stand.** Vergewissern Sie sich bei Einsatz des Werkzeugs an hochgelegenen Arbeitsplätzen, dass sich keine Personen darunter aufhalten.
3. **Halten Sie das Werkzeug mit festem Griff.**
4. **Halten Sie Ihre Hände von rotierenden Teilen fern.**
5. **Vermeiden Sie eine Berührung des Einsatzes oder des Werkstücks unmittelbar nach der Bearbeitung, weil die Teile noch sehr heiß sind und Hautverbrennungen verursachen können.**
6. **Spannen Sie Werkstücke stets in einen Schraubstock oder eine ähnliche Aufspannvorrichtung ein.**
7. **Vergewissern Sie sich, dass keine Stromkabel, Wasserrohre, Gasrohre usw. vorhanden sind, die bei Beschädigung durch den Einsatz des Werkzeugs eine Gefahr darstellen können.**

DIESE ANWEISUNGEN AUFBEWAHREN.

⚠️ WARNUNG: Lassen Sie sich NICHT durch Bequemlichkeit oder Vertrautheit mit dem Produkt (durch wiederholten Gebrauch erworben) von der strikten Einhaltung der Sicherheitsregeln für das vorliegende Produkt abhalten.

MISSBRAUCH oder Missachtung der Sicherheitsvorschriften in dieser Anleitung können schwere Verletzungen verursachen.

Wichtige Sicherheitsanweisungen für Akku

1. **Lesen Sie vor der Benutzung des Akkus alle Anweisungen und Warnhinweise, die an (1) Ladegerät, (2) Akku und (3) Akkuwerkzeug angebracht sind.**
2. **Unterlassen Sie Zerlegen oder Manipulieren des Akkus.** Es kann sonst zu einem Brand, übermäßiger Hitzeentwicklung oder einer Explosion kommen.
3. **Falls die Betriebszeit beträchtlich kürzer geworden ist, stellen Sie den Betrieb sofort ein.** Anderenfalls besteht die Gefahr von Überhitzung, möglichen Verbrennungen und sogar einer Explosion.
4. **Falls Elektrolyt in Ihre Augen gelangt, waschen Sie sie mit sauberem Wasser aus, und begeben Sie sich unverzüglich in ärztliche Behandlung.** Anderenfalls können Sie Ihre Sehkraft verlieren.

5. **Der Akku darf nicht kurzgeschlossen werden:**
 - (1) Die Kontakte dürfen nicht mit leitfähigem Material berührt werden.
 - (2) Lagern Sie den Akku nicht in einem Behälter zusammen mit anderen Metallgegenständen, wie z. B. Nägel, Münzen usw.
 - (3) Setzen Sie den Akku weder Wasser noch Regen aus.
Ein Kurzschluss des Akkus verursacht starken Stromfluss, der Überhitzung, mögliche Verbrennungen und einen Defekt zur Folge haben kann.
6. **Lagern und benutzen Sie das Werkzeug und den Akku nicht an Orten, an denen die Temperatur 50 °C erreichen oder überschreiten kann.**
7. **Versuchen Sie niemals, den Akku zu verbrennen, selbst wenn er stark beschädigt oder vollkommen verbraucht ist. Der Akku kann im Feuer explodieren.**
8. **Unterlassen Sie Nageln, Schneiden, Zerquetschen, Werfen, Fallenlassen des Akkus oder Schlagen des Akkus mit einem harten Gegenstand.** Eine solche Handlung kann zu einem Brand, übermäßiger Hitzeentwicklung oder einer Explosion führen.
9. **Benutzen Sie keine beschädigten Akkus.**
10. **Die enthaltenen Lithium-Ionen-Akkus unterliegen den Anforderungen der Gefahrgut-Gesetzgebung.**
Für kommerzielle Transporte, z. B. durch Dritte oder Spediteure, müssen besondere Anforderungen zu Verpackung und Etikettierung beachtet werden.
Zur Vorbereitung des zu transportierenden Artikels ist eine Beratung durch einen Experten für Gefahrgut erforderlich. Bitte beachten Sie möglicherweise ausführlichere nationale Vorschriften. Überkleben oder verdecken Sie offene Kontakte, und verpacken Sie den Akku so, dass er sich in der Verpackung nicht umher bewegen kann.
11. **Entfernen Sie den Akku zum Entsorgen vom Werkzeug, und entsorgen Sie ihn an einem sicheren Ort. Befolgen Sie die örtlichen Vorschriften bezüglich der Entsorgung von Akkus.**
12. **Verwenden Sie die Akkus nur mit den von Makita angegebenen Produkten.** Das Einsetzen der Akkus in nicht konforme Produkte kann zu einem Brand, übermäßiger Hitzebildung, einer Explosion oder Auslaufen von Elektrolyt führen.
13. **Soll das Werkzeug längere Zeit nicht benutzt werden, muss der Akku vom Werkzeug entfernt werden.**
14. **Bei und nach dem Gebrauch kann der Akku heiß werden, was Verbrennungen oder Niedertemperaturverbrennungen verursachen kann. Beachten Sie die Handhabung von heißen Akkus.**
15. **Berühren Sie nicht den Anschlusskontakt des Werkzeugs unmittelbar nach dem Gebrauch, da er heiß genug werden kann, um Verbrennungen zu verursachen.**
16. **Achten Sie darauf, dass sich keine Späne, Staub oder Schmutz in den Anschlusskontakten, Löchern und Nuten des Akkus absetzen.** Es könnte sonst zu Erhitzung, Brandauslösung, Bersten und Funktionsstörungen des Werkzeugs oder des Akkus kommen, was zu Verbrennungen oder Personenschäden führen kann.
17. **Wenn das Werkzeug den Einsatz in der Nähe einer Hochspannungs-Stromleitung nicht unterstützt, benutzen Sie den Akku nicht in der Nähe einer Hochspannungs-Stromleitung.** Dies kann zu einer Funktionsstörung oder Betriebsstörung des Werkzeugs oder des Akkus führen.
18. **Halten Sie die Batterie von Kindern fern.**

DIESE ANWEISUNGEN AUFBEWAHREN.

⚠VORSICHT: Verwenden Sie nur Original-Makita-Akkus. Die Verwendung von Nicht-Original-Makita-Akkus oder von Akkus, die abgeändert worden sind, kann zum Bersten des Akkus und daraus resultierenden Bränden, Personenschäden und Beschädigung führen. Außerdem wird dadurch die Makita-Garantie für das Makita-Werkzeug und -Ladegerät ungültig.

Hinweise zur Aufrechterhaltung der maximalen Akku-Nutzungsdauer

1. **Laden Sie den Akku, bevor er vollkommen erschöpft ist. Schalten Sie das Werkzeug stets aus, und laden Sie den Akku, wenn Sie ein Nachlassen der Werkzeugleistung feststellen.**
2. **Unterlassen Sie erneutes Laden eines voll aufgeladenen Akkus. Überladen führt zu einer Verkürzung der Nutzungsdauer des Akkus.**
3. **Laden Sie den Akku bei Raumtemperatur zwischen 10 – 40 °C. Lassen Sie einen heißen Akku abkühlen, bevor Sie ihn laden.**
4. **Wenn Sie den Akku nicht benutzen, nehmen Sie ihn vom Werkzeug oder Ladegerät ab.**
5. **Der Akku muss geladen werden, wenn er lange Zeit (länger als sechs Monate) nicht benutzt wird.**

FUNKTIONSBESCHREIBUNG

⚠ VORSICHT: Vergewissern Sie sich vor der Durchführung von Einstellungen oder Funktionsprüfungen des Werkzeugs stets, dass das Werkzeug ausgeschaltet und der Akku abgenommen ist.

Anbringen und Abnehmen des Akkus

⚠ VORSICHT: Schalten Sie das Werkzeug stets aus, bevor Sie den Akku anbringen oder abnehmen.

⚠ VORSICHT: Halten Sie das Werkzeug und den Akku beim Anbringen oder Abnehmen des Akkus sicher fest. Wenn Sie das Werkzeug und den Akku nicht sicher festhalten, können sie Ihnen aus der Hand rutschen, was zu einer Beschädigung des Werkzeugs und des Akkus und zu Körperverletzungen führen kann.

Richten Sie zum Anbringen des Akkus dessen Führungsfeder auf die Nut im Gehäuse aus, und schieben Sie den Akku hinein. Schieben Sie ihn vollständig ein, bis er mit einem leisen Klicken einrastet. Wenn Sie die rote Anzeige sehen können, wie in der Abbildung gezeigt, ist der Akku nicht vollständig verriegelt.

Ziehen Sie den Akku zum Abnehmen vom Werkzeug ab, während Sie den Knopf an der Vorderseite des Akkus verschieben.

► **Abb. 1:** 1. Rote Anzeige 2. Knopf 3. Akku

⚠ VORSICHT: Schieben Sie den Akku stets bis zum Anschlag ein, bis die rote Anzeige nicht mehr sichtbar ist. Anderenfalls kann er aus dem Werkzeug herausfallen und Sie oder umstehende Personen verletzen.

⚠ VORSICHT: Unterlassen Sie Gewaltanwendung beim Anbringen des Akkus. Falls der Akku nicht reibungslos hineingleitet, ist er nicht richtig ausgerichtet.

Werkzeug/Akku-Schutzsystem

Das Werkzeug ist mit einem Werkzeug/Akku-Schutzsystem ausgestattet. Dieses System schaltet die Stromversorgung des Motors automatisch ab, um die Lebensdauer von Werkzeug und Akku zu verlängern. Das Werkzeug bleibt während des Betriebs automatisch stehen, wenn das Werkzeug oder der Akku einer der folgenden Bedingungen unterliegt:

Überlastschutz

Wird das Werkzeug/der Akku auf eine Weise benutzt, die eine ungewöhnlich hohe Stromaufnahme bewirkt, bleibt das Werkzeug automatisch stehen. Schalten Sie in dieser Situation das Werkzeug aus, und brechen Sie die Arbeit ab, die eine Überlastung des Werkzeugs verursacht hat. Schalten Sie dann das Werkzeug wieder ein, um es neu zu starten.

Überhitzungsschutz

Wenn das Werkzeug/der Akku überhitzt wird, bleibt das Werkzeug automatisch stehen. Lassen Sie das Werkzeug/den Akku in dieser Situation abkühlen, bevor Sie das Werkzeug wieder einschalten.

Überentladungsschutz

Wenn die Akkukapazität unzureichend wird, bleibt das Werkzeug automatisch stehen. Nehmen Sie in diesem Fall den Akku vom Werkzeug ab, und laden Sie ihn auf.

Schutz gegen andere Ursachen

Das Schutzsystem ist auch für andere Ursachen ausgelegt, die eine Beschädigung des Werkzeugs bewirken könnten, und ermöglicht automatisches Anhalten des Werkzeugs. Führen Sie alle folgenden Schritte aus, um die Ursachen zu beseitigen, wenn das Werkzeug zu einem vorübergehenden Stillstand oder Betriebsstopp gekommen ist.

1. Schalten Sie das Werkzeug aus und wieder ein, um es neu zu starten.
2. Laden Sie den/die Akku(s) auf, oder tauschen Sie ihn/sie gegen einen aufgeladenen Akku/aufgeladene Akkus aus.
3. Lassen Sie das Werkzeug und den/die Akku(s) abkühlen.

Falls die Wiederherstellung des Schutzsystems keine Besserung bringt, wenden Sie sich an Ihre lokale Makita-Kundendienststelle.

Warnanzeige

Die Anzeigelampe am Push-Drive-Modus-Wahlschalter löst mit rot blinkenden Leuchten einen Alarm aus, wenn das Werkzeug unter den folgenden Betriebsbedingungen arbeitet.

► **Abb. 2:** 1. Anzeigelampe

Lampenstatus	Ursachen	Abhilfemaßnahmen
Schnelles Blinken (ca. Drittel-Sekunden-Intervalle)	Akku wird schwach	Laden Sie den Akku bei nächster Gelegenheit auf.
Verzögertes Blinken (ca. Ein-Sekunden-Intervalle)	Überhitzt	Lassen Sie das Werkzeug abkühlen, bevor Sie es wieder einschalten.

HINWEIS: Je nach Akkustatus und Betriebsbedingungen kann eine Tiefentladungswarnung erscheinen.

Anzeigen der Akku-Restkapazität

Nur für Akkus mit Anzeige

Drücken Sie die Prüftaste am Akku, um die Akku-Restkapazität anzuzeigen. Die Anzeigelampen leuchten wenige Sekunden lang auf.

► **Abb.3:** 1. Anzeigelampen 2. Prüftaste

Anzeigelampen			Restkapazität
Erleuchtet	Aus	Blinkend	
			75% bis 100%
			50% bis 75%
			25% bis 50%
			0% bis 25%
			Den Akku aufladen.
			Möglicherweise liegt eine Funktionsstörung im Akku vor.

HINWEIS: Abhängig von den Benutzungsbedingungen und der Umgebungstemperatur kann die Anzeige geringfügig von der tatsächlichen Kapazität abweichen.

HINWEIS: Die erste (äußerste linke) Anzeigelampe blinkt, wenn das Akku-Schutzsystem aktiv ist.

Einstellung für gewünschte Schraubenlängen

Für Modell DFR452 / DFR453

Das Werkzeug bietet 4 Einstellungen für formschlüssige Schraubenlängen. Schieben Sie den Tiefenanschlag heraus und hinein, und drücken Sie dabei die Hebel auf der Oberseite des Tiefenanschlags, so dass die Nummer für die gewünschte Schraubenlänge (auf dem Etikett angegeben) im Lesefenster erscheint. In der folgenden Tabelle finden Sie die Nummern, die Ihren gewünschten Schraubenlängen zugeordnet sind.

► **Abb.4:** 1. Tiefenanschlag 2. Hebel
3. Tiefeneinstellskala 4. Gehäuse

Auf dem Etikett angegebene Nummern	Schraubenlängenbereiche
20	20 mm (13/16")
25	25 mm - 28 mm (1" - 1-1/8")
32	28 mm - 35 mm (1-1/8" - 1-3/8")
41	35 mm - 41 mm (1-3/8" - 1-5/8")

Für Modell DFR551 / DFR552

Das Werkzeug bietet 7 Einstellungen für formschlüssige Schraubenlängen. Schieben Sie den Tiefenanschlag heraus und hinein, und drücken Sie dabei die Hebel auf der Oberseite des Tiefenanschlags, so dass die Nummer für die gewünschte Schraubenlänge (auf dem Etikett angegeben) im Lesefenster erscheint. In der folgenden Tabelle finden Sie die Nummern, die Ihren gewünschten Schraubenlängen zugeordnet sind.

► **Abb.5:** 1. Tiefenanschlag 2. Hebel
3. Tiefeneinstellskala 4. Gehäuse

Auf dem Etikett angegebene Nummern	Schraubenlängenbereiche
25	25 mm (1")
30	25 mm - 30 mm (1" - 1-3/16")
35	30 mm - 35 mm (1-3/16" - 1-3/8")
40	35 mm - 40 mm (1-3/8" - 1-9/16")
45	40 mm - 45 mm (1-9/16" - 1-3/4")
50	45 mm - 50 mm (1-3/4" - 2")
55	50 mm - 55 mm (2" - 2-3/16")

Einstellen der Eintreibtiefen

Drücken Sie die Vorderseite des Tiefenanschlags, und halten Sie den Zuführkasten bis zum Anschlag nach unten in das Gehäuse. Halten Sie ihn in dieser Position, und drehen Sie das Einstellrad so, dass die Spitze des Treiberbits ca. 6 mm aus der Vorderseite des Tiefenanschlags herauskommt.

Treiben Sie eine Probeschraube ein. Wenn der Schraubenkopf über der Werkstückoberfläche steht, drehen Sie das Einstellrad in Richtung A; wenn der Schraubenkopf unter der Oberfläche sitzt, drehen Sie das Einstellrad in Richtung B.

► **Abb.6:** 1. Ca. 6 mm 2. Tiefenanschlag
3. Zuführkasten 4. Gehäuse 5. Einstellrad

Einschalten

⚠️ WARNUNG: Vergewissern Sie sich vor dem Einsetzen des Akkus in das Werkzeug stets, dass der Ein-Aus-Schalter ordnungsgemäß funktioniert und beim Loslassen in die AUS-Stellung zurückkehrt.

Zum Starten des Werkzeugs betätigen Sie den Auslöseschalter. Die Werkzeugdrehzahl erhöht sich durch verstärkte Druckausübung auf den Auslöseschalter. Zum Anhalten lassen Sie den Auslöseschalter los.

Für Dauerbetrieb betätigen Sie den Auslöseschalter, drücken den Sperrknopf hinein, und lassen dann den Auslöseschalter los. Zum Ausrasten der Sperre betätigen Sie den Auslöseschalter bis zum Anschlag und lassen ihn dann los.

► **Abb.7:** 1. Griffschalter 2. Sperrknopf

Umschalten der Drehrichtung

⚠ VORSICHT: Prüfen Sie stets die Drehrichtung, bevor Sie mit der Arbeit beginnen.

⚠ VORSICHT: Betätigen Sie den Drehrichtungsumschalter erst, nachdem das Werkzeug völlig zum Stillstand gekommen ist. Durch Umschalten der Drehrichtung bei noch laufendem Werkzeug kann das Werkzeug beschädigt werden.

⚠ VORSICHT: Stellen Sie den Drehrichtungsumschalthebel stets auf die Neutralstellung, wenn Sie das Werkzeug nicht benutzen.

Dieses Werkzeug besitzt einen Drehrichtungsumschalter. Drücken Sie auf die Seite A des Drehrichtungsumschalthebels für Rechtsdrehung, und auf die Seite B für Linksdrehung. In der Neutralstellung des Drehrichtungsumschalthebels ist der Ein-Aus-Schalter verriegelt.

► **Abb.8:** 1. Umschalthebel der Drehrichtung

Push-Drive-Modus

Im Push-Drive-Modus dreht sich das Treiberbit nur durch Druckausübung auf die Eintreibfläche mit dem Tiefenanschlag, wodurch das Werkzeug im Leerlauf die Stromzufuhr zum Motor unterbrechen kann, um Akkustrom zu sparen.

Um den Push-Drive-Modus auszuwählen, ziehen Sie den Auslöseschalter leicht an, lassen Sie ihn dann los, und drücken Sie schnell die Moduswahlta- ste. Die Anzeigelampe am Push-Drive-Modus-Wahlschalter leuchtet dann auf.

► **Abb.9:** 1. Moduswahlta- ste 2. Anzeigelampe

HINWEIS: Der Push-Drive-Modus wird nach acht Stunden automatisch deaktiviert, wenn der Auslöseschalter eingerastet ist und keine weitere Schalterbetätigung erfolgt. Um das Werkzeug wieder zu starten, betätigen Sie den Auslöseschalter bis zum Anschlag, um den Sperrknopf auszurasten, und betätigen Sie den Auslöseschalter erneut.

Funktion zur Verhütung eines versehentlichen Wiederanlaufs

Das Werkzeug startet nicht, selbst wenn Sie den Akku bei betätigtem Auslöseschalter einsetzen. Zum Starten des Werkzeugs lassen Sie den Auslöseschalter zunächst los, bevor Sie ihn betätigen.

MONTAGE

⚠ VORSICHT: Vergewissern Sie sich vor der Ausführung von Arbeiten am Werkzeug stets, dass das Werkzeug ausgeschaltet und der Akku abgenommen ist.

Montieren und Demontieren des Treiberbits

⚠ VORSICHT: Achten Sie beim Zusammenbau der Komponenten und Anbauteile darauf, die scharfen Kanten der Schrauben nicht zu berühren.

⚠ VORSICHT: Behandeln Sie Zubehör und Aufsätze mit Sorgfalt. Achten Sie beim Installieren und Entfernen von Zubehör und Aufsätzen stets darauf, das Gehäuse fest zu halten. Anderenfalls können Ihnen die Zubehörteile und Aufsätze aus den Händen gleiten und herunterfallen.

⚠ VORSICHT: Halten Sie das Gehäuse beim Installieren und Entfernen von Aufsätzen fest.

⚠ VORSICHT: Schalten Sie beim Wechseln des Einsatzes immer den Schalter aus und entfernen Sie den Akku.

Montieren des Treiberbits

1. Um ein Treiberbit zu installieren, setzen Sie es bis zum Anschlag in die Spindelbohrung ein, während Sie die Spindel in das Antriebsgehäuse schieben und halten. Lassen Sie dann die Spindel los, um das Treiberbit zu sichern.

► **Abb.10:** 1. Treiberbit 2. Spindel 3. Antriebsgehäuse

2. Schieben Sie das Gehäuse in das Antriebsgehäuse und halten Sie dabei den Gehäusekörper fest, bis die Entriegelungstasten auf jeder Seite des Gehäuses mit einem leichten Klicken einrasten.

► **Abb.11:** 1. Gehäuse 2. Entriegelungstasten

Entfernen des Treiberbits

1. Halten Sie die Entriegelungstasten auf beiden Seiten des Gehäuses gedrückt, und ziehen Sie dann das Gehäuse auseinander.

► **Abb.12:** 1. Entriegelungstasten 2. Gehäuse

2. Um das Treiberbit zu entfernen, ziehen Sie es ab, während Sie die Spindel in das Antriebsgehäuse drücken und halten.

► **Abb.13:** 1. Treiberbit 2. Spindel 3. Antriebsgehäuse

Montage des Schraubengurts

⚠ VORSICHT: Schalten Sie beim Schneiden des Schraubengurts immer den Schalter aus und entfernen Sie den Akku.

Führen Sie den Schraubengurt durch die Schraubenführung ein. Schieben Sie ihn dann so weit durch die Magazinkammer, bis sich die erste Schraube in Einschraubposition befindet.

► **Abb.14:** 1. Schraubengurt 2. Schraubengurtführung 3. Gehäuse 4. Schraubenladeführung 5. Zuführkasten

ANMERKUNG: Achten Sie darauf, die erste Schraube in die zweite Reihe neben der Eintreibposition einzusetzen.

► **Abb.15:** 1. Erste Schraube 2. Schraubposition

Entfernen des Schraubengurts

⚠ VORSICHT: Entfernen Sie immer den Schraubengurt, bevor Sie den Aufsatz entfernen.

Um den Schraubengurt zu entfernen, ziehen Sie ihn nach oben aus dem Zuführkasten heraus.

► **Abb.16**

Der Schraubengurt kann nach unten aus dem Zuführkasten herausgezogen werden, während die Umschalttaste am Zuführkasten gedrückt wird.

► **Abb.17:** 1. Umschalttaste 2. Zuführkasten

Montieren des Aufhängers

⚠ WARNUNG: Verwenden Sie die Aufhänge-/Montage Teile nur für den bestimmungsgemäßen Gebrauch, z. B. zum Aufhängen des Werkzeugs an einem Werkzeuggürtel zwischen Arbeitseinsätzen oder Arbeitsintervallen.

⚠ WARNUNG: Achten Sie darauf, den Aufhänger nicht zu überlasten, da zu viel Kraft oder unregelmäßige Überlastungen Beschädigungen am Werkzeug verursachen können, die zu Verletzungen führen können.

⚠ VORSICHT: Wenn Sie den Aufhänger anbringen, sichern Sie ihn immer einwandfrei mit der Schraube. Anderenfalls kann sich der Aufhänger vom Werkzeug lösen und Personenschaden verursachen.

⚠ VORSICHT: Achten Sie darauf, dass Sie das Werkzeug sicher aufhängen, bevor Sie den Griff loslassen. Unzureichendes oder unausgewogenes Einhängen kann ein Herunterfallen verursachen, und Sie können sich verletzen.

► **Abb.18:** 1. Führungsnut 2. Aufhänger 3. Schraube

Der Aufhänger ist praktisch, um das Werkzeug vorübergehend aufzuhängen. Der Aufhänger kann auf beiden Seiten des Werkzeugs angebracht werden. Um den Aufhänger anzubringen, führen Sie ihn in die Nut entweder auf der linken oder rechten Seite des Werkzeuggehäuses ein, und sichern Sie ihn dann mit einer Schraube. Um den Aufhänger zu entfernen, lösen Sie die Schraube, und nehmen Sie dann den Aufhänger heraus.

Verwendung der Öse

⚠ WARNUNG: Verwenden Sie die Aufhängeöse niemals für einen unbeabsichtigten Zweck, z. B. zum Anbinden des Werkzeugs an einer hoch gelegenen Position. Die Lagerbelastung in einer stark belasteten Öse kann Beschädigungen an der Öse verursachen, die zu Verletzungen bei Ihnen oder Personen in Ihrer Umgebung oder unterhalb von Ihnen führen können.

Verwenden Sie die Aufhängeöse an der unteren Rückseite des Werkzeugs, um das Werkzeug unter Verwendung eines Aufhängekabels oder ähnlicher Schnüre an eine Wand zu hängen.

► **Abb.19:** 1. Aufhängeöse

ARBEIT

Schraubetrieb

ANMERKUNG: Überprüfen Sie das Treiberbit vor Schraubarbeiten immer sorgfältig auf Verschleiß. Ersetzen Sie ein verschlissenes Treiberbit, anderenfalls kann es zu mangelhafter Befestigung kommen.

ANMERKUNG: Halten Sie das Werkzeug stets rechtwinklig zur Eintreibfläche. Wird es schräg gehalten, können die Schraubenköpfe beschädigt werden, und es kann Verschleiß des Treiberbits verursacht werden. Dies kann auch zu mangelhafter Befestigung führen.

ANMERKUNG: Halten Sie das Werkzeug stets fest gegen die Eintreibfläche gedrückt, bis der Eintreibvorgang abgeschlossen ist. Anderenfalls kann es zu unzureichender Befestigung von Schrauben kommen.

ANMERKUNG: Achten Sie darauf, dass Sie keine Schraube auf eine bereits eingetriebene andere Schraube eintreiben.

ANMERKUNG: Betreiben Sie das Werkzeug nicht ohne Schrauben. Dadurch wird die Eintreibfläche beschädigt.

ANMERKUNG: Tragen Sie kein Öl oder Schmierfett auf die Gleitfläche des Zuführkastens auf.

Schalten Sie das Werkzeug ein, indem Sie den Auslöseschalter betätigen. Halten Sie das Werkzeug fest und gerade zum Werkstück. Die Schraube wird dann automatisch zur Einschraubposition transportiert und in das Werkstück geschraubt.

► **Abb.20**

Eintreibbetrieb im Push-Drive-Modus

1. Ziehen Sie den Auslöseschalter leicht an, und lassen Sie ihn wieder los. Drücken Sie dann schnell die Moduswahltaaste.

Die Anzeigelampe am Push-Drive-Modus-Wahlschalter leuchtet auf, und der Push-Drive-Modus wird aktiviert.

► **Abb.21:** 1. Moduswahltaaste 2. Anzeigelampe

2. Drücken Sie den Sperrknopf hinein, während Sie den Auslöseschalter betätigen, und lassen Sie dann den Auslöseschalter los.

► **Abb.22:** 1. Sperrknopf 2. Auslöseschalter

HINWEIS: Während der Auswahl des Push-Drive-Modus und der Verriegelung des Auslösers dreht sich der Motor im Leerlauf nicht, um den Stromverbrauch zu minimieren.

3. Halten Sie das Werkzeug rechtwinklig zur Eintreibfläche, und üben Sie Vorwärtsdruck auf das Werkzeug aus.

Die Schraube wird automatisch zur Eintreibposition befördert und mit voller Drehzahl eingetrieben.

► **Abb.23**

Schrauben in Ecken

⚠ VORSICHT: Das Eintreiben an einer Position, die näher als 15 mm an der Wand ist, oder das Eintreiben mit dem Tiefenanschlag in Kontakt mit der Wand kann die Schraubenköpfe beschädigen und Verschleiß am Treiberbit verursachen. Dies kann auch zu mangelhafter Befestigung von Schrauben und einer Funktionsstörung des Werkzeugs führen.

Dieses Werkzeug kann zum Eintreiben an einer Position 15 mm von der Wand entfernt verwendet werden, wie in der Abbildung gezeigt.

► **Abb.24:** 1. Wand 2. Tiefenanschlag 3. 15 mm

Lösebetrieb

⚠ VORSICHT: Prüfen Sie stets die Drehrichtung, bevor Sie mit der Arbeit beginnen.

⚠ VORSICHT: Betätigen Sie den Drehrichtungsumschalter erst, nachdem das Werkzeug völlig zum Stillstand gekommen ist. Durch Umschalten der Drehrichtung bei noch laufendem Werkzeug kann das Werkzeug beschädigt werden.

Mit dem Werkzeug können Sie die Drehrichtung des Treiberbits ganz einfach ändern, entweder nach rechts (im Uhrzeigersinn), um eine Schraube anzuziehen, oder nach links (gegen den Uhrzeigersinn), um eine Schraube zu lösen.

1. Drücken Sie den Drehrichtungsumschalthebel für Drehung gegen den Uhrzeigersinn auf der Seite B hinein.

► **Abb.25:** 1. Drehrichtungsumschalthebel

2. Halten Sie die Entriegelungstasten auf beiden Seiten des Gehäuses gedrückt, und ziehen Sie dann das Gehäuse auseinander.

► **Abb.26:** 1. Entriegelungstasten 2. Gehäuse

3. Führen Sie die Spitze des Treiberbits in den Kopf der zu lösenden Schraube ein.

4. Halten Sie das Werkzeug fest gegen die Schraube gedrückt, und drücken Sie den Auslöseschalter, um den Vorgang zu starten.

► **Abb.27:** 1. Treiberbit 2. Schraubenkopf
3. Auslöseschalter

5. Setzen Sie das Gehäuse nach Abschluss des Vorgangs wieder auf das Antriebsgehäuse, bis es einrastet.

WARTUNG

⚠ VORSICHT: Vergewissern Sie sich vor der Durchführung von Inspektions- oder Wartungsarbeiten stets, dass das Werkzeug ausgeschaltet und der Akku abgenommen ist.

ANMERKUNG: Verwenden Sie auf keinen Fall Benzin, Waschbenzin, Verdünnern, Alkohol oder dergleichen. Solche Mittel können Verfärbung, Verförmung oder Rissbildung verursachen.

Um die SICHERHEIT und ZUVERLÄSSIGKEIT dieses Produkts zu gewährleisten, sollten Reparaturen und andere Wartungs- oder Einstellarbeiten nur von Makita-Vertragswerkstätten oder Makita-Kundendienstzentren unter ausschließlicher Verwendung von Makita-Originalersatzteilen ausgeführt werden.

Nach der Benutzung

Wischen Sie das Werkzeug in regelmäßigen Abständen mit einem trockenen oder leicht mit Seifenwasser angefeuchteten Tuch ab.

SONDERZUBEHÖR

⚠ VORSICHT: Die folgenden Zubehörteile oder Vorrichtungen werden für den Einsatz mit dem in dieser Anleitung beschriebenen Makita-Werkzeug empfohlen. Die Verwendung anderer Zubehörteile oder Vorrichtungen kann eine Verletzungsgefahr darstellen. Verwenden Sie Zubehörteile oder Vorrichtungen nur für ihren vorgesehenen Zweck.

Wenn Sie weitere Einzelheiten bezüglich dieser Zubehörteile benötigen, wenden Sie sich bitte an Ihre Makita-Kundendienststelle.

- Trockenbau-Schraubengurt
- Phillips-Einsatz
- Vierkantbit
- Pozidriv-Bit
- Gehäuse
- Original-Makita-Akku und -Ladegerät

HINWEIS: Manche Teile in der Liste können als Standardzubehör im Werkzeugsatz enthalten sein. Sie können von Land zu Land unterschiedlich sein.

DATI TECNICI

Modello:	DFR452	DFR453	DFR551	DFR552
Viti a nastro	ø3,5 mm x 20 mm - ø4,2 mm x 41 mm		ø3,5 mm x 25 mm - ø4,2 mm x 55 mm	
Velocità a vuoto	0 - 6.000 min ⁻¹	0 - 4.500 min ⁻¹	0 - 6.000 min ⁻¹	0 - 4.500 min ⁻¹
Lunghezza complessiva	360 mm		396 mm	
Tensione nominale	18 V CC			
Peso netto	Da 1,9 a 2,2 kg			

- A causa del nostro programma continuativo di ricerca e sviluppo, i dati tecnici sono soggetti a modifiche senza preavviso.
- I dati tecnici possono variare da nazione a nazione.
- Il peso può variare a seconda dell'accessorio o degli accessori, inclusa la cartuccia della batteria. La combinazione più leggera e quella più pesante, secondo la procedura EPTA 01/2014, sono indicate nella tabella.

Cartuccia della batteria e caricabatterie applicabili

Cartuccia della batteria	BL1815N / BL1820B / BL1830B / BL1840B / BL1850B / BL1860B
Caricabatterie	DC18RC / DC18RD / DC18RE / DC18SD / DC18SE / DC18SF / DC18SH / DC18WC

- Alcune cartucce delle batterie e alcuni caricabatterie elencati sopra potrebbero non essere disponibili a seconda della propria area geografica di residenza.

⚠AVVERTIMENTO: Utilizzare solo le cartucce delle batterie e i caricabatterie elencati sopra. L'utilizzo di altre cartucce delle batterie e di altri caricabatterie potrebbe causare lesioni personali e/o un incendio.

Utilizzo previsto

Questo utensile è destinato all'avvitamento di viti nel legno, nel metallo e nella plastica.

Rumore

Livello tipico di rumore pesato A determinato in base allo standard EN62841-2-2:

Modello	Livello di pressione sonora (L _{pA}): (dB (A))	Incertezza (K): (dB (A))
DFR452	78	3
DFR453	79	3
DFR551	77	3
DFR552	78	3

Il livello del rumore nelle condizioni di lavoro può superare gli 80 dB (A).

NOTA: Il valore o i valori dichiarati delle emissioni di rumori sono stati misurati in conformità a un metodo standard di verifica, e possono essere utilizzati per confrontare un utensile con un altro.

NOTA: Il valore o i valori dichiarati delle emissioni di rumori possono venire utilizzati anche per una valutazione preliminare dell'esposizione.

⚠AVVERTIMENTO: Indossare protezioni per le orecchie.

⚠AVVERTIMENTO: L'emissione di rumori durante l'utilizzo effettivo dell'utensile elettrico può variare rispetto al valore o ai valori dichiarati, a seconda dei modi in cui viene utilizzato l'utensile e specialmente a seconda di che tipo di pezzo venga lavorato.

⚠AVVERTIMENTO: Accertarsi di identificare misure di sicurezza per la protezione dell'operatore che siano basate su una stima dell'esposizione nelle condizioni effettive di utilizzo (tenendo conto di tutte le parti del ciclo operativo, ad esempio del numero di spegnimenti dell'utensile e di quando giri a vuoto, oltre al tempo di attivazione).

Vibrazioni

Valore totale delle vibrazioni (somma vettoriale triassiale) determinato in base allo standard EN62841-2-2:

Modalità di lavoro: smerigliatura di superficie con impugnatura laterale normale

Modello	Emissione di vibrazioni (a _v): (m/s ²)	Incertezza (K): (m/s ²)
DFR452	2,5 m/s ² o inferiore	1,5 m/s ²
DFR453		
DFR551		
DFR552		

NOTA: Il valore o i valori complessivi delle vibrazioni dichiarati sono stati misurati in conformità a un metodo standard di verifica, e possono essere utilizzati per confrontare un utensile con un altro.

NOTA: Il valore o i valori complessivi delle vibrazioni dichiarati possono venire utilizzati anche per una valutazione preliminare dell'esposizione.

⚠AVVERTIMENTO: L'emissione delle vibrazioni durante l'utilizzo effettivo dell'utensile elettrico può variare rispetto al valore o ai valori dichiarati, a seconda dei modi in cui viene utilizzato l'utensile, specialmente a seconda di che tipo di pezzo venga lavorato.

⚠AVVERTIMENTO: Accertarsi di identificare misure di sicurezza per la protezione dell'operatore che siano basate su una stima dell'esposizione nelle condizioni effettive di utilizzo (tenendo conto di tutte le parti del ciclo operativo, ad esempio del numero di spegnimenti dell'utensile e di quando giri a vuoto, oltre al tempo di attivazione).

Dichiarazioni di conformità

Solo per i paesi europei

Le Dichiarazioni di conformità sono incluse nell'Allegato A al presente manuale d'uso.

AVVERTENZE DI SICUREZZA

Avvertenze generali relative alla sicurezza dell'utensile elettrico

⚠AVVERTIMENTO Leggere tutte le avvertenze di sicurezza, le istruzioni, le illustrazioni e i dati tecnici forniti insieme a questo utensile elettrico. La mancata osservanza di tutte le istruzioni seguenti potrebbe risultare in scosse elettriche, incendi e/o gravi lesioni personali.

Conservare tutte le avvertenze e le istruzioni come riferimento futuro.

Il termine "utensile elettrico" nelle avvertenze si riferisce sia all'utensile elettrico (cablato) nel funzionamento alimentato da rete elettrica che all'utensile elettrico (a batteria) nel funzionamento alimentato a batteria.

Avvertenze di sicurezza relative all'avvitatore a batteria

1. **Mantenere l'utensile per le superfici di impugnatura isolate, quando si intende eseguire un'operazione in cui l'elemento di fissaggio potrebbe entrare in contatto con cablaggi nascosti.** Gli elementi di fissaggio che entrino in contatto con un filo elettrico sotto tensione potrebbero mettere sotto tensione le parti metalliche esposte dell'utensile elettrico, e potrebbero dare una scossa elettrica all'operatore.

2. **Accertarsi sempre di appoggiare i piedi saldamente.**
Quando si intende utilizzare l'utensile in posizioni elevate, accertarsi sempre che non sia presente alcuna persona sotto di sé.
3. **Tenere saldamente l'utensile.**
4. **Tenere le mani lontane dalle parti rotanti.**
5. **Non toccare la punta o il pezzo in lavorazione subito dopo l'uso; la loro temperatura potrebbe essere estremamente elevata e potrebbero causare ustioni.**
6. **Fissare sempre il pezzo in lavorazione in una morsa o in un dispositivo di fissaggio simile.**
7. **Accertarsi che non siano presenti cavi elettrici, tubi dell'acqua, tubi del gas, e così via, che potrebbero costituire un pericolo qualora venissero danneggiati dall'utilizzo dell'utensile.**

CONSERVARE LE PRESENTI ISTRUZIONI.

⚠AVVERTIMENTO: NON lasciare che la comodità o la familiarità d'uso con il prodotto (acquisita con l'uso ripetuto) sostituiscano la stretta osservanza delle norme di sicurezza.

L'USO IMPROPRIO o la mancata osservanza delle norme di sicurezza riportate nel presente manuale di istruzioni potrebbero causare lesioni personali gravi.

Istruzioni di sicurezza importanti per la cartuccia della batteria

1. **Prima di utilizzare la cartuccia della batteria, leggere tutte le istruzioni e le avvertenze riportate (1) sul caricabatteria, (2) sulla batteria e (3) sul prodotto che utilizza la batteria.**
2. **Non smantellare né manomettere la cartuccia della batteria.** In caso contrario, si potrebbe causare un incendio, calore eccessivo o un'esplosione.
3. **Qualora il tempo di utilizzo si riduca eccessivamente, interrompere immediatamente l'utilizzo dell'utensile.** In caso contrario, si può incorrere nel rischio di surriscaldamento, possibili ustioni e persino un'esplosione.
4. **Qualora l'elettrolita entri in contatto con gli occhi, sciacquarli con acqua pulita e richiedere immediatamente assistenza medica.** Questa eventualità può risultare nella perdita della vista.
5. **Non cortocircuitare la cartuccia della batteria:**
 - (1) **Non toccare i terminali con alcun materiale conduttivo.**
 - (2) **Evitare di conservare la cartuccia della batteria in un contenitore insieme ad altri oggetti metallici quali chiodi, monete, e così via.**
 - (3) **Non esporre la cartuccia della batteria all'acqua o alla pioggia.****Un cortocircuito della batteria può causare un grande flusso di corrente, un surriscaldamento, possibili ustioni e persino un guasto.**

6. **Non conservare e utilizzare l'utensile e la cartuccia della batteria in ubicazioni in cui la temperatura possa raggiungere o superare i 50°C.**
7. **Non incenerire la cartuccia della batteria anche qualora sia gravemente danneggiata o completamente esaurita. La cartuccia della batteria può esplodere se a contatto con il fuoco.**
8. **Non inchiodare, tagliare, schiacciare, lanciare o far cadere la cartuccia della batteria, né farla urtare con forza contro un oggetto duro.** Questi comportamenti potrebbero risultare in un incendio, calore eccessivo o un'esplosione.
9. **Non utilizzare una batteria danneggiata.**
10. **Le batterie a ioni di litio contenute sono soggette ai requisiti del regolamento sul trasporto di merci pericolose (Dangerous Goods Legislation).**
Per trasporti commerciali, ad esempio da parte di terzi o spedizionieri, è necessario osservare dei requisiti speciali sull'imballaggio e sull'etichetta. Per la preparazione dell'articolo da spedire, è richiesta la consulenza di un esperto in materiali pericolosi. Attenersi anche alle normative nazionali, che potrebbero essere più dettagliate. Nasturare o coprire i contatti aperti e imballare la batteria in modo tale che non si possa muovere liberamente all'interno dell'imballaggio.
11. **Quando si intende smaltire la cartuccia della batteria, rimuoverla dall'utensile e smaltirla in un luogo sicuro. Attenersi alle normative locali relative allo smaltimento della batteria.**
12. **Utilizzare le batterie esclusivamente con i prodotti specificati da Makita.** L'installazione delle batterie in prodotti non compatibili potrebbe risultare in incendi, calore eccessivo, esplosioni o perdite di liquido elettrolitico.
13. **Se l'utensile non viene utilizzato per un periodo di tempo prolungato, la batteria deve essere rimossa dall'utensile.**
14. **Durante e dopo l'uso, la cartuccia della batteria potrebbe assorbire calore, che può causare ustioni o ustioni a bassa temperatura.** Fare attenzione a come si maneggiano le cartucce delle batterie estremamente calde.
15. **Non toccare i terminali dell'utensile subito dopo l'uso, in quanto potrebbero diventare estremamente caldi al punto da causare ustioni.**
16. **Evitare di far incastrare schegge, polveri o terreno nei terminali, nei fori e nelle scanalature della cartuccia della batteria.** In caso contrario, l'utensile o la cartuccia della batteria potrebbero riscaldarsi, prendere fuoco, scoppiare o guastarsi, causando ustioni o lesioni personali.
17. **A meno che l'utensile supporti l'uso in prossimità di linee elettriche ad alta tensione, non utilizzare la cartuccia della batteria in prossimità di linee elettriche ad alta tensione.** In caso contrario, si potrebbe causare un malfunzionamento o la rottura dell'utensile o della cartuccia della batteria.
18. **Tenere la batteria lontana dai bambini.**

CONSERVARE LE PRESENTI ISTRUZIONI.

⚠ATTENZIONE: Utilizzare solo batterie originali Makita. L'utilizzo di batterie Makita non originali, o di batterie che siano state alterate, potrebbe risultare nello scoppio della batteria, causando incendi, lesioni personali e danni. Inoltre, ciò potrebbe invalidare la garanzia Makita per l'utensile e il caricabatterie Makita.

Suggerimenti per preservare la durata massima della batteria

1. **Caricare la cartuccia della batteria prima che si scarichi completamente.** Smettere sempre di utilizzare l'utensile e caricare la cartuccia della batteria quando si nota che la potenza dell'utensile è diminuita.
2. **Non ricaricare mai una cartuccia della batteria completamente carica.** La sovraccarica riduce la vita utile della batteria.
3. **Caricare la cartuccia della batteria a una temperatura ambiente compresa tra 10 °C e 40 °C.** Lasciar raffreddare una cartuccia della batteria prima di caricarla.
4. **Quando non si utilizza la cartuccia della batteria, rimuoverla dall'utensile o dal caricabatterie.**
5. **Caricare la cartuccia della batteria se non la si è utilizzata per un periodo di tempo prolungato (più di sei mesi).**

DESCRIZIONE DELLE FUNZIONI

⚠ATTENZIONE: Accertarsi sempre che l'utensile sia spento e che la cartuccia della batteria sia stata rimossa prima di regolare o di controllare il funzionamento dell'utensile.

Installazione o rimozione della cartuccia della batteria

⚠ATTENZIONE: Spegnerne sempre l'utensile prima di installare o rimuovere la cartuccia della batteria.

⚠ATTENZIONE: Mantenere saldamente lo strumento e la batteria quando si intende installare o rimuovere la cartuccia della batteria. Qualora non si mantengano saldamente lo strumento e la cartuccia della batteria, questi ultimi potrebbero scivolare dalle mani, con la possibilità di causare un danneggiamento dello strumento e della cartuccia della batteria, nonché una lesione personale.

Per installare la cartuccia della batteria, allineare la linguetta sulla cartuccia della batteria con la scanalatura nell'alloggiamento e farla scivolare in sede. Inserirla completamente fino al suo blocco in sede con un leggero scatto. Se è possibile vedere l'indicatore rosso, come indicato nella figura, non è bloccata completamente.

Per rimuovere la cartuccia della batteria, farla scorrere via dall'utensile mentre si fa scorrere allo stesso tempo il pulsante sulla parte anteriore della cartuccia.

► Fig. 1: 1. Indicatore rosso 2. Pulsante 3. Cartuccia della batteria

⚠ATTENZIONE: Installare sempre fino in fondo la cartuccia della batteria, fino a quando l'indicatore rosso non è più visibile. In caso contrario, la batteria potrebbe cadere accidentalmente dall'utensile, causando lesioni personali all'operatore o a chi gli è vicino.

⚠ATTENZIONE: Non installare forzatamente la cartuccia della batteria. Qualora la batteria non si inserisca scorrendo agevolmente, vuol dire che non viene inserita correttamente.

Sistema di protezione strumento/batteria

L'utensile è dotato di un sistema di protezione dell'utensile stesso e della batteria. Tale sistema interrompe automaticamente l'alimentazione al motore per prolungare la vita utile dell'utensile e della batteria. L'utensile si arresta automaticamente durante il funzionamento, qualora l'utensile o la batteria vengano a trovarsi in una delle condizioni seguenti:

Protezione dal sovraccarico

Quando si utilizza l'utensile o la batteria in un modo tale da causare un assorbimento di corrente elevato in modo anomalo, l'utensile si arresta automaticamente. In questa circostanza, spegnere l'utensile e interrompere l'applicazione che ha causato il sovraccarico dell'utensile. Quindi, accendere l'utensile per ricominciare.

Protezione dal surriscaldamento

Quando l'utensile o la batteria sono surriscaldati, l'utensile si arresta automaticamente. In questa situazione, lasciar raffreddare l'utensile o la batteria prima di riaccendere l'utensile.

Protezione dalla sovrascarica

Quando la carica della batteria non è sufficiente, l'utensile si arresta automaticamente. In tal caso, rimuovere la batteria dall'utensile e caricarla.

Protezione da altre cause

Il sistema di protezione è progettato anche per altre cause che potrebbero danneggiare l'utensile, e consente all'utensile di arrestarsi automaticamente. Adottare tutte le misure seguenti per rimuovere le cause, quando l'utensile è stato portato a un'interruzione temporanea o a un arresto del funzionamento.

1. Spegnere l'utensile, quindi riaccenderlo per ricominciare.
2. Caricare la batteria o le batterie, o sostituirla/sostituirla con una batteria o delle batterie ricaricate.
3. Lasciar raffreddare l'utensile e la batteria o le batterie.

Qualora non si riscontri alcun miglioramento riprobandone il sistema di protezione, contattare il proprio centro di assistenza locale Makita.

Indicatore di avviso

L'indicatore luminoso sul selettore della modalità di trasmissione a spinta emette un avviso con luci rosse lampeggianti quando l'utensile funziona nelle condizioni operative seguenti.

► Fig.2: 1. Indicatore luminoso

Stato dell'indicatore	Cause	Soluzioni
Lampeggiamento rapido (a intervalli di circa un terzo di secondo)	La batteria si sta scaricando	Caricare la batteria alla prima opportunità.
Lampeggiamento ritardato (a intervalli di circa un secondo)	Surriscaldato	Lasciar raffreddare l'utensile prima di riaccenderlo.

NOTA: Potrebbe venire visualizzato un avviso di sovrascarica, a seconda dello stato della batteria e delle condizioni operative.

Indicazione della carica residua della batteria

Solo per cartucce delle batterie dotate di indicatore

Premere il pulsante di controllo sulla cartuccia della batteria per indicare la carica residua della batteria. Gli indicatori luminosi si illuminano per alcuni secondi.

► Fig.3: 1. Indicatori luminosi 2. Pulsante di controllo

Indicatori luminosi			Carica residua
■ Illuminato	□ Spento	◐ Lampeggiante	
■ ■ ■ ■			Dal 75% al 100%
■ ■ ■ □			Dal 50% al 75%
■ ■ □ □			Dal 25% al 50%
■ □ □ □			Dallo 0% al 25%
◐ □ □ □			Caricare la batteria.
■ ■ □ □			La batteria potrebbe essersi guastata.
□ □ ■ ■			

NOTA: A seconda delle condizioni d'uso e della temperatura ambiente, l'indicazione potrebbe variare leggermente rispetto alla carica effettiva.

NOTA: Il primo indicatore luminoso (all'estremità sinistra) lampeggia quando il sistema di protezione della batteria è in funzione.

Impostazione per le lunghezze delle viti desiderate

Per i modelli DFR452/DFR453

L'utensile offre 4 impostazioni delle lunghezze delle viti con blocco positivo. Far scorrere la base di fermo verso l'esterno e verso l'interno mentre si tengono premute le leve sulla superficie superiore della base di fermo stessa, in modo che il numero della lunghezza delle viti desiderata (indicata sull'etichetta) venga visualizzato nella finestrella di lettura. Per i dettagli sui numeri assegnati alle lunghezze delle viti desiderate, vedere la tabella seguente.

- **Fig.4:** 1. Base di fermo 2. Leve 3. Etichetta
4. Finestrella di lettura

Numeri indicati sull'etichetta	Intervalli delle lunghezze delle viti
20	20 mm (13/16")
25	Da 25 mm a 28 mm (1" - 1-1/8")
32	Da 28 mm a 35 mm (1-1/8" - 1-3/8")
41	Da 35 mm a 41 mm (1-3/8" - 1-5/8")

Per i modelli DFR551/DFR552

L'utensile offre 7 impostazioni delle lunghezze delle viti con blocco positivo. Far scorrere la base di fermo verso l'esterno e verso l'interno mentre si tengono premute le leve sulla superficie superiore della base di fermo stessa, in modo che il numero della lunghezza delle viti desiderata (indicata sull'etichetta) venga visualizzato nella finestrella di lettura. Per i dettagli sui numeri assegnati alle lunghezze delle viti desiderate, vedere la tabella seguente.

- **Fig.5:** 1. Base di fermo 2. Leve 3. Etichetta
4. Finestrella di lettura

Numeri indicati sull'etichetta	Intervalli delle lunghezze delle viti
25	25 mm (1")
30	Da 25 mm a 30 mm (1" - 1-3/16")
35	Da 30 mm a 35 mm (1-3/16" - 1-3/8")
40	Da 35 mm a 40 mm (1-3/8" - 1-9/16")
45	Da 40 mm a 45 mm (1-9/16" - 1-3/4")
50	Da 45 mm a 50 mm (1-3/4" - 2")
55	Da 50 mm a 55 mm (2" - 2-3/16")

Regolazione delle profondità di avvitatura

Premere il lato anteriore della base di fermo e tenere premuto il contenitore di alimentazione verso il basso fino in fondo nell'involucro esterno. Mentre si mantiene il contenitore di alimentazione in tale posizione, ruotare il selettore di regolazione in modo che la punta per avvitatore fuoriesca di circa 6 mm dal lato anteriore della base di fermo.

Avvitare una vite di prova. Qualora la testa della vite si trovi più in alto rispetto alla superficie del pezzo in lavorazione, ruotare il selettore di regolazione nella direzione A; qualora la testa della vite si trovi al di sotto della superficie, ruotare il selettore di regolazione nella direzione B.

- **Fig.6:** 1. Circa 6 mm 2. Base di fermo
3. Contenitore di alimentazione 4. Involucro esterno 5. Selettore di regolazione

Funzionamento dell'interruttore

⚠AVVERTIMENTO: Prima di inserire la cartuccia della batteria nell'utensile, controllare sempre che l'interruttore a grilletto funzioni correttamente e torni sulla posizione "OFF" quando viene rilasciato.

Per avviare l'utensile, premere l'interruttore a grilletto. La velocità dell'utensile viene aumentata incrementando la pressione sull'interruttore a grilletto. Per arrestare l'utensile, rilasciare l'interruttore a grilletto.

Per il funzionamento continuo, premere l'interruttore a grilletto, far rientrare il pulsante di blocco premendolo, quindi rilasciare il grilletto. Per arrestare l'utensile dalla posizione bloccata, premere fino in fondo l'interruttore a grilletto, quindi rilasciarlo.

- **Fig.7:** 1. Interruttore a grilletto 2. Pulsante di blocco

Uso del commutatore di inversione della rotazione

⚠ATTENZIONE: Controllare sempre la direzione di rotazione prima dell'uso.

⚠ATTENZIONE: Utilizzare il commutatore di inversione della rotazione solo dopo l'arresto completo dell'utensile. Qualora si cambi la direzione di rotazione prima dell'arresto dell'utensile, si potrebbe danneggiare quest'ultimo.

⚠ATTENZIONE: Quando l'utensile non è in uso, impostare sempre la leva del commutatore di inversione della rotazione sulla posizione centrale.

Questo utensile è dotato di un commutatore di inversione della rotazione, per cambiare la direzione di rotazione. Premere la leva del commutatore di inversione della rotazione dal lato A per la rotazione in senso orario, o dal lato B per la rotazione in senso antiorario. Quando la leva del commutatore di inversione della rotazione si trova sulla posizione centrale, non è possibile premere l'interruttore a grilletto.

- **Fig.8:** 1. Leva del commutatore di inversione della rotazione

Modalità di trasmissione a spinta

In modalità di trasmissione a spinta, la punta per avvitatore ruota solo quando si applica pressione con la base di fermo sulla superficie di applicazione, il che consente all'utente di interrompere l'alimentazione al motore per risparmiare l'energia della batteria nel funzionamento a vuoto.

Per selezionare la modalità di trasmissione a spinta, premere leggermente l'interruttore a grilletto, quindi rilasciarlo e premere rapidamente il pulsante di selezione della modalità. Quindi, l'indicatore luminoso sul selettore della modalità di trasmissione a spinta si illumina.

► **Fig.9:** 1. Pulsante di selezione della modalità
2. Indicatore luminoso

NOTA: La modalità di trasmissione a spinta viene disattivata automaticamente dopo otto ore, quando l'interruttore a grilletto è bloccato e non viene effettuata alcuna ulteriore operazione con l'interruttore. Per riavviare l'utensile, premere a fondo l'interruttore a grilletto per rilasciare il pulsante di blocco, quindi premere di nuovo il grilletto.

Funzione di prevenzione del riavvio accidentale

Anche se si installa la cartuccia della batteria mentre si tiene premuto l'interruttore a grilletto, l'utensile non si avvia.

Per avviare l'utensile, rilasciare innanzitutto l'interruttore a grilletto, quindi premere l'interruttore a grilletto.

MONTAGGIO

⚠ATTENZIONE: Accertarsi sempre che l'utensile sia spento e che la cartuccia della batteria sia stata rimossa, prima di effettuare qualsiasi intervento sull'utensile.

Installazione e rimozione della punta per avvitatore

⚠ATTENZIONE: Fare attenzione a non toccare i bordi affilati delle viti mentre si rimontano le parti e i componenti aggiuntivi.

⚠ATTENZIONE: Maneggiare gli accessori e i componenti aggiuntivi con cautela. Accertarsi sempre di mantenere saldamente il corpo degli accessori e dei componenti aggiuntivi durante l'installazione e la rimozione. In caso contrario, gli accessori e i componenti aggiuntivi potrebbero scivolare dalle mani dell'utilizzatore e cadere.

⚠ATTENZIONE: Mantenere l'involucro esterno durante l'installazione e la rimozione dei componenti aggiuntivi.

⚠ATTENZIONE: Spegnerne sempre l'utensile e rimuovere sempre la cartuccia della batteria quando si intende cambiare la punta.

Installazione della punta per avvitatore

1. Per installare una punta per avvitatore, inserirla fino in fondo nel foro del mandrino, mentre si tiene premuto il mandrino nell'alloggiamento degli ingranaggi. Quindi, rilasciare il mandrino per fissare la punta per avvitatore.

► **Fig.10:** 1. Punta per avvitatore 2. Mandrino
3. Alloggiamento degli ingranaggi

2. Spingere l'involucro esterno sull'alloggiamento degli ingranaggi mentre si mantiene saldamente il corpo di quest'ultimo, fino a quando i pulsanti di sblocco su ciascun lato dell'involucro esterno si innestano in sede con un piccolo scatto.

► **Fig.11:** 1. Involucro esterno 2. Pulsanti di sblocco

Rimozione della punta per avvitatore

1. Tenere premuti i pulsanti di sblocco su entrambi i lati dell'involucro esterno, quindi separare l'involucro esterno tirandolo.

► **Fig.12:** 1. Pulsanti di sblocco 2. Involucro esterno

2. Per rimuovere la punta per avvitatore, tirarla via mentre si tiene premuto il mandrino nell'alloggiamento degli ingranaggi.

► **Fig.13:** 1. Punta per avvitatore 2. Mandrino
3. Alloggiamento degli ingranaggi

Installazione delle viti a nastro

⚠ATTENZIONE: Spegnerne sempre l'utensile e rimuovere sempre la cartuccia della batteria quando si intende tagliare il nastro di viti.

Inserire il nastro con le viti attraverso la guida per viti a nastro sull'involucro esterno, quindi inserire il nastro attraverso la guida di caricamento delle viti nel contenitore di alimentazione.

► **Fig.14:** 1. Viti a nastro 2. Guida per viti a nastro
3. Involucro esterno 4. Guida di caricamento delle viti 5. Contenitore di alimentazione

AVVISO: Accertarsi di posizionare la prima vite nella seconda fila accanto alla posizione di applicazione.

► **Fig.15:** 1. Prima vite 2. Posizione di applicazione

Rimozione delle viti a nastro

⚠ATTENZIONE: Rimuovere sempre le viti a nastro prima di rimuovere il componente aggiuntivo.

Per rimuovere il nastro con le viti, tirarlo verso l'alto fuori dal contenitore di alimentazione.

► **Fig.16**

È possibile tirare verso il basso il nastro con le viti fuori dal contenitore di alimentazione mentre si tiene premuto il pulsante di retromarcia sul contenitore di alimentazione.

► **Fig.17:** 1. Pulsante di retromarcia 2. Contenitore di alimentazione

Installazione del gancio

⚠AVVERTIMENTO: Utilizzare le parti di sospensione o di montaggio esclusivamente per gli scopi a cui sono destinate, ad es. appendere l'utensile a una cintura portautensili tra un lavoro e l'altro o negli intervalli di lavoro.

⚠AVVERTIMENTO: Fare attenzione a non sovraccaricare il gancio, in quanto una forza eccessiva o un sovraccarico irregolare potrebbero causare danni all'utensile, risultando in lesioni personali.

⚠ATTENZIONE: Quando si intende installare il gancio, fissarlo sempre saldamente con la vite. In caso contrario, il gancio potrebbe staccarsi dall'utensile e causare lesioni personali.

⚠ATTENZIONE: Accertarsi di appendere saldamente l'utensile prima di lasciare la presa. Un aggancio insufficiente o sbilanciato potrebbe causare una caduta, e l'utilizzatore potrebbe subire lesioni personali.

► Fig.18: 1. Scanalatura 2. Gancio 3. Vite

Il gancio è utile per appendere temporaneamente l'utensile. Può essere installato da entrambi i lati dell'utensile. Per installare il gancio, inserirlo in una scanalatura da uno dei lati del corpo dell'utensile, quindi fissarlo con una vite. Per rimuoverlo, allentare la vite ed estrarlo.

Uso del foro

⚠AVVERTIMENTO: Non utilizzare mai il foro di sospensione per scopi a cui non è destinato, ad esempio per legare l'utensile con una cinghia di sicurezza in ubicazioni elevate. La sollecitazione di sostegno in un foro sottoposto a un carico pesante potrebbe causare danni al foro stesso, risultando in lesioni personali all'utilizzatore o alle persone circostanti o sottostanti.

Utilizzare il foro di sospensione sulla parte posteriore inferiore dell'utensile per appendere quest'ultimo a una parete utilizzando un cordino di sospensione o cordicelle simili.

► Fig.19: 1. Foro di sospensione

FUNZIONAMENTO

Operazione di avvvitatura

AVVISO: Controllare sempre l'eventuale presenza di usura della punta per avvvitatore prima delle operazioni di avvvitatura. Sostituire una punta per avvvitatore usurata, altrimenti si potrebbe causare un'avvvitatura scadente.

AVVISO: Mantenere sempre l'utensile ad angolo retto rispetto alla superficie di applicazione. Qualora lo si mantenga angolato, si potrebbero danneggiare le teste delle viti e si potrebbe causare l'usura della punta per avvvitatore. Ciò potrebbe anche causare un'avvvitatura scadente.

AVVISO: Mantenere sempre saldamente l'utensile contro la superficie di applicazione fino al completamento dell'avvvitatura. In caso contrario, si potrebbe causare un'avvvitatura insufficiente delle viti.

AVVISO: Fare attenzione a non applicare una vite su un'altra vite già avvvitata.

AVVISO: Non far funzionare l'utensile senza le viti. In caso contrario, si danneggerebbe la superficie di applicazione.

AVVISO: Non applicare olio o grasso sulla superficie scorrevole del contenitore di alimentazione.

Accendere l'utensile premendo l'interruttore a grilletto. Mantenere saldamente l'utensile ad angolo retto contro la superficie di applicazione. Una vite viene trasportata automaticamente nella posizione di applicazione e viene avvvitata.

► Fig.20

Funzionamento di avvvitatura in modalità di trasmissione a spinta

1. Premere leggermente l'interruttore a grilletto e rilasciarlo. Quindi, premere rapidamente il pulsante di selezione della modalità.

L'indicatore luminoso sul selettore della modalità di trasmissione a spinta si illumina, e la modalità di trasmissione a spinta viene attivata.

► Fig.21: 1. Pulsante di selezione della modalità
2. Indicatore luminoso

2. Far rientrare il pulsante di blocco mentre si tiene premuto l'interruttore a grilletto, quindi rilasciare l'interruttore a grilletto.

► Fig.22: 1. Pulsante di blocco 2. Interruttore a grilletto

NOTA: Quando è selezionata la modalità di trasmissione a spinta e il grilletto è bloccato sull'attivazione, il motore non ruota in condizioni di assenza di carico, per ridurre al minimo il consumo di energia.

3. Mantenere l'utensile ad angolo retto rispetto alla superficie di applicazione, quindi applicare pressione in avanti sull'utensile.

La vite viene trasportata automaticamente nella posizione di applicazione e viene applicata alla massima velocità.

► Fig.23

Applicazione in un angolo

⚠ATTENZIONE: L'applicazione in una posizione a una distanza inferiore a 15 mm dalla parete o l'applicazione con la base di fermo in contatto con la parete potrebbero danneggiare le teste delle viti e causare usura sulla punta per avvitatore. Ciò potrebbe anche causare un'avvitatura scadente delle viti e il malfunzionamento dell'utensile.

È possibile utilizzare questo utensile per l'applicazione in una posizione distante 15 mm dalla parete, come mostrato nella figura.

► **Fig.24:** 1. Parete 2. Base di fermo 3. 15 mm

Operazione di svitatura

⚠ATTENZIONE: Controllare sempre la direzione di rotazione prima dell'uso.

⚠ATTENZIONE: Utilizzare il commutatore di inversione della rotazione solo dopo l'arresto completo dell'utensile. Qualora si cambi la direzione di rotazione prima dell'arresto dell'utensile, si potrebbe danneggiare quest'ultimo.

L'utensile consente di cambiare facilmente la direzione di rotazione della punta per avvitatore verso destra (in senso orario), per serrare una vite, o verso sinistra (in senso antiorario), per allentare una vite.

1. Far rientrare la leva del commutatore di inversione della rotazione dal lato B per la rotazione in senso antiorario.

► **Fig.25:** 1. Leva del commutatore di inversione della rotazione

2. Tenere premuti i pulsanti di sblocco su entrambi i lati dell'involucro esterno, quindi separare l'involucro esterno.

► **Fig.26:** 1. Pulsanti di sblocco 2. Involucro esterno

3. Posizionare la punta per avvitatore nella testa della vite da allentare.

4. Tenere saldamente l'utensile contro la vite e premere l'interruttore a grilletto per avviarlo.

► **Fig.27:** 1. Punta per avvitatore 2. Testa della vite 3. Interruttore a grilletto

5. Al termine dell'operazione, riapplicare l'involucro esterno sull'alloggiamento degli ingranaggi fino a quando si innesta in sede.

MANUTENZIONE

⚠ATTENZIONE: Accertarsi sempre che l'utensile sia spento e che la cartuccia della batteria sia stata rimossa prima di tentare di eseguire interventi di ispezione o manutenzione.

AVVISO: Non utilizzare mai benzina, benzene, solventi, alcol o altre sostanze simili. In caso contrario, si potrebbero causare scolorimenti, deformazioni o crepe.

Per preservare la SICUREZZA e l'AFFIDABILITÀ del prodotto, le riparazioni e qualsiasi altro intervento di manutenzione e di regolazione devono essere eseguiti da un centro di assistenza autorizzato Makita, utilizzando sempre ricambi Makita.

Dopo l'uso

Pulire l'utensile passandovi sopra un panno asciutto o un panno leggermente inumidito con acqua saponata a intervalli regolari.

ACCESSORI OPZIONALI

⚠ATTENZIONE: Questi accessori o componenti aggiuntivi sono consigliati per l'uso con l'utensile Makita specificato nel presente manuale.

L'impiego di altri accessori o componenti aggiuntivi può costituire un rischio di lesioni alle persone. Utilizzare gli accessori o i componenti aggiuntivi solo per il loro scopo prefissato.

Per ottenere ulteriori dettagli relativamente a questi accessori, rivolgersi a un centro di assistenza Makita.

- Viti a nastro per cartongesso
- Punta a croce Phillips
- Punta quadrata
- Punta a croce Pozidriv
- Involucro esterno
- Batteria e caricabatterie originali Makita

NOTA: Alcuni articoli nell'elenco potrebbero essere inclusi nell'imballaggio dell'utensile come accessori standard. Tali articoli potrebbero variare da nazione a nazione.

TECHNISCHE GEGEVENS

Model:	DFR452	DFR453	DFR551	DFR552
Schroefband	ø3,5 mm x 20 mm - ø4,2 mm x 41 mm		ø3,5 mm x 25 mm - ø4,2 mm x 55 mm	
Nullasttoerental	0 - 6.000 min ⁻¹	0 - 4.500 min ⁻¹	0 - 6.000 min ⁻¹	0 - 4.500 min ⁻¹
Totale lengte	360 mm		396 mm	
Nominale spanning	18 V gelijkspanning			
Nettogewicht	1,9 - 2,2 kg			

- In verband met ononderbroken research en ontwikkeling, behouden wij ons het recht voor de bovenstaande technische gegevens zonder voorafgaande kennisgeving te wijzigen.
- De technische gegevens kunnen van land tot land verschillen.
- Het gewicht kan verschillen afhankelijk van de hulpstukken, waaronder de accu. De lichtste en zwaarste combinatie, overeenkomstig de EPTA-procedure 01/2014, worden getoond in de tabel.

Toepasselijke accu's en laders

Accu	BL1815N / BL1820B / BL1830B / BL1840B / BL1850B / BL1860B
Lader	DC18RC / DC18RD / DC18RE / DC18SD / DC18SE / DC18SF / DC18SH / DC18WC

- Sommige van de hierboven vermelde accu's en laders zijn mogelijk niet leverbaar afhankelijk van waar u woont.

⚠️ WAARSCHUWING: Gebruik uitsluitend de accu's en laders die hierboven worden genoemd. Gebruik van enige andere accu of lader kan leiden tot letsel en/of brand.

Gebruiksdoeleinden

Het gereedschap is bedoeld voor het vastdraaien van schroeven in hout, metaal en kunststof.

Geluidsniveau

De typische, A-gewogen geluidsniveaus zijn gemeten volgens EN62841-2-2:

Model	Geluidsdruk-niveau (L_{pA}): (dB (A))	Onzekerheid (K): (dB (A))
DFR452	78	3
DFR453	79	3
DFR551	77	3
DFR552	78	3

Het geluidsniveau kan tijdens gebruik hoger worden dan 80 dB (A).

OPMERKING: De opgegeven geluidsemissiewaarde(n) is/zijn gemeten volgens een standaardtestmethode en kan/kunnen worden gebruikt om dit gereedschap te vergelijken met andere gereedschappen.

OPMERKING: De opgegeven geluidsemissiewaarde(n) kan/kunnen ook worden gebruikt voor een beoordeling vooraf van de blootstelling.

⚠️ WAARSCHUWING: Draag gehoorbescherming.

⚠️ WAARSCHUWING: De geluidsemissie tijdens het gebruik van het elektrisch gereedschap in de praktijk kan verschillen van de opgegeven waarde(n) afhankelijk van de manier waarop het gereedschap wordt gebruikt, met name van het soort werkstuk waarmee wordt gewerkt.

⚠️ WAARSCHUWING: Zorg ervoor dat veiligheidsmaatregelen worden getroffen ter bescherming van de gebruiker die zijn gebaseerd op een schatting van de blootstelling onder praktijkomstandigheden (rekening houdend met alle fasen van de bedrijfscyclus, zoals de tijdsduur gedurende welke het gereedschap is uitgeschakeld en stationair draait, naast de ingeschakelde tijdsduur).

Trilling

De totale trillingswaarde (triaxiale vectorsom) zoals vastgesteld volgens EN62841-2-2:

Gebruikstoepassing: slijpen van oppervlakken met normale zijhandgreep

Model	Trillingsemissie (a_{h}): (m/s ²)	Onzekerheid (K): (m/s ²)
DFR452	2,5 m/s ² of lager	1,5 m/s ²
DFR453		
DFR551		
DFR552		

OPMERKING: De totale trillingswaarde(n) is/zijn gemeten volgens een standaardtestmethode en kan/kunnen worden gebruikt om dit gereedschap te vergelijken met andere gereedschappen.

OPMERKING: De opgegeven totale trillingswaarde(n) kan/kunnen ook worden gebruikt voor een beoordeling vooraf van de blootstelling.

⚠️ WAARSCHUWING: De trillingsemissie tijdens het gebruik van het elektrisch gereedschap in de praktijk kan verschillen van de opgegeven waarde(n) afhankelijk van de manier waarop het gereedschap wordt gebruikt, met name van het soort werkstuk waarmee wordt gewerkt.

⚠️ WAARSCHUWING: Zorg ervoor dat veiligheidsmaatregelen worden getroffen ter bescherming van de gebruiker die zijn gebaseerd op een schatting van de blootstelling onder praktijkomstandigheden (rekening houdend met alle fasen van de bedrijfscyclus, zoals de tijdsduur gedurende welke het gereedschap is uitgeschakeld en stationair draait, naast de ingeschakelde tijdsduur).

Verklaringen van conformiteit

Alleen voor Europese landen

De verklaringen van conformiteit zijn bijgevoegd in Bijlage A bij deze gebruiksaanwijzing.

VEILIGHEIDSWAARSCHUWINGEN

Algemene veiligheidswaarschuwingen voor elektrisch gereedschap

⚠️ WAARSCHUWING Lees alle veiligheidswaarschuwingen, instructies, afbeeldingen en technische gegevens die bij dit elektrisch gereedschap worden geleverd. Als niet alle onderstaande instructies worden opgevolgd, kan dat leiden tot een elektrische schok, brand en/of ernstig letsel.

Bewaar alle waarschuwingen en instructies om in de toekomst te kunnen raadplegen.

De term "elektrisch gereedschap" in de veiligheidsvoorschriften duidt op gereedschappen die op stroom van het lichtnet werken (met snoer) of gereedschappen met een accu (snoerloos).

Veiligheidswaarschuwingen voor een accuschroefmachine

1. **Houd elektrisch gereedschap alleen vast aan de geïsoleerde handgrepen, wanneer u werkt op plaatsen waar het bevestigingsmateriaal met verborgen bedrading in aanraking kan komen.** Als een draad die onder stroom staat wordt beschadigd, kunnen de metalen delen van het gereedschap ook onder stroom komen te staan en kunt u een gevaarlijke elektrische schok krijgen.
2. **Zorg ook altijd dat u stevig op een solide bodem staat.** Controleer dat er niemand onder u staat wanneer u het gereedschap op een hoge plaats gebruikt.
3. **Houd het gereedschap stevig vast.**
4. **Houd uw handen uit de buurt van draaiende delen.**
5. **Raak direct na uw werk het bit of het werkstuk niet aan; ze kunnen erg heet zijn en u zou zich kunnen branden.**
6. **Zet het werkstuk altijd vast in een bankschroef of soortgelijke klemvoorziening.**
7. **Verzeker u ervan dat er geen elektriciteitskabels, waterleidingen, gasleidingen, enz. zijn die een gevaarlijke situatie zouden kunnen veroorzaken als ze worden beschadigd door het gebruik van dit gereedschap.**

BEWAAR DEZE VOORSCHRIFTEN.

⚠️ WAARSCHUWING: Laat u NIET misleiden door een vals gevoel van comfort en bekendheid met het gereedschap (na veelvuldig gebruik) en neem alle veiligheidsvoorschriften van het betreffende gereedschap altijd strikt in acht.

VERKEERD GEBRUIK of het niet naleven van de veiligheidsvoorschriften in deze gebruiksaanwijzing kan leiden tot ernstige verwondingen.

Belangrijke veiligheidsinstructies voor een accu

1. **Lees alle voorschriften en waarschuwingen op (1) de acculader, (2) de accu, en (3) het product waarvoor de accu wordt gebruikt, alvorens de accu in gebruik te nemen.**
2. **Haal de accu niet uit elkaar en saboteer hem niet.** Dit kan leiden tot brand, buitensporige hitte of een explosie.
3. **Als de gebruikstijd van een opgeladen accu aanzienlijk korter is geworden, moet u het gebruik ervan onmiddellijk stopzetten.** Voortgezet gebruik kan oververhitting, brandwonden en zelfs een ontploffing veroorzaken.
4. **Als elektrolyt in uw ogen is terechtgekomen, spoelt u uw ogen met schoon water en roept u onmiddellijk de hulp van een dokter in.** Elektrolyt in de ogen kan blindheid veroorzaken.

5. **Voorkom kortsluiting van de accu:**
 - (1) Raak de accuklemmen nooit aan met een geleidend materiaal.
 - (2) Bewaar de accu niet in een bak waarin andere metalen voorwerpen zoals spijkers, munten e.d. worden bewaard.
 - (3) Stel de accu niet bloot aan water of regen.
- Kortsluiting van de accu kan oorzaak zijn van een grote stroomafgifte, oververhitting, brandwonden, en zelfs defecten.**
6. **Bewaar en gebruik het gereedschap en de accu niet op plaatsen waar de temperatuur kan oplopen tot 50 °C of hoger.**
7. **Werp de accu nooit in het vuur, ook niet wanneer hij zwaar beschadigd of volledig versleten is. De accu kan ontploffen in het vuur.**
8. **Laat de accu niet vallen, sla er geen spijker in, snij er niet in, gooi er niet mee en stoot hem niet tegen een hard voorwerp. Dergelijke handelingen kunnen leiden tot brand, buitensporige hitte of een explosie.**
9. **Gebruik nooit een beschadigde accu.**
10. **De bijgeleverde lithium-ionbatterijen zijn onderhevig aan de vereisten in de wetgeving omtrent gevaarlijke stoffen.**

Voor commercieel transport en dergelijke door derden en transporteurs moeten speciale vereisten ten aanzien van verpakking en etikettering worden nageleefd. Als voorbereiding van het artikel dat wordt getransporteerd is het noodzakelijk een expert op het gebied van gevaarlijke stoffen te raadplegen. Houd u tevens aan mogelijk strengere nationale regelgeving. Blootliggende contactpunten moeten worden afgedekt met tape en de accu moet zodanig worden verpakt dat deze niet kan bewegen in de verpakking.
11. **Wanneer u de accu wilt weggooien, verwijdert u de accu vanaf het gereedschap en gooit u hem op een veilige manier weg. Volg bij het weggoeien van de accu de plaatselijke voorschriften.**
12. **Gebruik de accu's uitsluitend met de gereedschappen die door Makita zijn aanbevolen. Als de accu's worden aangebracht in niet-compatibele gereedschappen, kan dat leiden tot brand, buitensporige warmteontwikkeling, een explosie of lekkage van elektrolyt.**
13. **Als u het gereedschap gedurende een lange tijd niet denkt te gaan gebruiken, moet de accu vanaf het gereedschap worden verwijderd.**
14. **Tijdens en na gebruik, kan de accu heet worden waardoor brandwonden of koude brandwonden kunnen worden veroorzaakt. Wees voorzichtig bij het hanteren van een hete accu.**
15. **Raak de aansluitpunten van het gereedschap niet onmiddellijk na gebruik aan omdat deze heet genoeg kunnen zijn om brandwonden te veroorzaken.**
16. **Zorg ervoor dat geen steenslag, stof of grond vast komt te zitten op/in de aansluitpunten, openingen en groeven van de accu. Hierdoor kan oververhitting, brand, een barst en een storing in het gereedschap of de accu ontstaan waardoor brandwonden of persoonlijk letsel kunnen ontstaan.**
17. **Behalve indien gebruik van het gereedschap is toegestaan in de buurt van hoogspanningsleidingen, mag u de accu niet gebruiken in de buurt van een hoogspanningsleiding. Dit kan leiden tot een storing of een defect van het gereedschap of de accu.**

18. **Houd de accu uit de buurt van kinderen.**

BEWAAR DEZE INSTRUCTIES.

⚠ LET OP: Gebruik uitsluitend originele Makita accu's. Het gebruik van niet-originele accu's, of accu's die zijn gewijzigd, kan ertoe leiden dat de accu ontploft en brand, persoonlijk letsel en schade veroorzaakt. Ook vervalt daarmee de garantie van Makita op het gereedschap en de lader van Makita.

Tips voor een maximale levensduur van de accu

1. **Laad de accu op voordat hij volledig ontladen is. Stop het gebruik van het gereedschap en laad de accu op telkens wanneer u vaststelt dat het vermogen van het gereedschap is afgenomen.**
2. **Laad een volledig opgeladen accu nooit opnieuw op. Te lang opladen verkort de levensduur van de accu.**
3. **Laad de accu op bij een omgevingstemperatuur tussen 10 °C en 40 °C. Laat een warme accu afkoelen alvorens hem op te laden.**
4. **Als de accu niet wordt gebruikt, verwijderd u hem vanaf het gereedschap of de lader.**
5. **Laad de accu op als u deze gedurende een lange tijd (meer dan zes maanden) niet gaat gebruiken.**

BESCHRIJVING VAN DE FUNCTIES

⚠ LET OP: Zorg altijd dat het gereedschap is uitgeschakeld en de accu ervan is verwijderd alvorens de functies op het gereedschap af te stellen of te controleren.

De accu aanbrengen en verwijderen

⚠ LET OP: Schakel het gereedschap altijd uit voordat u de accu aanbrengt of verwijdert.

⚠ LET OP: Houd het gereedschap en de accu stevig vast tijdens het aanbrengen of verwijderen van de accu. Als u het gereedschap en de accu niet stevig vasthoudt, kunnen deze uit uw handen glippen en het gereedschap of de accu beschadigen, of kan persoonlijk letsel worden veroorzaakt.

Om de accu aan te brengen lijnt u de lip op de accu uit met de groef in de behuizing en duwt u de accu op zijn plaats. Steek de accu zo ver mogelijk in het gereedschap tot u een klikgeluid hoort. Wanneer het rode deel zichtbaar is, zoals aangegeven in de afbeelding, is de accu niet geheel vergrendeld.

Om de accu te verwijderen verschuift u de knop aan de voorkant van de accu en schuift u tegelijkertijd de accu uit het gereedschap.

► Fig.1: 1. Rood deel 2. Knop 3. Accu

⚠ LET OP: Breng de accu altijd helemaal aan totdat het rode deel niet meer zichtbaar is. Als u dit niet doet, kan de accu per ongeluk uit het gereedschap vallen en u of anderen in uw omgeving verwonden.

⚠ LET OP: Breng de accu niet met kracht aan. Als de accu niet gemakkelijk in het gereedschap kan worden geschoven, wordt deze niet goed aangebracht.

Gereedschap-/accubeveiligingssysteem

Het gereedschap is voorzien van een gereedschap-/accubeveiligingssysteem. Dit systeem schakelt automatisch de voeding naar de motor uit om de levensduur van het gereedschap en de accu te verlengen. Het gereedschap kan tijdens het gebruik automatisch stoppen als het gereedschap of de accu aan één van de volgende omstandigheden wordt blootgesteld:

Overbelastingsbeveiliging

Wanneer het gereedschap/de accu wordt bediend op een manier waarop een abnormaal hoge stroomsterkte wordt getrokken, stopt het gereedschap automatisch. Wanneer dat gebeurt, schakelt u het gereedschap uit en stopt u de toepassing die ertoe leidde dat het gereedschap oververhit raakte. Schakel vervolgens het gereedschap in om het weer te starten.

Oververhittingsbeveiliging

Wanneer het gereedschap/de accu oververhit is, stopt het gereedschap automatisch. Laat in deze situatie het gereedschap/de accu afkoelen voordat u het gereedschap weer inschakelt.

Beveiliging tegen te ver ontladen

Als de acculading onvoldoende is, stopt het gereedschap automatisch. In dit geval verwijdert u de accu vanaf het gereedschap en laadt u de accu op.

Beveiliging tegen andere oorzaken

Het beveiligingssysteem is ook ontworpen voor andere oorzaken die het gereedschap kunnen beschadigen, en zorgt ervoor dat het gereedschap automatisch stopt. Voer alle volgende stappen uit om de oorzaken op te heffen, wanneer het gereedschap tijdelijk is onderbroken of tijdens het gebruik is gestopt.

1. Schakel het gereedschap uit en schakel het daarna weer in om het opnieuw te starten.
2. Laad de accu(s) op of vervang hem/ze door (een) opgeladen accu(s).
3. Laat het gereedschap en de accu(s) afkoelen.

Als geen verbetering optreedt nadat het beveiligingssysteem is gereset, neemt u contact op met uw lokale Makita-servicecentrum.

Waarschuwinglampje

Het indicatorlampje van de knop voor de duw-aan-draaistand waarschuwt door rood te knipperen wanneer het gereedschap onder de volgende bedrijfsomstandigheden werkt.

► **Fig.2:** 1. Indicatorlampje

Status van lampje	Oorzaak	Oplossing
Knippert snel (interval van een derde seconde)	Acculading laag	Laad de accu zo snel mogelijk op.
Knippert langzaam (interval van een seconde)	Oververhit	Laat het gereedschap eerst afkoelen alvorens het weer in te schakelen.

OPMERKING: Een waarschuwing wegens overmatig opladen kan worden gegeven afhankelijk van de accustatus en bedrijfsomstandigheden.

De resterende acculading controleren

Alleen voor accu's met indicatorlampjes

Druk op de testknop op de accu om de resterende acculading te zien. De indicatorlampjes branden gedurende enkele seconden.

► **Fig.3:** 1. Indicatorlampjes 2. Testknop

Indicatorlampjes			Resterende acculading
Brandt	Uit	Knippert	
■ ■ ■ ■			75% tot 100%
■ ■ ■ □			50% tot 75%
■ ■ □ □			25% tot 50%
■ □ □ □			0% tot 25%
▩ □ □ □			Laad de accu op.
■ ■ □ □			Er kan een storing zijn opgetreden in de accu.
□ □ ■ ■			

OPMERKING: Afhankelijk van de gebruiksomstandigheden en de omgevingstemperatuur, is het mogelijk dat de aangegeven acculading verschilt van de werkelijke acculading.

OPMERKING: Het eerste (meest linker) indicatorlampje knippert wanneer het accubeveiligingssysteem in werking is getreden.

Instelling voor gewenste schroeflengte

Voor de modellen DFR452 en DFR453

Het gereedschap heeft instellingen voor 4 vooraf bepaalde schroeflengten. Druk de knoppen op het bovenoppervlak van de aanslagkap in en schuif de aanslagkap in en uit zodat het cijfer van de gewenste schroeflengte (vermeld op het label) zichtbaar wordt in het afleesvenster. Raadpleeg de onderstaande tabel voor informatie over de cijfers toegekend aan uw gewenste schroeflengten.

- **Fig.4:** 1. Aanslagkap 2. Knoppen 3. Label
4. Afleesvenster

Cijfers vermeld op het label	Bereik van de schroeflengte
20	20 mm (13/16")
25	25 mm - 28 mm (1" - 1-1/8")
32	28 mm - 35 mm (1-1/8" - 1-3/8")
41	35 mm - 41 mm (1-3/8" - 1-5/8")

Voor de modellen DFR551 en DFR552

Het gereedschap heeft instellingen voor 7 vooraf bepaalde schroeflengten. Druk de knoppen op het bovenoppervlak van de aanslagkap in en schuif de aanslagkap in en uit zodat het cijfer van de gewenste schroeflengte (vermeld op het label) zichtbaar wordt in het afleesvenster. Raadpleeg de onderstaande tabel voor informatie over de cijfers toegekend aan uw gewenste schroeflengten.

- **Fig.5:** 1. Aanslagkap 2. Knoppen 3. Label
4. Afleesvenster

Cijfers vermeld op het label	Bereik van de schroeflengte
25	25 mm (1")
30	25 mm - 30 mm (1" - 1-3/16")
35	30 mm - 35 mm (1-3/16" - 1-3/8")
40	35 mm - 40 mm (1-3/8" - 1-9/16")
45	40 mm - 45 mm (1-9/16" - 1-3/4")
50	45 mm - 50 mm (1-3/4" - 2")
55	50 mm - 55 mm (2" - 2-3/16")

De schroefdiepte instellen

Druk de voorkant van de aanslagkap in en houd de toevoerdoos zo ver mogelijk in de behuizing. Terwijl u hem in die stand houdt, draait u het stelwiel zodat het schroefbit ongeveer 6 mm uit de voorkant van de aanslagkap komt.

Draai een testschroef erin. Als de schroefkop boven het werkstukoppervlak uit steekt, draait u het stelwiel in de richting A. Als de schroefkop onder het werkstukoppervlak ligt, draait u het stelwiel in de richting B.

- **Fig.6:** 1. Ong. 6 mm 2. Aanslagkap 3. Toevoerdoos
4. Behuizing 5. Stelwiel

In- en uitschakelen

⚠WAARSCHUWING: Alvorens de accu in het gereedschap te plaatsen, moet u altijd controle- ren of de trekkerschakelaar goed werkt en bij het loslaten terugkeert naar de stand "OFF".

Om het gereedschap te starten, knijpt u de trekkerschakelaar in. Hoe harder u de trekkerschakelaar inknijpt, hoe hoger het toerental van het gereedschap. Laat de trekkerschakelaar los om te stoppen.

Om het gereedschap continu te laten werken, knijpt u eerst de trekkerschakelaar in, drukt u daarna de vergrendelknop in, en laat u tenslotte de trekker los. Om vanuit de vergrendelde stand het gereedschap te stoppen, knijpt u de trekkerschakelaar helemaal in en laat u deze vervolgens weer los.

- **Fig.7:** 1. Trekkerschakelaar 2. Vergrendelknop

De omkeerschakelaar bedienen

⚠LET OP: Controleer altijd de draairichting alvorens het gereedschap te starten.

⚠LET OP: Verander de stand van de omkeerschakelaar alleen nadat het gereedschap volledig tot stilstand is gekomen. Als u de draairichting verandert terwijl het gereedschap nog draait, kan het gereedschap beschadigd raken.

⚠LET OP: Zet de omkeerschakelaar altijd in de neutrale stand wanneer u het gereedschap niet gebruikt.

Dit gereedschap heeft een omkeerschakelaar voor het veranderen van de draairichting. Druk de omkeerschakelaar in vanaf kant A voor de draairichting rechtsom, of vanaf kant B voor de draairichting linksom.

Wanneer de omkeerschakelaar in de neutrale stand staat, kan de trekkerschakelaar niet worden ingeknepen.

- **Fig.8:** 1. Omkeerschakelaar

Duw-aandraaistand

In de duw-aandraaistand draait het schroefbit alleen door druk uit te oefenen met de aanslagkap op het werkstukoppervlak zodat het gereedschap de stroom naar de motor kan uitschakelen wanneer niet wordt geschroefd om acculading te besparen.

Om de duw-aandraaistand in te schakelen, knijpt u de trekkerschakelaar licht in en laat u die los om direct daarna de functiekeuzeknop in te drukken. Het indicatorlampje van de knop voor de duw-aandraaistand gaat branden.

- **Fig.9:** 1. Functiekeuzeknop 2. Indicatorlampje

OPMERKING: De duw-aandraaistand wordt automatisch uitgeschakeld na acht uur met ingeknepen en vergrendelde trekkerschakelaar zonder verdere bediening van de schakelaar. Om het gereedschap weer te starten, knijpt u de trekkerschakelaar helemaal in om de vergrendelknop te ontgrendelen, en knijpt u de trekker opnieuw in.

Beveiliging tegen onopzettelijk herstarten

Zelfs wanneer u de accu aanbrengt terwijl de trek-schakelaar ingeknepen wordt gehouden, start het gereedschap niet.

Om het gereedschap te kunnen starten, laat u eerst de trek-schakelaar los en knijpt u vervolgens de trek-schakelaar in.

MONTAGE

⚠ALLET OP: Zorg altijd dat het gereedschap is uitgeschakeld en de accu ervan is verwijderd alvorens enig werk aan het gereedschap uit te voeren.

Het schroefbit aanbrengen en verwijderen

⚠ALLET OP: Wees voorzichtig dat u de scherpe randen van de schroeven niet aanraakt terwijl u de componenten en hulpstukken monteert.

⚠ALLET OP: Hanteer de componenten en hulpstukken voorzichtig. Verzeker u er altijd van de accessoires en het hoofdeel van hulpstukken stevig vast te houden tijdens het aanbrengen en verwijderen. Anders kunnen de accessoires en hulpstukken uit uw handen glijpen en vallen.

⚠ALLET OP: Houd de behuizing vast tijdens het aanbrengen en verwijderen van hulpstukken.

⚠ALLET OP: Schakel het gereedschap altijd uit en verwijder de accu wanneer u het bit verwisselt.

Het schroefbit aanbrengen

1. Om een schroefbit aan te brengen, houdt u de as in het tandwielhuis gedrukt en steekt u het schroefbit zo ver mogelijk in het gat van de as. Laat daarna de as los om het schroefbit te vergrendelen.

► Fig.10: 1. Schroefbit 2. As 3. Tandwielhuis

2. Duw de behuizing in het tandwielhuis terwijl u het hoofdeel van de behuizing stevig vasthoudt totdat de ontgrendelknoppen aan beide zijanten van de behuizing met een klinkgeluid op hun plaats vastklikken.

► Fig.11: 1. Behuizing 2. Ontgrendelknoppen

Het schroefbit verwijderen

1. Houd de ontgrendelknoppen aan elke kant van de behuizing ingedrukt en trek vervolgens de behuizing eraf.

► Fig.12: 1. Ontgrendelknoppen 2. Behuizing

2. Om het schroefbit te verwijderen, houdt u de as in het tandwielhuis gedrukt en trekt u het schroefbit eraf.

► Fig.13: 1. Schroefbit 2. As 3. Tandwielhuis

Een nieuwe schroefband aanbrengen

⚠ALLET OP: Schakel het gereedschap altijd uit en verwijder de accu wanneer u de schroefband afsnijdt.

Steek een schroefband in de schroefbandgeleider op de behuizing en steek hem daarna door de schroeflaadgeleider in de toevoerdoos.

► Fig.14: 1. Schroefband 2. Schroefbandgeleider
3. Behuizing 4. Schroeflaadgeleider
5. Toevoerdoos

KENNISGEVING: Zorg ervoor dat de eerste schroef in de tweede rij naast de indraaipositie komt te staan.

► Fig.15: 1. Eerste schroef 2. Indraaipositie

De schroefband verwijderen

⚠ALLET OP: Verwijder altijd de schroefband voordat u het hulpstuk verwijdert.

Om de schroefband te verwijderen, trekt u deze omhoog uit de toevoerdoos.

► Fig.16

De schroefband kan omlaag uit de toevoerdoos worden getrokken terwijl de omkeerknop op de toevoerdoos ingedrukt wordt gehouden.

► Fig.17: 1. Omkeerknop 2. Toevoerdoos

De haak aanbrengen

⚠WAARSCHUWING: Gebruik de opgang-/bevestigingsmiddelen alleen waarvoor ze bedoeld zijn, d.w.z. ophangen aan een gereedschapsgordel tussen werkzaamheden of tijdens pauzes.

⚠WAARSCHUWING: Wees voorzichtig dat de haak niet overbelast wordt aangezien een te hoge kracht of onregelmatige overbelasting kan leiden tot beschadiging van het gereedschap met persoonlijk letsel tot gevolg.

⚠ALLET OP: Als u de haak aanbrengt, bevestigt u deze altijd stevig met de schroef. Als u dit niet doet, kan de haak losraken en tot persoonlijk letsel leiden.

⚠ALLET OP: Verzeker u ervan dat het gereedschap veilig hangt voordat u het loslaat. Door onzorgvuldig of ongebalanceerd ophangen kan het gereedschap eraf vallen en persoonlijk letsel worden veroorzaakt.

► Fig.18: 1. Gleuf 2. Haak 3. Schroef

De haak is handig om het gereedschap tijdelijk op te hangen. De haak kan aan iedere zijkant van het gereedschap worden bevestigd. Om de haak te bevestigen, steekt u deze in een gleuf op een zijkant en zet u hem vast met de schroef. Om de haak eraf te halen, draait u de schroef los en haalt u de haak eraf.

Het gat gebruiken

⚠ WAARSCHUWING: Gebruik het ophanggat nooit voor iets waar het niet voor bedoeld is, bijvoorbeeld om het gereedschap mee vast te binden op een hoge plaats. Stuikdruk in een zwaar belast gat kan het gat beschadigen, waardoor letsel kan ontstaan bij u of mensen rondom of onder u.

Gebruik het ophanggat achteraan de onderkant van het gereedschap om het gereedschap aan een muur te hangen met behulp van een ophangkoord of soortgelijk touw.

► Fig.19: 1. Ophanggat

BEDIENING

Indraaibediening

KENNISGEVING: Controleer altijd het schroefbit zorgvuldig op slijtage alvorens het te gebruiken. Vervang een gesleten schroefbit omdat dit anders kan leiden tot slechte schroefprestaties.

KENNISGEVING: Houd het gereedschap altijd haaks op het werkstukoppervlak waarin geschroefd wordt. Als u hem onder een hoek houdt, kan de schroefkop worden beschadigd en het schroefbit slijten. Dit kan tevens leiden tot slechte schroefprestaties.

KENNISGEVING: Houd het gereedschap altijd stevig tegen het werkstukoppervlak waarin geschroefd wordt totdat het schroeven klaar is. Als u dit niet doet, is het mogelijk dat de schroef onvoldoende wordt aangedraaid.

KENNISGEVING: Wees voorzichtig dat u niet een schroef indraait bovenop een reeds ingedraaide schroef.

KENNISGEVING: Bedien het gereedschap niet zonder dat er schroeven in zitten. Hierdoor zal het werkstukoppervlak worden beschadigd.

KENNISGEVING: Breng geen olie of vet aan op het glijoppervlak van de toevoerdoos.

Schakel het gereedschap in door de trekkerschakelaar in te knijpen. Houd het gereedschap altijd haaks op en stevig tegen het werkstukoppervlak waarin geschroefd wordt. Een schroef wordt automatisch in de indraaipositie gebracht en ingedraaid.

► Fig.20

Indraaibediening in de duw-aandraaistand

1. Knijp de trekkerschakelaar licht in en laat hem los. Druk daarna snel op de functiekeuzeknop.

Het indicatorlampje van de knop voor de duw-aandraaistand gaat branden en de duw-aandraaistand is ingeschakeld.

► Fig.21: 1. Functiekeuzeknop 2. Indicatorlampje

2. Knijp eerst de trekkerschakelaar in, druk daarna de vergrendelknop in, en laat tenslotte de trekkerschakelaar los.

► Fig.22: 1. Vergrendelknop 2. Trekkerschakelaar

OPMERKING: Terwijl u de duw-aandraaistand selecteert en de ingeknepen trekker vergrendelt, draait de motor niet onbelast om het acculadingverbruik te minimaliseren.

3. Houd het gereedschap haaks op het werkstukoppervlak waarin wordt geschroefd en oefen voorwaartse druk uit op het gereedschap.

De schroef wordt automatisch in de indraaipositie gebracht en op volle snelheid ingedraaid.

► Fig.23

Schroeven in een hoek

⚠ LET OP: Schroeven op een plaats op minder dan 15 mm van een muur of schroeven met de aanslagkap tegen de muur, kan de schroefkop beschadigen en het schroefbit slijten. Dit kan tevens leiden tot slechte schroefprestaties en een storing van het gereedschap.

Dit gereedschap kan worden gebruikt in een stand op 15 mm afstand van een muur, zoals aangegeven in de afbeelding.

► Fig.24: 1. Muur 2. Aanslagkap 3. 15 mm

Uitdraaibediening

⚠ LET OP: Controleer altijd de draairichting alvorens het gereedschap te starten.

⚠ LET OP: Verander de stand van de omkeerschakelaar alleen nadat het gereedschap volledig tot stilstand is gekomen. Als u de draairichting verandert terwijl het gereedschap nog draait, kan het gereedschap beschadigd raken.

Het is mogelijk om de draairichting van het schroefbit in het gereedschap eenvoudig te veranderen naar rechts (rechtsom) om een schroef in te draaien, of naar links (linksom) om een schroef uit te draaien.

1. Druk de omkeerschakelaar in vanaf kant B voor de draairichting linksom.

► Fig.25: 1. Omkeerschakelaar

2. Houd de ontgrendelknoppen aan elke kant van de behuizing ingedrukt en trek vervolgens de behuizing eraf.

► Fig.26: 1. Ontgrendelknoppen 2. Behuizing

3. Plaats de punt van het schroefbit in de kop van de schroef die u wilt uitdraaien.
4. Houd het gereedschap stevig tegen de schroef gedrukt en knijp de trekkerschakelaar in om te starten.
► **Fig.27:** 1. Schroefbit 2. Schroefkop
3. Trekkerschakelaar
5. Nadat u klaar bent met het gebruik, plaatst u de behuizing terug op het tandwielhuis tot deze op zijn plaats wordt vergrendeld.

ONDERHOUD

⚠ LET OP: Zorg altijd dat het gereedschap is uitgeschakeld en de accu ervan is verwijderd alvorens te beginnen met onderhoud of inspectie.

KENNISGEVING: Gebruik nooit benzine, wasbenzine, thinner, alcohol en dergelijke. Hierdoor kunnen verkleuring, vervormingen en barsten worden veroorzaakt.

Om de VEILIGHEID en BETROUWBAARHEID van het gereedschap te handhaven, dienen alle reparaties, onderhoud of afstellingen te worden uitgevoerd bij een erkend Makita-servicecentrum of de Makita-fabriek, en altijd met gebruik van Makita-vervangingsonderdelen.

Na het gebruik

Veeg met regelmatige intervallen het gereedschap af met een droge doek of een doek die licht bevochtigd is met zeepwater.

OPTIONELE ACCESSOIRES

⚠ LET OP: Deze accessoires of hulpstukken worden aanbevolen voor gebruik met het Makita gereedschap dat in deze gebruiksaanwijzing is beschreven. Bij gebruik van andere accessoires of hulpstukken bestaat het gevaar van persoonlijke letsel. Gebruik de accessoires of hulpstukken uitsluitend voor hun bestemde doel.

Wenst u meer bijzonderheden over deze accessoires, neem dan contact op met het plaatselijke Makita-servicecentrum.

- Gipsplaatschroefband
- Kruiskopbit
- Vierkantbit
- Pozidrivbit
- Behuizing
- Originele Makita accu's en acculaders

OPMERKING: Sommige items op de lijst kunnen zijn inbegrepen in de doos van het gereedschap als standaard toebehoren. Deze kunnen van land tot land verschillen.

ESPECIFICACIONES

Modelo:	DFR452	DFR453	DFR551	DFR552
Banda de tornillos	ø3,5 mm x 20 mm - ø4,2 mm x 41 mm		ø3,5 mm x 25 mm - ø4,2 mm x 55 mm	
Velocidad en vacío	0 - 6.000 min ⁻¹	0 - 4.500 min ⁻¹	0 - 6.000 min ⁻¹	0 - 4.500 min ⁻¹
Longitud total	360 mm		396 mm	
Tensión nominal	18 V CC			
Peso neto	1,9 - 2,2 kg			

- Debido a nuestro continuado programa de investigación y desarrollo, las especificaciones aquí dadas están sujetas a cambios sin previo aviso.
- Las especificaciones pueden ser diferentes de país a país.
- El peso puede variar dependiendo del accesorio(s), incluyendo el cartucho de batería. La combinación menos pesada y la más pesada, de acuerdo con el procedimiento EPTA 01/2014, se muestran en la tabla.

Cartucho de batería y cargador aplicables

Cartucho de batería	BL1815N / BL1820B / BL1830B / BL1840B / BL1850B / BL1860B
Cargador	DC18RC / DC18RD / DC18RE / DC18SD / DC18SE / DC18SF / DC18SH / DC18WC

- Algunos de los cartuchos de batería y cargadores indicados arriba puede que no estén disponibles dependiendo de su región de residencia.

⚠ ADVERTENCIA: Utilice solamente los cartuchos de batería y cargadores listados arriba. La utilización de cualquier otro cartucho de batería y cargador puede ocasionar heridas y/o un incendio.

Uso previsto

La herramienta ha sido prevista para atornillar en madera, metal y plástico.

Ruido

El nivel de ruido A-ponderado típico determinado de acuerdo con la norma EN62841-2-2:

Modelo	Nivel de presión del sonido (L _{pn}) : (dB (A))	Incertidumbre (K) : (dB (A))
DFR452	78	3
DFR453	79	3
DFR551	77	3
DFR552	78	3

El nivel de ruido en situación de trabajo puede exceder 80 dB (A).

NOTA: El valor (o los valores) de emisión de ruido declarado ha sido medido de acuerdo con un método de prueba estándar y se puede utilizar para comparar una herramienta con otra.

NOTA: El valor (o valores) de emisión de ruido declarado también se puede utilizar en una valoración preliminar de exposición.

⚠ ADVERTENCIA: Póngase protectores para oídos.

⚠ ADVERTENCIA: La emisión de ruido durante la utilización real de la herramienta eléctrica puede variar del valor (o los valores) de emisión declarado dependiendo de las formas en las que la herramienta sea utilizada, especialmente qué tipo de pieza de trabajo se procesa.

⚠ ADVERTENCIA: Asegúrese de identificar medidas de seguridad para proteger al operario que estén basadas en una estimación de la exposición en las condiciones reales de utilización (teniendo en cuenta todas las partes del ciclo operativo como las veces cuando la herramienta está apagada y cuando está funcionando en vacío además del tiempo de gatillo).

Vibración

El valor total de la vibración (suma de vectores triaxiales) determinado de acuerdo con la norma EN62841-2-2:

Modo de tarea: esmerilado superficial con empuñadura lateral normal

Modelo	Emisión de vibración (a _h) : (m/s ²)	Incertidumbre (K) : (m/s ²)
DFR452	2,5 m/s ² o menos	1,5 m/s ²
DFR453		
DFR551		
DFR552		

NOTA: El valor (o los valores) total de emisión de vibración declarado ha sido medido de acuerdo con un método de prueba estándar y se puede utilizar para comparar una herramienta con otra.

NOTA: El valor (o los valores) total de emisión de vibración declarado también se puede utilizar en una valoración preliminar de exposición.

⚠ADVERTENCIA: La emisión de vibración durante la utilización real de la herramienta eléctrica puede variar del valor (o los valores) de emisión declarado dependiendo de las formas en las que la herramienta sea utilizada, especialmente qué tipo de pieza de trabajo se procesa.

⚠ADVERTENCIA: Asegúrese de identificar medidas de seguridad para proteger al operario que estén basadas en una estimación de la exposición en las condiciones reales de utilización (teniendo en cuenta todas las partes del ciclo operativo como las veces cuando la herramienta está apagada y cuando está funcionando en vacío además del tiempo de gatillo).

Declaraciones de conformidad

Para países europeos solamente

Las declaraciones de conformidad están incluidas como Anexo A de este manual de instrucciones.

ADVERTENCIAS DE SEGURIDAD

Advertencias de seguridad para herramientas eléctricas en general

⚠ADVERTENCIA Lea todas las advertencias de seguridad, instrucciones, ilustraciones y especificaciones provistas con esta herramienta eléctrica. Si no sigue todas las instrucciones indicadas abajo, podrá resultar en una descarga eléctrica, un incendio y/o heridas graves.

Guarde todas las advertencias e instrucciones para futuras referencias.

El término "herramienta eléctrica" en las advertencias se refiere a su herramienta eléctrica de funcionamiento con conexión a la red eléctrica (con cable) o herramienta eléctrica de funcionamiento a batería (sin cable).

Advertencias de seguridad para el atornillador inalámbrico

1. Cuando realice una operación en la que el fijador pueda entrar en contacto con cableado oculto, sujete la herramienta eléctrica por las superficies de aislamiento aisladas. El contacto del fijador con un cable con corriente hará que la corriente circule por las partes metálicas expuestas de la herramienta eléctrica y podrá soltar una descarga eléctrica al operario.

2. Asegúrese siempre de que tiene suelo firme. Asegúrese de que no haya nadie debajo cuando utilice la herramienta en lugares altos.
3. Sujete la herramienta firmemente.
4. Mantenga las manos alejadas de las partes giratorias.
5. No toque la punta de atornillar o la pieza de trabajo inmediatamente después de la operación; podrán estar muy calientes y quemarle la piel.
6. Sujete siempre la pieza de trabajo en un tornillo de banco o dispositivo de sujeción similar.
7. Asegúrese de que no hay cables eléctricos, tuberías de agua, tuberías de gas, etc., que puedan ocasionar un riesgo si se dañan al utilizar la herramienta.

GUARDE ESTAS INSTRUCCIONES.

⚠ADVERTENCIA: NO deje que la comodidad o familiaridad con el producto (a base de utilizarlo repetidamente) sustituya la estricta observancia de las normas de seguridad para el producto en cuestión.

El MAL USO o el no seguir las normas de seguridad establecidas en este manual de instrucciones podrá ocasionar graves heridas personales.

Instrucciones de seguridad importantes para el cartucho de batería

1. Antes de utilizar el cartucho de batería, lea todas las instrucciones e indicaciones de precaución sobre (1) el cargador de baterías, (2) la batería, y (3) el producto con el que se utiliza la batería.
2. No desensamble ni manipule el cartucho de batería. Podrá resultar en un incendio, calor excesivo, o una explosión.
3. Si el tiempo de uso se acorta demasiado, cese la operación inmediatamente. Podría resultar en un riesgo de recalentamiento, posibles quemaduras e incluso una explosión.
4. Si entra electrólito en sus ojos, aclárelos con agua limpia y acuda a un médico inmediatamente. Existe el riesgo de poder perder la vista.
5. No cortocircuite el cartucho de batería:
 - (1) No toque los terminales con ningún material conductor.
 - (2) Evite guardar el cartucho de batería en un cajón junto con otros objetos metálicos, como clavos, monedas, etc.
 - (3) No exponga el cartucho de batería al agua ni a la lluvia.Un cortocircuito en la batería puede producir una gran circulación de corriente, un recalentamiento, posibles quemaduras e incluso una rotura de la misma.
6. No guarde ni utilice la herramienta y el cartucho de batería en lugares donde la temperatura pueda alcanzar o exceder los 50 °C.

7. **Nunca incinere el cartucho de batería incluso en el caso de que esté dañado seriamente o ya no sirva en absoluto. El cartucho de batería puede explotar si se tira al fuego.**
8. **No clave, corte, aplaste, lance, deje caer el cartucho de batería, ni golpee contra un objeto duro el cartucho de batería.** Tal conducta podrá resultar en un incendio, calor excesivo, o una explosión.
9. **No utilice una batería dañada.**
10. **Las baterías de litio-ion contenidas están sujetas a los requisitos de la Legislación para Materiales Peligrosos.**
Para transportes comerciales, p.ej., por terceras personas y agentes de transportes, se deberán observar requisitos especiales para el empaquetado y etiquetado.
Para la preparación del artículo que se va a enviar, se requiere consultar con un experto en materiales peligrosos. Por favor, observe también la posibilidad de reglamentos nacionales más detallados.
Cubra con cinta aislante o enmascare los contactos expuestos y empaquete la batería de tal manera que no se pueda mover alrededor dentro del embalaje.
11. **Para desechar el cartucho de batería, retírelo de la herramienta y deséchelo en un lugar seguro. Siga los reglamentos locales referentes al desecho de la batería.**
12. **Utilice las baterías solamente con los productos especificados por Makita.** La instalación de las baterías en productos no compatibles puede resultar en un incendio, calor excesivo, explosión, o fuga de electrolito.
13. **Si la herramienta no va a ser utilizada durante un periodo de tiempo largo, la batería deberá ser retirada de la herramienta.**
14. **Durante y después de la utilización, el cartucho de batería podrá acumular calor, lo cual puede ocasionar quemaduras o quemaduras de baja temperatura. Preste atención al manejo de cartuchos de batería calientes.**
15. **No toque el terminal de la herramienta inmediatamente después de utilizar, dado que puede calentarse lo suficiente como para ocasionar quemaduras.**
16. **No permita que virutas, polvo, o tierra se adhieran dentro de los terminales, orificios, y ranuras del cartucho de batería.** Esto podría ocasionar calentamiento, que coja fuego, reviente y un mal funcionamiento de la herramienta o el cartucho de batería, resultando en quemaduras o heridas personales.
17. **A menos que la herramienta pueda utilizarse cerca de cables eléctricos de alta tensión, no utilice el cartucho de batería cerca de cables eléctricos de alta tensión.** Podrá resultar en un mal funcionamiento o rotura de la herramienta o el cartucho de batería.
18. **Mantenga la batería alejada de los niños.**

GUARDE ESTAS INSTRUCCIONES.

⚠PRECAUCIÓN: Utilice solamente baterías genuinas de Makita. La utilización de baterías no genuinas de Makita, o baterías que han sido alteradas, puede resultar en una explosión de la batería ocasionando incendios, heridas personales y daños. También anulará la garantía de Makita para la herramienta y el cargador de Makita.

Consejos para alargar al máximo la vida de servicio de la batería

1. **Cargue el cartucho de batería antes de que se descargue completamente. Detenga siempre la operación y cargue el cartucho de batería cuando note menos potencia en la herramienta.**
2. **No cargue nunca un cartucho de batería que esté completamente cargado. La sobrecarga acortará la vida de servicio de la batería.**
3. **Cargue el cartucho de batería a temperatura ambiente de 10 °C - 40 °C. Si un cartucho de batería está caliente, déjelo enfriar antes de cargarlo.**
4. **Cuando no esté utilizando el cartucho de batería, retírelo de la herramienta o del cargador.**
5. **Cargue el cartucho de batería si no lo utiliza durante un periodo de tiempo prolongado (más de seis meses).**

DESCRIPCIÓN DEL FUNCIONAMIENTO

⚠PRECAUCIÓN: Asegúrese siempre de que la herramienta está apagada y el cartucho de batería retirado antes de realizar cualquier ajuste o comprobación en la herramienta.

Instalación o extracción del cartucho de batería

⚠PRECAUCIÓN: Apague siempre la herramienta antes de instalar o retirar el cartucho de batería.

⚠PRECAUCIÓN: Sujete la herramienta y el cartucho de batería firmemente cuando instale o retire el cartucho de batería. Si no sujeta la herramienta y el cartucho de batería firmemente podrán caérsele de las manos y resultar en daños a la herramienta y al cartucho de batería y heridas personales.

Para instalar el cartucho de batería, alinee la lengüeta del cartucho de batería con la ranura del alojamiento y deslícelo al interior hasta encajarlo en su sitio. Insértelo por completo hasta que se bloquee en su sitio con un pequeño chasquido. Si puede ver el indicador rojo como se muestra en la figura, no estará bloqueado completamente.

Para retirar el cartucho de batería, deslícelo de la herramienta mientras desliza el botón de la parte frontal del cartucho.

► Fig.1: 1. Indicador rojo 2. Botón 3. Cartucho de batería

⚠️ PRECAUCIÓN: Instale siempre el cartucho de batería completamente hasta que no pueda verse el indicador rojo. En caso contrario, podrá caerse accidentalmente de la herramienta y ocasionarle heridas a usted o a alguien que esté cerca de usted.

⚠️ PRECAUCIÓN: No instale el cartucho de batería empleando fuerza. Si el cartucho no se desliza al interior fácilmente, será porque no está siendo insertado correctamente.

Sistema de protección de la herramienta / batería

La herramienta está equipada con un sistema de protección de la herramienta/batería. Este sistema corta automáticamente la alimentación al motor para alargar la vida de servicio de la herramienta y la batería. La herramienta se detendrá automáticamente durante la operación si la herramienta o la batería es puesta en una de las condiciones siguientes:

Protección contra sobrecarga

Cuando la herramienta/batería sea operada de una manera que le haga absorber una corriente anormalmente alta, la herramienta se detendrá automáticamente. En esta situación, apague la herramienta y detenga la tarea que ocasiona la sobrecarga de la herramienta. Después encienda la herramienta para volver a empezar.

Protección contra el recalentamiento

Cuando la herramienta/batería se recalienta, la herramienta se detiene automáticamente. En esta situación, deje que la herramienta/batería se enfríe antes de encender la herramienta otra vez.

Protección contra descarga excesiva

Cuando la capacidad de batería no es suficiente, la herramienta se detiene automáticamente. En este caso, retire la batería de la herramienta y cargue la batería.

Protecciones contra otras causas

También hay un sistema de protección diseñado para otras causas que pueden dañar la herramienta y permite a la herramienta detenerse automáticamente. Realice todos los pasos siguientes para despejar las causas, cuando la herramienta haya sido llevada a una pausa temporal o a una parada en la operación.

1. Apague la herramienta, y después enciéndala otra vez para volver a empezar.
2. Cargue la(s) batería(s) o reemplácela(s) con una batería(s) recargada(s).
3. Deje que la herramienta y la(s) batería(s) se enfríen.

Si no se nota una mejora al restablecer el sistema de protección, póngase en contacto con el centro de servicio Makita local.

Indicador de alerta

La lámpara de indicación del selector de modo de accionamiento por presión emite una alerta con luces parpadeantes rojas cuando la herramienta funciona en las siguientes condiciones de operación.

► **Fig.2:** 1. Lámpara de indicación

Estado de la lámpara	Causas	Remedios
Parpadeo rápido (intervalos de un tercio de segundo aprox.)	La batería se está agotando	Cargue la batería en cuanto pueda.
Parpadeo retardado (intervalos de un segundo aprox.)	Recalentada	Deje que la herramienta se enfríe antes de volver a encenderla.

















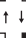

NOTA: Puede que aparezca una alerta de descarga excesiva dependiendo del estado de la batería y las condiciones de operación.

Modo de indicar la capacidad de batería restante

Solamente para cartuchos de batería con el indicador

Presione el botón de comprobación en el cartucho de batería para indicar la capacidad de batería restante. Las lámparas indicadoras se iluminan durante unos pocos segundos.

► **Fig.3:** 1. Lámparas indicadoras 2. Botón de comprobación

Lámparas indicadoras			Capacidad restante
 Iluminada	 Apagada	 Parpadeando	
			75% a 100%
			50% a 75%
			25% a 50%
			0% a 25%
			Cargue la batería.
			Puede que la batería no esté funcionando bien.
			

NOTA: Dependiendo de las condiciones de utilización y de la temperatura ambiente, la indicación podrá variar ligeramente de la capacidad real.

NOTA: La primera lámpara indicadora (extremo izquierdo) parpadeará cuando el sistema de protección de la batería esté funcionando.

Ajuste para las longitudes de tornillo deseadas

Para el modelo DFR452/DFR453

La herramienta ofrece 4 ajustes de longitud de tornillo con bloqueo positivo. Deslice la base de tope hacia afuera y hacia adentro mientras presiona hacia abajo las palancas de la superficie superior de la base de tope de manera que el número de la longitud de tornillo deseada (indicada en la etiqueta) aparezca en la ventanilla de lectura. Consulte la tabla siguiente para ver detalles sobre los números asignados a las longitudes de tornillo deseadas.

- **Fig.4:** 1. Base de tope 2. Palanca 3. Etiqueta 4. Ventanilla de lectura

Números indicados en la etiqueta	Gamas de longitud del tornillo
20	20 mm (13/16")
25	25 mm - 28 mm (1" - 1-1/8")
32	28 mm - 35 mm (1-1/8" - 1-3/8")
41	35 mm - 41 mm (1-3/8" - 1-5/8")

Para el modelo DFR551/DFR552

La herramienta ofrece 7 ajustes de longitud de tornillo con bloqueo positivo. Deslice la base de tope hacia afuera y hacia adentro mientras presiona hacia abajo las palancas de la superficie superior de la base de tope de manera que el número de la longitud de tornillo deseada (indicada en la etiqueta) aparezca en la ventanilla de lectura. Consulte la tabla siguiente para ver detalles sobre los números asignados a las longitudes de tornillo deseadas.

- **Fig.5:** 1. Base de tope 2. Palanca 3. Etiqueta 4. Ventanilla de lectura

Números indicados en la etiqueta	Gamas de longitud del tornillo
25	25 mm (1")
30	25 mm - 30 mm (1" - 1-3/16")
35	30 mm - 35 mm (1-3/16" - 1-3/8")
40	35 mm - 40 mm (1-3/8" - 1-9/16")
45	40 mm - 45 mm (1-9/16" - 1-3/4")
50	45 mm - 50 mm (1-3/4" - 2")
55	50 mm - 55 mm (2" - 2-3/16")

Ajuste de las profundidades de atornillado

Presione la cara frontal de la base de tope y mantenga el cajón alimentador metido a tope en la carcasa. Mientras lo mantiene en esa posición, gire el dial de ajuste de manera que la punta de la punta de atornillar sobresalga aproximadamente 6 mm de la cara frontal de la base de tope.

Atornille un tornillo de prueba. Si la cabeza del tornillo queda por encima de la superficie de la pieza de trabajo, gire el dial de ajuste en la dirección A; si la cabeza del tornillo queda por debajo de la superficie, gire el dial de ajuste en la dirección B.

- **Fig.6:** 1. Aprox. 6 mm 2. Base de tope 3. Cajón alimentador 4. Carcasa 5. Dial de ajuste

Acción del interruptor

⚠ADVERTENCIA: Antes de insertar el cartucho de batería en la herramienta, compruebe siempre para cerciorarse de que el gatillo interruptor se acciona debidamente y que vuelve a la posición "OFF" cuando lo suelta.

Para poner en marcha la herramienta, apriete el gatillo interruptor. La velocidad de la herramienta incrementa aumentando la presión en el gatillo interruptor. Suelte el gatillo interruptor para parar.

Para una operación continua, apriete el gatillo interruptor, presione hacia dentro el botón de bloqueo y después suelte el gatillo. Para parar la herramienta desde la posición bloqueada, apriete el gatillo interruptor a tope, y después suéltelo.

- **Fig.7:** 1. Interruptor disparador 2. Botón de bloqueo

Accionamiento del interruptor inversor

⚠PRECAUCIÓN: Confirme siempre la dirección de giro antes de la operación.

⚠PRECAUCIÓN: Utilice el interruptor inversor solamente después de que la herramienta se haya parado completamente. Si cambia la dirección de giro antes de que la herramienta se haya parado podrá dañarla.

⚠PRECAUCIÓN: Cuando no esté utilizando la herramienta, ponga siempre la palanca del interruptor inversor en la posición neutral.

Esta herramienta tiene un interruptor inversor para cambiar la dirección de giro. Presione hacia dentro la palanca del interruptor inversor del lado A para giro hacia la derecha o del lado B para giro hacia la izquierda.

Cuando la palanca del interruptor inversor está en la posición neutral, el gatillo interruptor no se puede apretar.

- **Fig.8:** 1. Palanca del interruptor de inversión

Modo de accionamiento por presión

En modo de accionamiento por presión, la punta de atornillar solo gira al aplicar presión sobre la superficie de atornillado con la base de tope, permitiendo a la herramienta cortar la alimentación al motor para ahorrar energía de la batería en reposo.

Para seleccionar el modo de accionamiento por presión, apriete el gatillo interruptor ligeramente, después suéltelo y rápidamente presione el botón de selección de modo. Entonces la lámpara de indicación del selector de modo de accionamiento por presión se iluminará.

- **Fig.9:** 1. Botón de selección de modo 2. Lámpara de indicación

NOTA: El modo de accionamiento por presión se desactivará automáticamente después de ocho horas con el gatillo interruptor bloqueado y sin realizar otra operación del interruptor. Para volver a poner en marcha la herramienta, apriete el gatillo interruptor a tope para liberar el botón de bloqueo, y apriete el gatillo otra vez.

Función de prevención de reinicio de puesta en marcha accidental

Aunque instale el cartucho de batería mientras aprieta el gatillo interruptor, la herramienta no se pondrá en marcha. Para poner en marcha la herramienta, primero suelte el gatillo interruptor, y después apriete el gatillo interruptor.

MONTAJE

PRECAUCIÓN: Asegúrese siempre de que la herramienta está apagada y el cartucho de batería retirado antes de realizar cualquier trabajo en la herramienta.

Instalación y desmontaje de la punta de atornillar

PRECAUCIÓN: Tenga cuidado de no tocar los bordes cortantes de los tornillos mientras vuelve a montar los componentes y aditamentos.

PRECAUCIÓN: Maneje los accesorios y aditamentos con cuidado. Asegúrese siempre de sujetar el cuerpo de los accesorios y aditamentos firmemente cuando los instale y desinstale. De lo contrario, los accesorios y aditamentos se le podrán escurrir de las manos y caerse.

PRECAUCIÓN: Sujete la carcasa cuando instale y desinstale aditamentos.

PRECAUCIÓN: Siempre apague la herramienta y retire el cartucho de batería cuando cambie la punta de atornillar.

Instalación de la punta de atornillar

1. Para instalar la punta de atornillar, colóquela dentro del agujero del mandril a tope mientras mantiene presionado el mandril hacia el interior de la caja de engranajes. Después suelte el mandril para sujetar la punta de atornillar.

► **Fig.10:** 1. Punta de atornillar 2. Mandril 3. Caja de engranajes

2. Empuje la carcasa hacia dentro de la caja de engranajes sujetando firmemente el cuerpo de la carcasa hasta que los botones de liberación de cada costado de la carcasa se bloqueen en su sitio con un pequeño chasquido.

► **Fig.11:** 1. Carcasa 2. Botones de liberación

Desinstalación de la punta de atornillar

1. Mantenga presionados los botones de liberación de cada costado de la carcasa, y después desprendla la carcasa.

► **Fig.12:** 1. Botones de liberación 2. Carcasa

2. Para retirar la punta de atornillar, extráigala mientras mantiene presionado el mandril hacia el interior de la caja de engranajes.

► **Fig.13:** 1. Punta de atornillar 2. Mandril 3. Caja de engranajes

Instalación de la banda de tornillos

PRECAUCIÓN: Siempre apague la herramienta y retire el cartucho de batería cuando corte la banda de tornillos.

Inserte una banda de tornillos a través de la guía para banda de tornillos de la carcasa, y después insértela a través de la guía para carga de tornillos del cajón alimentador.

► **Fig.14:** 1. Banda de tornillos 2. Guía para banda de tornillos 3. Carcasa 4. Guía para carga de tornillos 5. Cajón alimentador

AVISO: Asegúrese de poner el primer tornillo de la segunda hilera junto a la posición de atornillado.

► **Fig.15:** 1. Primer tornillo 2. Posición de atornillado

Desinstalación de la banda de tornillos

PRECAUCIÓN: Retire siempre la banda de tornillos antes de retirar el aditamento.

Para retirar la banda de tornillos, sáquela del cajón alimentador tirando de ella hacia arriba.

► **Fig.16**

La banda de tornillos se puede sacar del cajón alimentador tirando de ella hacia abajo mientras presiona el botón de inversión del cajón alimentador.

► **Fig.17:** 1. Botón de inversión 2. Cajón alimentador

Instalación del gancho

ADVERTENCIA: Utilice las partes para colgar/montar solo para el propósito que han sido pensadas, por ejemplo, colgar la herramienta de una correa para herramienta entre diferentes trabajos o intervalos de trabajo.

ADVERTENCIA: Asegúrese de no sobrecargar el gancho, porque una fuerza excesiva o sobrecarga irregular puede ocasionar daños a la herramienta resultando en heridas personales.

PRECAUCIÓN: Cuando instale el gancho, sujételo siempre firmemente con el tornillo. Si no, el gancho podrá caerse de la herramienta y resultar en heridas personales.

PRECAUCIÓN: Asegúrese de colgar la herramienta firmemente antes de soltarla de la mano. Un enganche insuficiente o desequilibrado puede ocasionar que se caiga y podría ocasionarle heridas.

► **Fig.18:** 1. Ranura 2. Gancho 3. Tornillo

El gancho resulta útil para colgar temporalmente la herramienta. Se puede instalar en cualquiera de los costados de la herramienta. Para instalar el gancho, insértelo en una ranura en cualquiera de los costados de la carcasa de la herramienta y después sujételo con un tornillo. Para retirarlo, afloje el tornillo y después sáquelo.

Utilización del agujero

⚠ ADVERTENCIA: No utilice nunca el agujero para colgar para propósitos distintos de los previstos, por ejemplo, para amarrar la herramienta en un lugar alto. La presión de contacto en un agujero muy cargado puede ocasionar daños al agujero, resultando en heridas a usted o a gente alrededor o debajo de usted.

Utilice el agujero para colgar de la parte inferior traseña de la herramienta para colgar la herramienta en una pared utilizando un cordón para colgar o cordeles similares.

► **Fig.19:** 1. Agujero para colgar

FUNCIONAMIENTO

Operación de atornillado

AVISO: Compruebe siempre la punta de atornillar con cuidado para ver si hay desgaste antes de las operaciones de atornillado. Reemplace una punta de atornillar deteriorada o podrá resultar en un apriete deficiente.

AVISO: Sujete siempre la herramienta en ángulo recto contra la superficie de atornillado. Si la sujeta en ángulo podrá dañar las cabezas de los tornillos y ocasionar el desgaste de la punta de atornillar. Esto también puede dar lugar a un apretado deficiente.

AVISO: Mantenga siempre la herramienta firmemente contra la superficie de trabajo hasta haber completado el atornillado. Si no lo hace así podrá ocasionar un apretado insuficiente de los tornillos.

AVISO: Tenga cuidado de no atornillar un tornillo encima de otro tornillo ya atornillado.

AVISO: No utilice la herramienta sin tornillos. Dañará la superficie de atornillado.

AVISO: No aplique aceite ni grasa a la superficie de deslizamiento del cajón alimentador.

Encienda la herramienta apretando el gatillo interruptor. Sujete la herramienta en ángulo recto y firmemente contra la superficie de atornillado. Un tornillo será desplazado automáticamente hasta la posición de atornillado y se atornillará.

► **Fig.20**

Operación de atornillado en modo de accionamiento por presión

1. Apriete el gatillo interruptor ligeramente y suéltelo. Después rápidamente presione el botón de selección de modo.

La lámpara de indicación del selector de modo de accionamiento por presión se iluminará, y el modo de accionamiento por presión estará activado.

► **Fig.21:** 1. Botón de selección de modo 2. Lámpara de indicación

2. Presione hacia dentro el botón de bloqueo mientras aprieta el gatillo interruptor, y después suelte el gatillo interruptor.

► **Fig.22:** 1. Botón de bloqueo 2. Gatillo interruptor

NOTA: Mientras se selecciona el modo de accionamiento por presión y se bloquea el gatillo, el motor no gira estando en vacío para minimizar el consumo de energía.

3. Sujete la herramienta en ángulo recto contra la superficie de atornillado y aplique presión hacia adelante a la herramienta.

El tornillo será desplazado automáticamente hasta la posición de atornillado y se atornillará a plena velocidad.

► **Fig.23**

Atornillado en esquinas

⚠ PRECAUCIÓN: Atornillar en una posición situada a menos de 15 mm de la pared o atornillar con la base de tope en contacto con la pared podrá dañar las cabezas de los tornillos y ocasionar el desgaste de la punta de atornillar. Esto también podrá dar lugar a un apretado deficiente de los tornillos y a un mal funcionamiento de la herramienta.

Esta herramienta se puede utilizar para atornillar en una posición alejada 15 mm de la pared como se muestra en la figura.

► **Fig.24:** 1. Pared 2. Base de tope 3. 15 mm

Operación de desatornillado

⚠ PRECAUCIÓN: Confirme siempre la dirección de giro antes de la operación.

⚠ PRECAUCIÓN: Utilice el interruptor inversor solamente después de que la herramienta se haya parado completamente. Si cambia la dirección de giro antes de que la herramienta se haya parado podrá dañarla.

La herramienta le permite cambiar la dirección del giro de la punta de atornillar fácilmente, bien hacia la derecha (sentido horario) para apretar un tornillo o hacia la izquierda (sentido antihorario) para aflojar un tornillo.

1. Presione hacia dentro la palanca del interruptor inversor desde el lado B para giro hacia la izquierda.

► **Fig.25:** 1. Palanca del interruptor inversor

2. Mantenga presionados los botones de liberación de cada costado de la carcasa, y después desprenda la carcasa.

► **Fig.26:** 1. Botones de liberación 2. Carcasa

3. Coloque la punta de la punta de atornillar dentro de la cabeza del tornillo que va a aflojar.
4. Sujete la herramienta firmemente contra el tornillo y apriete el gatillo interruptor para ponerla en marcha.
► **Fig.27:** 1. Punta de atornillar 2. Cabeza de tornillo
3. Gatillo interruptor
5. Vuelva a colocar la carcasa en la caja de engranajes hasta que se bloquee en su sitio después de terminar la operación.

MANTENIMIENTO

⚠PRECAUCIÓN: Asegúrese siempre de que la herramienta está apagada y de que el cartucho de batería está retirado antes de intentar hacer una inspección o mantenimiento.

AVISO: No utilice nunca gasolina, bencina, disolvente, alcohol o similares. Podría producir descoloración, deformación o grietas.

Para mantener la SEGURIDAD y FIABILIDAD del producto, las reparaciones, y cualquier otra tarea de mantenimiento o ajuste deberán ser realizadas en centros de servicio o de fábrica autorizados por Makita, empleando siempre repuestos Makita.

Después de la utilización

Limpie la herramienta con un paño seco o con un paño ligeramente humedecido con agua jabonosa a intervalos regulares.

ACCESORIOS OPCIONALES

⚠PRECAUCIÓN: Estos accesorios o aditamentos están recomendados para su uso con la herramienta Makita especificada en este manual.

El uso de cualquier otro accesorio o aditamento puede suponer un riesgo de heridas personales. Utilice el accesorio o aditamento solamente con la finalidad indicada para el mismo.

Si necesita cualquier ayuda para más detalles en relación con estos accesorios, pregunte al centro de servicio Makita local.

- Banda de tornillos para yeso
- Punta Phillips
- Punta cuadrada
- Punta Pozidriv
- Carcasa
- Batería y cargador genuinos de Makita

NOTA: Algunos elementos de la lista podrán estar incluidos en el paquete de la herramienta como accesorios estándar. Pueden variar de un país a otro.

ESPECIFICAÇÕES

Modelo:	DFR452	DFR453	DFR551	DFR552
Tira dos parafusos	ø3,5 mm x 20 mm - ø4,2 mm x 41 mm		ø3,5 mm x 25 mm - ø4,2 mm x 55 mm	
Velocidade em vazio	0 - 6.000 min ⁻¹	0 - 4.500 min ⁻¹	0 - 6.000 min ⁻¹	0 - 4.500 min ⁻¹
Comprimento geral	360 mm		396 mm	
Tensão nominal	C.C. 18 V			
Peso líquido	1,9 - 2,2 kg			

- Devido a um programa contínuo de pesquisa e desenvolvimento, estas especificações estão sujeitas a alteração sem aviso prévio.
- As especificações podem variar de país para país.
- O peso poderá diferir em função do acessório(s), incluindo a bateria. A combinação mais leve e mais pesada, de acordo com o Procedimento EPTA 01/2014, é apresentada na tabela.

Bateria e carregador aplicável

Bateria	BL1815N / BL1820B / BL1830B / BL1840B / BL1850B / BL1860B
Carregador	DC18RC / DC18RD / DC18RE / DC18SD / DC18SE / DC18SF / DC18SH / DC18WC

- Algumas das baterias e carregadores listados acima poderão não estar disponíveis, dependendo da sua região de residência.

AVISO: Utilize apenas as baterias e carregadores listados acima. A utilização de quaisquer outras baterias e carregadores pode causar ferimentos e/ou um incêndio.

Utilização a que se destina

A ferramenta destina-se ao aparafusamento em madeira, metal e plástico.

Ruído

A característica do nível de ruído A determinado de acordo com a EN62841-2-2:

Modelo	Nível de pressão sonora (L_{pA}): (dB (A))	Incerteza (K): (dB (A))
DFR452	78	3
DFR453	79	3
DFR551	77	3
DFR552	78	3

O nível de ruído durante o funcionamento pode exceder 80 dB (A).

NOTA: O(s) valor(es) da emissão de ruído indicado(s) foi medido de acordo com um método de teste padrão e pode ser utilizado para comparar duas ferramentas.

NOTA: O(s) valor(es) da emissão de ruído indicado(s) pode também ser utilizado na avaliação preliminar da exposição.

AVISO: Utilize protetores auriculares.

AVISO: A emissão de ruído durante a utilização real da ferramenta elétrica pode diferir do(s) valor(es) indicado(s), dependendo das formas como a ferramenta é utilizada, especialmente o tipo de peça de trabalho que é processada.

AVISO: Certifique-se de identificar as medidas de segurança para proteção do operador que sejam baseadas em uma estimativa de exposição em condições reais de utilização (considerando todas as partes do ciclo de operação, tal como quando a ferramenta está desligada e quando está a funcionar em marcha lenta além do tempo de acionamento).

Vibração

Valor total da vibração (soma vetorial tri-axial) determinado de acordo com a EN62841-2-2:

Modo de trabalho: esmerilagem de superfície com punho lateral normal

Modelo	Emissão de vibração (a_{hv}): (m/s ²)	Incerteza (K): (m/s ²)
DFR452	2,5 m/s ² ou menos	1,5 m/s ²
DFR453		
DFR551		
DFR552		

NOTA: O(s) valor(es) total(ais) de vibração indicado(s) foi medido de acordo com um método de teste padrão e pode ser utilizado para comparar duas ferramentas.

NOTA: O(s) valor(es) total(ais) de vibração indicado(s) pode também ser utilizado na avaliação preliminar da exposição.

⚠️ AVISO: A emissão de vibração durante a utilização real da ferramenta elétrica pode diferir do(s) valor(es) indicado(s), dependendo das formas como a ferramenta é utilizada, especialmente o tipo de peça de trabalho que é processada.

⚠️ AVISO: Certifique-se de identificar as medidas de segurança para proteção do operador que sejam baseadas em uma estimativa de exposição em condições reais de utilização (considerando todas as partes do ciclo de operação, tal como quando a ferramenta está desligada e quando está a funcionar em marcha lenta além do tempo de acionamento).

Declarações de conformidade

Apenas para os países europeus

As Declarações de conformidade estão incluídas no Anexo A deste manual de instruções.

AVISOS DE SEGURANÇA

Avisos gerais de segurança para ferramentas elétricas

⚠️ AVISO Leia todos os avisos de segurança, instruções, ilustrações e especificações fornecidos com esta ferramenta elétrica. O incumprimento de todas as instruções abaixo enumeradas pode resultar em choque elétrico, incêndio e/ou ferimentos graves.

Guarde todos os avisos e instruções para futuras referências.

O termo "ferramenta elétrica" nos avisos refere-se às ferramentas elétricas ligadas à corrente elétrica (com cabo) ou às ferramentas elétricas operadas por meio de bateria (sem cabo).

Avisos de segurança da parafusadeira a bateria

1. **Segure na ferramenta elétrica através das superfícies de aderência isoladas quando realizar uma operação na qual o fixador possa estabelecer contacto com os fios escondidos.** Os fixadores que estabelecem contacto com um fio sob tensão poderão colocar peças metálicas expostas da ferramenta elétrica sob tensão e podem causar um choque elétrico no operador.
2. **Assegure sempre uma posição firme. Certifique-se de que ninguém se encontra sob locais elevados quando utiliza a ferramenta nestes locais.**

3. **Segure a ferramenta com firmeza.**
4. **Mantenha as mãos afastadas de peças rotativas.**
5. **Não toque na broca ou na peça de trabalho imediatamente após a operação; estas podem estar extremamente quentes e podem queimar a sua pele.**
6. **Fixe sempre a peça de trabalho num torno ou num dispositivo de retenção similar.**
7. **Certifique-se de que não há cabos elétricos, tubos de água, tubos de gás, etc., que possam constituir um perigo se danificados pela utilização da ferramenta.**

GUARDE ESTAS INSTRUÇÕES.

⚠️ AVISO: NÃO permita que o conforto ou a familiaridade com o produto (adquirido com o uso repetido) substitua a adesão estrita às regras de segurança da ferramenta.

A MÁ INTERPRETAÇÃO ou o não seguimento das regras de segurança estabelecidas neste manual de instruções pode causar danos pessoais graves.

Instruções de segurança importantes para a bateria

1. **Antes de utilizar a bateria, leia todas as instruções e etiquetas de precaução no (1) carregador de bateria (2) bateria e (3) produto que utiliza a bateria.**
2. **Não desmonte ou manipule a bateria.** Pode resultar num incêndio, em calor excessivo ou numa explosão.
3. **Se o tempo de funcionamento se tornar excessivamente curto, pare o funcionamento imediatamente.** Pode resultar em sobreaquecimento, possíveis queimaduras e mesmo explosão.
4. **Se entrar eletrólito nos seus olhos, lave-os com água e consulte imediatamente um médico.** Pode resultar em perda de visão.
5. **Não coloque a bateria em curto-circuito:**
 - (1) **Não toque nos terminais com qualquer material condutor.**
 - (2) **Evite guardar a bateria juntamente com outros objetos metálicos tais como pregos, moedas, etc.**
 - (3) **Não exponha a bateria à água ou chuva.** Um curto-circuito pode ocasionar um enorme fluxo de corrente, sobreaquecimento, possíveis queimaduras e mesmo estragar-se.
6. **Não guarde nem utilize a ferramenta e a bateria em locais onde a temperatura pode atingir ou exceder 50 °C.**
7. **Não queime a bateria mesmo que esteja estragada ou completamente gasta.** A bateria pode explodir no fogo.
8. **Não pree, corte, esmague, atire, deixe cair a bateria, nem bata a bateria contra um objeto rijo.** Esta conduta pode resultar num incêndio, em calor excessivo ou numa explosão.

9. Não utilize uma bateria danificada.
10. As baterias de íões de lítio contidas na ferramenta são sujeitas aos requisitos da DGL (Dangerous Goods Legislation - Legislação de bens perigosos).
Para o transporte comercial, por exemplo, por terceiros ou agentes de expedição, têm de ser observados os requisitos referentes à embalagem e etiquetagem.
Para preparação do artigo a ser expedido, é necessário consultar um perito em materiais perigosos. Tenha ainda em conta a possibilidade de existirem regulamentos nacionais mais detalhados.
Coloque fita-cola ou tape os contactos abertos e embale a bateria de tal forma que não possa mover-se dentro da embalagem.
11. Quando eliminar a bateria, remova-a da ferramenta e elimine-a num local seguro. Siga os regulamentos locais relacionados com a eliminação de baterias.
12. Utilize as baterias apenas com os produtos especificados pela Makita. Instalar as baterias em produtos não-conformes poderá resultar num incêndio, calor excessivo, explosão ou fuga de eletrólito.
13. Se a ferramenta não for utilizada durante um período de tempo prolongado, a bateria deve ser removida da ferramenta.
14. Durante e após a utilização, a bateria pode aquecer, o que pode provocar queimaduras ou queimaduras a baixa temperatura. Preste atenção ao manuseamento de baterias quentes.
15. Não toque no terminal da ferramenta imediatamente após a utilização, pois pode ficar suficientemente quente para provocar queimaduras.
16. Não permita a adesão de aparas, pó ou sujidade nos terminais, nos orifícios e nas ranhuras da bateria. Poderá fazer com que a ferramenta ou a bateria aqueça, incendeie, rebente e avarie, resultando em queimaduras ou ferimentos corporais.
17. A menos que a ferramenta suporte a utilização perto de linhas elétricas de alta tensão, não utilize a bateria perto de linhas elétricas de alta tensão. Pode resultar no mau funcionamento ou na avaria da ferramenta ou bateria.
18. Mantenha a bateria afastada das crianças.

GUARDE ESTAS INSTRUÇÕES.

⚠️PRECAUÇÃO: Utilize apenas baterias genuínas da Makita. A utilização de baterias não genuínas da Makita ou de baterias que foram alteradas, pode resultar no rebentamento da bateria provocando incêndios, ferimentos pessoais e danos. Além disso, anulará da garantia da Makita no que se refere à ferramenta e ao carregador Makita.

Conselhos para manter a máxima vida útil da bateria

1. Carregue a bateria antes que esteja completamente descarregada. Pare sempre o funcionamento da ferramenta e carregue a bateria quando notar menos poder na ferramenta.
2. Nunca carregue uma bateria completamente carregada. Carregamento excessivo diminui a vida útil da bateria.
3. Carregue a bateria à temperatura ambiente de 10 °C – 40 °C. Deixe que uma bateria quente arrefeça antes de a carregar.
4. Quando não utilizar a bateria, remova-a da ferramenta ou do carregador.
5. Carregue a bateria se não a utilizar durante um longo período de tempo (mais de seis meses).

DESCRIÇÃO FUNCIONAL

⚠️PRECAUÇÃO: Certifique-se sempre de que a ferramenta está desligada e a bateria foi retirada antes de regular ou verificar qualquer função na ferramenta.

Instalação ou remoção da bateria

⚠️PRECAUÇÃO: Desligue sempre a ferramenta antes de colocar ou retirar a bateria.

⚠️PRECAUÇÃO: Segure firmemente a ferramenta e a bateria quando instalar ou remover a bateria. Se não segurar firmemente a ferramenta e a bateria pode fazer com que escorreguem das suas mãos resultando em danos na ferramenta e na bateria e ferimentos pessoais.

Para instalar a bateria, alinhe a lingueta na bateria com a ranhura na caixa e deslize-a para a posição correta. Insira-a por completo até bloquear na posição correta com um pequeno clique. Se conseguir ver o indicador vermelho conforme apresentado na figura, não está completamente bloqueada.

Para retirar a bateria, deslize-a para fora da ferramenta enquanto desliza o botão na frente da bateria.

► Fig.1: 1. Indicador vermelho 2. Botão 3. Bateria

⚠️PRECAUÇÃO: Instale sempre a bateria até ao fim, até deixar de ver o indicador vermelho. Caso contrário, a bateria poderá cair da ferramenta acidentalmente e provocar ferimentos em si mesmo ou em alguém próximo.

⚠️PRECAUÇÃO: Não instale a bateria à força. Se a bateria não deslizar facilmente é porque não foi colocada corretamente.

Sistema de proteção da ferramenta/bateria

A ferramenta está equipada com um sistema de proteção da ferramenta/bateria. Este sistema corta automaticamente a corrente para o motor para aumentar a vida da ferramenta e da bateria. A ferramenta para automaticamente durante o funcionamento se a ferramenta ou bateria for colocada mediante uma das seguintes condições:

Proteção contra sobrecarga

Quando a ferramenta/bateria estiver a operar de uma forma que cause a absorção anormal de corrente elétrica, a ferramenta para automaticamente. Nesta situação, desligue a ferramenta e pare a aplicação que causou a sobrecarga da ferramenta. De seguida, ligue a ferramenta para reiniciar.

Proteção contra sobreaquecimento

Quando a ferramenta/bateria fica sobreaquecida, a ferramenta para automaticamente. Neste caso, deixe a ferramenta/bateria arrefecer antes de voltar a ligar a ferramenta.

Proteção contra descarga excessiva

Quando a capacidade da bateria não é suficiente, a ferramenta para automaticamente. Neste caso, retire a bateria da ferramenta e carregue-a.

Proteções contra outras causas

O sistema de proteção foi também concebido para outras causas que possam danificar a ferramenta e permite à ferramenta parar automaticamente. Tome todas as medidas que se seguem para eliminar as causas quando a ferramenta tiver parado ou interrompido temporariamente a operação.

1. Desligue a ferramenta e, em seguida, volte a ligá-la para reiniciar.
2. Carregue a(s) bateria(s) ou substitua-a(s) por bateria(s) recarregada(s).
3. Deixe a ferramenta e a(s) bateria(s) arrefecerem.

Se não for possível constatar qualquer melhoria através do restauro do sistema de proteção, contacte o centro de assistência Makita local.

Indicador de alerta

A luz indicadora no seletor do modo de impulso por tração emite um alerta com luzes vermelhas intermitentes quando a ferramenta funciona nas seguintes condições operacionais.

► **Fig.2:** 1. Luz indicadora

Estado da luz	Causas	Soluções
Intermitência rápida (intervalos de aprox. um terço de segundo)	A bateria está a ficar fraca	Carregue a bateria o mais rapidamente possível.
Intermitência demorada (intervalos de aprox. um segundo)	Sobreaquecimento	Deixe a ferramenta arrefecer antes de ligá-la novamente.

NOTA: Um alerta de descarga excessiva pode ser apresentado dependendo do estado da bateria e das condições operacionais.

Indicação da capacidade restante da bateria

Apenas para baterias com indicador

Prima o botão de verificação na bateria para indicar a capacidade restante da bateria. As luzes indicadoras acendem durante alguns segundos.

► **Fig.3:** 1. Luzes indicadoras 2. Botão de verificação

Luzes indicadoras			Capacidade restante
Aceso	Apagado	A piscar	
■ ■ ■ ■	□ □ □ □	▧	75% a 100%
■ ■ ■ □	□ □ □ □	▧	50% a 75%
■ ■ □ □	□ □ □ □	▧	25% a 50%
■ □ □ □	□ □ □ □	▧	0% a 25%
▧ □ □ □	□ □ □ □	▧	Carregar a bateria.
■ ■ □ □	□ □ □ □	▧	A bateria pode estar avariada.
□ □ □ ■	■ ■ ■ ■	▧	

NOTA: Dependendo das condições de utilização e da temperatura ambiente, a indicação pode ser ligeiramente diferente da capacidade real.

NOTA: A primeira luz indicadora (extremo esquerdo) pisca quando o sistema de proteção da bateria funciona.

Definir os comprimentos do parafuso pretendidos

Para os modelos DFR452 / DFR453

A ferramenta tem 4 definições de comprimento do parafuso de bloqueio positivo. Deslize a base do batente para fora e para dentro enquanto pressiona as alavancas na superfície superior da base do batente de forma que o número do comprimento do parafuso pretendido (indicado na etiqueta) apareça na janela de leitura. Consulte a seguinte tabela para obter informações sobre os números alocados aos respetivos comprimentos do parafuso pretendidos.

► **Fig.4:** 1. Base do batente 2. Alavancas 3. Etiqueta 4. Janela de leitura

Números indicados na etiqueta	Intervalos de comprimento do parafuso
20	20 mm (13/16")
25	25 mm - 28 mm (1" - 1-1/8")
32	28 mm - 35 mm (1-1/8" - 1-3/8")
41	35 mm - 41 mm (1-3/8" - 1-5/8")

Para os modelos DFR551 / DFR552

A ferramenta tem 7 definições de comprimento do parafuso de bloqueio positivo. Deslize a base do batente para fora e para dentro enquanto pressiona as alavancas na superfície superior da base do batente de forma que o número do comprimento do parafuso pretendido (indicado na etiqueta) apareça na janela de leitura. Consulte a seguinte tabela para obter informações sobre os números alocados aos respectivos comprimentos do parafuso pretendidos.

- **Fig.5:** 1. Base do batente 2. Alavancas 3. Etiqueta 4. Janela de leitura

Números indicados na etiqueta	Intervalos de comprimento do parafuso
25	25 mm (1")
30	25 mm - 30 mm (1" - 1-3/16")
35	30 mm - 35 mm (1-3/16" - 1-3/8")
40	35 mm - 40 mm (1-3/8" - 1-9/16")
45	40 mm - 45 mm (1-9/16" - 1-3/4")
50	45 mm - 50 mm (1-3/4" - 2")
55	50 mm - 55 mm (2" - 2-3/16")

Ajustar as profundidades de aparafusamento

Pressione a face frontal da base do batente e mantenha a caixa de alimentação pressionada na caixa até ao fim. Enquanto a mantém nessa posição, rode o indicador de ajuste de modo que a ponta da broca de aparafusar saia aproximadamente 6 mm da face frontal da base do batente.

Aperte um parafuso de teste. Se a cabeça do parafuso ficar acima da superfície da peça de trabalho, rode o indicador de ajuste na direção A; se a cabeça do parafuso ficar abaixo da superfície, rode o indicador de ajuste na direção B.

- **Fig.6:** 1. Aprox. 6 mm 2. Base do batente 3. Caixa de alimentação 4. Caixa 5. Indicador de ajuste

Ação do interruptor

⚠ AVISO: Antes de colocar a bateria na ferramenta, verifique sempre se o gatilho do interruptor funciona corretamente e volta para a posição "OFF" quando libertado.

Para arrancar a ferramenta, puxe o gatilho do interruptor. A velocidade da ferramenta aumenta ao aumentar a pressão no gatilho do interruptor. Solte o gatilho do interruptor para parar.

Para a operação contínua, puxe o gatilho do interruptor, pressione o botão de bloqueio e, em seguida, solte o gatilho. Para parar a ferramenta a partir da posição de bloqueada, puxe o gatilho do interruptor até ao fim e, em seguida, solte-o.

- **Fig.7:** 1. Gatilho do interruptor 2. Botão de bloqueio

Ação do interruptor de inversão

⚠ PRECAUÇÃO: Verifique sempre a direção de rotação antes da operação.

⚠ PRECAUÇÃO: Só utilize o interruptor de inversão depois de a ferramenta estar completamente parada. Mudar a direção de rotação antes de a ferramenta parar pode estragar a ferramenta.

⚠ PRECAUÇÃO: Quando não estiver a utilizar a ferramenta, coloque sempre a alavanca do interruptor de inversão na posição neutra.

Esta ferramenta tem um interruptor de inversão para mudar a direção de rotação. Pressione a alavanca do interruptor de inversão no lado A para rotação para a direita ou no lado B para rotação para a esquerda. Quando a alavanca do interruptor de inversão está na posição neutra, não é possível carregar no gatilho.

- **Fig.8:** 1. Alavanca do interruptor de inversão

Modo de impulso por tração

No modo de impulso por tração, a broca de aparafusar só roda ao aplicar pressão na superfície de aparafusamento com a base do batente, permitindo que a ferramenta desligue a alimentação ao motor para poupar carga da bateria ao ralenti.

Para selecionar o modo de impulso por tração, puxe o gatilho do interruptor ligeiramente e, em seguida, solte-o e pressione rapidamente o botão de seleção do modo. A luz indicadora no seletor do modo de impulso por tração irá depois acender.

- **Fig.9:** 1. Botão de seleção do modo 2. Luz indicadora

NOTA: O modo de impulso por tração será automaticamente desativado após oito horas com o gatilho do interruptor bloqueado e sem mais nenhuma operação do interruptor. Para reiniciar a ferramenta, puxe o gatilho do interruptor até ao fim para soltar o botão de bloqueio e volte a puxar o gatilho.

Função de prevenção de reinício acidental

Mesmo que instale a bateria ao mesmo tempo que puxa o gatilho do interruptor, a ferramenta não arranca. Para iniciar a ferramenta, solte primeiro o gatilho do interruptor e, em seguida, puxe o gatilho do interruptor.

MONTAGEM

⚠️ PRECAUÇÃO: Certifique-se sempre de que a ferramenta está desligada e a bateria retirada antes de executar qualquer trabalho na ferramenta.

Instalar e remover a broca de aparafusar

⚠️ PRECAUÇÃO: Tenha cuidado para não tocar nas extremidades afiadas dos parafusos enquanto estiver a montar novamente os componentes e os acessórios.

⚠️ PRECAUÇÃO: Manuseie os acessórios e os complementos com cuidado. Certifique-se sempre de que segura firmemente o corpo dos acessórios e dos complementos durante a instalação e a remoção. Caso contrário, os acessórios e os complementos podem escorregar das mãos e cair.

⚠️ PRECAUÇÃO: Segure a caixa quando instalar e remover os complementos.

⚠️ PRECAUÇÃO: Desligue e remova sempre a bateria quando mudar a broca.

Instalar a broca de aparafusar

1. Para instalar uma broca de aparafusar, coloque-a no orifício do eixo até ao fim enquanto pressiona e mantém pressionado o eixo na caixa de transmissão. Em seguida, solte o eixo para prender a broca de aparafusar.

► **Fig.10:** 1. Broca de aparafusar 2. Eixo 3. Caixa de transmissão

2. Empurre a caixa para a caixa de transmissão enquanto segura o corpo da caixa firmemente até os botões de libertação em cada lado da caixa bloquearem no devido lugar com um pequeno clique.

► **Fig.11:** 1. Caixa 2. Botões de libertação

Remover a broca de aparafusar

1. Pressione e mantenha pressionados os botões de libertação em cada lado da caixa e, em seguida, desmonte a caixa.

► **Fig.12:** 1. Botões de libertação 2. Caixa

2. Para remover a broca de aparafusar, retire-a enquanto pressiona e mantém pressionado o eixo na caixa de transmissão.

► **Fig.13:** 1. Broca de aparafusar 2. Eixo 3. Caixa de transmissão

Instalar a tira dos parafusos

⚠️ PRECAUÇÃO: Desligue e remova sempre a bateria quando cortar a tira dos parafusos.

Insira uma tira dos parafusos através da guia da tira dos parafusos na caixa e, em seguida, insira-a através da guia de carregamento dos parafusos na caixa de alimentação.

► **Fig.14:** 1. Tira dos parafusos 2. Guia da tira dos parafusos 3. Caixa 4. Guia de carregamento dos parafusos 5. Caixa de alimentação

⚠️ OBSERVAÇÃO: Certifique-se de que coloca o primeiro parafuso na segunda fila junto da posição de aparafusamento.

► **Fig.15:** 1. Primeiro parafuso 2. Posição de aparafusamento

Remover a tira dos parafusos

⚠️ PRECAUÇÃO: Remova sempre a tira dos parafusos antes de remover o complemento.

Para remover a tira dos parafusos, puxe-a para cima e para fora da caixa de alimentação.

► **Fig.16**

A tira dos parafusos pode ser puxada para baixo e para fora da caixa de alimentação enquanto pressiona o botão de inversão na caixa de alimentação.

► **Fig.17:** 1. Botão de inversão 2. Caixa de alimentação

Instalar o gancho

⚠️ AVISO: Utilize as peças de suspensão/montagem exclusivamente para as respetivas finalidades, por exemplo, pendurar a ferramenta num cinto de ferramentas entre trabalhos ou intervalos de trabalho.

⚠️ AVISO: Tenha cuidado para não sobrecarregar o gancho, pois a força excessiva ou sobrecarga irregular poderão causar danos na ferramenta, resultando em ferimentos corporais.

⚠️ PRECAUÇÃO: Quando instalar o gancho, fixe-o sempre firmemente com o parafuso. Caso contrário, o gancho sai da ferramenta, resultando em lesão física.

⚠️ PRECAUÇÃO: Certifique-se de que pendura a ferramenta em segurança antes de soltá-la. Enganchar de forma insuficiente ou desequilibrada poderá causar quedas e poderá ferir-se.

► **Fig.18:** 1. Ranhura 2. Gancho 3. Parafuso

O gancho é conveniente para pendurar temporariamente a ferramenta. Pode ser instalado em qualquer um dos lados da ferramenta. Para instalar o gancho, coloque-o numa ranhura no corpo da ferramenta em qualquer um dos lados e prenda-o com um parafuso. Para o retirar, solte o parafuso e retire-o.

Utilizar o orifício

AVISO: Nunca utilize o orifício para pendurar para fins não previstos como, por exemplo, amarrar a ferramenta num local elevado. Suportar a tensão num orifício fortemente carregado pode causar danos no orifício, provocando ferimentos a si ou às pessoas perto ou por baixo de si.

Utilize o orifício para pendurar na parte traseira inferior da ferramenta para pendurar a ferramenta numa parede utilizando um cabo para pendurar ou cordões semelhantes.

► **Fig.19:** 1. Orifício para pendurar

OPERAÇÃO

Operação de aparafusamento

OBSERVAÇÃO: Verifique sempre a broca de aparafusar cuidadosamente quanto a desgaste antes das operações de aparafusamento. Substitua uma broca de aparafusar gasta ou tal pode resultar em aperto fraco.

OBSERVAÇÃO: Segure sempre a ferramenta a direito contra a superfície de aparafusamento. Se a segurar num ângulo pode danificar as cabeças dos parafusos e provocar desgaste na broca de aparafusar. Tal pode também resultar em aperto fraco.

OBSERVAÇÃO: Mantenha sempre a ferramenta firmemente contra a superfície de aparafusamento até o aparafusamento terminar. O incumprimento desta indicação pode provocar um aperto insuficiente dos parafusos.

OBSERVAÇÃO: Tenha cuidado para não apertar um parafuso noutro parafuso já apertado.

OBSERVAÇÃO: Não utilize a ferramenta sem parafusos. Tal irá danificar a superfície de aparafusamento.

OBSERVAÇÃO: Não aplique óleo nem massa lubrificante na superfície deslizante da caixa de alimentação.

Ligue a ferramenta puxando o gatilho do interruptor. Segure a ferramenta a direito e firmemente erguida contra a superfície de aparafusamento. Um parafuso será automaticamente transportado para a posição de aparafusamento e apertado.

► **Fig.20**

Operação de aparafusamento no modo de impulso por tração

1. Puxe o gatilho do interruptor ligeiramente e solte-o. Em seguida, pressione rapidamente o botão de seleção do modo.

A luz indicadora no seletor do modo de impulso por tração acende e o modo de impulso por tração fica ativado.

► **Fig.21:** 1. Botão de seleção do modo 2. Luz indicadora

2. Pressione o botão de bloqueio enquanto puxa o gatilho do interruptor e, em seguida, solte o gatilho do interruptor.

► **Fig.22:** 1. Botão de bloqueio 2. Gatilho do interruptor

NOTA: Enquanto seleciona o modo de impulso por tração e bloqueia o gatilho, o motor não roda sem carga para minimizar o consumo de energia.

3. Segure a ferramenta a direito contra a superfície de aparafusamento e aplique pressão para a frente na ferramenta.

O parafuso será automaticamente transportado para a posição de aparafusamento e apertado a toda a velocidade.

► **Fig.23**

Apertar em cantos

PRECAUÇÃO: Apertar numa posição com uma distância inferior a 15 mm da parede ou apertar com a base do batente em contacto com a parede pode danificar as cabeças dos parafusos e provocar desgaste na broca de aparafusar. Tal pode também resultar em aperto fraco dos parafusos e avaria da ferramenta.

Esta ferramenta pode ser utilizada para apertar numa posição de afastamento de 15 mm da parede conforme apresentado na figura.

► **Fig.24:** 1. Parede 2. Base do batente 3. 15 mm

Operação de desapertar

PRECAUÇÃO: Verifique sempre a direção de rotação antes da operação.

PRECAUÇÃO: Só utilize o interruptor de inversão depois de a ferramenta estar completamente parada. Mudar a direção de rotação antes de a ferramenta parar pode estragar a ferramenta.

A ferramenta permite-lhe alterar facilmente a direção de rotação da broca de aparafusar, quer seja para a direita (no sentido dos ponteiros do relógio) para apertar um parafuso ou para a esquerda (no sentido contrário ao dos ponteiros do relógio) para soltar um parafuso.

1. Pressione a alavanca do interruptor de inversão do lado B para rotação para a esquerda.

► **Fig.25:** 1. Alavanca do interruptor de inversão

2. Pressione e mantenha pressionados os botões de libertação em cada lado da caixa e, em seguida, desmonte a caixa.

► **Fig.26:** 1. Botões de libertação 2. Caixa

3. Coloque a ponta da broca de aparafusar na cabeça do parafuso a soltar.

4. Segure a ferramenta firmemente contra o parafuso e aperte o gatilho do interruptor para começar.

► **Fig.27:** 1. Broca de aparafusar 2. Cabeça do parafuso 3. Gatilho do interruptor

5. Volte a colocar a caixa na caixa de transmissão até bloquear no devido lugar após terminar a operação.

MANUTENÇÃO

⚠️ PRECAUÇÃO: Certifique-se sempre de que a ferramenta se encontra desligada e de que a bateria foi retirada antes de executar qualquer inspeção ou manutenção.

OBSERVAÇÃO: Nunca utilize gasolina, benzina, diluente, álcool ou produtos semelhantes. Pode ocorrer a descoloração, deformação ou rachaduras.

Para manter a SEGURANÇA e a FIABILIDADE do produto, as reparações e qualquer outra manutenção ou ajuste devem ser levados a cabo pelos centros de assistência Makita autorizados ou pelos centros de assistência de fábrica, utilizando sempre peças de substituição Makita.

Após a utilização

Limpe a ferramenta regularmente com um pano seco ou um pano ligeiramente humedecido com água com sabão.

ACESSÓRIOS OPCIONAIS

⚠️ PRECAUÇÃO: Estes acessórios ou peças são recomendados para utilização com a ferramenta Makita especificada neste manual. A utilização de outros acessórios ou peças pode ser perigosa para as pessoas. Utilize apenas acessórios ou peças para os fins indicados.

Se necessitar de informações adicionais relativas a estes acessórios, solicite-as ao seu centro de assistência Makita.

- Tira dos parafusos para placa de reboco
- Broca Phillips
- Broca quadrada
- Broca Pozidriv
- Caixa
- Bateria e carregador genuínos da Makita

NOTA: Alguns itens da lista podem estar incluídos na embalagem da ferramenta como acessórios padrão. Eles podem variar de país para país.

ΠΡΟΔΙΑΓΡΑΦΕΣ

Μοντέλο:	DFR452	DFR453	DFR551	DFR552
Γεμιστήρας βιδών	ø3,5 mm x 20 mm - ø4,2 mm x 41 mm		ø3,5 mm x 25 mm - ø4,2 mm x 55 mm	
Ταχύτητα χωρίς φορτίο	0 - 6.000 min ⁻¹	0 - 4.500 min ⁻¹	0 - 6.000 min ⁻¹	0 - 4.500 min ⁻¹
Ολικό μήκος	360 mm		396 mm	
Ονομαστική τάση	D.C. 18 V			
Καθαρό βάρος	1,9 - 2,2 kg			

- Λόγω του συνεχιζόμενου προγράμματος έρευνας και ανάπτυξης, οι προδιαγραφές αυτές υπόκεινται σε αλλαγές χωρίς προειδοποίηση.
- Τα τεχνικά χαρακτηριστικά μπορεί να διαφέρουν από χώρα σε χώρα.
- Το βάρος μπορεί να διαφέρει ανάλογα με τα προσαρτήματα, συμπεριλαμβάνοντας την κασέτα μπαταριών. Ο ελαφρύτερος και ο βαρύτερος συνδυασμός, σύμφωνα με τη διαδικασία ΕΡΤΑ 01/2014, παρουσιάζονται στον πίνακα.

Ισχύουσα κασέτα μπαταριών και φορτιστής

Κασέτα μπαταρίας	BL1815N / BL1820B / BL1830B / BL1840B / BL1850B / BL1860B
Φορτιστής	DC18RC / DC18RD / DC18RE / DC18SD / DC18SE / DC18SF / DC18SH / DC18WC

- Ορισμένες από τις κασέτες και τους φορτιστές μπαταριών που αναγράφονται παραπάνω ίσως να μην είναι διαθέσιμοι, ανάλογα με την τοποθεσία κατοικίας σας.

⚠ ΠΡΟΕΙΔΟΠΟΙΗΣΗ: Να χρησιμοποιείτε μόνο τις κασέτες μπαταριών και τους φορτιστές που παρατίθενται ανωτέρω. Η χρήση οποιασδήποτε άλλης κασέτας μπαταριών ή φορτιστή μπορεί να προκαλέσει τραυματισμό ή/και πυρκαγιά.

Προοριζόμενη χρήση

Το εργαλείο προορίζεται για βίδωμα σε ξύλο, μέταλλο και πλαστικό.

Θόρυβος

Το τυπικό Α επίπεδο καταμετρημένου θορύβου καθορίζεται σύμφωνα με το EN62841-2-2:

Μοντέλο	Επίπεδο ηχητικής πίεσης (L _{PA}): (dB (A))	Αβεβαιότητα (K): (dB (A))
DFR452	78	3
DFR453	79	3
DFR551	77	3
DFR552	78	3

Η ένταση θορύβου υπό συνθήκες εργασίας μπορεί να υπερβεί τα 80 dB (A).

ΠΑΡΑΤΗΡΗΣΗ: Η δηλωμένη τιμή(ές) εκπομπής θορύβου έχει μετρηθεί σύμφωνα με την πρότυπη μέθοδο δοκιμής και μπορεί να χρησιμοποιηθεί για τη σύγκριση ενός εργαλείου με κάποιο άλλο.

ΠΑΡΑΤΗΡΗΣΗ: Η δηλωμένη τιμή(ές) εκπομπής θορύβου μπορεί να χρησιμοποιηθεί και στην προκαταρκτική αξιολόγηση της έκθεσης.

⚠ ΠΡΟΕΙΔΟΠΟΙΗΣΗ: Να φοράτε γυαλιά.

⚠ ΠΡΟΕΙΔΟΠΟΙΗΣΗ: Η εκπομπή θορύβου κατά τη χρήση του ηλεκτρικού εργαλείου σε πραγματικές συνθήκες μπορεί να διαφέρει από τη δηλωμένη τιμή(ές) ανάλογα με τους τρόπους χρήσης του εργαλείου, ιδιαίτερα το είδος του τεμαχίου εργασίας που υπόκειται επεξεργασία.

⚠ ΠΡΟΕΙΔΟΠΟΙΗΣΗ: Φροντίστε να λάβετε τα κατάλληλα μέτρα προστασίας του χειριστή βάσει ενός υπολογισμού της έκθεσης σε πραγματικές συνθήκες χρήσης (λαμβάνοντας υπόψη όλες τις συνιστώσες του κύκλου λειτουργίας όπως τους χρόνους που το εργαλείο είναι εκτός λειτουργίας και όταν βρίσκεται σε αδρανή λειτουργία πέραν του χρόνου ενεργοποίησης).

Κραδασμός

Η ολική τιμή δόνησης (άθροισμα τρι-αξονικού διανύσματος) καθορίζεται σύμφωνα με το EN62841-2-2:

Κατάσταση λειτουργίας: λείανση επιφανειών με κανονική πλάγια λαβή

Μοντέλο	Εκπομπή δόνησης (a _h): (m/s ²)	Αβεβαιότητα (K): (m/s ²)
DFR452	2,5 m/s ² ή λιγότερο	1,5 m/s ²
DFR453		
DFR551		
DFR552		

ΠΑΡΑΤΗΡΗΣΗ: Η δηλωμένη τιμή(ές) συνολικών κραδασμών έχει μετρηθεί σύμφωνα με την πρότυπη μέθοδο δοκιμής και μπορεί να χρησιμοποιηθεί για τη σύγκριση ενός εργαλείου με κάποιο άλλο.

ΠΑΡΑΤΗΡΗΣΗ: Η δηλωμένη τιμή(ές) συνολικών κραδασμών μπορεί να χρησιμοποιηθεί και στην προκαταρκτική αξιολόγηση της έκθεσης.

▲ΠΡΟΕΙΔΟΠΟΙΗΣΗ: Η εκπομπή κραδασμών κατά τη χρήση του ηλεκτρικού εργαλείου σε πραγματικές συνθήκες μπορεί να διαφέρει από τη δηλωμένη τιμή(ές) εκπομπής ανάλογα με τους τρόπους χρήσης του εργαλείου, ιδιαίτερα το είδος του τεμαχίου εργασίας που υπόκειται επεξεργασία.

▲ΠΡΟΕΙΔΟΠΟΙΗΣΗ: Φροντίστε να λάβετε τα κατάλληλα μέτρα προστασίας του χειριστή βάσει ενός υπολογισμού της έκθεσης σε πραγματικές συνθήκες χρήσης (λαμβάνοντας υπόψη όλες τις συνιστώσες του κύκλου λειτουργίας όπως τους χρόνους που το εργαλείο είναι εκτός λειτουργίας και όταν βρίσκεται σε αδρανή λειτουργία πέραν του χρόνου ενεργοποίησης).

Δήλωση Συμμόρφωσης

Μόνο για χώρες της Ευρώπης

Οι Δήλώσεις Συμμόρφωσης περιλαμβάνονται στο Παράρτημα Α στο παρόν εγχειρίδιο οδηγιών.

ΠΡΟΕΙΔΟΠΟΙΗΣΕΙΣ ΑΣΦΑΛΕΙΑΣ

Γενικές προειδοποιήσεις ασφαλείας για το ηλεκτρικό εργαλείο

▲ΠΡΟΕΙΔΟΠΟΙΗΣΗ Διαβάστε όλες τις προειδοποιήσεις ασφαλείας, οδηγίες, εικονογραφήσεις και προδιαγραφές που παρέχονται με αυτό το ηλεκτρικό εργαλείο. Η μη τήρηση όλων των οδηγιών που αναγράφονται κατωτέρω μπορεί να καταλήξει σε ηλεκτροπληξία, πυρκαγιά ή/και σοβαρό τραυματισμό.

Φυλάξτε όλες τις προειδοποιήσεις και τις οδηγίες για μελλοντική παραπομπή.

Στις προειδοποιήσεις, ο όρος «ηλεκτρικό εργαλείο» αναφέρεται σε ηλεκτρικό εργαλείο που τροφοδοτείται από την κύρια παροχή ηλεκτρικού ρεύματος (με ηλεκτρικό καλώδιο) ή σε ηλεκτρικό εργαλείο που τροφοδοτείται από μπαταρία (χωρίς ηλεκτρικό καλώδιο).

Προειδοποιήσεις ασφαλείας για το ασύρματο κατσαβίδι

1. Να κρατάτε το ηλεκτρικό εργαλείο από τις λαβές με μόνωση όταν εκτελείτε εργασίες κατά τις οποίες ο συνδετήρας μπορεί να έρθει σε επαφή με κρυμμένα καλώδια. Αν ο συνδετήρας έρθει σε επαφή με κάποιο ηλεκτροφόρο καλώδιο, μπορεί να εκτεθειμένα μεταλλικά μέρη του ηλεκτρικού εργαλείου να γίνουν κι αυτά ηλεκτροφόρα και να προκληθεί ηλεκτροπληξία στο χειριστή.
2. Να φροντίζετε πάντα να στέκεστε σταθερά. Βεβαιωθείτε ότι δεν υπάρχει άτομο ακριβώς από κάτω, όταν χρησιμοποιείτε το ηλεκτρικό εργαλείο σε υψηλά σημεία.
3. Να κρατάτε το εργαλείο σταθερά.
4. Να διατηρείτε τα χέρια σας μακριά από τα περιστρεφόμενα μέρη.
5. Μην αγγίζετε τη μύτη ή το τεμάχιο εργασίας αμέσως μετά τη λειτουργία του εργαλείου. Μπορεί να είναι εξαιρετικά θερμά και να προκληθεί έγκαυμα στο δέρμα σας.
6. Να ασφαρίζετε πάντα τα τεμάχια εργασίας σε μγγενη ή παρόμοια διάταξη συγκράτησης.
7. Βεβαιωθείτε ότι δεν υπάρχουν ηλεκτρικά καλώδια, σωληνώσεις νερού ή αερίου κ.λπ. οι οποίες θα μπορούσαν να προκαλέσουν κίνδυνο αν υποστούν ζημιές από τη χρήση του εργαλείου.

ΦΥΛΑΞΤΕ ΤΙΣ ΟΔΗΓΙΕΣ ΑΥΤΕΣ.

▲ΠΡΟΕΙΔΟΠΟΙΗΣΗ: ΜΗΝ επιτρέψετε στην άνεση ή στην εξοικειωσή σας με το προϊόν (που αποκτήθηκε από επανειλημμένη χρήση) να αντικαταστήσει την αυστηρή τήρηση των κανόνων ασφαλείας του παρόντος εργαλείου.

Η ΛΑΝΘΑΣΜΕΝΗ ΧΡΗΣΗ ή η αμέλεια να ακολουθήσετε τους κανόνες ασφαλείας που διατυπώνονται στο παρόν εγχειρίδιο οδηγιών μπορεί να προκαλέσει σοβαρό προσωπικό τραυματισμό.

Σημαντικές οδηγίες ασφαλείας για κασέτα μπαταριών

1. Πριν χρησιμοποιήσετε την κασέτα μπαταριών, διαβάστε όλες τις οδηγίες και σημειώσεις προφύλαξης (1) στον φορτιστή μπαταριών, (2) στην μπαταρία και (3) στο προϊόν που χρησιμοποιεί την μπαταρία.
2. Μην αποσυναρμολογήσετε ή παραβιάσετε την κασέτα μπαταριών. Μπορεί να έχει ως αποτέλεσμα πυρκαγιά, υπερθέρμανση ή έκρηξη.
3. Εάν ο χρόνος λειτουργίας έχει γίνει υπερβολικά βραχύς, σταματήστε τη λειτουργία αμέσως. Αλλιώς, μπορεί να έχει ως αποτέλεσμα κίνδυνο υπερθέρμανσης, πιθανά εγκαύματα ή ακόμη και έκρηξη.
4. Εάν ηλεκτρολύτης μπει στα μάτια σας, ξεπλύνετε τα με καθαρό νερό και ζητήστε ιατρική φροντίδα αμέσως. Αλλιώς, μπορεί να έχει ως αποτέλεσμα απώλεια της όρασης σας.

5. **Μη βραχυκυκλώνετε την κασέτα μπαταριών:**
 - (1) **Μην αγγίζετε τους πόλους με οτιδήποτε αγώγιμο υλικό.**
 - (2) **Αποφεύγετε να αποθηκεύετε την κασέτα μπαταριών μέσα σε ένα δοχείο μαζί με άλλα μεταλλικά αντικείμενα όπως καρφιά, νομίσματα, κλπ.**
 - (3) **Μην εκθέτετε την κασέτα μπαταριών στο νερό ή στη βροχή.**
Ένα βραχυκύκλωμα μπαταρίας μπορεί να προκαλέσει μεγάλη ροή ρεύματος, υπερθέρμανση, πιθανά εγκαύματα ακόμη και σοβαρή βλάβη.
6. **Μην αποθηκεύετε και μην χρησιμοποιείτε το εργαλείο και την κασέτα μπαταριών σε τοποθεσίες όπου η θερμοκρασία μπορεί να φτάσει ή να ξεπεράσει τους 50°C.**
7. **Μην καίτε την κασέτα μπαταριών ακόμη και εάν έχει σοβαρή ζημιά ή είναι εντελώς φθαρμένη. Η κασέτα μπαταριών μπορεί να εκραγεί στη φωτιά.**
8. **Μην καρφώσετε, κόψετε, συνθλίψετε, πετάξετε ή ρίξετε κάτω την κασέτα μπαταριών, ούτε να χτυπήσετε ένα σκληρό αντικείμενο επάνω στην κασέτα μπαταριών.** Τέτοια συμπεριφορά μπορεί να έχει ως αποτέλεσμα πυρκαγιά, υπερθέρμανση ή έκρηξη.
9. **Μη χρησιμοποιείτε μπαταρία που έχει υποστεί ζημιά.**
10. **Οι μπαταρίες ιόντων λιθίου που περιέχονται υπόκεινται στις απαιτήσεις της νομοθεσίας για επικίνδυνα αγαθά.**
Για εμπορικές μεταφορές, για παράδειγμα από τρίτα μέρη, πρέπει να τηρούνται οι διαμεταφορές, οι ειδικές απαιτήσεις στη συσκευασία και η επισήμανση.
Για προετοιμασία του στοιχείου που αποστέλλεται, είναι απαραίτητο να συμβουλευτείτε έναν ειδικό για επικίνδυνα υλικά. Επίσης, τηρήστε τους πιθανούς, πιο αναλυτικούς εθνικούς κανονισμούς. Καλύψτε με αυτοκόλλητη ταινία ή κρύψτε τις ανοικτές επαφές και συσκευάστε την μπαταρία με τρόπο που να μην μπορεί να μετακινείται μέσα στη συσκευασία.

11. **Όταν απορρίπτετε την κασέτα μπαταριών, αφαιρέστε την από το εργαλείο και διαθέστε την σε ένα ασφαλές μέρος. Τηρήστε τους τοπικούς κανονισμούς που σχετίζονται με τη διάθεση της μπαταρίας.**
12. **Χρησιμοποιήστε τις μπαταρίες μόνο με τα προϊόντα που καθορίζει η Makita.** Αν τοποθετήσετε τις μπαταρίες σε μη συμβατά προϊόντα μπορεί να έχει ως αποτέλεσμα πυρκαγιά, υπερβολική θερμότητα, έκρηξη ή διαρροή ηλεκτρολύτη.
13. **Αν δεν χρησιμοποιείτε το εργαλείο για μεγάλο χρονικό διάστημα, πρέπει να βγάλετε την μπαταρία από το εργαλείο.**
14. **Κατά τη διάρκεια και μετά τη χρήση, η κασέτα μπαταριών μπορεί να θερμανθεί, γεγονός που μπορεί να προκαλέσει εγκαύματα ή εγκαύματα από χαμηλή θερμοκρασία. Προσέχετε το χειρισμό των ζεστών κασετών μπαταριών.**
15. **Μην αγγίζετε τον ακροδέκτη του εργαλείου αμέσως μετά τη χρήση επειδή μπορεί να έχει ζεσταθεί αρκετά για να προκαλέσει εγκαύματα.**
16. **Μην αφήνετε θραύσματα, σκόνη ή βρομιά να κολλήσει στους ακροδέκτες, τις οπές και τις εγκοπές της κασέτας μπαταριών.** Μπορεί να προκαλέσει θέρμανση, φωτιά, έκρηξη και δυσλειτουργία του εργαλείου ή της κασέτας μπαταριών, έχοντας ως αποτέλεσμα εγκαύματα ή προσωπικό τραυματισμό.
17. **Εκτός αν το εργαλείο υποστηρίζει τη χρήση κοντά σε ηλεκτρικές γραμμές υψηλής τάσης, μην χρησιμοποιείτε την κασέτα μπαταριών κοντά σε ηλεκτρικές γραμμές υψηλής τάσης.** Μπορεί να έχει ως αποτέλεσμα δυσλειτουργία ή στάσιμο του εργαλείου ή της κασέτας μπαταριών.
18. **ΚρΦυλάξτε την μπαταρία μακριά από παιδιά.**

ΦΥΛΑΞΤΕ ΤΙΣ ΟΔΗΓΙΕΣ ΑΥΤΕΣ.

▲ΠΡΟΣΟΧΗ: Να χρησιμοποιείτε μόνο γνήσιες μπαταρίες της Makita. Η χρήση μη γνήσιων μπαταριών Makita, ή μπαταριών που έχουν τροποποιηθεί, μπορεί να έχει ως αποτέλεσμα τη ρήξη της μπαταρίας, προκαλώντας πυρκαγιά, προσωπικό τραυματισμό και βλάβη. Επίσης, θα ακυρωθεί η εγγύηση της Makita για το εργαλείο και φορτιστή Makita.

Συμβουλές για τη διατήρηση της μέγιστης ζωής μπαταρίας

1. **Φορτίζετε την κασέτα μπαταριών πριν από την πλήρη αποφόρτισή της. Πάντοτε να σταματάτε τη λειτουργία του εργαλείου και να φορτίζετε την κασέτα μπαταριών όταν παρατηρείτε μειωμένη ισχύ εργαλείου.**
2. **Ποτέ μην επαναφορτίζετε μια πλήρως φορτισμένη κασέτα μπαταριών. Η υπερφόρτιση μειώνει την ωφέλιμη ζωή της μπαταρίας.**
3. **Να φορτίζετε την κασέτα μπαταριών σε θερμοκρασία δωματίου, δηλαδή στους 10 °C έως 40 °C. Αφήστε μια θερμή κασέτα μπαταριών να κρυώσει πριν την φορτίσετε.**
4. **Όταν δεν χρησιμοποιείτε την κασέτα μπαταριών, αφαιρέστε την από το εργαλείο ή τον φορτιστή.**
5. **Να φορτίζετε την κασέτα μπαταριών εάν δεν τη χρησιμοποιείτε για μεγάλη χρονική περίοδο (περισσότερο από έξι μήνες).**

ΠΕΡΙΓΡΑΦΗ ΛΕΙΤΟΥΡΓΙΑΣ

▲ ΠΡΟΣΟΧΗ: Να φροντίζετε πάντα για την απενεργοποίηση του εργαλείου και την αφαίρεση της κασέτας μπαταρίας, πριν από οποιαδήποτε ρύθμιση ή έλεγχο της λειτουργίας του.

Τοποθέτηση ή αφαίρεση της κασέτας μπαταριών

▲ ΠΡΟΣΟΧΗ: Να σβήνετε πάντα το εργαλείο πριν τοποθετήσετε ή αφαιρέσετε την κασέτα μπαταριών.

▲ ΠΡΟΣΟΧΗ: Κρατήστε το εργαλείο και την κασέτα μπαταριών σταθερά κατά την τοποθέτηση ή αφαίρεση της κασέτας μπαταριών. Εάν δεν κρατάτε το εργαλείο και την κασέτα μπαταριών σταθερά μπορεί να γλιστρήσουν από τα χέρια σας και να προκληθεί βλάβη στο εργαλείο και την κασέτα μπαταριών και προσωπικός τραυματισμός.

Για να τοποθετήσετε την κασέτα μπαταριών, ευθυγραμμίστε τη γλώσσα στην κασέτα μπαταριών με την εγκοπή στο περίβλημα και ολισθήστε τη στη θέση της. Τοποθετήστε την μέχρι τέρμα μέχρι να ασφαλίσει στη θέση της, γεγονός που υποδεικνύεται με ένα χαρακτηριστικό ήχο. Αν μπορείτε να δείτε τον κόκκινο δείκτη όπως απεικονίζεται στην εικόνα, δεν έχει κλειδώσει τελείως.

Για να αφαιρέσετε την κασέτα μπαταριών, ολισθήστε την από το εργαλείο ενώ σύρετε το κουμπί στο μπροστινό μέρος της κασέτας.

► **Εικ. 1:** 1. Κόκκινος δείκτης 2. Κουμπί 3. Κασέτα μπαταριών

▲ ΠΡΟΣΟΧΗ: Να τοποθετείτε πάντα την κασέτα μπαταριών πλήρως μέχρι να μη βλέπετε τον κόκκινο δείκτη. Εάν δεν ασφαλιστεί, μπορεί να πέσει από το εργαλείο τυχαία, προκαλώντας σωματική βλάβη σε εσάς ή κάποιον άλλο γύρω σας.

▲ ΠΡΟΣΟΧΗ: Μην τοποθετείτε την κασέτα μπαταριών με βία. Εάν η κασέτα δεν ολισθαίνει με ευκολία, τότε δεν έχει τοποθετηθεί κατάλληλα.

Σύστημα προστασίας εργαλείου/ μπαταρίας

Το εργαλείο είναι εξοπλισμένο με σύστημα προστασίας εργαλείου/μπαταρίας. Αυτό το σύστημα αποκόπτει αυτόματα την ισχύ προς το μοτέρ για να παραταθεί η διάρκεια λειτουργίας του εργαλείου και της μπαταρίας. Το εργαλείο σταματάει αυτόματα κατά τη διάρκεια της λειτουργίας εάν το εργαλείο ή η μπαταρία βρεθούν κάτω από τις παρακάτω συνθήκες:

Προστασία υπερφόρτωσης

Όταν το εργαλείο/μπαταρία λειτουργεί με τρόπο που προκαλεί την κατανάλωση ενός ασυνήθιστα υψηλού ηλεκτρικού ρεύματος, το εργαλείο σταματάει αυτόματα. Σε αυτή την κατάσταση, σβήστε το εργαλείο και διακόψτε την εφαρμογή που προκαλεί την υπερφόρτωση του εργαλείου. Μετά, ενεργοποιήστε το εργαλείο για επανεκκίνηση.

Προστασία υπερθέρμανσης

Όταν το εργαλείο/μπαταρία υπερθερμαίνεται, το εργαλείο σταματάει αυτόματα. Σε αυτή την κατάσταση, αφήστε τη θερμοκρασία του εργαλείου/μπαταρίας να μειωθεί πριν ενεργοποιήσετε ξανά το εργαλείο.

Προστασία υπερβολικής αποφόρτισης

Όταν η φόρτιση μπαταρίας δεν είναι αρκετή, το εργαλείο σταματάει αυτόματα. Σε αυτή την περίπτωση, βγάλτε την μπαταρία από το εργαλείο και φορτίστε την μπαταρία.

Προστασία και από άλλες αιτίες

Το σύστημα προστασίας έχει επίσης σχεδιαστεί για άλλες αιτίες που μπορούν να προκαλέσουν ζημιά στο εργαλείο και επιτρέπει την αυτόματη διακοπή του εργαλείου. Λάβετε όλα τα ακόλουθα βήματα για να διορθώσετε τις αιτίες, όταν το εργαλείο τεθεί σε προσωρινή διακοπή ή διακοπή κατά τη διάρκεια της λειτουργίας.

1. Απενεργοποιήστε το εργαλείο και, στη συνέχεια, ενεργοποιήστε το ξανά για να επανεκκινήσει.
2. Φορτίστε την μπαταρία ή τις μπαταρίες ή αντικαταστήστε τις με επαναφορτιζόμενες μπαταρίες.
3. Αφήστε το εργαλείο και τις μπαταρίες να ψυχθούν.

Εάν δεν υπάρχει βελτίωση με την επαναφορά του συστήματος προστασίας, επικοινωνήστε με το τοπικό σας κέντρο εξυπηρέτησης της Makita.

Ένδειξη ειδοποίησης

Η ενδεικτική λυχνία στον επιλογέα τρόπου λειτουργίας κίνησης με ώθηση σηματοδοτεί προειδοποίηση με κόκκινα φώτα που αναβοσβήνουν όταν το εργαλείο λειτουργεί στις ακόλουθες συνθήκες λειτουργίας.

► **Εικ. 2:** 1. Ενδεικτική λυχνία

Κατάσταση λυχνίας	Αιτίες	Λύσεις
Γρήγορη αναλαμπή (περίπου μεσοδιαστήματα ενός τρίτου του δευτερολέπτου)	Η στάθμη μπαταρίας εξαντλείται	Φορτίστε την μπαταρία το συντομότερο δυνατό.
Καθυστερημένη αναλαμπή (περίπου μεσοδιαστήματα ενός δευτερολέπτου)	Υπερθέρμανση	Αφήστε το εργαλείο να κρυώσει πριν το ενεργοποιήσετε ξανά.

ΠΑΡΑΤΗΡΗΣΗ: Μια προειδοποίηση υπερβολικής εκφόρτισης μπορεί να εμφανιστεί ανάλογα με την κατάσταση της μπαταρίας και τις συνθήκες λειτουργίας.

Εμφάνιση υπολειπόμενης χωρητικότητας μπαταρίας

Μόνο για κασέτες μπαταρίας με την ενδεικτική λυχνία

Πίστετε το κουμπί ελέγχου στην κασέτα μπαταριών για να υποδείξετε την υπολειπόμενη χωρητικότητα μπαταρίας. Οι ενδεικτικές λυχνίες ανάβουν για λίγα δευτερόλεπτα.

► **Εικ.3:** 1. Ενδεικτικές λυχνίες 2. Κουμπί ελέγχου

Ενδεικτικές λυχνίες			Υπολειπόμενη χωρητικότητα
Αναμμένες	Σβηστές	Αναβοσβήνουν	
			75% έως 100%
			50% έως 75%
			25% έως 50%
			0% έως 25%
			Φορτίστε την μπαταρία.
			Μπορεί να προέκυψε δυσλειτουργία στην μπαταρία.

ΠΑΡΑΤΗΡΗΣΗ: Ανάλογα με τις συνθήκες χρήσης και τη θερμοκρασία περιβάλλοντος, η ένδειξη μπορεί να διαφέρει λίγο από την πραγματική χωρητικότητα.

ΠΑΡΑΤΗΡΗΣΗ: Η πρώτη (τέρμα αριστερά) ενδεικτική λυχνία θα αναβοσβήνει όταν λειτουργεί το σύστημα προστασίας μπαταρίας.

Ρύθμιση για επιθυμητά μήκη βιδών

Για τα μοντέλα DFR452 / DFR453

Το εργαλείο παρέχει 4 ρυθμίσεις μήκους βιδών θετικής ασφάλισης. Σύρετε την ανασταλτική βάση προς τα έξω και μέσα ενώ πατάτε τους μοχλούς στην άνω επιφάνεια της ανασταλτικής βάσης, ώστε ο αριθμός για το επιθυμητό μήκος βίδας (υποδεικνύεται στην ετικέτα) να εμφανίζεται στο παράθυρο ανάγνωσης. Ανατρέξτε στον ακόλουθο πίνακα για λεπτομέρειες σχετικά με τους αριθμούς που εκχωρήθηκαν στα επιθυμητά μήκη βιδών.

► **Εικ.4:** 1. Ανασταλτική βάση 2. Μοχλοί 3. Ετικέτα 4. Παράθυρο ανάγνωσης

Αριθμοί που υποδεικνύονται στην ετικέτα	Εύρη μήκους βιδών
20	20 mm (13/16")
25	25 mm - 28 mm (1" - 1-1/8")
32	28 mm - 35 mm (1-1/8" - 1-3/8")
41	35 mm - 41 mm (1-3/8" - 1-5/8")

Για τα μοντέλα DFR551 / DFR552

Το εργαλείο παρέχει 7 ρυθμίσεις μήκους βιδών θετικής ασφάλισης. Σύρετε την ανασταλτική βάση προς τα έξω και μέσα ενώ πατάτε τους μοχλούς στην άνω επιφάνεια της ανασταλτικής βάσης, ώστε ο αριθμός για το επιθυμητό μήκος βίδας (υποδεικνύεται στην ετικέτα) να εμφανίζεται στο παράθυρο ανάγνωσης. Ανατρέξτε στον ακόλουθο πίνακα για λεπτομέρειες σχετικά με τους αριθμούς που εκχωρήθηκαν στα επιθυμητά μήκη βιδών.

► **Εικ.5:** 1. Ανασταλτική βάση 2. Μοχλοί 3. Ετικέτα 4. Παράθυρο ανάγνωσης

Αριθμοί που υποδεικνύονται στην ετικέτα	Εύρη μήκους βιδών
25	25 mm (1")
30	25 mm - 30 mm (1" - 1-3/16")
35	30 mm - 35 mm (1-3/16" - 1-3/8")
40	35 mm - 40 mm (1-3/8" - 1-9/16")
45	40 mm - 45 mm (1-9/16" - 1-3/4")
50	45 mm - 50 mm (1-3/4" - 2")
55	50 mm - 55 mm (2" - 2-3/16")

Ρύθμιση βαθών κίνησης

Πατήστε την πρόσοψη της ανασταλτικής βάσης και κρατήστε το κουτί τροφοδοσίας προς τα κάτω μέσα στη θήκη μέχρι τέρμα. Ενώ το διατηρείτε σε αυτή τη θέση, περιστρέψτε τον ρυθμιστικό επιλογέα ώστε το άκρο της μύτες βιδώματος να βγει κατά περίπου 6 mm από την πρόσοψη της ανασταλτικής βάσης.

Βιδώστε μια δοκιμαστική βίδα. Αν η κεφαλή βίδας προεξέχει από την επιφάνεια του τεμαχίου εργασίας, γυρίστε τον ρυθμιστικό επιλογέα προς την κατεύθυνση Α. Αν η κεφαλή βίδας βρεθεί κάτω από την επιφάνεια, γυρίστε τον ρυθμιστικό επιλογέα προς την κατεύθυνση Β.

► **Εικ.6:** 1. Περίπου 6 mm 2. Ανασταλτική βάση 3. Κουτί τροφοδοτή 4. Θήκη 5. Ρυθμιστικός επιλογέας

Δράση διακόπτη

▲ ΠΡΟΕΙΔΟΠΟΙΗΣΗ: Πριν βάλετε την κασέτα μπαταρίας μέσα στο εργαλείο, να ελέγχετε πάντα να δείτε αν η σκανδάλη διακόπτης ενεργοποιείται κανονικά και επιστρέφει στη θέση «OFF» όταν ελευθερώνεται.

Για να ξεκινήσετε το εργαλείο, τραβήξτε τη σκανδάλη διακόπτη. Η ταχύτητα του εργαλείου αυξάνεται αν αυξήσετε την πίεση στη σκανδάλη διακόπτη. Ελευθερώστε τη σκανδάλη διακόπτη για να σταματήσετε.

Για συνεχή λειτουργία, τραβήξτε τη σκανδάλη διακόπτη, πατήστε το κουμπί ασφάλισης και μετά αφήστε τη σκανδάλη. Για να σταματήσετε το εργαλείο από την ασφαλισμένη θέση, τραβήξτε πλήρως τη σκανδάλη διακόπτη και μετά αφήστε τη.

► **Εικ.7:** 1. Σκανδάλη διακόπτης 2. Κουμπί ασφάλισης

Δράση διακόπτη αντιστροφής

▲ ΠΡΟΣΟΧΗ: Να ελέγχετε πάντα τη διεύθυνση περιστροφής πριν από τη λειτουργία.

▲ ΠΡΟΣΟΧΗ: Να χρησιμοποιείτε τον διακόπτη αντιστροφής μόνο αφού το εργαλείο σταματήσει εντελώς. Η αλλαγή της διεύθυνσης περιστροφής πριν σταματήσει το εργαλείο μπορεί να προκαλέσει ζημιά στο εργαλείο.

▲ ΠΡΟΣΟΧΗ: Όταν δεν χρησιμοποιείτε το εργαλείο, να βάζετε πάντα το μοχλό διακόπτη αντιστροφής στην ουδέτερη θέση.

Αυτό το εργαλείο διαθέτει έναν διακόπτη αντιστροφής για να αλλάζετε τη διεύθυνση περιστροφής. Πίεστε το μοχλό διακόπτη αντιστροφής από την πλευρά Α για δεξιόστροφη περιστροφή ή από την πλευρά Β για αριστερόστροφη περιστροφή.

Όταν ο μοχλός διακόπτη αντιστροφής είναι στην ουδέτερη θέση, η σκανδάλη διακόπτη δεν μπορεί να τραβηχθεί.

► **Εικ.8:** 1. Μοχλός διακόπτη αντιστροφής

Τρόπος λειτουργίας κίνησης με ώθηση

Σε τρόπο λειτουργίας κίνησης με ώθηση, η μύτη βιδώματος περιστρέφεται μόνο με την άσκηση πίεσης στην επιφάνεια βιδώματος με την ανασταλτική βάση, επιτρέποντας στο εργαλείο να διακόπτει την ισχύ προς το μοτέρ και να εξοικονομεί ενέργεια μπαταρίας στο ρεζερβουάρ.

Για να επιλέξετε τον τρόπο λειτουργίας κίνησης με ώθηση, τραβήξτε λίγο τη σκανδάλη διακόπτη και μετά αφήστε την και πατήστε γρήγορα το κουμπί επιλογής τρόπου λειτουργίας. Μετά ανάβει η ενδεικτική λυχνία στον επιλογέα τρόπου λειτουργίας κίνησης με ώθηση.

► **Εικ.9:** 1. Κουμπί επιλογής τρόπου λειτουργίας 2. Ενδεικτική λυχνία

ΠΑΡΑΤΗΡΗΣΗ: Ο τρόπος λειτουργίας κίνησης με ώθηση απενεργοποιείται αυτόματα μετά από οκτώ ώρες με τη σκανδάλη διακόπτη κλειδωμένη και χωρίς περαιτέρω λειτουργία του διακόπτη. Για να εκκινήσετε ξανά το εργαλείο, τραβήξτε πλήρως τη σκανδάλη διακόπτη για να απελευθερώσετε το κουμπί ασφάλισης και τραβήξτε ξανά τη σκανδάλη.

Λειτουργία αποφυγής τυχαίας επανεκκίνησης

Ακόμα κι αν τοποθετήσετε την κασέτα μπαταριών ενώ τραβάτε τη σκανδάλη διακόπτη, το εργαλείο δεν ξεκινά. Για να ξεκινήσετε τη λειτουργία του εργαλείου, πρώτα αφήστε τη σκανδάλη διακόπτη και μετά τραβήξτε τη σκανδάλη διακόπτη.

ΣΥΝΑΡΜΟΛΟΓΗΣΗ

▲ ΠΡΟΣΟΧΗ: Να βεβαιώνετε πάντα ότι το εργαλείο είναι σβηστό και η κασέτα μπαταρίας έχει αφαιρεθεί πριν εκτελέσετε κάποια εργασία στο εργαλείο.

Τοποθέτηση και αφαίρεση της μύτης βιδώματος

▲ ΠΡΟΣΟΧΗ: Προσέχετε να μην ακουμπήσετε τα αιχμηρά άκρα των βιδών ενώ επανασυναρμολογείτε τα εξαρτήματα και προσαρτήματα.

▲ ΠΡΟΣΟΧΗ: Χειριστείτε τα αξεσουάρ και τα προσαρτήματα με προσοχή. Να βεβαιώνετε πάντα να κρατάτε σταθερά το κύριο τμήμα των εξαρτημάτων και προσαρτημάτων κατά την τοποθέτηση και αφαίρεση. Διαφορετικά, τα εξαρτήματα και τα προσαρτήματα μπορεί να γλιστρήσουν από τα χέρια σας και να πέσουν.

▲ ΠΡΟΣΟΧΗ: Να κρατάτε τη θήκη όταν τοποθετείτε και αφαιρείτε προσαρτήματα.

▲ ΠΡΟΣΟΧΗ: Πάντα να απενεργοποιείτε και να αφαιρείτε την κασέτα μπαταριών όταν αλλάζετε τη μύτη.

Τοποθέτηση της μύτης βιδώματος

1. Για να τοποθετήσετε μια μύτη βιδώματος, τοποθετήστε τη στην οπή αξονίσκου μέχρι τέρμα ενώ στρώχνετε και κρατάτε τον αξονίσκο στο περίβλημα οδοντοτροχών. Κατόπιν, αφήστε τον αξονίσκο για να ασφαλίσετε τη μύτη βιδώματος.

► **Εικ.10:** 1. Μύτη βιδώματος 2. Αξονίσκος 3. Περίβλημα οδοντοτροχών

2. Σπρώξτε τη θήκη μέσα στο περίβλημα οδοντοτροχών ενώ κρατάτε σταθερά το κύριο τμήμα της θήκης, μέχρι τα κουμπία ελευθέρωσης σε κάθε πλευρά της θήκης να ασφαλίσουν στη θέση τους με ένα μικρό κλικ.

► **Εικ.11:** 1. Θήκη 2. Κουμπία ελευθέρωσης

Αφαίρεση μύτης βιδώματος

1. Πατήστε παρειακά τα κουμπία ελευθέρωσης σε κάθε πλευρά της θήκης και, στη συνέχεια, τραβήξτε και διαχωρίστε τη θήκη.

► **Εικ.12:** 1. Κουμπία ελευθέρωσης 2. Θήκη

2. Για να αφαιρέσετε τη μύτη βιδώματος, τραβήξτε και βγάλτε την στρώχνοντας και κρατώντας τον αξονίσκο στο περίβλημα οδοντοτροχών.

► **Εικ.13:** 1. Μύτη βιδώματος 2. Αξονίσκος 3. Περίβλημα οδοντοτροχών

Τοποθέτηση γεμιστήρα βιδών

▲ ΠΡΟΣΟΧΗ: Πάντα να απενεργοποιείτε και να αφαιρείτε την κασέτα μπαταριών όταν κόβετε τον γεμιστήρα βιδών.

Εισαγάγετε έναν γεμιστήρα βιδών μέσα από τον οδηγό γεμιστήρα βιδών στη θήκη και, στη συνέχεια, εισαγάγετέ τον μέσα από τον οδηγό φόρτωσης βιδών στο κουτί τροφοδοτή.

► **Εικ.14:** 1. Γεμιστήρας βιδών 2. Οδηγός γεμιστήρα βιδών 3. Θήκη 4. Οδηγός φόρτωσης βιδών 5. Κουτί τροφοδοτή

ΕΙΔΟΠΟΙΗΣΗ: Βεβαιωθείτε να τοποθετήσετε την πρώτη βίδα στη δεύτερη σειρά, δίπλα από τη θέση βιδώματος.

► **Εικ.15:** 1. Πρώτη βίδα 2. Θέση οδήγησης

Αφαίρεση γεμιστήρα βιδών

▲ ΠΡΟΣΟΧΗ: Να αφαιρείτε πάντα τον γεμιστήρα βιδών πριν αφαιρέσετε το προσάρτημα.

Για να αφαιρέσετε τον γεμιστήρα βιδών, τραβήξτε τον προς τα πάνω ώστε να βγει από το κουτί τροφοδοτή.

► **Εικ.16**

Μπορείτε να τραβήξετε έναν γεμιστήρα βιδών προς τα κάτω, έξω από το κουτί τροφοδοτή, ενώ πατάτε το κουμπί αντιστροφής στο κουτί τροφοδοτή.

► **Εικ.17:** 1. Κουμπί αντιστροφής 2. Κουτί τροφοδοτή

Τοποθέτηση γάντζου

▲ ΠΡΟΕΙΔΟΠΟΙΗΣΗ: Χρησιμοποιήστε τα εξαρτήματα ανάρτησης/στερέωσης μόνο για τον σκοπό που προορίζονται, π.χ. κρέμασμα του εργαλείου σε ζώνη εργαλείων μεταξύ εργασιών ή διαλειμμάτων.

▲ ΠΡΟΕΙΔΟΠΟΙΗΣΗ: Προσέχετε να μην υπερφορτώσετε τον γάντζο επειδή πάρα πολύ δύναμη ή ακανόνιστο υπερβολικό φόρτο μπορεί να προκαλέσει ζημιά στο εργαλείο έχοντας ως αποτέλεσμα προσωπικό τραυματισμό.

▲ ΠΡΟΣΟΧΗ: Όταν τοποθετείτε το γάντζο, να τον ασφαλίσετε πάντα καλά με τη βίδα. Διαφορετικά, ο γάντζος μπορεί να βγει από το εργαλείο και να έχει ως αποτέλεσμα ατομικό τραυματισμό.

▲ ΠΡΟΣΟΧΗ: Βεβαιωθείτε να κρεμάσετε το εργαλείο με ασφάλεια πριν το αφήσετε. Το ανεπαρκές ή ανισόρροπο κρέμασμα σε γάντζο μπορεί να προκαλέσει πτώση και μπορεί να τραυματιστείτε.

► **Εικ.18:** 1. Αυλάκωση 2. Γάντζος 3. Βίδα

Ο γάντζος είναι βολικός για προσωρινό κρέμασμα του εργαλείου. Μπορεί να τοποθετηθεί σε οποιαδήποτε πλευρά του εργαλείου. Για να τοποθετήσετε το γάντζο, βάλτε τον σε μια αυλάκωση στο περίβλημα του εργαλείου σε οποιαδήποτε πλευρά και μετά ασφαλίστε τον με μια βίδα. Για να τον αφαιρέσετε, χαλαρώστε τη βίδα και μετά αφαιρέστε τον.

Χρήση οπής

▲ ΠΡΟΕΙΔΟΠΟΙΗΣΗ: Μην χρησιμοποιείτε ποτέ την οπή ανάρτησης για κάποιον σκοπό για τον οποίο δεν προορίζεται, για παράδειγμα, κρέμασμα του εργαλείου σε υψηλή τοποθεσία. Η καταπόνηση σε μια βαριά φορτωμένη οπή μπορεί να προκαλέσει ζημιές στην οπή, έχοντας ως αποτέλεσμα την πρόκληση τραυματισμών σε εσάς ή στα άτομα που βρίσκονται γύρω σας ή κάτω από εσάς.

Χρησιμοποιήστε την οπή ανάρτησης στο κάτω πίσω μέρος του εργαλείου για να κρεμάσετε το εργαλείο σε έναν τοίχο χρησιμοποιώντας ένα σκονίι ανάρτησης ή παρόμοια σκονίια.

► **Εικ.19:** 1. Οπή ανάρτησης

ΛΕΙΤΟΥΡΓΙΑ

Λειτουργία οδήγησης

ΕΙΔΟΠΟΙΗΣΗ: Να ελέγχετε πάντα τη μύτη βιδώματος προσεκτικά για φθορά πριν τις εργασίες βιδώματος. Αντικαταστήστε μια φθαρμένη μύτη βιδώματος, διαφορετικά μπορεί να προκύψει κακή στερέωση.

ΕΙΔΟΠΟΙΗΣΗ: Να κρατάτε πάντα το εργαλείο ισόπεδα επάνω στην επιφάνεια βιδώματος. Αν το κρατάτε υπό γωνία, μπορεί να προκληθεί ζημιά στις κεφαλές των βιδών και να φθαρεί η μύτη βιδώματος. Αυτό μπορεί να οδηγήσει επίσης σε κακή στερέωση.

ΕΙΔΟΠΟΙΗΣΗ: Να κρατάτε πάντα το εργαλείο σταθερά επάνω στην επιφάνεια βιδώματος μέχρι να ολοκληρωθεί το βιδώμα. Αν δεν το κάνετε αυτό, μπορεί να προκληθεί ανεπαρκής στερέωση των βιδών.

ΕΙΔΟΠΟΙΗΣΗ: Προσέχετε να μην βιδώσετε μια βίδα επάνω σε άλλη βίδα που είναι ήδη στερεωμένη.

ΕΙΔΟΠΟΙΗΣΗ: Μη θέτετε το εργαλείο σε λειτουργία χωρίς βίδες. Θα καταστραφεί η επιφάνεια βιδώματος.

ΕΙΔΟΠΟΙΗΣΗ: Μην εφαρμόζετε λάδι ή γράσο στην ολισθαίνουσα επιφάνεια του κουτιού τροφοδοτή.

Ενεργοποιήστε το εργαλείο τραβώντας τη σκανδάλη διακόπτη. Να κρατάτε πάντα το εργαλείο ισόπεδα επάνω στην επιφάνεια βιδώματος. Μια βίδα θα μεταφερθεί αυτόματα στη θέση βιδώματος και θα στερεωθεί.

► **Εικ.20**

Λειτουργία βιδώματος σε τρόπο λειτουργίας κίνησης με ώθηση

1. Τραβήξτε λίγο τη σκανδάλη διακόπτη και αφήστε τη. Μετά, πατήστε γρήγορα το κουμπί επιλογής τρόπου λειτουργίας.

Ανάβει η ενδεικτική λυχνία στον επιλεγέα τρόπου λειτουργίας κίνησης με ώθηση και ενεργοποιείται ο τρόπος λειτουργίας κίνησης με ώθηση.

► **Εικ.21:** 1. Κουμπί επιλογής τρόπου λειτουργίας 2. Ενδεικτική λυχνία

2. Πατήστε το κουμπί ασφάλισης ενώ τραβάτε τη σκανδάλη διακόπτη και μετά αφήστε τη σκανδάλη διακόπτη.

► **Εικ.22:** 1. Κουμπί ασφάλισης 2. Σκανδάλη διακόπτη

ΠΑΡΑΤΗΡΗΣΗ: Ενώ επιλέγετε τον τρόπο λειτουργίας κίνησης με ώθηση και ασφαλίσετε τη σκανδάλη στην ενεργή θέση, το μοτέρ δεν περιστρέφεται χωρίς φορτίο, για να ελαχιστοποιηθεί η κατανάλωση ενέργειας.

3. Κρατήστε το εργαλείο ισόπεδα επάνω στην επιφάνεια βιδώματος και εφαρμόστε εμπρόςθια πίεση στο εργαλείο.

Μια βίδα θα μεταφερθεί αυτόματα στη θέση βιδώματος και θα βιδωθεί με πλήρη ταχύτητα.

► **Εικ.23**

Βιδωμα σε γωνία

▲ΠΡΟΣΟΧΗ: Το βιδωμα σε θέση που βρίσκεται σε απόσταση μικρότερη από 15 mm από έναν τοίχο ή το βιδωμα με την ανασταλτική βάση σε επαφή με τον τοίχο μπορεί να προκαλέσει ζημιά στις κεφαλές βίδες και να προκαλέσει φθορά στη μύτη βιδώματος. Αυτό μπορεί επίσης να οδηγήσει σε κακή στερέωση των βιδών και δυσλειτουργία του εργαλείου.

Το εργαλείο αυτό μπορεί να χρησιμοποιηθεί για βιδωμα σε θέση που βρίσκεται σε απόσταση 15 mm από τον τοίχο όπως απεικονίζεται στην εικόνα.

► **Εικ.24:** 1. Τοίχος 2. Ανασταλτική βάση 3. 15 mm

Λειτουργία αφαίρεσης

▲ΠΡΟΣΟΧΗ: Να ελέγχετε πάντα τη διεύθυνση περιστροφής πριν από τη λειτουργία.

▲ΠΡΟΣΟΧΗ: Να χρησιμοποιείτε τον διακόπτη αντιστροφής μόνο αφού το εργαλείο σταματήσει εντελώς. Η αλλαγή της διεύθυνσης περιστροφής πριν σταματήσει το εργαλείο μπορεί να προκαλέσει ζημιά στο εργαλείο.

Το εργαλείο σας επιτρέπει να αλλάζετε την κατεύθυνση της περιστροφής της μύτης βιδώματος με ευκολία, είτε προς τα δεξιά (δεξιόστροφα) για να σφίξετε μια βίδα είτε προς τα αριστερά (αριστερόστροφα) για να χαλαρώσετε μια βίδα.

1. Πατήστε τον μοχλό διακόπτη αντιστροφής από την πλευρά Β για αριστερόστροφη περιστροφή.

► **Εικ.25:** 1. Μοχλός διακόπτη αντιστροφής

2. Πατήστε παρατεταμένα τα κουμπιά ελευθέρωσης σε κάθε πλευρά της θήκης και, στη συνέχεια, τραβήξτε και διαχωρίστε τη θήκη.

► **Εικ.26:** 1. Κουμπιά ελευθέρωσης 2. Θήκη

3. Τοποθετήστε το άκρο της μύτης βιδώματος στην κεφαλή της βίδας προς χαλάρωση.

4. Κρατήστε το εργαλείο σταθερά επάνω στη βίδα και πιέστε τη σκανδάλη διακόπτη για εκκίνηση.

► **Εικ.27:** 1. Μύτη βιδώματος 2. Κεφαλή βίδας

3. Σκανδάλη διακόπτη

5. Τοποθετήστε ξανά τη θήκη επάνω στο περιβλήμα οδοντοτροχών μέχρι να ασφαλίσει στη θέση της μετά τη λειτουργία τελειώματος.

ΣΥΝΤΗΡΗΣΗ

▲ΠΡΟΣΟΧΗ: Πριν την εκτέλεση εργασιών επιθεώρησης ή συντήρησης, πάντοτε να βεβαιώνετε ότι η συσκευή απενεργοποιήθηκε και η κασέτα μπαταρίας έχει αφαιρεθεί.

ΕΙΔΟΠΟΙΗΣΗ: Μην χρησιμοποιείτε ποτέ βενζίνη, πετρελαϊκό αιθέρα, διαλυτικό, αλκοόλη ή παρόμοιες ουσίες. Μπορεί να προκληθεί αποχρωματισμός, παραμόρφωση ή ρωγμές.

Για τη διατήρηση της ΑΣΦΑΛΕΙΑΣ και ΑΞΙΟΠΙΣΤΙΑΣ του προϊόντος, οι επισκευές και οποιαδήποτε άλλη εργασία συντήρησης ή ρύθμισης πρέπει να εκτελούνται από εξουσιοδοτημένα ή εργοστασιακά κέντρα εξυπηρέτησης της Makita, χρησιμοποιώντας πάντοτε ανταλλακτικά της Makita.

Μετά τη χρήση

Σκουπίστε το εργαλείο χρησιμοποιώντας ένα στεγνό πανί ή ένα πανί λίγο υγραμένο με σαπουνόνερο σε τακτά χρονικά διαστήματα.

ΠΡΟΑΙΡΕΤΙΚΑ ΕΞΑΡΤΗΜΑΤΑ

▲ΠΡΟΣΟΧΗ: Αυτά τα εξαρτήματα ή προσαρτήματα συνιστώνται για χρήση με το εργαλείο Makita που περιγράφηκε στις οδηγίες αυτές. Η χρήση οποιωνδήποτε άλλων εξαρτημάτων ή προσαρτημάτων μπορεί να προκαλέσει κίνδυνο τραυματισμού σε άτομα. Να χρησιμοποιείτε τα εξαρτήματα ή προσαρτήματα μόνο για την χρήση που προορίζονται.

Εάν χρειάζεστε οποιαδήποτε βοήθεια για περισσότερες πληροφορίες σε σχέση με αυτά τα εξαρτήματα, απαντήστε στο τοπικό σας κέντρο εξυπηρέτησης Makita.

- Γεμιστήρας βιδών γυφωσανίδας
- Μύτη Phillips
- Τετράγωνη μύτη
- Μύτη rozidriv
- Θήκη
- Γνήσια μπαταρία και φορτιστής της Makita

ΠΑΡΑΤΗΡΗΣΗ: Μερικά στοιχεία στη λίστα μπορεί να συμπεριλαμβάνονται στη συσκευασία εργαλείου ως στάνταρ εξαρτήματα. Μπορεί να διαφέρουν ανάλογα με τη χώρα.

TEKNİK ÖZELLİKLER

Model:	DFR452	DFR453	DFR551	DFR552
Vida şeridi	ø3,5 mm x 20 mm - ø4,2 mm x 41 mm		ø3,5 mm x 25 mm - ø4,2 mm x 55 mm	
Yüksüz hız	0 - 6.000 min ⁻¹	0 - 4.500 min ⁻¹	0 - 6.000 min ⁻¹	0 - 4.500 min ⁻¹
Tam uzunluk	360 mm		396 mm	
Anma voltajı	D.C. 18 V			
Net ağırlık	1,9 - 2,2 kg			

- Sürekli yapılan araştırma ve geliştirmelerden dolayı, burada belirtilen özellikler önceden bildirilmeksizin değiştirilebilir.
- Özellikler ülkeden ülkeye değişebilir.
- Ağırlık, ekli aksesuar/aksesuarlara ve batarya kartuşuna bağlı olarak farklılık gösterebilir. EPTA-Prosedürü 01/2014'e göre en hafif ve en ağır kombinasyonlar tabloda verilmiştir.

Geçerli batarya kartuşu ve şarj aleti

Batarya kartuşu	BL1815N / BL1820B / BL1830B / BL1840B / BL1850B / BL1860B
Şarj aleti	DC18RC / DC18RD / DC18RE / DC18SD / DC18SE / DC18SF / DC18SH / DC18WC

- Yukarıda listelenen batarya kartuşlarının ve şarj aletlerinin bazıları yaşadığınız bölgeye bağlı olarak mevcut olmayabilir.

UYARI: Sadece yukarıda listelenen batarya kartuşlarını ve şarj aletlerini kullanın. Başka batarya kartuşlarının ve şarj aletlerinin kullanılması yaralanma ve/veya yangına neden olabilir.

Kullanım amacı

Bu alet ahşap, metal ve plastik malzemede vidalama işlemleri için kullanılması amaçlanmıştır.

Gürültü

Tipik A-ağırlıklı gürültü düzeyi (EN62841-2-2 standardına göre belirlenen):

Model	Ses basıncı seviyesi (L _{PA}): (dB (A))	Belirsizlik (K): (dB (A))
DFR452	78	3
DFR453	79	3
DFR551	77	3
DFR552	78	3

İşlem sırasında gürültü seviyesi 80 dB (A)'yi geçebilir.

NOT: Beyan edilen gürültü emisyonu değer(ler)i bir standart test yöntemine uygun şekilde ölçülmüştür ve bir aleti bir başkasıyla karşılaştırmak için kullanılabilir.

NOT: Beyan edilen gürültü emisyonu değer(ler)i bir ön maruz kalma değerlendirmesi olarak da kullanılabilir.

UYARI: Kulak koruyucuları takın.

UYARI: Elektrikli aletin gerçek kullanımı sırasındaki gürültü emisyonu, aletin kullanım biçimlerine, özellikle işlenen iş parçasının türüne bağlı olarak beyan edilen değer(ler)den farklı olabilir.

UYARI: Gerçek kullanım koşullarındaki tahmini maruziyeti baz alan, operatörü koruyacak güvenlik önlemlerini mutlaka belirleyin (çalışma döngüsü içerisinde aletin kapalı olduğu ve aktif durumda olmasının yanı sıra boşta çalıştığı zamanlar gibi, bütün zaman dilimleri göz önünde bulundurarak).

Titreşim

Titreşim toplam değeri (üç eksenli vektör toplamı) (EN62841-2-2 standardına göre hesaplanan):

Çalışma modu: normal yan kavrama kolu ile yüzey taşlama

Model	Titreşim emisyonu (a _n): (m/s ²)	Belirsizlik (K): (m/s ²)
DFR452	2,5 m/s ² den az	1,5 m/s ²
DFR453		
DFR551		
DFR552		

NOT: Beyan edilen titreşim toplam değer(ler)i bir standart test yöntemine uygun şekilde ölçülmüştür ve bir aleti bir başkasıyla karşılaştırmak için kullanılabilir.

NOT: Beyan edilen titreşim toplam değer(ler)i bir ön maruz kalma değerlendirmesi olarak da kullanılabilir.

⚠UYARI: Elektrikli aletin gerçek kullanımı sıradındaki titreşim emisyonu, aletin kullanım biçimlerine, özellikle işlenen iş parçasının türüne bağlı olarak beyan edilen değer(ler)den farklı olabilir.

⚠UYARI: Gerçek kullanım koşullarındaki tahmini maruziyeti baz alan, operatörü koruyacak güvenlik önlemlerini mutlaka belirleyin (çalışma döngüsü içerisinde aletin kapalı olduğu ve aktif durumda olmasının yanı sıra boşta çalıştığı zamanlar gibi, bütün zaman dilimleri göz önünde bulundurarak).

Uygunluk Beyanları

Sadece Avrupa ülkeleri için

Uygunluk beyanları bu kullanma kılavuzunda Ek A olarak eklenmiştir.

GÜVENLİK UYARILARI

Genel elektrikli alet güvenliği uyarıları

⚠UYARI Bu elektrikli aletle birlikte verilen tüm güvenlik uyarılarını, talimatları, resimli açıklamaları ve teknik özellikleri okuyun. Aşağıda listelenen talimatların herhangi birine uyulmaması elektrik çarpması, yangın ve/veya ciddi yaralanma ile sonuçlanabilir.

Tüm uyarıları ve talimatları ile-ride başvurmak için saklayın.

Uyarılardaki "elektrikli alet" terimi ile ya prizden çalışan (kordonlu) elektrikli aletiniz ya da kendi aküsü ile çalışan (kordonsuz) elektrikli aletiniz kastedilmektedir.

Akülü tornavida güvenlik uyarıları

1. **Tespit elemanının görünmeyen kablolarla temas etme olasılığı bulunan yerlerde çalışırken elektrikli aleti yalıtımlı kavrama yüzeylerinden tutun.** Tespit elemanlarının "akımlı" bir tele temas etmesi, elektrikli aletin yalıtımsız metal kısımlarını "akımlı" hale getirebilir ve kullanıcıyı elektrik şokuna maruz bırakabilir.
2. **Her zaman yere sağlam basın.** Aleti yüksekte kullandığınızda, altından kimse- nin olmadığından emin olun.
3. **Aleti sıkıca tutun.**
4. **Ellerinizi dönen parçalardan uzak tutun.**
5. **Kullanılan ucu veya iş parçasını işlem- den hemen sonra ellemeyin; bunlar çok sıcak olup derinizi yakabilir.**
6. **İş parçalarını daima bir mengine ya da benzer sıkıştırma aygıtlarıyla sabitleyin.**
7. **Aletin kullanımından dolayı hasar görmesi halinde tehlikeye yol açabilecek elektrik kabloları, su boruları, gaz boruları, vb. olmadığından emin olun.**

BU TALİMATLARI SAKLAYIN.

⚠UYARI: Ürünü kullanırken (defalarca kullanınca kazanılan) rahatlık ve tanıdıklık duygusunun ilgili ürünün güvenlik kurallarına sıkı sıkıya bağlı kalmanın yerine geçmesine İZİN VERMEYİN.

YANLIŞ KULLANIM veya bu kullanma kılavuzunda belirtilen emniyet kurallarına uymama ciddi yaralanmaya neden olabilir.

Batarya kartuşu hakkında önemli güvenlik talimatları

1. **Batarya kartuşunu kullanmadan önce, tüm talimatları ve (1) batarya kartuşu, (2) batarya ve (3) ürün üzerindeki tüm uyarı işaretlerini okuyun.**
2. **Batarya kartuşunu parçalarına ayırmayın veya kurcalamayın.** Yangın, aşırı ısı veya patlamaya neden olabilir.
3. **Çalışma süresi aşırı derecede kısalırsa kullanmayı derhal bırakın. Aşırı ısınma, yanma riski hatta patlamaya neden olabilir.**
4. **Gözünüze elektrolit kaçarsa, gözlerinizi temiz suyla durulayın ve hemen tıbbi yardım alın. Görme kaybına yol açabilir.**
5. **Batarya kartuşuna kısa devre yaptırmayın:**
 - (1) Terminallere herhangi bir iletken madde de-ğdirmeyin.
 - (2) Batarya kartuşunu çiviler, madeni paralar, vb. gibi başka metal nesnelere aynı kaba koymaktan kaçının.
 - (3) Batarya kartuşunu yağmura ya da suya maruz bırakmayın.**Kısa devre, büyük bir akım akışına, aşırı ısınmaya, olası yanıklara hatta bataryanın bozulmasına yol açabilir.**
6. **Aleti ve batarya kartuşunu sıcaklığın 50°C ya da daha yüksekçe ulaştığı yerlerde saklamayın ve kullanmayın.**
7. **Aşırı derecede hasar görmüş ya da tamamen kullanılamaz durumda olsa bile batarya kartuşunu yakmayın. Batarya kartuşu ateşe atılırsa patlayabilir.**
8. **Batarya kartuşunu çivilemeyin, kesmeyin, ezmeyin, fırlatmayın, düşürmeyin ya da batarya kartuşuna sert bir nesne ile vurmayın.** Bu eylemler yangın, aşırı ısı veya patlamaya neden olabilir.
9. **Hasarlı bataryayı kullanmayın.**
10. **Aletin içerdığı lityum-iyon bataryalar Tehlikeli Eşyalar Yönetmeliğinin gereksinimlerine tabidir.**

Ticarî nakliye işlemleri için, örneğin üçüncü taraf- lar, nakliye acenteleri tarafından yapılan nakliye- lerde, paketleme ve etiketleme gereksinimleri- ne uyulmalıdır.

Nakliyesi yapılacak ürünün hazırlanması için, tehlikeli maddeler konusunda uzman bir kişiye danışın. Lütfen muhtemelen daha ayrıntılı olan ulusal yönetmeliklere de uyun.

Açık kontakları bantlayın ya da maskeleyin ve bataryayı paketin içinde hareket etmeyecek şekilde paketleyin.

11. Batarya kartuşunu bertaraf ederken aletten çıkarın ve güvenli bir yerde bertaraf edin. Bataryanın bertaraf edilmesi ile ilgili yerel düzenlemelere uyunuz.
12. Bataryaları sadece Makita tarafından belirtilen ürünlerle kullanın. Bataryaların uyumsuz ürünlere takılması; yangın, aşırı ısınma, patlama ya da elektrolit sızıntısına neden olabilir.
13. Alet uzun süre kullanılmıyacaksa batarya aletten çıkarılmalıdır.
14. Kullanma sırasında ve sonrasında batarya kartuşu ısınarak yanıklara veya düşük sıcaklık yanıklarına yol açabilir. Sıcak batarya kartuşları ile işlem yaparken dikkat edin.
15. Yanıklara neden olabilecek kadar sıcak olabileceğinden kullandıktan hemen sonra aletin terminaline dokunmayın.
16. Batarya kartuşunun terminallerine, deliklerine ve kanallarına micir, toz veya toprak girmesine izin vermeyin. Aletin veya batarya kartuşunun ısınmasına, alev almasına, patlamasına ve arızalanmasına neden olarak yanıklara veya yaralanmaya yol açabilir.
17. Alet yüksek gerilim elektrik güç hatları yakınında kullanımı desteklemediği sürece batarya kartuşunu yüksek gerilim elektrik güç hatlarının yakınında kullanmayın. Aletin veya batarya kartuşunun arızalanmasına veya bozulmasına neden olabilir.
18. Bataryayı çocuklardan uzak tutun.

BU TALİMATLARI MUHAFAZA EDİNİZ.

⚠DİKKAT: Sadece orijinal Makita bataryalarını kullanın. Orijinal olmayan Makita bataryaları ya da üzerine değişiklik yapılmış bataryaların kullanımı bataryanın patlamasına ve sonuç olarak yangın, kişisel yaralanma ve hasara neden olabilir. Ayrıca Makita aleti ve şarj aletinin Makita tarafından sunulan garantisi de geçersiz olur.

Maksimum batarya ömrü için ipuçları

1. Batarya kartuşunu tamamen boşalmadan önce şarj edin. Aletin gücünün zayıflamaya başladığını fark ettiğinizde aleti durdurun ve batarya kartuşunu şarj edin.
2. Tam dolu bir batarya kartuşunu asla yeniden şarj etmeyin. Aşırı şarj etme bataryanın hizmet ömrünü kısaltır.
3. Batarya kartuşunu 10 °C - 40 °C oda sıcaklığında şarj edin. Sıcak bir batarya kartuşunu şarj etmeden önce soğumasını bekleyin.
4. Batarya kartuşunu kullanmıyorken aletten veya şarj aletinden çıkarın.
5. Uzun bir süre (altı aydan daha fazla) kullanmadığınız durumlarda batarya kartuşunu şarj edin.

İŞLEVSEL AÇIKLAMA

⚠DİKKAT: Alet üzerinde ayarlama veya işleyiş kontrolü yapmadan önce aleti kapalı ve batarya kartuşunun ayrılmış olduğundan daima emin olun.

Batarya kartuşunun takılması ve çıkarılması

⚠DİKKAT: Batarya kartuşunu takmadan ya da çıkarmadan önce aleti daima kapatın.

⚠DİKKAT: Batarya kartuşunu takarken veya çıkarırken aleti ve batarya kartuşunu sıkıca tutun. Aletin ve batarya kartuşunun sıkıca tutulmaması bunların düşürülmesine sebep olabilir ve alet ve batarya kartuşunun zarar görmesine ya da ciddi yaralanmasına yol açabilir.

Batarya kartuşunu takmak için, batarya kartuşu üzerindeki dili yuvanın oluğu ile hizalayın ve kartuşu yerine oturtun. Kartuşu, küçük bir tık sesi ile yerine sabitlenene dek sonuna kadar ittirin. Şekilde gösterildiği gibi kırmızı göstergeli görebiliyorsanız tam olarak kilitlenmemiş demektir.

Batarya kartuşunu çıkarmak için, kartuşun ön tarafındaki düğmeyi kaydırarak kartuşu aletten çıkarın.

► **Şek.1:** 1. Kırmızı gösterge 2. Düğme 3. Batarya kartuşu

⚠DİKKAT: Batarya kartuşunu daima kırmızı gösterge görünmeyecek şekilde tam olarak takın. Yerine tam oturmazsa, aletten yanlışlıkla düşebilir, sizin ya da çevrenizdeki kişilerin yaralanmasına neden olabilir.

⚠DİKKAT: Batarya kartuşunu zorlayarak takmayın. Kartuş kolay bir şekilde kaymıyorsa doğru yerleştirilmemiş demektir.

Alet/batarya koruma sistemi

Bu alet bir alet/batarya koruma sistemi ile donatılmıştır. Bu sistem motora giden gücü otomatik olarak keserek uzun alet ve batarya ömrü sağlar. Alet veya batarya için aşağıdaki durumlardan biri söz konusu olduğunda aletin işleyişi otomatik olarak durur:

Aşırı yük koruması

Alet/batarya, anormal derecede yüksek akım çekmesine neden olacak şekilde çalıştırılırsa alet otomatik olarak durur. Bu durumda aleti kapatın ve aletin aşırı yüklenmesine neden olan uygulamayı kesin. Arından aleti açarak yeniden çalıştırın.

Aşırı ısınma koruması

Alet/batarya aşırı ısındığında, alet otomatik olarak durur. Bu durumda, yeniden çalıştırmadan önce aletin bataryanın soğumasını bekleyin.

Aşırı deşarj koruması

Batarya kapasitesi yeterli olmadığında, alet otomatik olarak durur. Bu durumda, bataryayı aletten çıkarın ve bataryayı tekrar şarj edin.

Diğer nedenlere karşı korumalar

Koruma sistemi, alete zarar verebilecek diğer nedenler için de tasarlanmıştır ve aletin otomatik olarak durmasını sağlar. Alet çalışırken geçici duraklama ve durma yaparsa nedenleri ortadan kaldırmak için aşağıdaki tüm adımları uygulayın.

1. Aleti kapatın ve ardından tekrar açarak yeniden çalıştırın.
2. Bataryaları şarj edin veya şarjlı bataryalarla değiştirin.
3. Aletin ve bataryaların soğumasını bekleyin.

Koruma sistemi eski haline getirilerek ilerleme kaydedilemezse yerel Makita Servis Merkezimize başvurun.

Uyarı göstergesi

İterek çalıştırma modu seçicisi üzerindeki gösterge lambası, alet aşağıdaki çalışma koşullarında çalışırken yanıp sönen kırmızı ışıklarla bir uyarı verir.

► **Şek.2:** 1. Gösterge lambası

Lamba durumu	Nedenler	Çözümler
Hızlı yanıp sönmeye (yaklaşık saniyenin üçte biri aralıklarla)	Batarya azalıyor	Bataryayı ilk fırsatta şarj edin.
Gecikmeli yanıp sönmeye (yaklaşık bir saniye aralıklarla)	Aşırı ısınma	Aleti tekrar açmadan önce soğumasını bekleyin.

NOT: Batarya durumuna ve çalışma koşullarına bağlı olarak bir aşırı deşarj uyarısı belirebilir.

Kalan batarya kapasitesinin gösterilmesi

Sadece göstergeli batarya kartuşları için

Kalan batarya kapasitesini göstermesi için batarya kartuşu üzerindeki kontrol düğmesine basın. Gösterge lambaları birkaç saniye yanar.

► **Şek.3:** 1. Gösterge lambaları 2. Kontrol düğmesi

Gösterge lambaları			Kalan kapasite
Yanıyor	Kapalı	Yanıp söniyor	
			%75 ila %100
			%50 ila %75
			%25 ila %50
			%0 ila %25
			Bataryayı şarj edin.
			Batarya arızalanmış olabilir.

NOT: Kullanım koşullarına ve ortam sıcaklığına bağlı olarak, gösterilen değer gerçek kapasiteden biraz farklılık gösterebilir.

NOT: İlk (en soldaki) gösterge lambası, batarya koruma sistemi çalıştığı anda yanıp söner.

İstenen vida uzunluklarının ayarlanması

Model DFR452 / DFR453 için

Alet 4 pozitif kilitlemeli vida uzunluğu ayarı sağlar. İstenen vida uzunluğu numarasının (etikette belirtilir) okuma penceresinde belirmesi için durdurucu kaidesinin üst yüzeyindeki mandallara bastırırken durdurucu kaidesini içeri dışarı kaydırın. İsteddiğiniz vida uzunluklarına tahsis edilen numaraların ayrıntıları için aşağıdaki tabloya bakın.

► **Şek.4:** 1. Durdurucu kaidesi 2. Mandallar 3. Etiket 4. Okuma penceresi

Etikette belirtilen numaralar	Vida uzunluğu aralıkları
20	20 mm (13/16")
25	25 mm - 28 mm (1" - 1-1/8")
32	28 mm - 35 mm (1-1/8" - 1-3/8")
41	35 mm - 41 mm (1-3/8" - 1-5/8")

Model DFR551 / DFR552 için

Alet 7 pozitif kilitlemeli vida uzunluğu ayarı sağlar. İstenen vida uzunluğu numarasının (etikette belirtilir) okuma penceresinde belirmesi için durdurucu kaidesinin üst yüzeyindeki mandallara bastırırken durdurucu kaidesini içeri dışarı kaydırın. İsteddiğiniz vida uzunluklarına tahsis edilen numaraların ayrıntıları için aşağıdaki tabloya bakın.

► **Şek.5:** 1. Durdurucu kaidesi 2. Mandallar 3. Etiket 4. Okuma penceresi

Etikette belirtilen numaralar	Vida uzunluğu aralıkları
25	25 mm (1")
30	25 mm - 30 mm (1" - 1-3/16")
35	30 mm - 35 mm (1-3/16" - 1-3/8")
40	35 mm - 40 mm (1-3/8" - 1-9/16")
45	40 mm - 45 mm (1-9/16" - 1-3/4")
50	45 mm - 50 mm (1-3/4" - 2")
55	50 mm - 55 mm (2" - 2-3/16")

Vidalama derinliğinin ayarlanması

Durdurucu kaidesinin ön yüzüne basın ve besleyici kutusunu, muhafazanın içinde gidebildiği kadar aşağıda tutun. O konumda tutarken tornavida ucu, durdurucu kaidesinin ön yüzünden yaklaşık 6 mm çıkacak şekilde ayarlama çarkını çevirin.

Bir deneme vidası vidalayın. Vida başı iş parçasının yüzeyinden yukarda kalırsa ayarlama çarkını A yönünde çevirin; vida başı yüzeyin altında kalırsa ayarlama çarkını B yönünde çevirin.

► **Şek.6:** 1. Yaklaşık 6 mm 2. Durdurucu kaidesi 3. Besleyici kutusu 4. Muhafaza 5. Ayarlama çarkı

Anahtar işleyişi

⚠UYARI: Batarya kartuşunu alete takmadan önce anahtar tetiğın doğru çalıştığından ve bıkıldığında "OFF" (kapalı) konumuna döndüğünden emin olun.

Aleti çalıştırmak için, anahtar tetiği çekin. Aletin çalışma hızı, anahtar tetiğie uygulanan baskı artırılarak arttırılır. Aleti durdurmak için anahtar tetiği bırakın. Sürekli çalıştırma için, anahtar tetiği çekin, kilitleme düğmesini itin ve ardından tetiği serbest bırakın. Aleti kilitli pozisyonundan çıkarmak için anahtar tetiği sonuna kadar çekin ve ardından bırakın.

► **Şek.7:** 1. Anahtar tetik 2. Kilitleme düğmesi

Ters döndürme anahtarı işleyişi

⚠DİKKAT: Kullanmadan önce dönüş yönünü daima kontrol edin.

⚠DİKKAT: Ters döndürme anahtarını sadece alet tamamen durduktan sonra kullanın. Dönüş yönünün alet durmadan önce değiştirilmesi alete zarar verebilir.

⚠DİKKAT: Aleti kullanmadığınız zaman, ters döndürme anahtarını daima nötr konumuna ayarlayın.

Bu aletin dönüş yönünü değiştirmek için bir ters döndürme anahtarı vardır. Ters döndürme anahtarına saat yönünde dönüş için A tarafından tersi yönde dönüş içinse B tarafından bastırın.

Ters döndürme anahtarı nötr konumundayken tetik anahtar çekilemez.

► **Şek.8:** 1. Ters döndürme anahtarı kolu

İterek çalıştırma modu

İterek çalıştırma modunda tornavida ucu sadece durdurucu kaidesi ile vidalama yüzeyine basınç uygulanarak döner, böylece aletin motora giden gücü keserek boş-tayken batarya gücünden tasarruf etmesini sağlar.

İterek çalıştırma modunu seçmek için, anahtar tetiği hafifçe çekin, ardından bırakın ve hemen mod seçme düğmesine basın. Ardından iterek çalıştırma modu seçicisi üzerindeki gösterge lambası yanar.

► **Şek.9:** 1. Mod seçme düğmesi 2. Gösterge lambası

NOT: İterek çalıştırma modu, anahtar tetik kilitli durumda ve başka anahtar işlemi yapılmadığında sekiz saat sonra otomatik olarak devre dışı bırakılır. Aleti yeniden başlatmak için anahtar tetiği sonuna kadar çekerek kilitleme düğmesini serbest bırakın ve tetiği yeniden çekin.

İstemsiz yeniden başlatma önleyici işlev

Batarya kartuşunu anahtar tetiği çekerken taksanız bile alet çalışmaz.

Aleti başlatmak için önce anahtar tetiği bırakın ve ardından anahtar tetiği çekin.

MONTAJ

⚠DİKKAT: Alet üzerinde herhangi bir iş yapmadan önce aletin kapalı ve batarya kartuşunun ayrılmış olduğundan daima emin olun.

Tornavida ucunun takılması ve çıkarılması

⚠DİKKAT: Bileşenleri ve ek parçaları yeniden monte ederken vidaların keskin uçlarına dokunmamaya dikkat edin.

⚠DİKKAT: Aksesuarları ve ek parçaları dikkatle tutun. Takıp çıkarırken aksesuar ve ek parça gövdesini her zaman mutlaka sıkıca tutun. Aksi takdirde aksesuar ve ek parçalar elinizden kayarak düşebilir.

⚠DİKKAT: Ek parçaları takıp çıkarırken muhafazayı tutun.

⚠DİKKAT: Ucu değiştirirken aleti mutlaka kapattın ve batarya kartuşunu çıkarın.

Tornavida ucunun takılması

1. Bir tornavida ucu takmak için mili dişli kutusunun içine ittirip tutarak tornavida ucunu mil deliğine sonuna kadar sokun. Sonra tornavida ucunu sabitlemek için mili serbest bırakın.

► **Şek.10:** 1. Tornavida ucu 2. Mil 3. Dişli kutusu

2. Muhafazanın her iki tarafındaki serbest bırakma düğmeleri hafif bir tıklamayla yerlerine kilitlene kadar muhafazanın gövdesini sıkıca tutarak muhafazayı dişli kutusuna ittirerek sokun.

► **Şek.11:** 1. Muhafaza 2. Serbest bırakma düğmeleri

Tornavida ucunun çıkarılması

1. Muhafazanın her iki tarafındaki serbest bırakma düğmelerine basıp basılı tutun ve ardından muhafazayı çekip ayırın.

► **Şek.12:** 1. Serbest bırakma düğmeleri 2. Muhafaza

2. Tornavida ucunu çıkarmak için mili dişli kutusunun içine ittirip tutarak tornavida ucunu dışarı çekin.

► **Şek.13:** 1. Tornavida ucu 2. Mil 3. Dişli kutusu

Vida şeridinin takılması

⚠DİKKAT: Vida şeridini keserken aleti mutlaka kapatın ve batarya kartuşunu çıkarın.

Muhafaza üzerindeki vida şeridi kılavuzu aracılığıyla bir vida şeridini takın ve ardından besleyici kutusundaki vida yükleme kılavuzu aracılığıyla yerleştirin.

► **Şek.14:** 1. Vida şeridi 2. Vida şeridi kılavuzu 3. Muhafaza 4. Vida yükleme kılavuzu 5. Besleyici kutusu

ÖNEMLİ NOT: İlk vidayı vidalama konumunun yanındaki ikinci sıraya getirdiğinizden emin olun.

► **Şek.15:** 1. İlk vida 2. Vidalama konumu

Vida şeridinin çıkarılması

⚠ DİKKAT: Ek parçayı çıkarmadan önce daima vida şeridini çıkarın.

Vida şeridini çıkarmak için besleyici kutusundan dışarı yukarıya doğru çekin.

► **Şek.16**

Vida şeridi, besleyici kutusundaki yön değiştirme düğmesine basılarak besleyici kutusundan dışarı aşağı doğru çekilebilir.

► **Şek.17:** 1. Yön değiştirme düğmesi 2. Besleyici kutusu

Kancanın takılması

⚠ UYARI: Asma/montaj parçalarını yalnızca kullanım amaçlarına uygun kullanın, örneğin işler arasında ve iş aralarında aleti bir alet kemerine asmak gibi.

⚠ UYARI: Çok fazla yük veya düzensiz fazla yüklenme aletin hasar görmesine neden olarak yaralanmaya yol açabileceği için kancayı aşırı yüklemeye dikkat edin.

⚠ DİKKAT: Kancayı takarken kancayı daima vida ile iyice sabitleyin. Sabitlenmezse kanca aletten çıkabilir ve yaralanmaya neden olabilir.

⚠ DİKKAT: Tutmayı bırakmadan önce aleti güvenli bir şekilde astığınızdan emin olun. Yetersiz veya dengesiz takmak düşmeye ve yaralanmanıza neden olabilir.

► **Şek.18:** 1. Oluk 2. Kanca 3. Vida

Kanca aletin geçici bir süre aşılmasına yarar. Bu kanca aletin her iki yanına da takılabilir. Kancayı takmak için, onu alet gövdesinin her iki yanındaki oluklardan birine geçirin ve sonra bir vida ile sabitleyin. Çıkarmak için, vidayı gevşetin ve sonra dışarı çekip alın.

Delik kullanımı

⚠ UYARI: Askı deliğini örneğin aleti yüksek yerlere bağlamak gibi amacı dışında asla kullanmayın. Aşırı derecede yüklenmiş bir delikteki dayanma gerilmesi deliğe zarar vererek sizin veya etrafınızdaki ya da altınızdaki kişilerin yaralanmasına yol açabilir.

Aletin alt arka kısmındaki askı deliğini, bir askı kordonu veya benzeri iplerle aleti duvara asmak için kullanın.

► **Şek.19:** 1. Askı deliği

KULLANIM

Vidalama işlemi

ÖNEMLİ NOT: Vidalama işlemlerinden önce tornavida ucunu aşınmaya karşı her zaman dikkatlice kontrol edin. Aşınmış tornavida ucunu değiştirin, aksi takdirde yetersiz vidalamaya neden olabilir.

ÖNEMLİ NOT: Aleti her zaman vidalama yüzeyine dayayarak dümdüz tutun. Açık yapacak şekilde tutulması vida başlarına zarar verebilir ve tornavida ucunda aşınmaya neden olabilir. Yetersiz vidalamaya da yol açabilir.

ÖNEMLİ NOT: Aleti vidalama bitene kadar mutlaka vidalama yüzeyine dayayarak sıkıca tutun. Aksi takdirde vidaların yetersiz vidalanmasına neden olabilir.

ÖNEMLİ NOT: Önceden vidalanmış bir vidanın üzerine başka bir vida vidalamamaya dikkat edin.

ÖNEMLİ NOT: Aleti vida olmadan çalıştırmayın. Vidalama yüzeyine zarar verir.

ÖNEMLİ NOT: Besleyici kutusunun kayma yüzeyine yağ veya gres sürmeyin.

Anahtar tetiği çekerek aleti açın. Aleti vidalama yüzeyine dayayarak dümdüz ve sıkıca tutun. Vidalama konumuna bir vida otomatik olarak taşınacak ve vidalanacaktır.

► **Şek.20**

İterek çalıştırma modunda vidalama işlemi

1. Anahtar tetiği hafifçe çekip bırakın. Ardından mod seçme düğmesine hızlıca basın.

İterek çalıştırma modu seçicisi üzerindeki göstergelambası yanar ve iteret çalıştırma modu etkinleşir.

► **Şek.21:** 1. Mod seçme düğmesi 2. Göstergelambası

2. Anahtar tetiği çekerken kilitleme düğmesine basın ve ardından anahtar tetiği bırakın.

► **Şek.22:** 1. Kilitleme düğmesi 2. Anahtar tetik

NOT: İterek çalıştırma modunu seçip tetiği açık olarak kilitletken güç tüketimini en aza indirmek için motor yüksüz durumda dönmez.

3. Aleti vidalama yüzeyine dayayarak dümdüz tutun ve alete ileriye doğru basınç uygulayın.

Vida vidalama konumuna otomatik olarak taşınacak ve tam hızda vidalanacaktır.

► **Şek.23**

Köşede vidalama

⚠DİKKAT: Duvara 15 mm'den daha yakın bir konumda vidalama veya durdurucu kaidesi duvara temas ederken vidalama vida başlarına zarar verebilir ve tornavida ucunda aşınmaya neden olabilir. Bu vidaların yetersiz vidalanmasına ve aletin arızalanmasına da yol açabilir.

Bu alet, şekilde gösterildiği gibi duvardan 15 mm uzakta bir konumda vidalamak için kullanılabilir.

► **Şek.24:** 1. Duvar 2. Durdurucu kaidesi 3. 15 mm

Sökme işlemi

⚠DİKKAT: Kullanmadan önce dönüş yönünü daima kontrol edin.

⚠DİKKAT: Ters döndürme anahtarını sadece alet tamamen durduktan sonra kullanın. Dönüş yönünün alet durmadan önce değiştirilmesi alete zarar verebilir.

Alet tornavida ucu dönüş yönünü kolayca değiştirmenizi sağlar, vidayı sıkmak için sağa doğru (saat yönünde) veya vidayı gevşetmek için sola doğru (saatin aksi yönünde).

1. Saatin aksi yönünde dönüş için ters döndürme anahtarı koluna B tarafından bastırın.

► **Şek.25:** 1. Ters döndürme anahtarı kolu

2. Muhafazanın her iki tarafındaki serbest bırakma düğmelerine basıp basılı tutun ve ardından muhafazayı çekip ayırın.

► **Şek.26:** 1. Serbest bırakma düğmeleri 2. Muhafaza

3. Tornavida ucunun ucunu gevşetilecek vidanın başına yerleştirin.

4. Aleti vidaya dayayarak sıkıca tutun ve başlamak için anahtar tetiği çekin.

► **Şek.27:** 1. Tornavida ucu 2. Vida başı 3. Anahtar tetik

5. İşlemi bitirdikten sonra yerine kilitlemeye kadar muhafazayı dışı kutusuna yeniden takın.

BAKIM

⚠DİKKAT: Muayene ya da bakım yapmadan önce aletin kapalı ve batarya kartuşunun çıkartılmış olduğundan daima emin olun.

ÖNEMLİ NOT: Benzin, tiner, alkol ve benzeri maddeleri kesinlikle kullanmayın. Renk değişimi, deformasyon veya çatlaklar oluşabilir.

Aleti EMNİYETLİ ve ÇALIŞMAYA HAZIR durumda tutmak için onarımlar, başka her türlü bakım ve ayarlamalar daima Makita yedek parçaları kullanılarak Makita yetkili servis merkezleri veya Fabrikanın Servis Merkezleri tarafından yapılmalıdır.

Kullanım sonrası

Aleti düzenli aralıklarla kuru bir bez veya sabunlu su ile hafifçe nemlendirilmiş bir bez kullanılarak silin.

İSTEĞE BAĞLI AKSESUARLAR

⚠DİKKAT: Bu aksesuarlar ve ek parçalar bu el kitabında belirtilen Makita aletiniz ile kullanılmak için tavsiye edilmektedir. Herhangi başka bir aksesuar ya da ek parça kullanılması insanlar için bir yaralanma riski getirebilir. Aksesuarları ya da ek parçaları yalnızca belirtilmiş olan kullanım amaçlarına uygun olarak kullanın.

Bu aksesuarlarla ilgili daha fazla bilgiye ihtiyaç duyarmanız durumunda yerdeki yetkili Makita servisine başvurun.

- Alçı panel vida şeridi
- Yıldız tornavida ucu
- Kare tornavida ucu
- Pozidriv tornavida ucu
- Muhafaza
- Orijinal Makita batarya ve şarj aleti

NOT: Listedeki parçaların bazıları alet paketi içerisinde standart aksesuar olarak dahil edilmiş olabilir. Bunlar ülkeden ülkeye farklılık gösterebilir.

Makita Europe N.V.

Jan-Baptist Vinkstraat 2, 3070 Kortenberg, Belgium

Makita Corporation

3-11-8, Sumiyoshi-cho, Anjo, Aichi 446-8502 Japan

www.makita.com



885A60-994
EN, FR, DE, IT, NL,
ES, PT, EL, TR
20231213